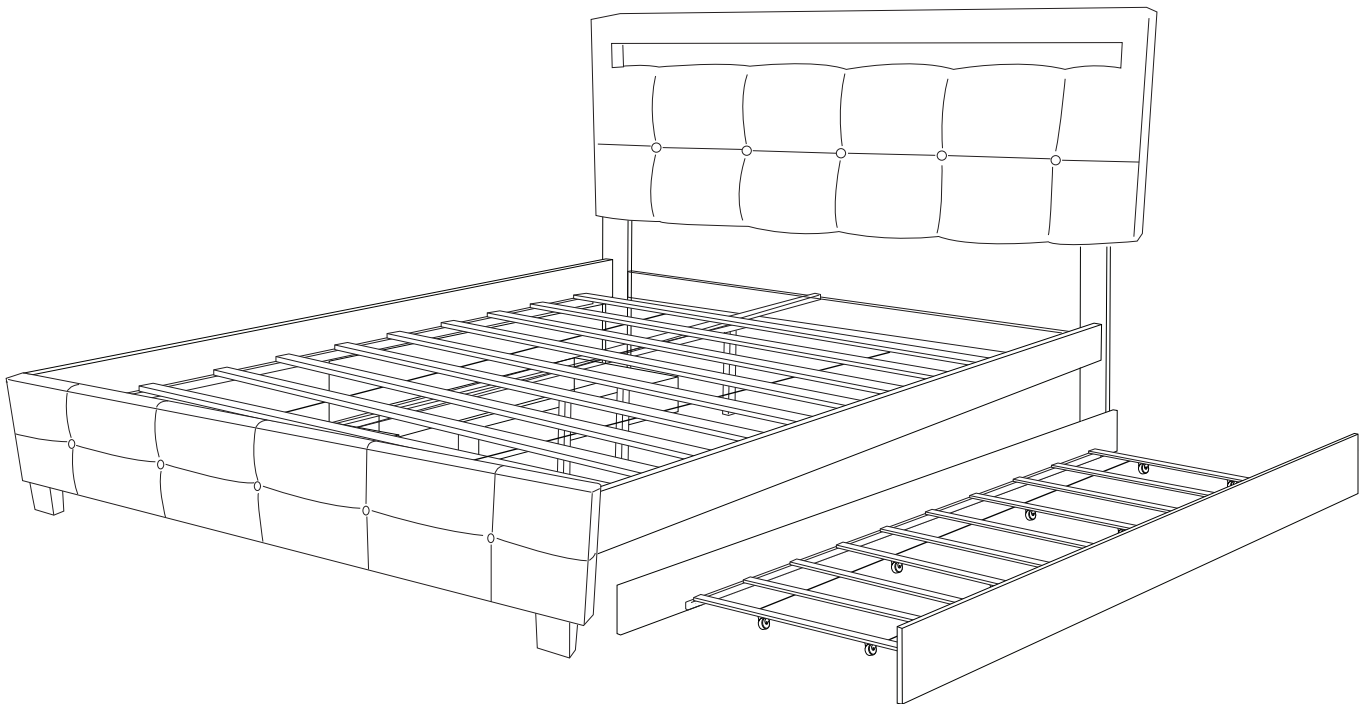
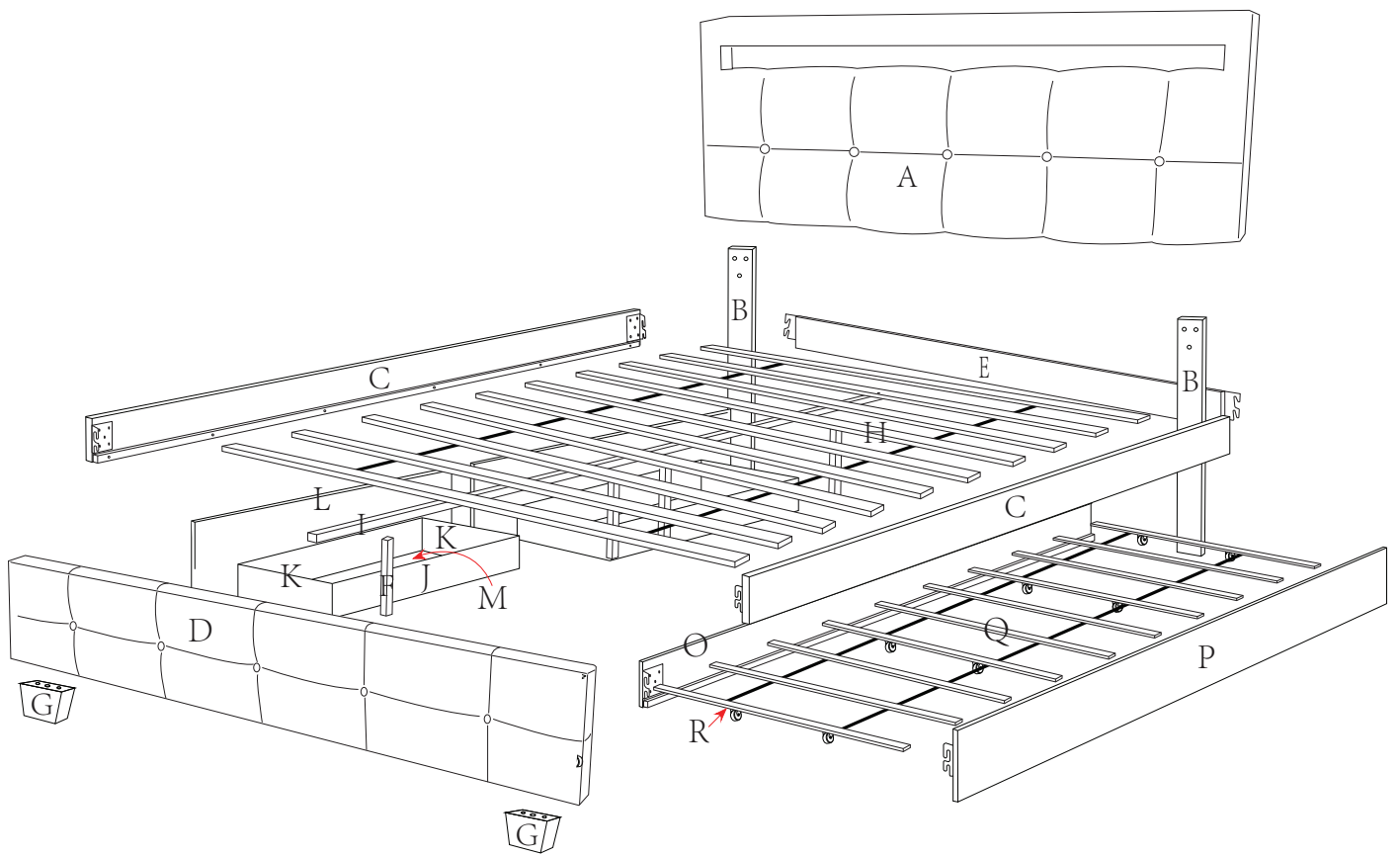


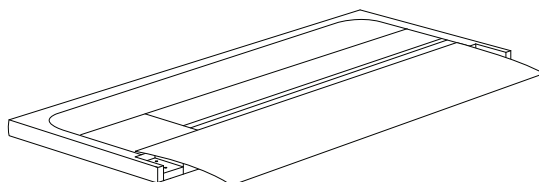
# ASSEMBLY INSTRUCTION

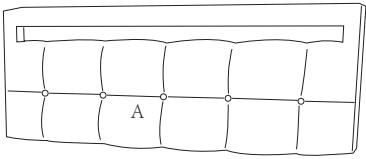
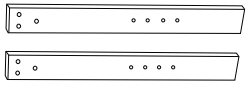

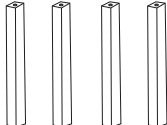
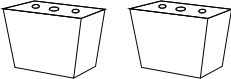
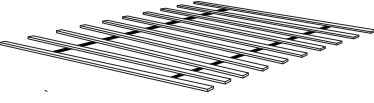
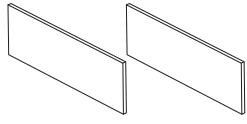
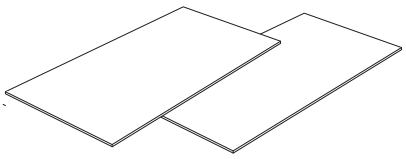
SKU CODE : WF311530 / WF311531  
ITEM : QUEEN LED BED WITH TRUNDLE AND TWO DRAWERS

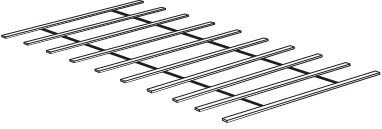
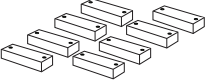


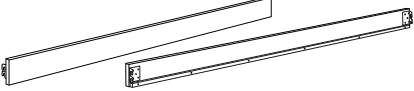
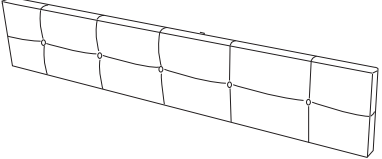
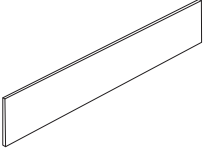

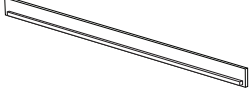
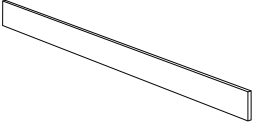
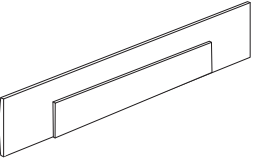


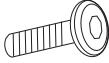

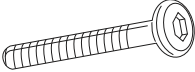
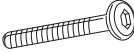
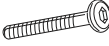
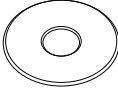

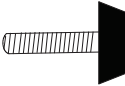

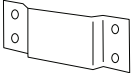
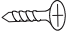

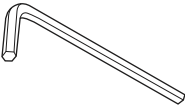
Bed Parts are shipped inside a compartment  
in the back of the headboard.

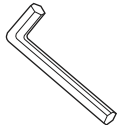
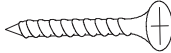



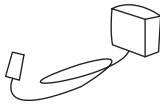
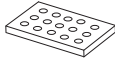


NO	PARTLIST (BOX 1 OF 2) WF311530	QTY
A	Headboard 	1 pc
B	Headboard Leg 	2 pcs
E	Headboard Support Bar 	1 pc
F	Center Support Leg 	4 pcs
G	Bed Leg 	2 pcs
H	Bed Slat Queen 	10 pcs
K	Drawer Side Panel 	4 pcs
M	Drawer Bottom Panel 	2 pcs

NO	PARTLIST (BOX1 OF2) WF311530	QTY
Q	Trundle Bed Slat 	10 pcs
R	Trundle Slat Cube 	8 pcs

	PARTLIST (BOX2 OF2) WF311531	
C	Side Rail 	2 pcs
D	Footboard 	1 pc
J	Drawer Back Panel 	2 pcs
I	Center Support Rail 	1 pc
O	Trundle Long Panel (i) 	1 pc
P	Trundle Long Panel (ii) 	1 pc
L	Drawer Front Panel 	2 pcs

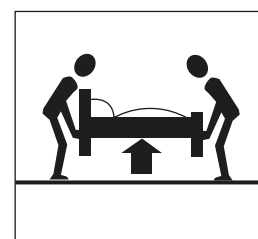
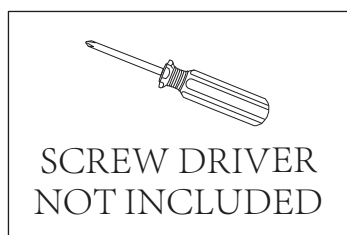
NO	HARDWARE LIST (BOX 2 OF 2) WF311531	QTY
1	JCBB M8 x 20mm 	8 pcs
2	JCBC M6 x 70mm 	2 pcs
3	JCBC M6 x 60mm 	4 pcs
4	JCBC M6 x 40mm 	7 pcs
5	JCBB M8 x 25mm 	4 pcs
6	Flat Washer M6 	7 pcs
7	Dowel M8 	4 pcs
8	Adjuster M6 	4 pcs
9	CSK M4 x 20mm 	10 pcs
10	U-Bracket 	1 pc
11	CSK M3.5 x 16mm 	56 pcs
12	CSK M4 x 30mm 	40 pcs
13	Allen Key M4(100mm) 	1 pc

NO	HARDWARE LIST (BOX2 OF 2) WF311531	QTY
14	Allen Key M5(65mm) 	1 pc
15	CSK M4 x 38mm 	16 pcs
16	Wheel 	16 pcs
17	CSK M4 x 32mm 	16 pcs
18	Stopper 	6 pcs
19	Adapter 	1 pc
20	Remote 	1 pc

Read this instruction carefully. Remove all wrapping material, staples and straps from the carton. See hardware and furniture part list for guidance. Be sure you have all wooden furniture parts on a clean and flat surface, such as carpet or rug, to prevent from being scratched.

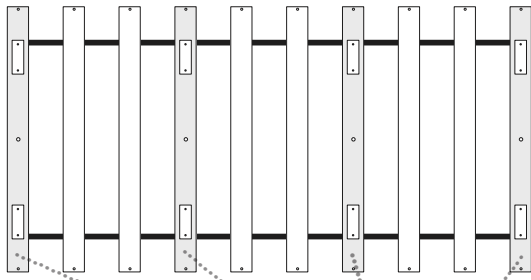
**CAUTION :**

1. Do not Full Tighten the nut or screw until all ready to assemble.
2. Do not Over Tighten the nut or screw to avoid causing damages to the thread.
3. Keep all hardware part out reach of children.

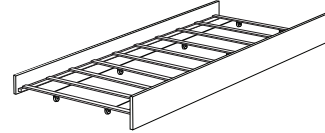


**STEP 1** Trundle Bed x 1 pc

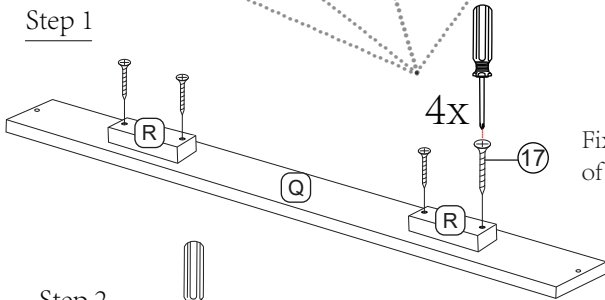
11	12	16	17
32 pcs	20 pcs	8 pcs	16 pcs



COMPLETED ASSEMBLY

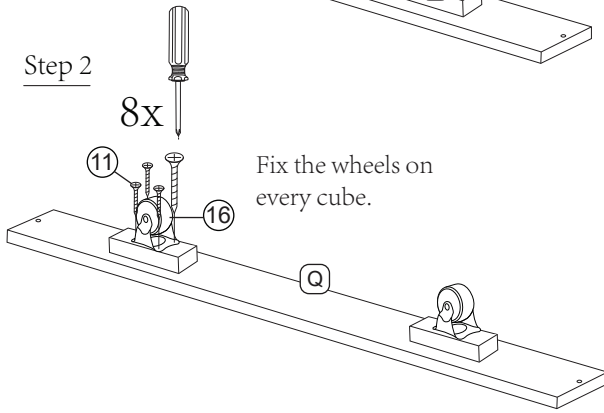


Step 1

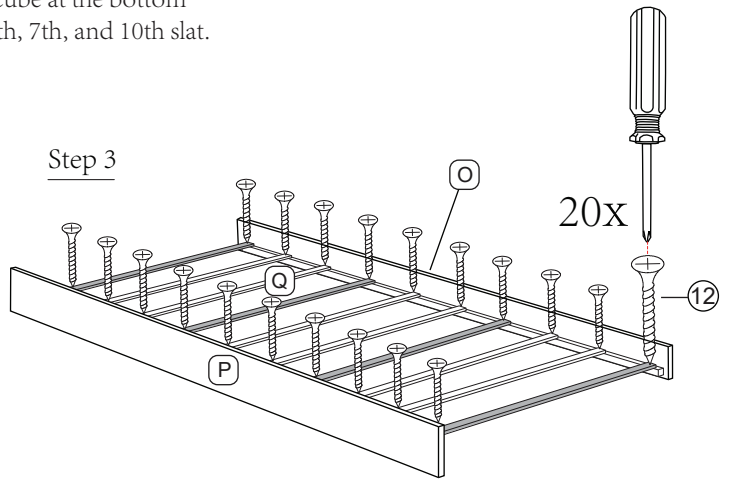


Fix the cube at the bottom of 1st, 4th, 7th, and 10th slat.

Step 2



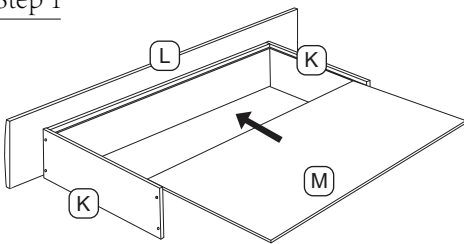
Step 3



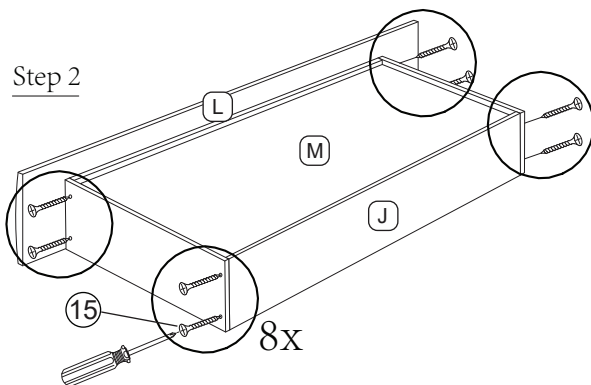
**STEP 2** Drawer x 2 pcs

11	15	16
24 pcs	16 pcs	8 pcs

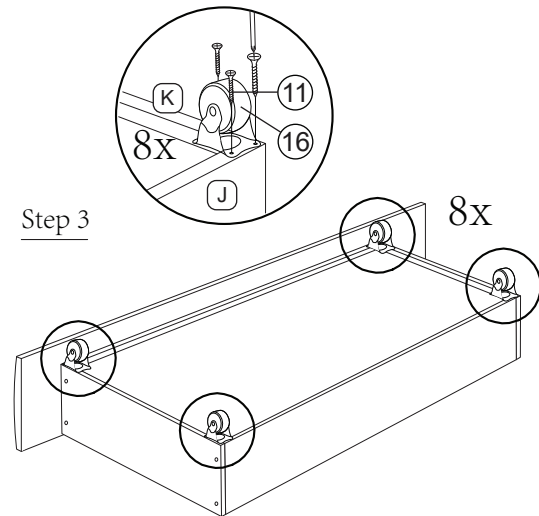
Step 1



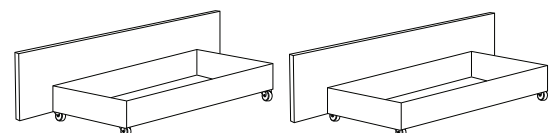
Step 2




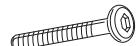


Step 3

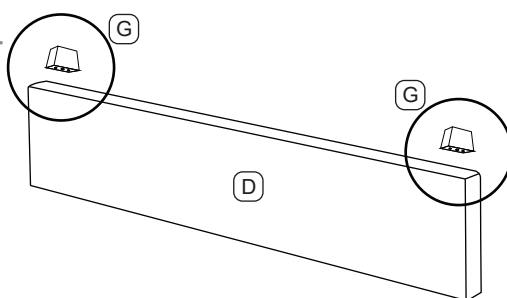
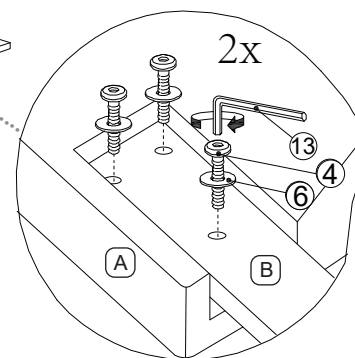
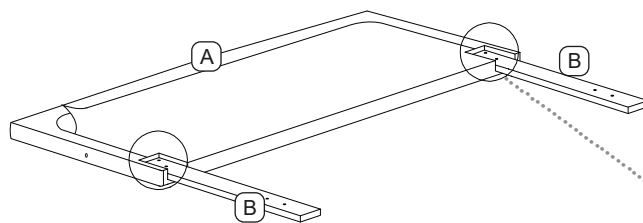
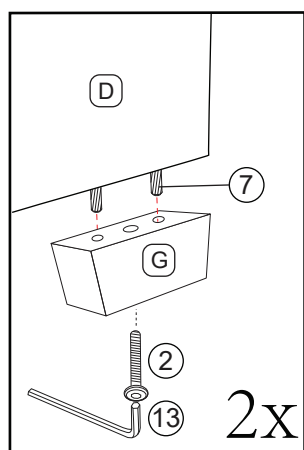


COMPLETED ASSEMBLY

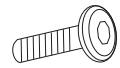


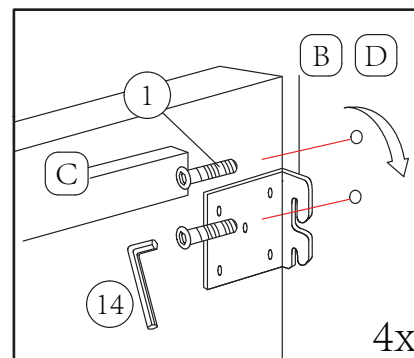
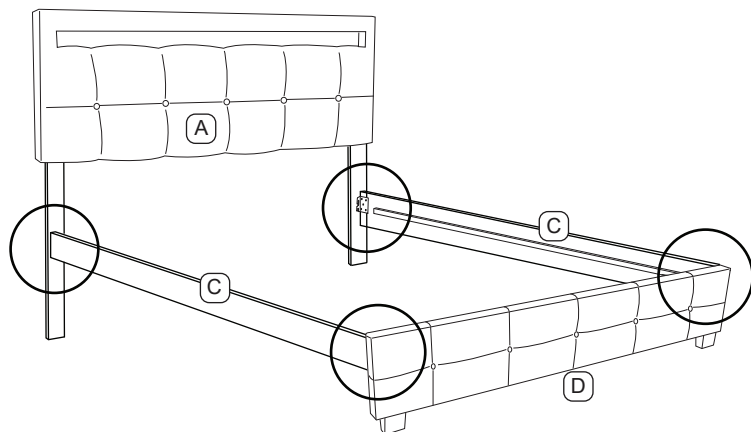
STEP 3

2	4	6	7
			
2 pcs	6 pcs	6 pcs	4 pcs

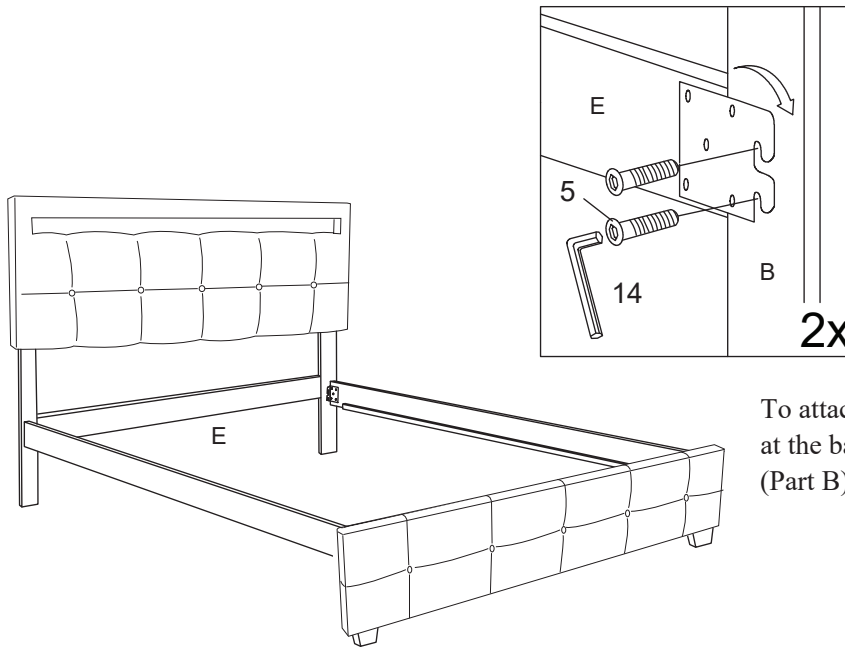
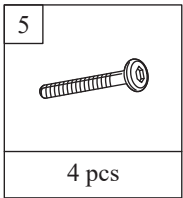


STEP 4

1

8 pcs



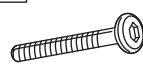


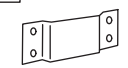

**STEP 5**



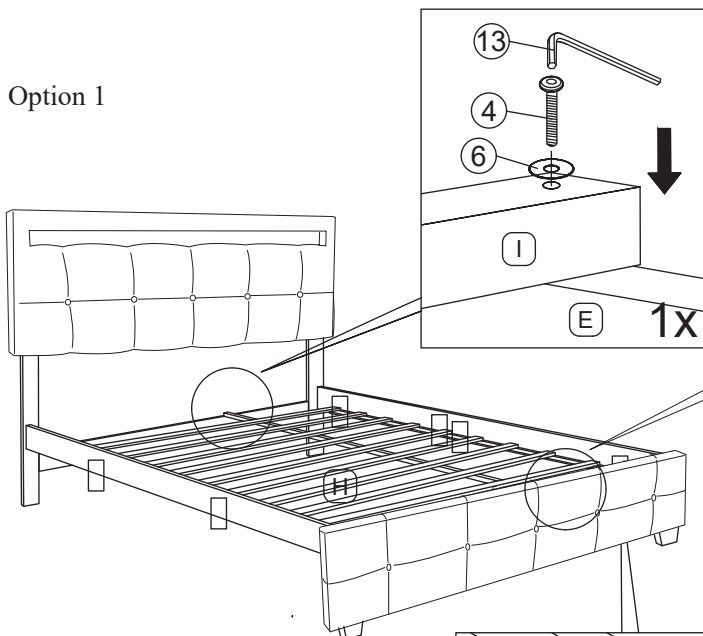
To attach the Headboard Support Bar at the backside to the Headboard Leg (Part B).

**STEP 6**

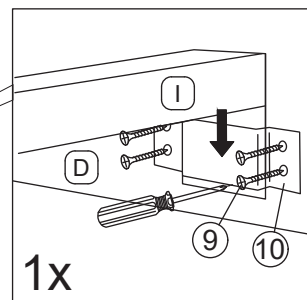
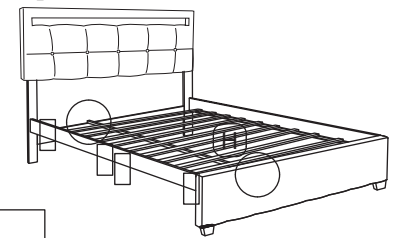
Decide the side for trundle bed & drawers

4	6	9	10	18
				
1 pc	1 pc	10 pcs	1 pc	6 pcs

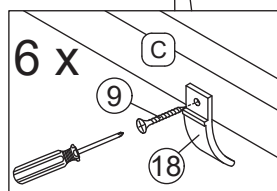
Option 1



Option 2

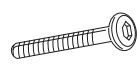

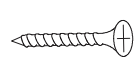


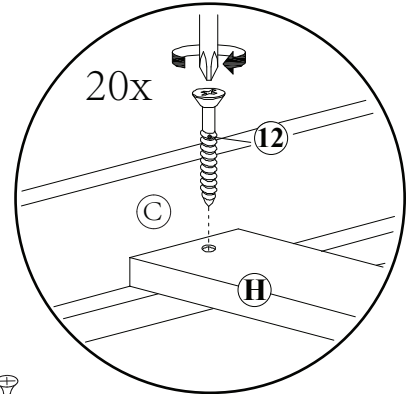
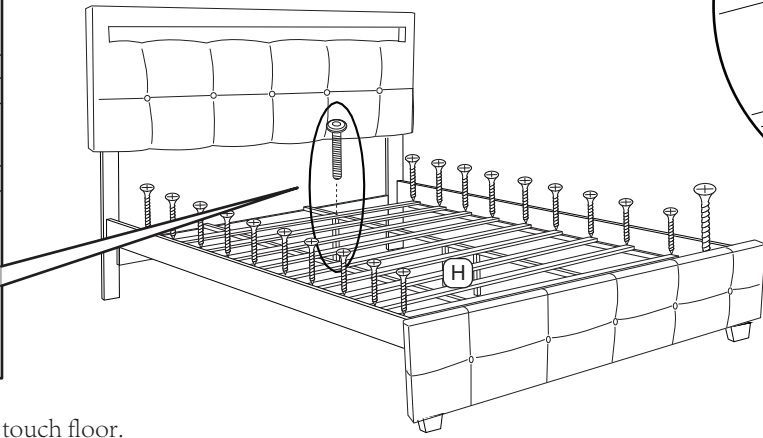
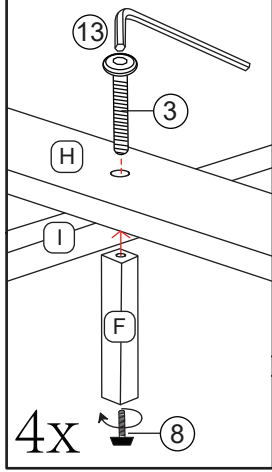
Follow the marking to attach the U-Bracket with Screw 20mm (4PCS) at Footboard.



Optional:  
Add drawer stopper

STEP 7

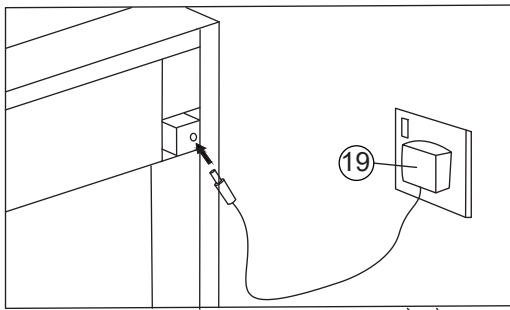
3	8	12
		
4 pcs	4 pcs	20 pcs

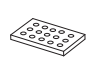
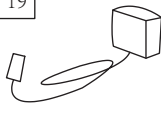


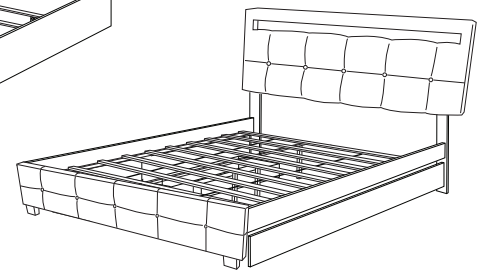
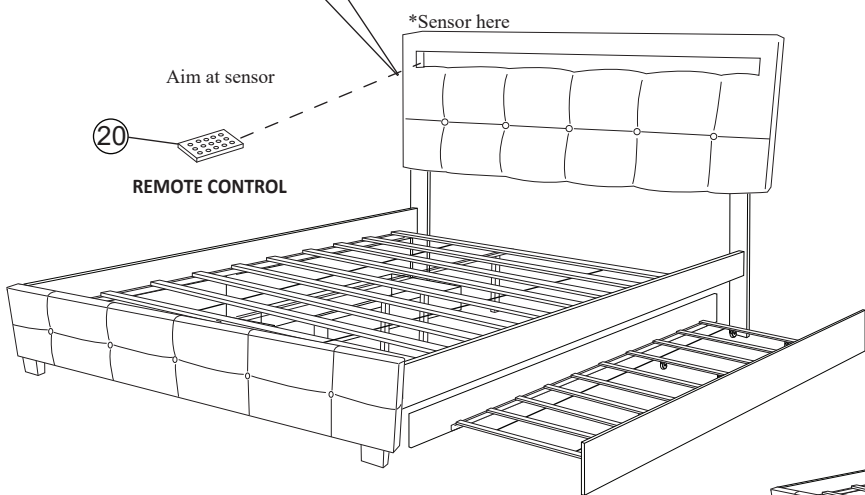
Adjust slat leveling feet to touch floor.

STEP 8

\*Backside of headboard



20	19
	
1 pc	1 pc



COMPLETED ASSEMBLY  
Lastly, place the drawers inside.