

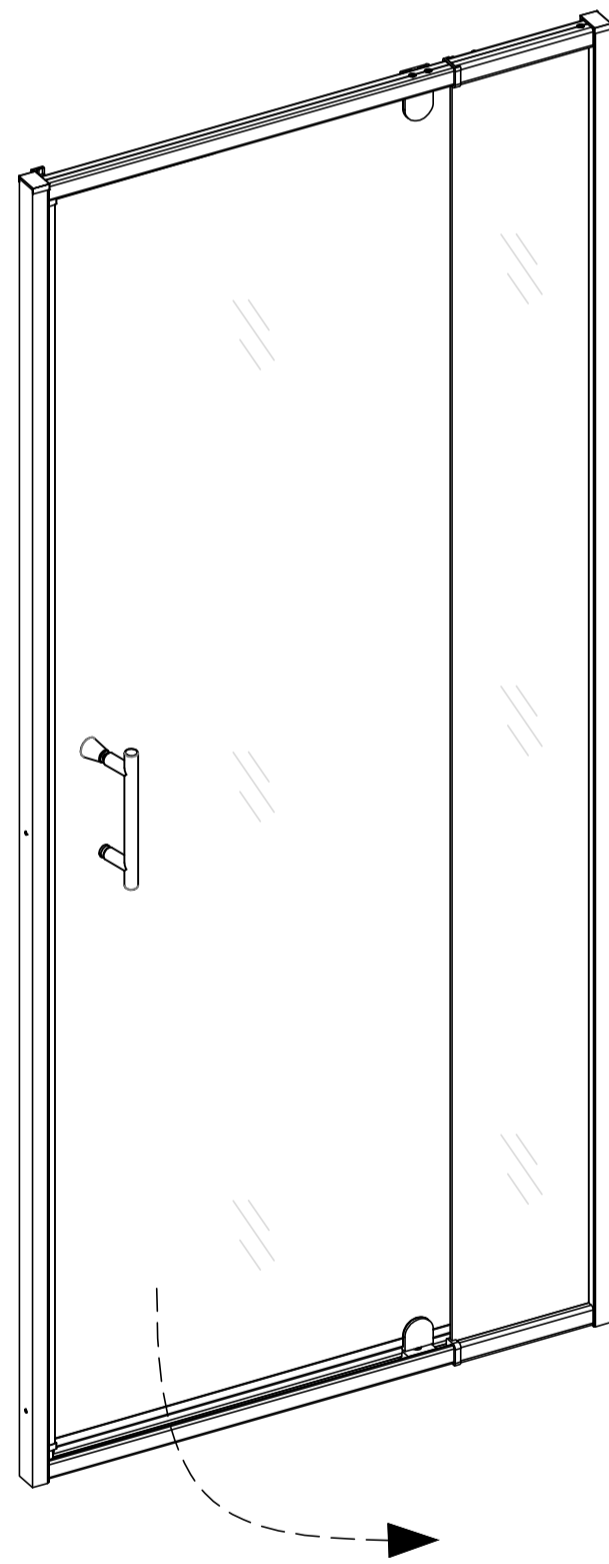
INSTALLATION GUIDE

CAUTION: To reduce the risk of breakage, keep corner protectors on glass while installing. Keep corner protectors for use in case future adjustments are needed. Consult your local plumbing codes prior to installation.

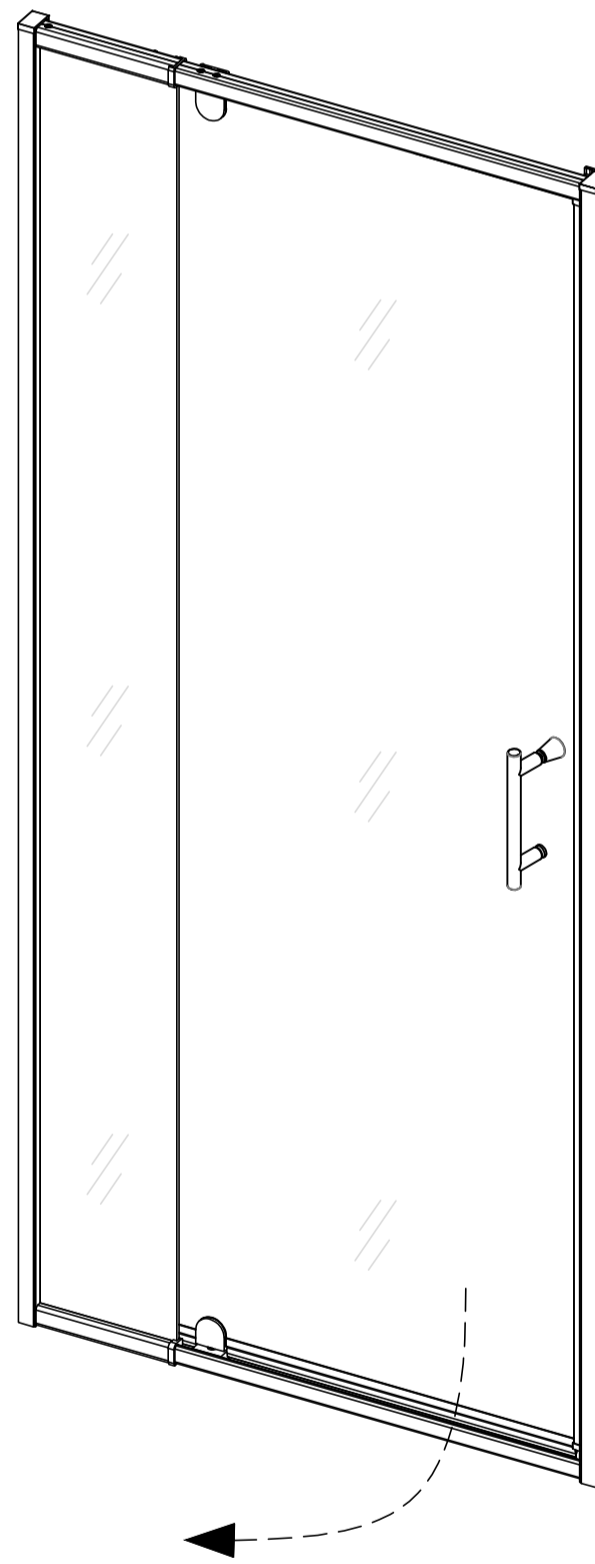
Recommended Clearance Heights for Installation:
71 inches (180.3 cm)

Recommended Width for Installation:
42-inch enclosure: 38" ~42" inches (96.5- 106.7 cm)
48-inch enclosure: 44" ~48" inches (111.8- 121.9 cm)
54-inch enclosure: 50" ~54" inches (127- 137.2 cm)
60-inch enclosure: 56" ~60" inches (142.2- 152.4 cm)

MODEL:
0024271MB06C
0024271CH06C
0024871MB06C
0024871CH06C
0025471MB06C
0025471CH06C
0026071MB06C
0026071CH06C



Left-hand door installation shown



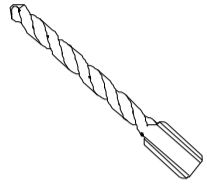
Right-hand door installation shown



NOTE: This model is reversible for left or right-hand door installation. This manual will show the Right-hand door installation as an example throughout.

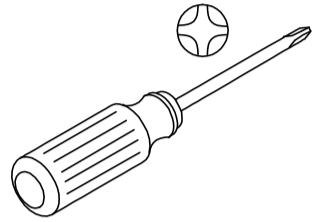
TOOLS REQUIRED

Drill Bits

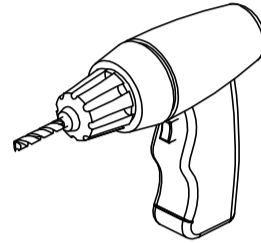


Ø1/4" (6mm) & Ø1/8" (3mm) dia.
HSS

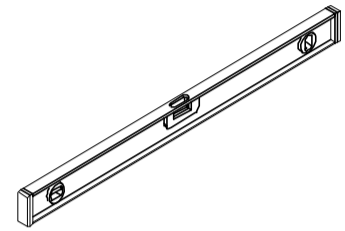
Screw Driver



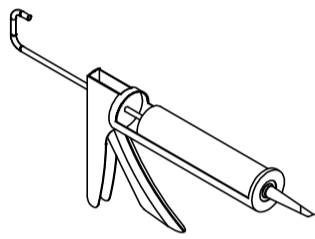
Drill



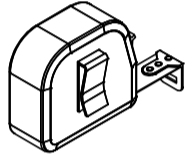
Level



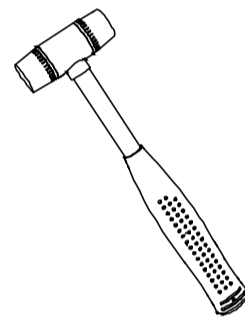
Silicone



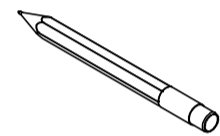
Measuring Tape



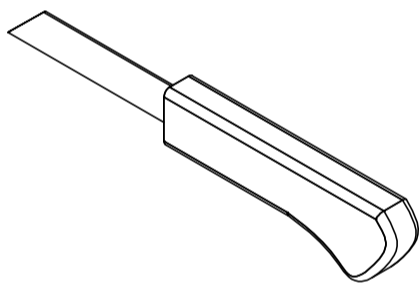
Soft Head Hammer



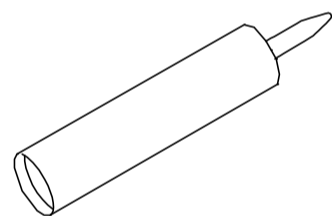
Pencil



Knife



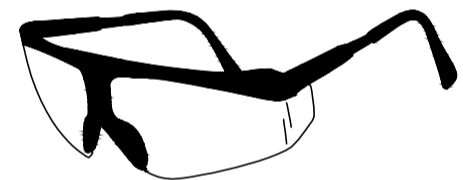
Sealant



MASONRY DRILL BIT FOR TILE Ø6mm



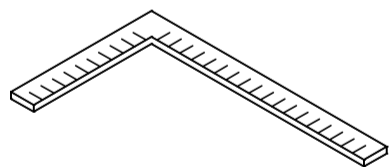
Safety Glasses



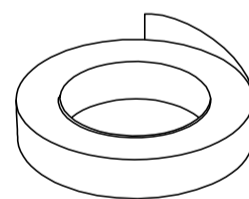
Glove



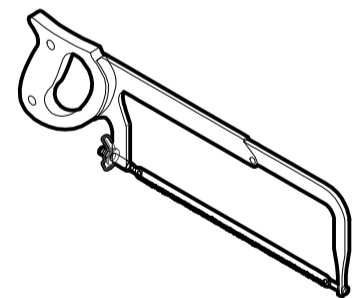
Carpenter's Squarer



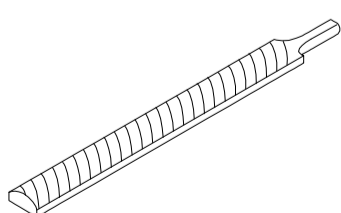
Masking or painter's tape



Hack Saw



Metal File



CAUTION: When cutting or drilling metal components or when handling glass, to reduce the risk of personal injury, protective eye wear, gloves, and closed-toe shoes are required.

SAFETY INFORMATION

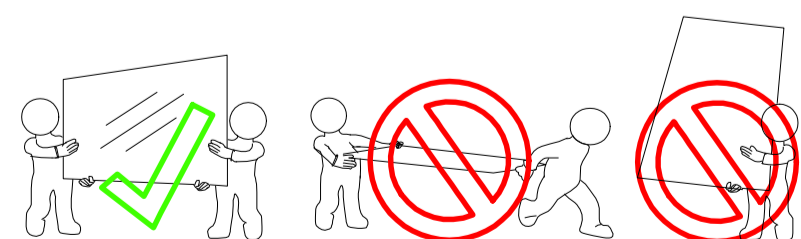
CAUTION

Please carefully read the following important safety information before handling or installing this shower. There is a risk of serious injury while handling this product.

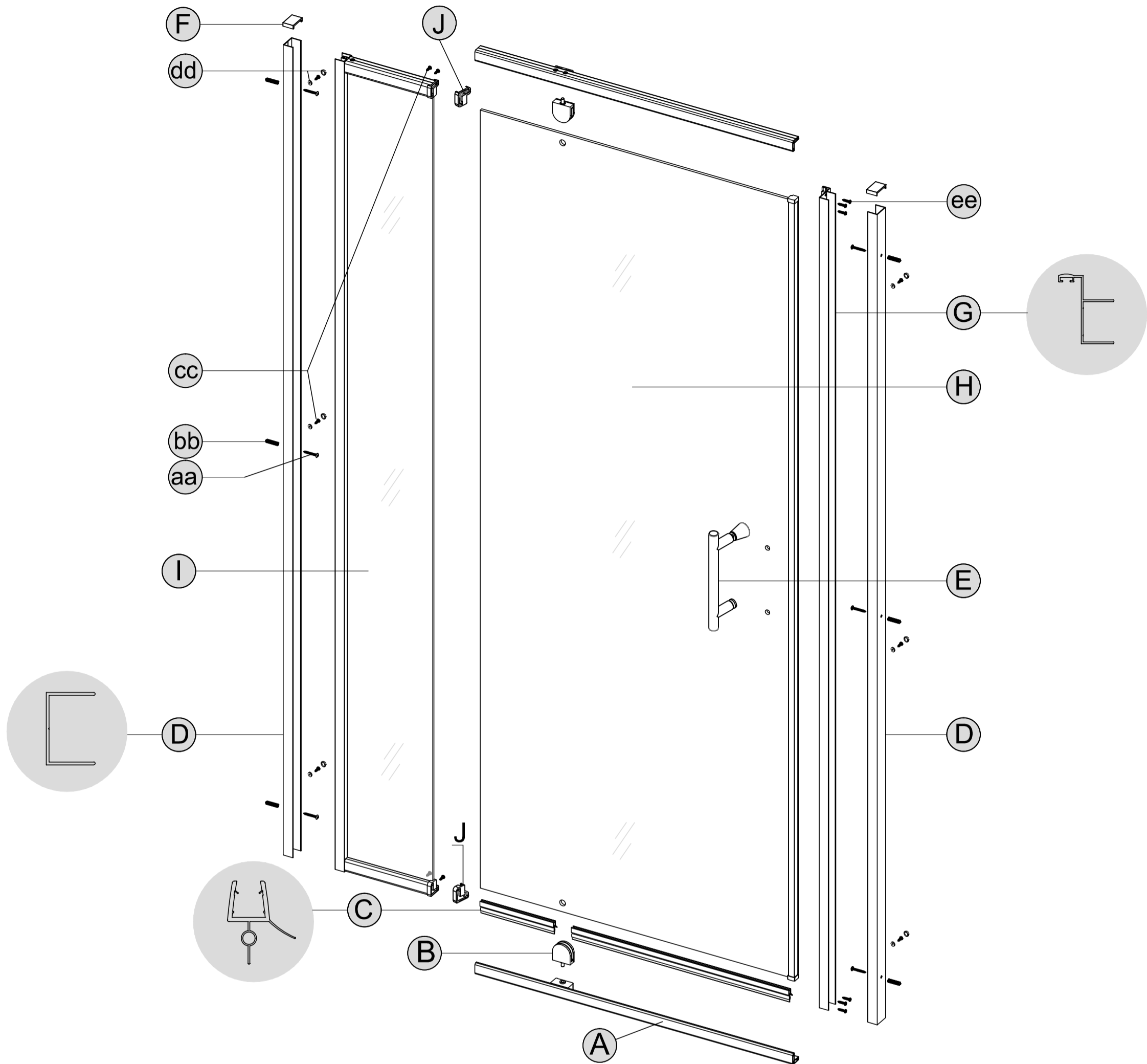
To minimize these risks, please note:

- Always wear safety glasses and gloves while handling.
- Always follow the installation instructions.
- Inspect glass for damage before installation.
- Extreme caution should be taken while handling the glass during installation as the tempered glass may shatter if in contact with a hard surface.
- Do not cut or modify the tempered glass as it will shatter if cut.
- Carefully remove product from packaging and keep packaging until installation is complete.
- Inspect all parts for damage or missing; if there is damage or part missing to the unit prior to installation, please contact customer service at the number provided in this guide.
- Cover the drain with tape to prevent the loss of small parts.
- The shower base and finished walls should be installed before beginning the shower door installation.
- During the installation, protect the shower floor with a drop cloth to avoid damage.
- This product should be installed by two people who are familiar with construction requirements. Professional installation is recommended!
- Keep this installation manual for future reference.

NOTE: Two people should perform this installation.



DOOR ASSEMBLY



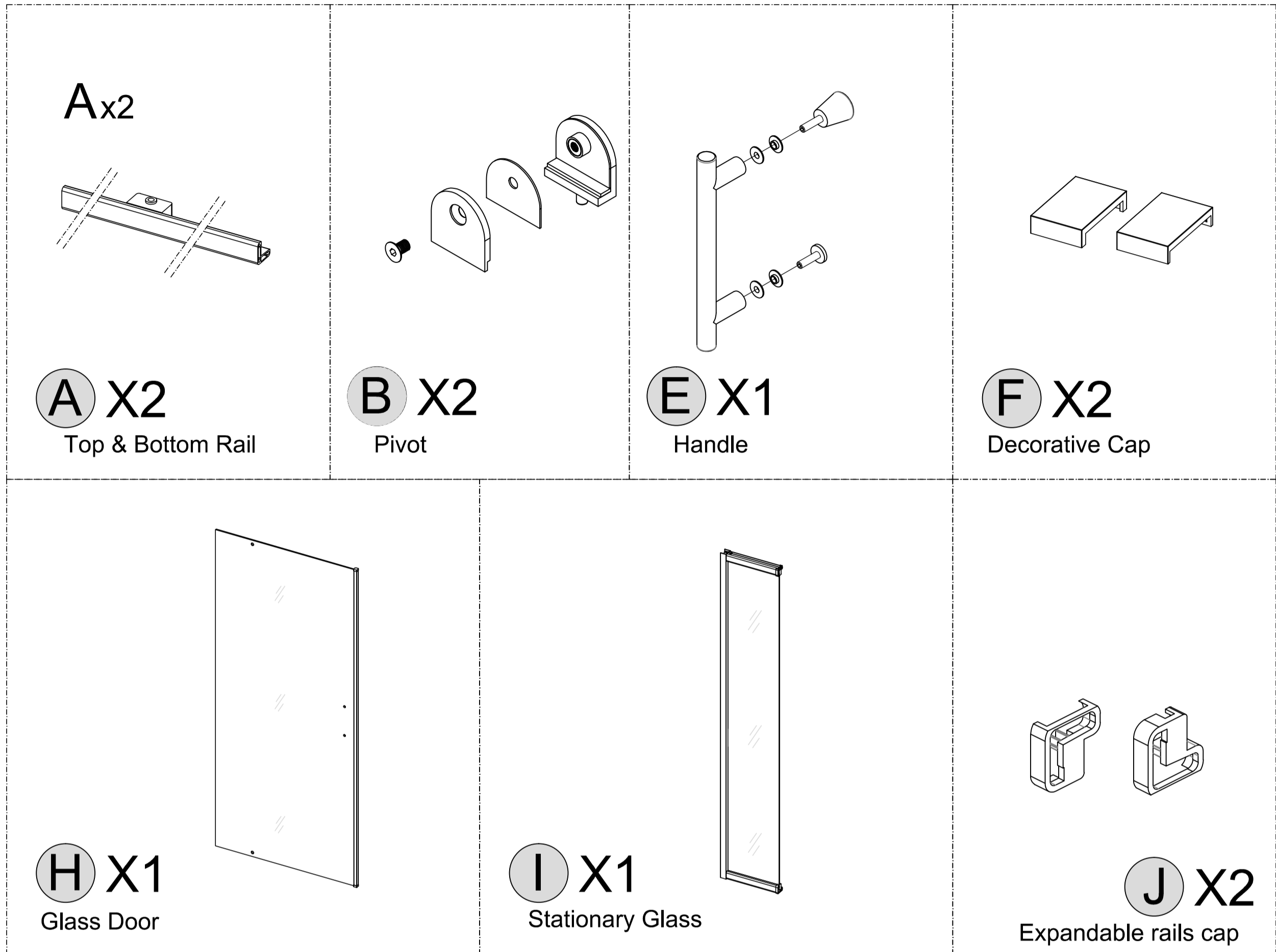
PACKAGE CONTENT

PART#	DESCRIPTION	QTY	PART#	DESCRIPTION	QTY
A	Top & Bottom Rail	2	G	Magnetic Strike Profile	1
B	Pivot	2	H	Glass Door	1
C	Bottom Anti-water Strip	2	I	Stationary Glass	1
D	Wall Jamb	2	J	Expandable rails cap	2
E	Handle	1			
F	Decorative Cap	2			

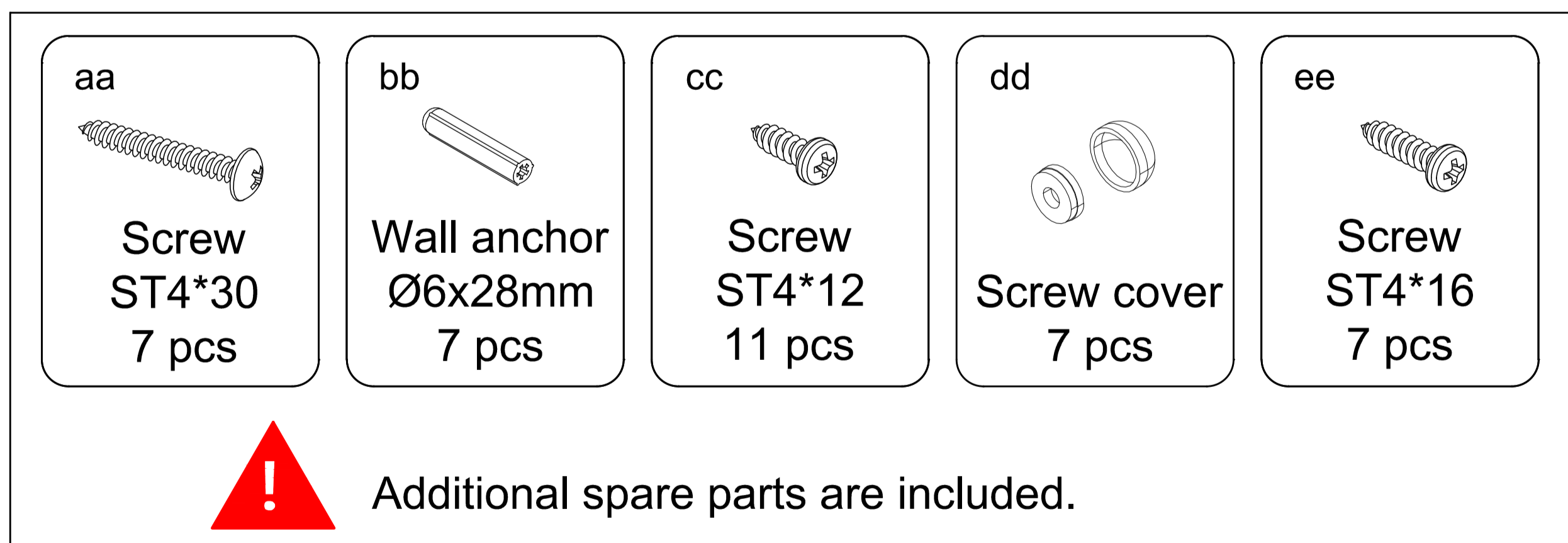
**Inspect all parts for missing prior to installation!
 Contact us for any part missing.**

CARTON PARTS IDENTIFICATION

See following pages for detailed component diagrams



HARDWARE CONTENT



**NOTE: Inspect all parts for missing prior to installation!
Contact us for any part missing.**

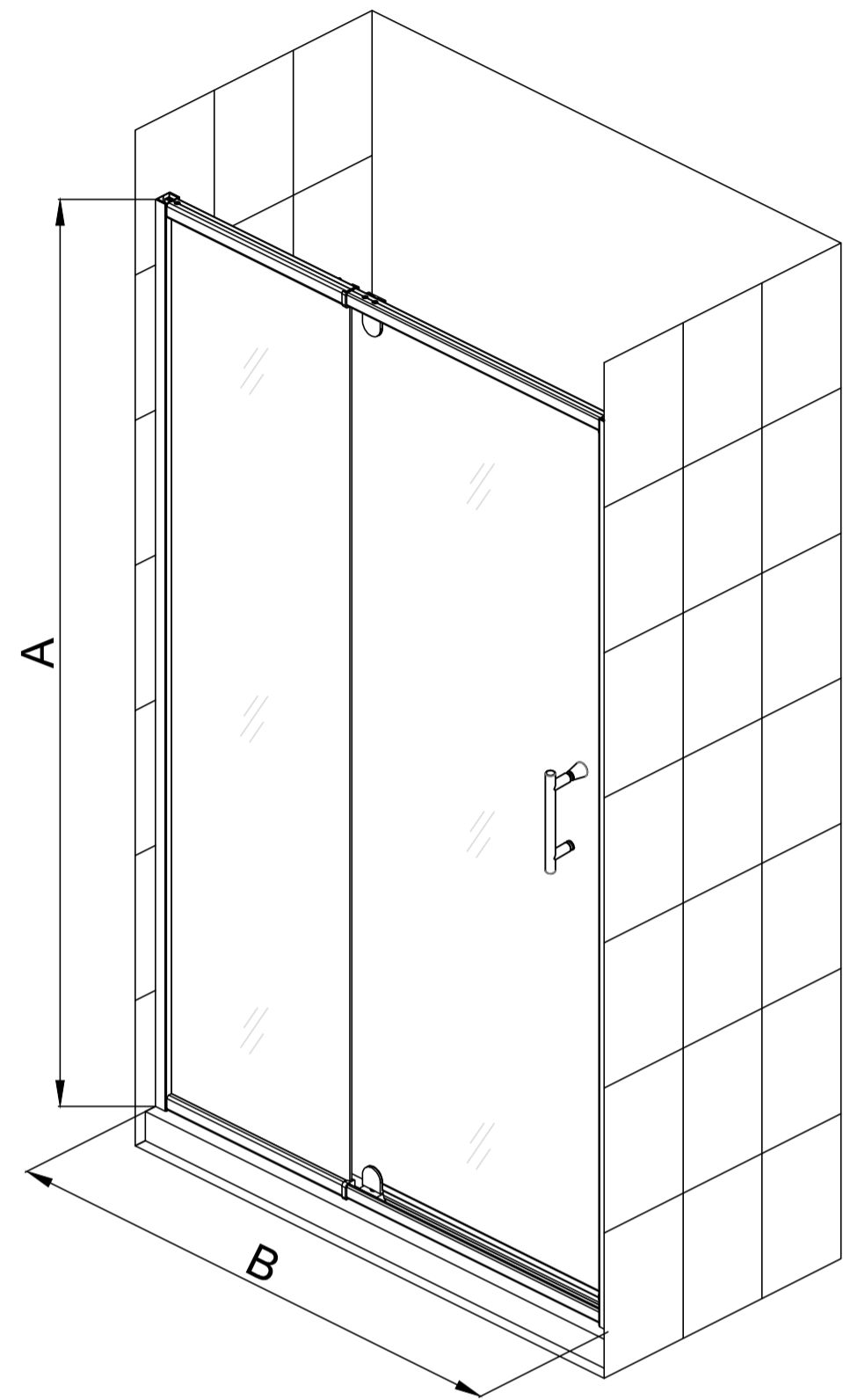


CAUTION: To avoid personal injury or property damage, identify components and read all instructions before installing.

Model Dimensions

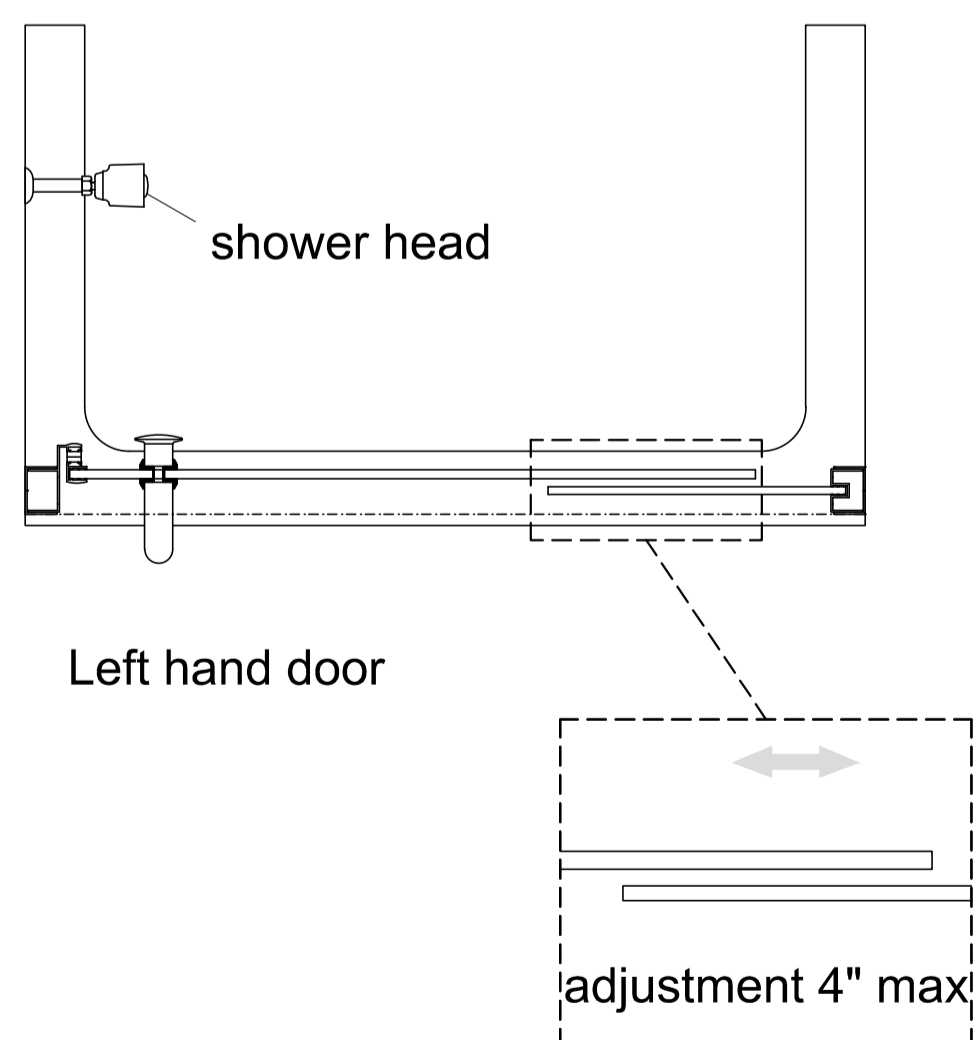
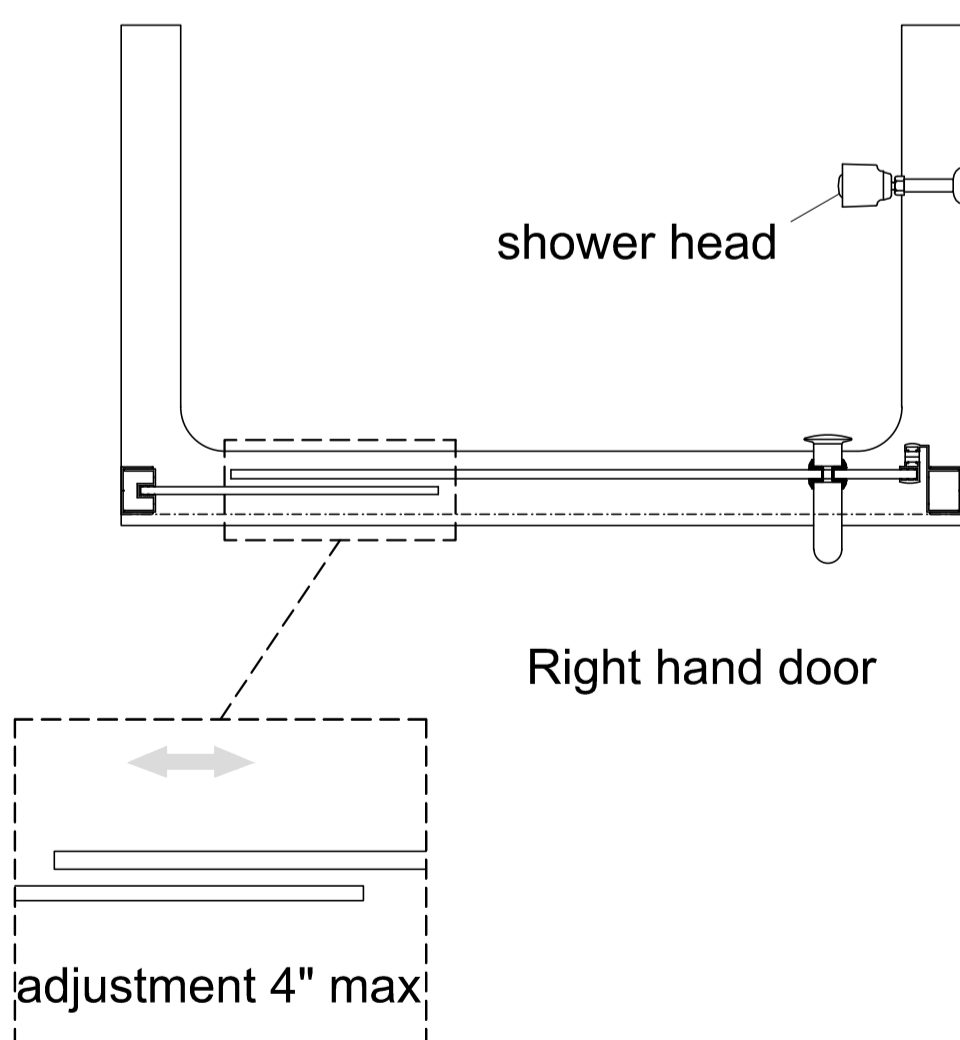
configuration dimensions:

A Product Height	B Model width	Installation width
71"	42"	38" ~42"
	48"	44" ~48"
	54"	50" ~54"
	60"	56" ~60"



NOTE

This model is reversible for right or left-hand door installation. The Right-hand door installation is shown throughout this manual. For the Left-hand door installation, simply begin on the opposite wall and reverse the orientation of the installation steps shown.



Model Specific Preparation

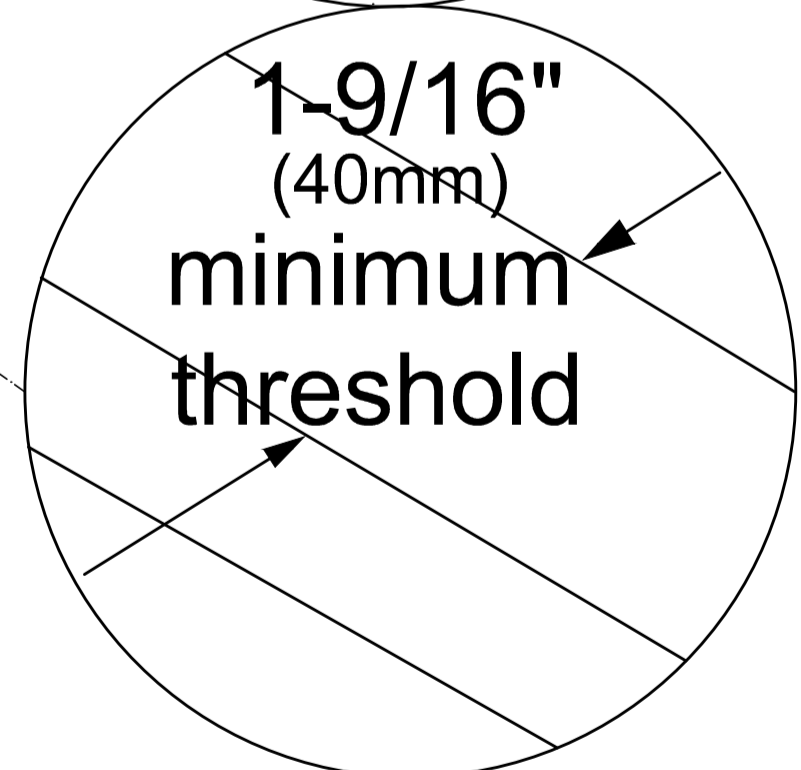
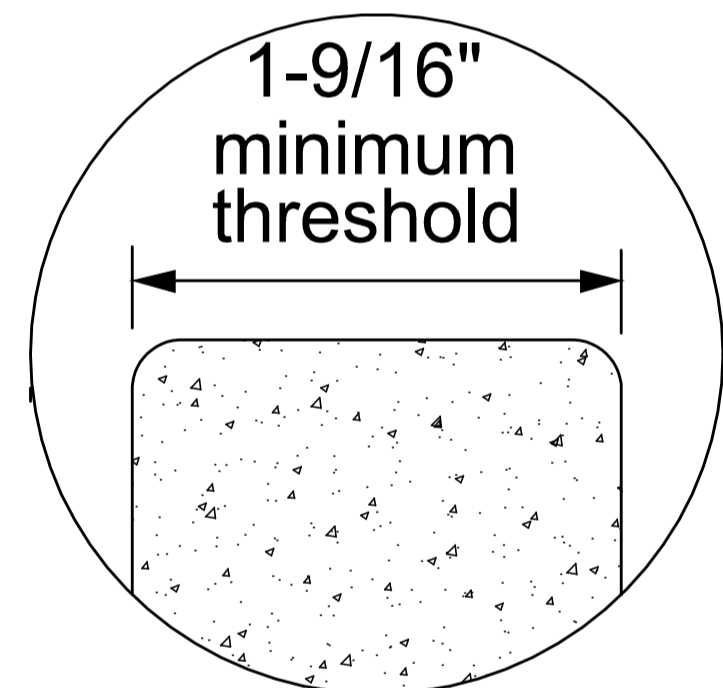
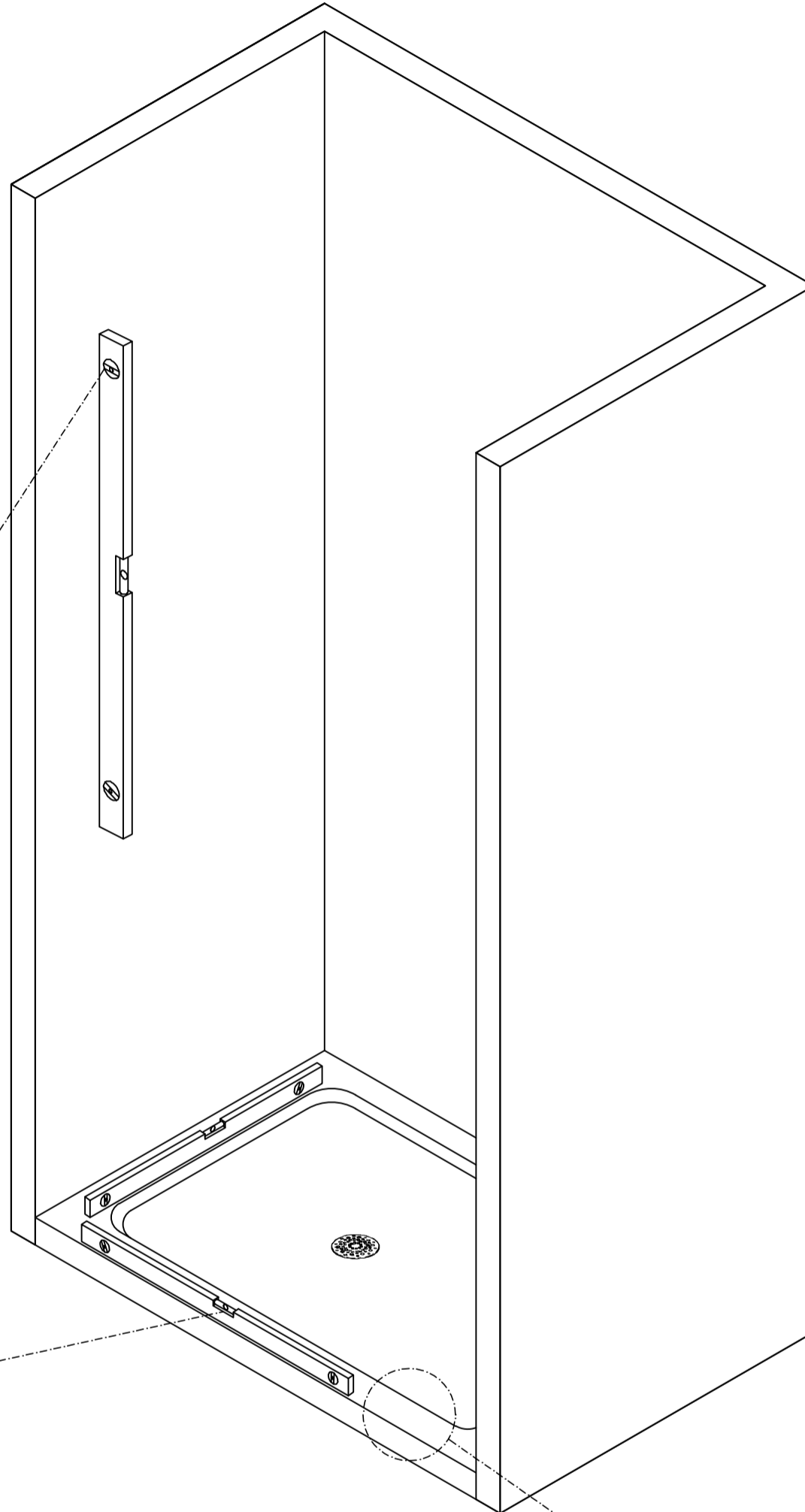
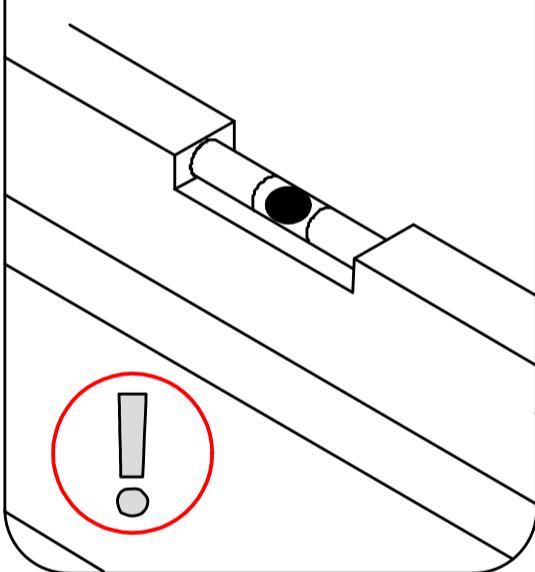


REQUIRED:

Verify threshold and wall with a level.

1/2" (12mm)
Out-of-Plumb
Adjustment within
the Wall Profile.

Threshold must be level



1 Top & Bottom Rails (A) & Expandable rails cap(J) Installation

NOTE

1. Insert the expandable rails cap (J) into the expandable rails of the **Stationary Glass (I)**.
2. Insert the **Top & Bottom Rails (A)** into the expandable rails of the **Stationary Glass (I)**.
Insert the end that is closest to the pivot base. (Fig 1)

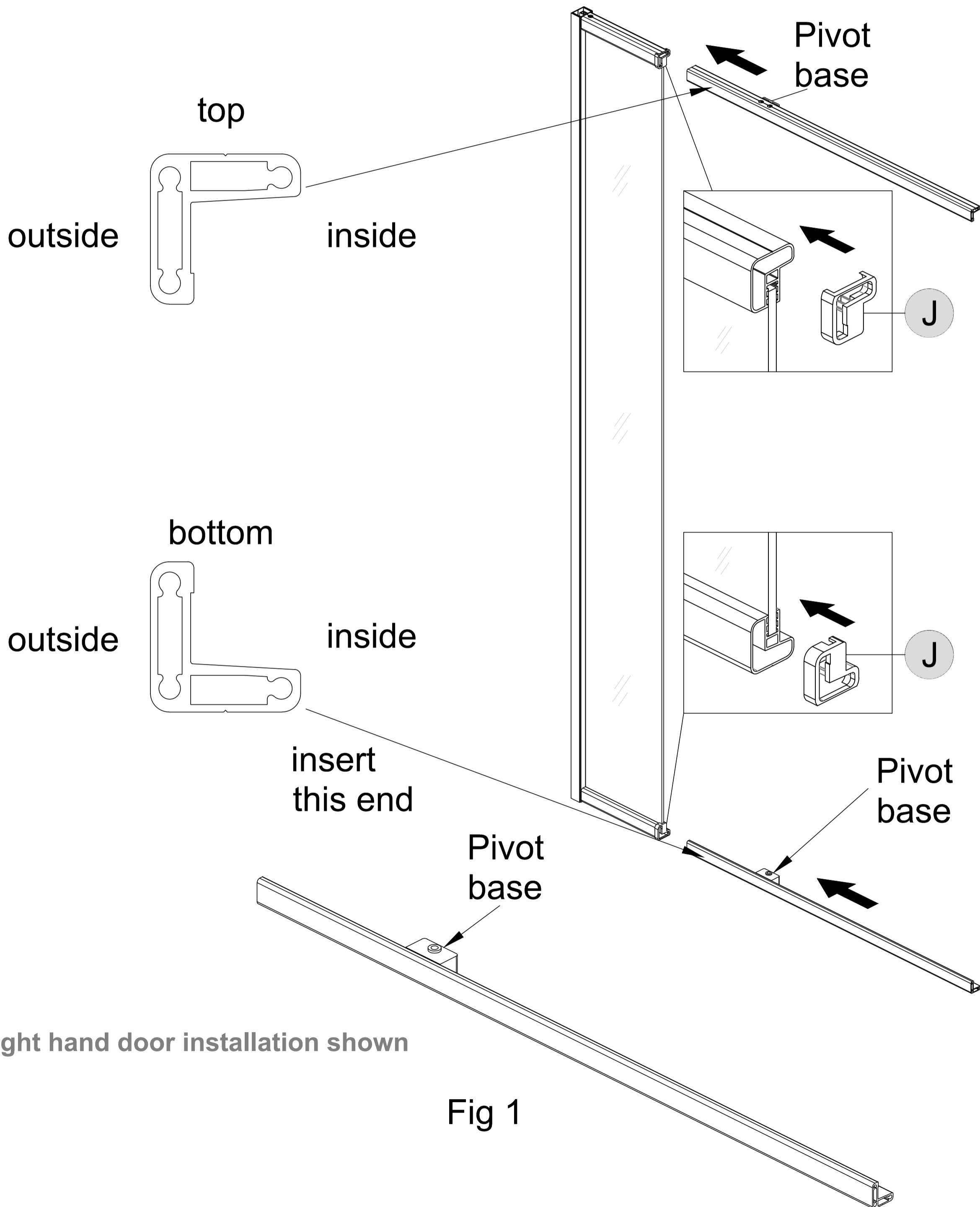
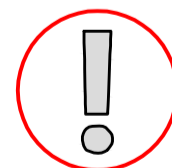
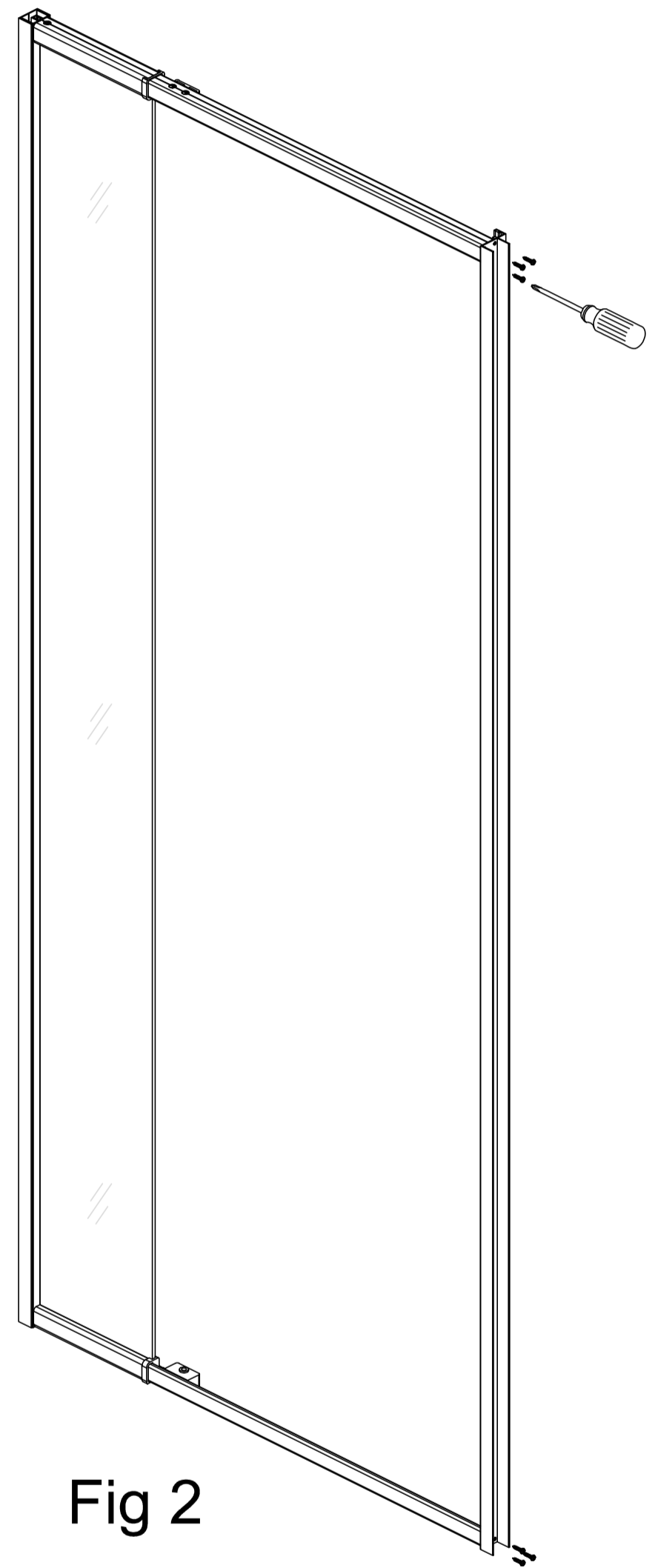
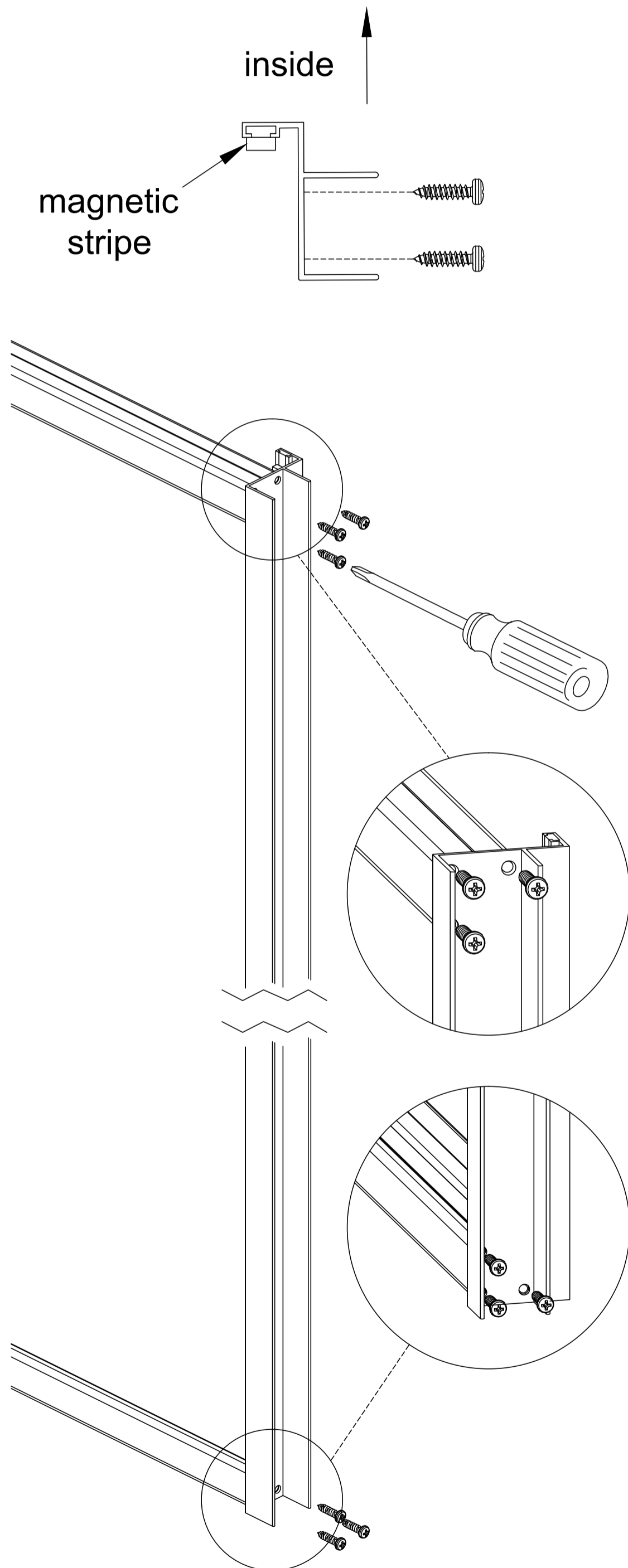


Fig 1

2 Magnetic Strike profile (G) Installation

NOTE

Attach the **Magnetic Strike Profile (G)** to the **Top & Bottom Rails (A)** using 6pcs of the **ST4 x 16 Screws (ee)**. (The side with magnetic stripe is inside) (Fig 2)



TIP: Apply some wax or dish soap to the screws to make assembly easier and to prevent stripping the screws.

3 Wall Jamb (D) Installation

NOTE

Slide both of the the **Wall Jamb (D)** over the frame assembly. Be sure that the flange on the **Magnetic Strike Profile (G)** faces towards the shower. (Fig 3)

NOTE

At this point, the entire assembly can be flipped for either left or right hand door installation. However, the flange on the wall profiles must face into the shower. (Fig 4)

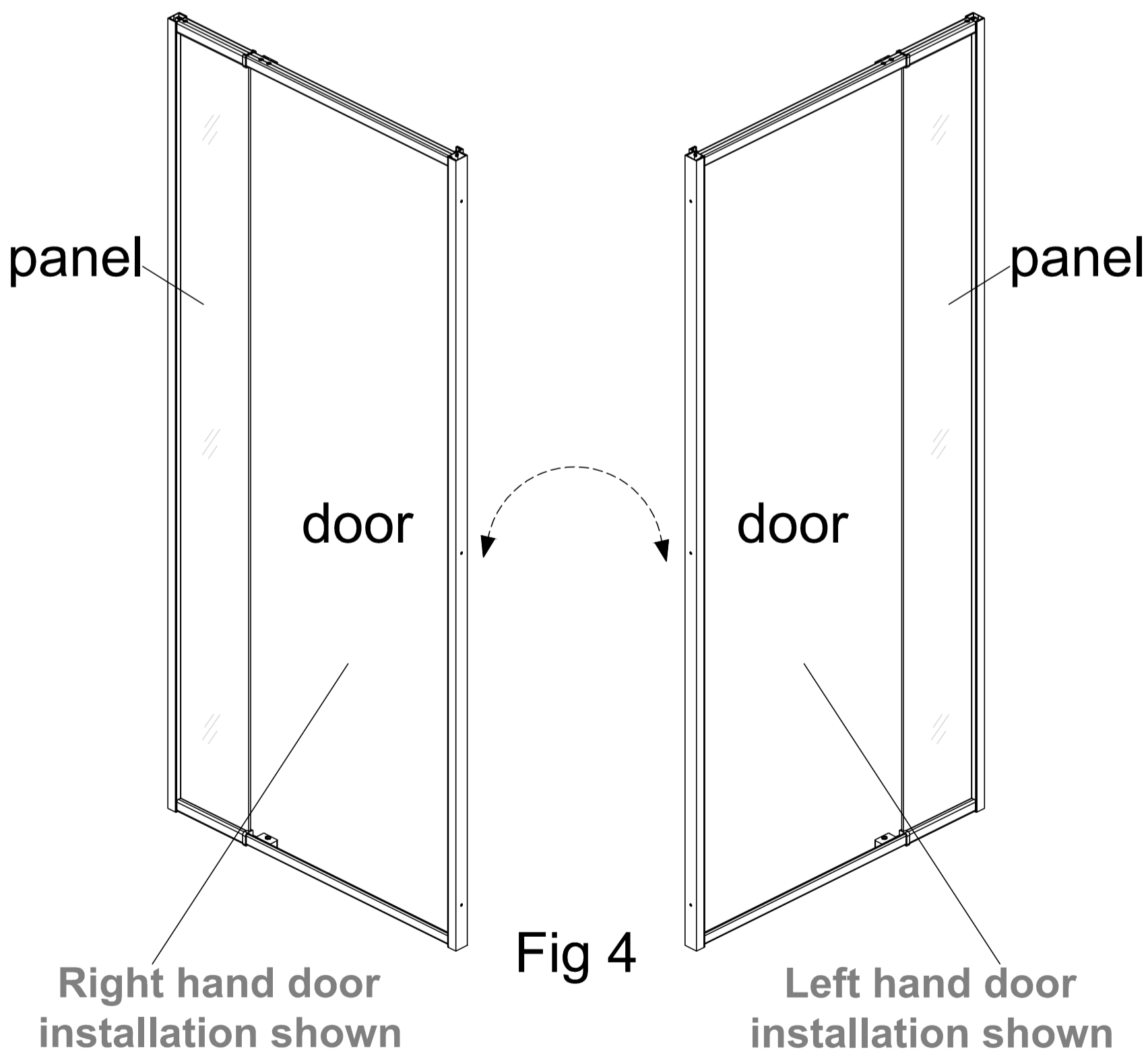


Fig 4

Right hand door installation shown

Left hand door installation shown

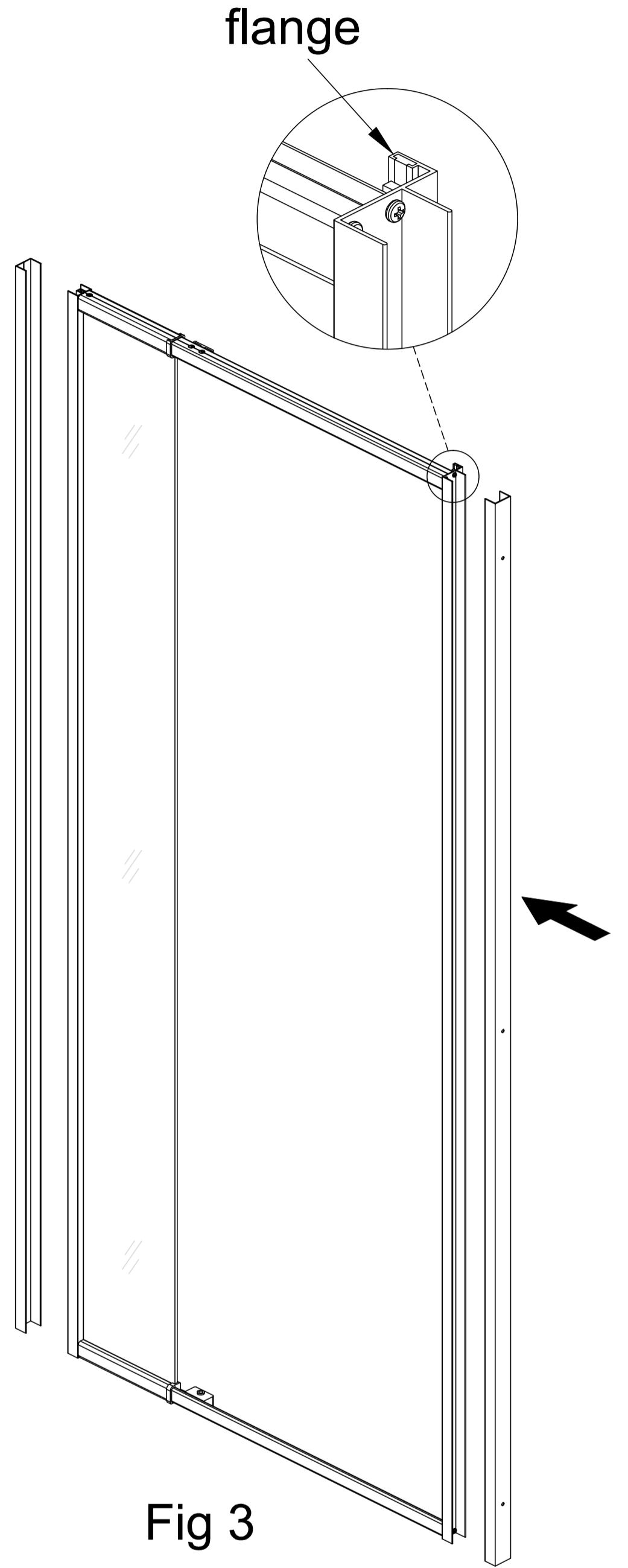


Fig 3

4 Door Assembly Adjustment

JTE

Place the assembly onto the threshold at the desired location and extend the expandable **Top & Bottom Rails (A)** evenly. (Fig 5)

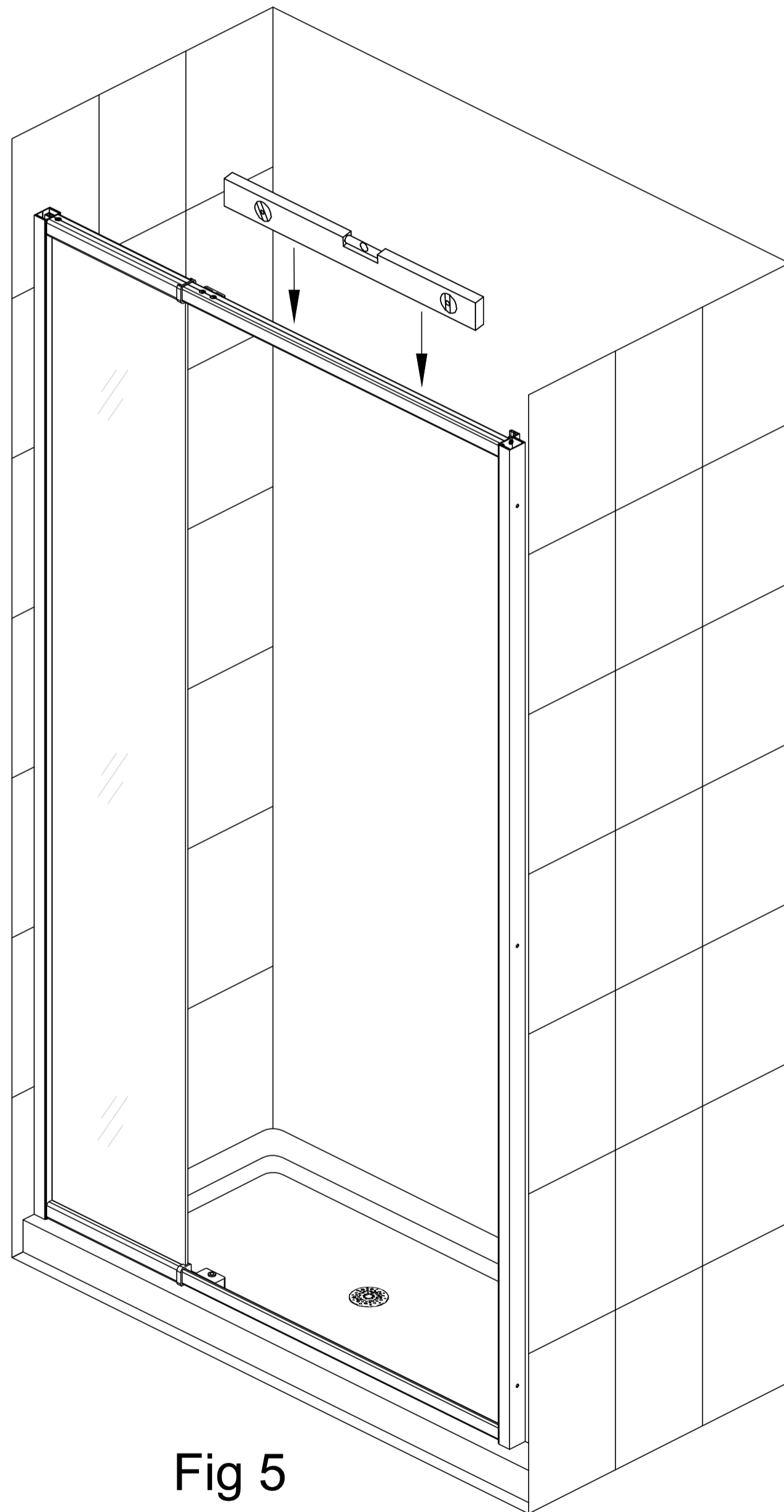
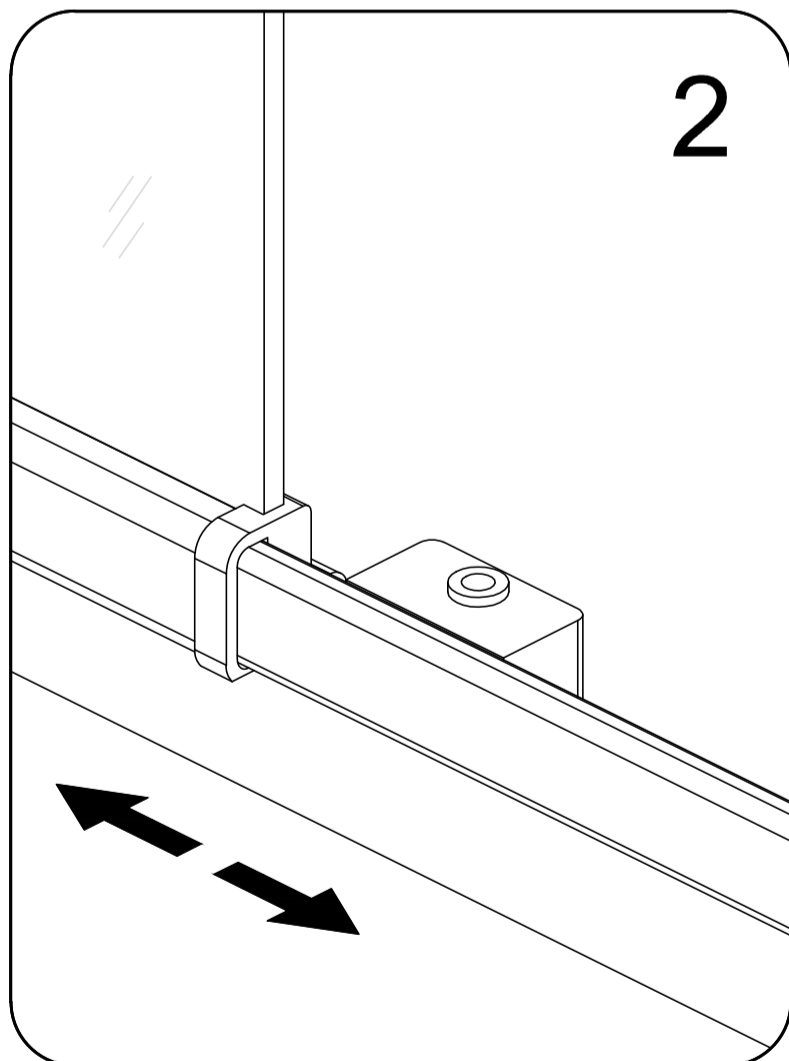
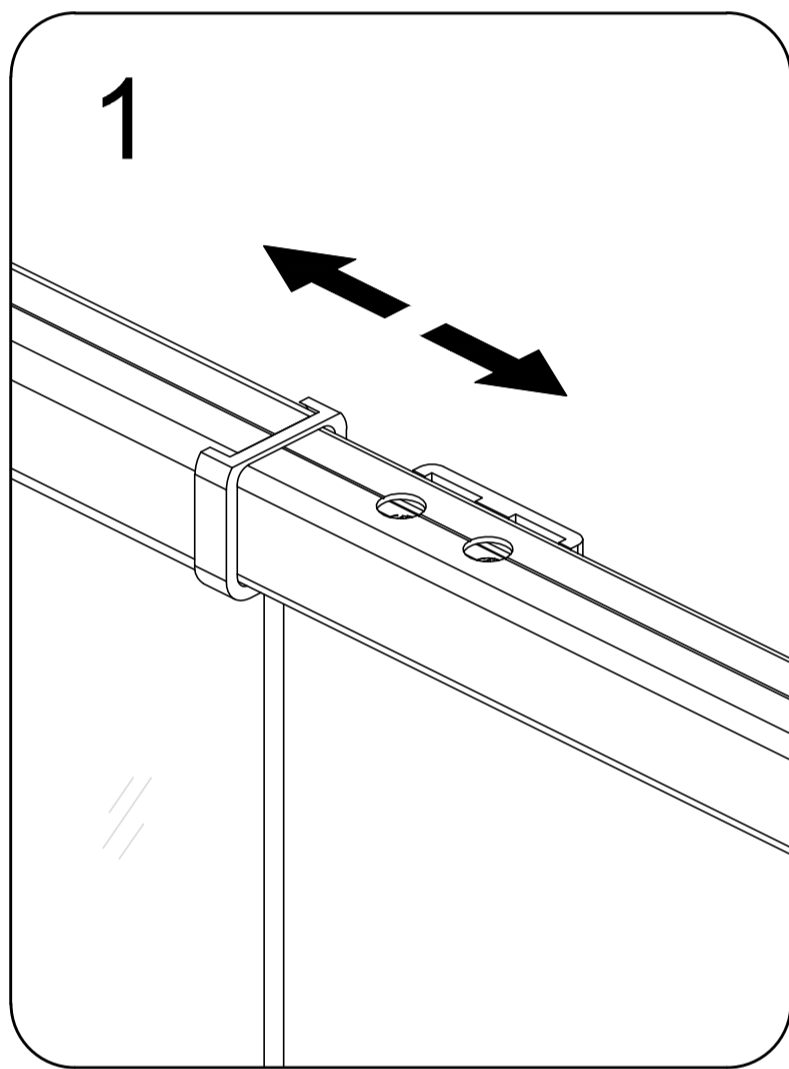


Fig 5

5 Wall Jamb (D) Location

NOTE

The opening for the door glass must be square. Measure the top and bottom of the door opening and adjust the Expandable rails as necessary. Push the **Wall Jamb (D)** tight to the walls to compensate for up to 1/2" out-of-plumb per wall. (Fig 6)



Fig 6

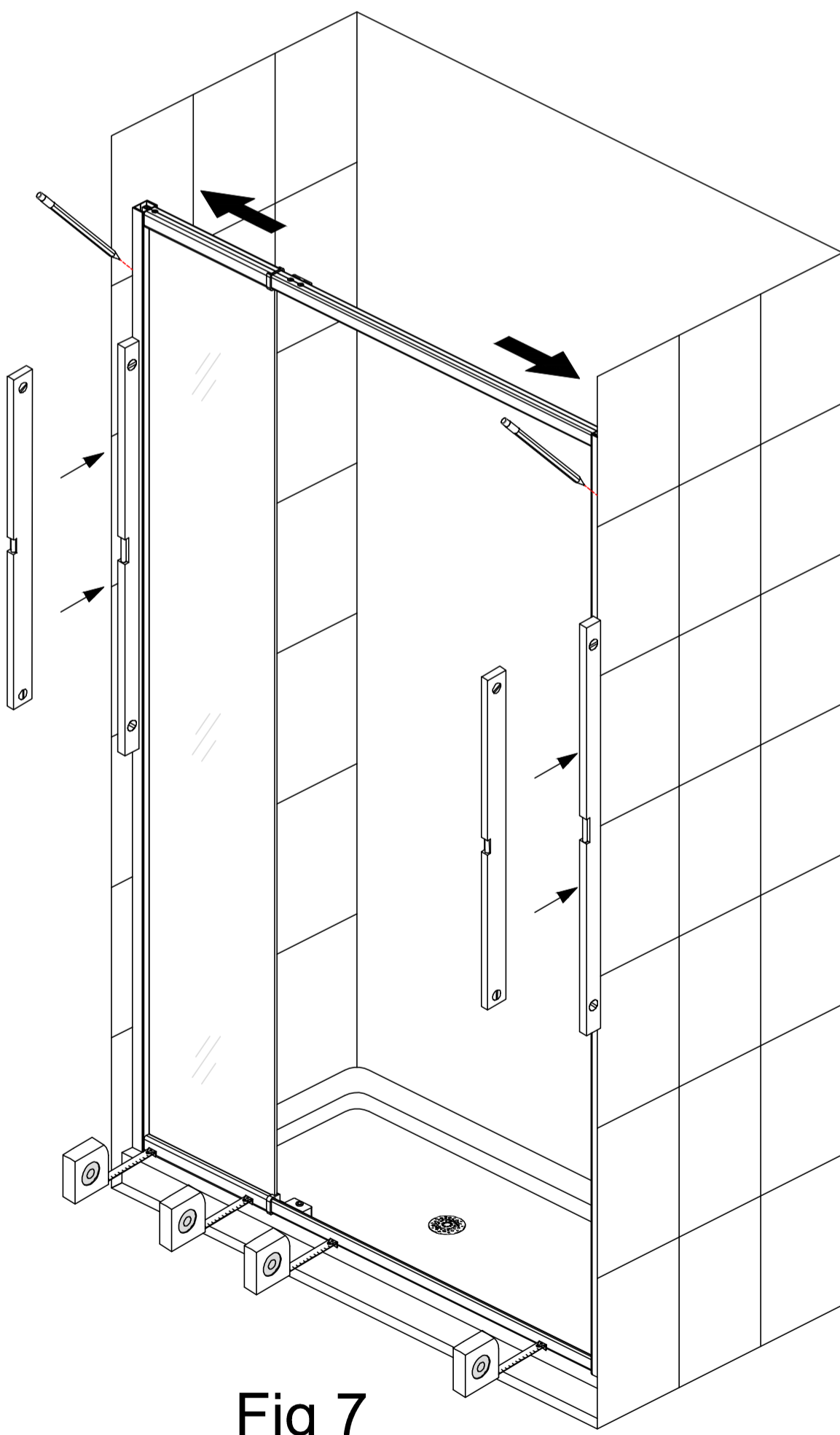


Fig 7

NOTE

Check that the frame assembly is plumb on the wall and even across the threshold. Mark the position of the **Wall Jamb (D)** on the wall. Make sure that the **Wall Jamb (D)** are tight to the threshold. (Fig 7)

6 Wall Jamb (D) Installation

NOTE

Move the frame assembly aside and remove the **Wall Jamb (D)**. Put **Wall Jamb (D)** back to the position marked in the previous step, and then mark the required hole. Drill the holes into the walls using a $\text{Ø}1/4''$ (6mm) drill bit and insert the **Wall Anchors (bb)**. Repeat this process for the opposite wall jamb. (Fig 8)

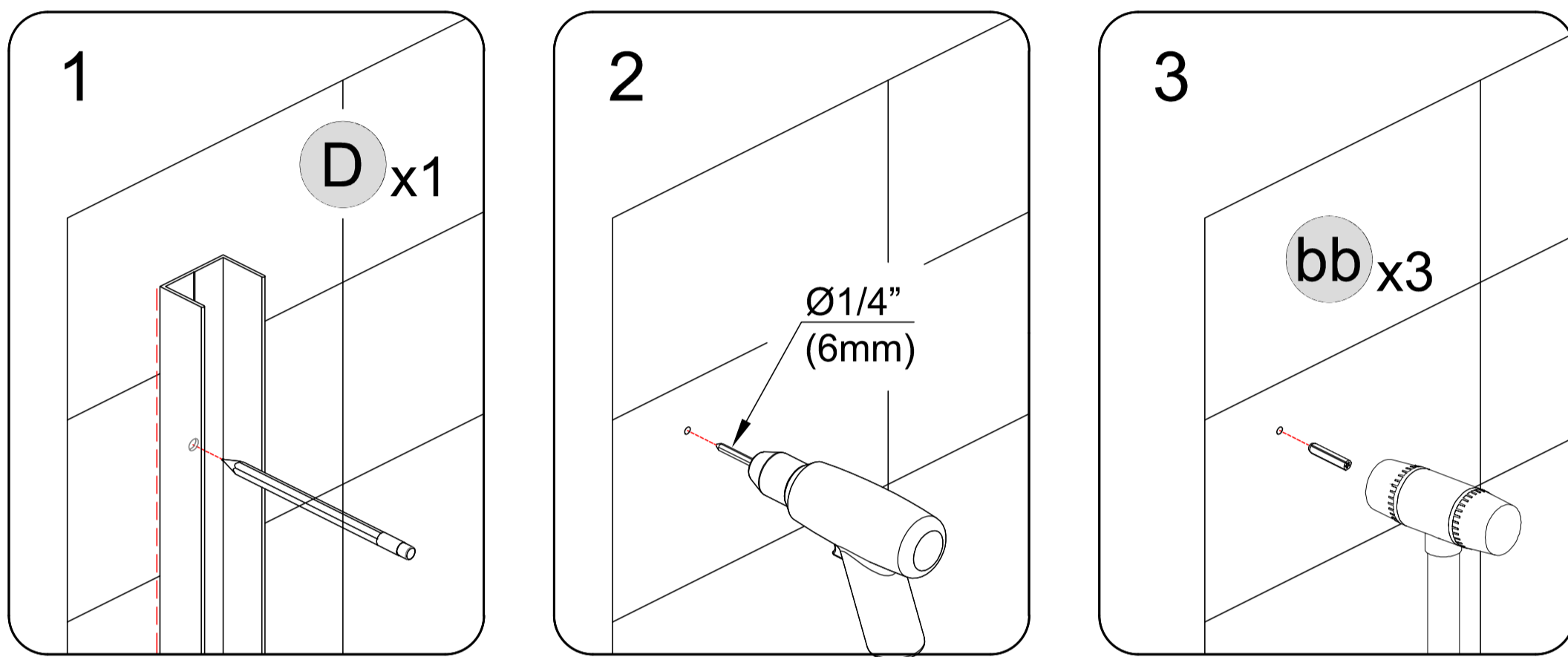


Fig 8

NOTE

Apply silicone into the groove along the entire length of the **Wall Jamb(D)**. Attach the **Wall Jamb(D)** to the wall using the **ST4 x 30 Screws (aa)**. Repeat this process for the opposite wall profile. (Fig 9)

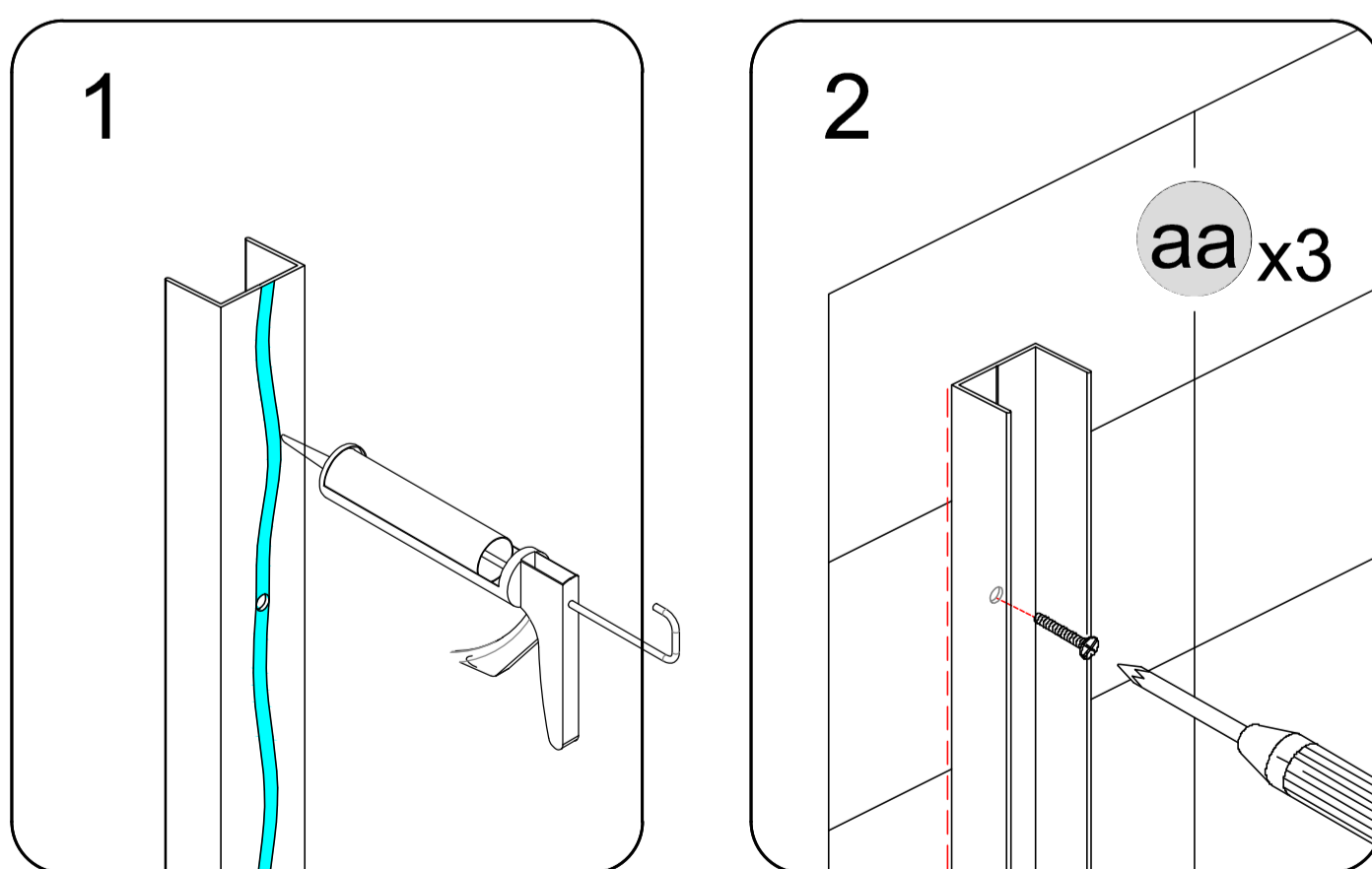
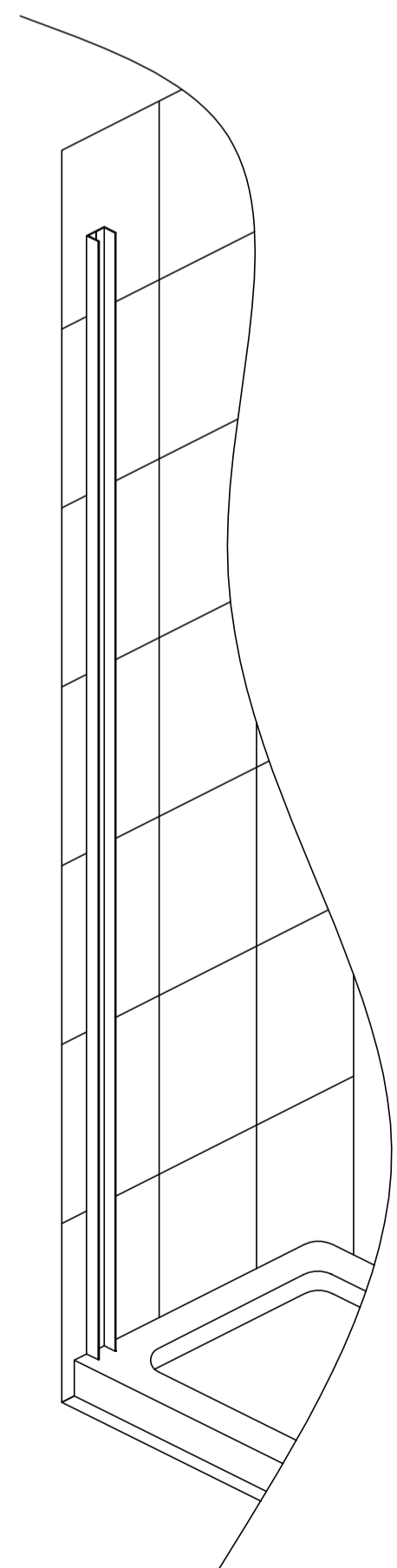


Fig 9



7 Door Assembly Installation

NOTE

Place the Door Assembly back onto the threshold, and first place the side with the panel into the **Wall Jamb (D)**. (Fig 10)

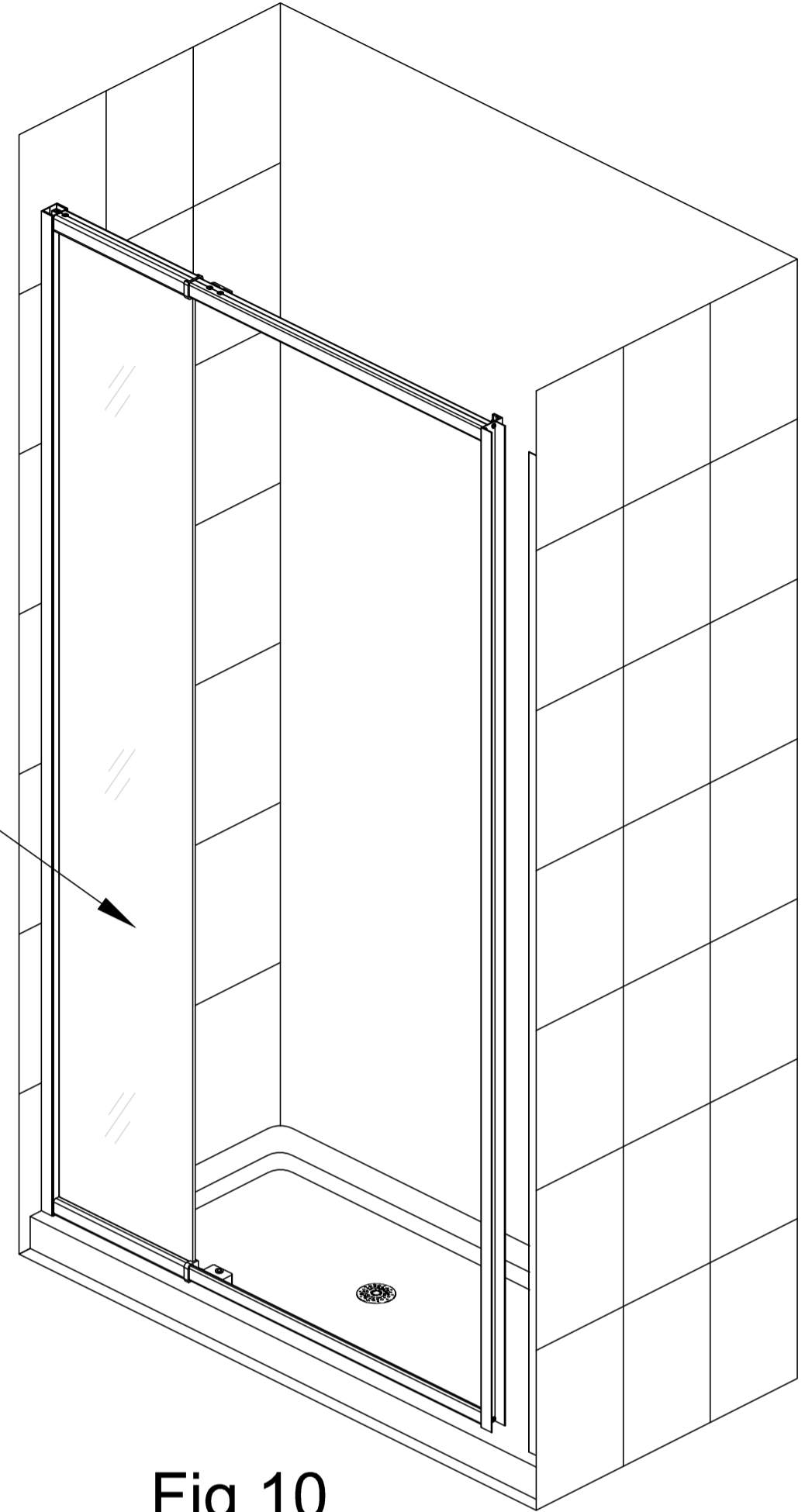


Fig 10

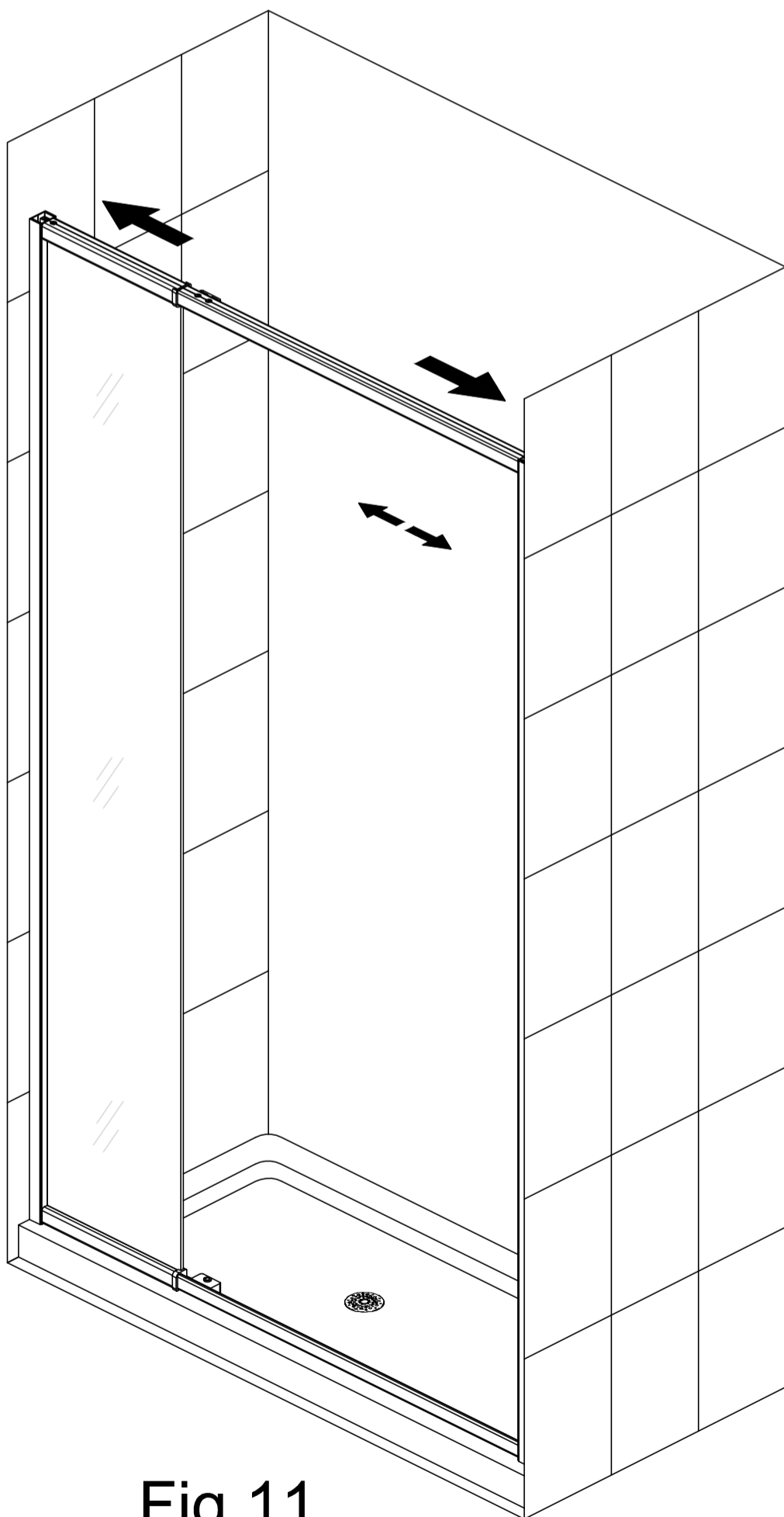


Fig 11

NOTE

Extend the Expandable Rails **Top & Bottom Rails (A)** evenly so that the **Magnetic Strike Profile (G)** goes into the opposite **Wall Jamb (D)** on the door-side of the opening. (Fig 11)

8 Pivot (B) Installation

NOTE

1. Check and adjust the door opening for square and make certain that the entire assembly is tight to the threshold. (Fig 12)
2. Install one **Pivot (B)** into the pivot bases of the **Bottom Rails (A)**. **Note:** The another **Pivot (B)** is installed next step. (Fig 13)



Fig 12

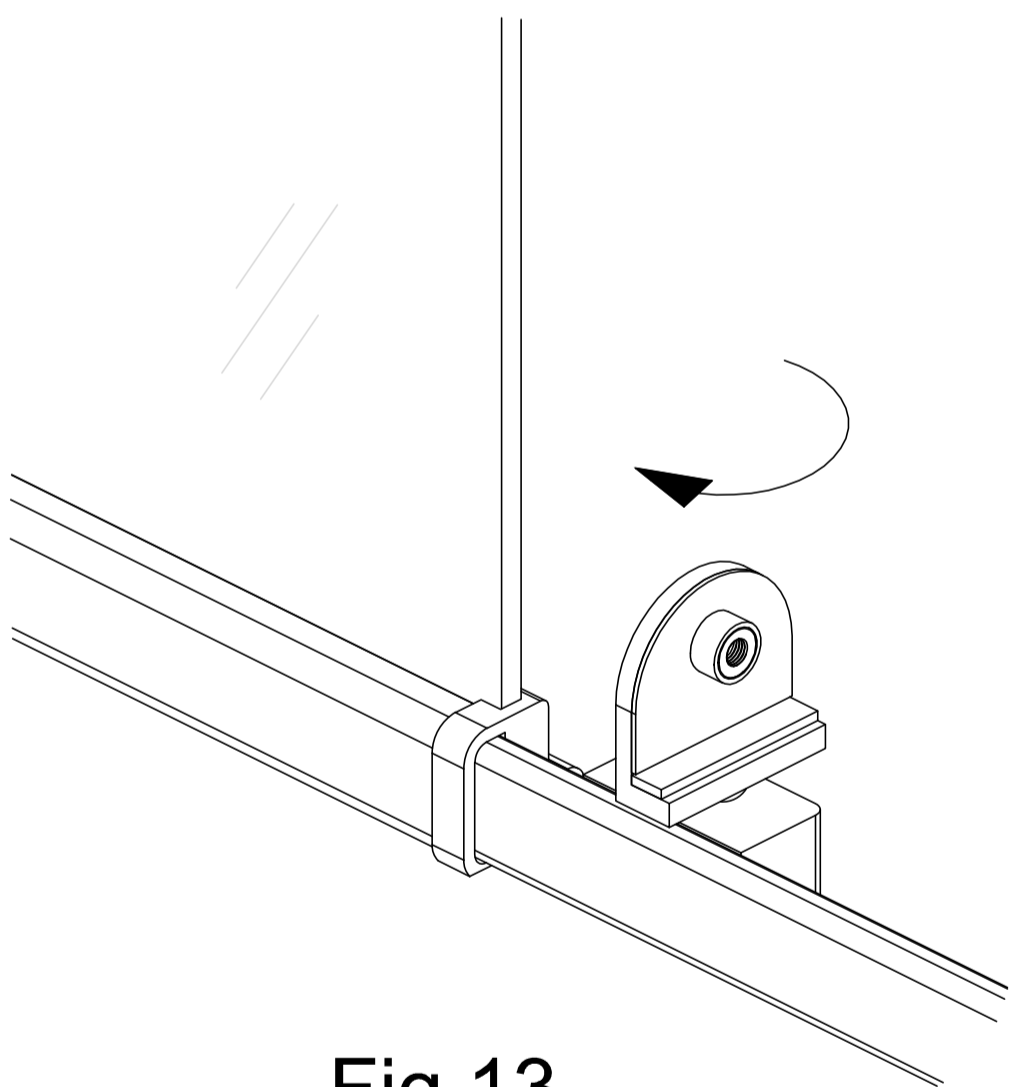


Fig 13



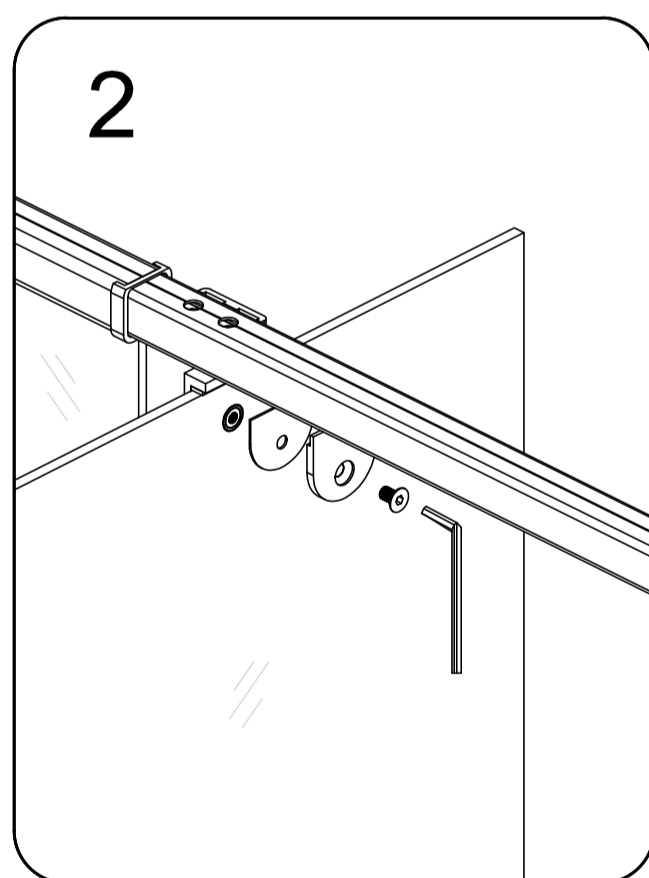
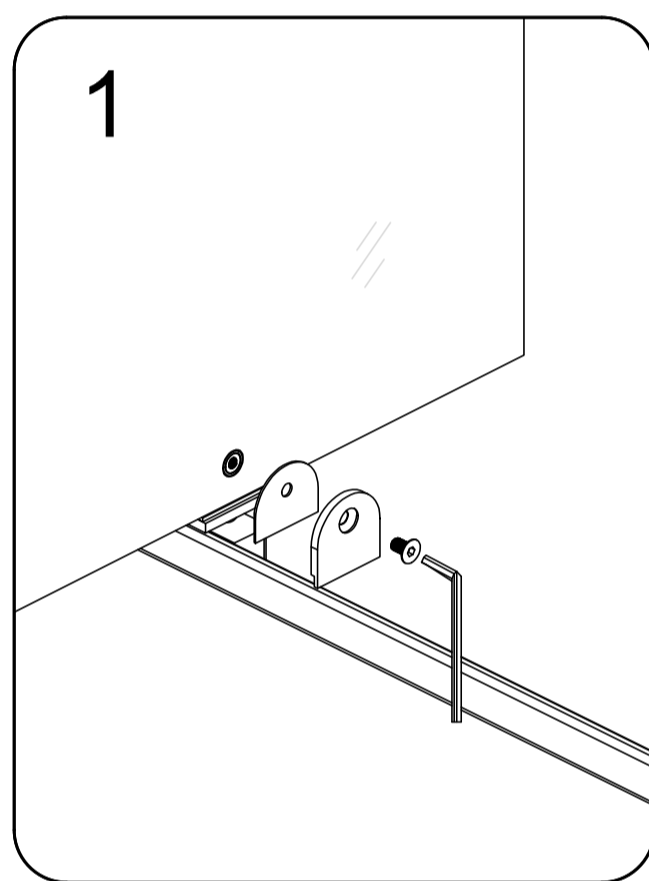
NOTE: DO NOT install the handle onto the door glass until instructed. DO NOT attempt to lift the glass using the handle. This could result in damage to the glass and/or serious personal injury. Always use an assistant or a professional grade glass suction cup when handling heavy glass.

9 Glass Door(H) Installation

NOTE

Carefully install the **Glass Door (H)** onto **Bottom Rails (A)**. Install the another **Pivot (B)** into the pivot bases of the **Top Rails (A)** and then install the **Glass Door (H)** onto **Top Rails (A)**. (Fig 14)

Note: Make sure that the magnet edge of the door glass faces into the shower.



Right hand door installation shown

Fig 14

10 Bottom Anti-water Strip (C) Installation

NOTE

Trim the **Bottom Anti-water Strip (C)** to fit on both sides of the pivot and attach both pieces to the bottom of the door glass.

Measure from the hinge side of the **Glass Door (H)** to the bottom pivot and the bottom pivot to the magnet strip. Trim the **Bottom Anti-water Strip (C)** into two pieces and attach its to the bottom of the **Glass Door (H)**. (Fig 15)

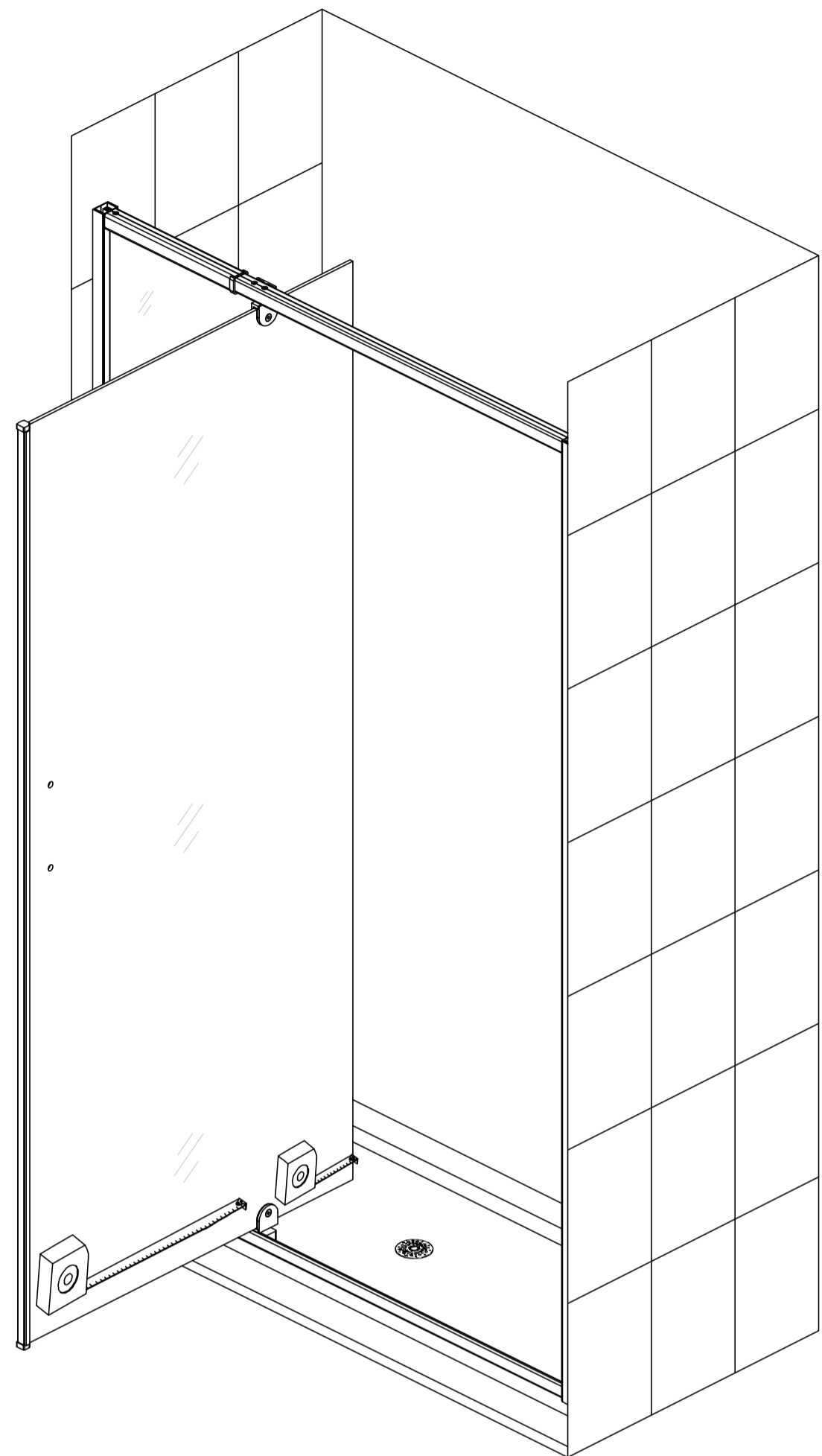
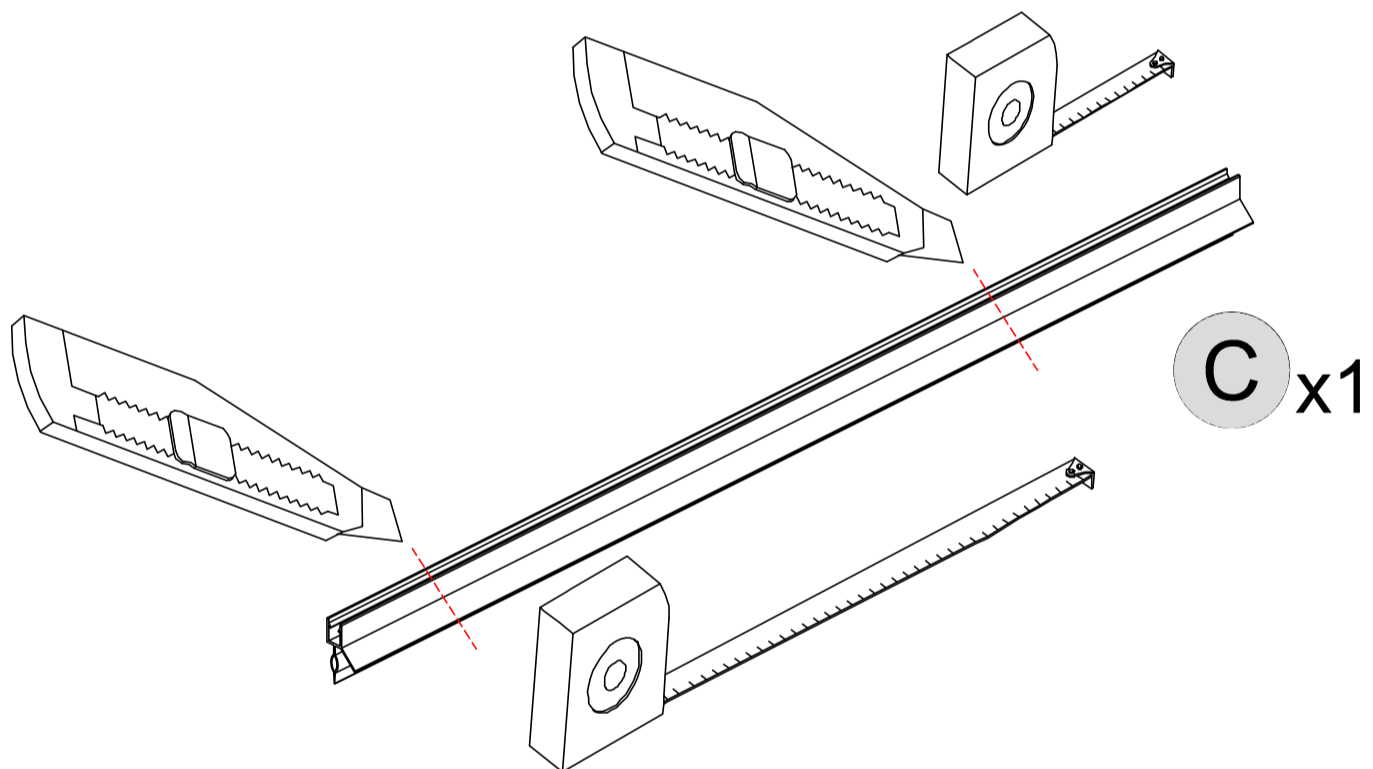
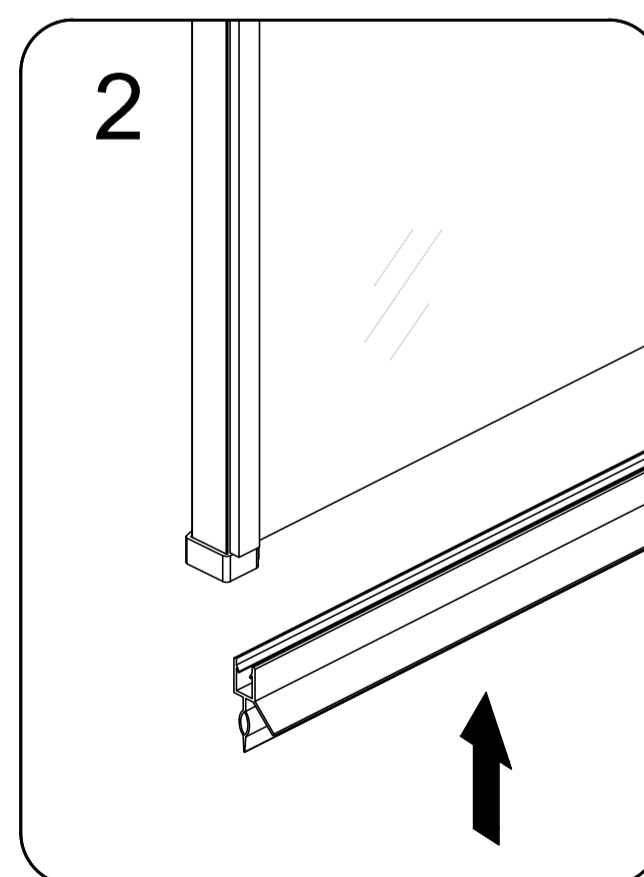
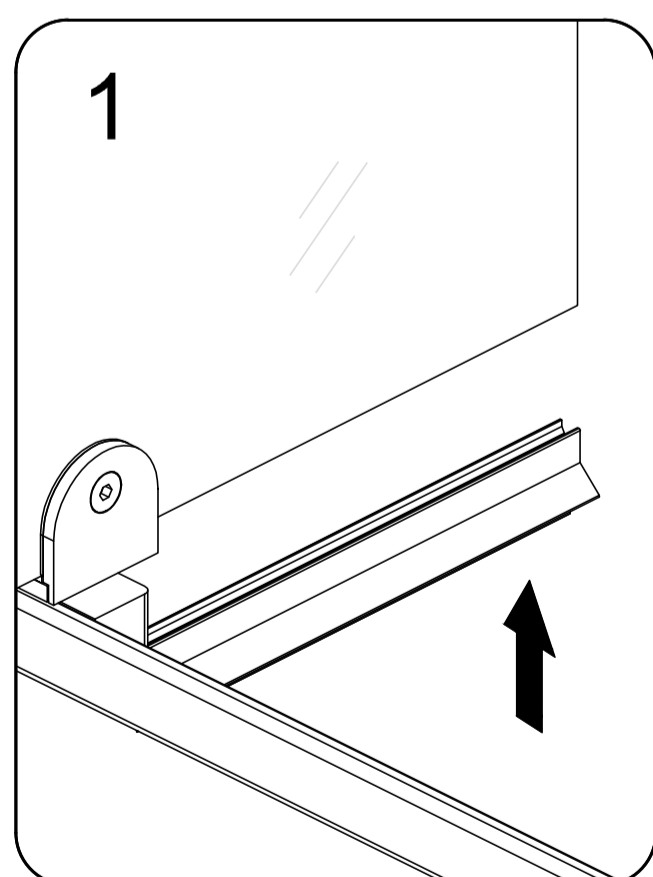


Fig 15



11 Handle (E) Installation

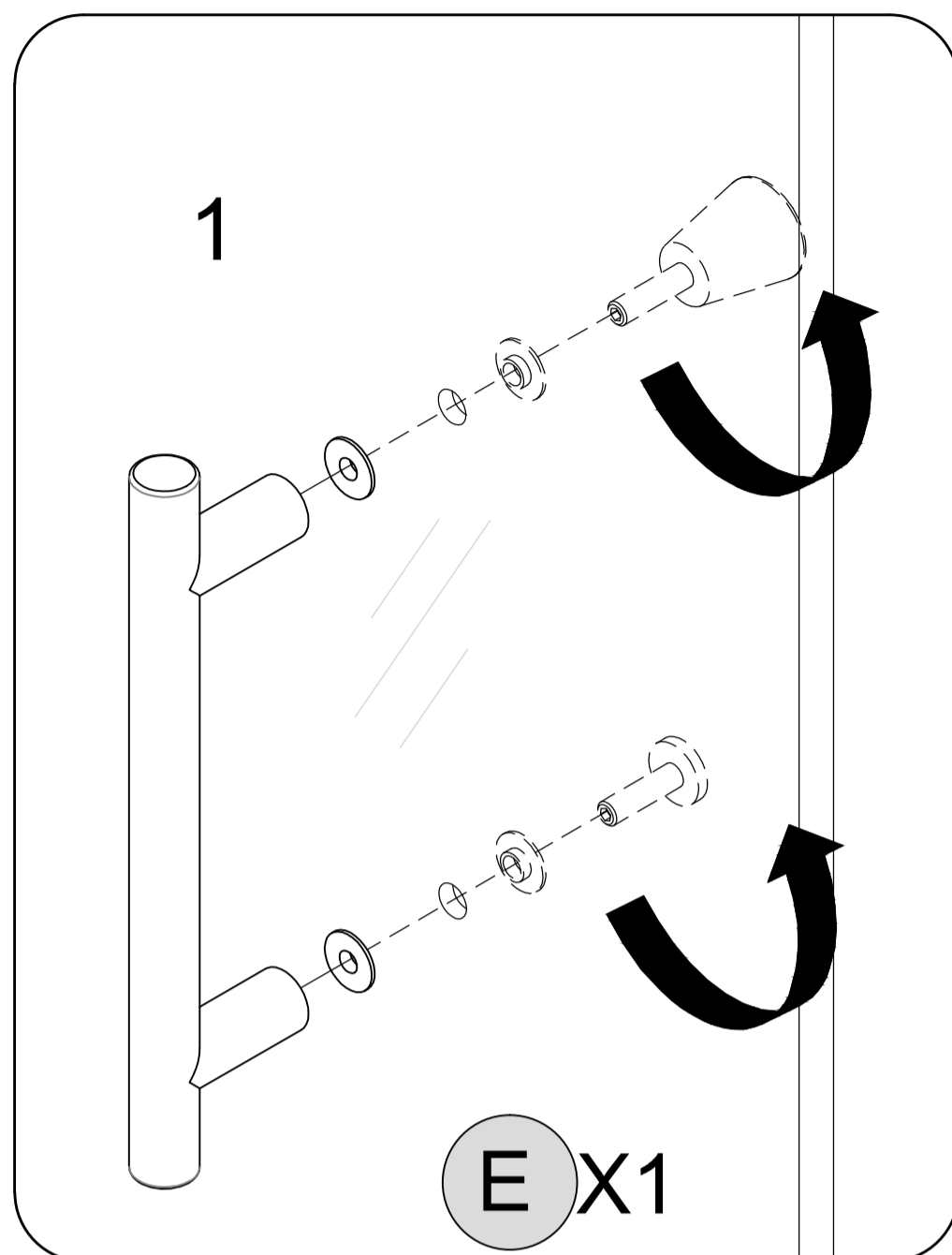


Fig 16

NOTE

Attach the **Handle (E)** to the **Glass Door (H)** .(Fig 16) (Knob is placed upward)

12 Top & Bottom Rails (A) Fixation

NOTE

Once all adjustments have been made, drill pilot holes from inside of the shower into the **Top & Bottom Pivot Rails (A)** through the predrilled holes using an $\text{\O}1/8''$ drill bit. (Fig 17.1 & 17.2)

Note: Do not drill the rails throughout, only through the first layer.

Secure the Expanding rails using the **Round head screws ST4x12 (cc)** (Fig 17.3 & 17.4)

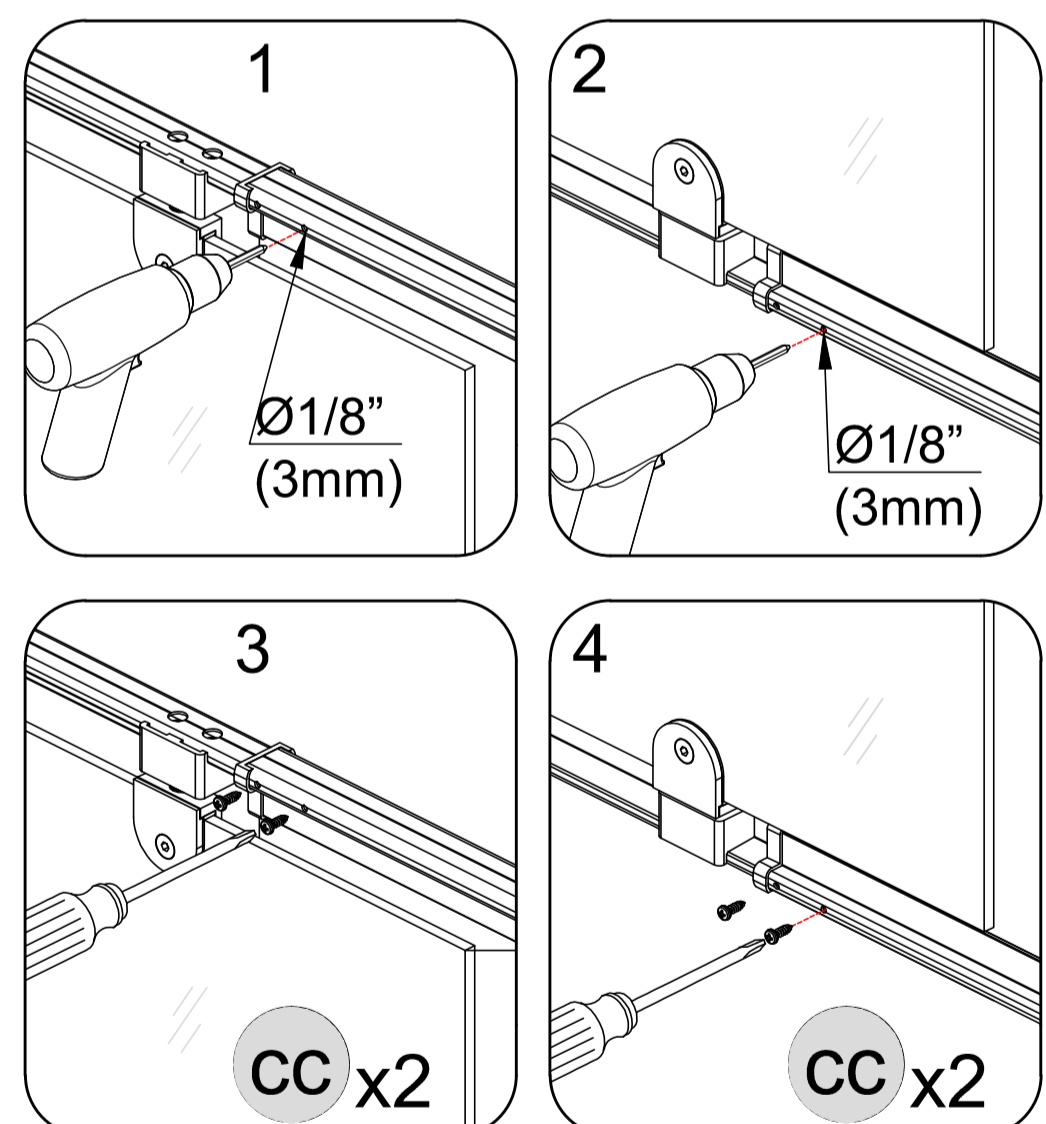


Fig 17

13 Assembly Fixation

NOTE

Make any final adjustments to the Door assembly within the **Wall Jamb (D)**. Make sure that the entire assembly sits tight down onto the threshold.

From inside the shower, drill holes into the **Wall Jamb (D)** near the center at the top and bottom of the profile using an $\text{Ø } 1/8''$ drill bit. (Fig 18.1 & 18.2)

Note: Do not drill the profiles throughout, only through the first layer.

Secure the Door assembly to the **Wall Jamb (D)** using the Screws **ST4×12 (cc)** and the raised white washers. (Fig 18.3 & 18.4)

Cover the exposed screw heads and washers with the **Decorative Caps (dd)**. Repeat this step on the strike side wall profile as well. (Fig 18.5 & 18.6)

Cover the **Wall Jamb(D)** with the **Decorative Caps (F)**. Repeat this step on the strike side wall profile as well. (Fig 18.7 & 18.8)

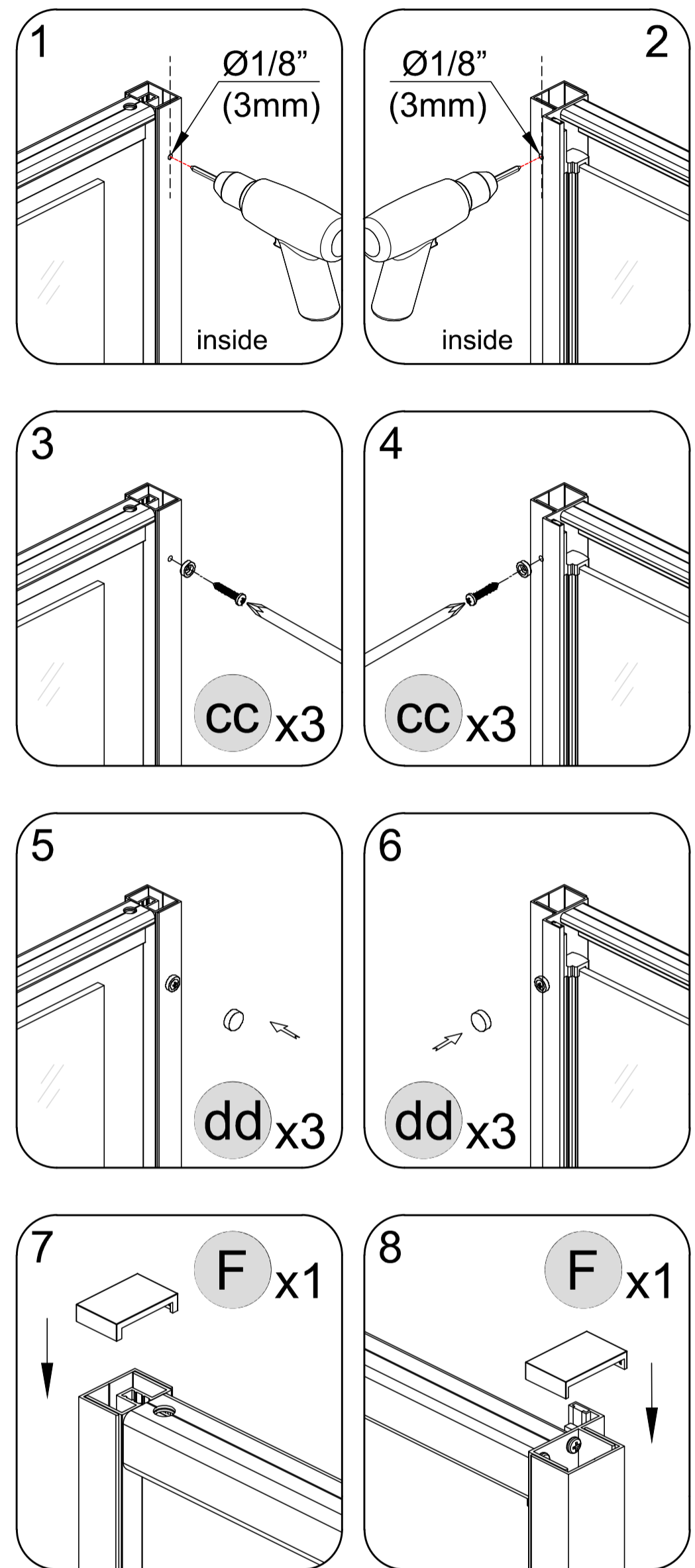
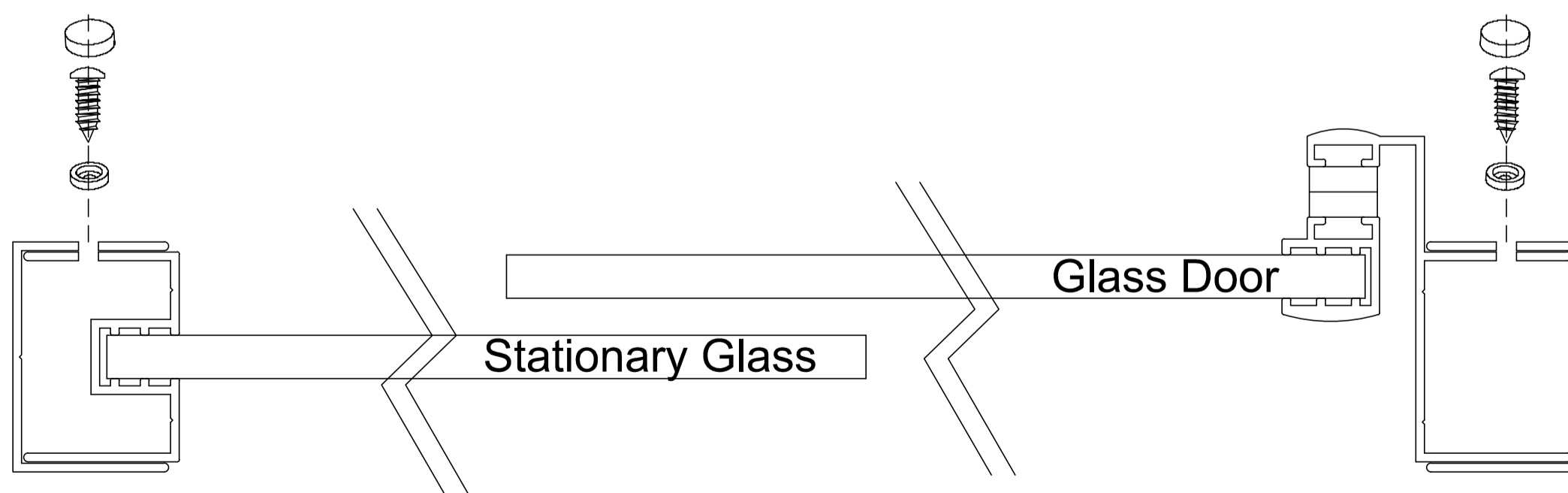


Fig 18



14 SEALING

NOTE The surfaces need to be clean and free of debris before applying silicone.

NOTE Ensure that the Shower door closes tightly and opens smoothly.
Apply a good quality silicone sealant along the Wall Jamb (D) and Bottom Rail (A) .



Allow 24 hours for the silicone to cure before using the shower.



! Apply Silicone Sealant, (not supplied).

