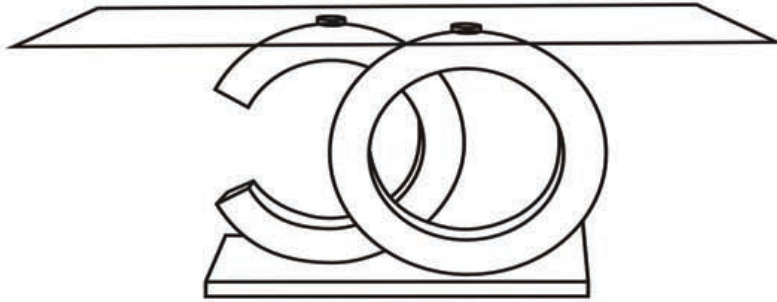


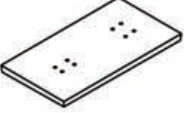


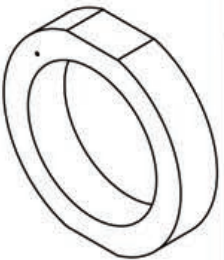



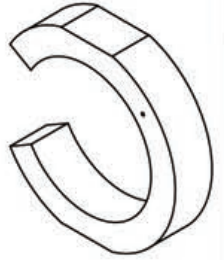



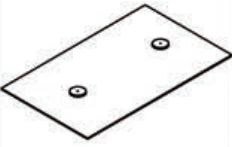



Assembly Instructions



Please install the products on carpet or soft place.

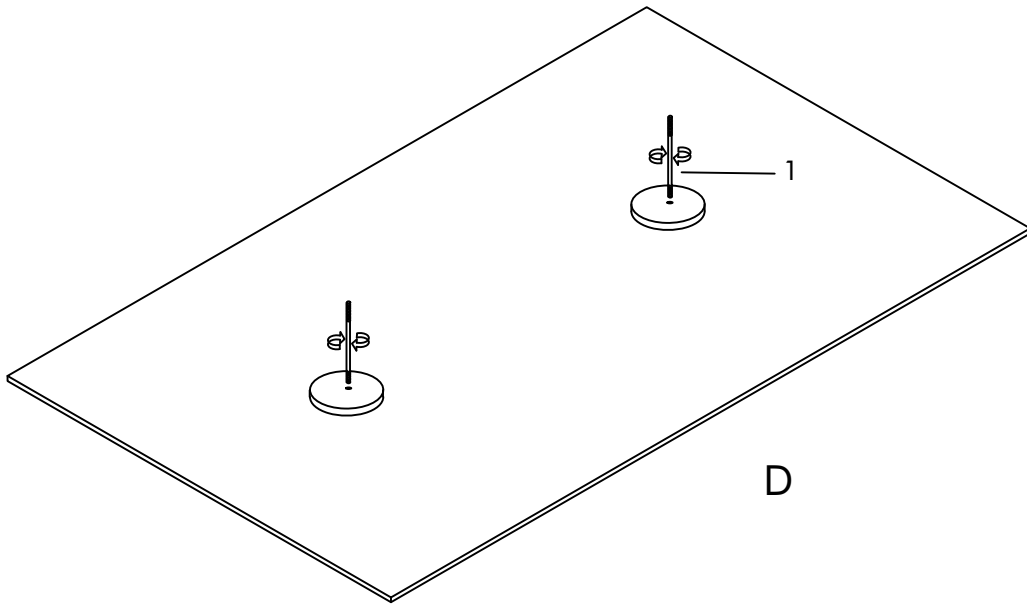
Parts list

Hardware List

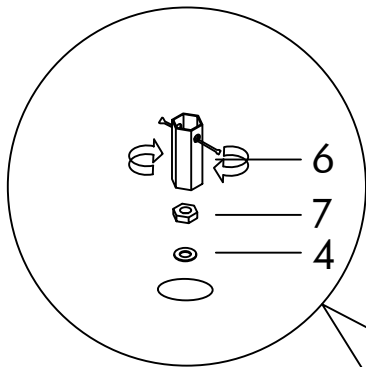
No.	Sketch	Description	Qty	No.	Sketch	Description	Qty
A		Base	1	1		Pulling Rod M8*90	2
				2		Screw M8*45	8
B		Leg	1	3		Plastic Protection Corner	4
				4		Gasket M8*18	10
				5		Allen Key	1
C		Leg	1	6		Box Spanner	1
				7		Nut M8	2
				8		Adjustable Foot	4
D		Tempered Glass Table Top	1	9		Screw M8*130	1
				10		Gasket M8*14	1
				11		Same color sticker	1

Step 1

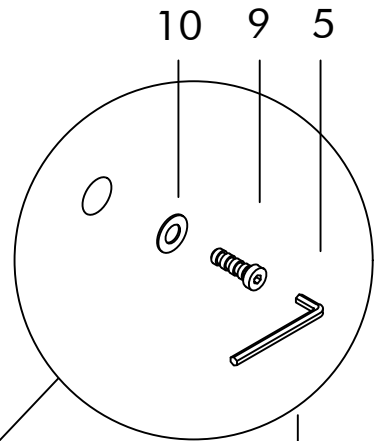
Step 1



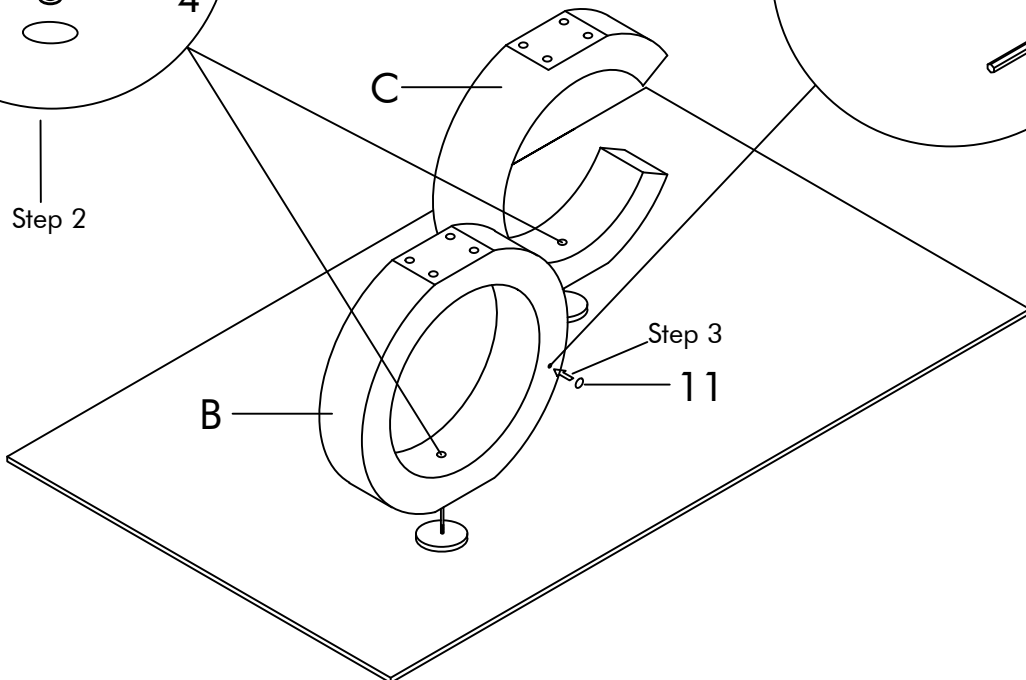
Step 2



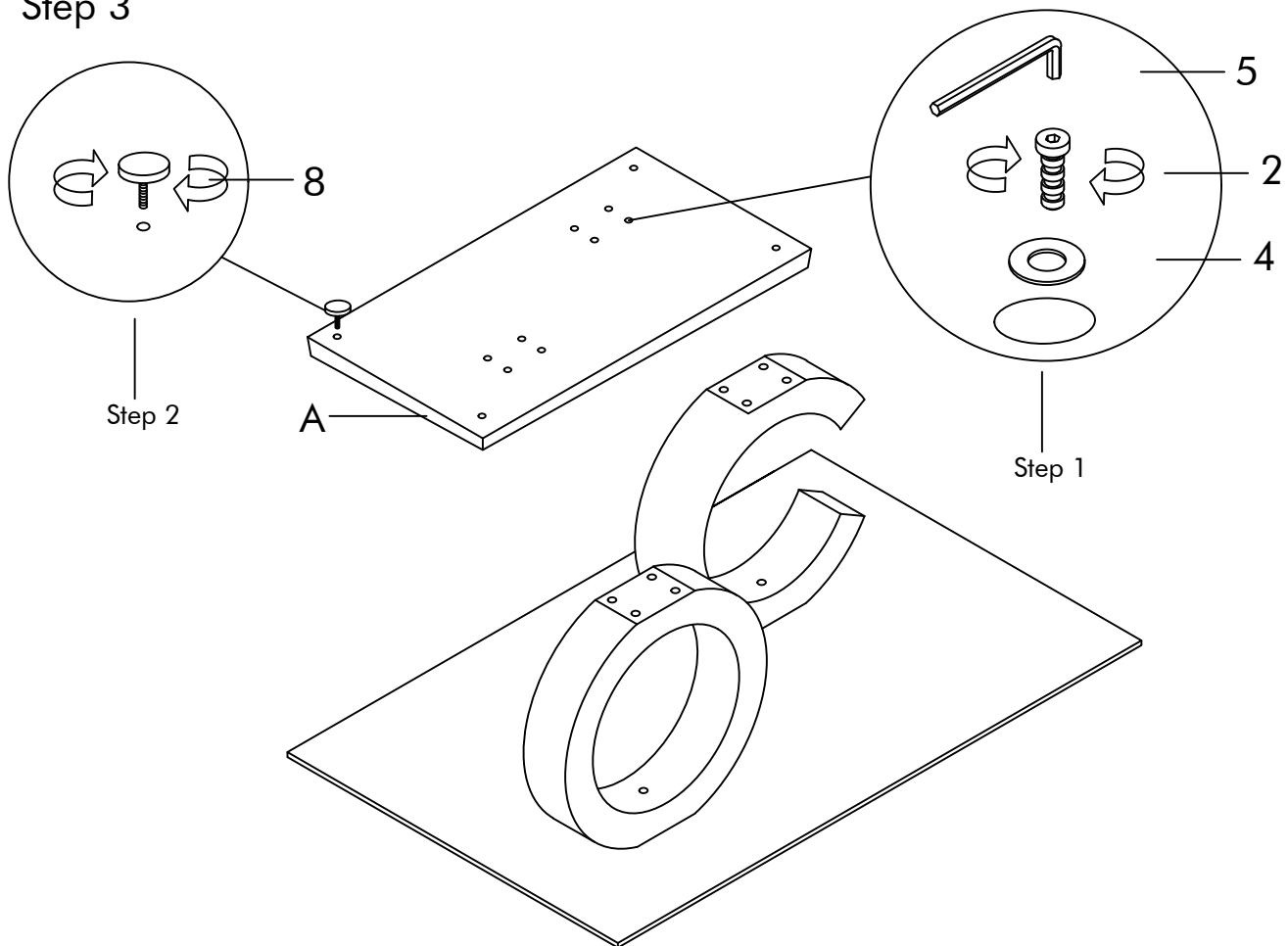
Step 2



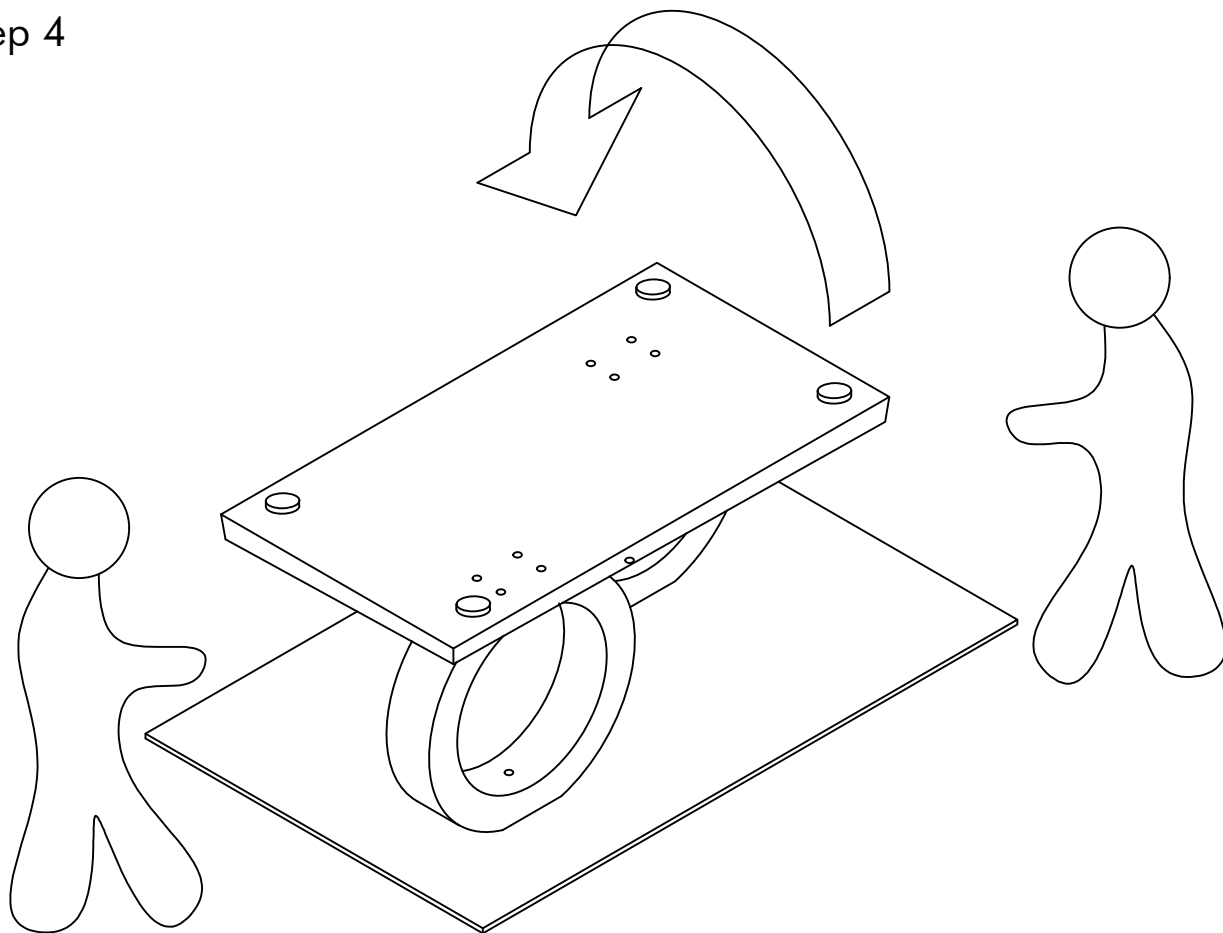
Step 1



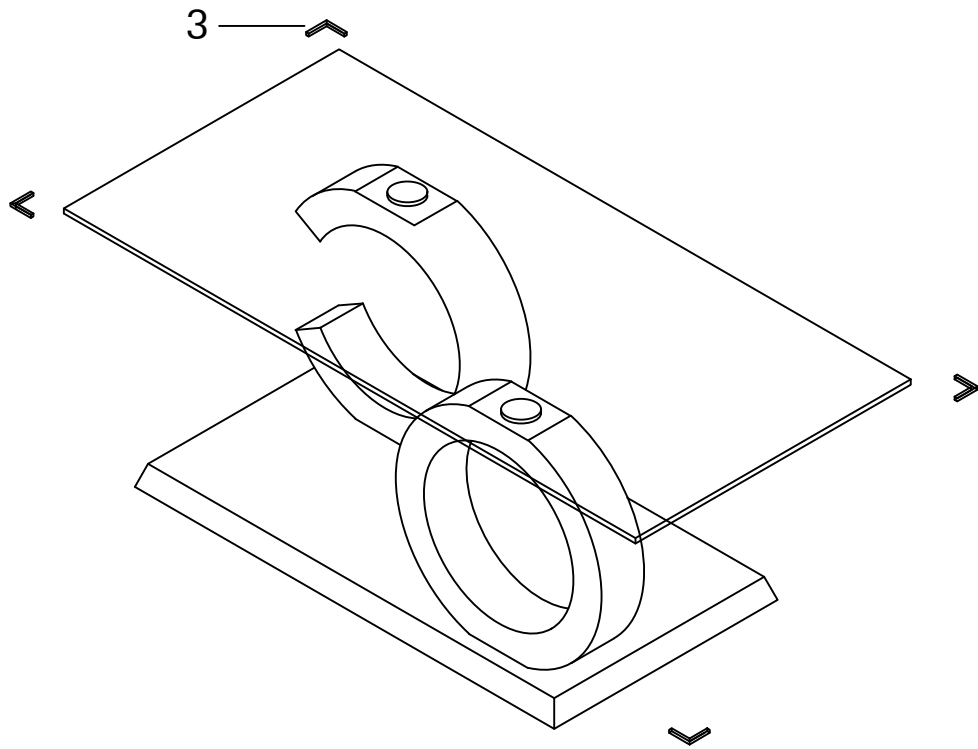
Step 3



Step 4



Step 5



Step 6

