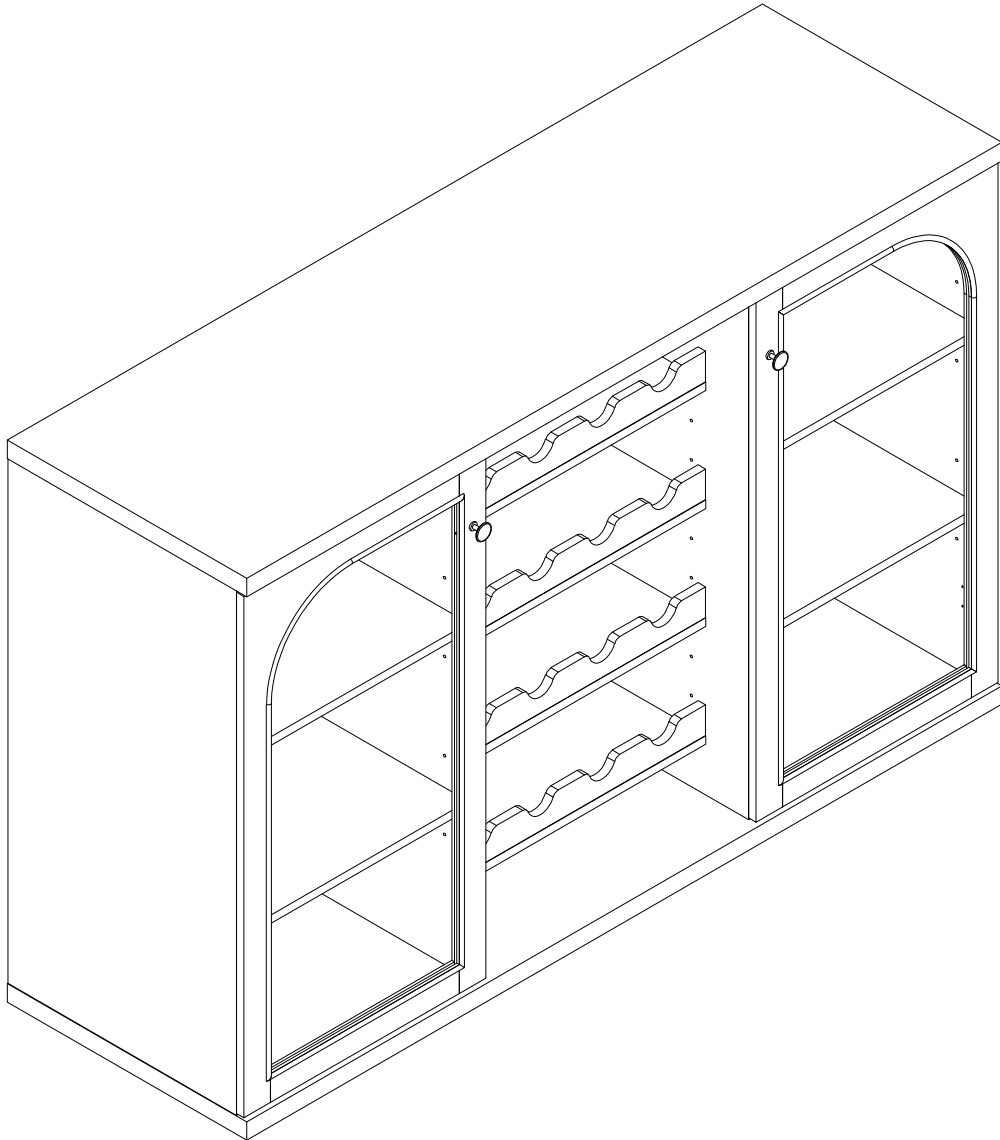


# Archline Wine Cabinet

Assembly Instruction



**Vicissitudes**

## INTRODUCTION

Thank you for purchasing our products. Please read the instructions carefully before installation and keep it in a safe place for future reference. If you need any assistance or support, please feel free to contact our customer support team.

## PRECAUTIONS

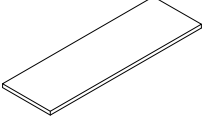
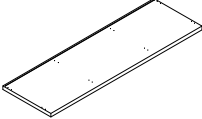
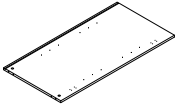
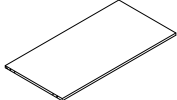
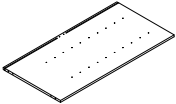
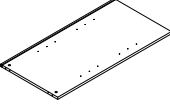
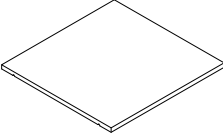
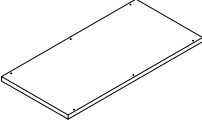
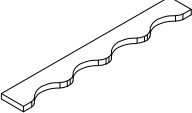
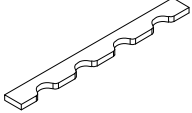
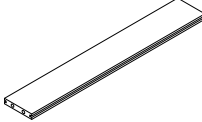
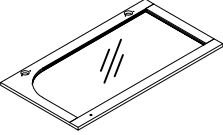
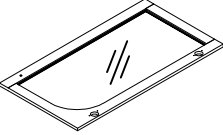
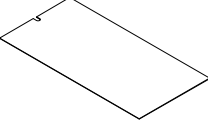
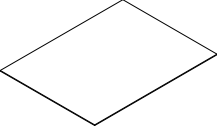
1. There are many components and accessories in the package. Each component and accessory is labeled with a letter or a number, check carefully before using any of them. Keep them away from children to prevent accidents.
2. Please install the product on a clean and soft underlay (such as carpet or cardboard) to avoid scratching or damaging the surface of the product.
3. The main components of the product are relatively heavy. Please pay attention to safety during installation.
4. The product is not stable during installation. Please do not move it randomly until it is completely installed.
5. If you have any questions during installation, please contact the customer service in time.

**\*PLEASE BE SURE TO FOLLOW THE INSTALLATION STEPS IN THE MANUAL TO AVOID UNNECESSARY LOSSES CAUSED BY IMPROPER INSTALLATION.**

**\*IF YOU NEED FURTHER ASSISTANCE, PLEASE CONTACT THE CUSTOMER SERVICE ONLINE.**

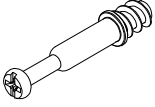

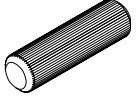
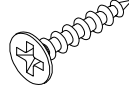

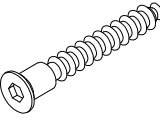
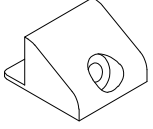
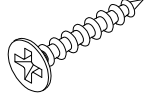
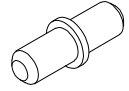
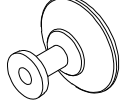
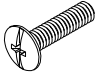
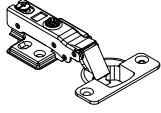
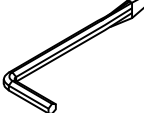
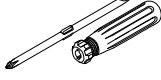


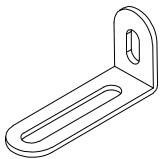

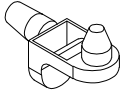
# Vicissitudes

## Parts List

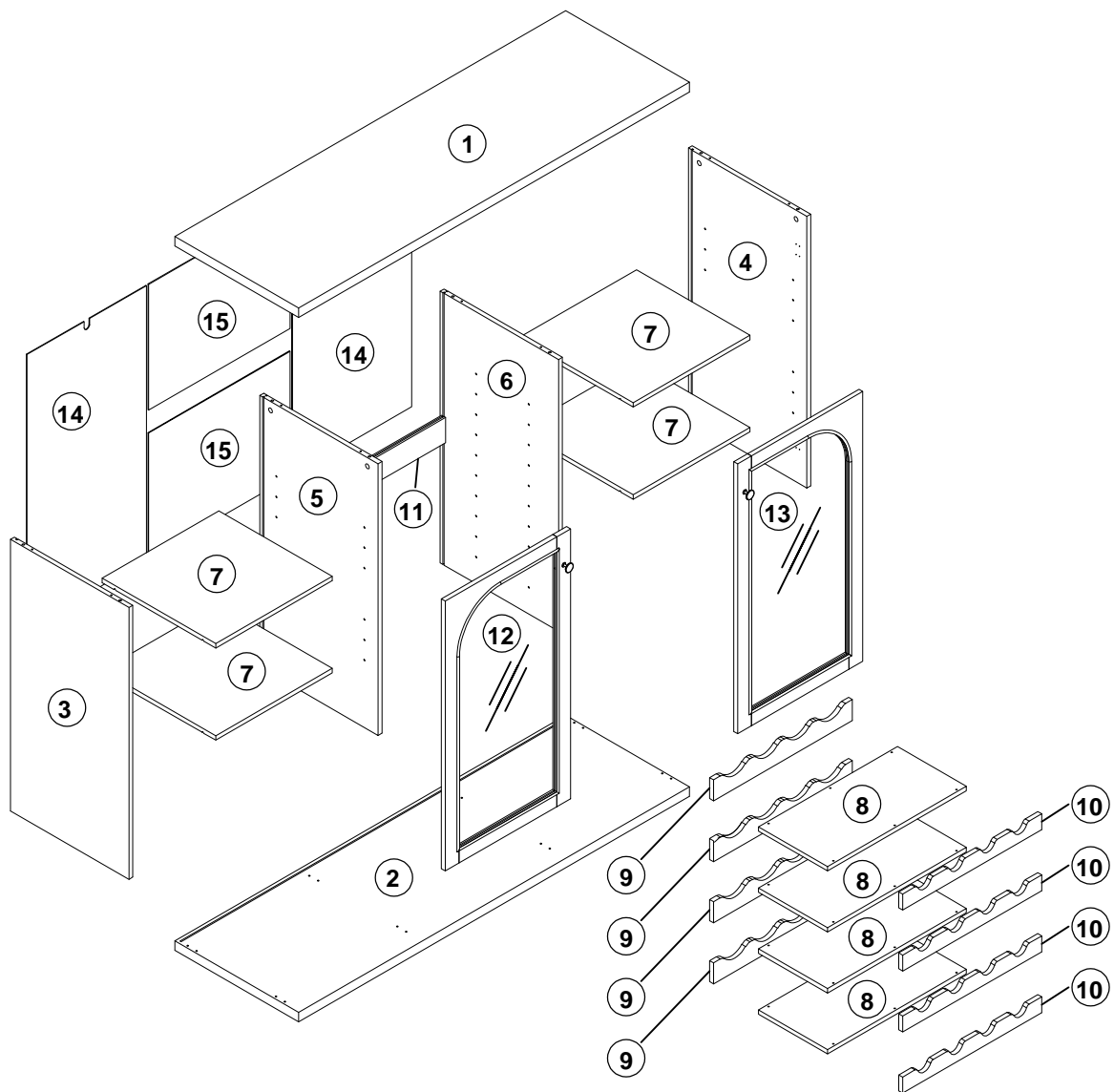
 ① × 1	 ② × 1	 ③ × 1	 ④ × 1	 ⑤ × 1
 ⑥ × 1	 ⑦ × 4	 ⑧ × 4	 ⑨ × 4	 ⑩ × 4
 ⑪ × 1	 ⑫ × 1	 ⑬ × 1	 ⑭ × 2	 ⑮ × 2

# Vicissitudes

## Hardware List

<p><b>Ø6*35mm</b></p>  <p><b>A × 13</b></p>	<p><b>Ø15*9.8mm</b></p>  <p><b>B × 13</b></p>	<p><b>Ø6*30mm</b></p>  <p><b>C × 17</b></p>	<p><b>Ø3.5*14mm</b></p>  <p><b>D × 25</b></p>	<p><b>Ø4*35mm</b></p>  <p><b>E × 24</b></p>
<p><b>#9.5*M5*46mm</b></p>  <p><b>F × 8</b></p>	<p><b>14*15*11mm</b></p>  <p><b>G × 22</b></p>	<p><b>Ø3*16mm</b></p>  <p><b>H × 22</b></p>	<p><b>Ø5*7*17mm</b></p>  <p><b>I × 16</b></p>	<p><b>21*14*21mm</b></p>  <p><b>J × 2</b></p>
<p><b>M4*18mm</b></p>  <p><b>K × 2</b></p>	<p><b>Ø4*57*21mm</b></p>  <p><b>L × 4</b></p>	<p><b>140mm</b></p>  <p><b>M × 1</b></p>	<p><b>Ø4*57*21mm</b></p>  <p><b>N × 1</b></p>	<p><b>140mm</b></p>  <p><b>O × 2</b></p>
<p><b>Ø4*57*21mm</b></p>  <p><b>P × 2</b></p>	<p><b>140mm</b></p>  <p><b>Q × 2</b></p>	<p><b>Ø4*57*21mm</b></p>  <p><b>R × 2</b></p>	<p><b>140mm</b></p>  <p><b>S × 16</b></p>	


# Vicissitudes

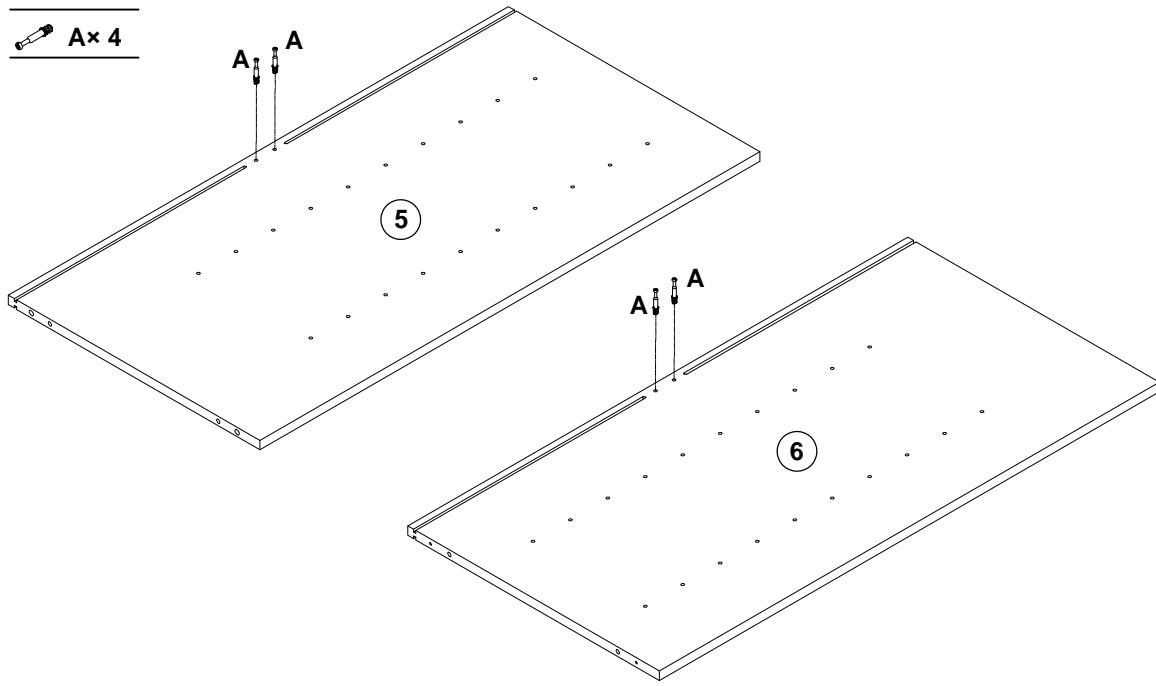


# Vicissitudes

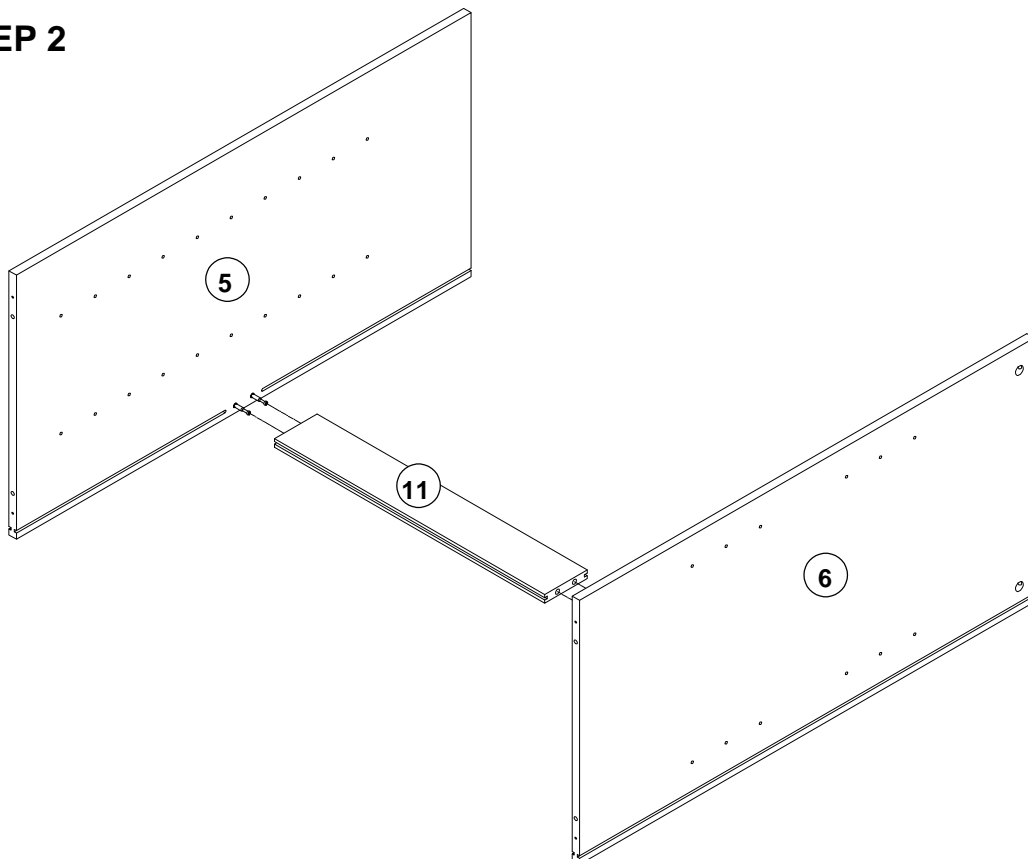
5

## STEP 1

 A x 4




## STEP 2

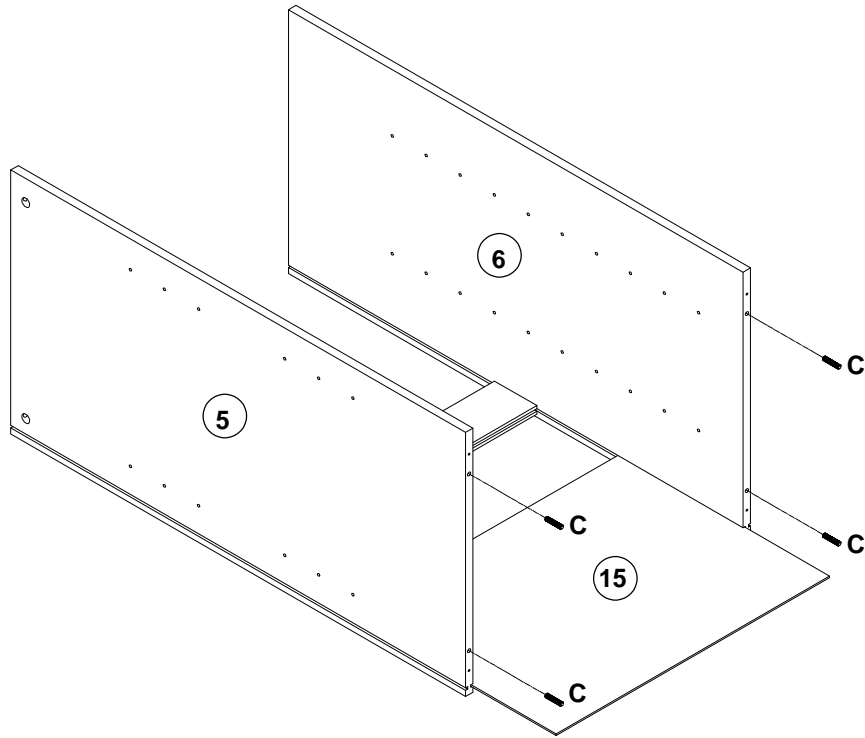


# Vicissitudes


6

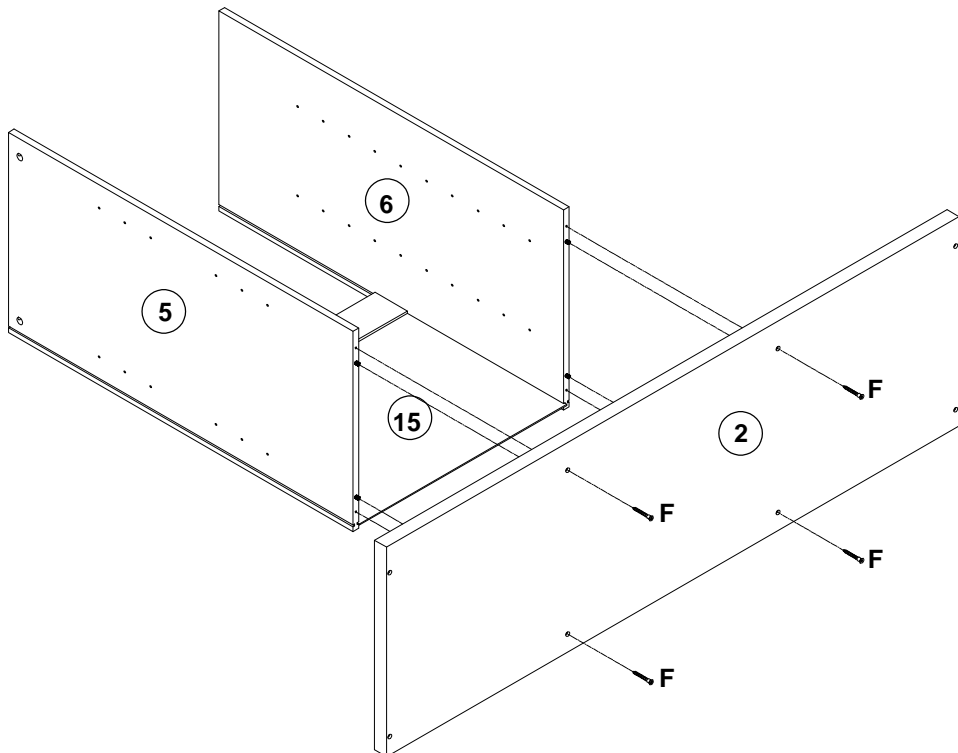
## STEP 3

 C x 4



## STEP 4


 F x 4

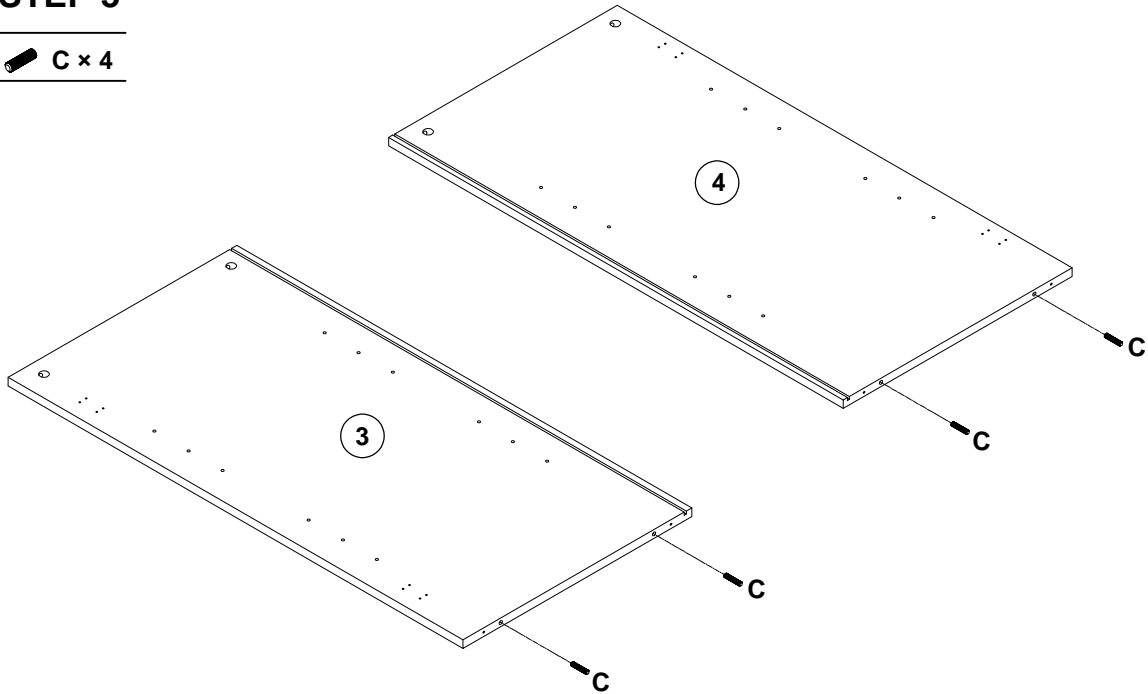


# Vicissitudes

7

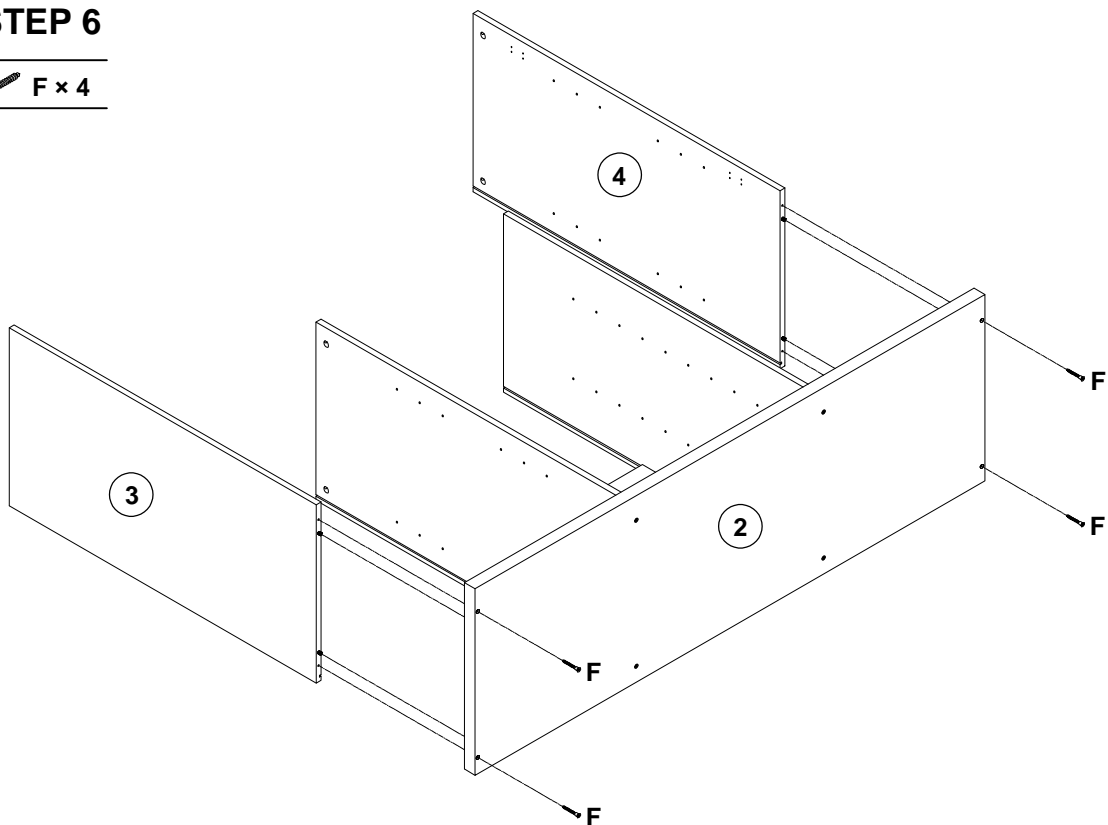
## STEP 5

 C x 4




## STEP 6

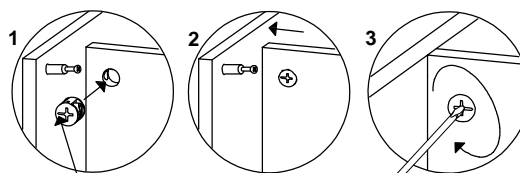
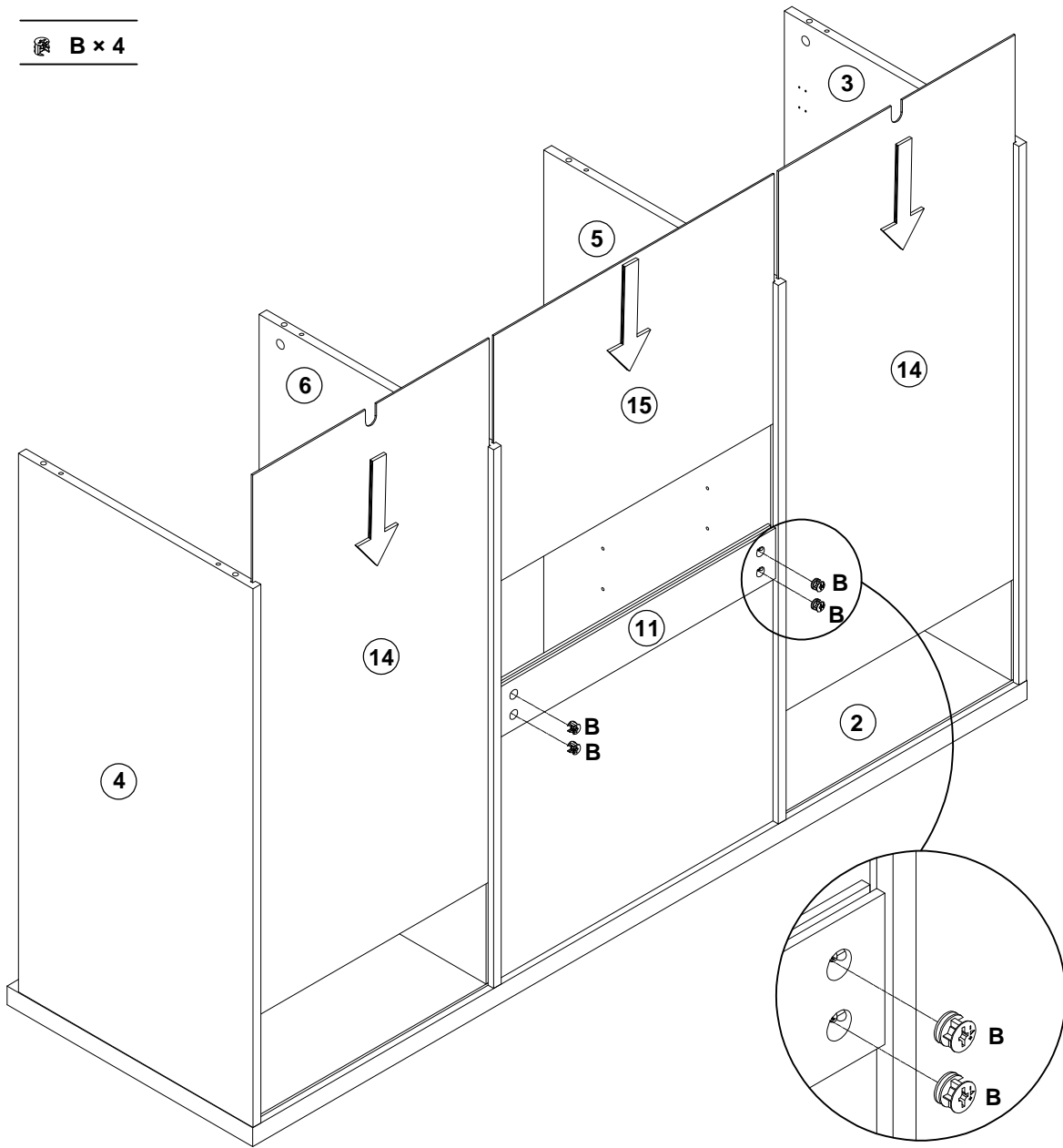
 F x 4



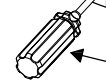
# Vicissitudes

## STEP 7

 B x 4




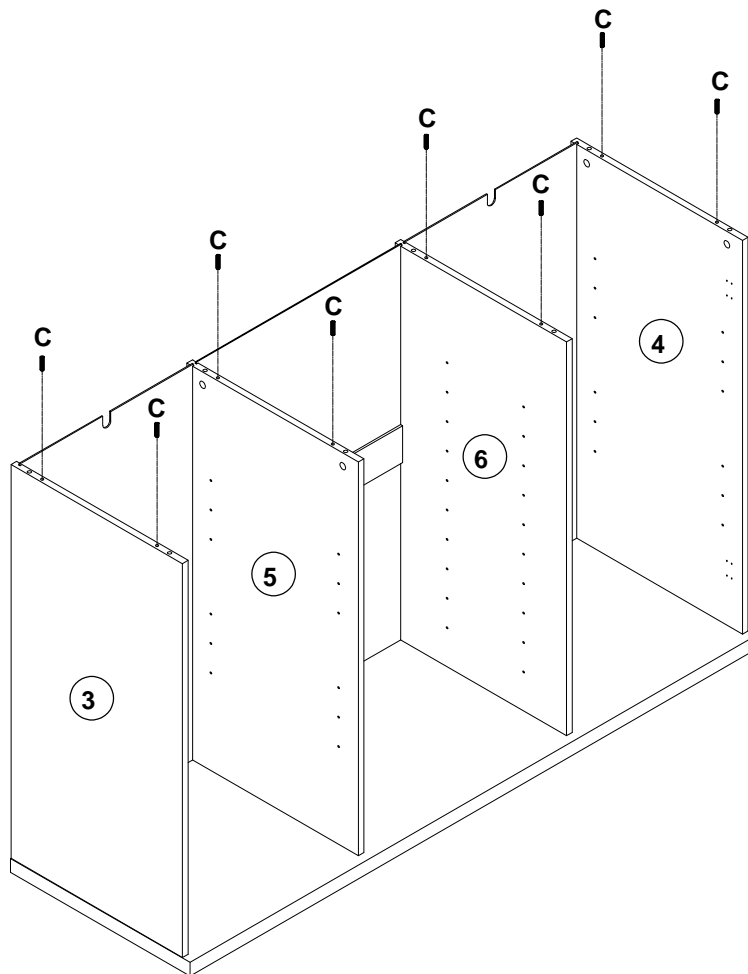
The arrow must point toward the edge of the board.



# Vicissitudes

## STEP 8

 C x 8

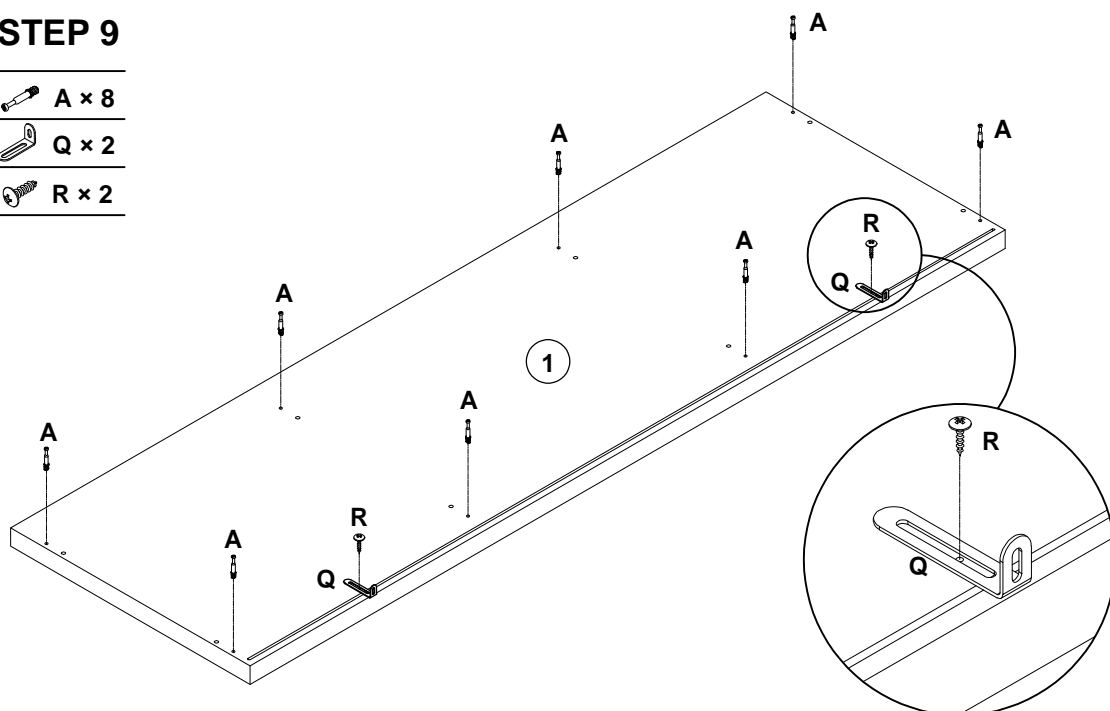


## STEP 9

 A x 8

 Q x 2

 R x 2



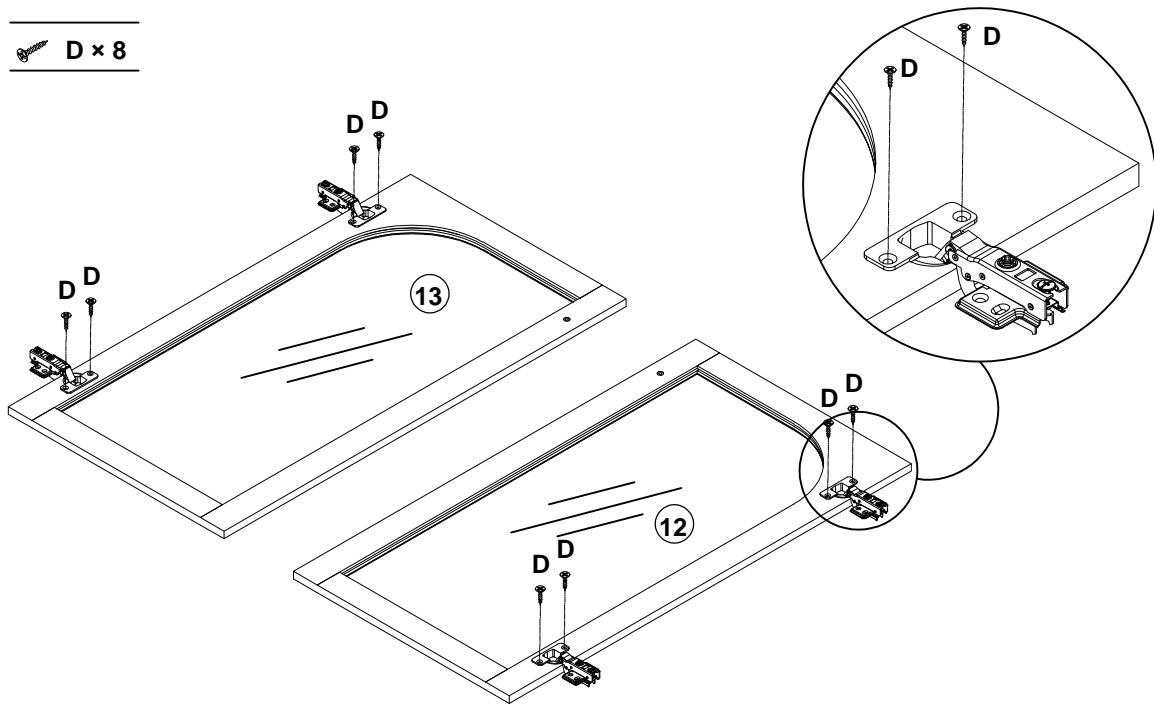


# Vicissitudes

11


## STEP 11

 D x 8

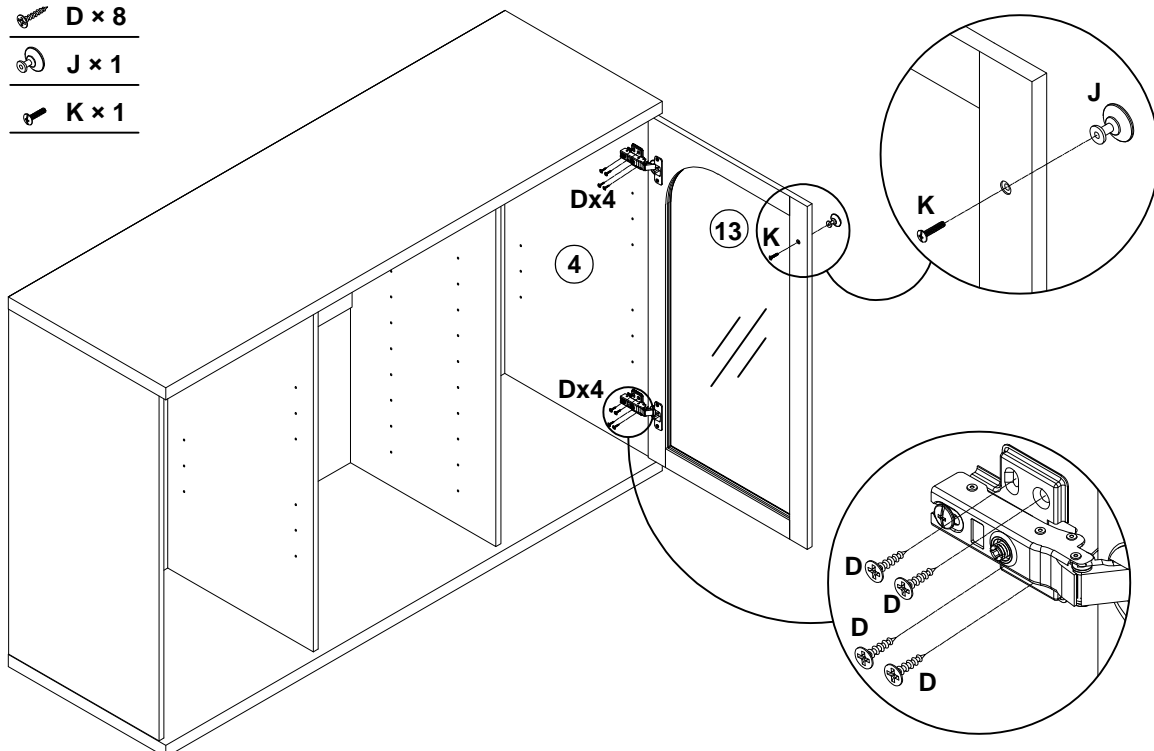


## STEP 12

 D x 8

 J x 1

 K x 1



# Vicissitudes

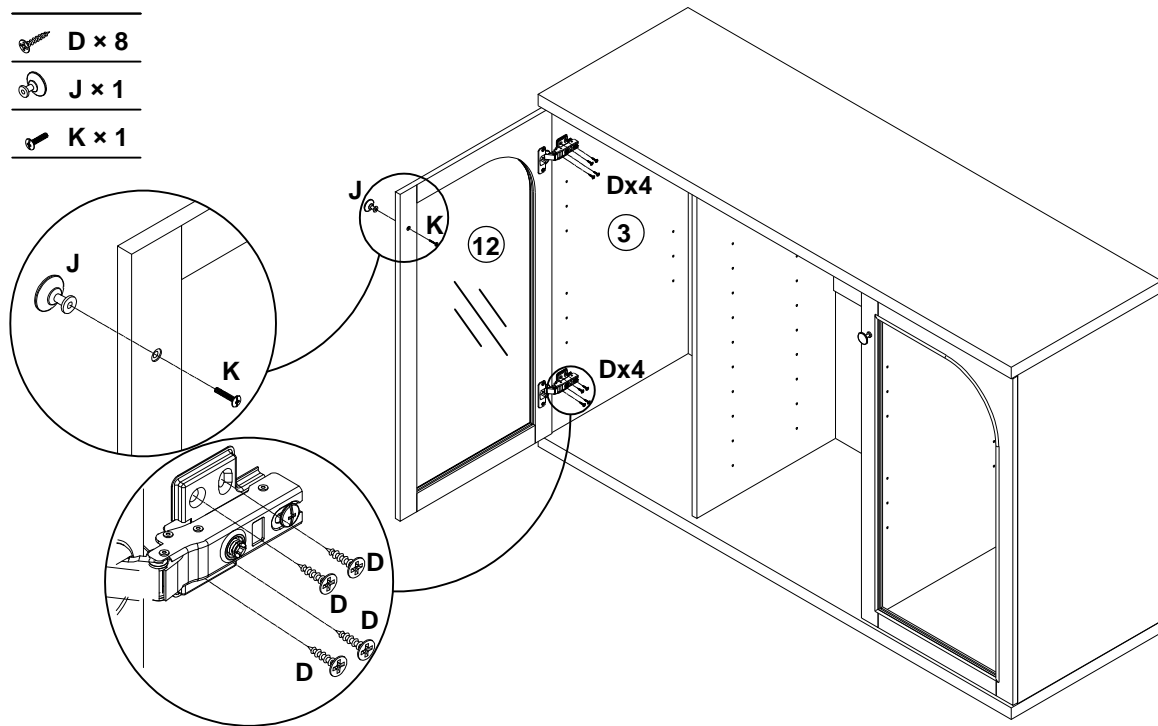
12

## STEP 13


 D x 8

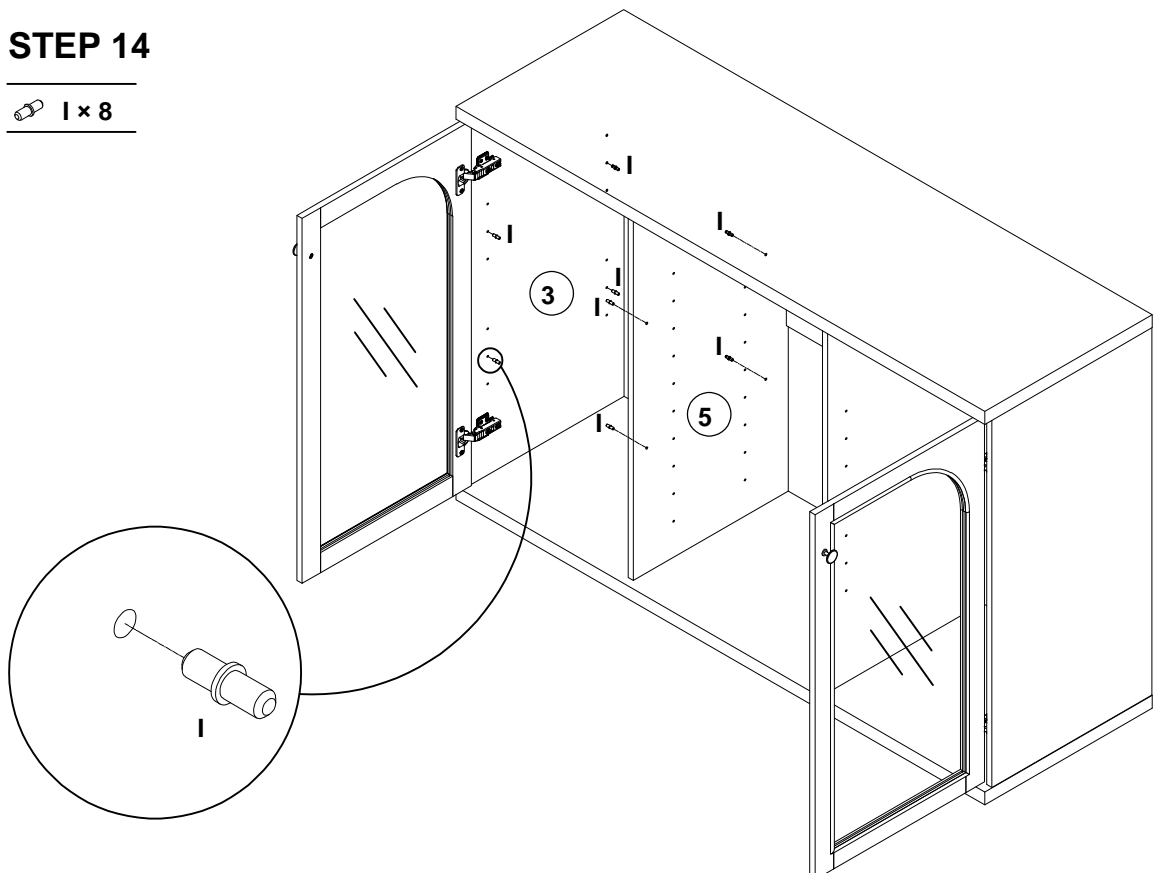
 J x 1

 K x 1



## STEP 14


 I x 8

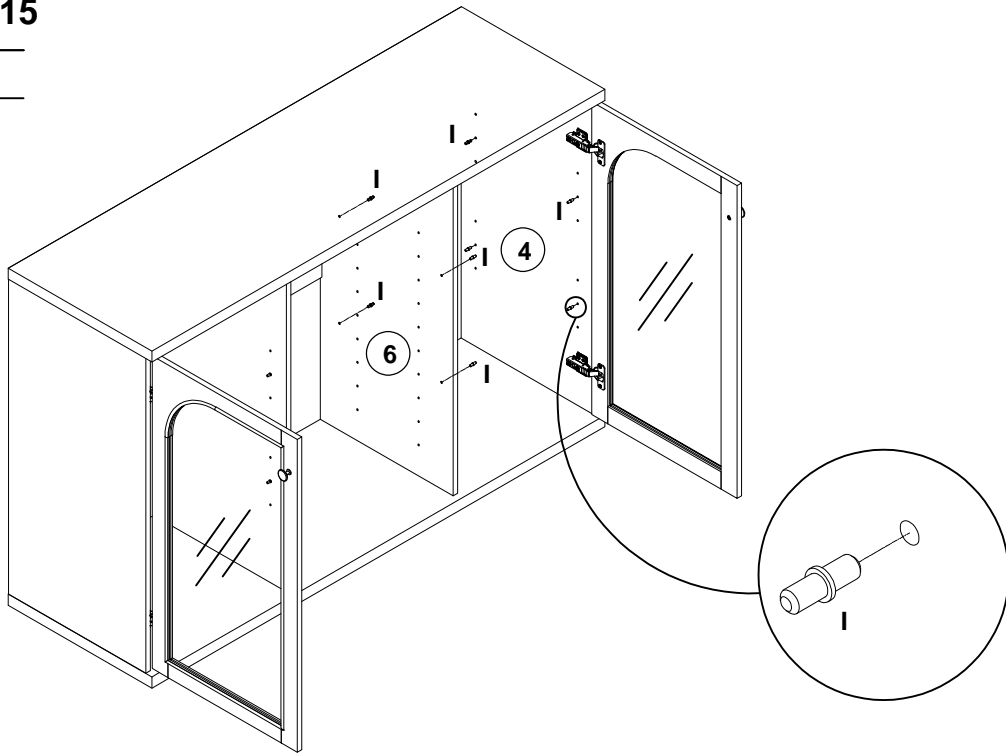


# Vicissitudes

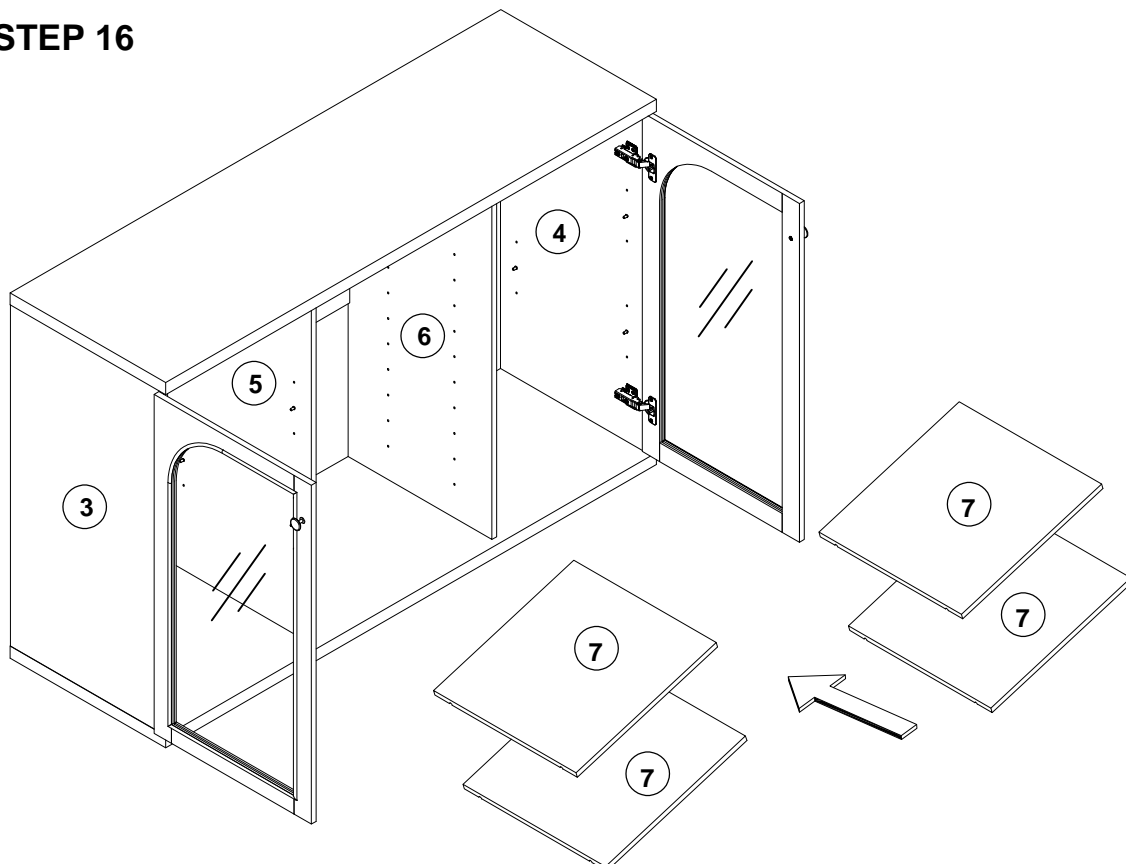
13

## STEP 15

 1 x 8




## STEP 16

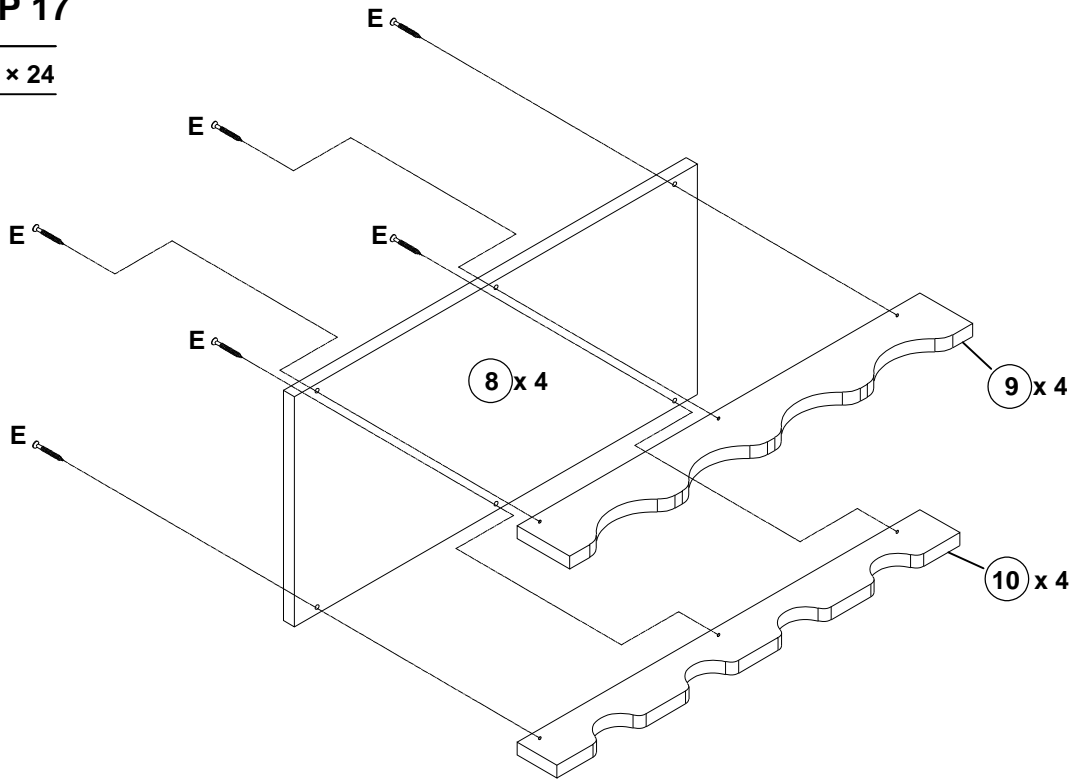


# Vicissitudes


14

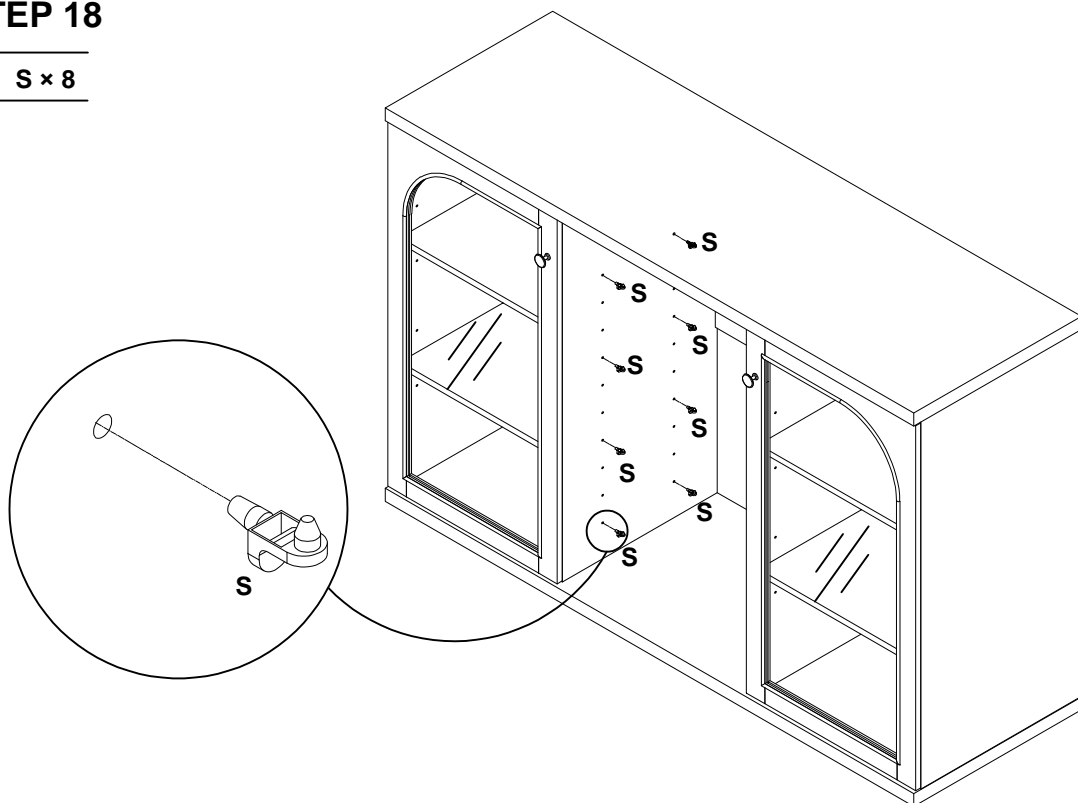
## STEP 17

 E x 24




## STEP 18

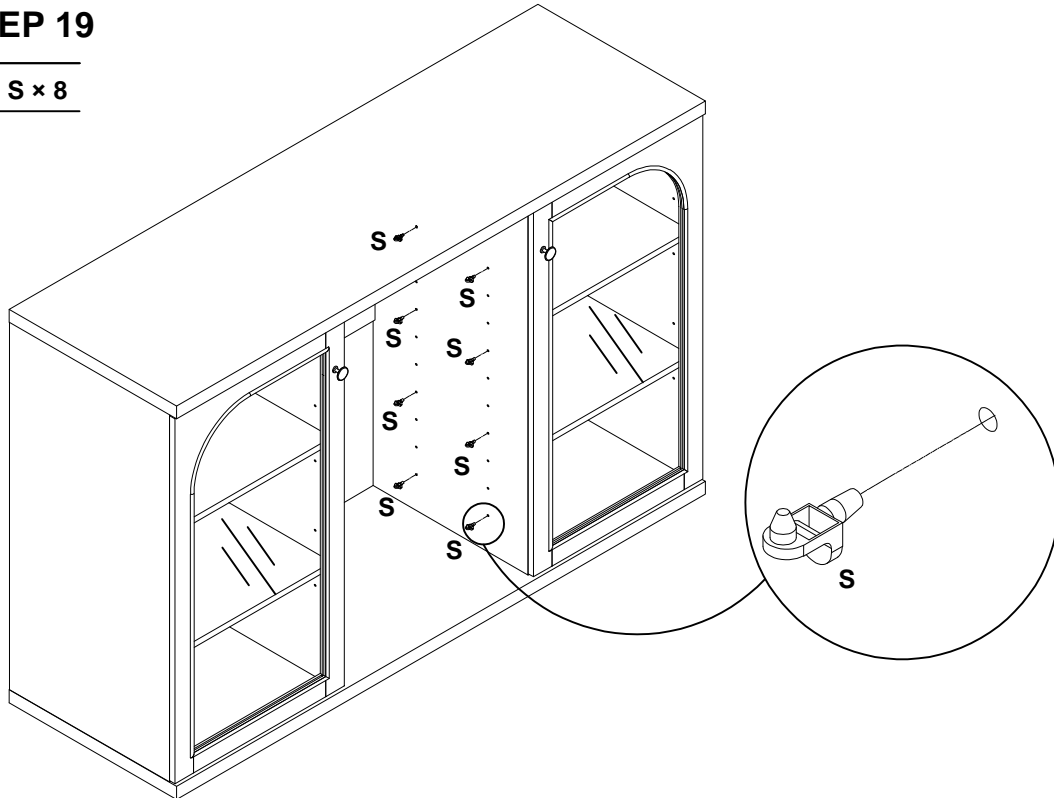
 S x 8



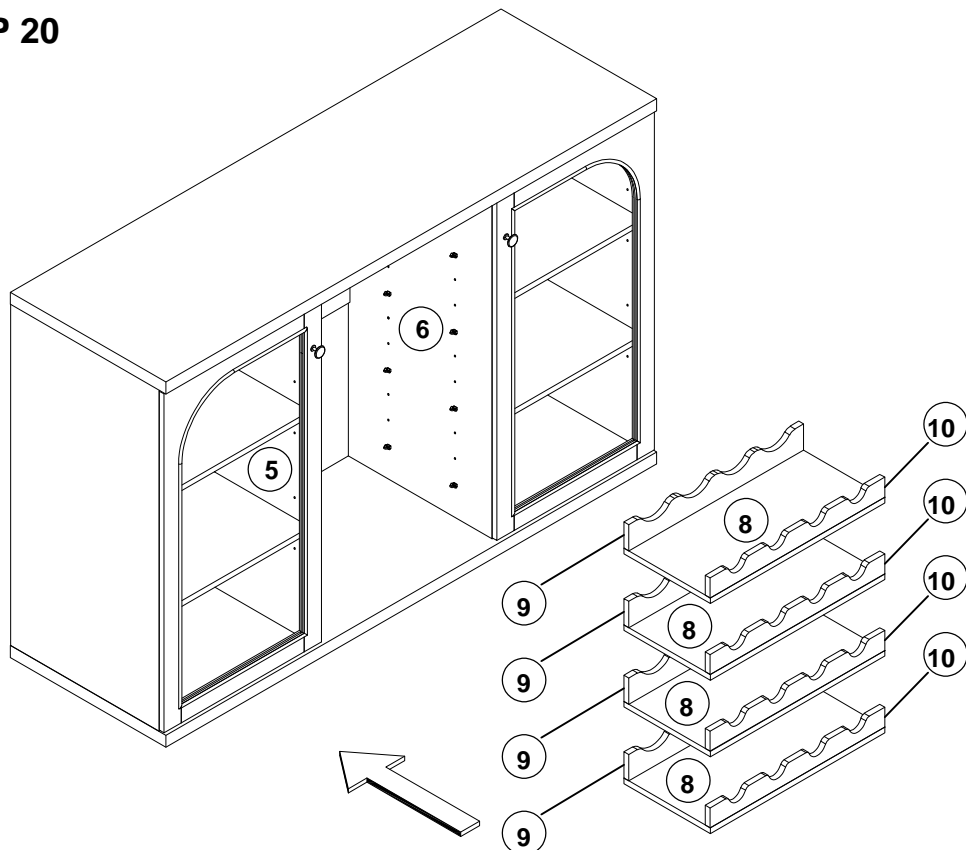
# Vicissitudes

## STEP 19

 S x 8





## STEP 20

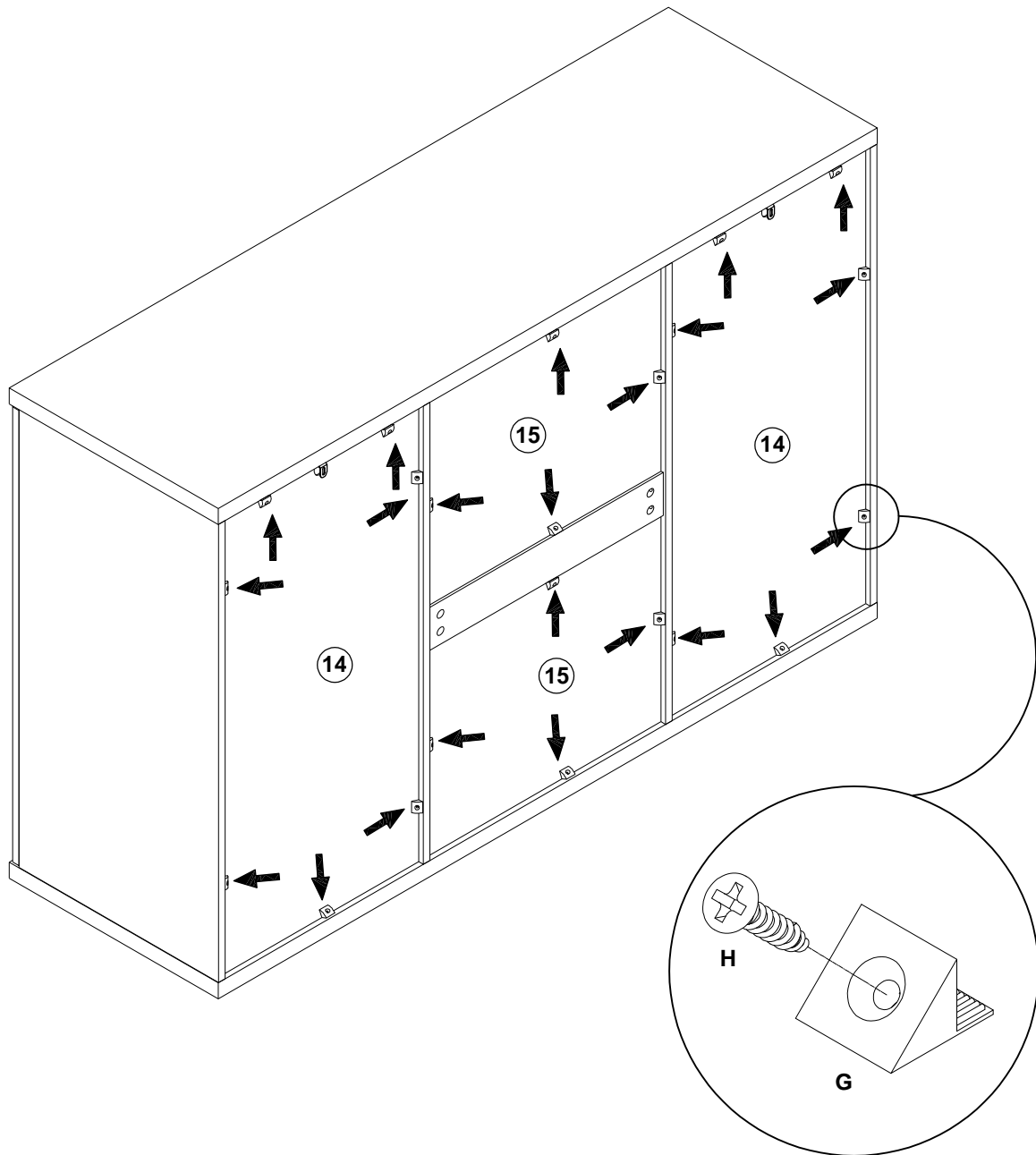


# Vicissitudes

## STEP 21

 **G × 22**


 **H × 22**

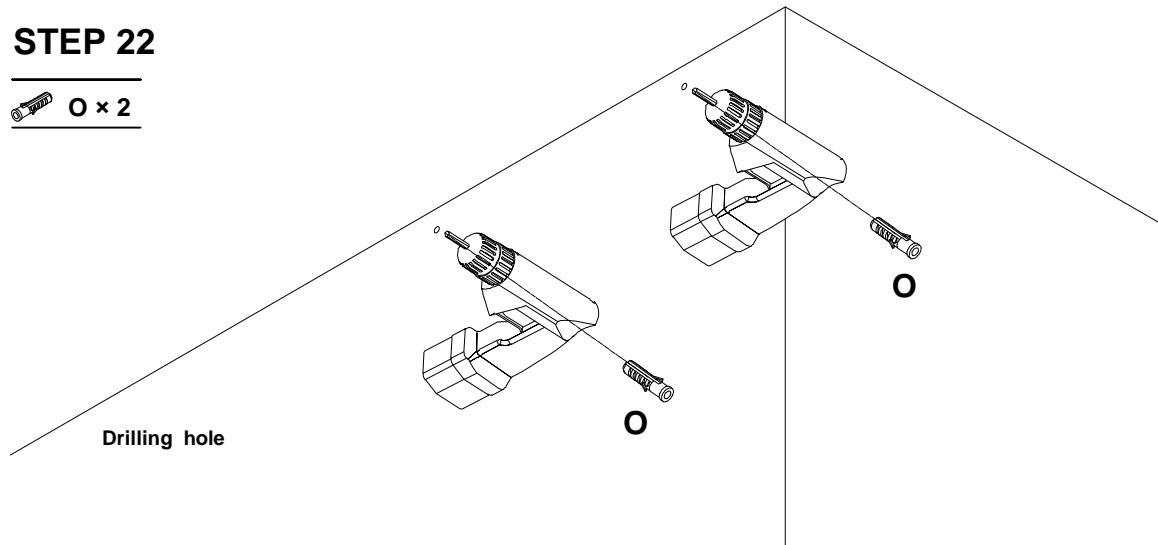


# Vicissitudes

17

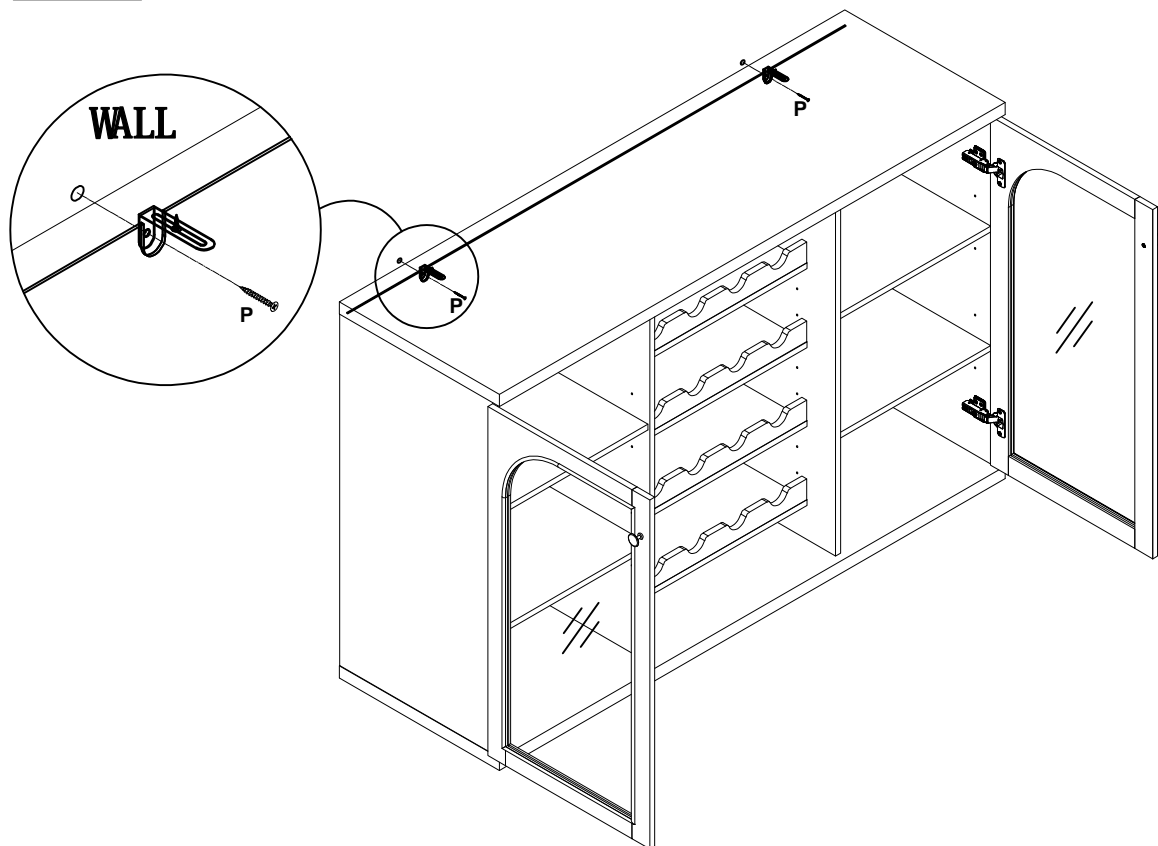
## STEP 22

 O x 2



## STEP 23

 P x 2



# Vicissitudes

## STEP 24

