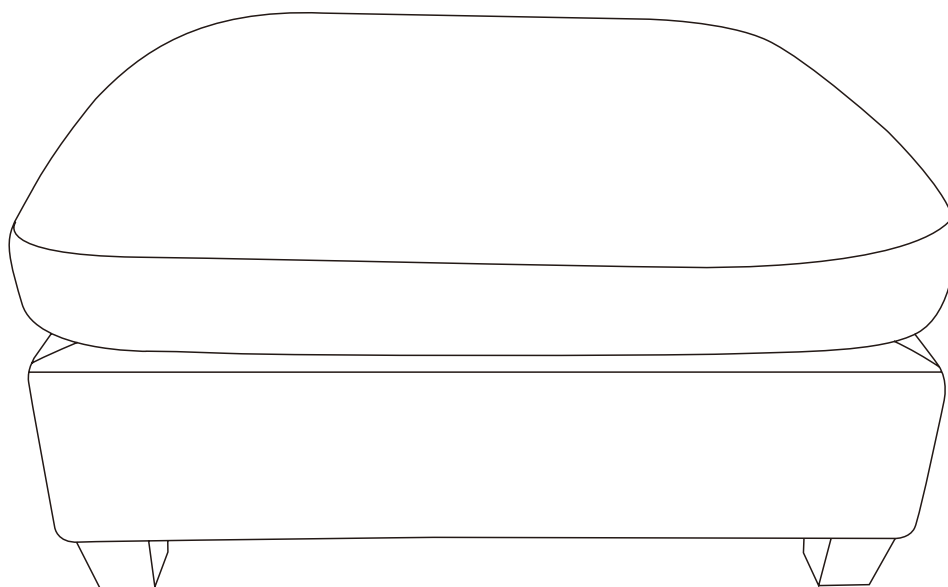


# ASSEMBLY INSTRUCTION

---

## Ottoman



Thank you for choosing our product.

To ensure safe and satisfactory use of this product, please carefully read the below instructions before hand.

1. Our cushions are vacuum packed for convenient shipping. Please allow 2-3 days for them to fully expand to their original shape and for any wrinkles to disappear.

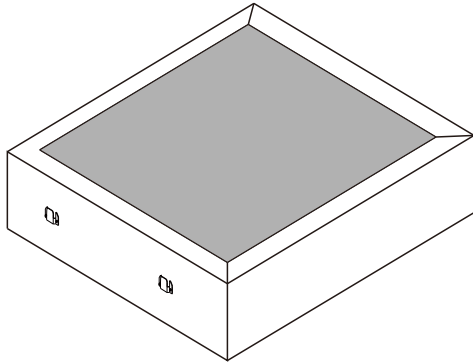
2. In the event that a part is damaged or missing, no need to return the product, we will gladly help and ship your replacement parts free of charge.

# Assembly Instructions

## OTTOMAN

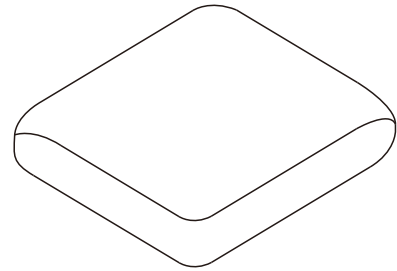
### Parts List

B



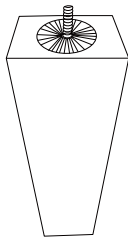
Seat frame\*1

Q



Seat cushion\*1

K

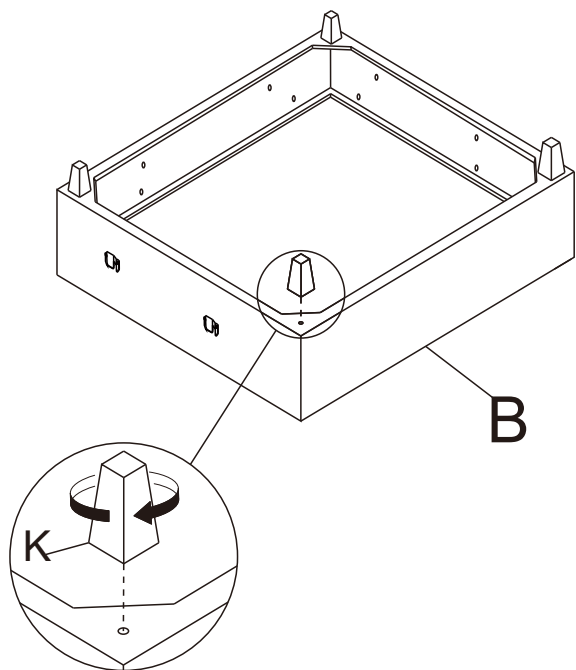


Leg\*4

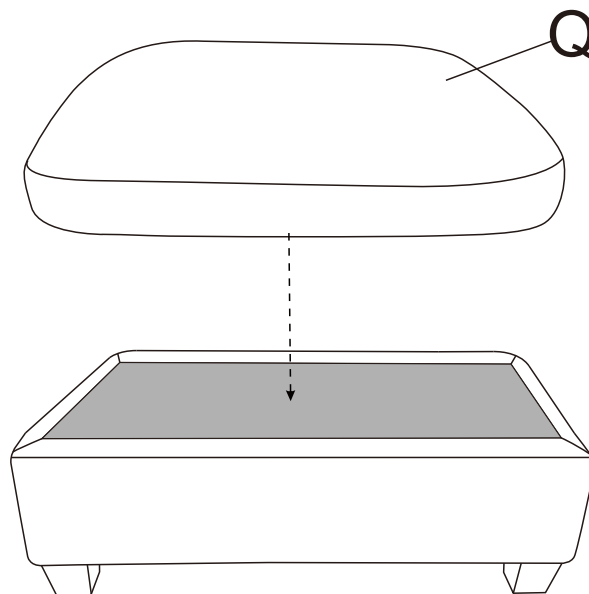
Note: Please retain all boxes until you are certain that your product isn't damaged and that you do not wish to return it. Disposal of boxes may prevent our ability to resolve your request.

# STEP 1

- ① Assemble the Leg(K) to the Seat frame (B) .



- ② Put Seat cushion(Q) to the sofa.



- ③ Completed.

