

**Important-Please read these instructions before assembly.**

If you encounter any problems during installation,  
please feel free to contact us!



**IMPORTANT INFORMATION  
READ CAREFULLY.  
KEEP THIS INFORMATION FOR FURTHER REFERENCE.**

### **GENERAL GUIDELINES**

- Please read the following instruction carefully and use the product accordingly.
- Please keep this manual and hand it over when you transfer the product.
- This summary may not include every detail of all variations and considered steps. Please contact us when further information and help are needed.

### **NOTES**

- Please follow the assembly instructions precisely and only use the product as intended.
- If an odor is present when first opening the package, please leave the unwrapped product in a shaded and ventilated area for a few days to air out.
- Prior to assembly, please check the product for defects or missing accessories. If any defects are found or accessories are missing, do not use product as damage or injury may occur;
- Please contact us for assistance and replacement.
- During assembly, please only slightly tighten all screws in their correct position first, then fully tighten them. A Philips screwdriver is recommended but not included.
- It is suggested you regularly check the products bolts and connections to ensure safe use.
- Assemble the item on a soft flat and clean surface to avoid scratches and damage.

### **WARNINGS**

- During assembly, keep parts and packaging materials away from children and pets as there could cause injury and are a potential choking hazard.
- Avoid sharp objects or corrosive chemicals to prevent damage to the product.
- Please open the item slowly and cautiously to avoid pinching your hands by metal joints, especially children.
- The desk must be reset to the lowest height before starting to use the desk and when it needs to disassemble the accessories be reinstalled.



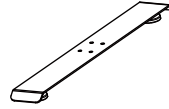
① Crossbar



② Side Plate



③ Right Desk Leg



④ Leg Base



⑤ Mouse Pad



⑥ Controller



⑦ Left Desk Leg



⑧ AC Adapter Holder



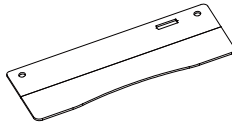
⑨ Rod Coupler



⑩ Wood Dowel Pin



⑪ Transmission Rod



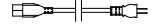
⑫ Desktop



⑬ AC Adapter



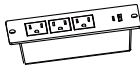
⑭ Storage Hook



⑮ Power Cable



⑯ Caster



⑰ Socket

### Screw details



A M6\*25 X8



B M6\*1\*14 X4



C Allen Wrench



D M6\*14 X34



E ST4\*13 X2



F Desktop Panel Connector



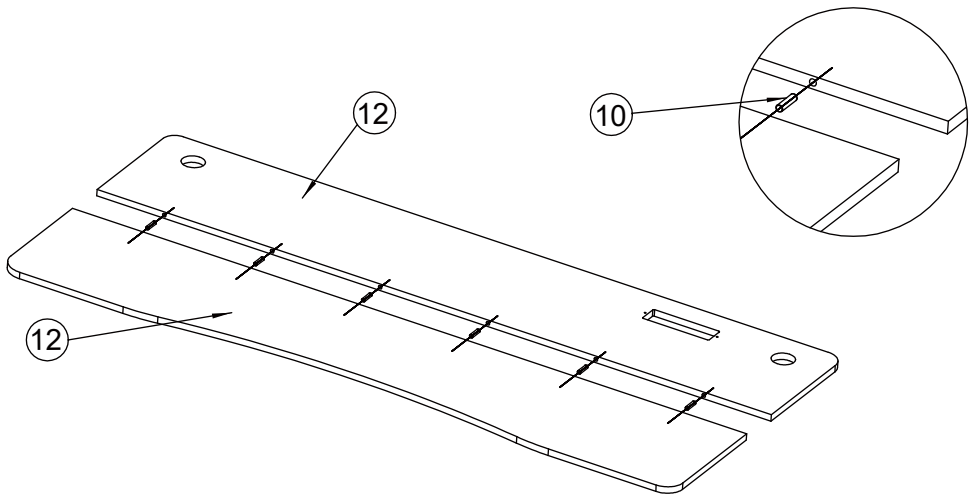
H Cable Clip



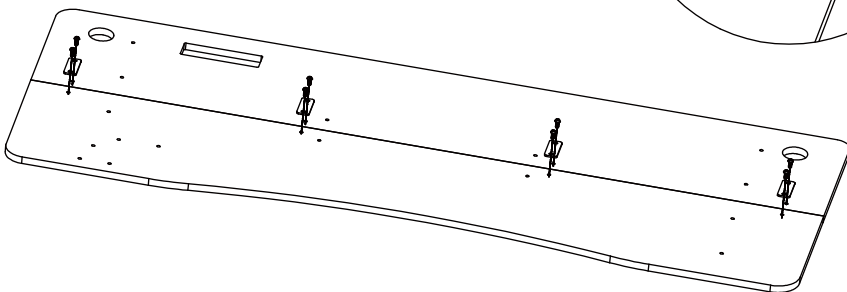
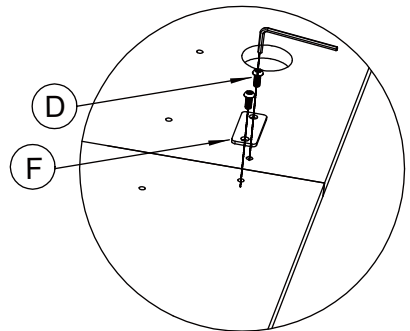
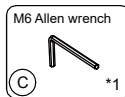
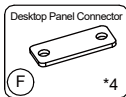
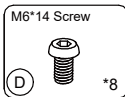
I Wrench



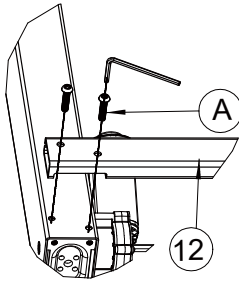
J M8\*1.25\*8 X2



**STEP 1:** Use wood dowel pins to join the two desktop panels together.



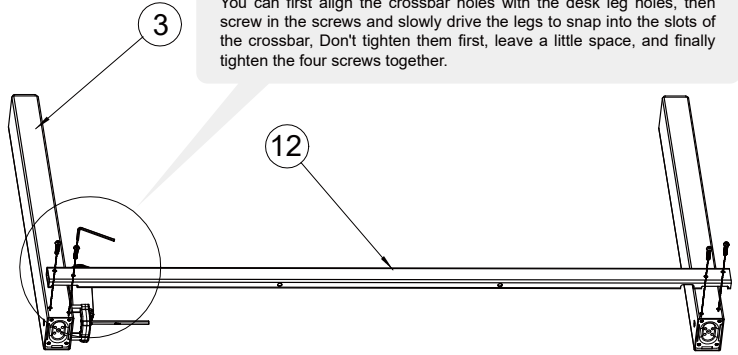
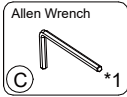
**STEP 2:** As shown in the picture above, the two desktops are fixed as a whole one by M6\*14 screws (D) using 4 Desktop Panel Connector (F) respectively according to the position of the pre-drilled holes.



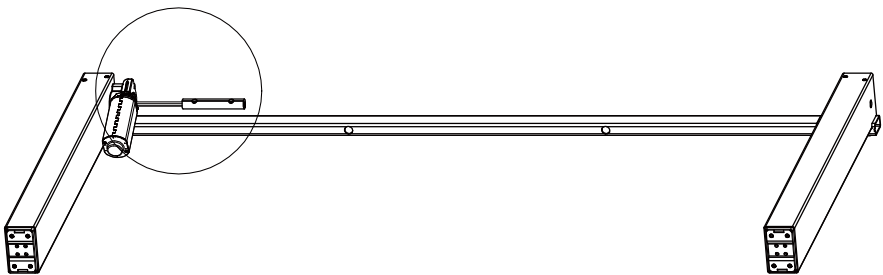
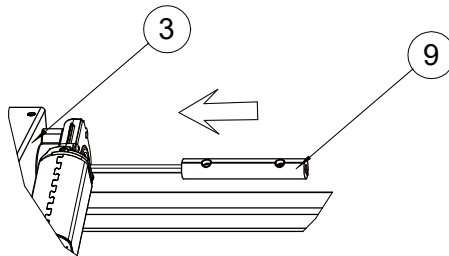
It is recommended that you choose an open, flat surface or use a mat to level the work surface during installation to prevent injuries or scratches to the tabletop and frame.

Do not test the desk leg lift alone without securing the controller.

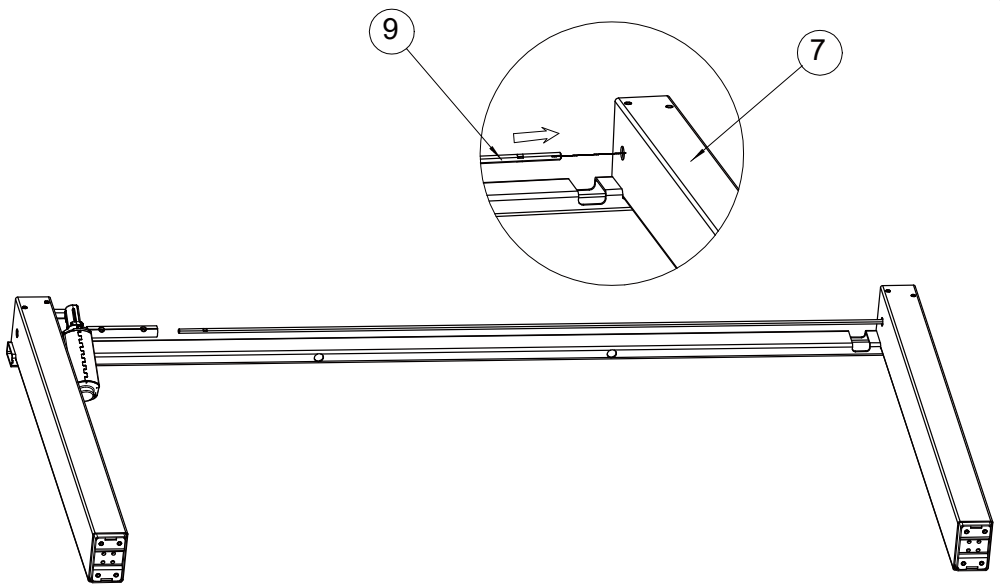
You can first align the crossbar holes with the desk leg holes, then screw in the screws and slowly drive the legs to snap into the slots of the crossbar. Don't tighten them first, leave a little space, and finally tighten the four screws together.






**STEP 3:** Lock the Crossbar (1) and lift left desk leg (without motor) (3) and lift right leg (with motor) (7) with 2 M6\*25 screws (A) respectively with M6 Allen wrench (C) (as shown in the illustration).

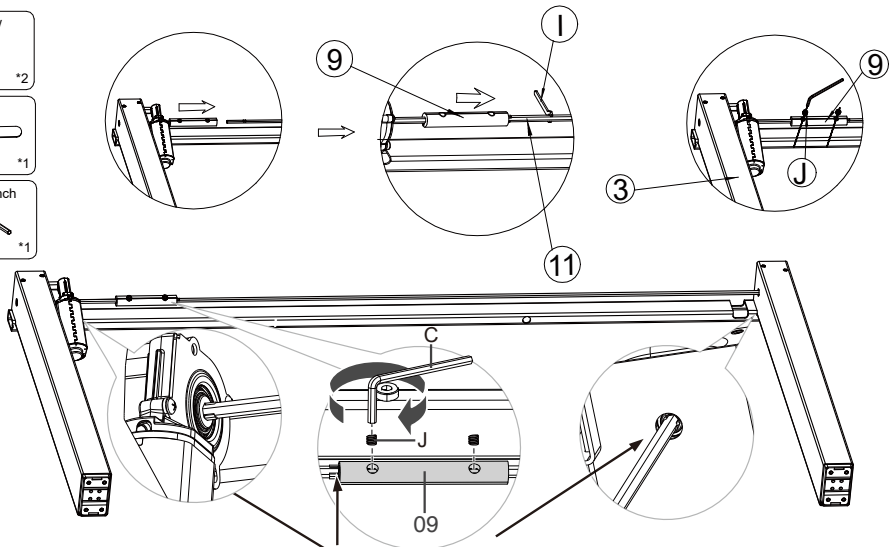


**STEP 4:** Slide the Rod Coupler (9) onto the right desk leg (with motor) (3) as shown above, ensuring that the holes are on the outside.



**STEP 5:** Tuck the Transmission Rod (11) into the Left Desk Leg(no motor) (7) against the head as shown above.

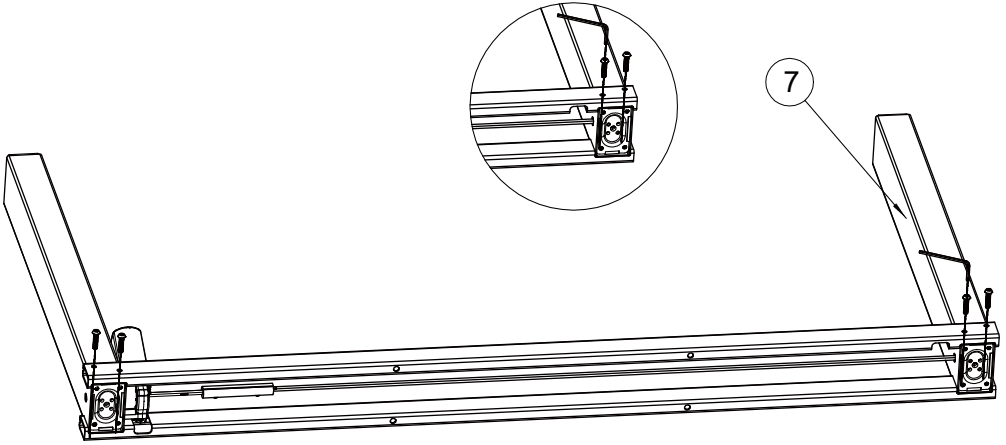
- Set Screw  
 \*2  
 (J)
- Wrench  
 \*1  
 (I)
- Allen Wrench  
 \*1  
 (C)



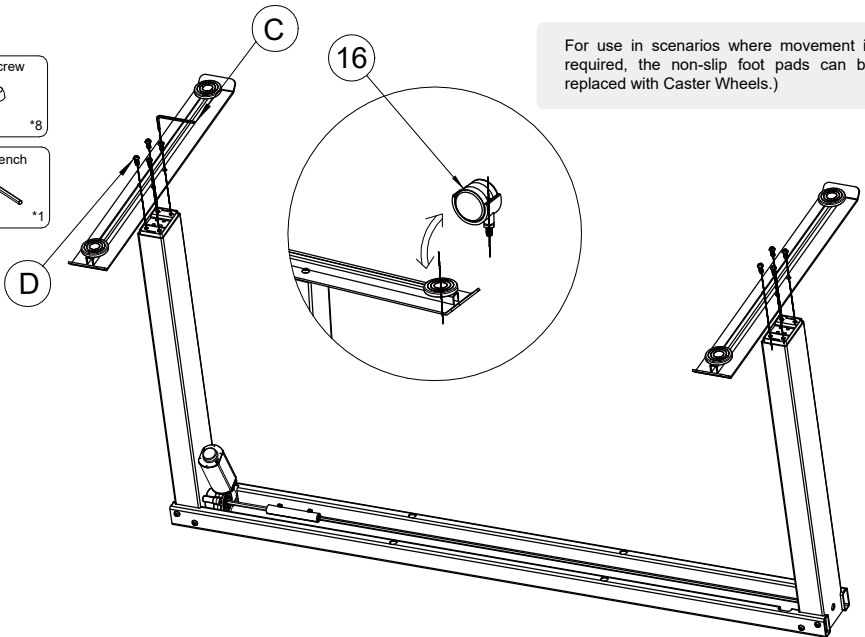
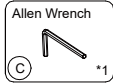
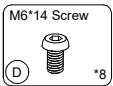
**Note:** When installing the transmission rod, the limit hole at the connection between the transmission rod coupling and the transmission rod needs to be stuck in place, and the limit hole between the transmission rod and the two table legs also needs to be stuck in place.

**STEP 6:** As shown in the above picture, move the Rod Coupler to the left to the Transmission Rod limit bump A, and use the Allen Wrench (C) to tighten the M8\*8 set screw (J). (Note: If the Rod Coupler cannot be inserted properly, use the Wrench to fine-tune the Transmission Rod until it can be inserted properly.)

(You can first align the Crossbar holes with the Desk Leg holes, then screw in the screws and slowly drive the legs to snap into the slots of the crossbar. Don't tighten them first, leave a little space, and finally tighten the four screws together)

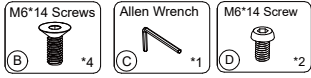
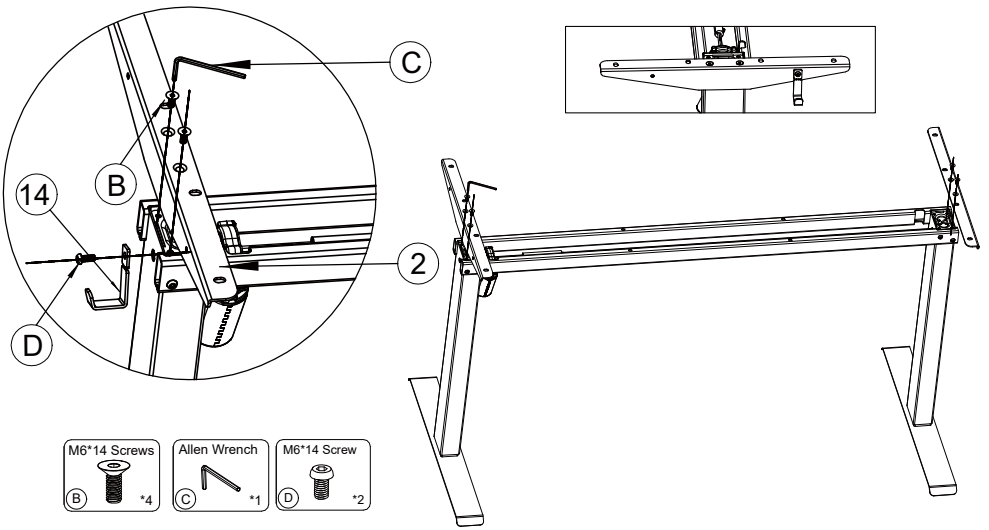


**STEP 7:** Lock the Crossbar (1) with the Left Desk Leg (without motor) (7) and the Right Desk Leg (with motor) (9) with two M6\*25 screws (A) (4 in total) by using the M6 Allen Wrench (C).

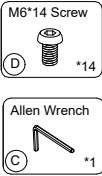
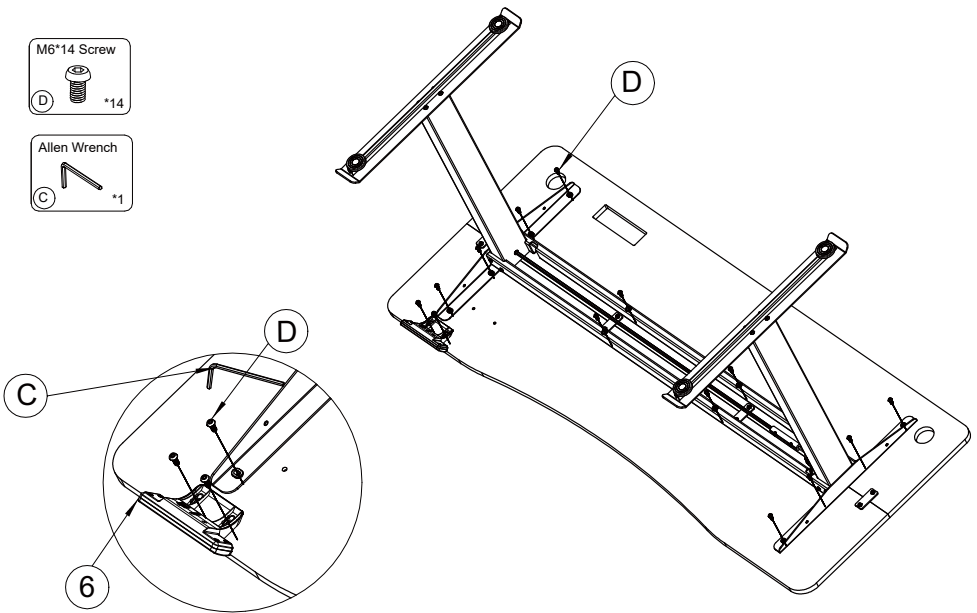


For use in scenarios where movement is required, the non-slip foot pads can be replaced with Caster Wheels.)

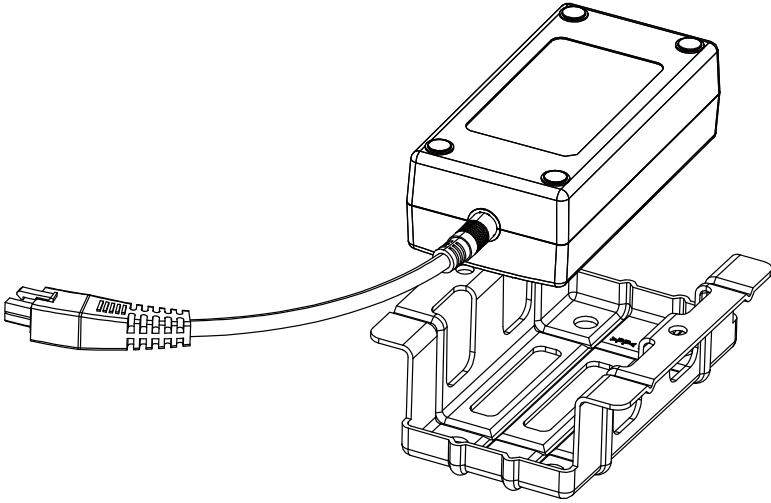
**STEP 8:** As shown above, use M6 Allen Wrench (C) to lock the two Leg Bases to the two Desk Legs via 4 M6\*14 screws (D) (8 in total)



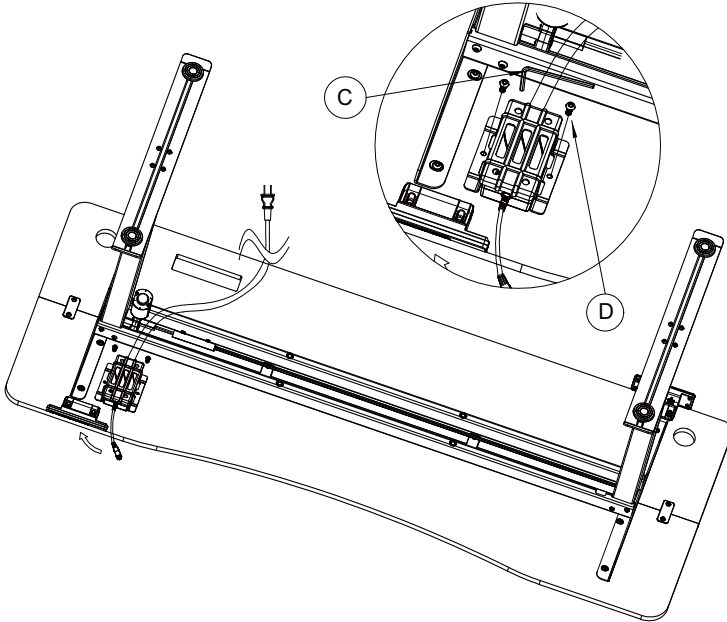
**STEP 9:** Attach the Side Plates (2) to the Desk Legs (3)(7) and tighten them with M6\*14 screws (B) through M6 Allen wrench (C), and then fix the hooks (14) to the side panels with M6\*14 screws (D). The above table frame assembly is completed, as shown in the above picture, please note that the table frame has been fully installed with rubber mats.



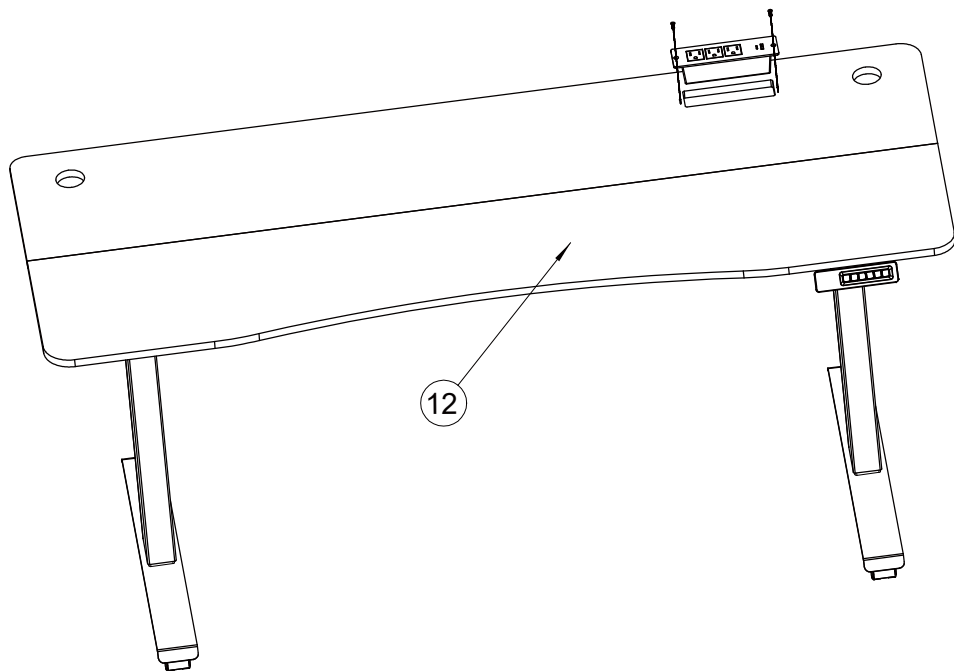
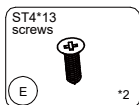
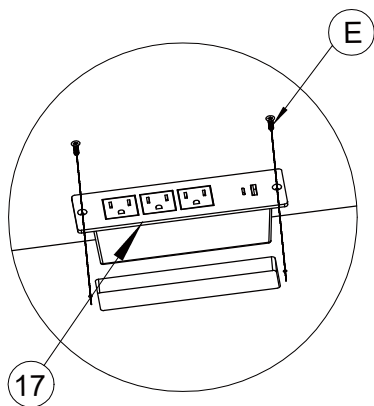
**STEP 10:** As shown in the above picture, please fix the table frame, Controller (6) to the desktop by M6\*14 screws (D).



**STEP 11:** Place the AC Adapter (13) in the adapter holder (8) as shown above.

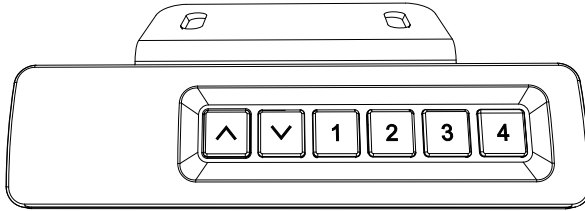


**STEP 12:** As shown in the picture above, fix the AC Adapter Holder (8) through the M6 \* 14 screws (a total of 2) (D) , connect the motor cable to the Controller A port , connect the Controller B port to the AC Adapter cable, connect the AC Adapter to the Power Cable (15), connect the Power Cable to the 220V household power supply, and then use the Cable Clip (H) to fasten the extra power cable to the desktop.



**STEP 13:** Place the desk squarely on the ground, put the Socket (17) into the mounting holes, use a screwdriver to fix the ST4\*13 screws(E) with the desk plate (L), after the installation is complete, you can carry out the reset step, and after the reset, carry out the lifting and other operations.

# Using the Controller



**Note:** Ensure that there are no obstacles when using the desk, that the desktop is not right next to the wall, and that all cables are long enough for the desk to move up and down freely. When the controller screen is off (power-saving mode), press any button to wake it before operating the desk.

**Suggestion:** Set the most comfortable height when you sit down to **1** and the most comfortable height when you stand up to **2**. The other two presets can be set for another user or to other heights you want to use.

## Raise the Desk

Press the button **▲** to raise the desk continuously until it reaches the highest position of 46.5 (118cm) or the button is released.

## Lower the Desk

Press the button **▼** to lower the desk continuously until it reaches the lowest position of 27.5" (70cm) or the button is released.

## Save Height Settings

Four heights can be stored. Press and hold the **1** / **2** / **3** / **4** button for 3 seconds. The digital number will flash three times and the current height will be stored to that button.

## Select Height Setting 1

Press the **1** button, and the desk will move to the height that was previously set for that button. Press any button to stop the desk.

## Select Height Setting 1

Press the **1** button, and the desk will move to the height that was previously set for that button. Press any button to stop the desk.

### Select Height Setting 3

Press the **[3]** button, and the desk will move to the height that was previously set for that button. Press any button to stop the desk.





### Select Height Setting 4

Press the **[4]** button, and the desk will move to the height that was previously set for that button. Press any button to stop the desk.

## Setting

<b>Reset</b>	<ol style="list-style-type: none"><li>1. Press and hold the <b>[✓]</b> button until the desk goes down to its lowest level, and then release the button.</li><li>2. Press and hold the <b>[✓]</b> button for 5 seconds until the screen displays 'RST,' and then release the button with 'RST' flashing.</li><li>3. Press and hold it again until the desk goes down to its lowest level and comes back up slightly. The screen will display current height again, and reset is complete.</li></ol>
<b>Lock/Unlock</b>	Press and hold <b>[1]</b> and <b>[2]</b> buttons together for 3 seconds to turn the lock on. The screen will display 'LOC' and the buttons will be disabled. Repeat to turn the lock off again.
<b>Change Display Height Units</b>	Press and hold <b>[1]</b> and <b>[3]</b> buttons together for 3 seconds to switch the display height unit. The default unit is imperial.
<b>Change Collision Detection Sensitivity</b>	<ol style="list-style-type: none"><li>1. Press and hold <b>[1]</b> and <b>[4]</b> buttons together for 3 seconds, and 'S02' will flash on the screen. The last digit displayed is the current sensitivity level, and the value range is 0–3 (0: off; 1–3: highest to lowest).</li><li>2. Select other levels by pressing <b>[△]</b> or <b>[▽]</b> button, and then press and hold <b>[1]</b> and <b>[4]</b> buttons together for 3 seconds. The digits will stop flashing, and the screen will display current height again.</li></ol>
<b>Set/Clear Lowest Limit</b>	<ol style="list-style-type: none"><li>1. To set the lowest height limit, press and hold <b>[✓]</b> and <b>[1]</b> buttons together for 3 seconds, and the screen will display '-dO' Whenever the desk reaches the lowest limit, the screen will display '-LO.'</li><li>2. To clear the lowest height limit, move the desk down to the lowest height (screen displays '-LO') and press <b>[✓]</b> and <b>[1]</b> buttons together for 3 seconds. '-dO' will flash on the screen, and the limit will be cleared.</li></ol>

## Set/Clear Highest Limit

1. To set the highest height limit, press and hold  and  buttons together for 3 seconds, and the screen will display ‘-UP’. Whenever the desk reaches the highest limit, the screen will display ‘-HI.’
2. To clear the highest height limit, move the desk up to the highest height (screen displays ‘-HI’) and press  and  buttons together for 3 seconds. ‘-UP’ will flash on the screen and the limit will be cleared.

## Troubleshooting

1. Please try resetting the desk if you have any issues like the following:
  - Abnormal operation.
  - The controller screen displays ‘RST’ (reset).
  - The controller screen displays error message E07 or E08, but the motor cable is connected correctly.
  - Troubleshooting method for E01 fault: Press and hold the "down" button until it reaches the lowest height. After releasing your hand, press and hold the "down" button for 5 seconds, and then it will enter the reset state.
2. If the controller screen displays ‘HOT,’ please wait 20 minutes for the motor to cool down before making any further height adjustment.