

ASSEMBLY INSTRUCTIONS



⚠ SAFETY TIPS:

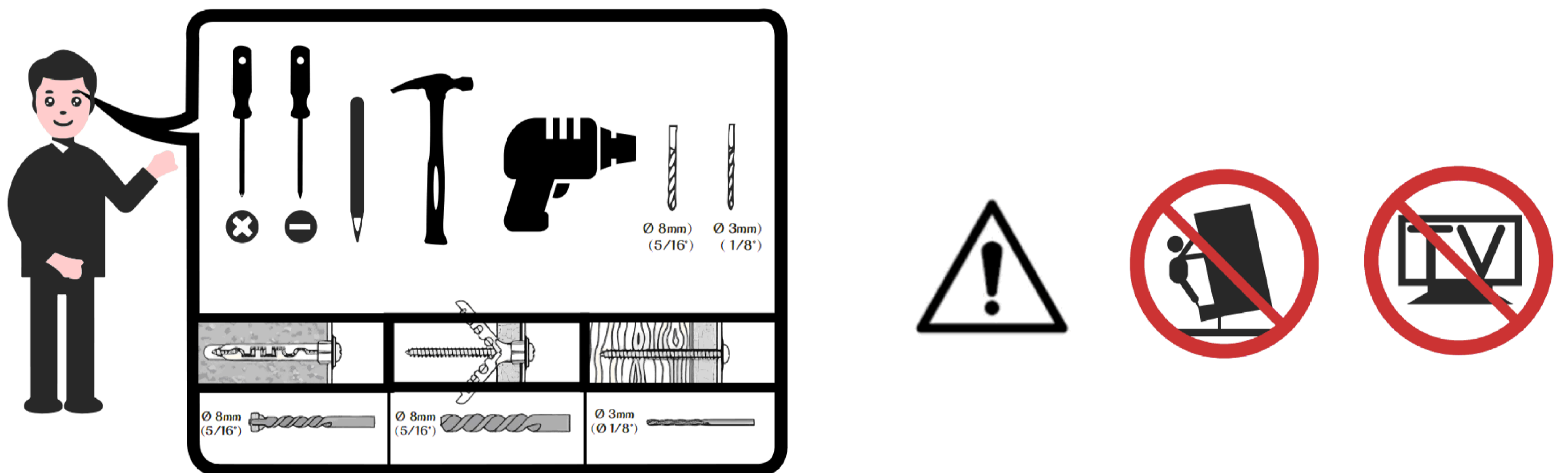
Static charge may cause dust on foam-clean with a dry or damp cloth. Small foam strands may be present-handle gently and dispose of properly. Do not burn or incinerate. Check local recycling guideline.

Have an assembly question or need a replacement part?
Please contact with our customer service.

Warnings

Important reminder:

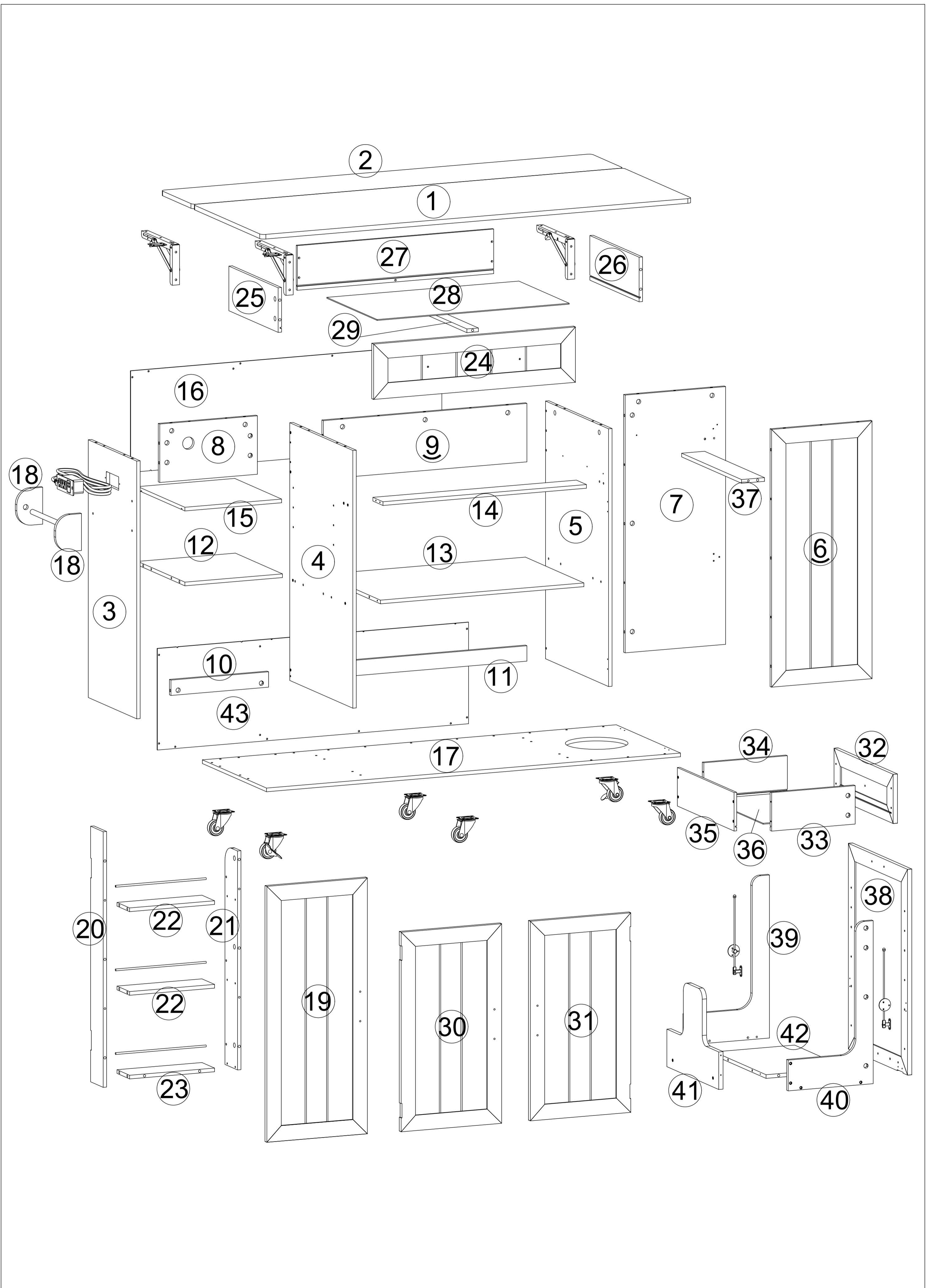
- ⚠ Please sort and check all accessories before assembly.
 - ⚠ Place the product on an empty cardboard box or on carpet to prevent scratches.
 - ⚠ Please use proper tools for assembly. Using an electric screwdriver can accelerate the assembly speed, but please do not overtighten the screws.
 - ⚠ Please follow the assembly steps and do not skip any of them.
 - ⚠ If possible, please find a partner to help you with assembly, which can accelerate assembly.
 - ⚠ Keep all small parts of this product away from children. They may cause serious injury.
 - ⚠ We hope you can retighten the screws 2 weeks after assembly, and check the tightening procedure of the screws every 3 months.
- If you meet any difficulty, our friendly customer team are always ready to help you.



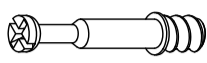
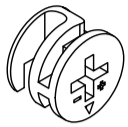
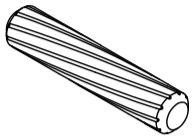
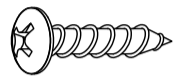
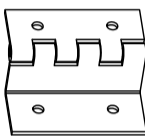
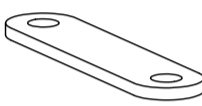
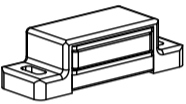
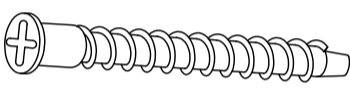

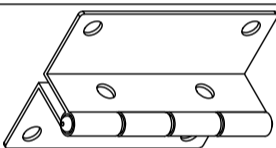
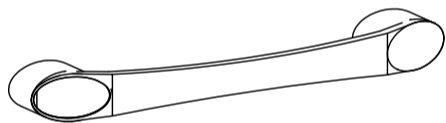

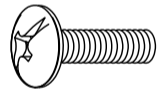
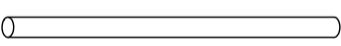
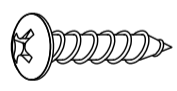
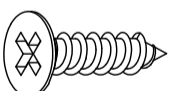
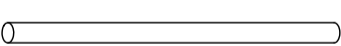
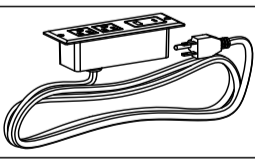
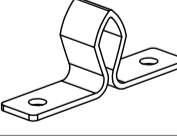
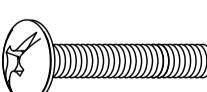
Warning: Overturning the product can cause serious crushing injuries. We have a wall connection device attached, please use it to hold the furniture following assembly instructions. Do not change the structure of this product in any way. Our products have been tested and meet any local sales specific security measures. We won't be responsible for any modifications, which may cause significant security risks.

Two people are needed to assemble this furniture.

Explosion Diagram

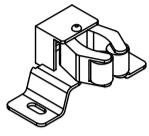
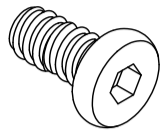

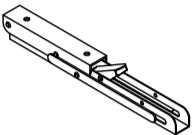

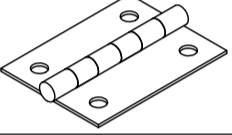


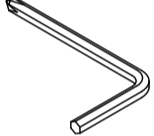
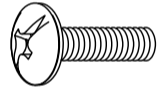
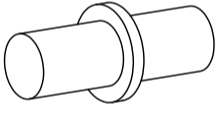

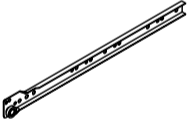
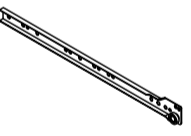
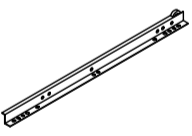
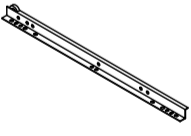
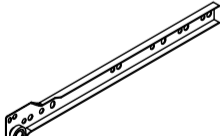
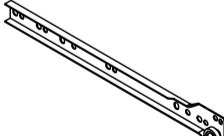
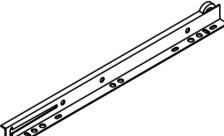
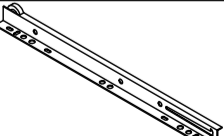


Hardware List

No.	Code	Diagram	Description	Quantity	Spare
1	A		Ø6 x 33.5 mm	62	2
2	B		Ø15 x 9 mm	72	2
3	C		Ø6 x 30 mm	56	2
4	D		Ø3 x 17 mm	4	
5	E			6	
6	F			2	
7	G			2	
8	H		Ø5 x 38 mm	52	2
9	Y		Ø3.5 x 12 mm	64	2
10	J			2	
11	K			4	
12	L			3	
13	M		M4*12 mm	3	
14	N		Ø16 mm	1	
15	Z		Ø3 x 12 mm	25	2
16	P		Ø3.5 x 12 mm	22	2
17	Q		Ø6 mm	3	
18	R			1	
19	S			1	
20	T		M4 x 20 mm	8	2

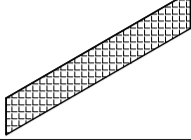
THE SPARE BAG INCLUDED EXTRA HARDWARE FOR DAMAGED OR MISSING SMALL HARDWARE WHILE YOU ARE ASSEMBLING

Hardware List

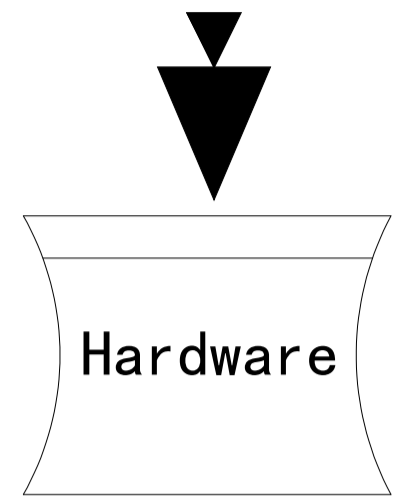
No.	Code	Diagram	Description	Quantity	Spare
21	U			1	
22	V		M6*10 mm	24	2
23	W		Ø25 mm	72	2
24	AA			3	
25	BB			2	
26	CC			3	
27	DD			4	
28	EE			2	
29	FF		S4	1	
30	GG		M4*10	6	
31	HH			4	
32	JJ		6*40	10	2
33	CL		400MM	1	
34	CR		400MM	1	
35	DL		400MM	1	
36	DR		400MM	1	
37	CL		300MM	1	
38	CR		300MM	1	
39	DL		300MM	1	
40	DR		300MM	1	

THE SPARE BAG INCLUDED EXTRA HARDWARE FOR DAMAGED OR MISSING SMALL HARDWARE WHILE YOU ARE ASSEMBLING

Hardware List

No.	Code	Diagram	Description	Quantity	Spare
41	KK			3	

Spare parts are packed together in one package.

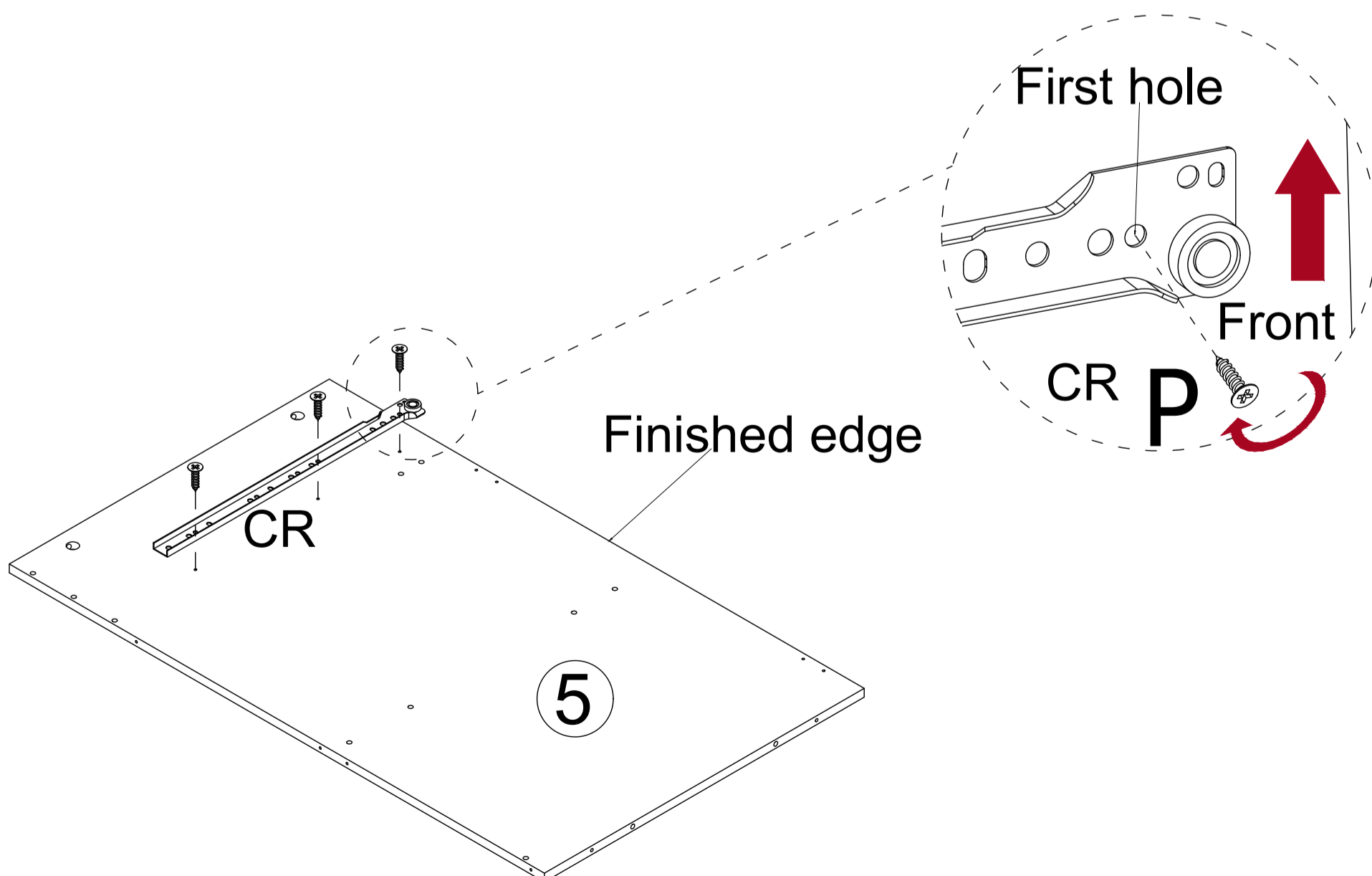
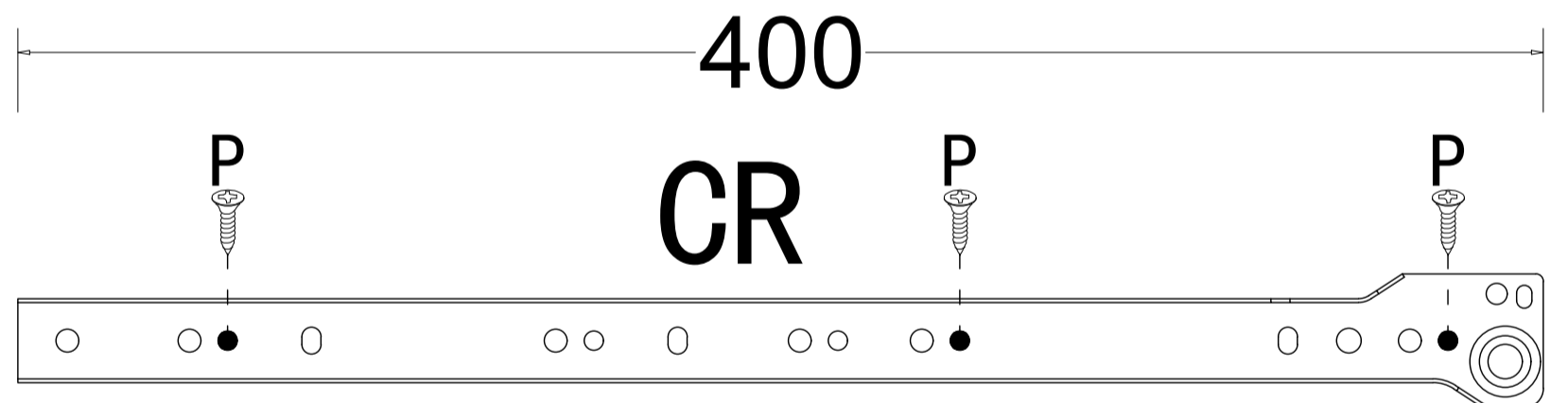
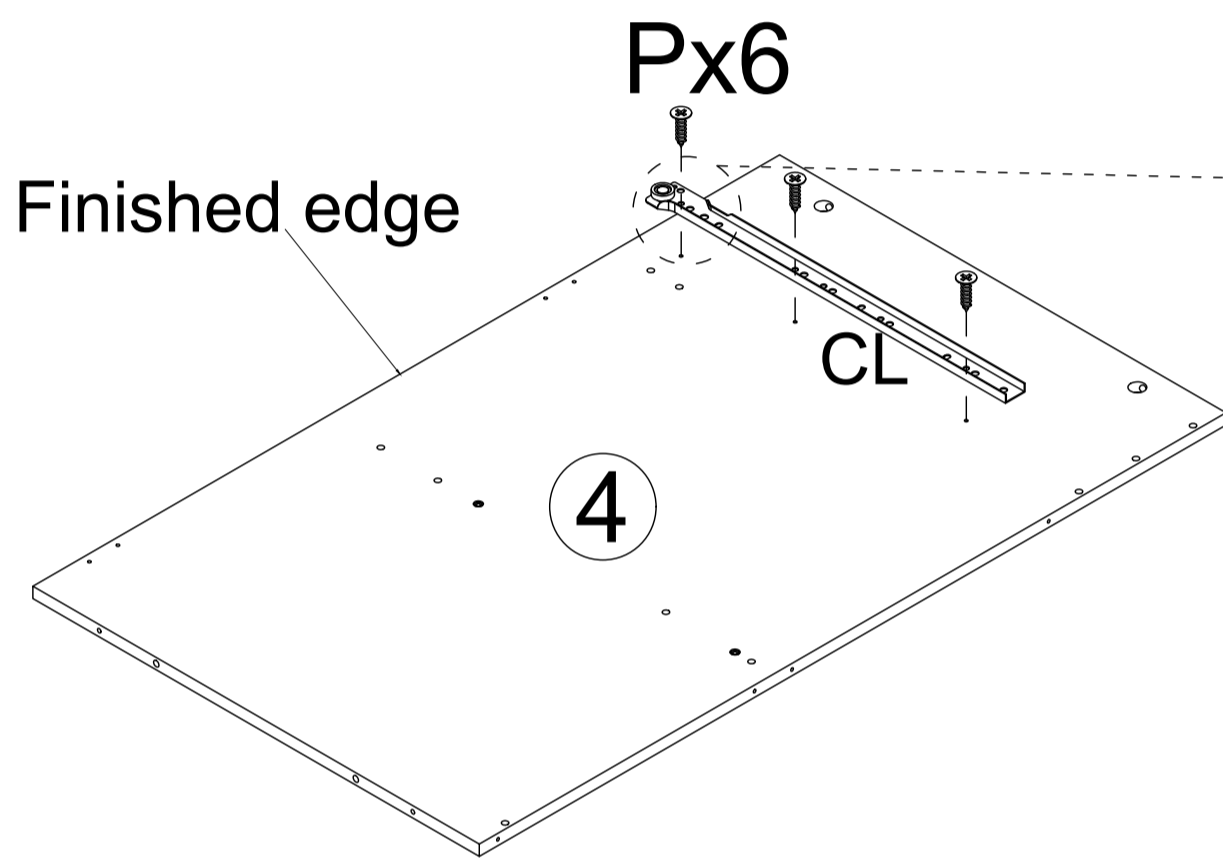
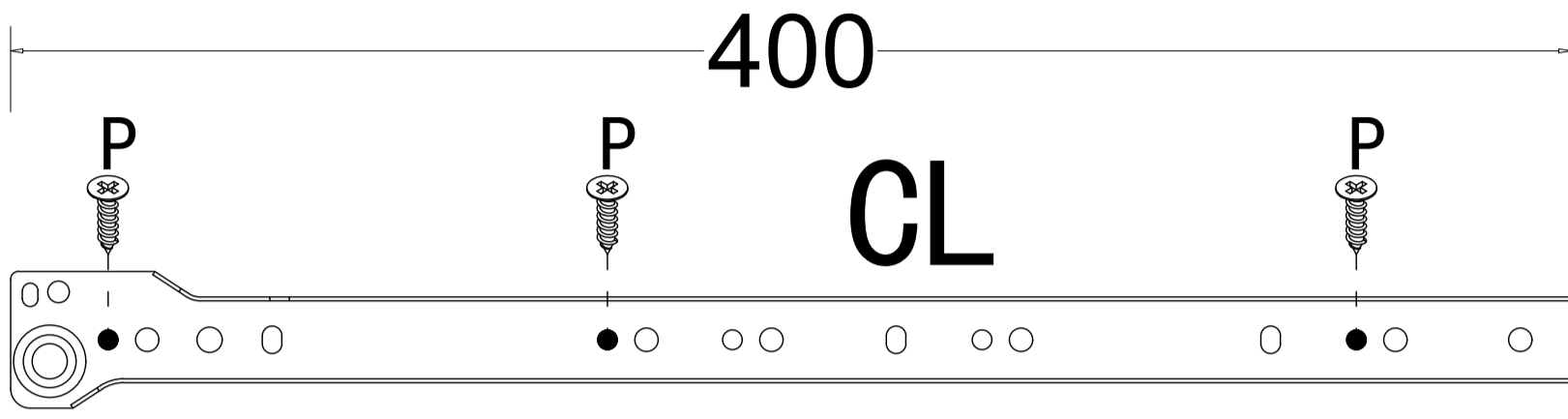


THE SPARE BAG INCLUDED EXTRA HARDWARE FOR DAMAGED OR MISSING SMALL HARDWARE WHILE YOU ARE ASSEMBLING

Assemble

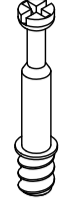
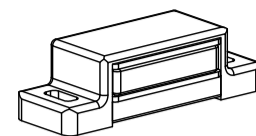
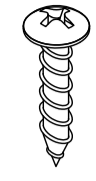
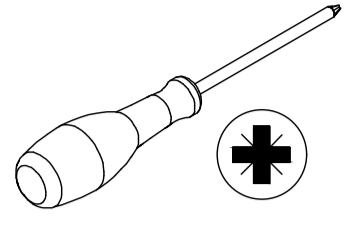
Step 1

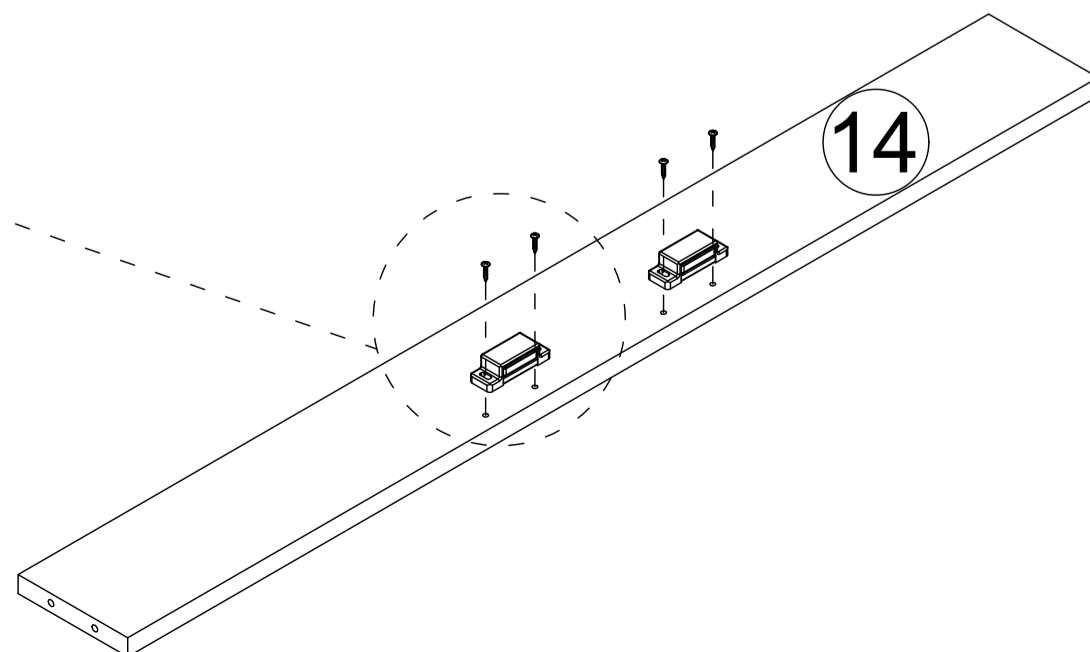
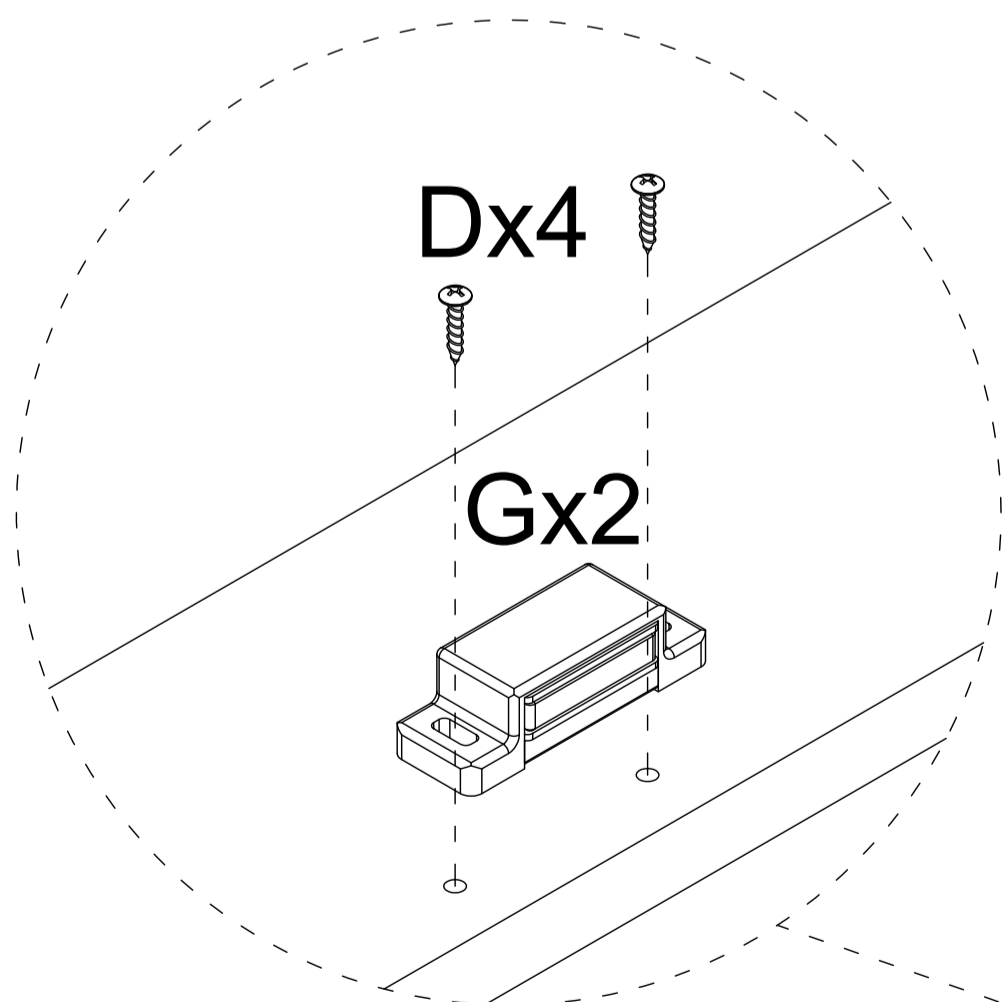
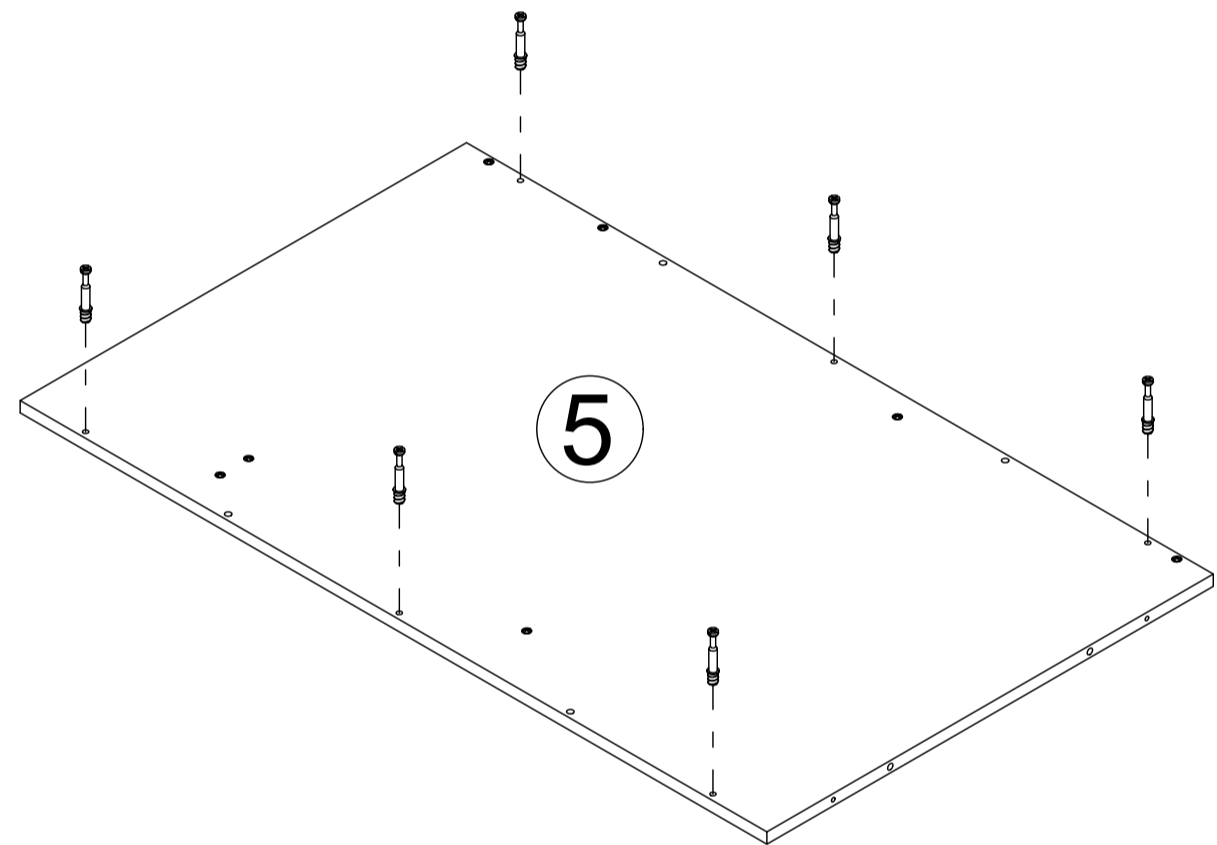
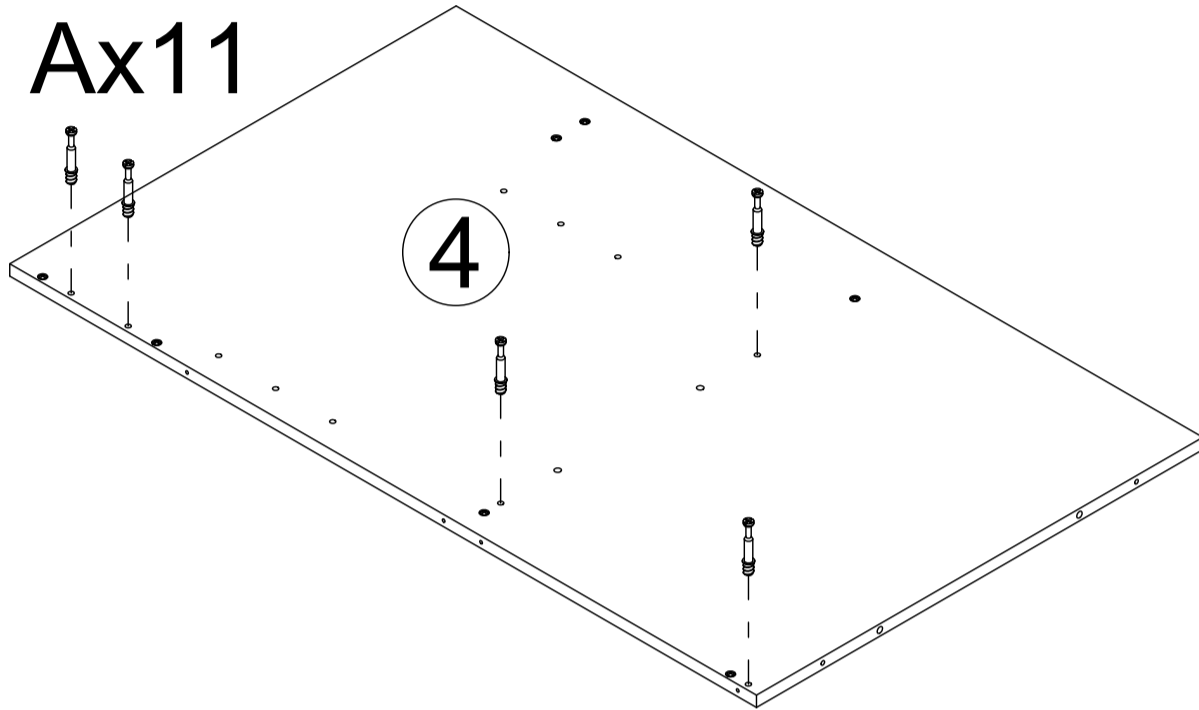
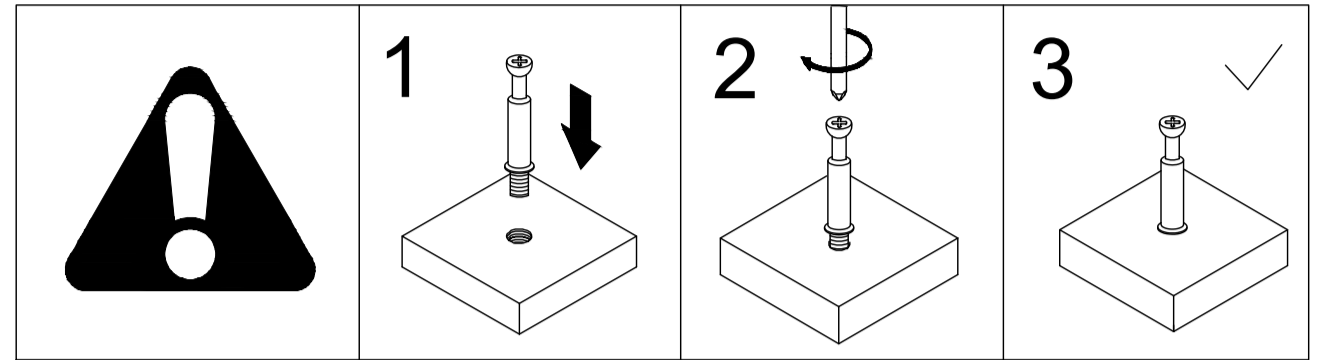
CL 1PC	CR 1PC	P 6PCS	



Assemble

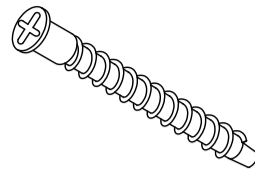

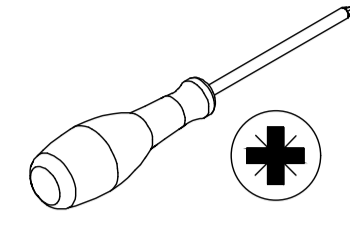
Step 2

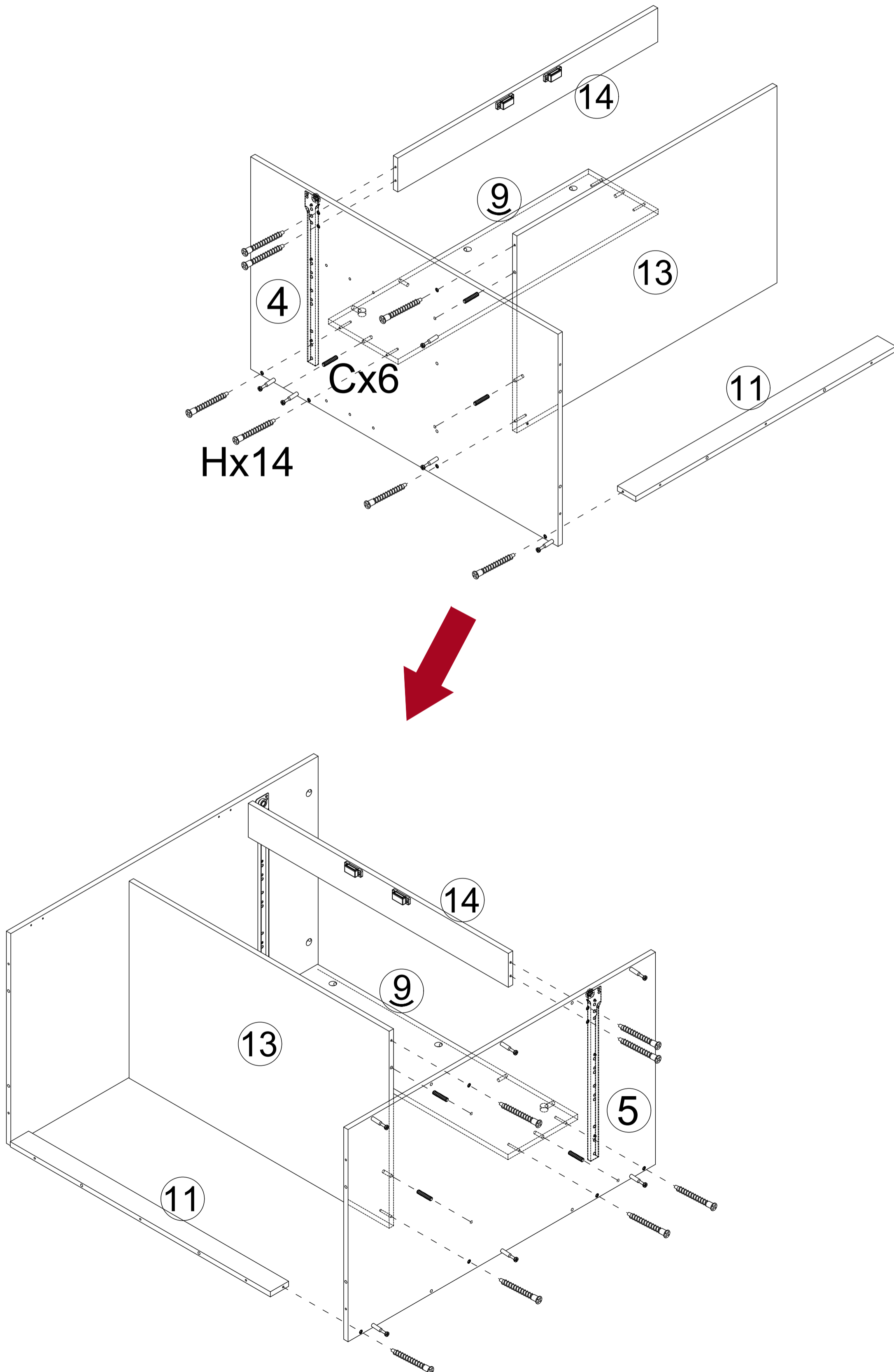
							
A	11PCS	G	2PCS	D	4PCS		



Assemble

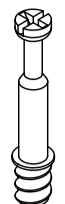
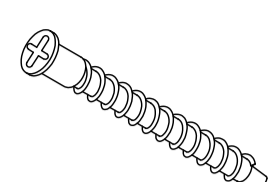
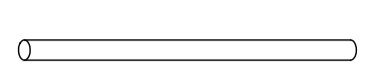
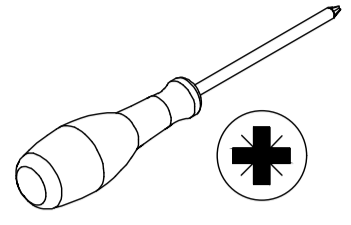
Step 3

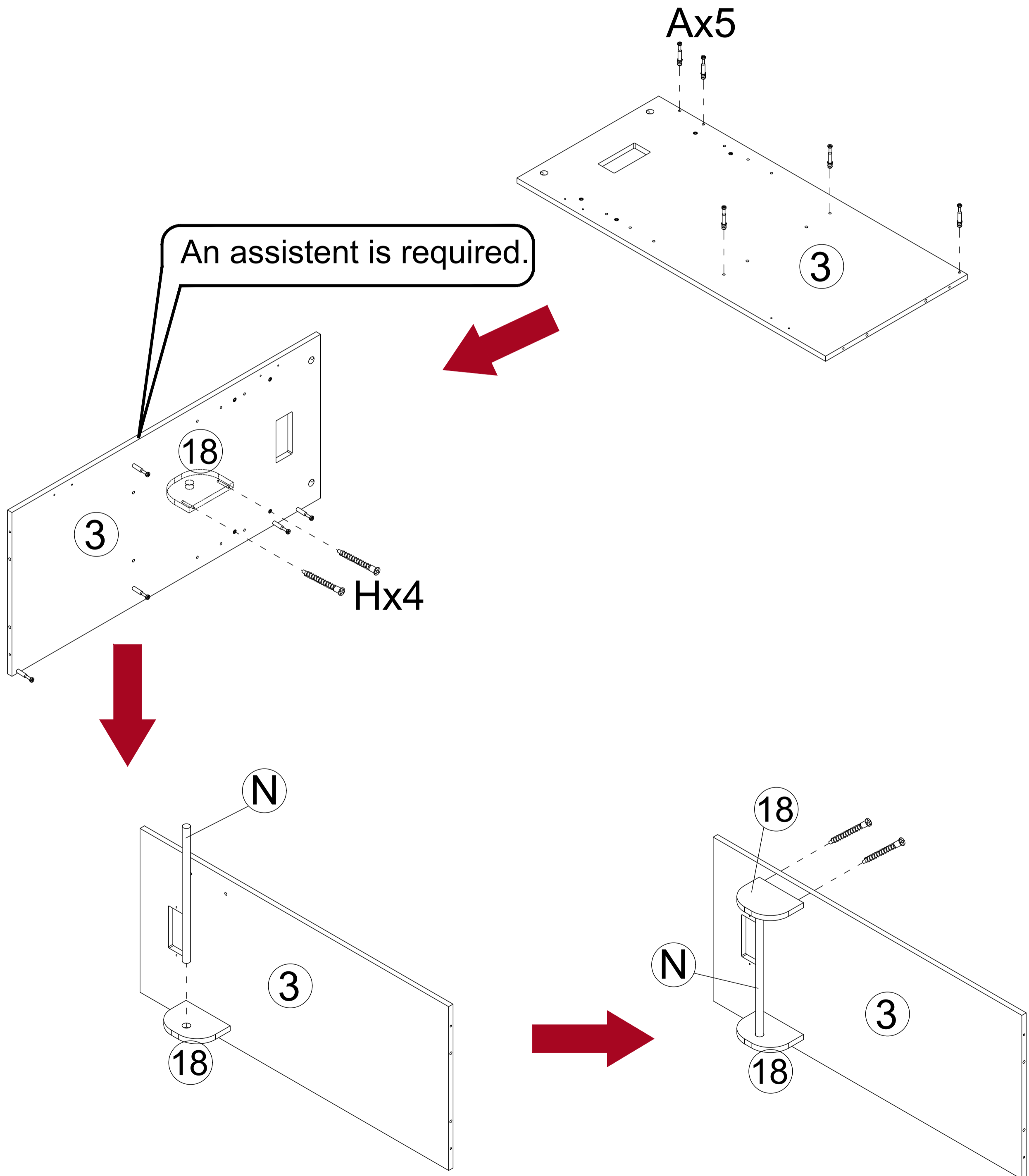
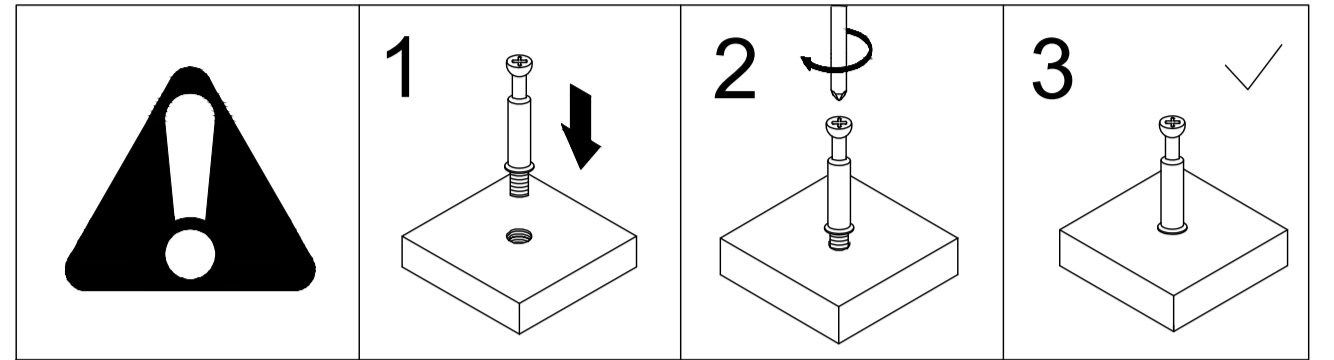
				
H	14PCS	C	6PCS	



Assemble

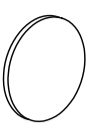
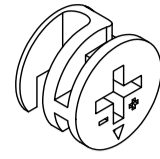

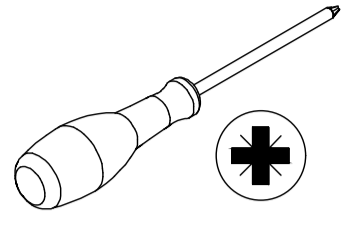
Step 4

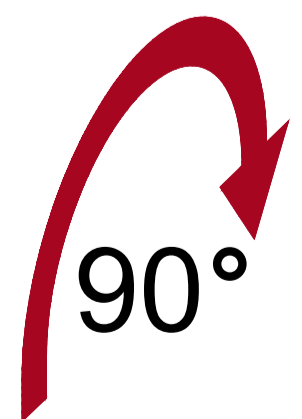
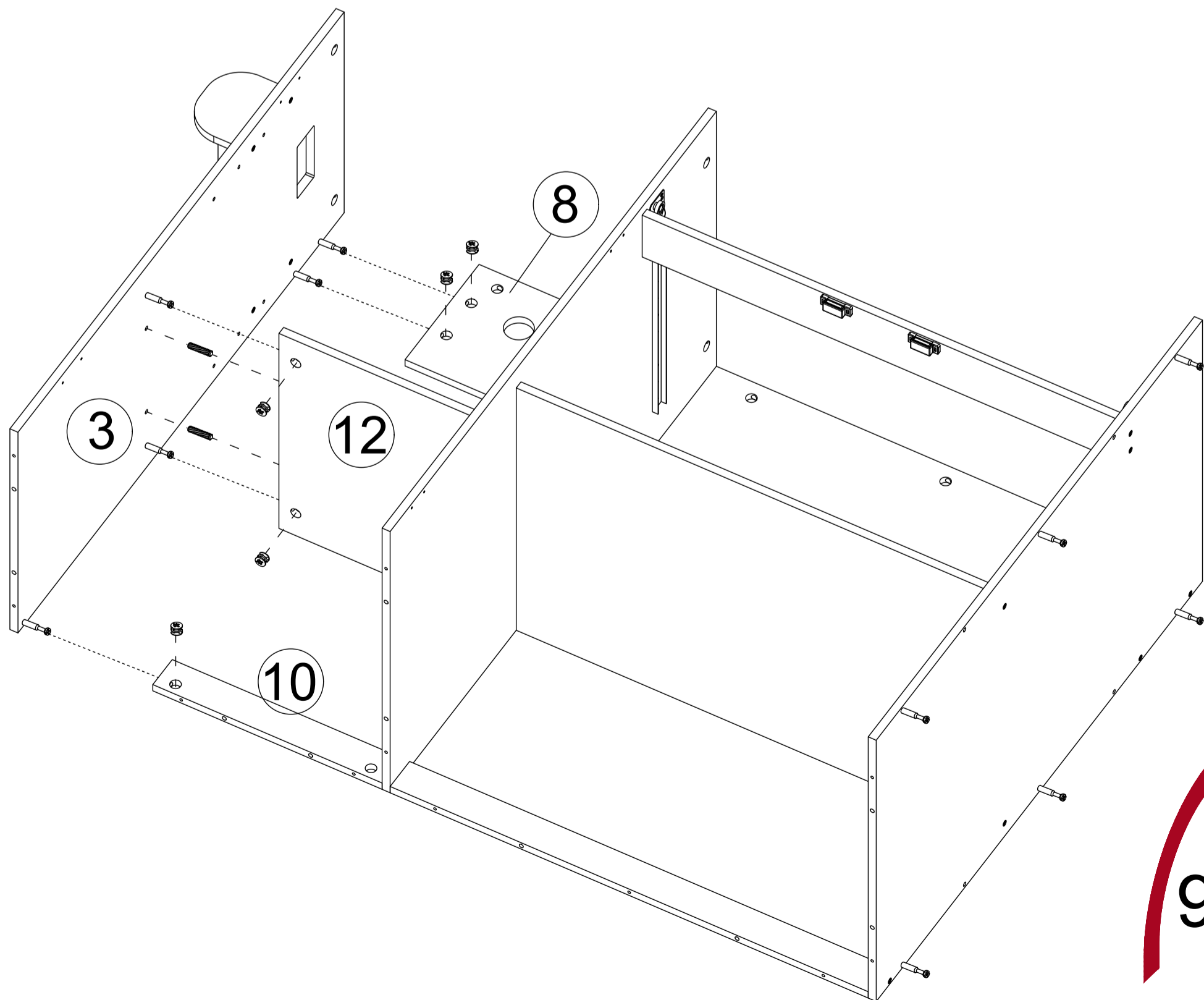
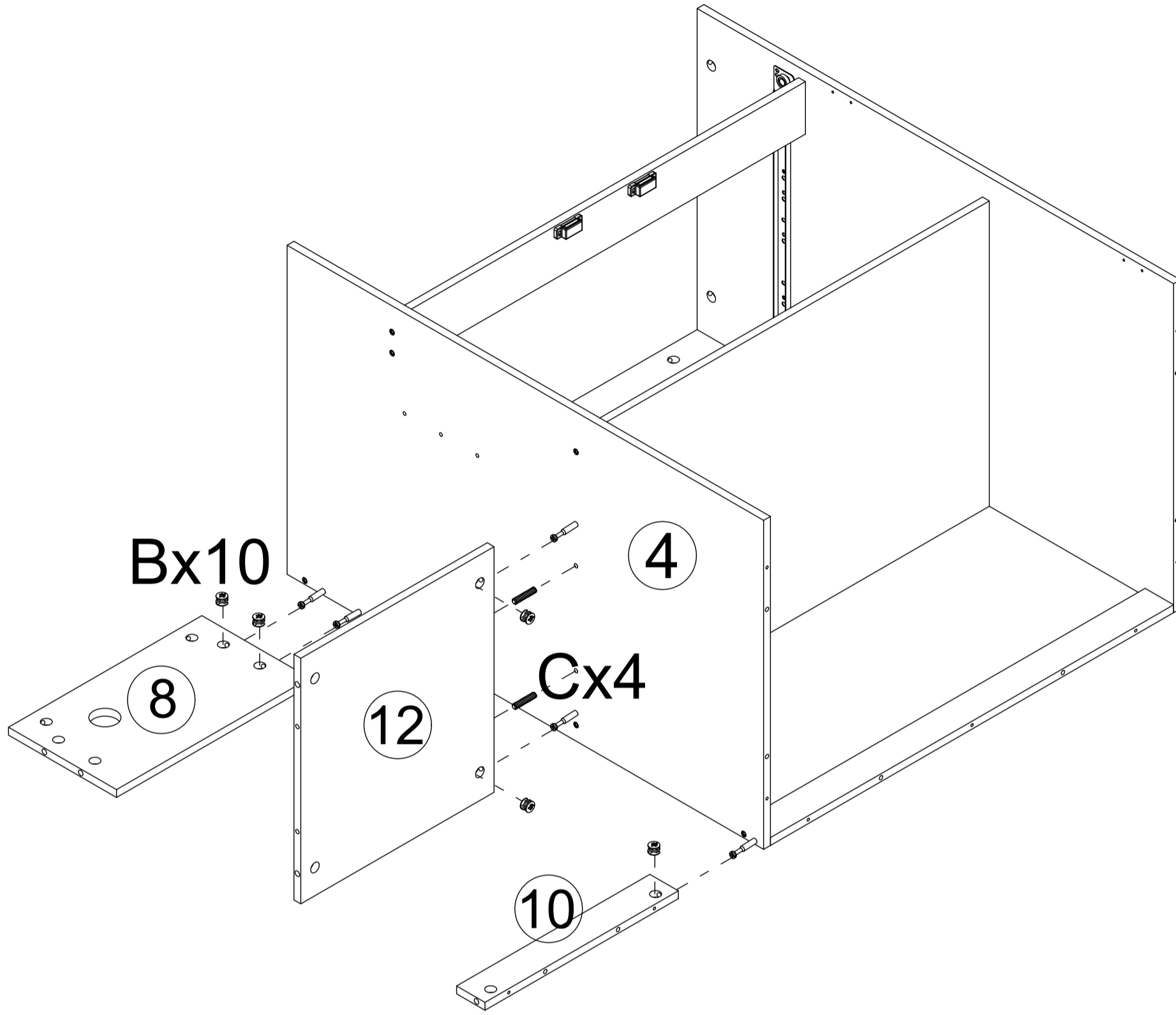
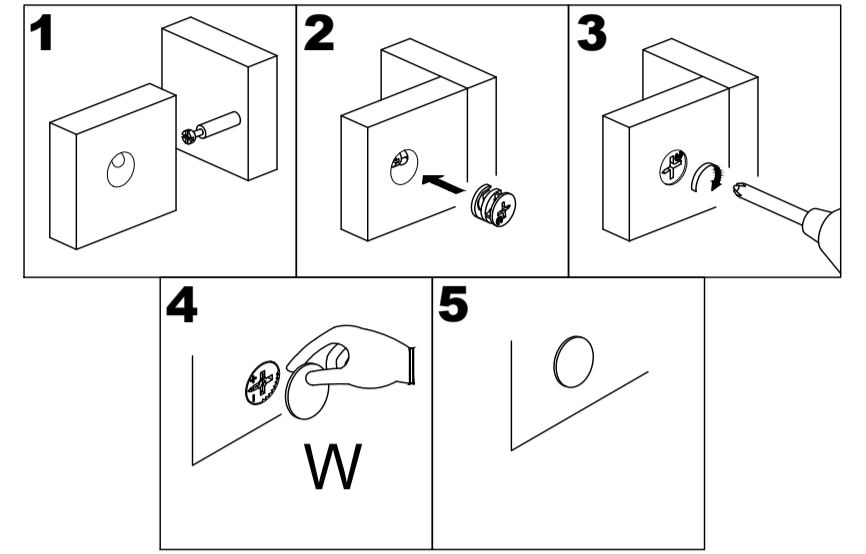
			
A 5PCS	H 4PCS	N 1PC	



Assemble

Step 5

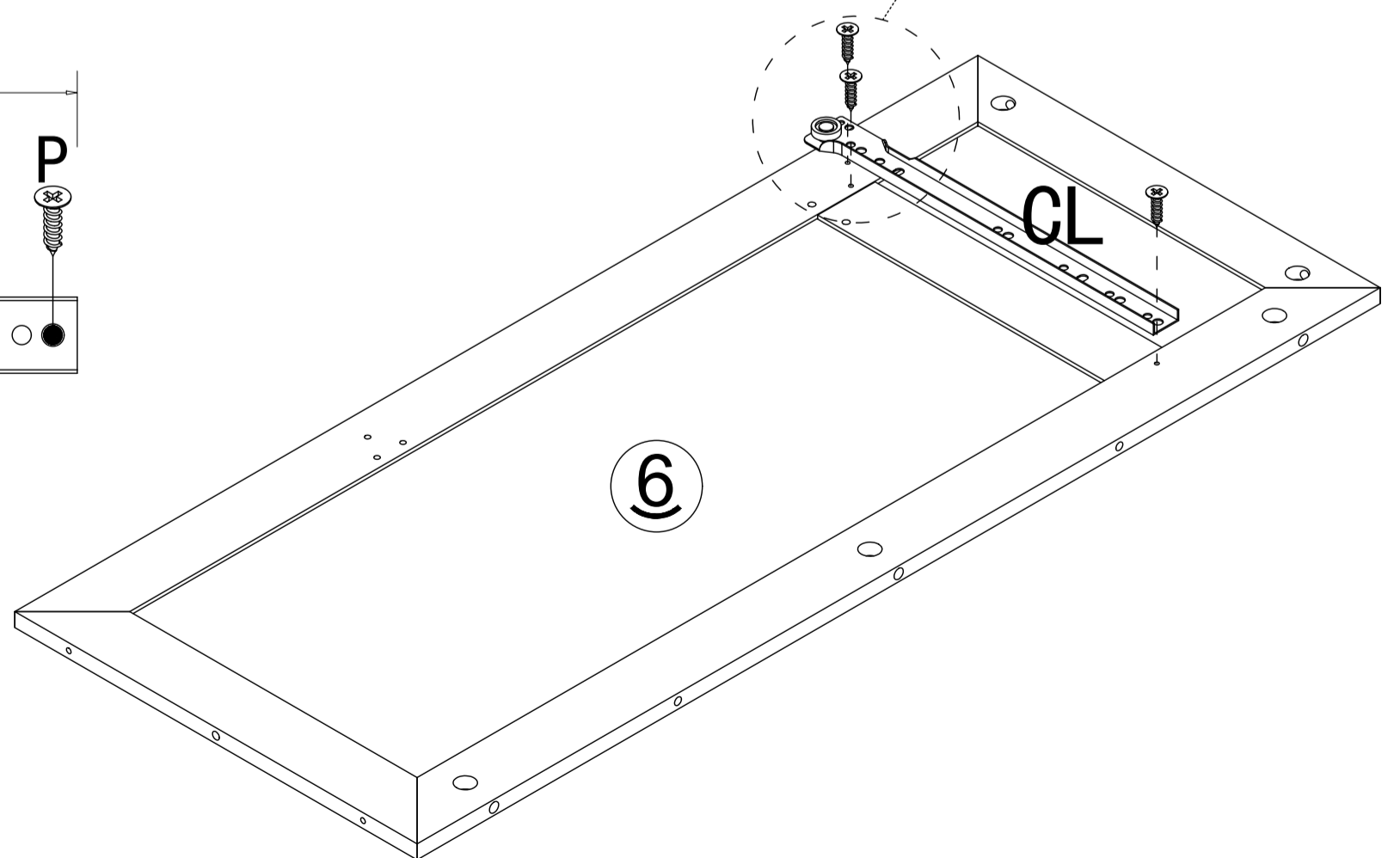
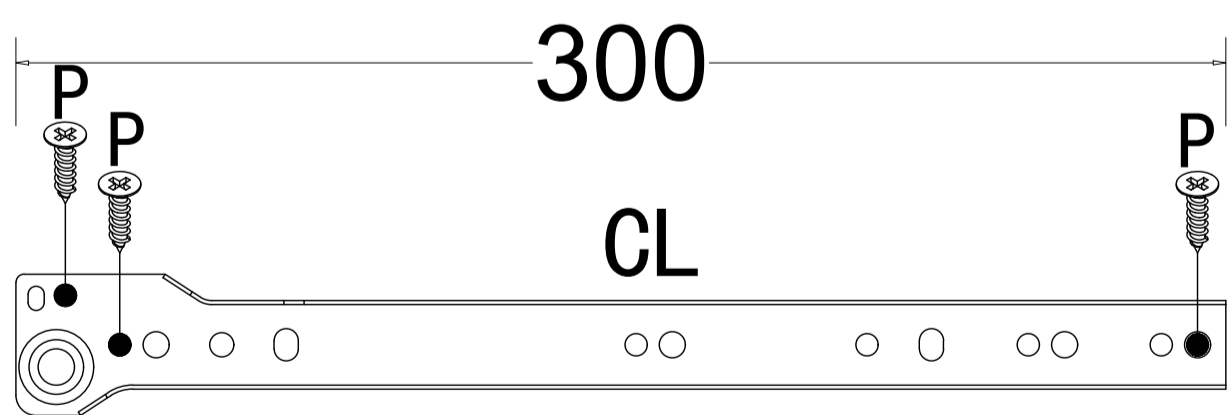
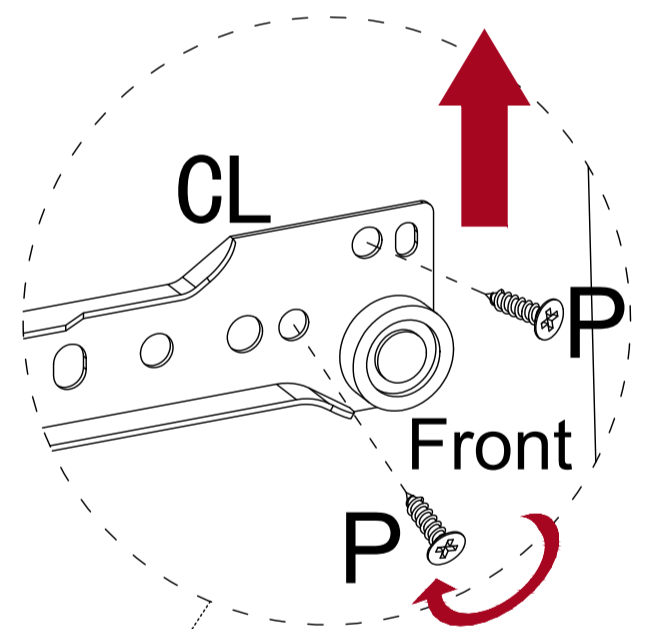
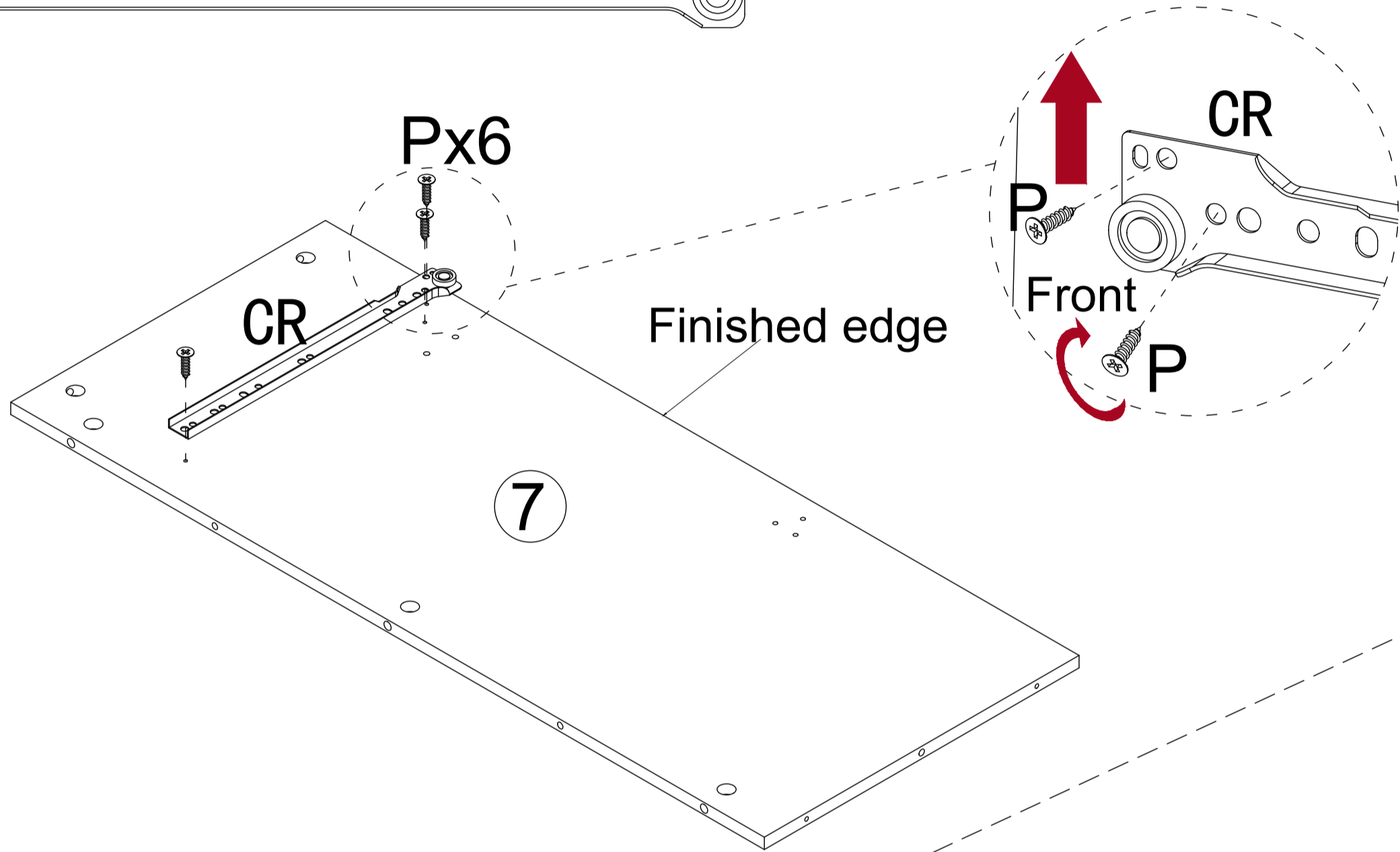
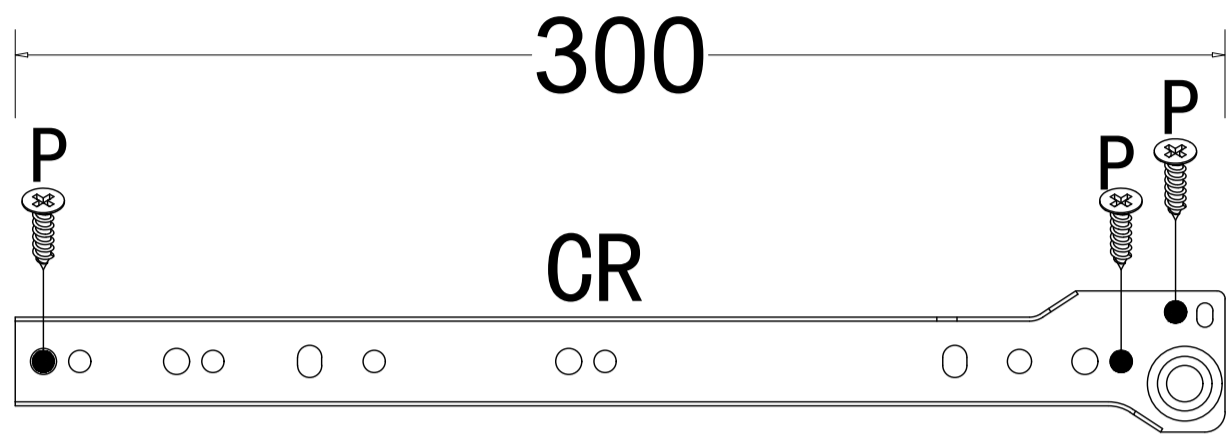
			
W 10PCS	B 10PCS	C 4PCS	



Assemble


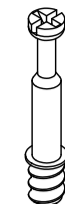
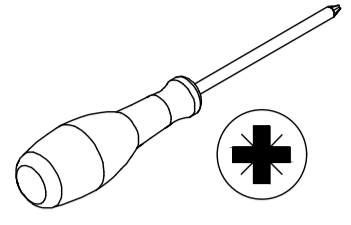
Step 6

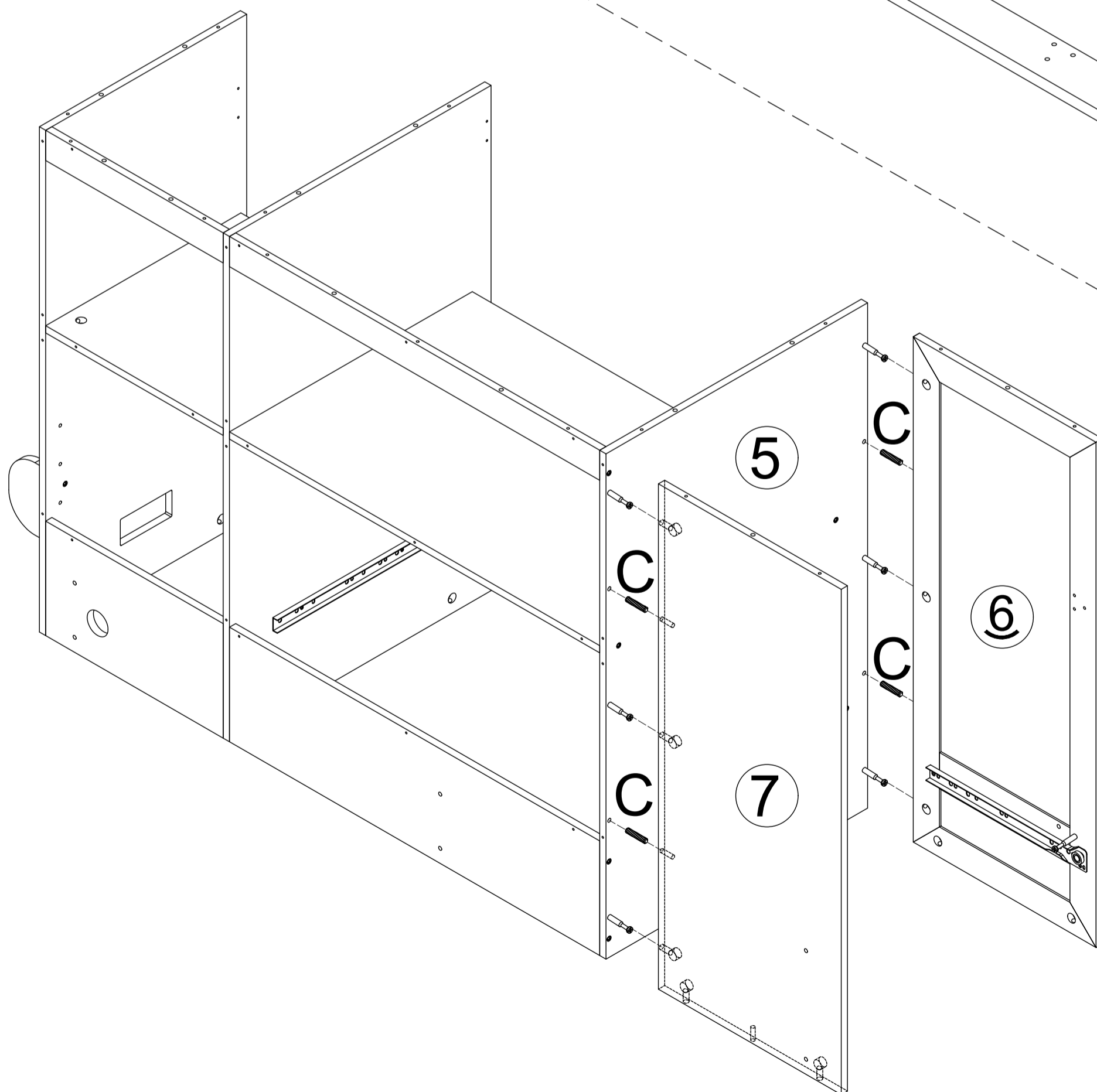
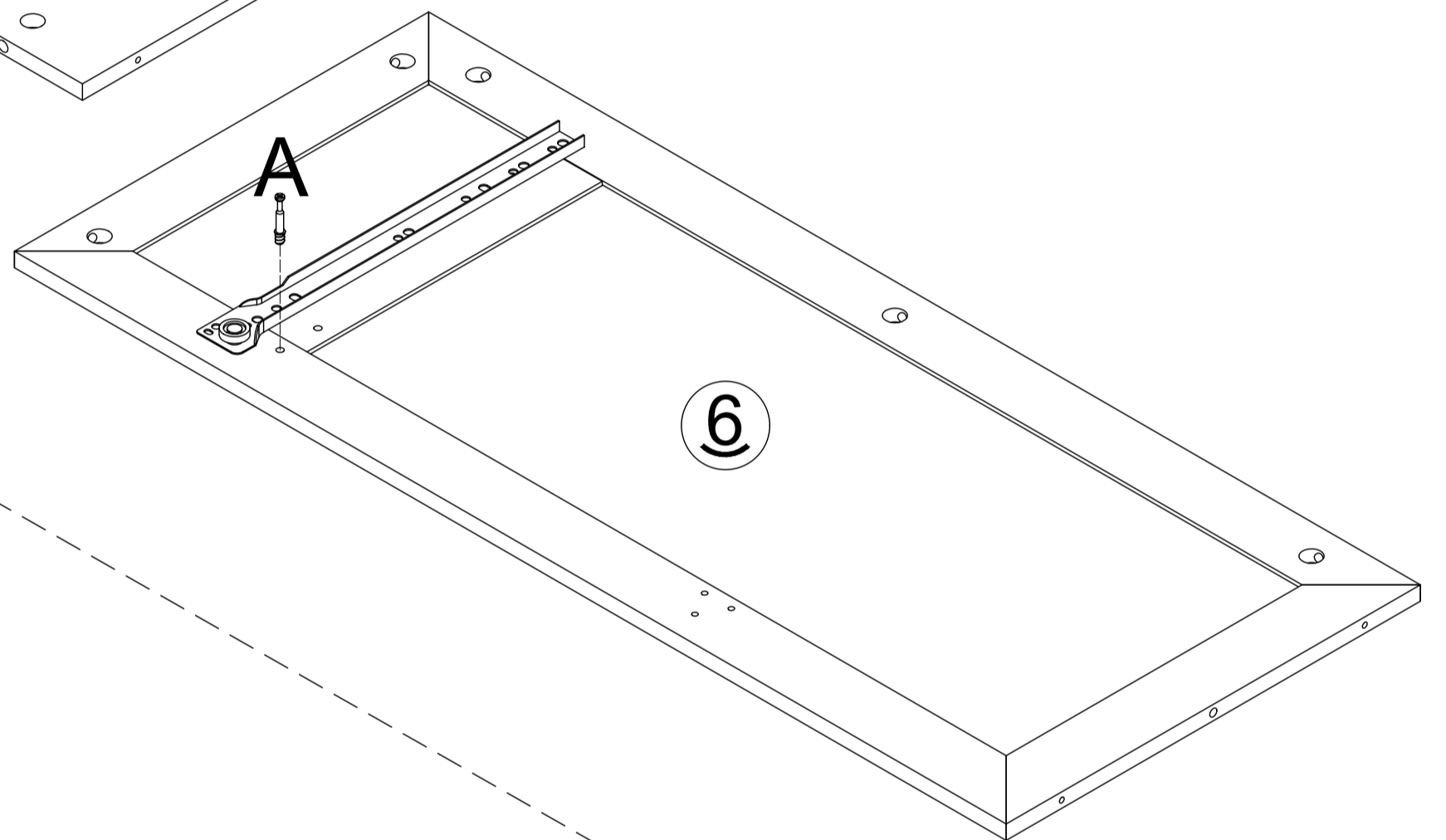
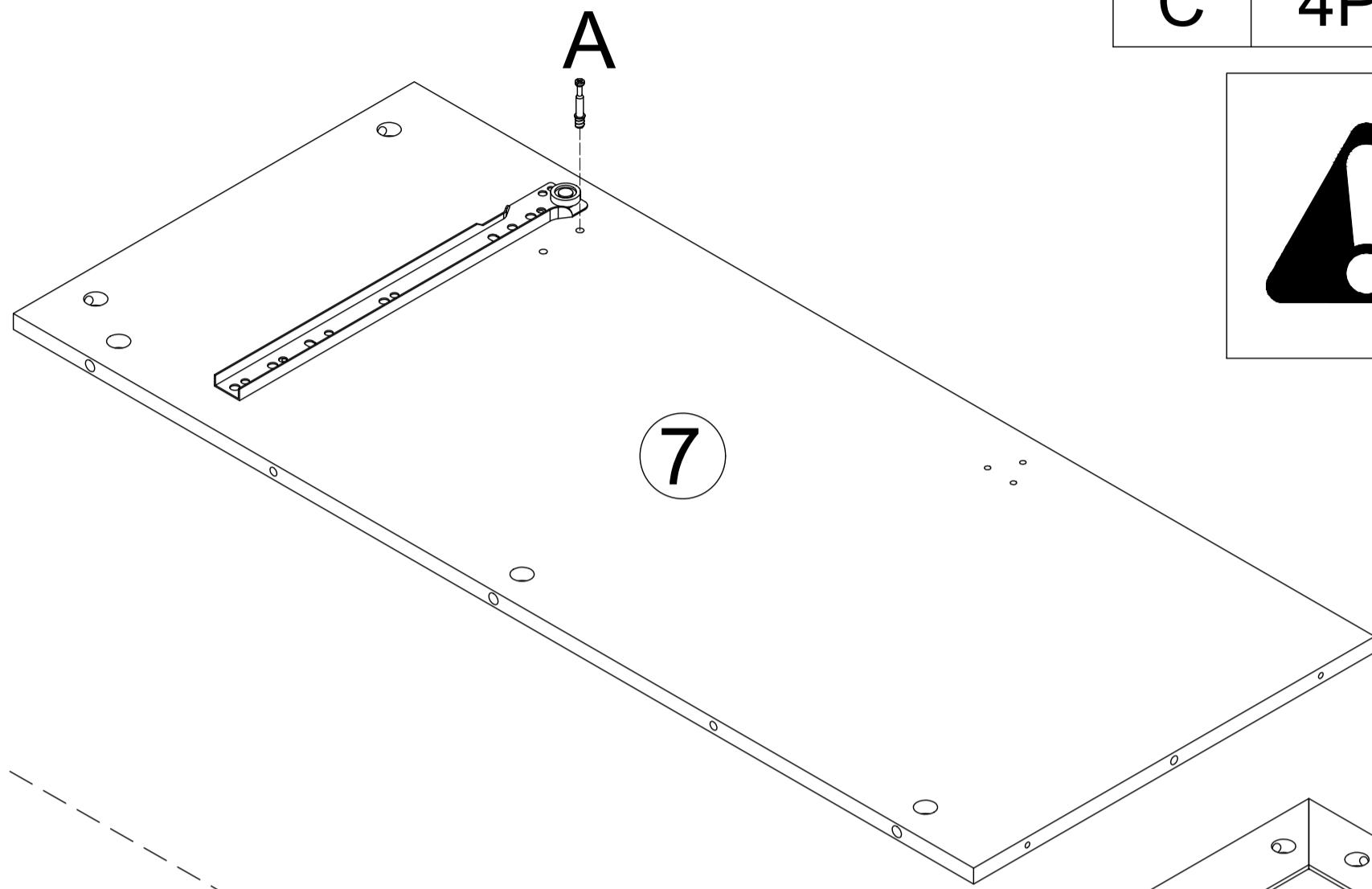
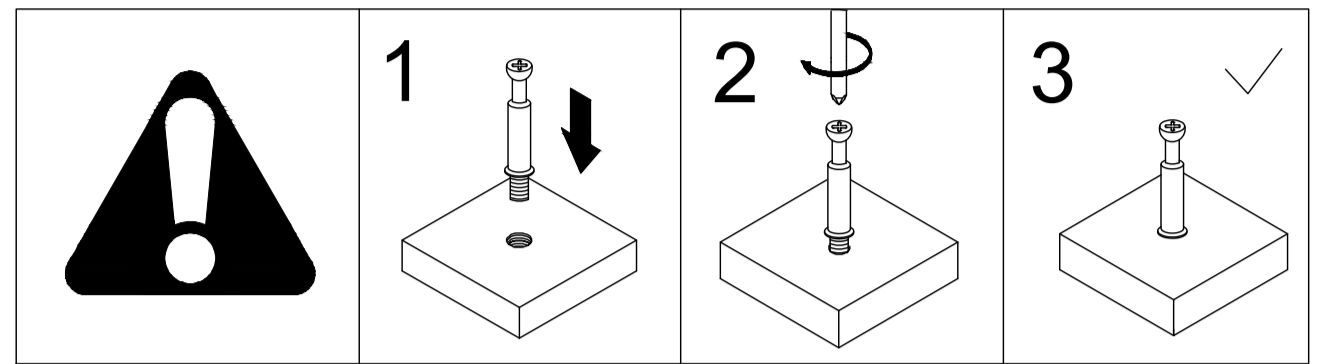
CL	1PC	CR	1PC	P	6PCS	



Assemble


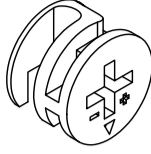

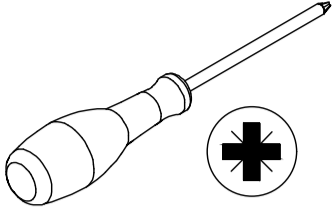

Step 7

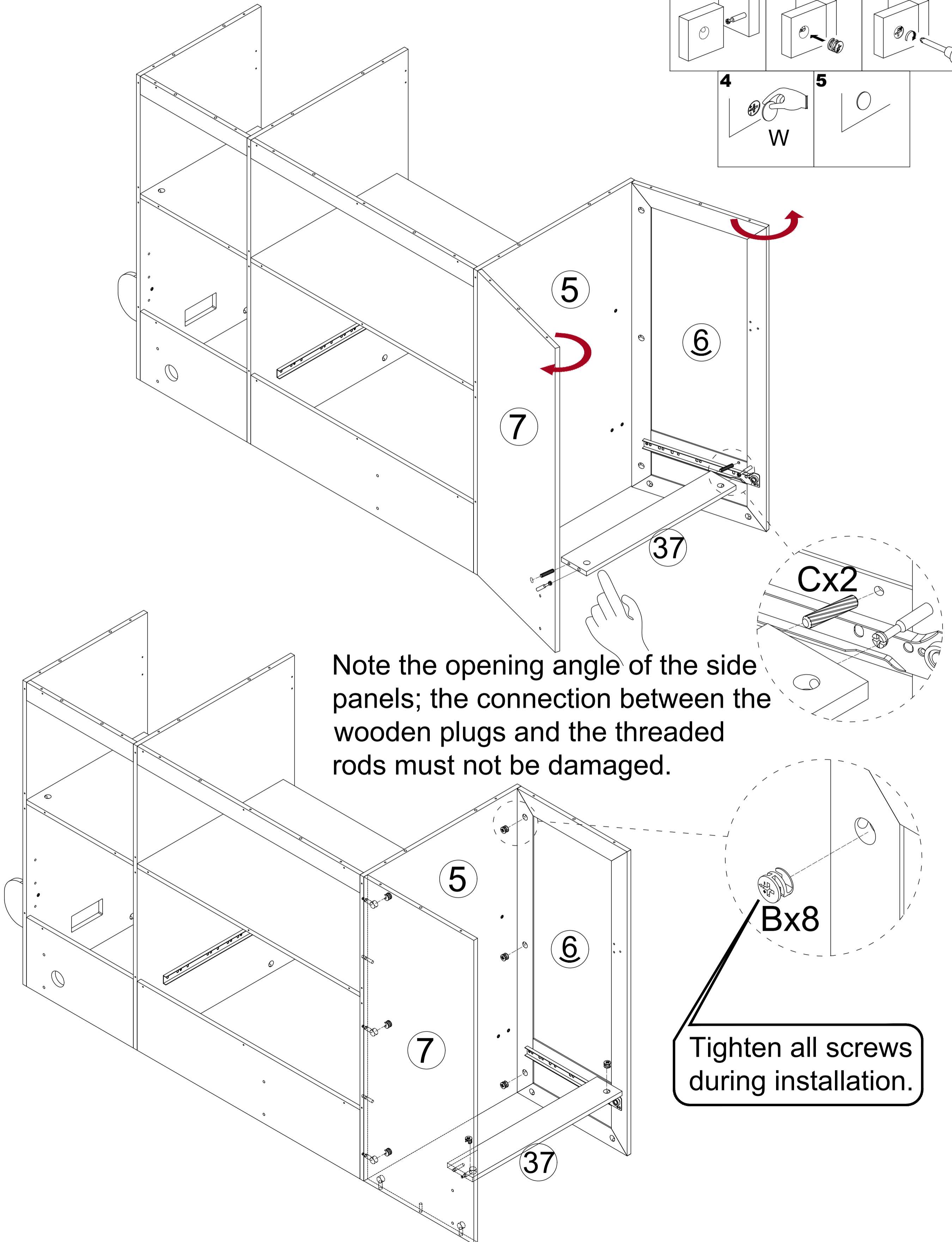
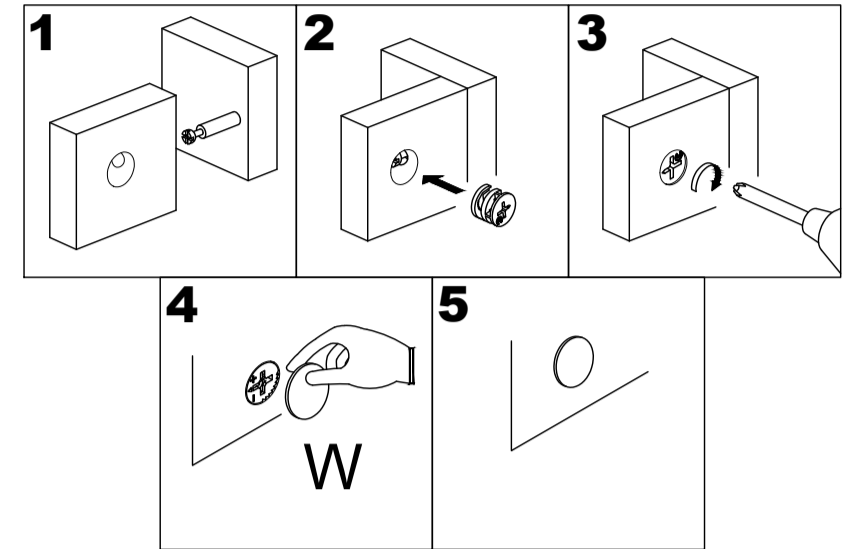
		
C	4PCS	A 2PCS



Assemble

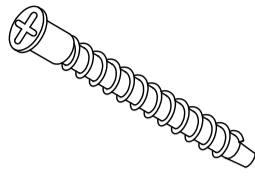

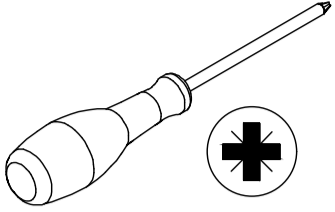
Step 8

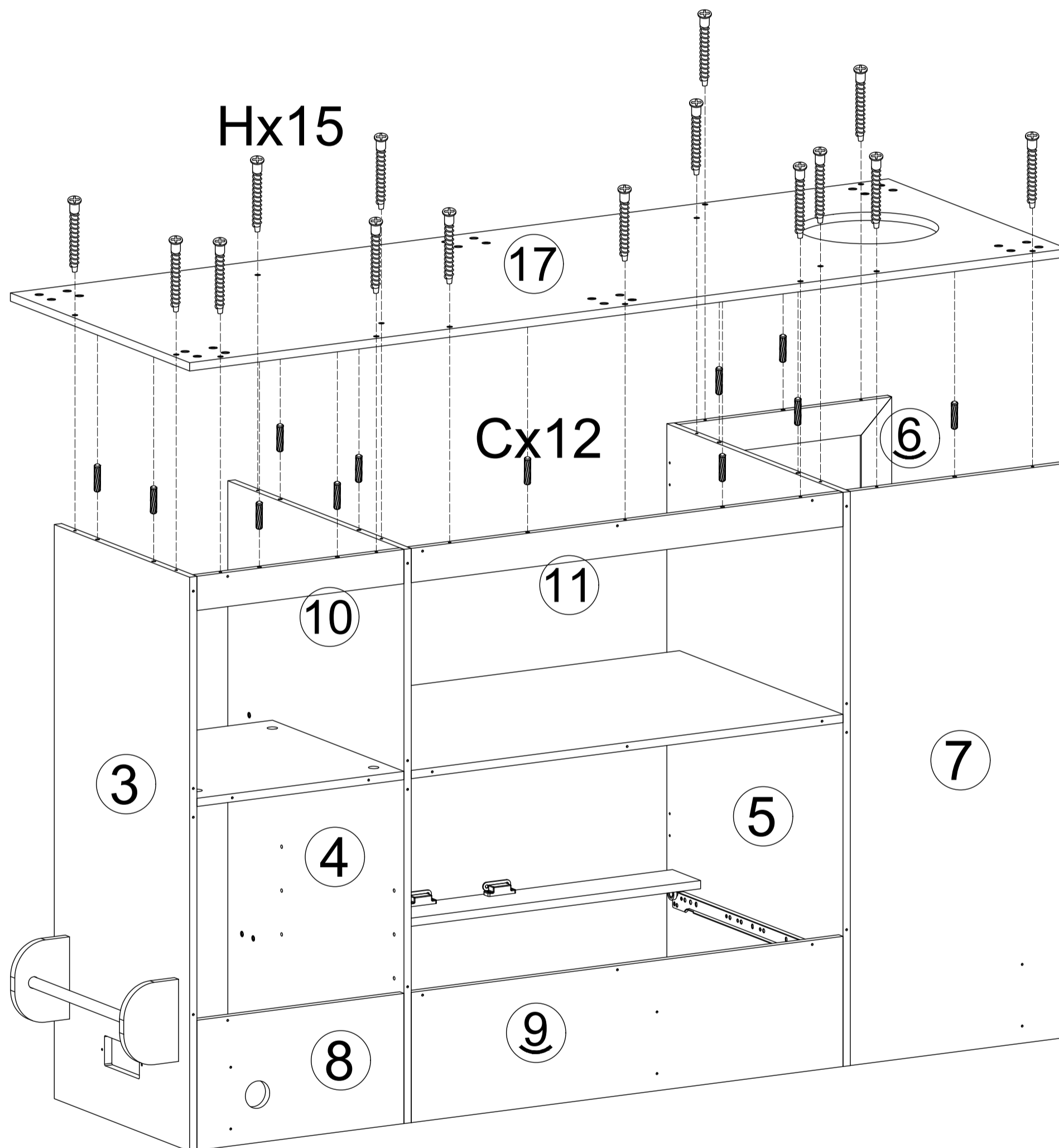
			
W 8PCS	B 8PCS	C 2PCS	



Assemble

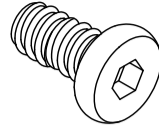


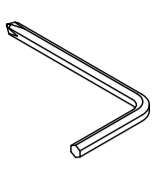
Step 9

				
H	15PCS	C	12PCS	

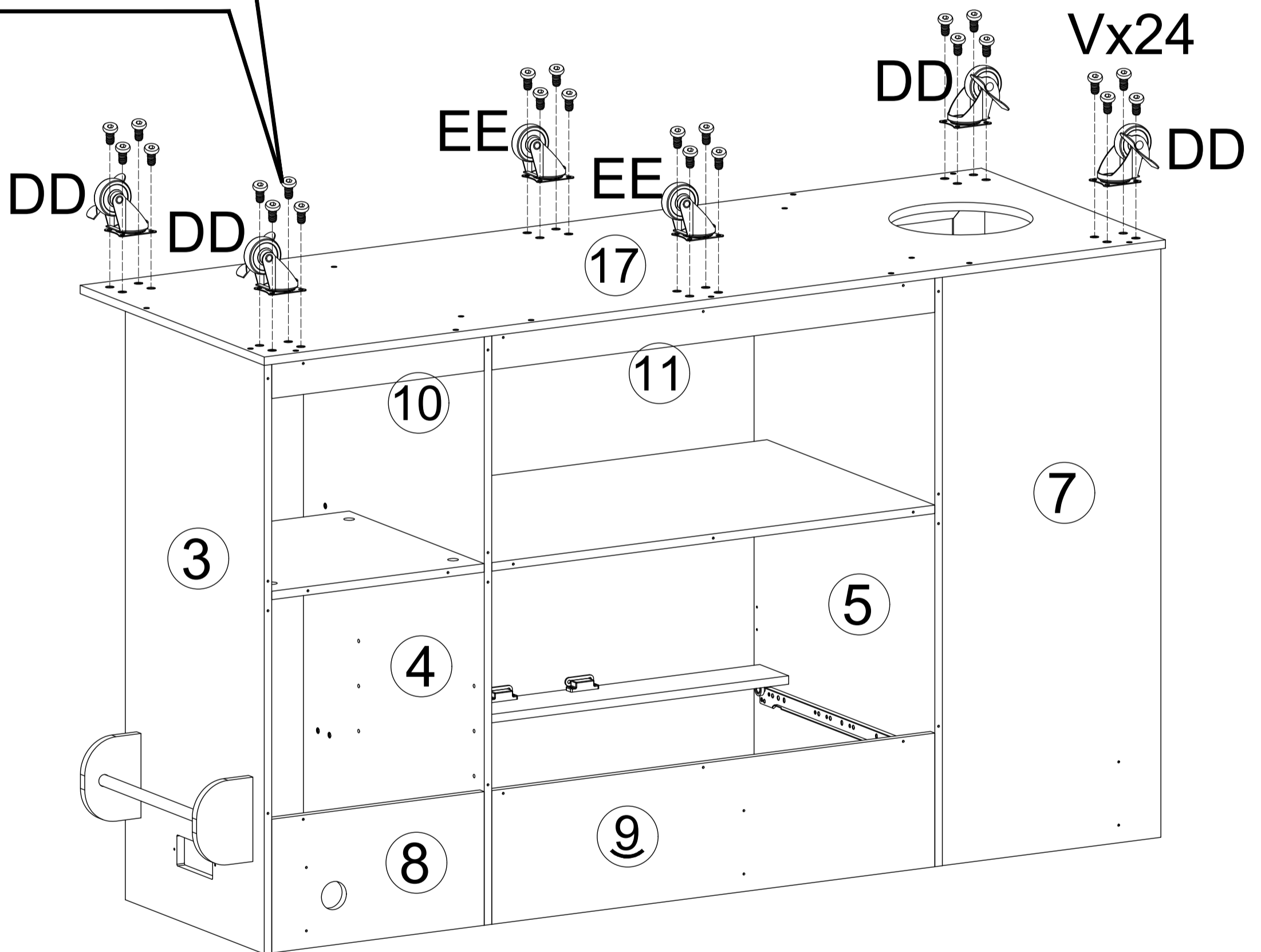


Assemble

Step 10

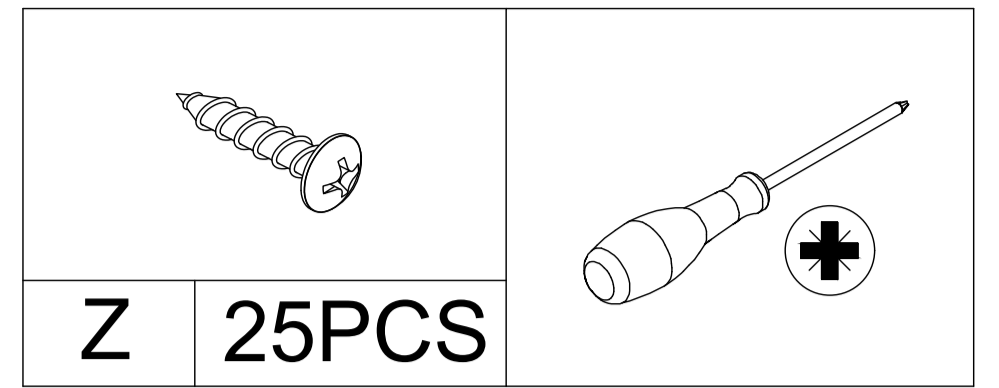
							
V	24PCS	DD	4PCS	EE	2PCS	FF	1PC

Tighten all screws during installation.

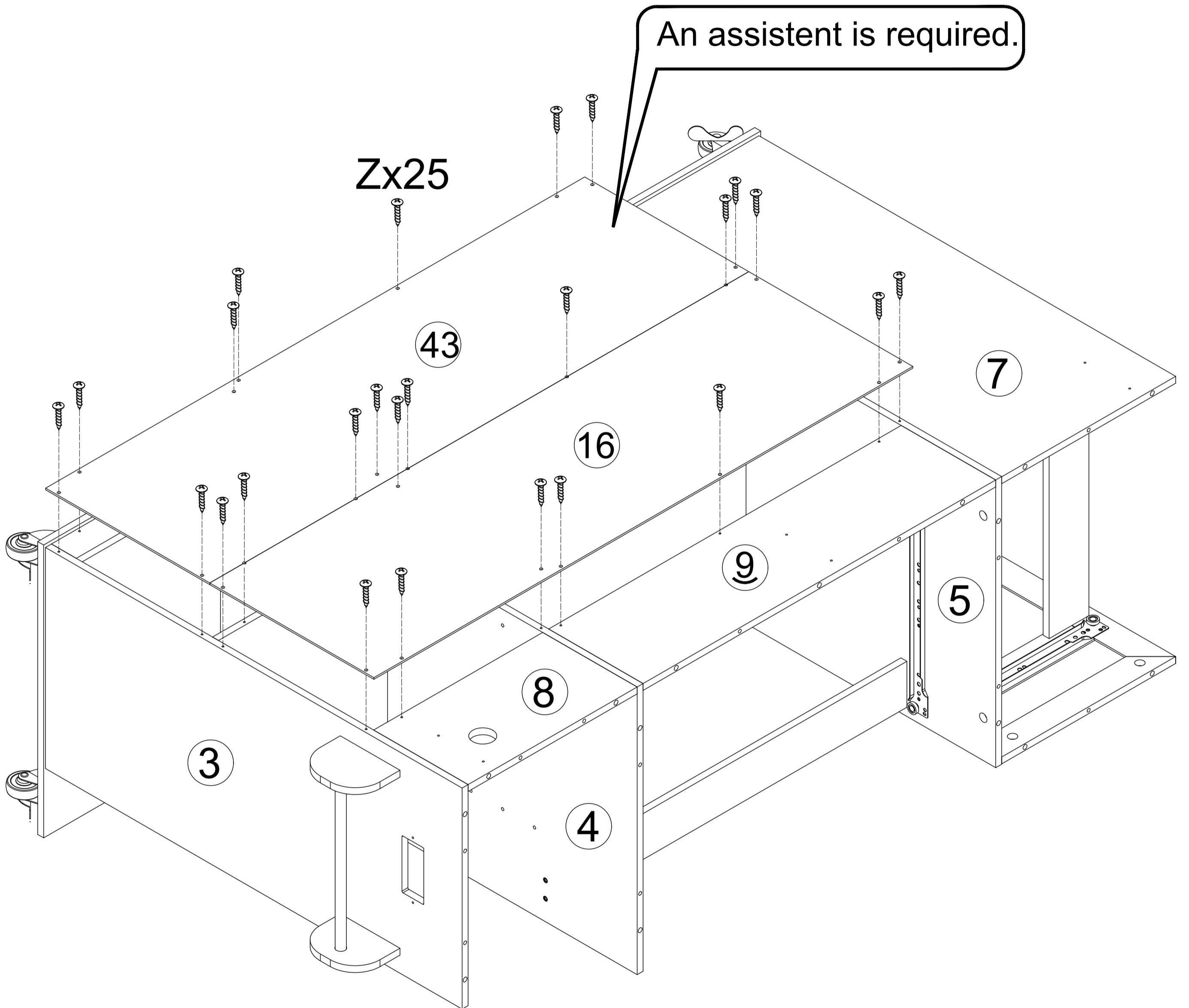


Assemble

Step 11

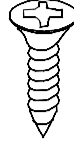
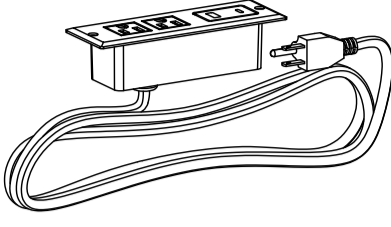
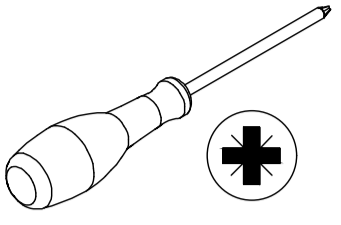


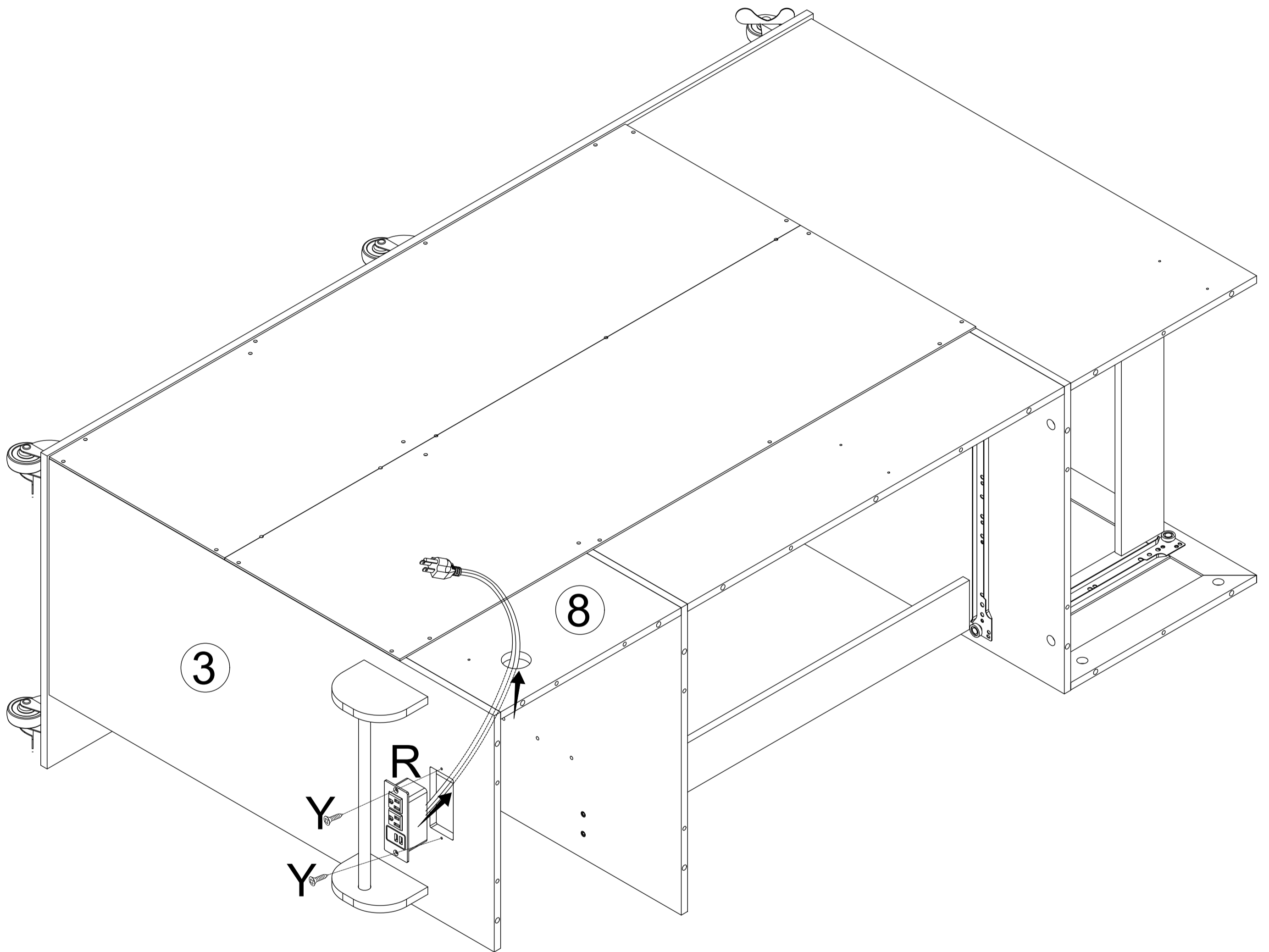
An assistent is required.



Assemble

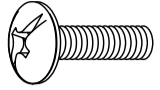
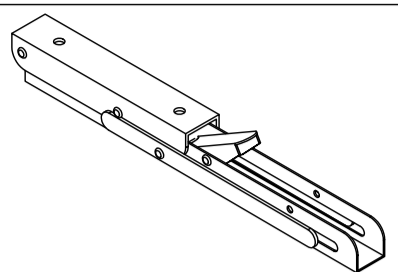
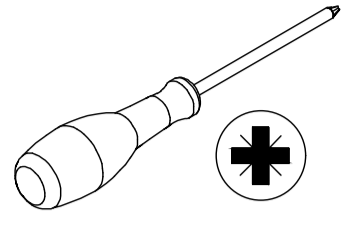

Step 12

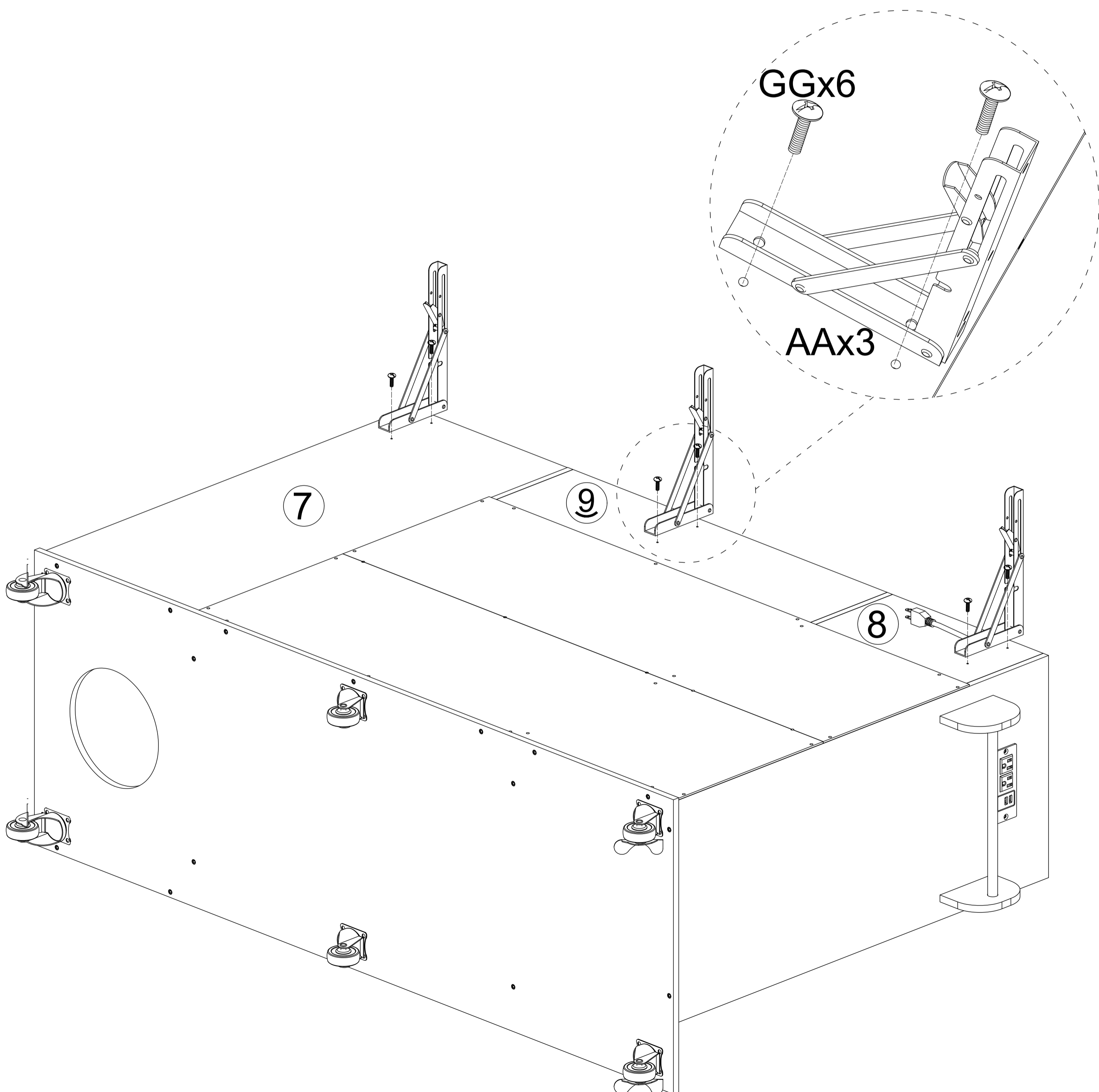
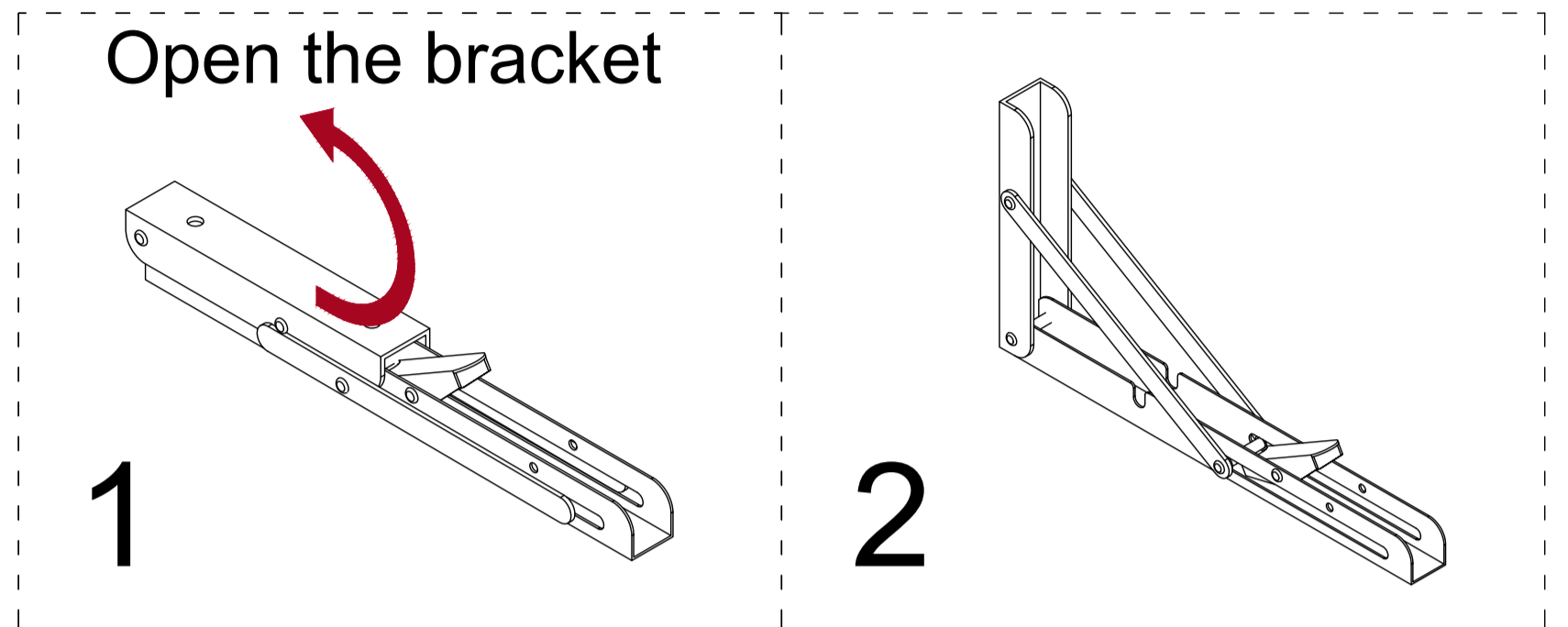
					
Y	2PCS	R	1PC		



Assemble

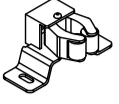
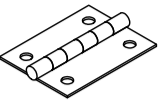
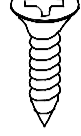
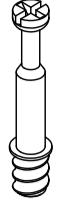
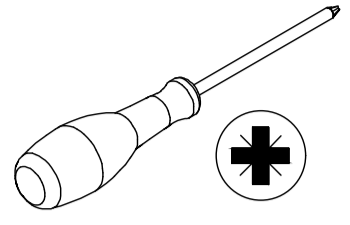
Step 13

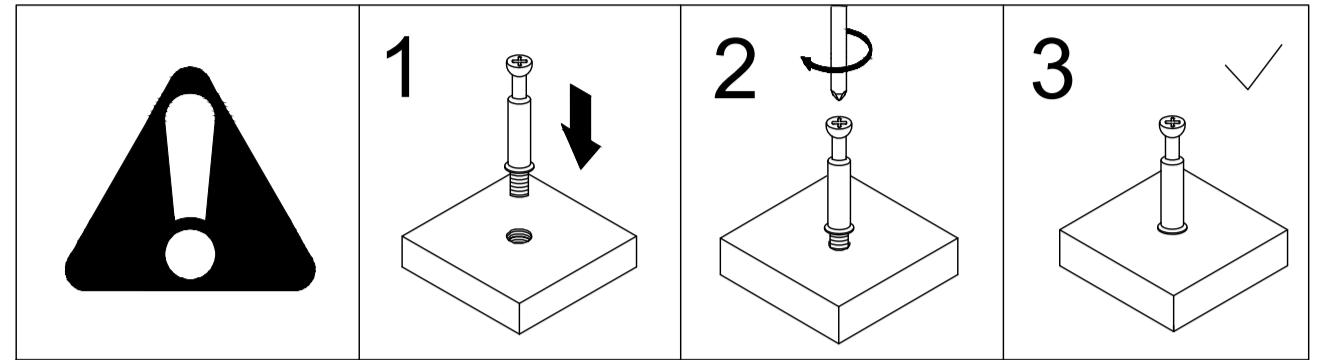
		
GG 6PCS	AA 3PCS	



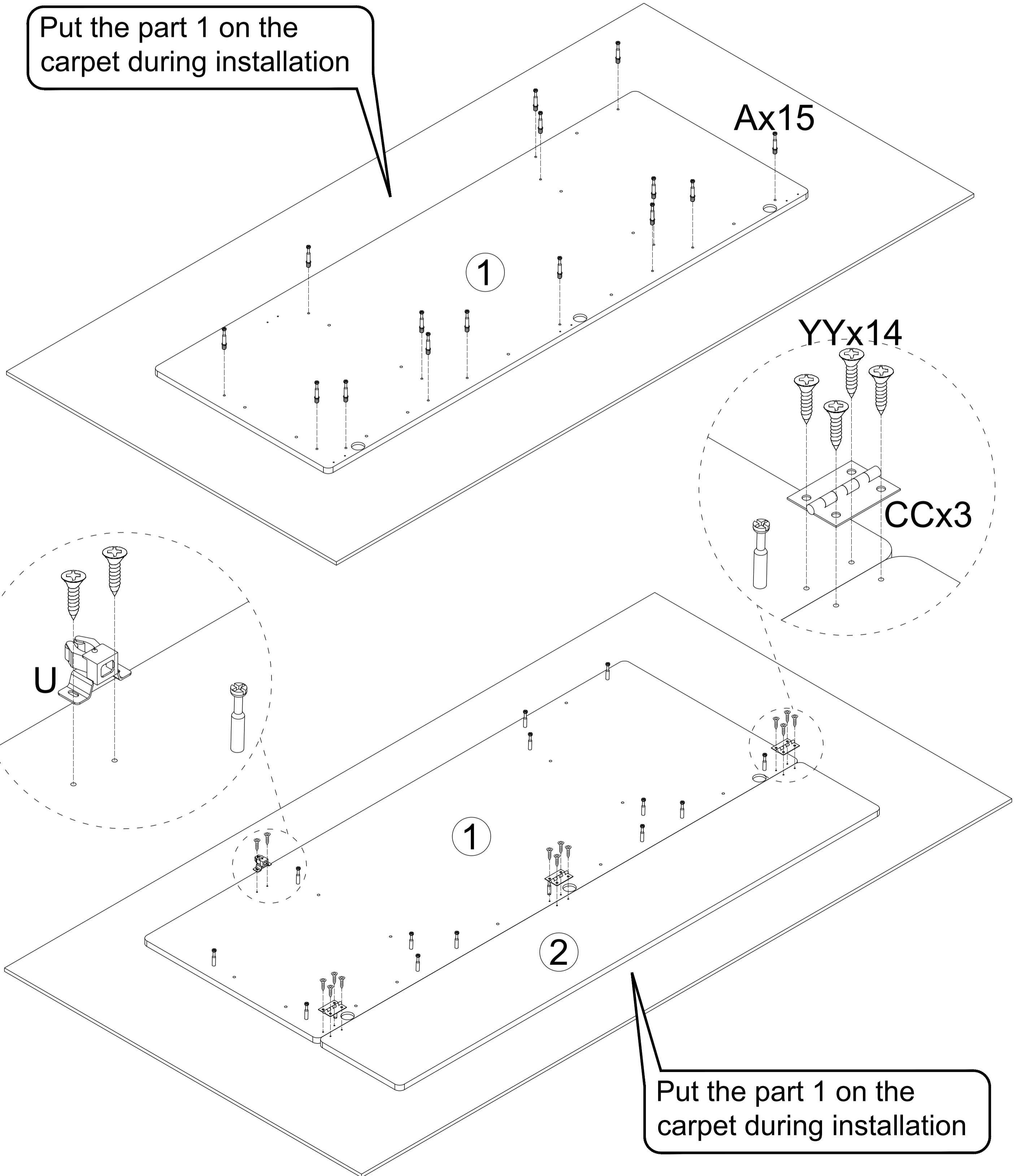
Assemble

Step 14

									
U	1PC	CC	3PCS	Y	14PCS	A	15PCS		

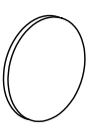
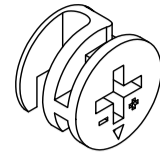

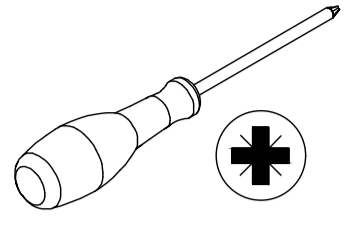


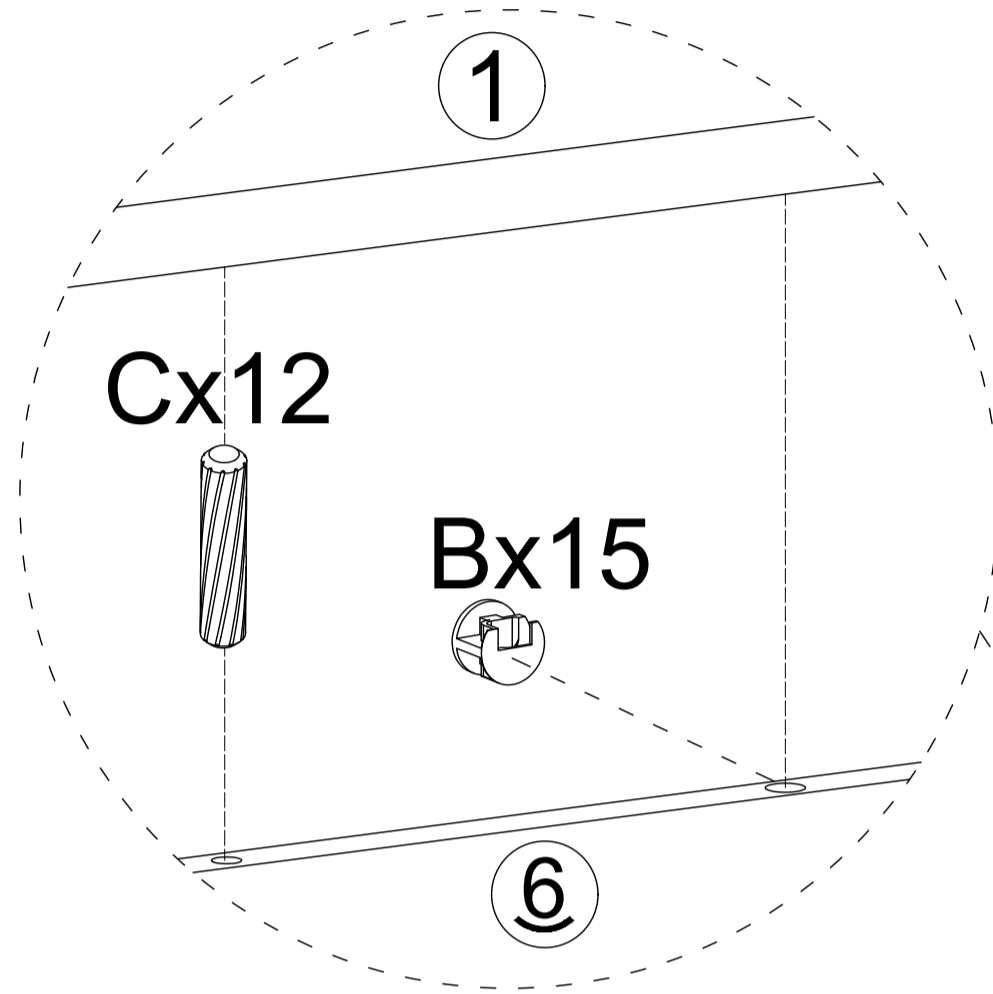
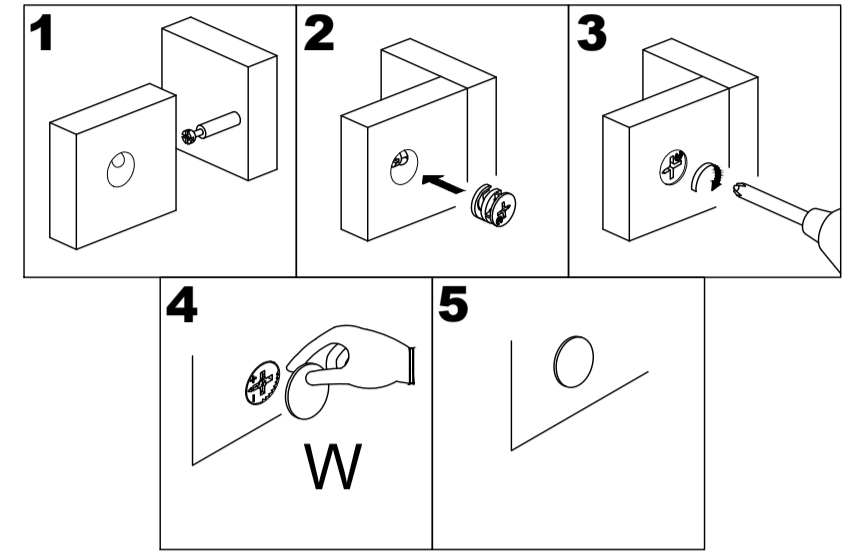
Put the part 1 on the carpet during installation



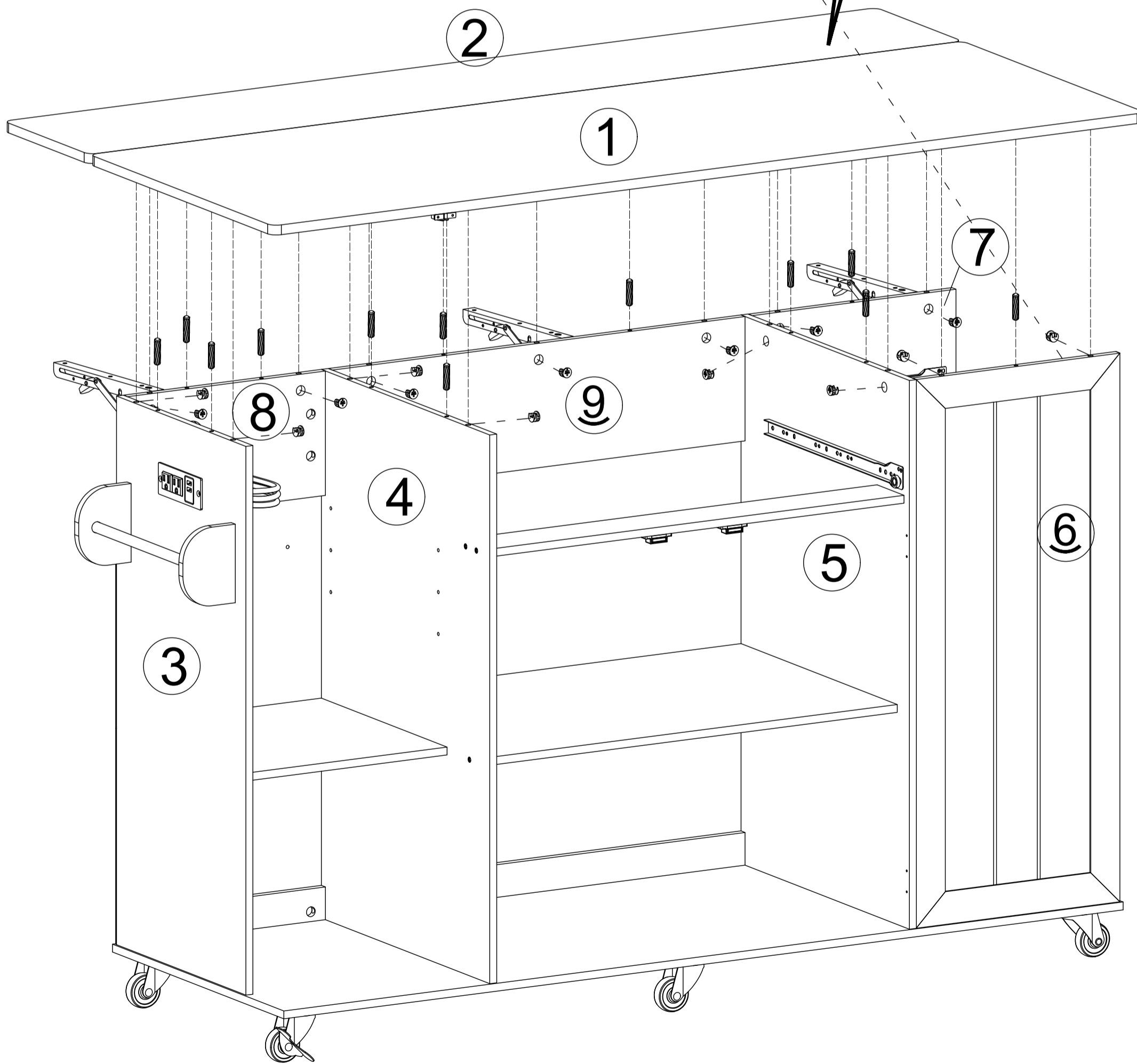
Assemble

Step 15

			
W 15PCS	B 15PCS	C 12PCS	

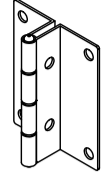
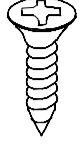

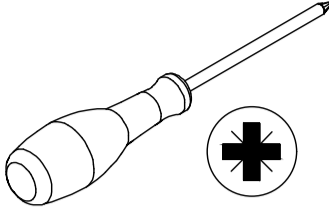



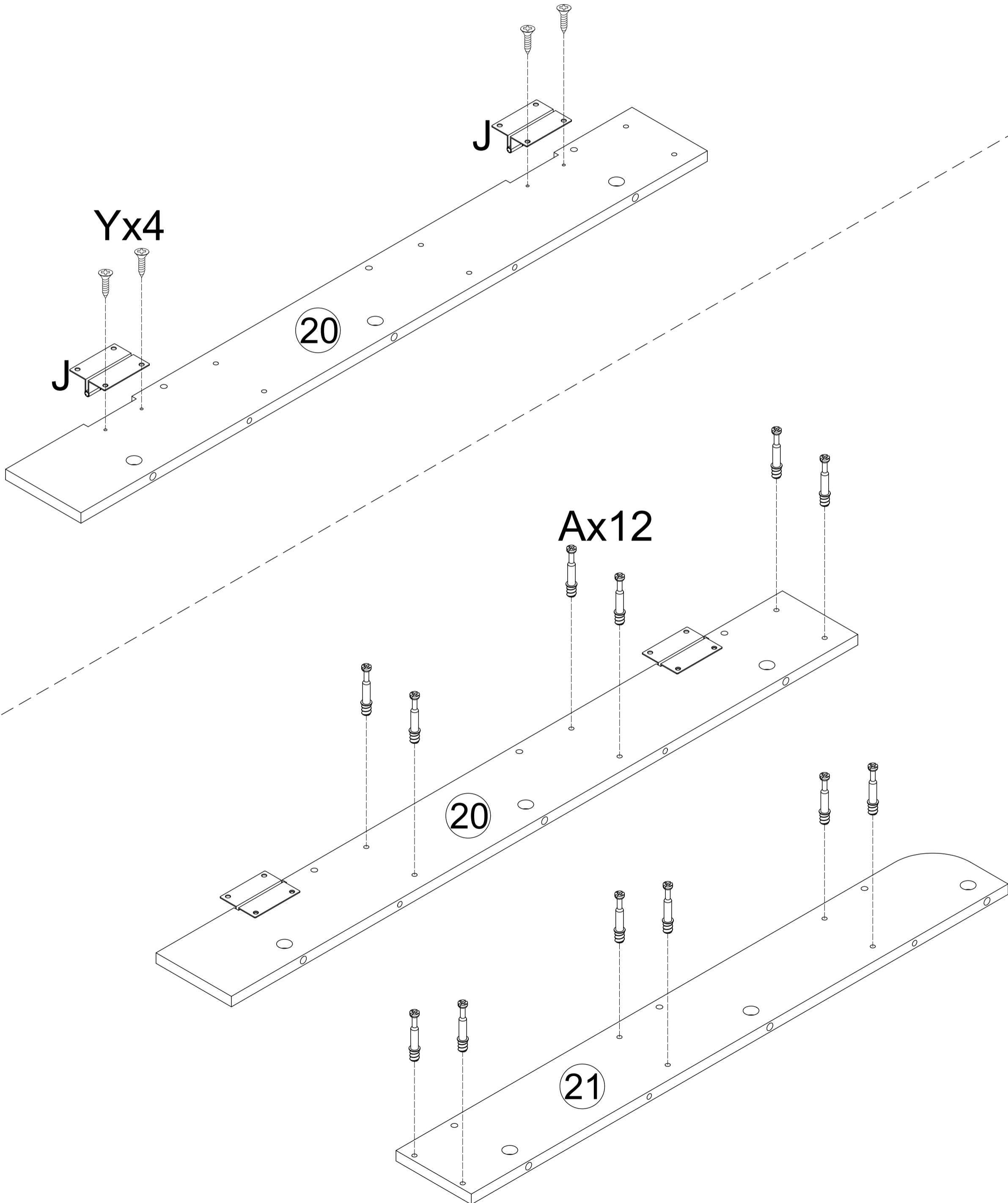
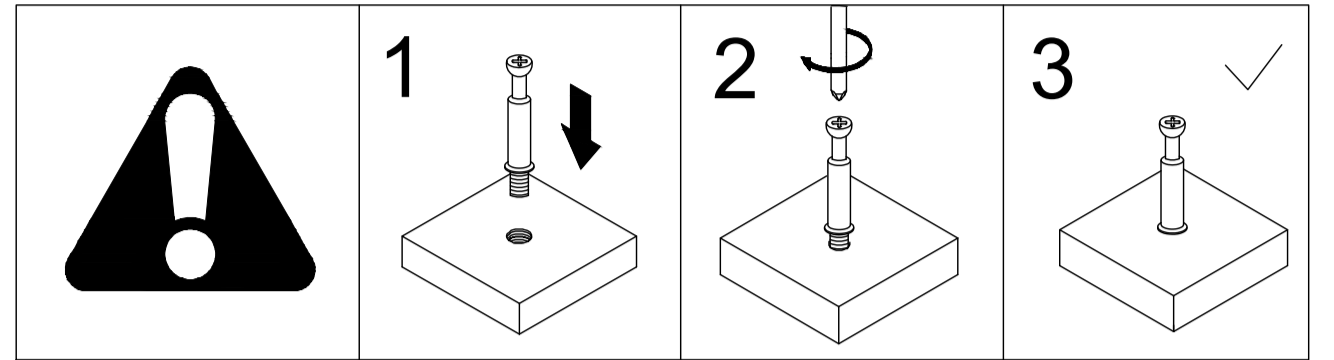
An assistant is required.



Assemble

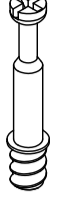

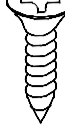
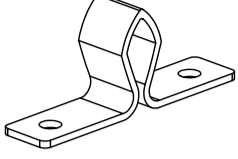
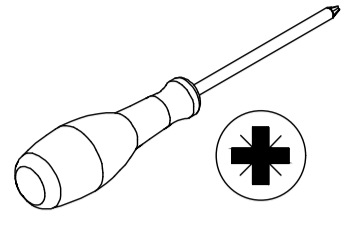

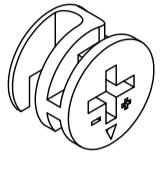

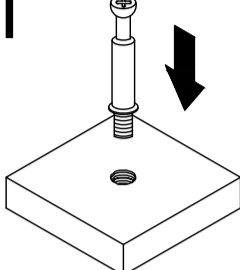
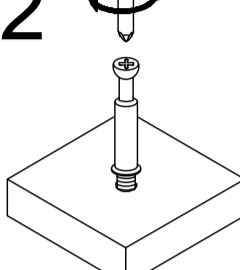
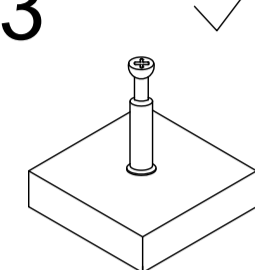
Step 16

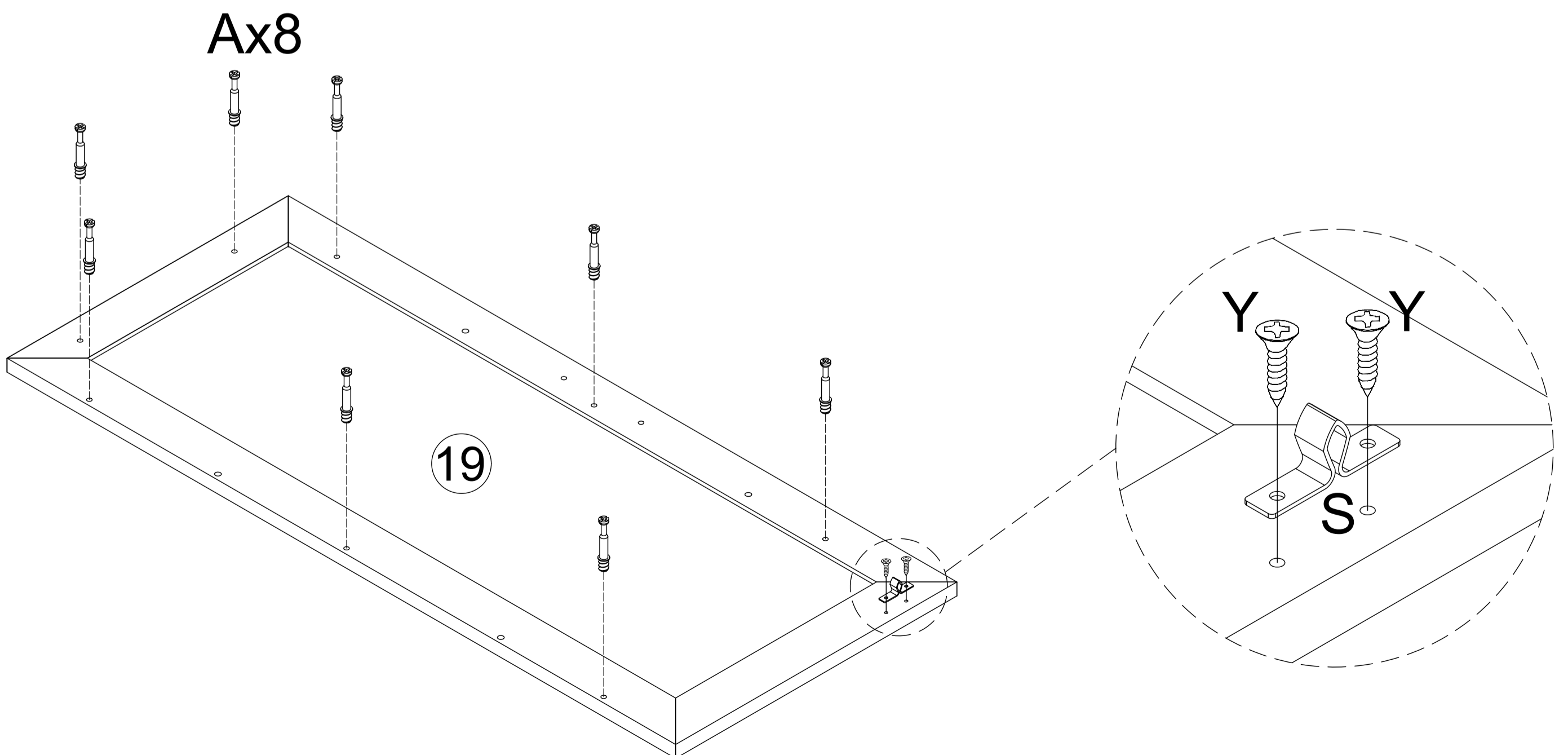
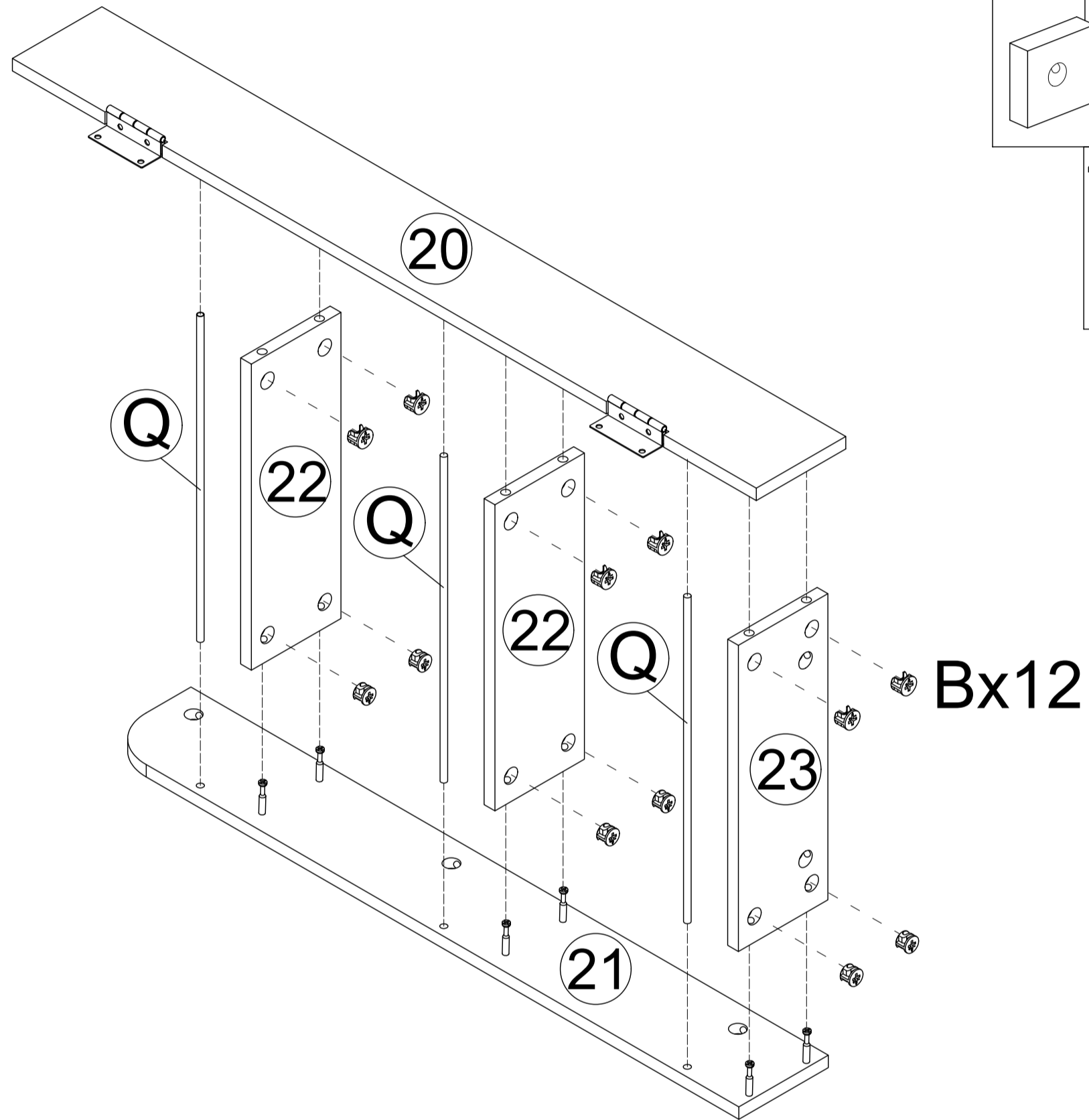
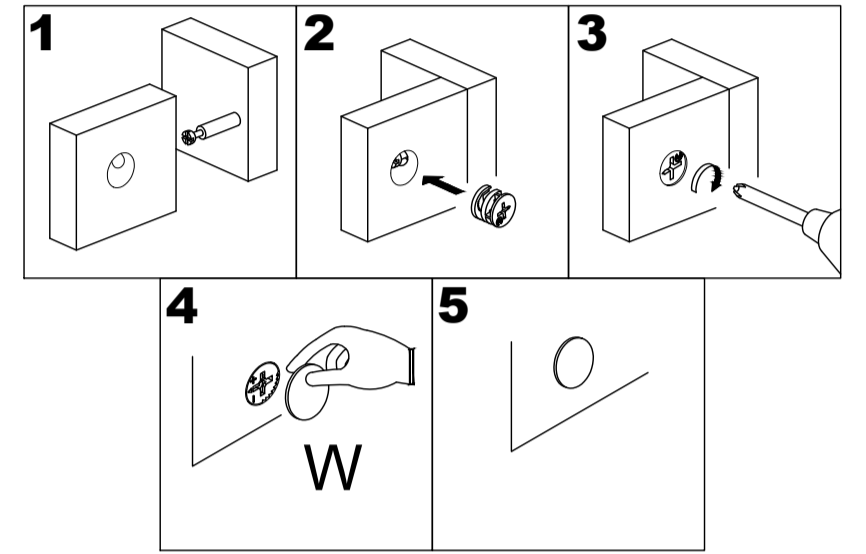
			
J 2PCS	Y 4PCS	A 12PCS	



Assemble


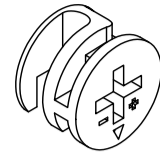

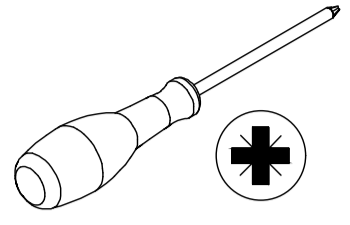

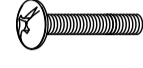
Step 17

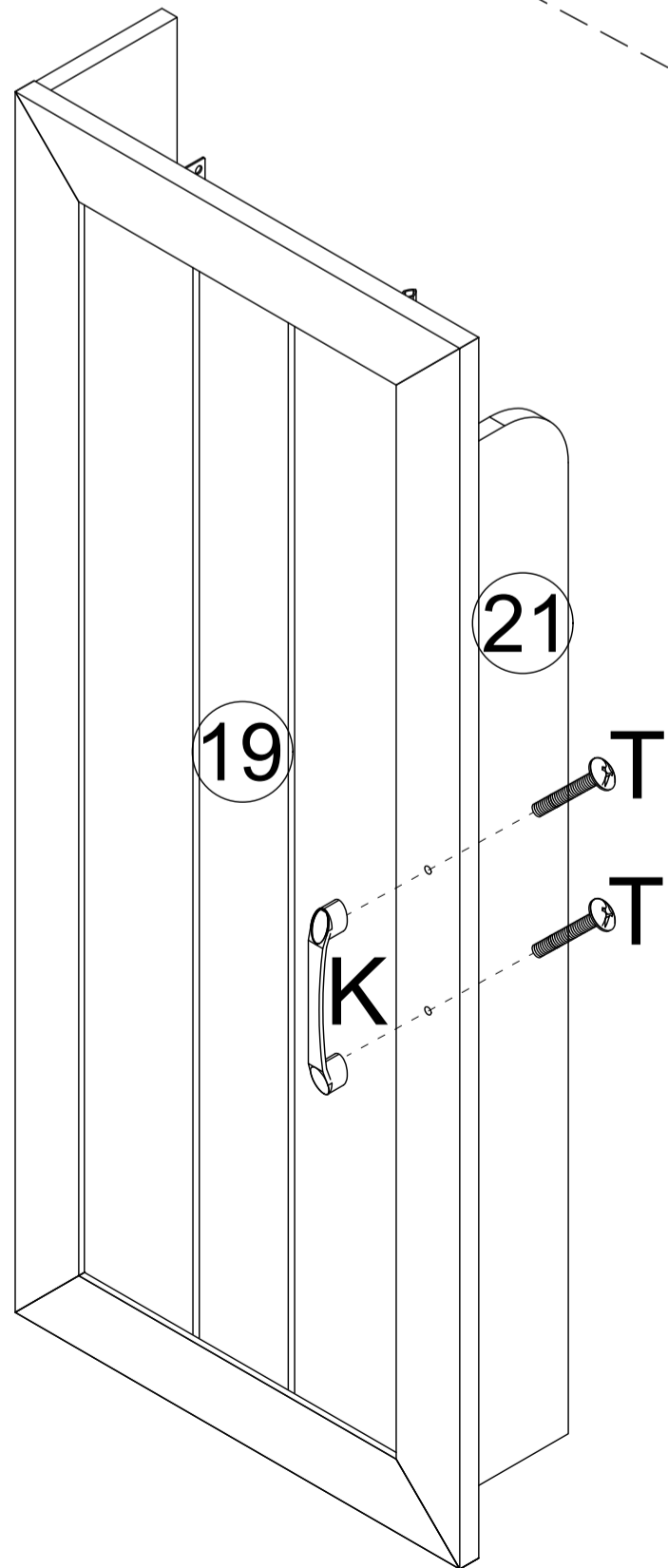
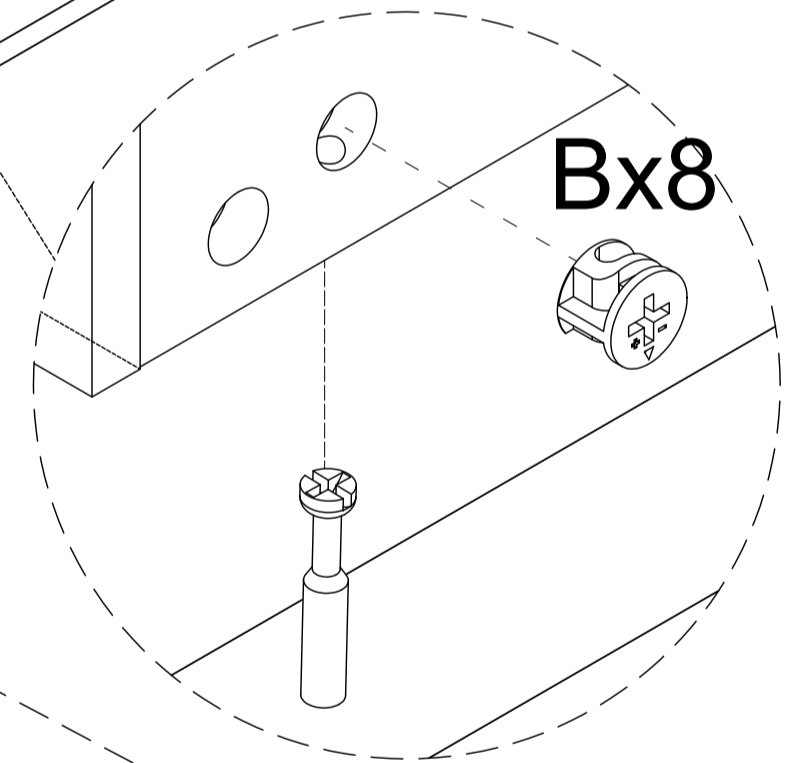
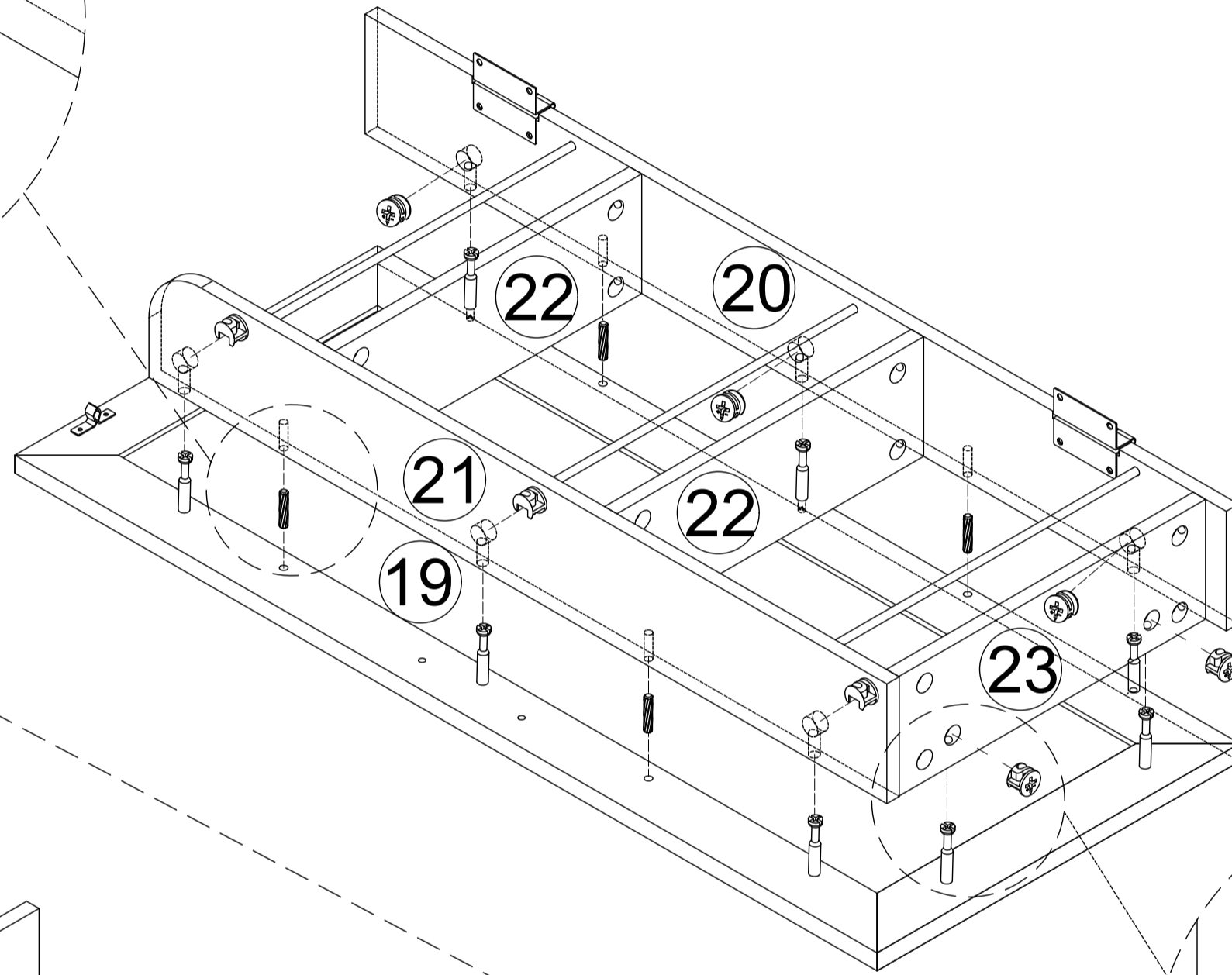
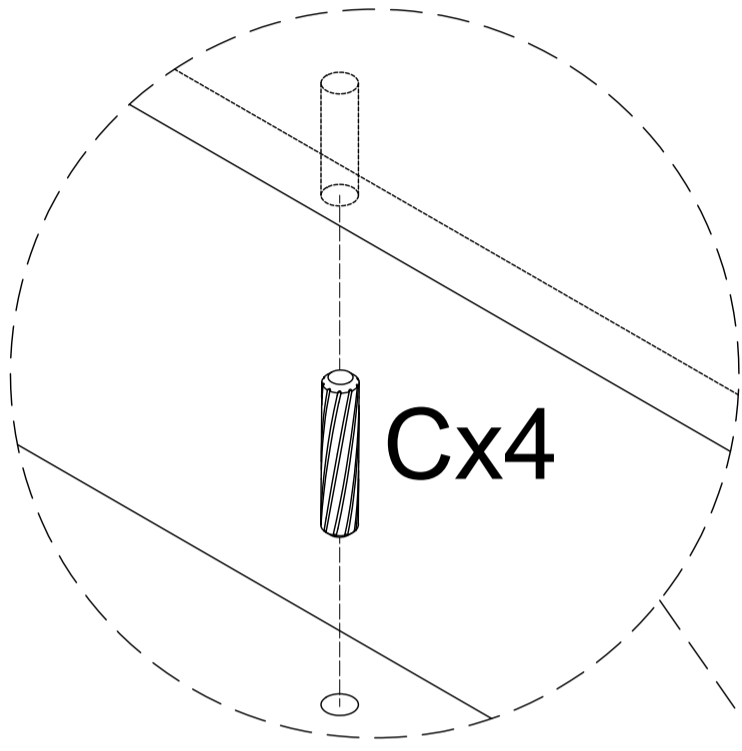
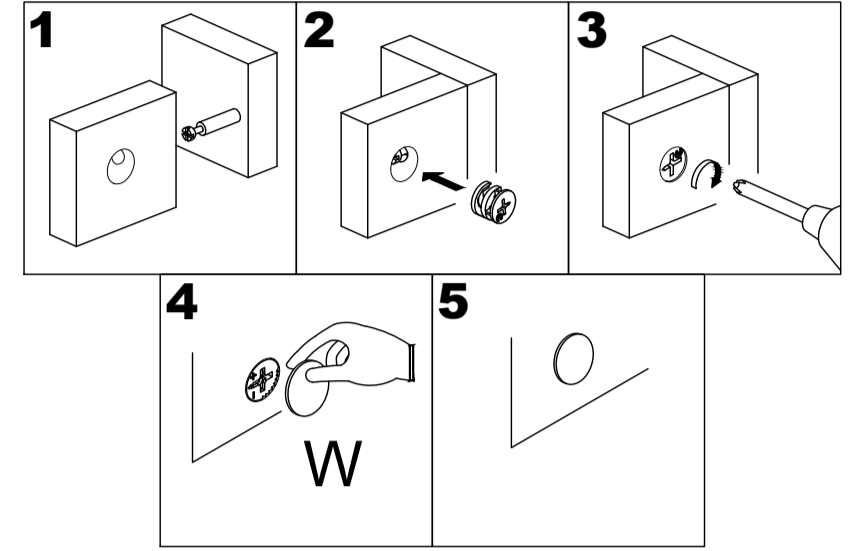
									
A	8PCS	Q	3PCS	Y	2PCS	S	1PC		
						1 		2 	
W	12PCS	B	12PCS			3 			



Assemble

Step 18

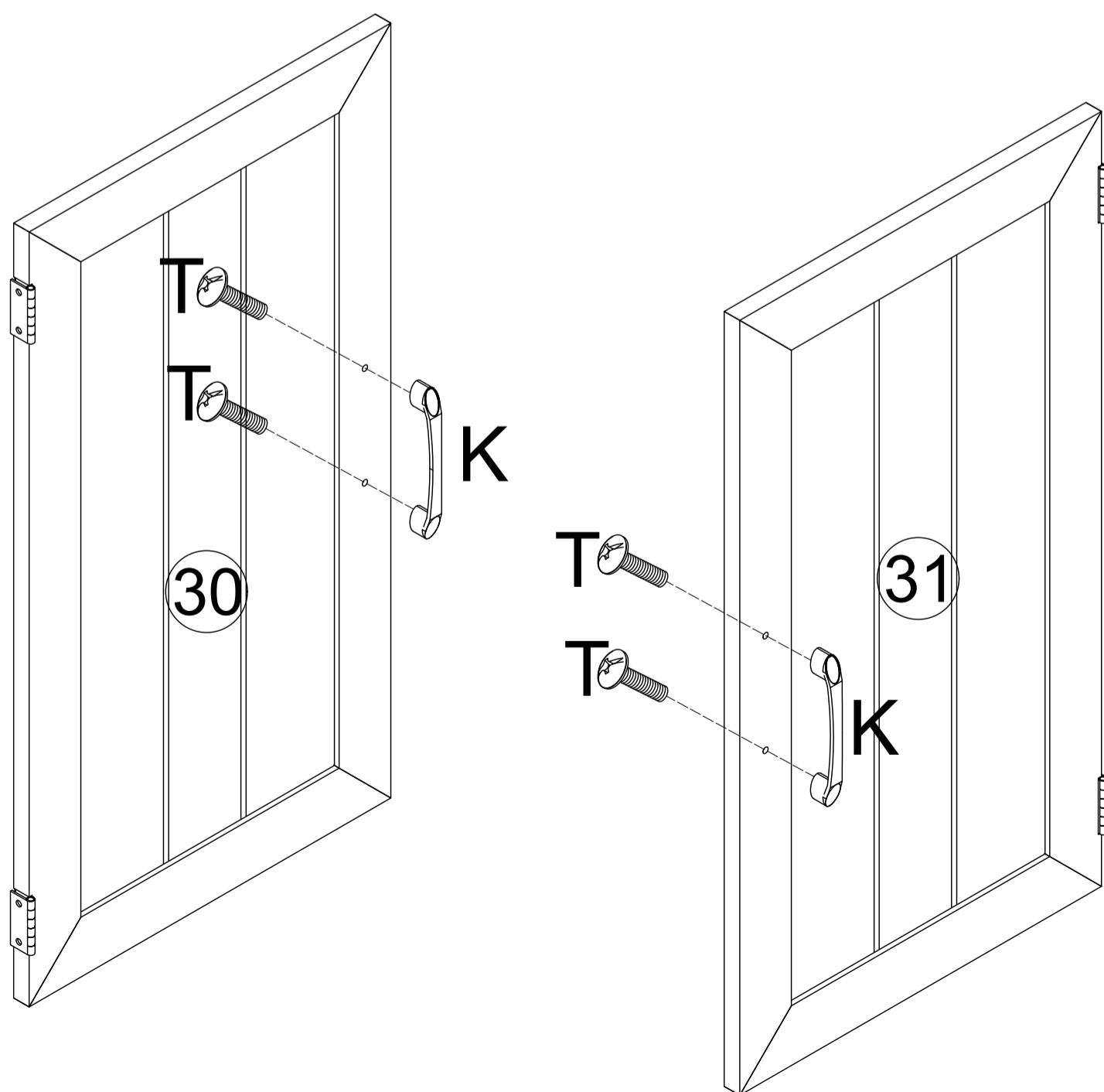
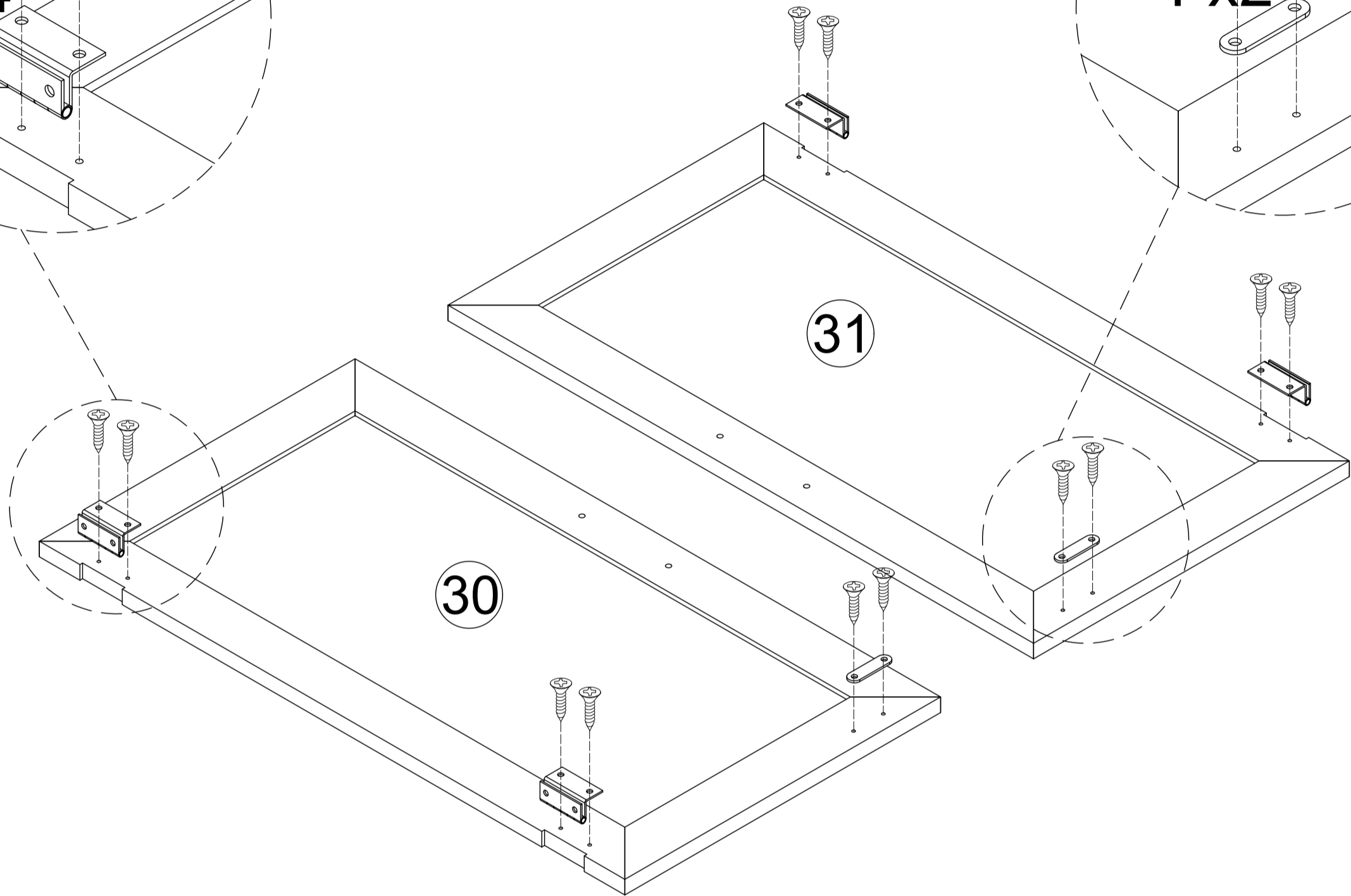
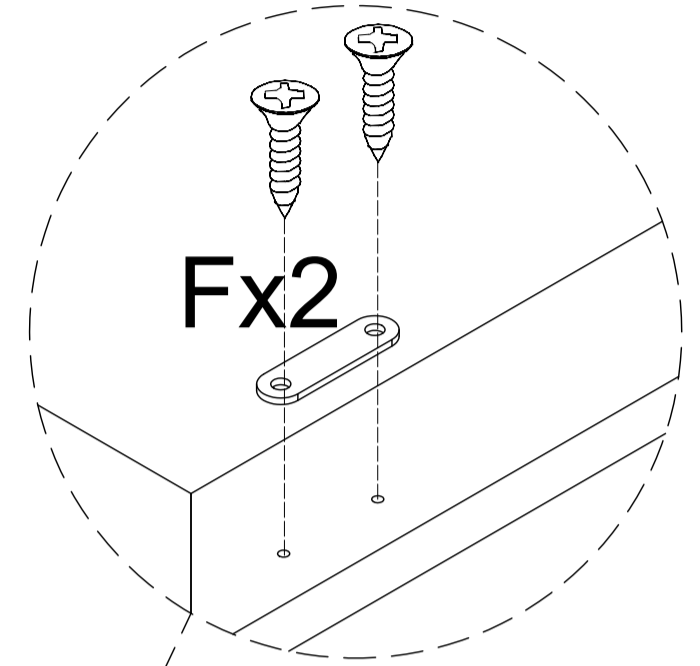
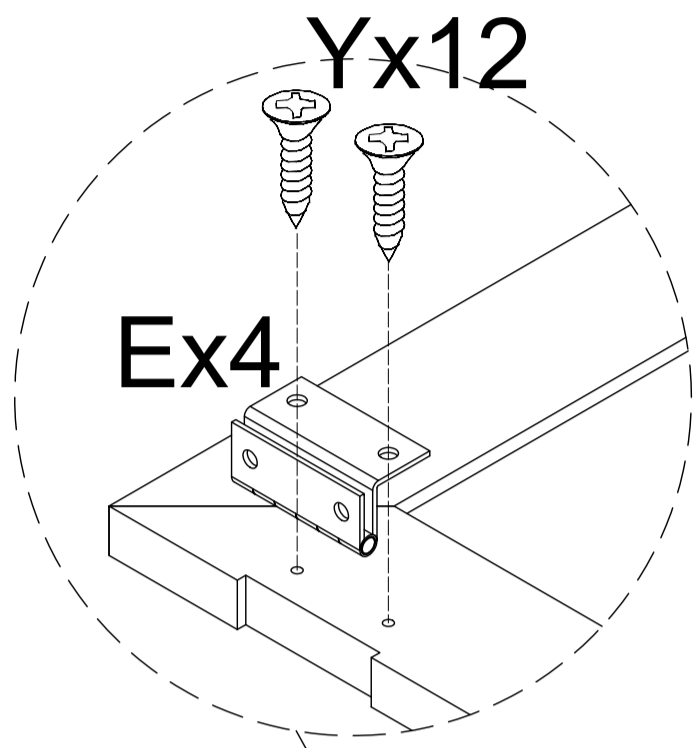
							
W	8PCS	B	8PCS	C	4PCS		
							
K	1PC	T	2PCS				



Assemble

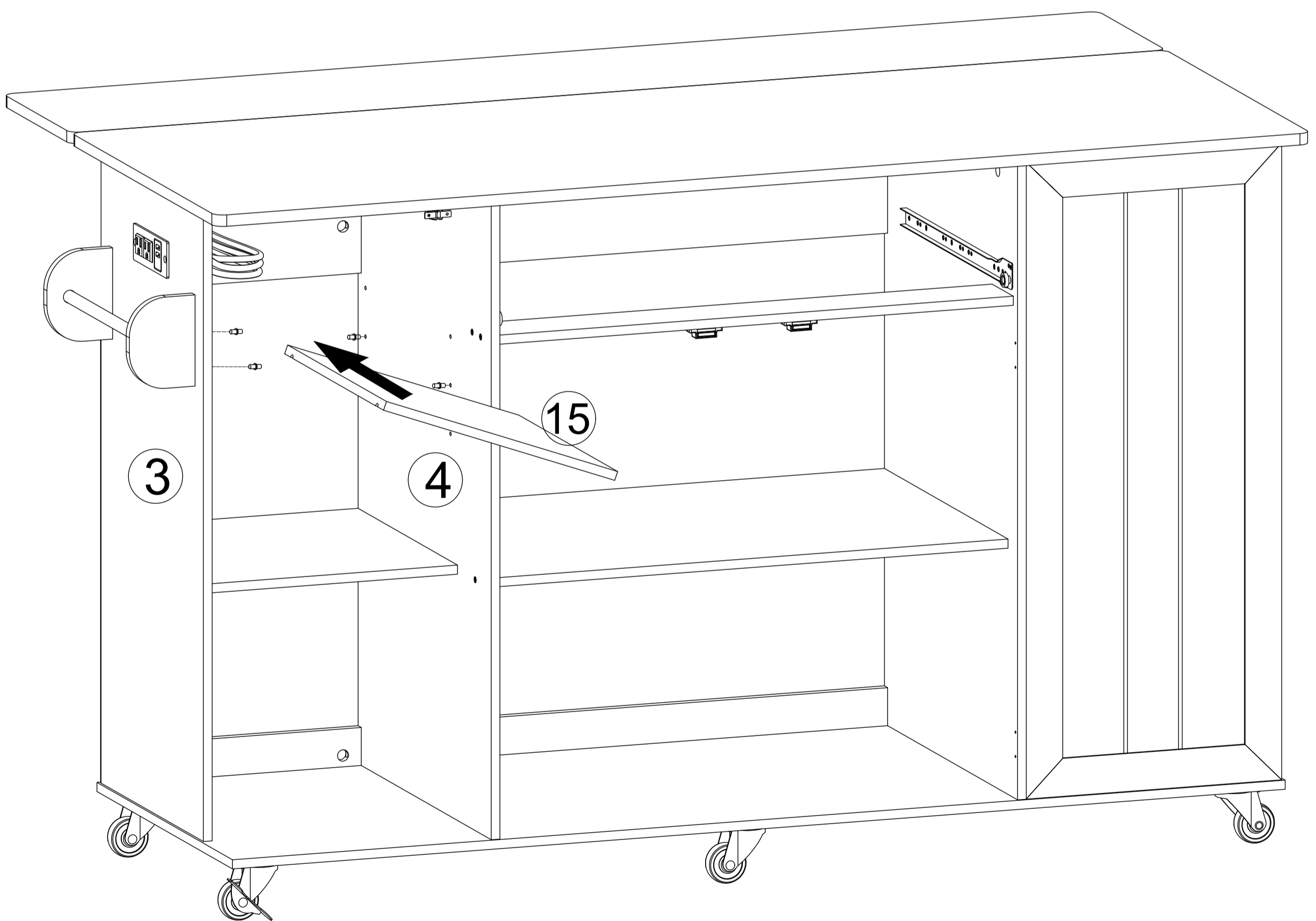
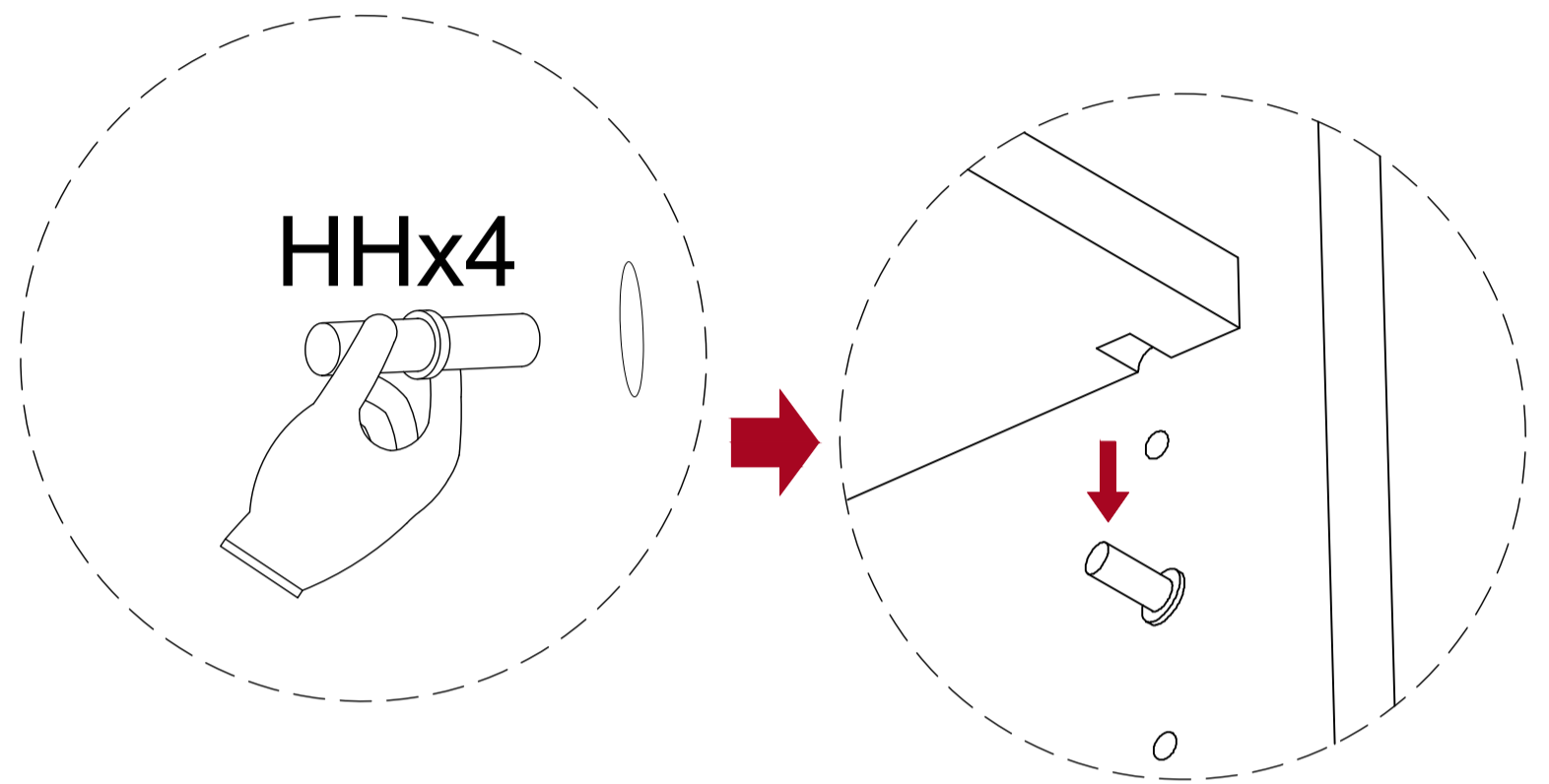
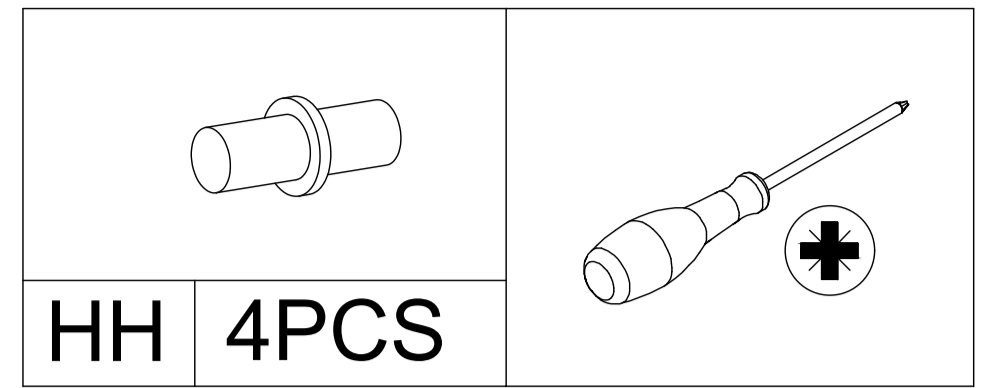
Step 19

E	4PCS	K	2PCS	T	4PCS		
Y	12PCS	F	2PCS				



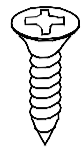
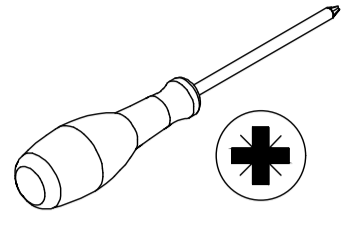
Assemble

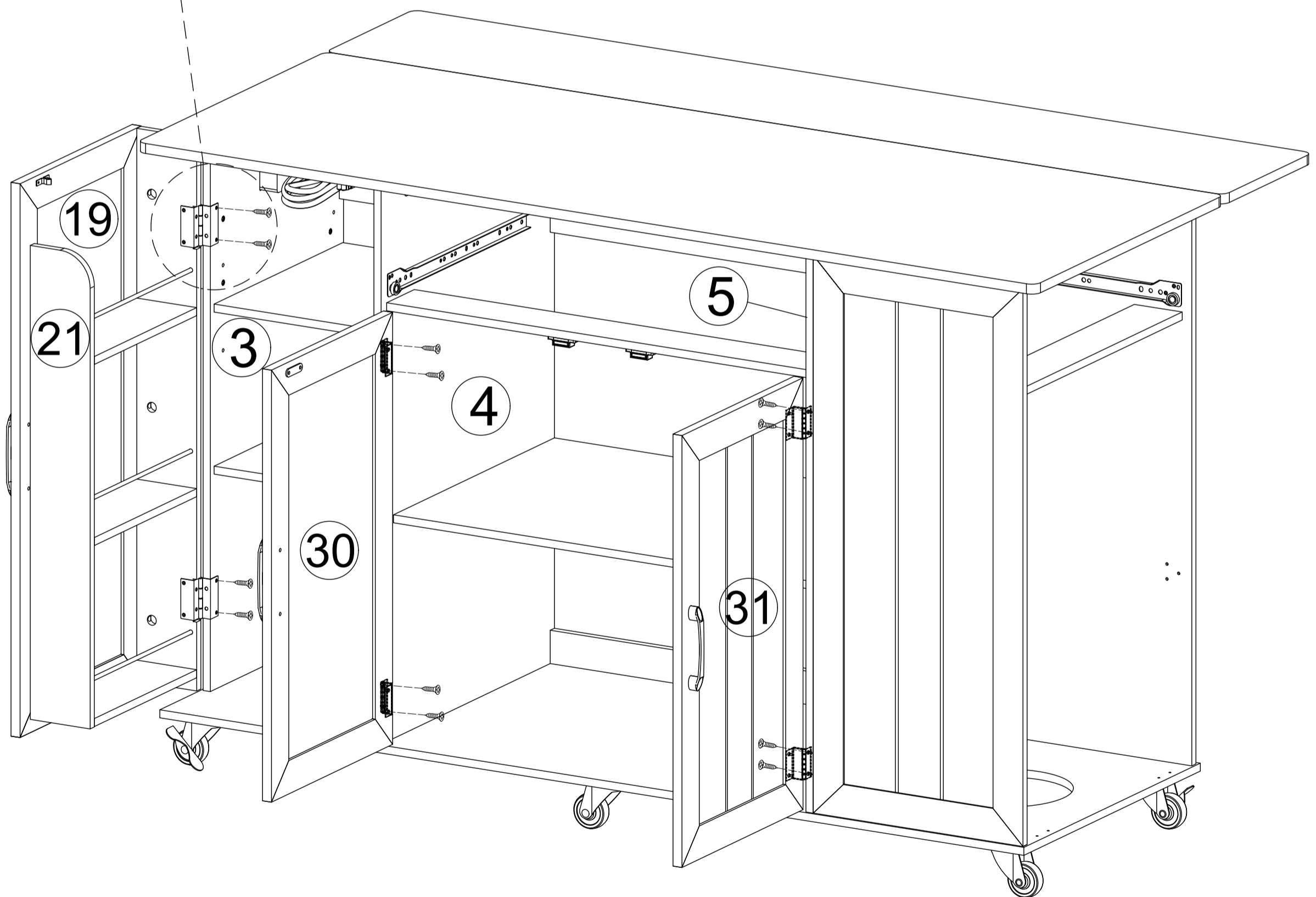
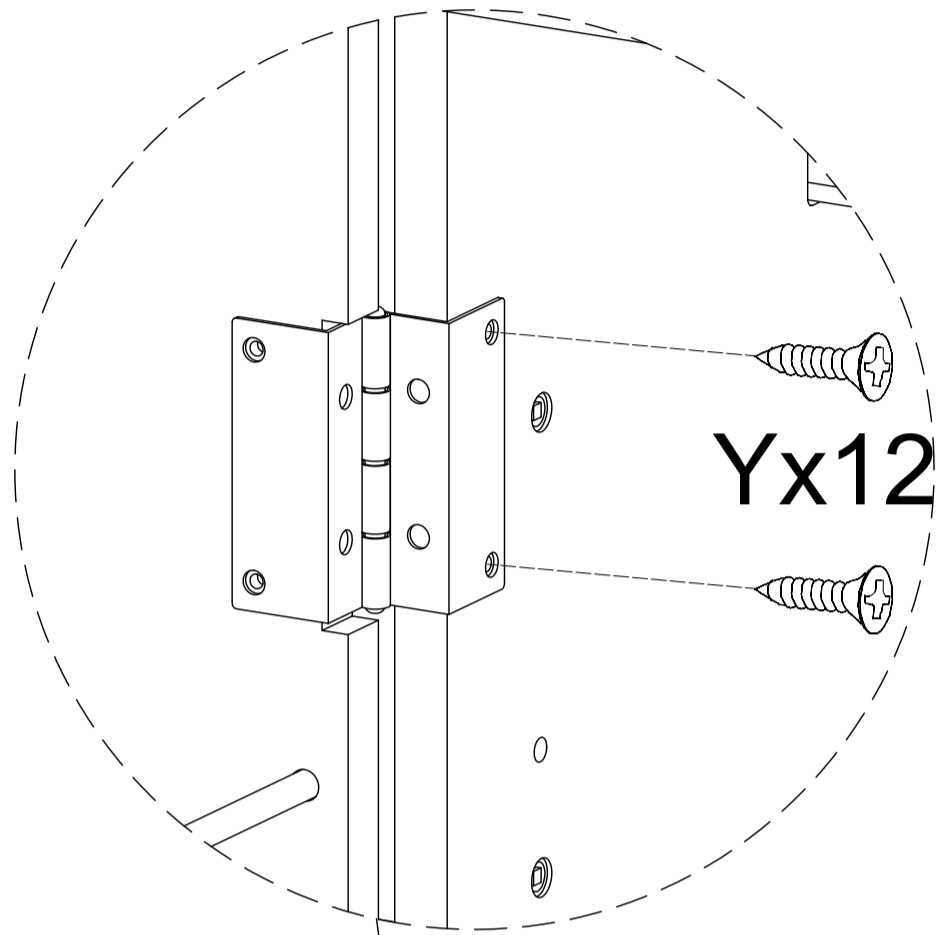
Step 20



Assemble

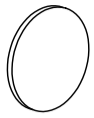
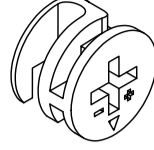

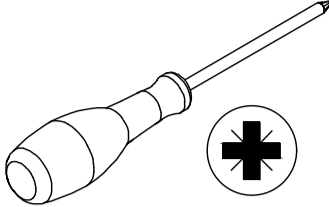
Step 21

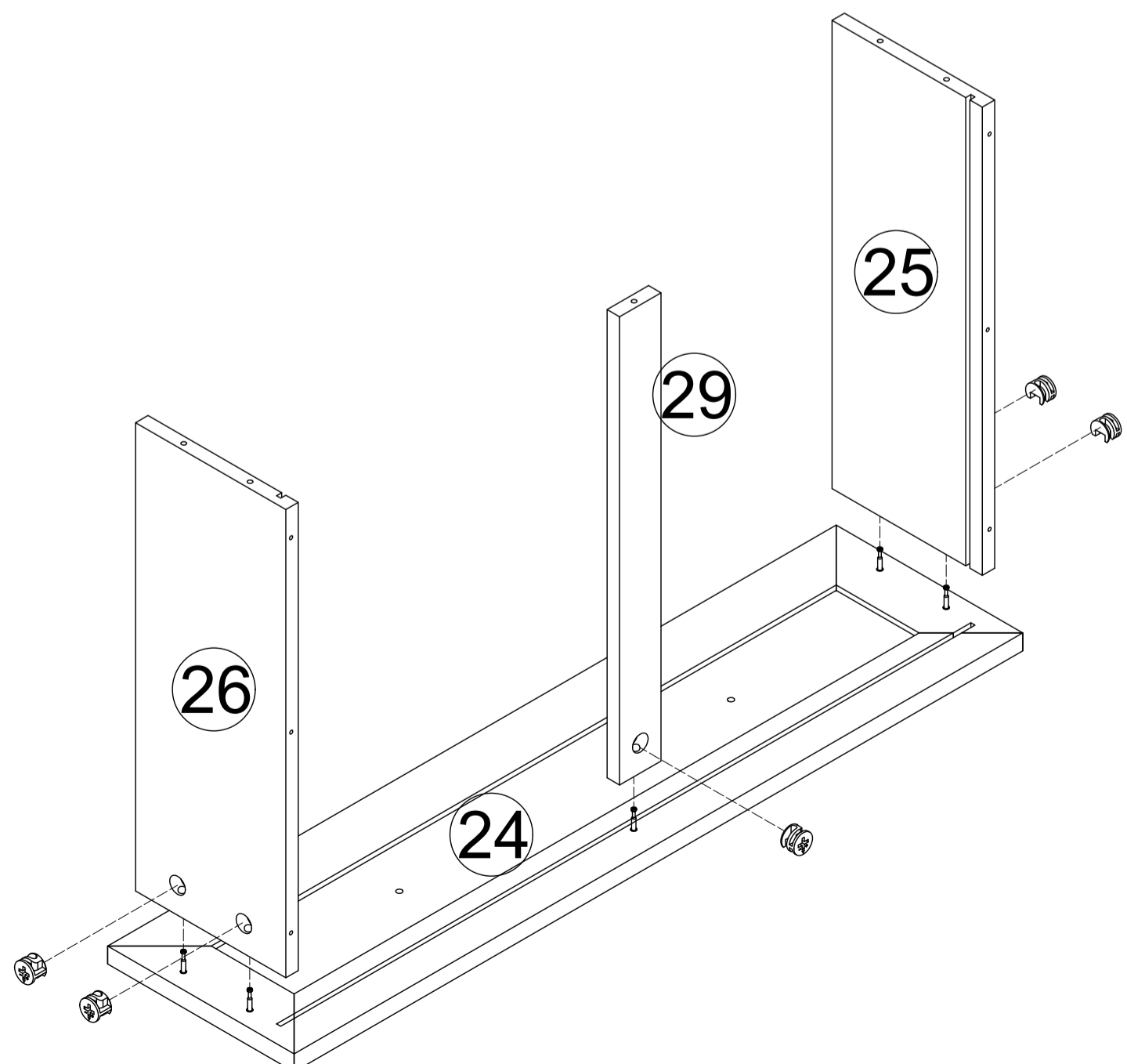
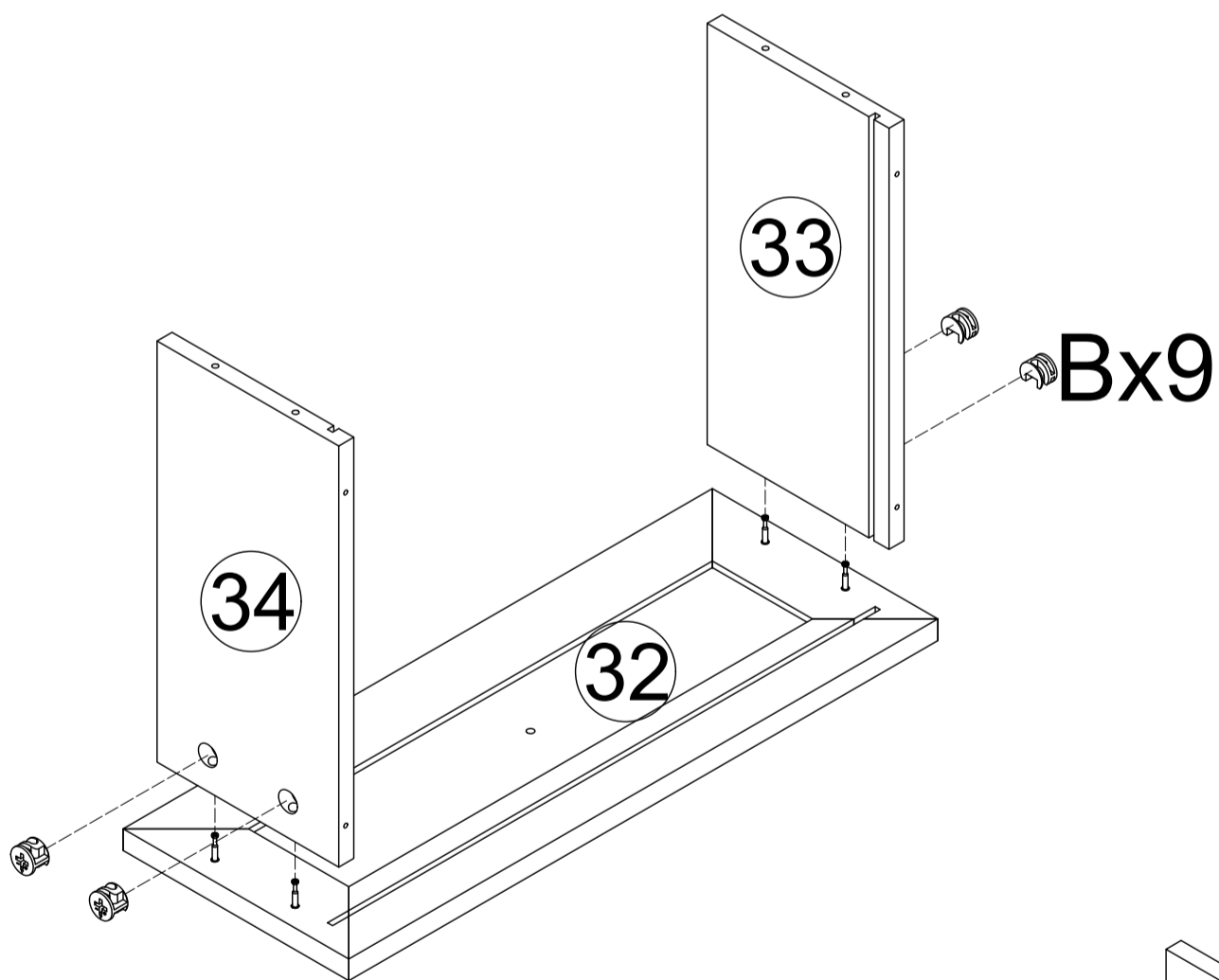
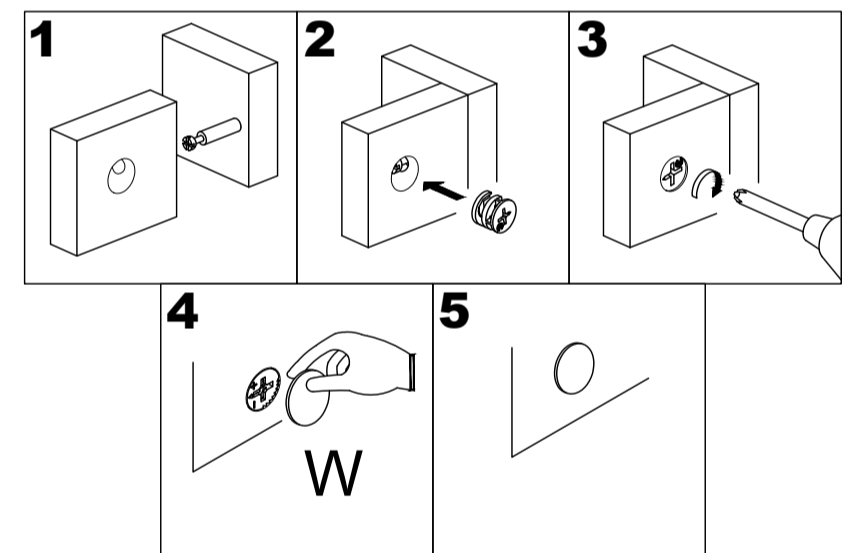
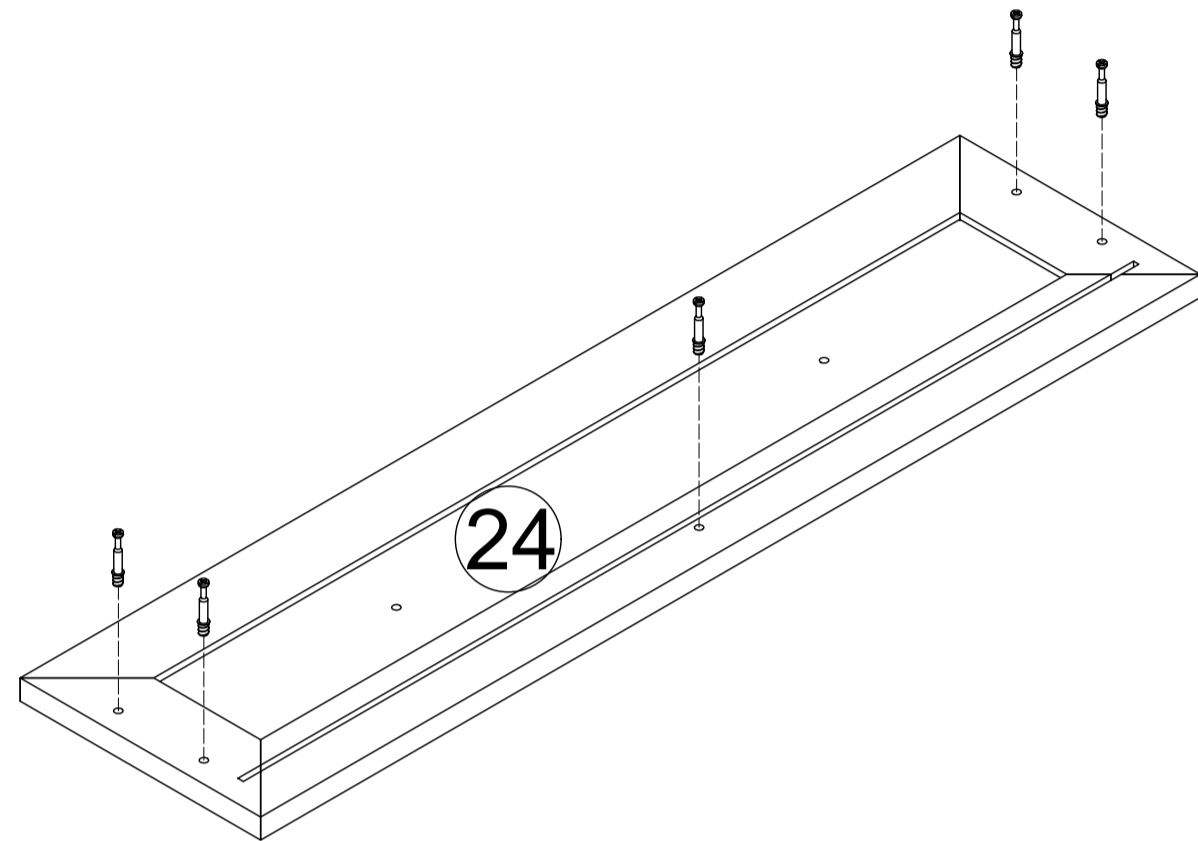
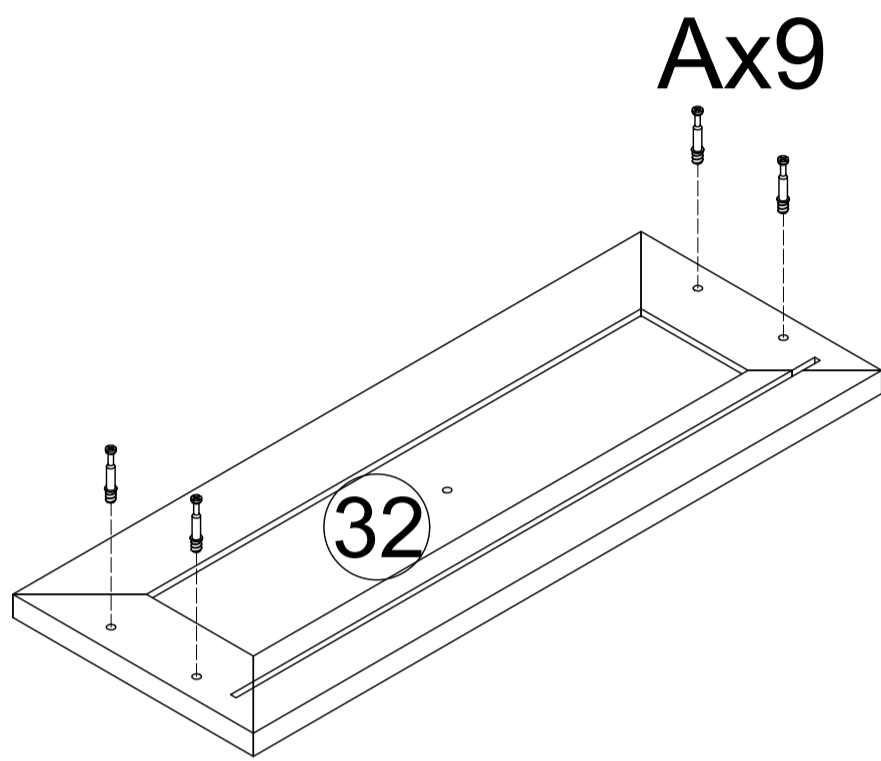
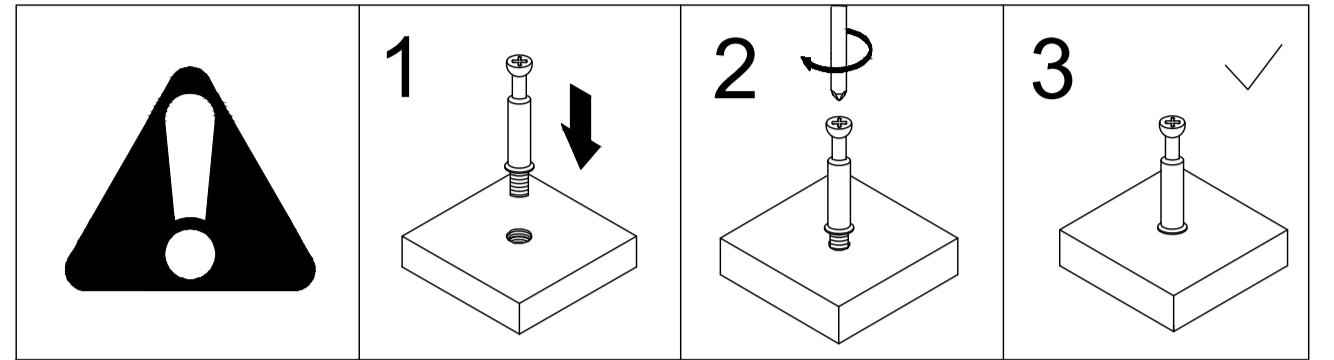
	
Y	12PCS



Assemble

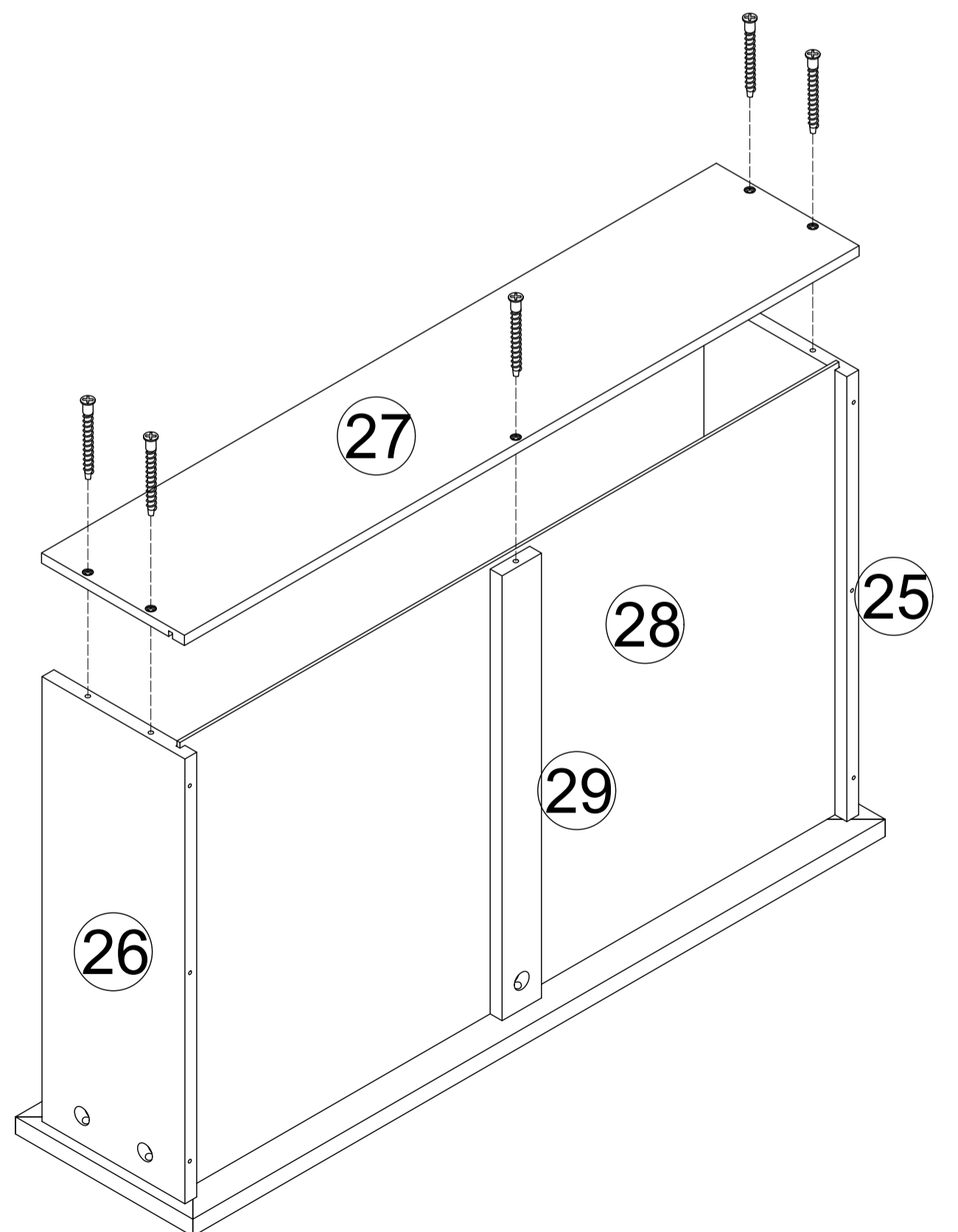
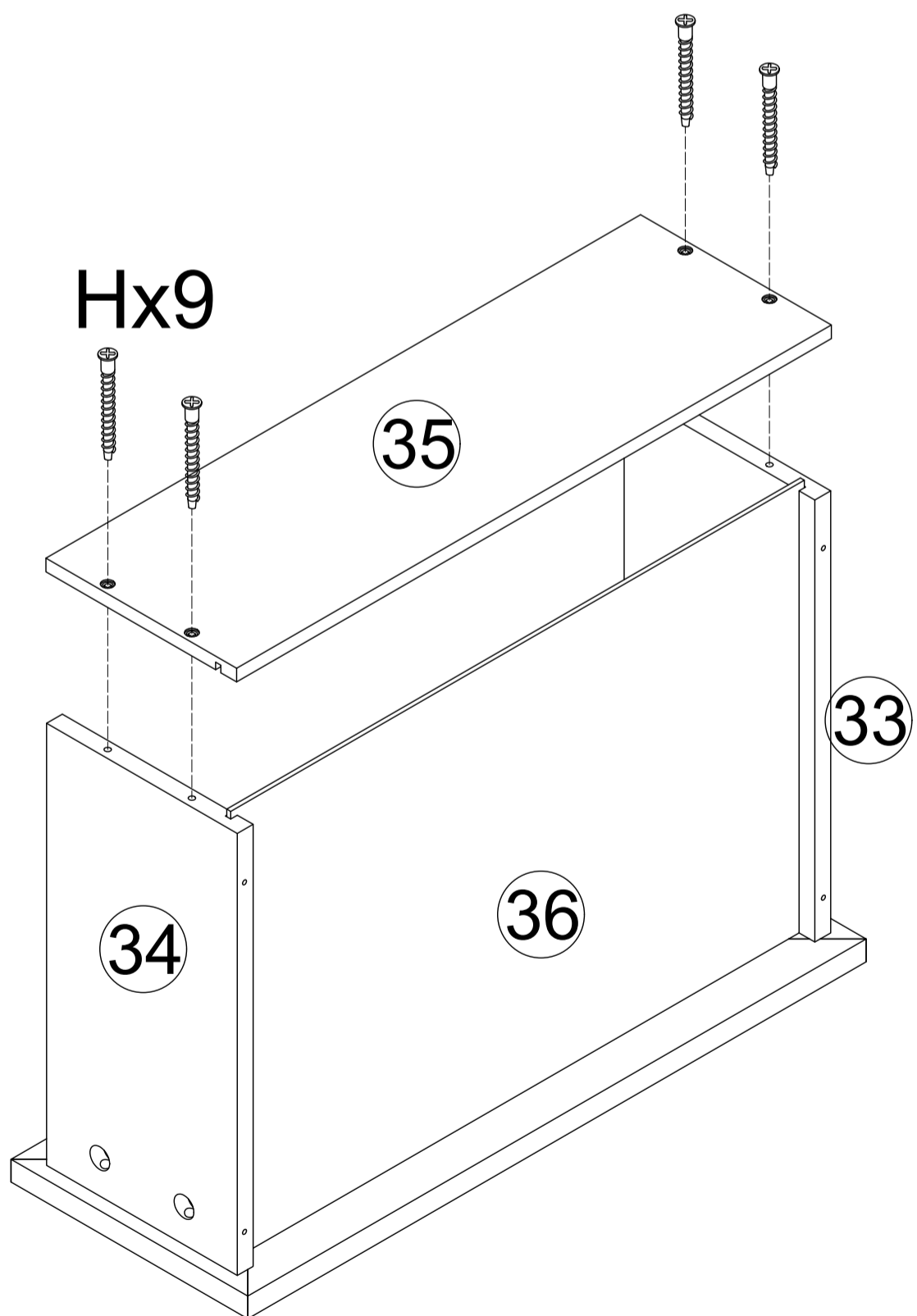
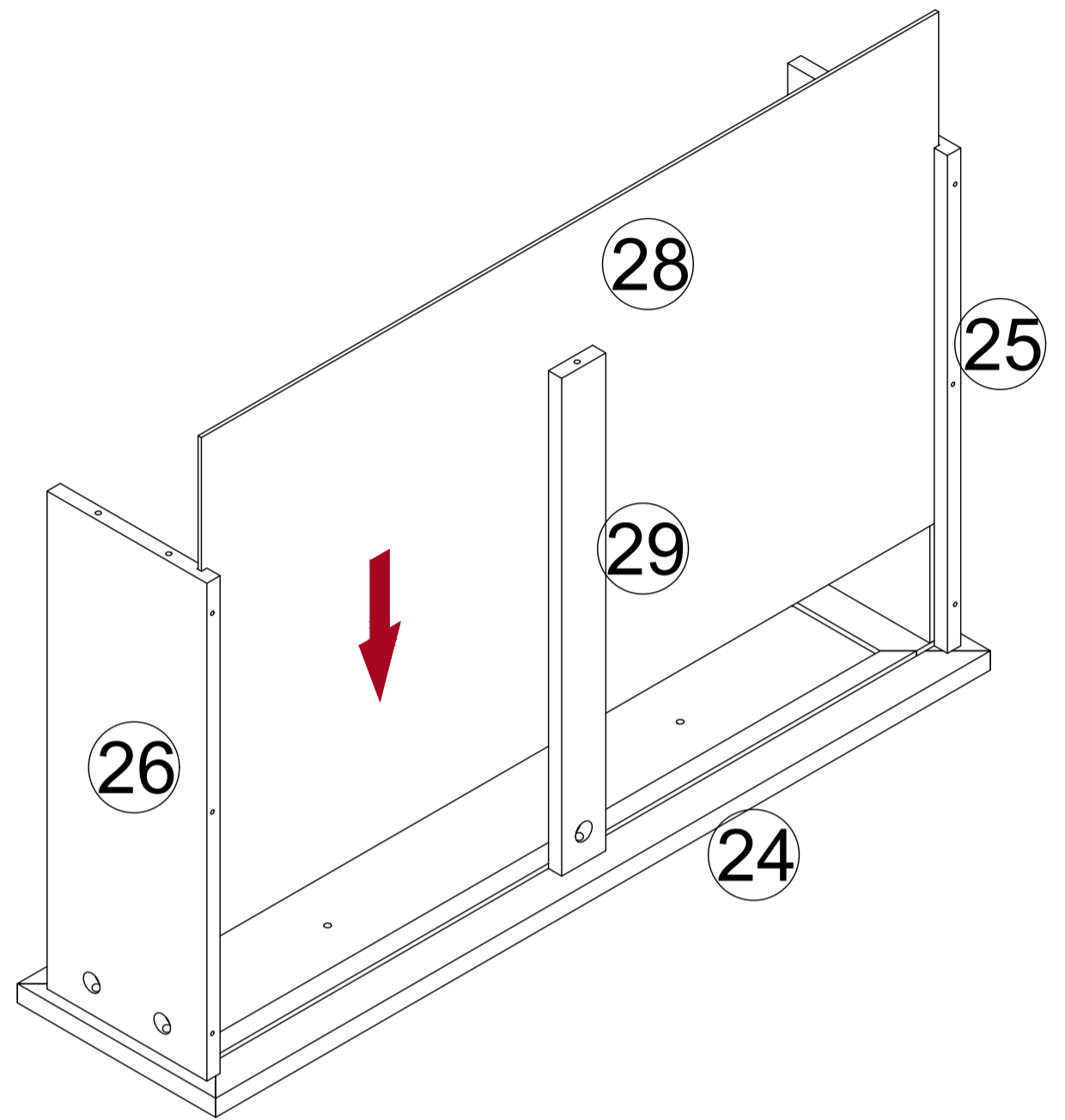
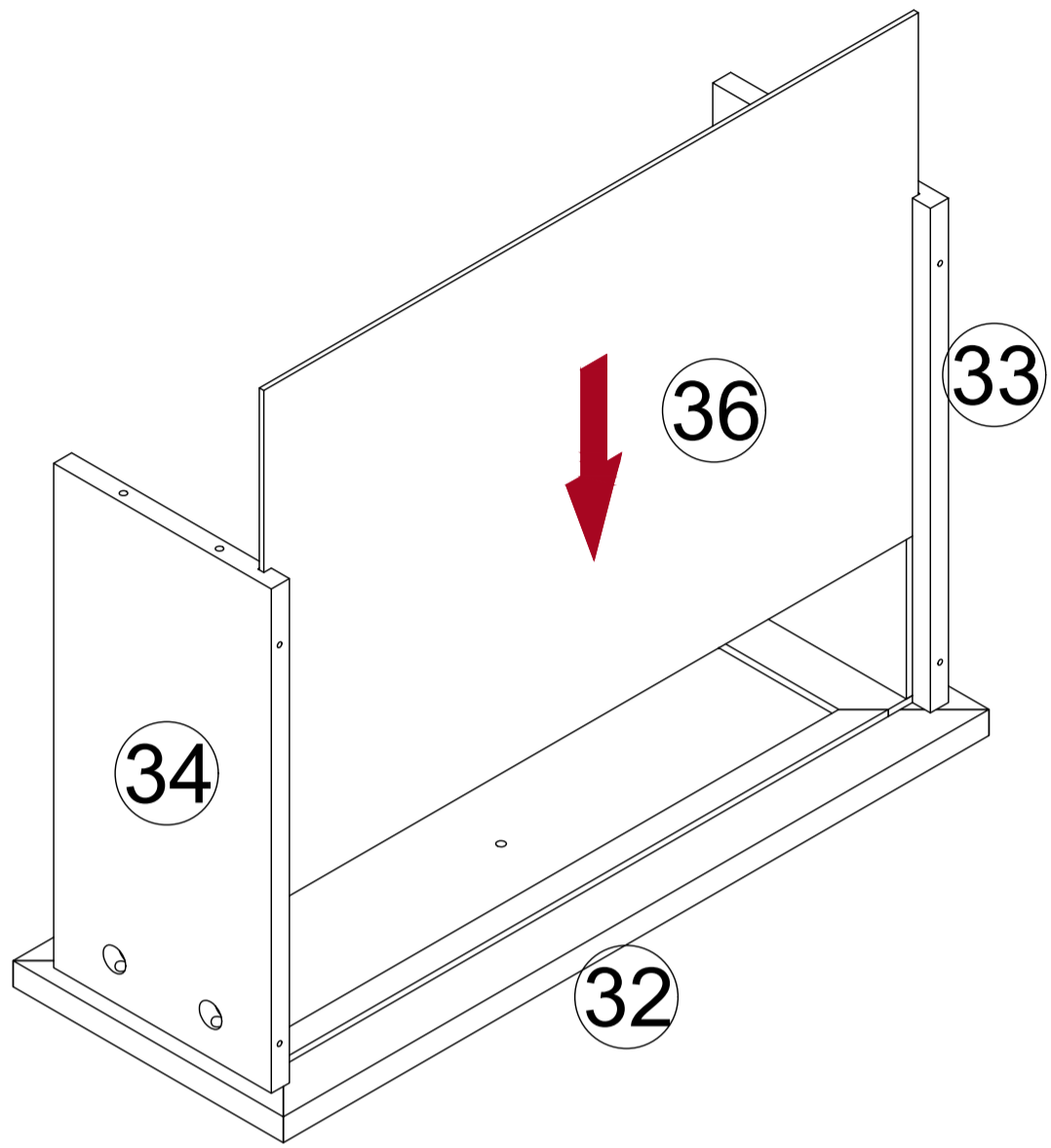
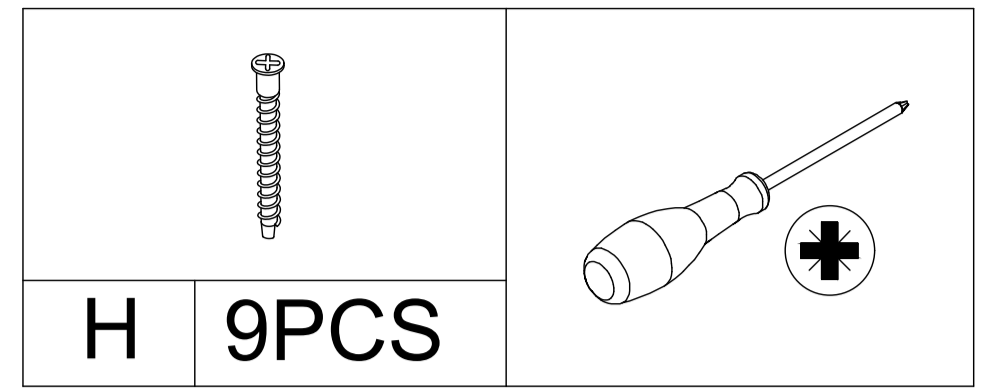
Step 22

					
W	9PCS	B	9PCS	A	9PCS



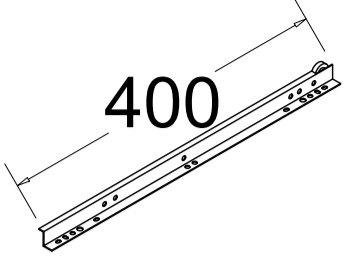
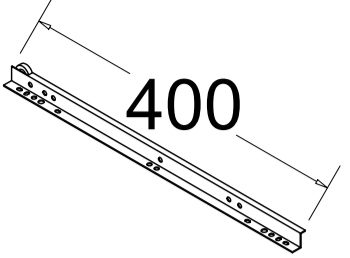
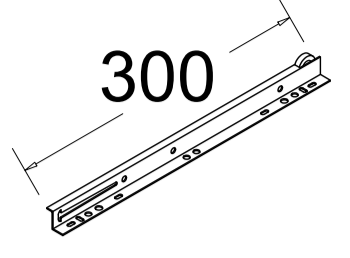
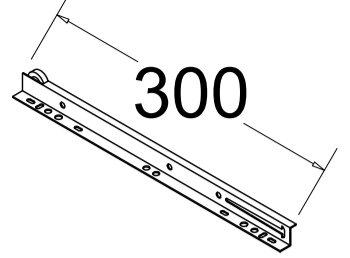
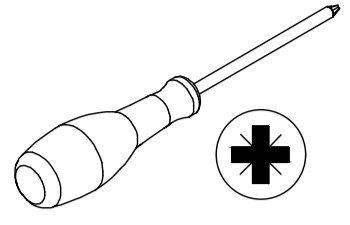
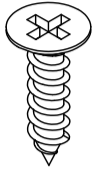
Assemble

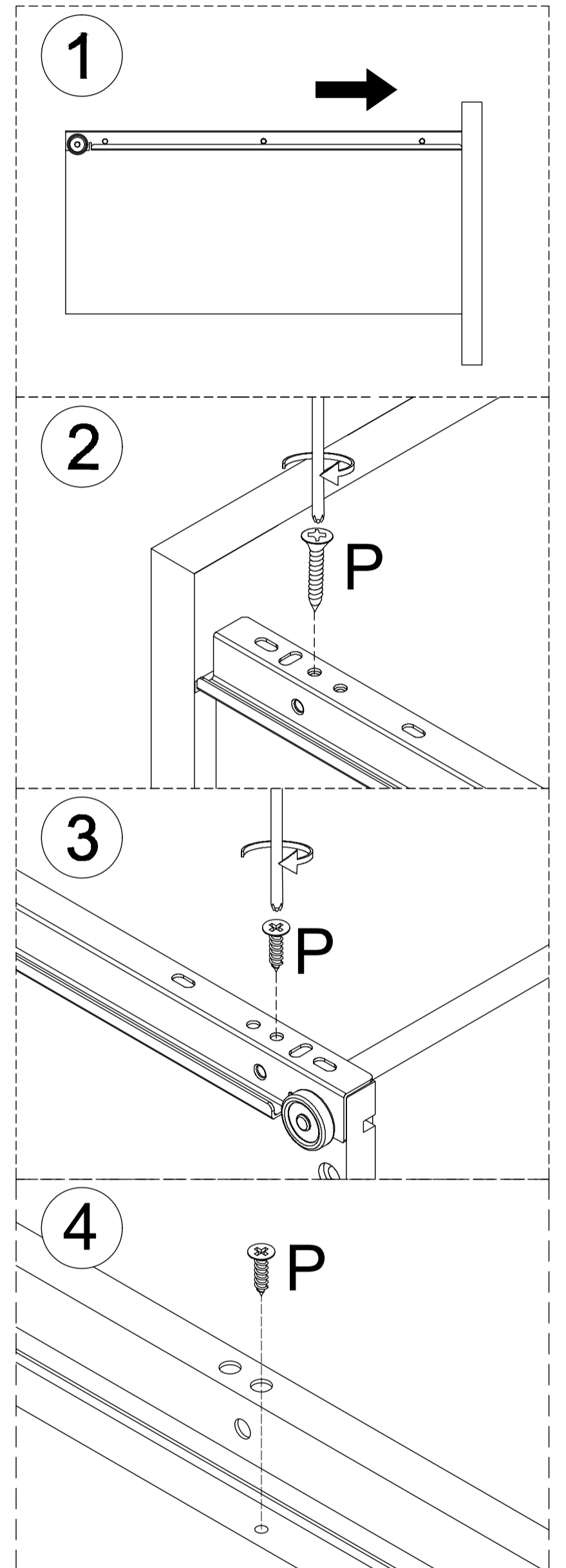
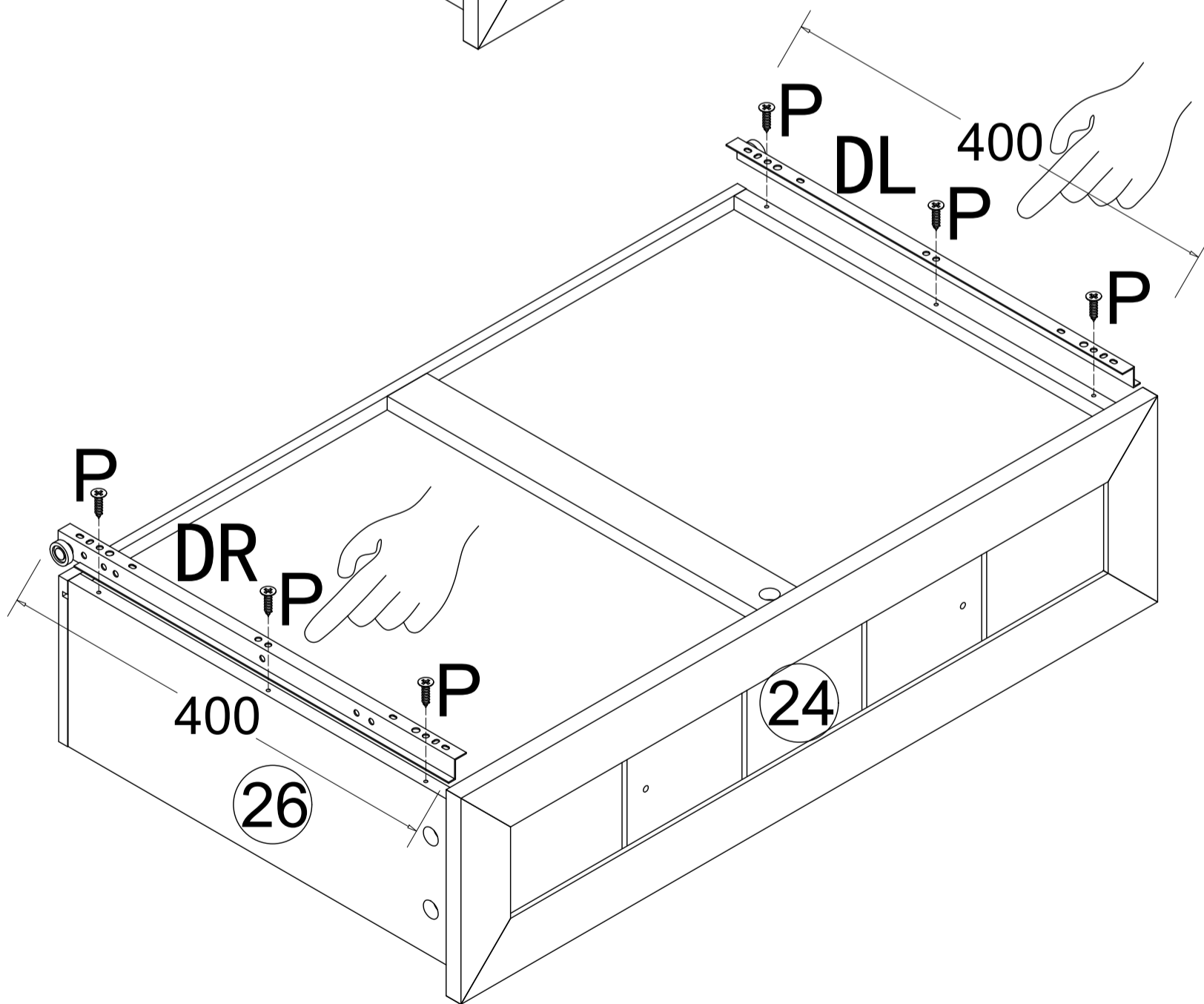
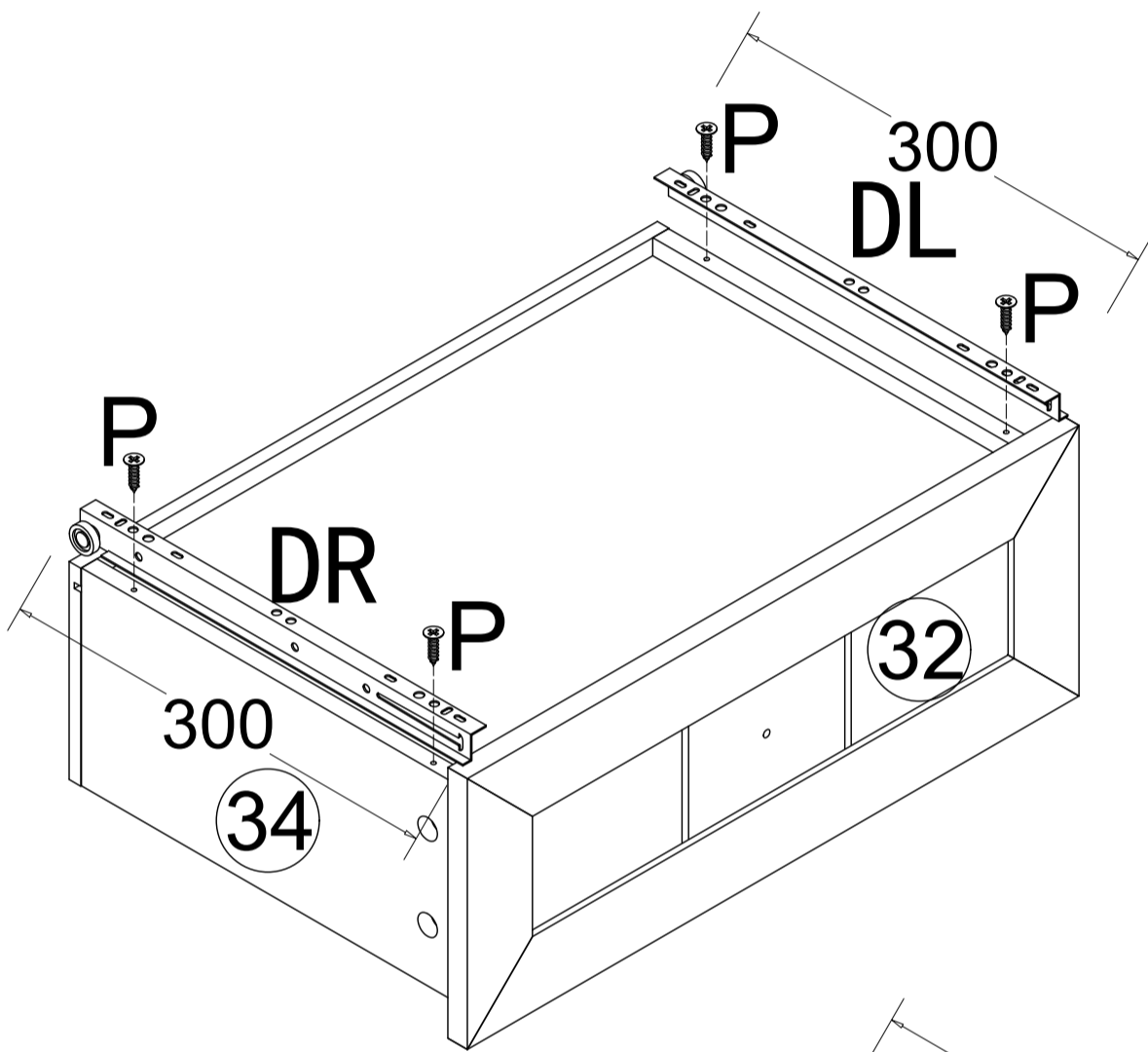
Step 23



Assemble

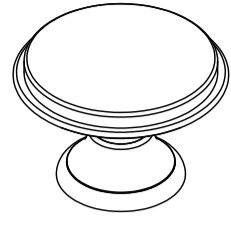
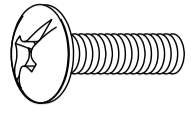
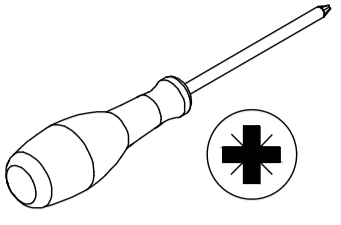
Step 24

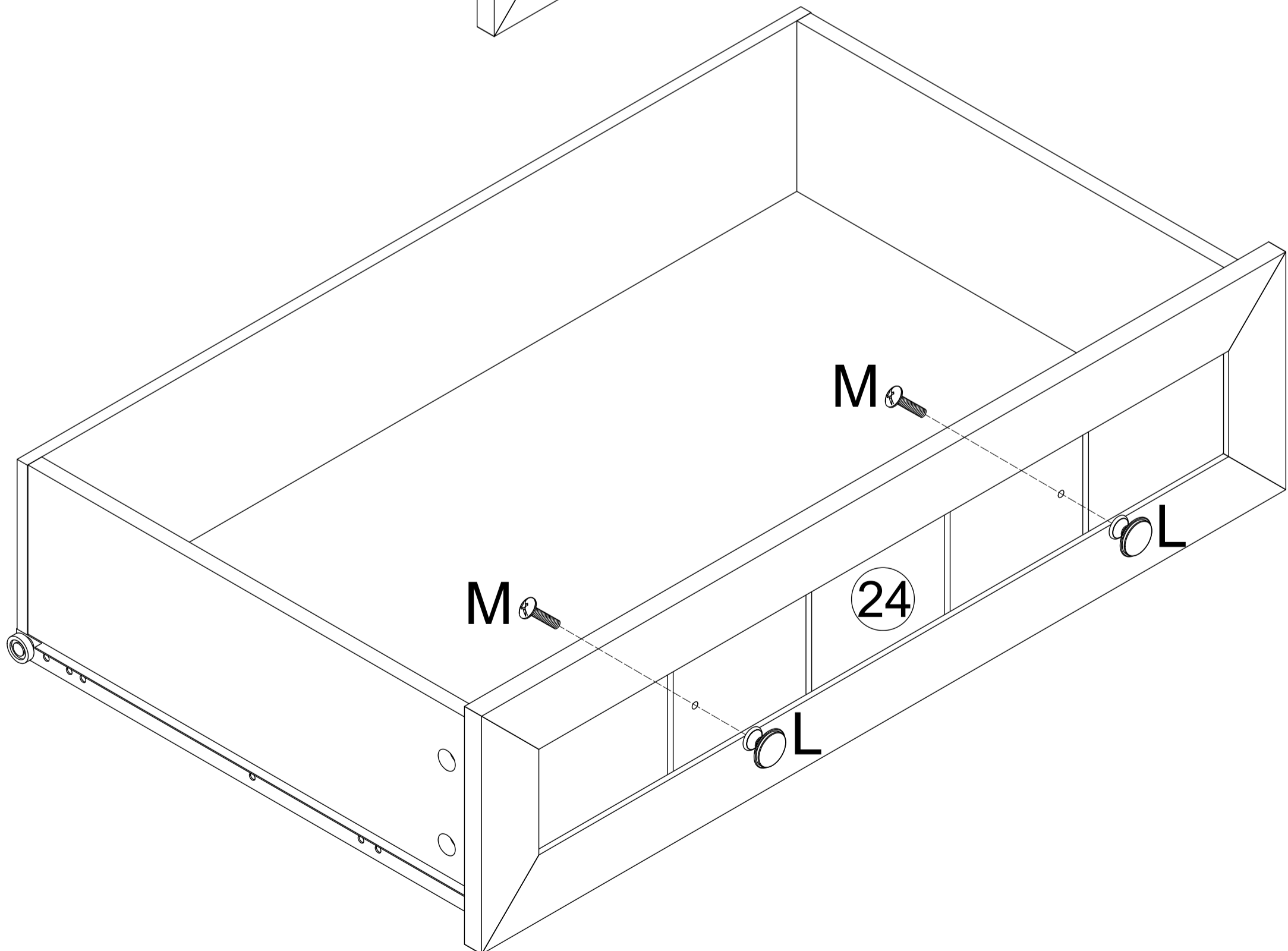
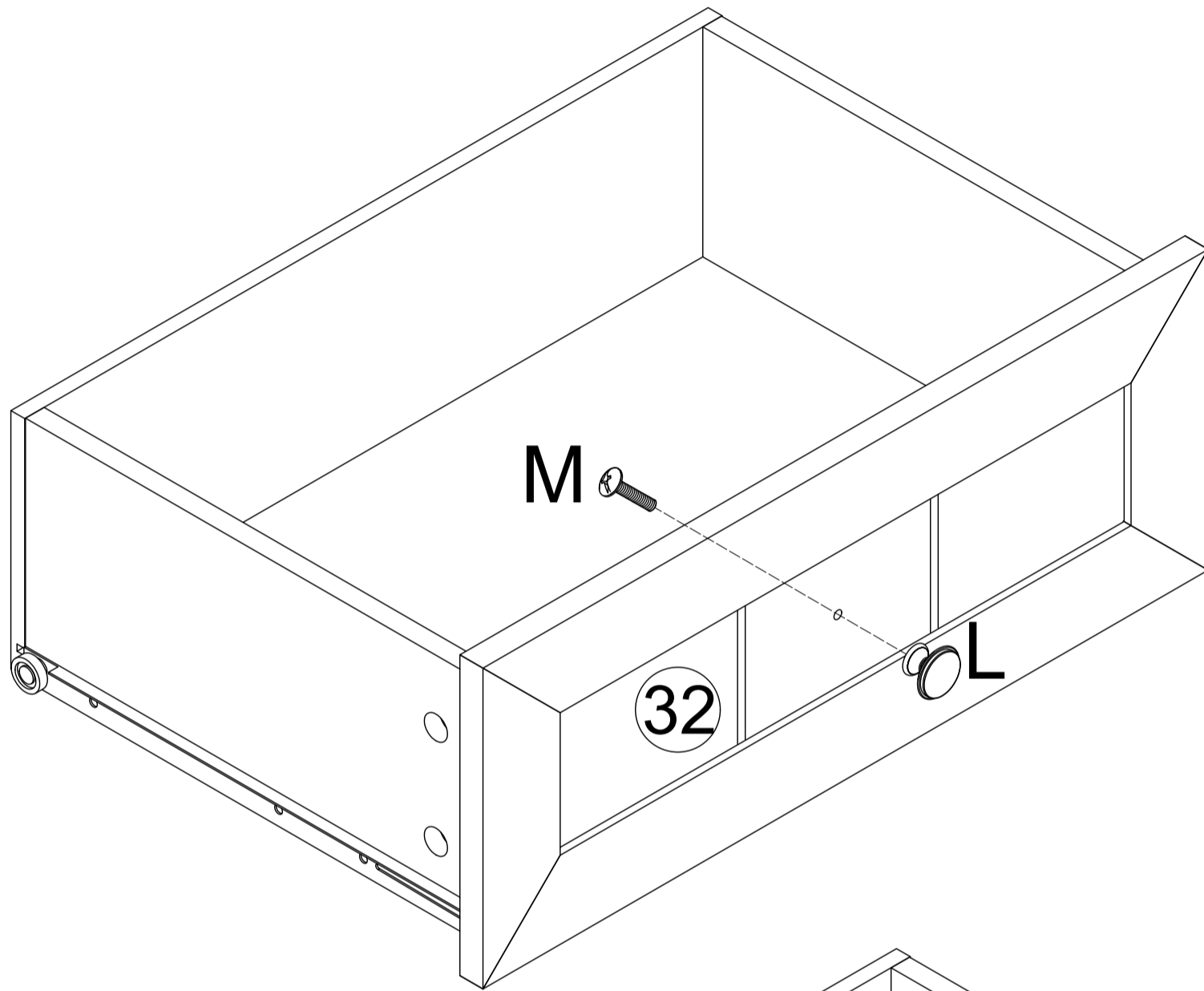
				
DL 1PC	DR 1PC	DL 1PC	DR 1PC	
				
P	10PCS			



Assemble

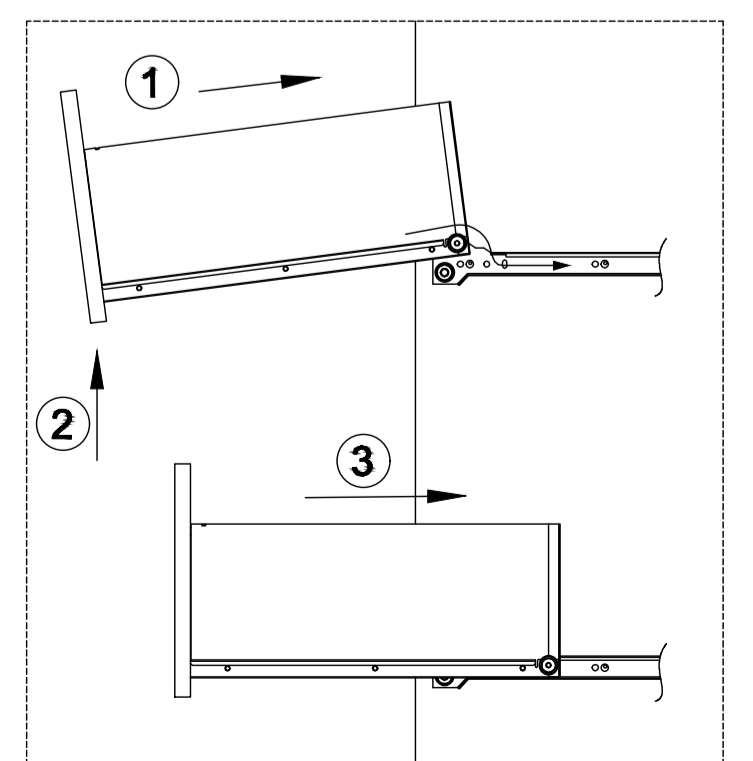
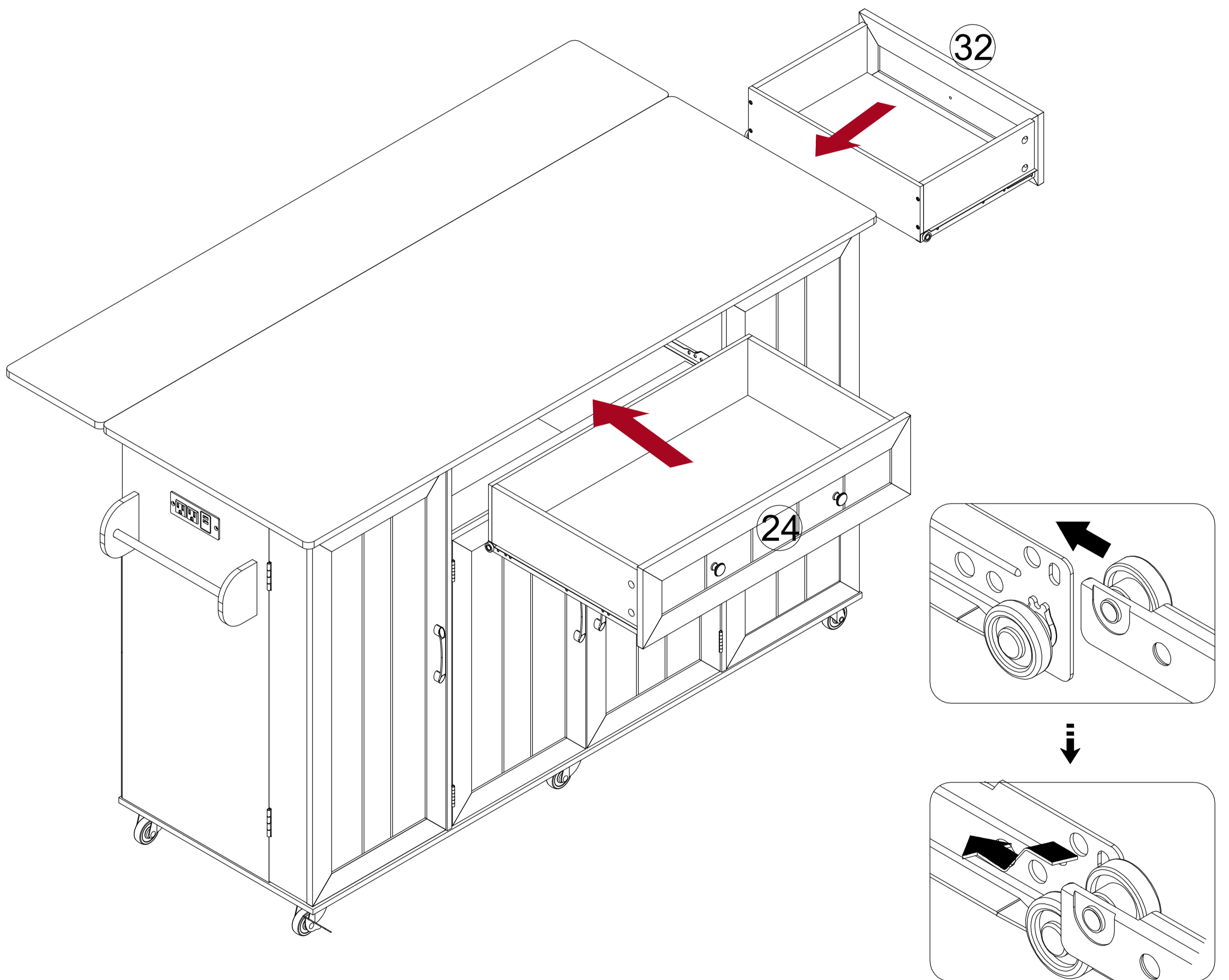
Step 25

					
L	3PCS	M	3PCS		



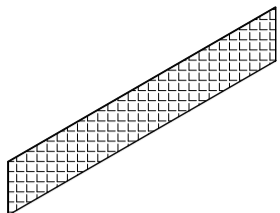
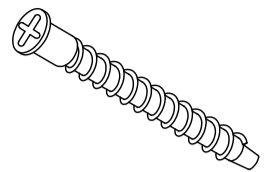

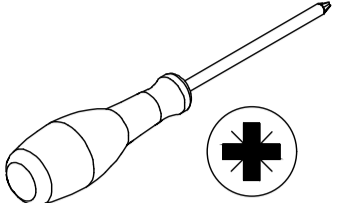
Assemble

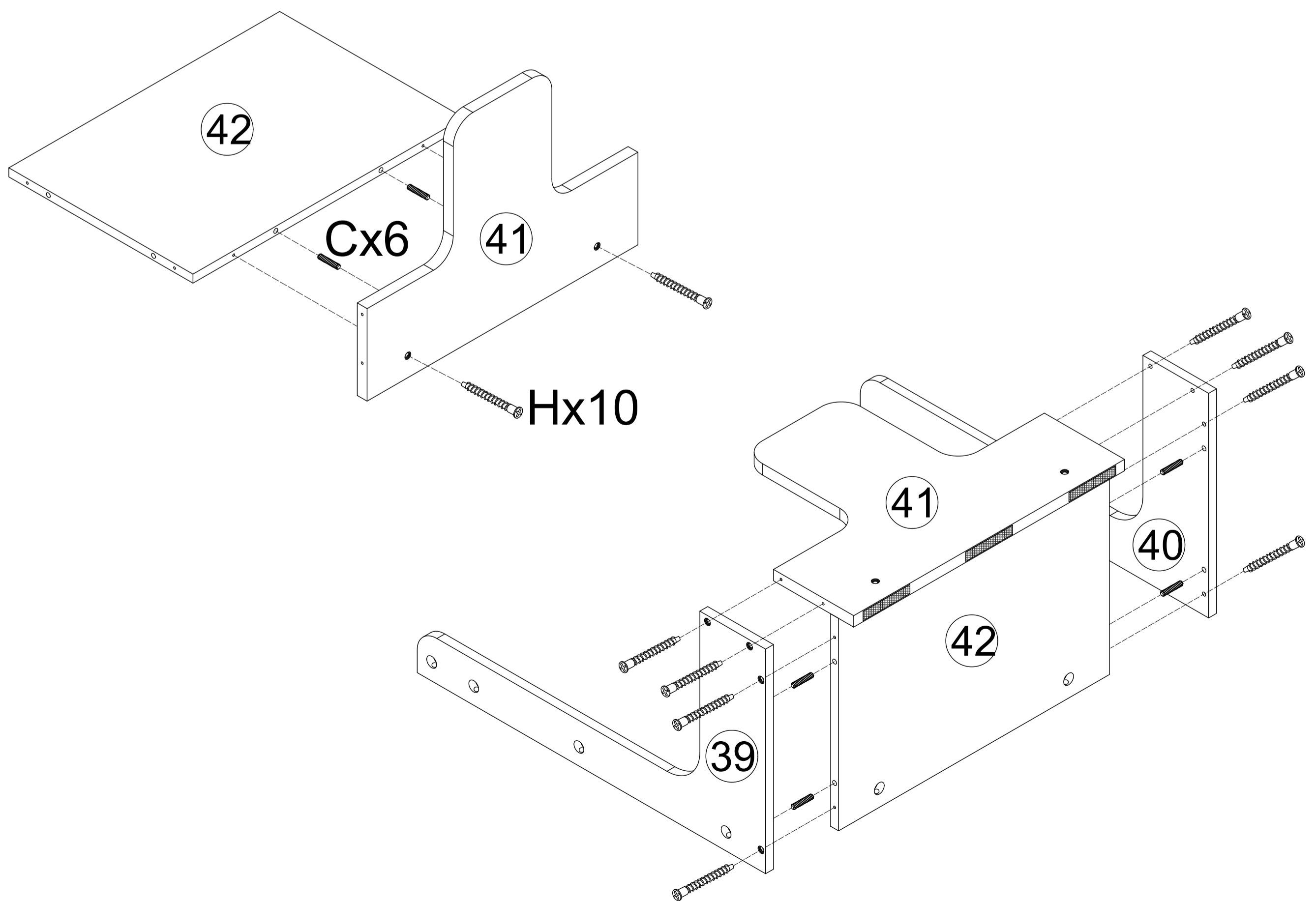
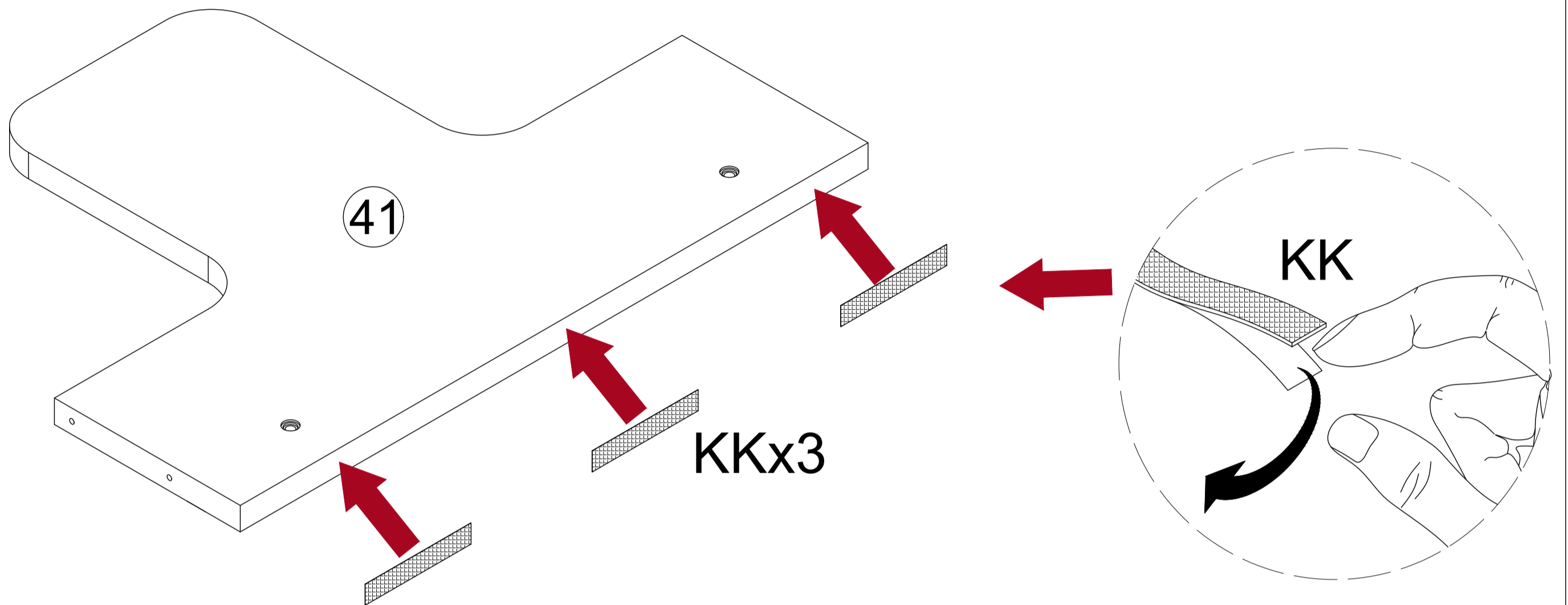
Step 26



Assemble

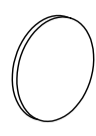

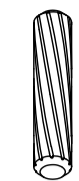
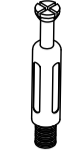
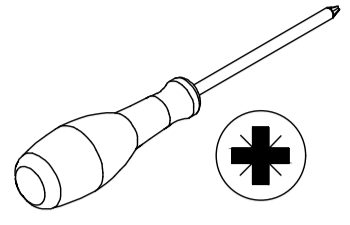
Step 27

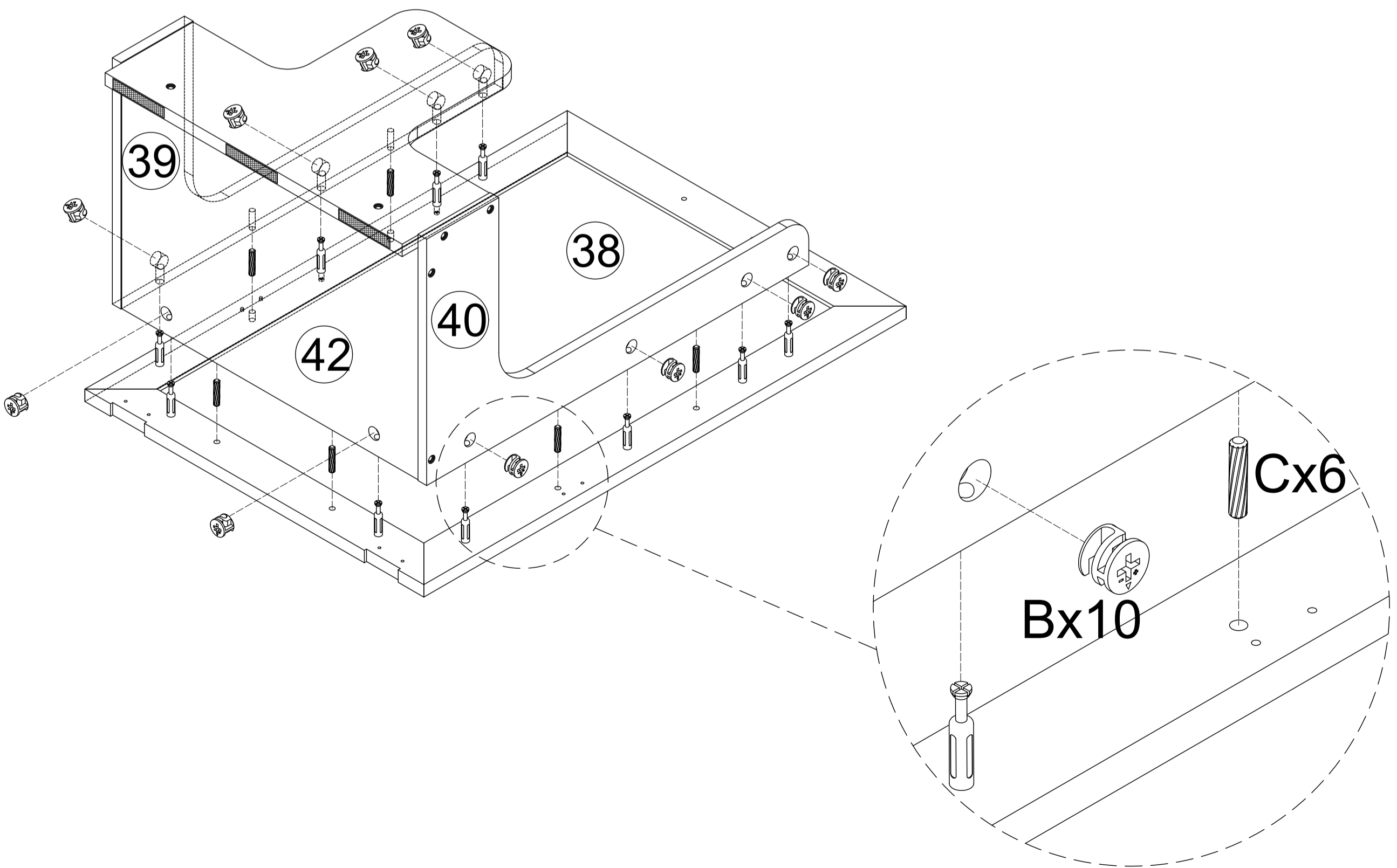
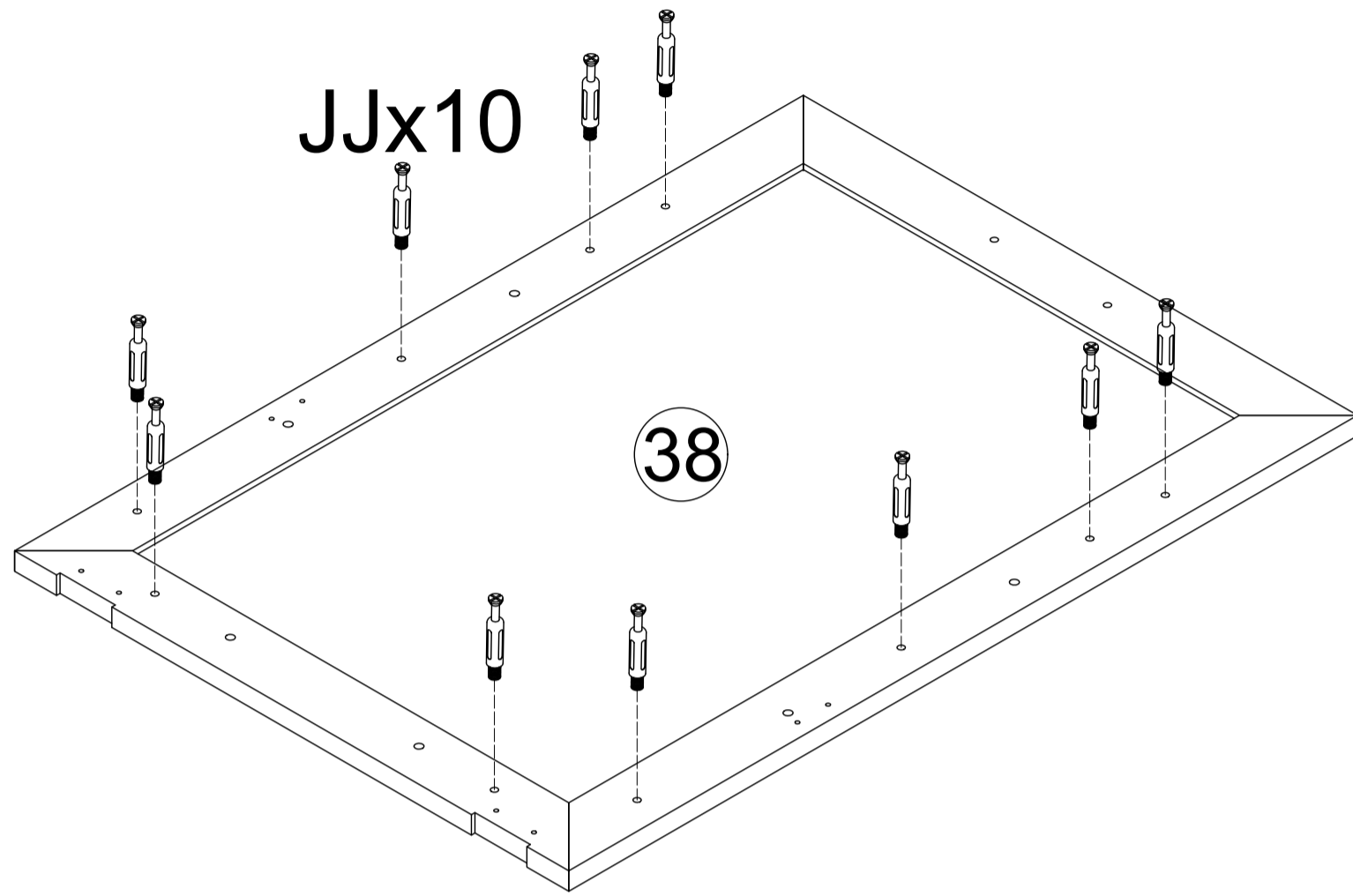
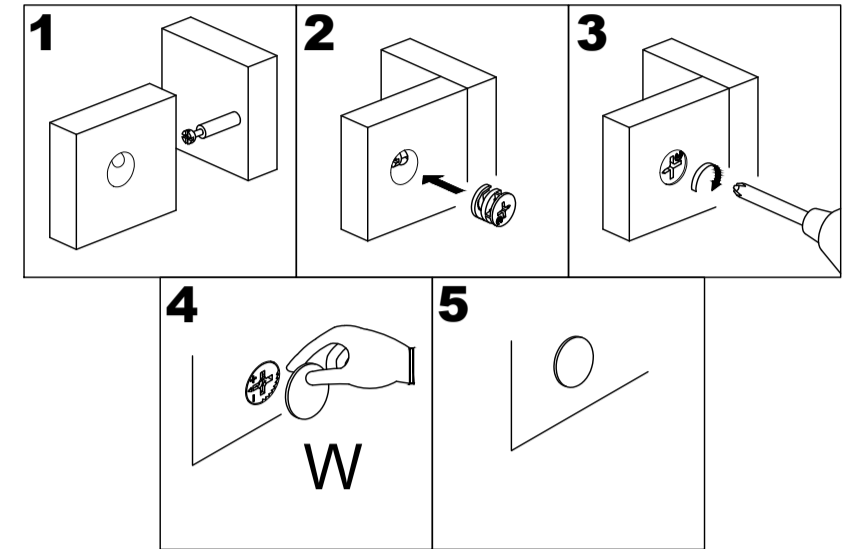
			
KK 3PCS	H 10PCS	C 6PCS	



Assemble

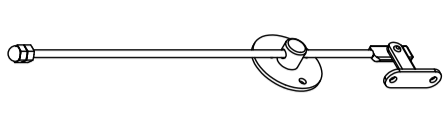
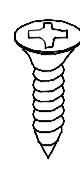
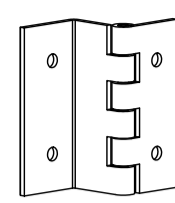
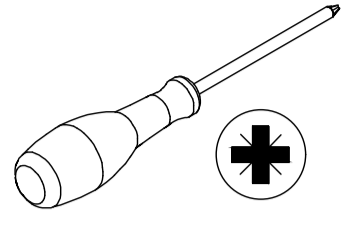
Step 28

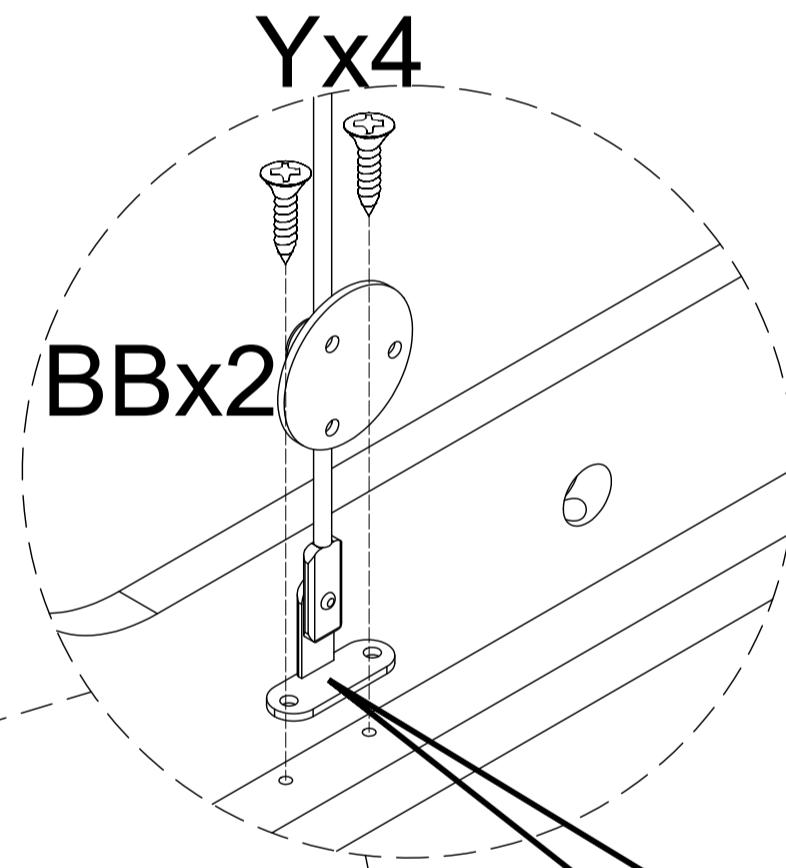
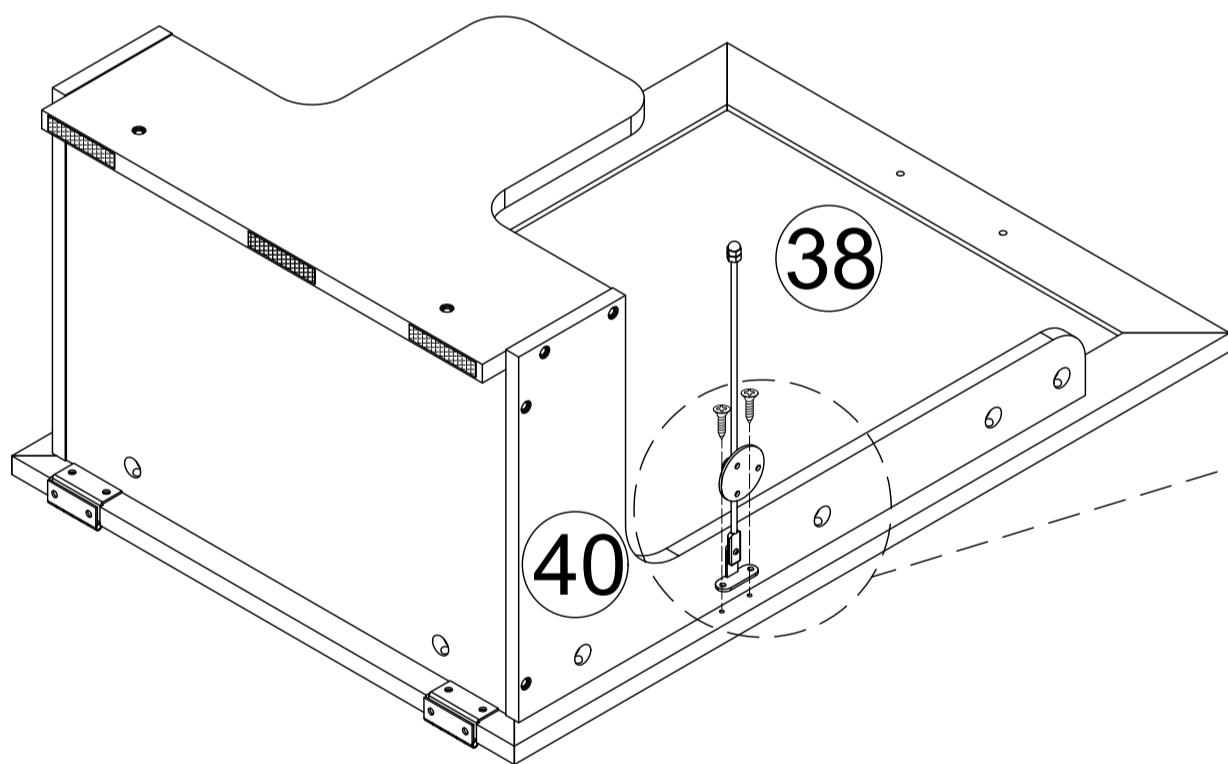
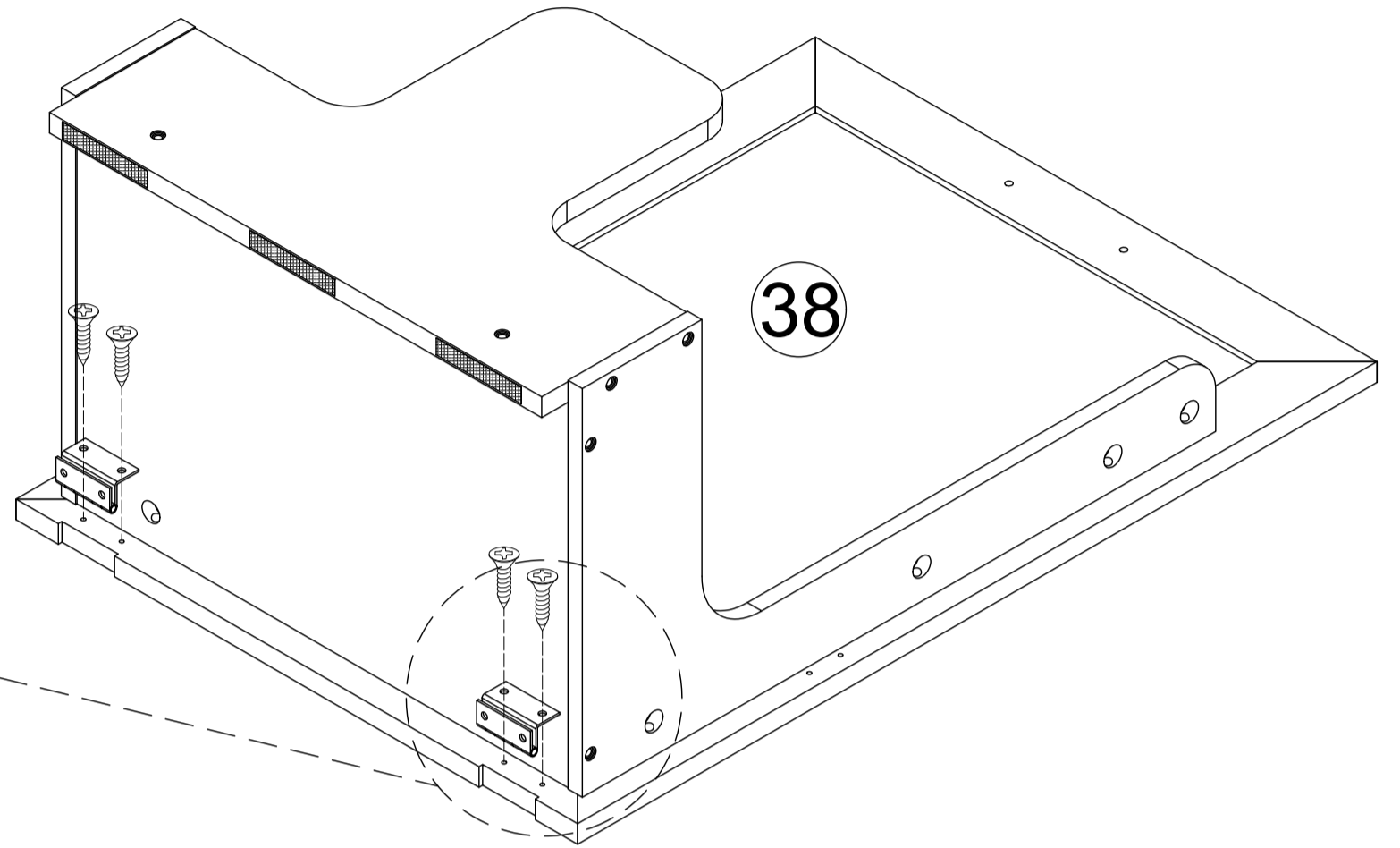
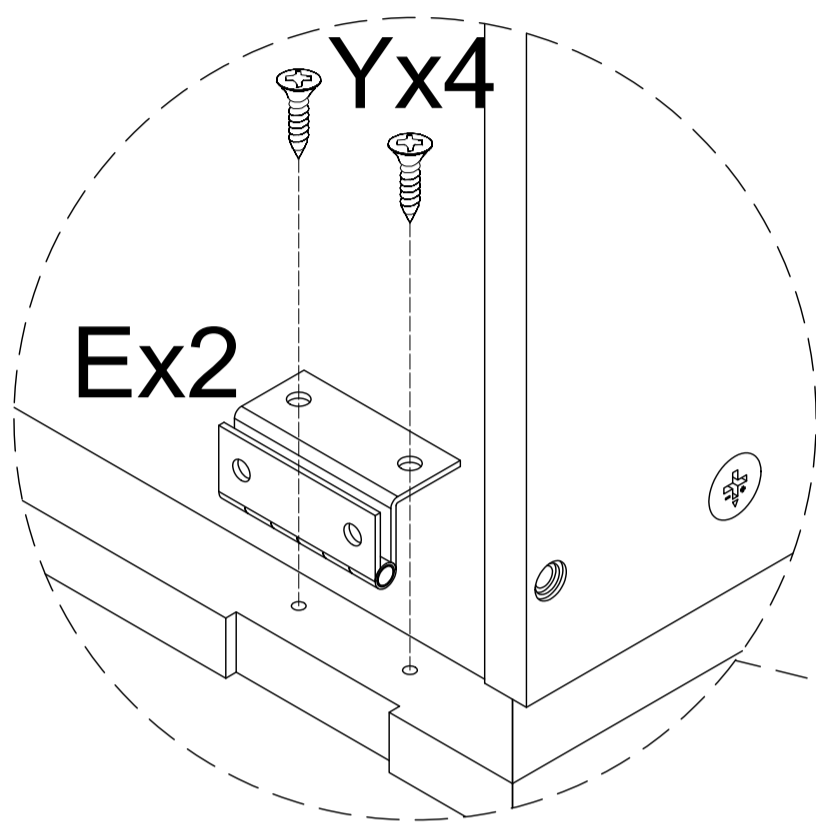
				
W 10PCS	B 10PCS	C 6PCS	JJ 10PCS	



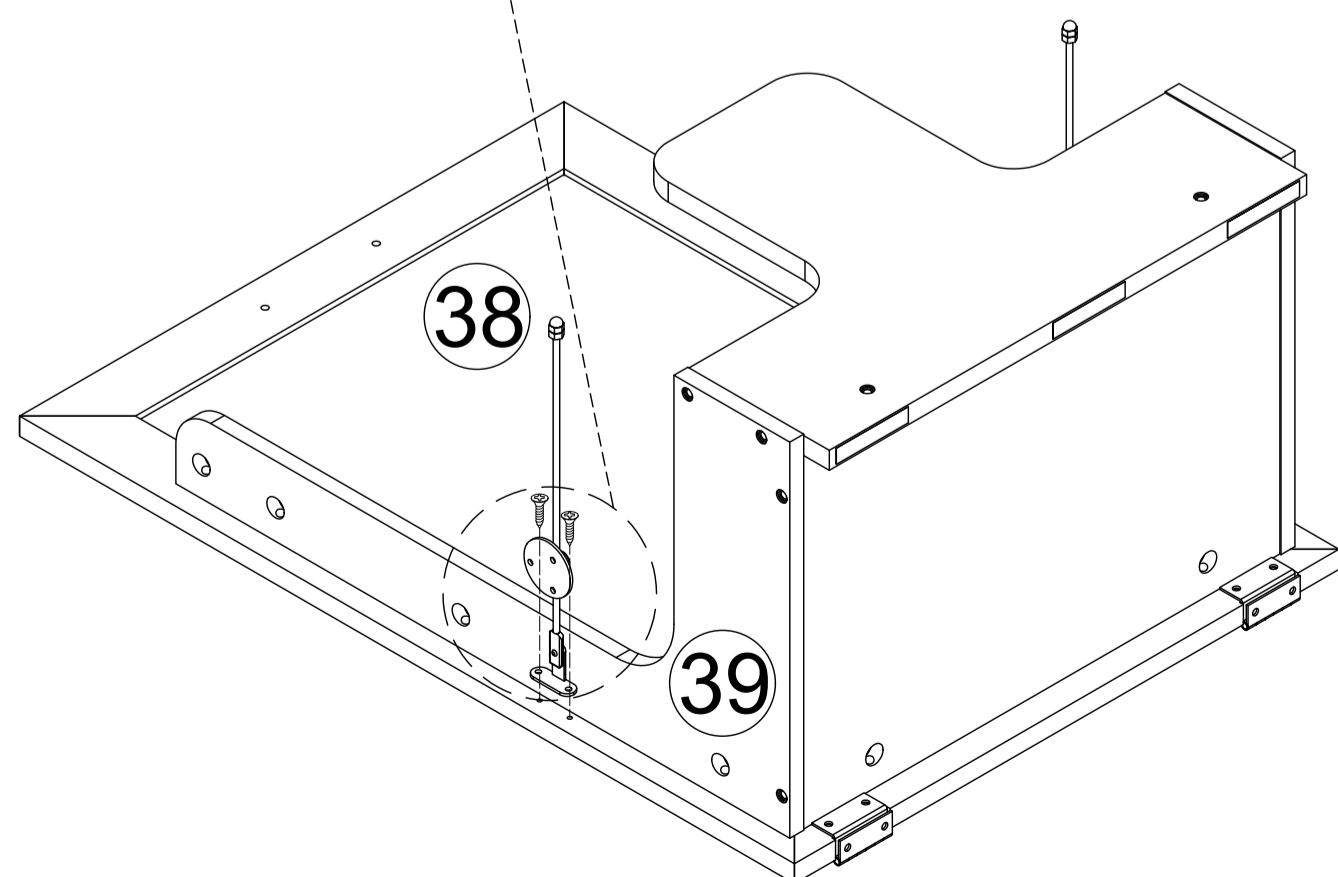
Assemble

Step 29

						
BB	2PCS	Y	8PCS	E	2PCS	

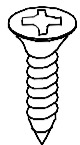


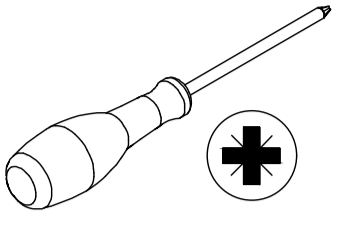


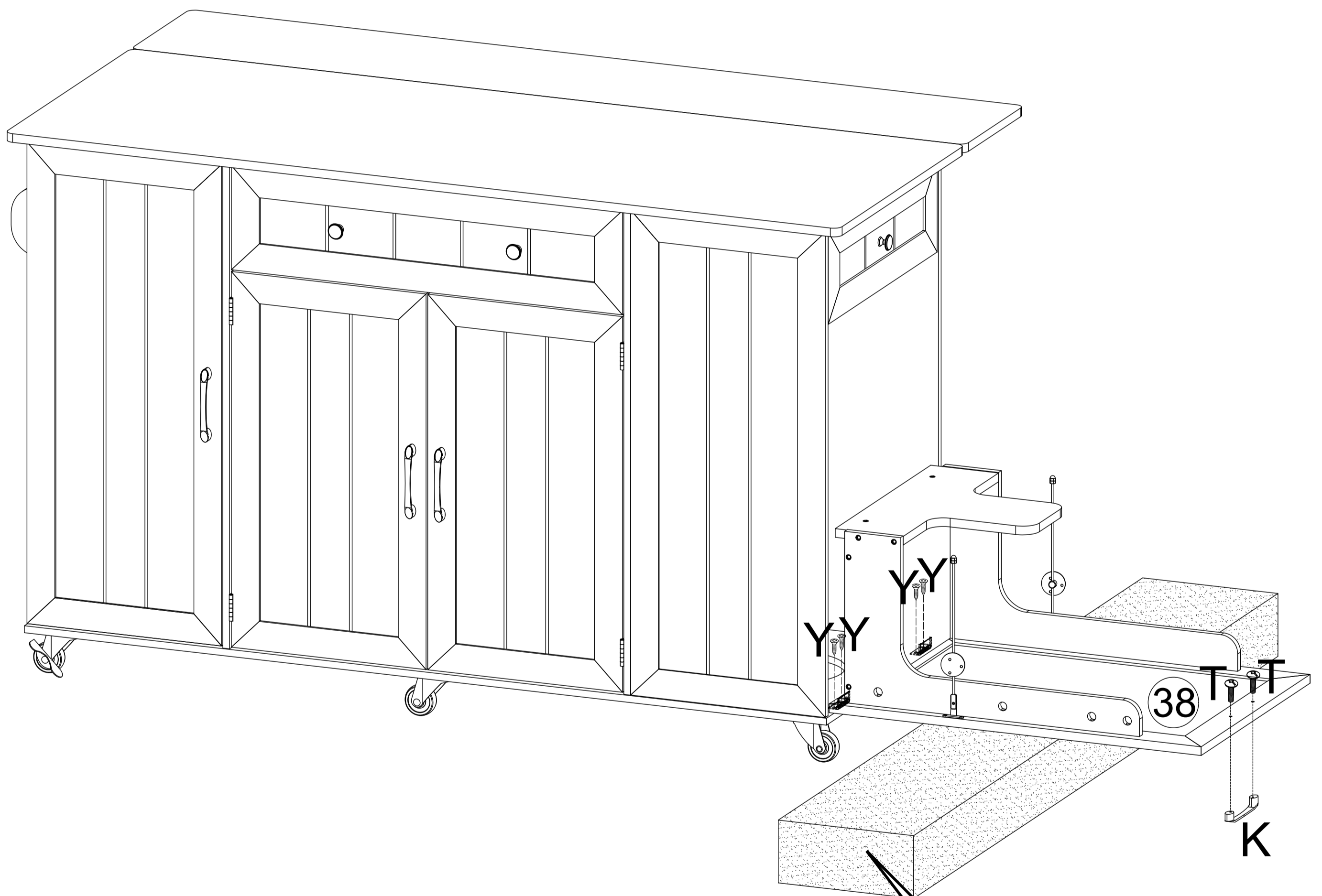
Pay attention to the direction when installing



Assemble

Step 30

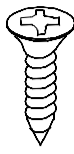
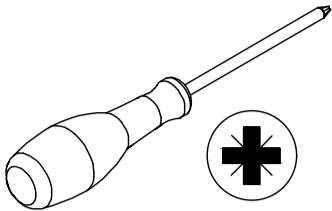
							
Y	4PCS	K	1PCS	T	2PCS		



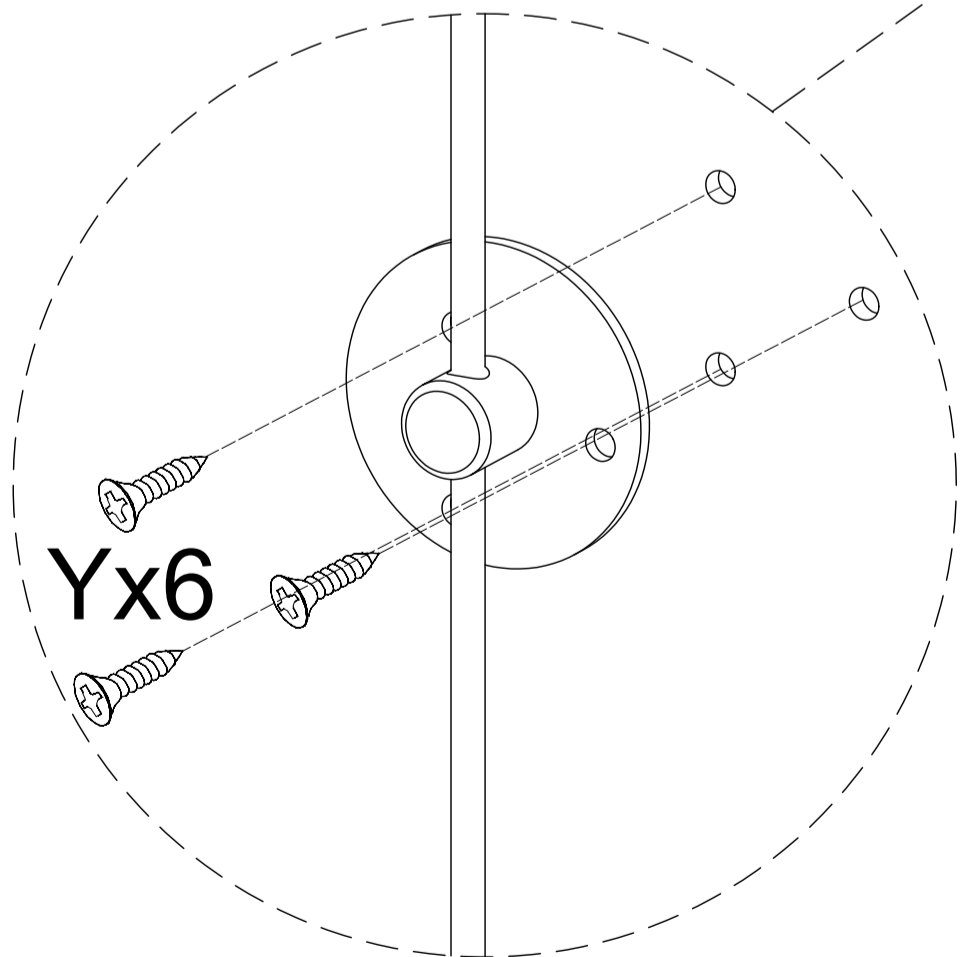
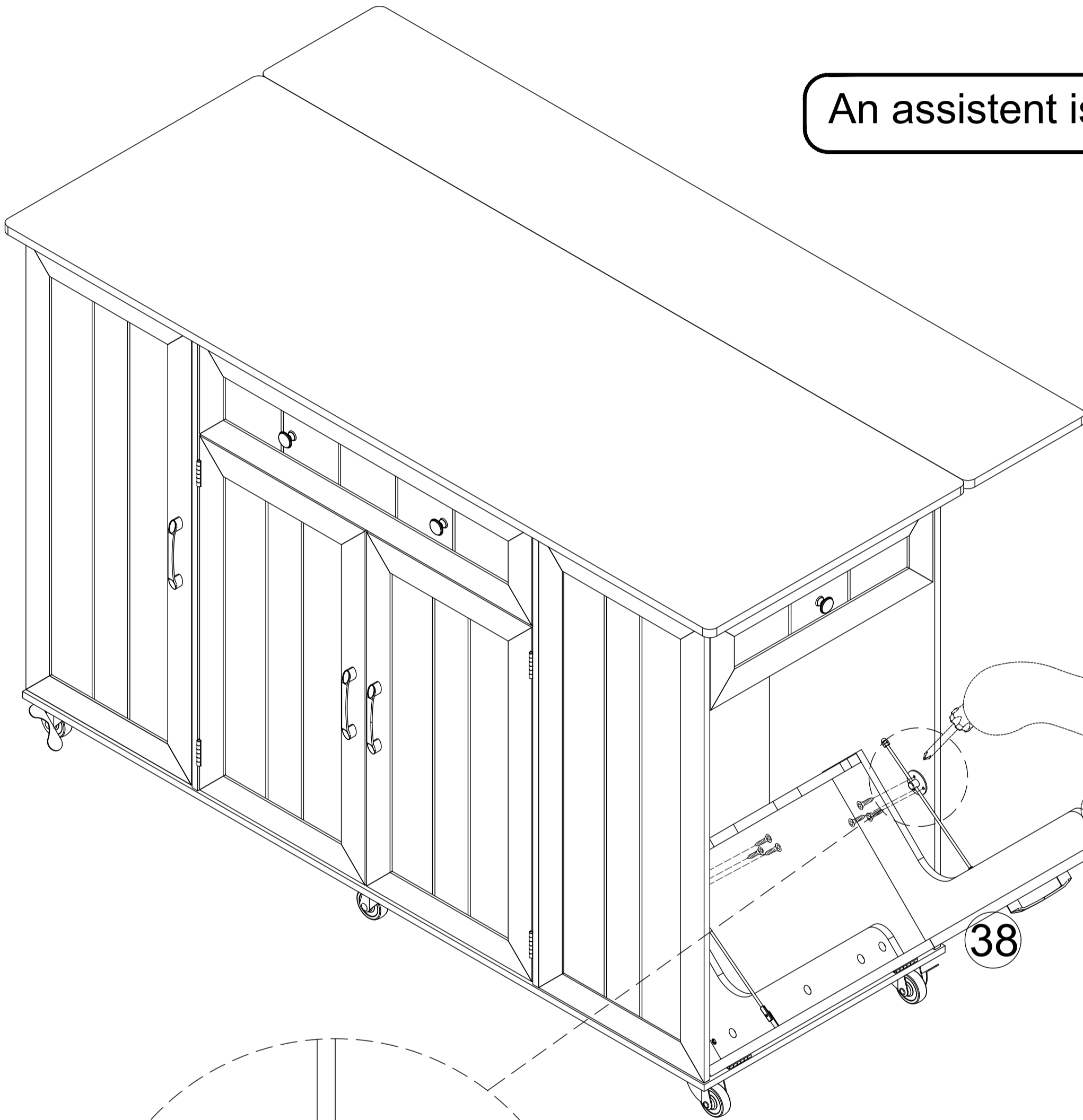
install the auxiliary board

Assemble

Step 31

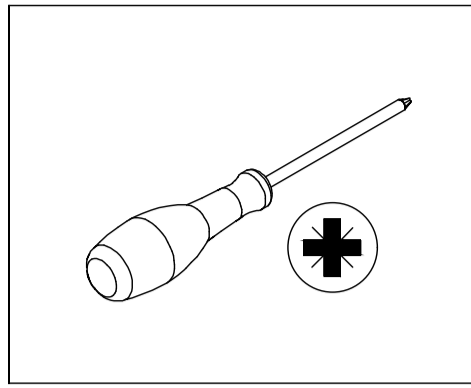
		
Y	6PCS	

An assistant is required.

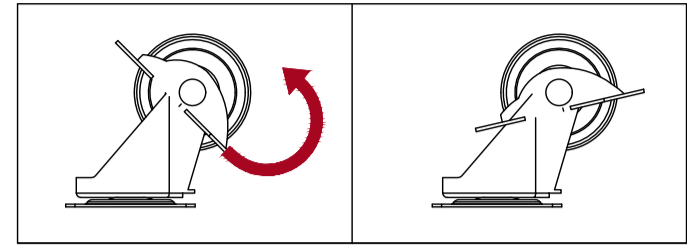


Assemble

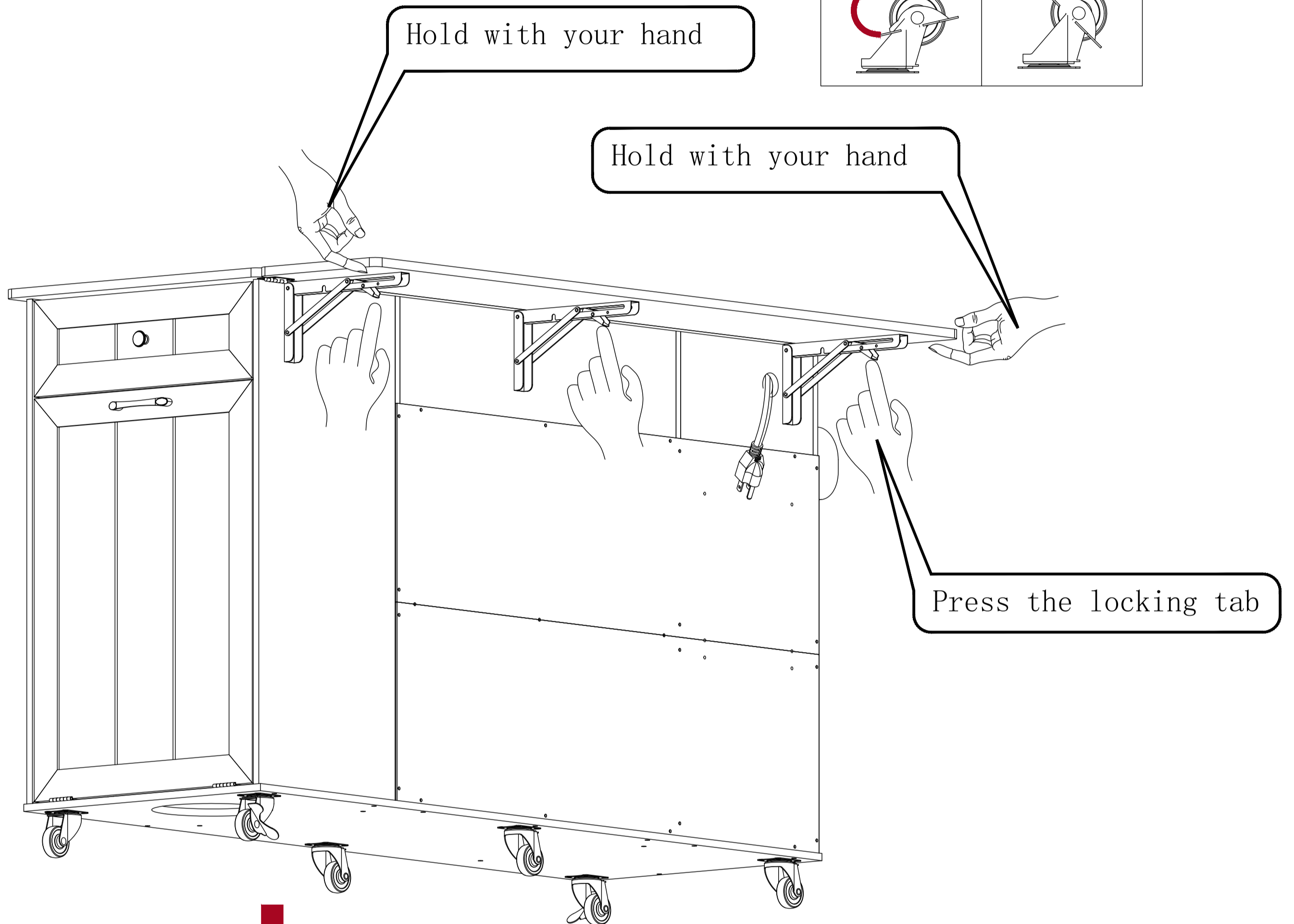
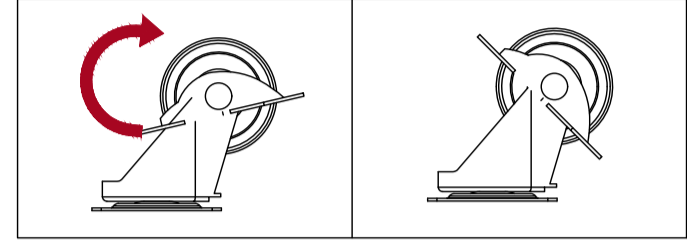
Step 32



 When not moving the cart, be sure to engage the brake first.



 Before moving the cart, make sure to release the brake first.



Hold with your hand(s) and lower slowly

