



## ASSEMBLY INSTRUCTIONS

UltraHD® Wall Cabinet with Open Shelf  
(Model No. 20230, 20140, 20150, 20130)

Granite Graphite Red White

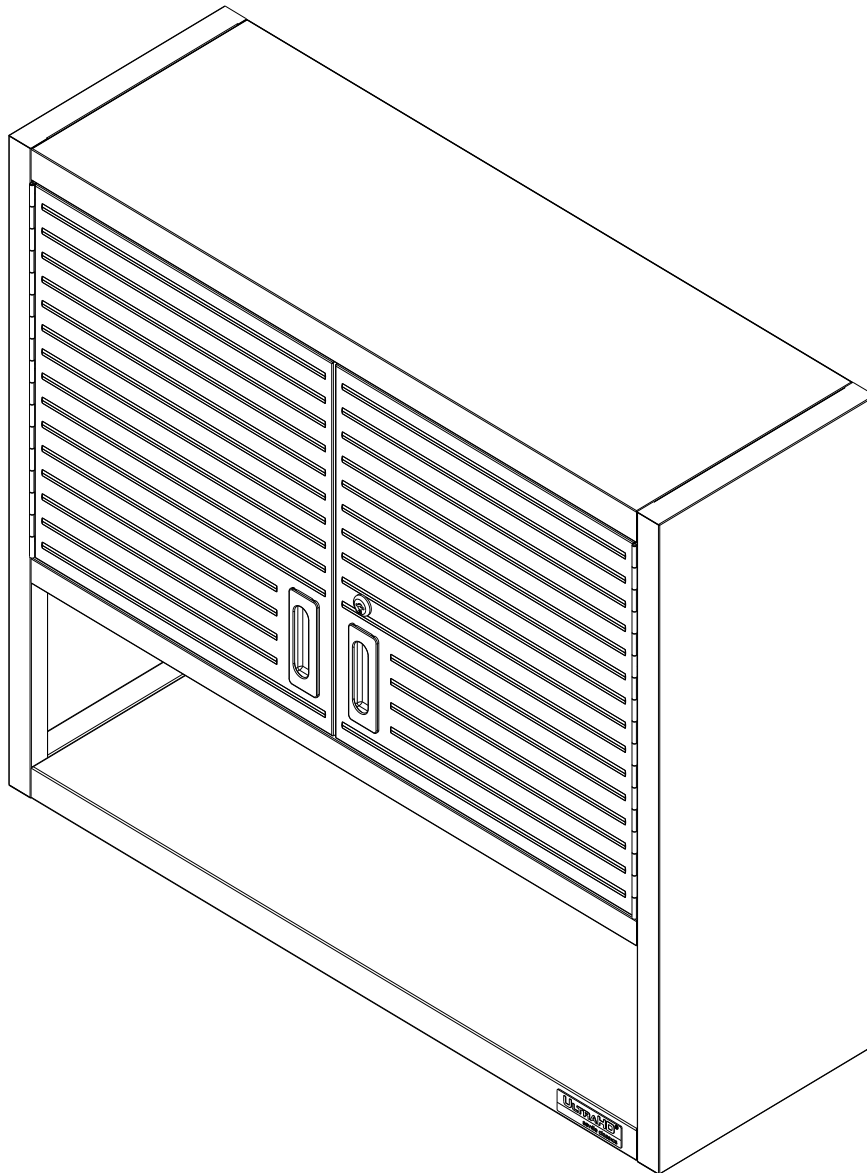
36 in. W X 12 in. D X 30 in. H

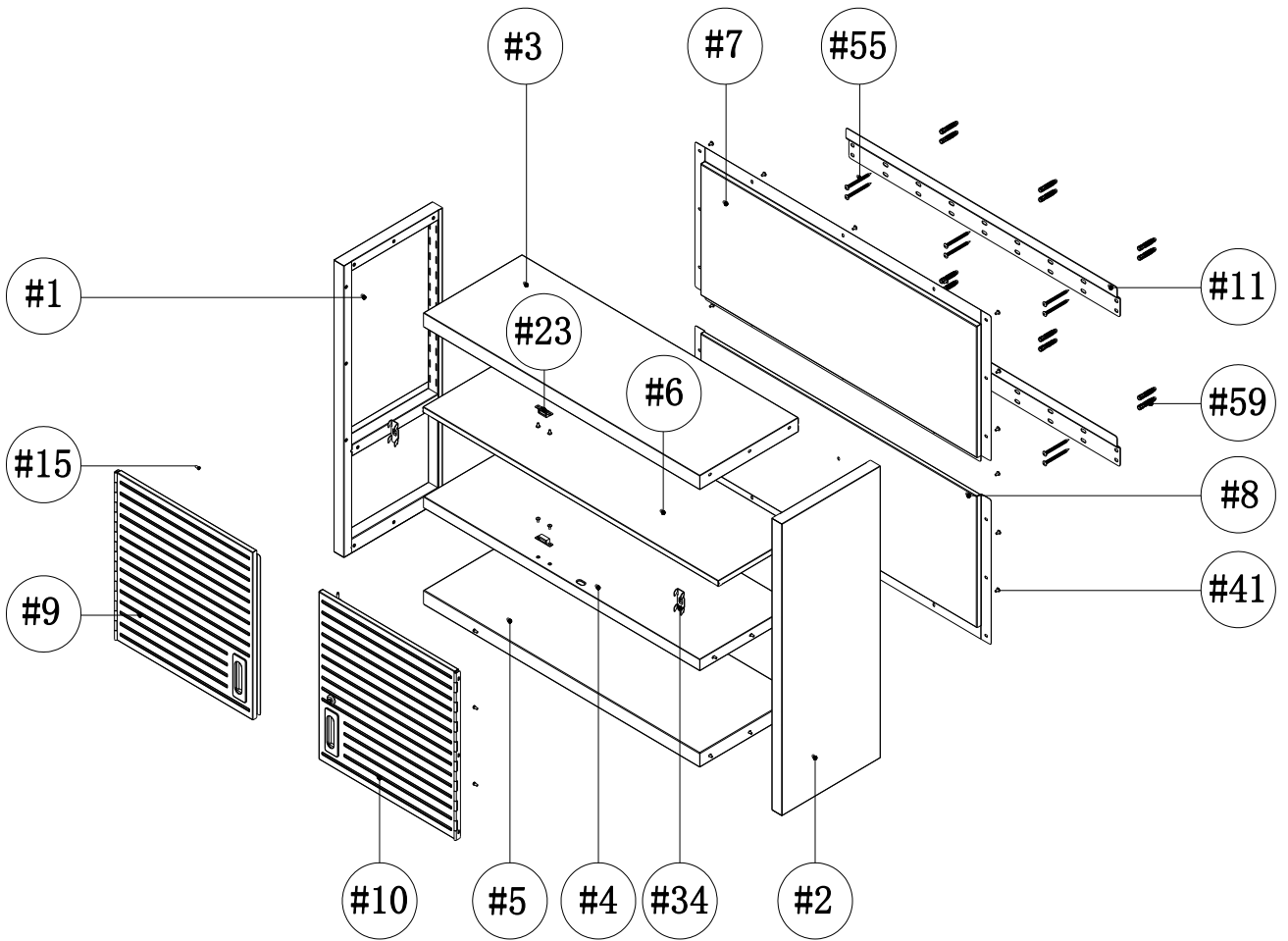
(91.44 cm W X 30.48 cm D X 76.2 cm H)

**ULTRAGUARD®**

FINGERPRINT RESISTANT SURFACES  
AND INCREASED DURABILITY

Reference page 10 for special care and  
maintenance of stainless steel

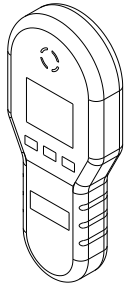




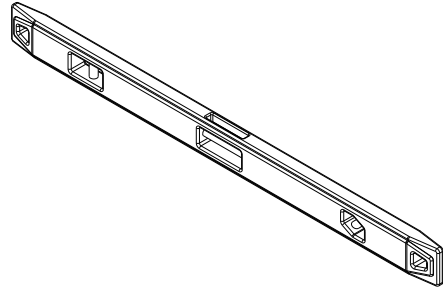
# PARTS LIST

Please check the parts carefully according to the parts list. If you are missing any parts, please contact our service department. (Please refer to page 11).

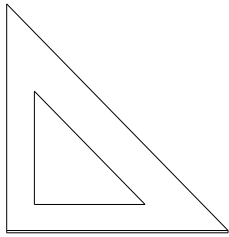
## RECOMMENDED TOOL LIST



**STUD FINDER**

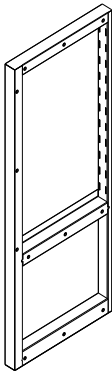


**LEVEL**

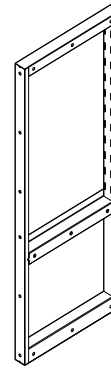


**TRIANGULAR SQUARE**

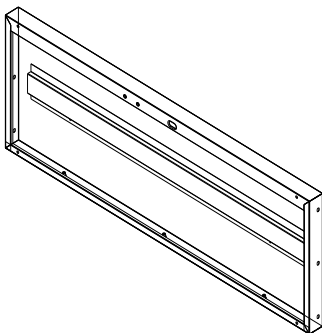
## PART LIST



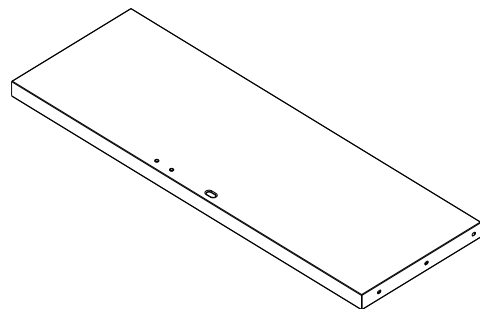
**(#1) LEFT PANEL x 1 PC**



**(#2) RIGHT PANEL x 1 PC**



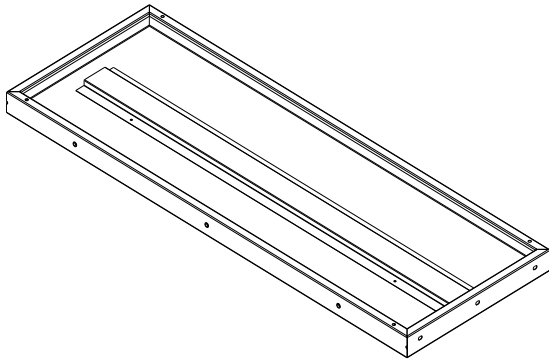
**(#3) TOP PANEL x 1 PC**



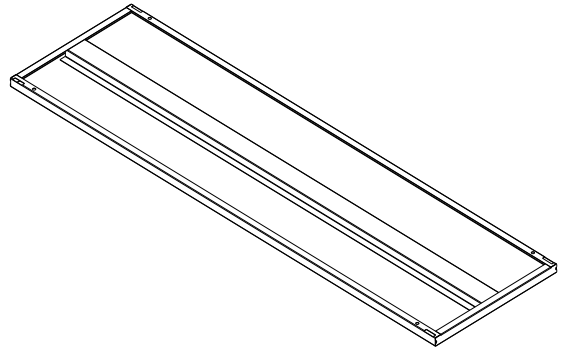
**(#4) MIDDLE LAYER PANEL x 1 PC**

# PARTS LIST

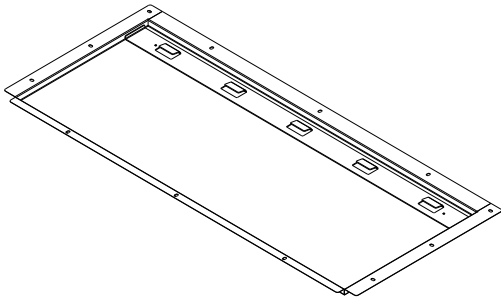
Please check the parts carefully according to the parts list. If you are missing any parts, please contact our service department. (Please refer to page 11).



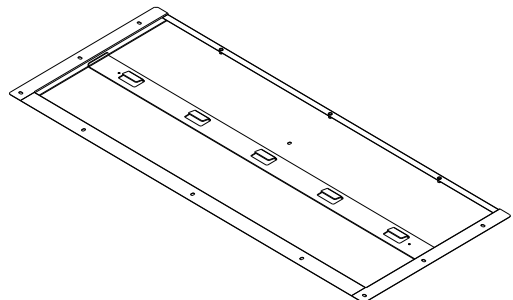
**(#5) BOTTOM PANEL x 1 PC**



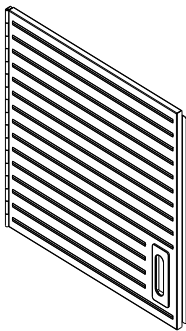
**(#6) MIDDLE SHELF x 1 PC**



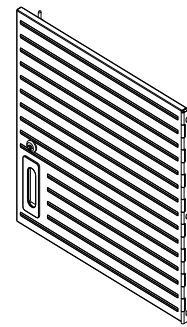
**(#7) UPPER BACK PANEL x 1 PC**



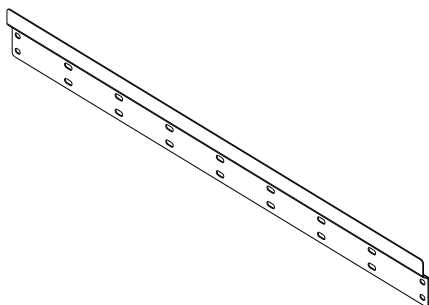
**(#8) BOTTOM BACK PANEL x 1 PC**



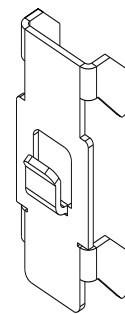
**(#9) LEFT DOOR x 1 PC**



**(#10) RIGHT DOOR x 1 PC**



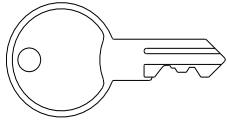
**(#11) WALL-HANGING BRACKET x 2 PCS**



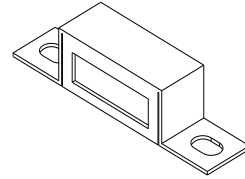
**#34 HOOK x 4 PCS**

# PARTS LIST

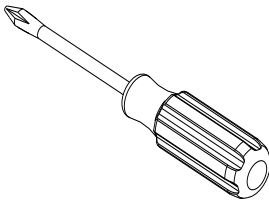
Please check the parts carefully according to the parts list. If you are missing any parts, please contact our service department. (Please refer to page 11).



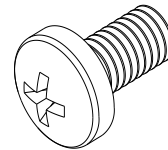
**(#22) KEY x 2 PCS**



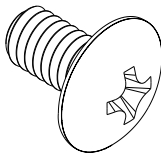
**(#23) MAGNET x 2 PCS**



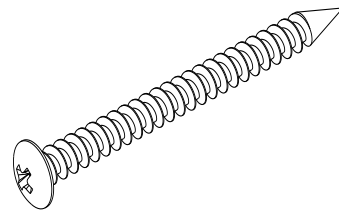
**(#21) SCREW DRIVER x 1 PC**



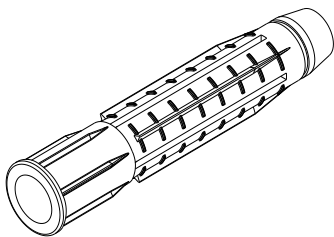
**(#15) SCREW B (M4 x 8L) x 6 PCS**



**(#41) SCREW F (M4 x 8L) x 44 PCS**



**(#55) SCREW M (M6 x 50L) x 12 PCS**



**(#59) PLASTIC ANCHOR x 12 PCS**

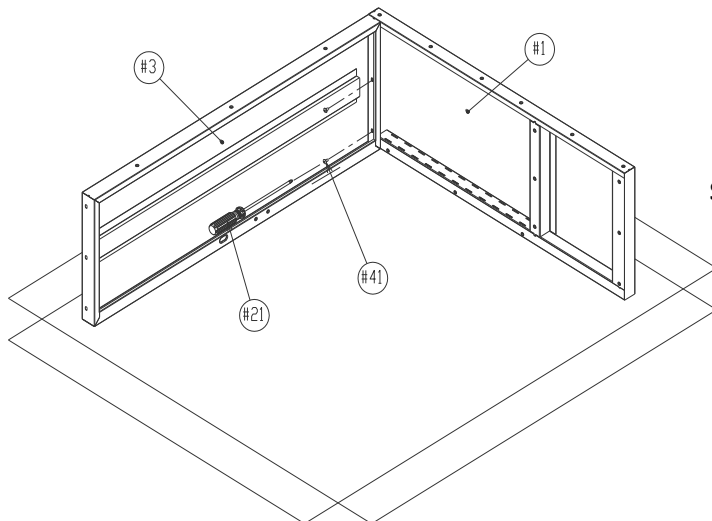
# UltraHD® Wall Cabinet with Open Shelf (Model No. 20230, 20140, 20150)



\*NOTE: We recommend using TWO people to assemble the cabinet.



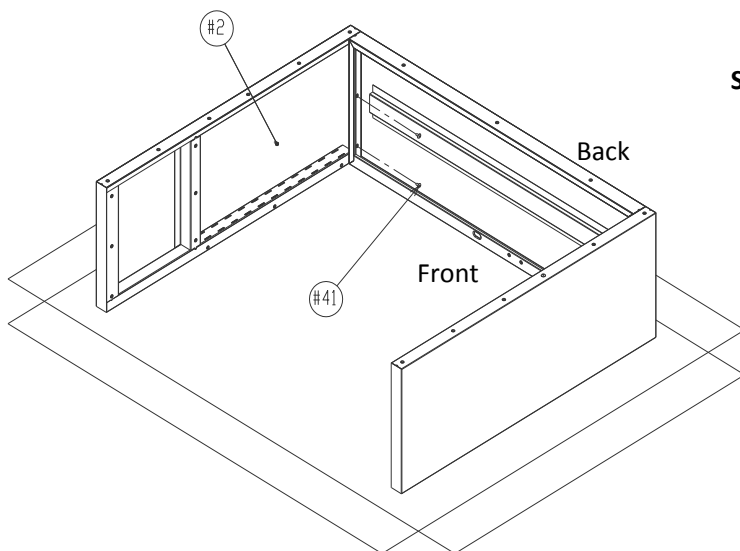
**TIP:** A magnetic screwdriver is included for your convenience. If using a powered screwdriver, keep torque setting on LOW.



**Step 1: Install the Left Panel (#1) onto the Top Panel (#3)**

Attach the Left Panel (#1) to the Top Panel (#3) as the left picture shows. Line up screw holes and tighten them using Screw Driver (#21) and 3 pcs of Screw F (#41).

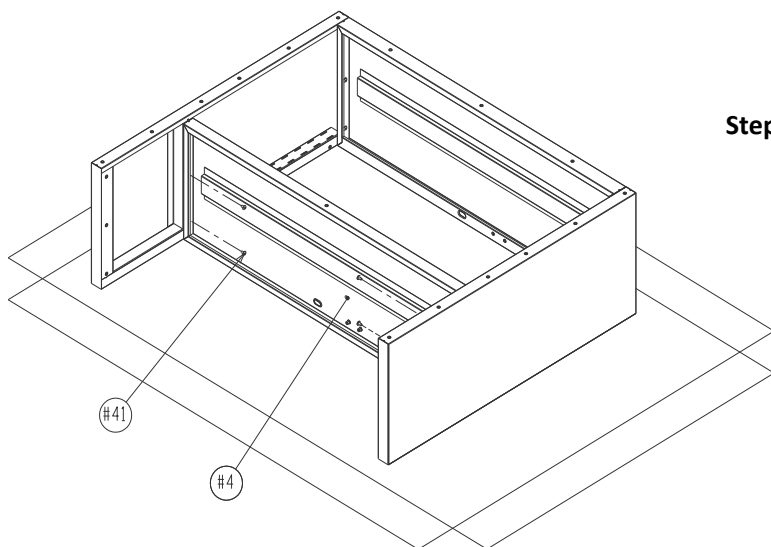
**Note:** The outside edges of the panels should be flush, creating a nice square frame.



**Step 2: Install the Right Panel (#2) onto the Top Panel (#3)**

Attach the Right Panel (#2) to the Top Panel (#3) as the left picture shows. Line up screw holes and tighten them using Screw Driver (#21) and 3 pcs of Screw F (#41).

**Note:** The outside edges of the panels should be flush, creating a nice square frame.



**Step 3: Install the Middle Layer Panel (#4).**

Attach the Middle Layer Shelf (#4) as the left picture shows. Use 6 pcs of Screw F (#41) to fasten the Middle Layer Panel to the Left and Right Panel (#1 and #2).

# UltraHD® Wall Cabinet with Open Shelf (Model No. 20230, 20140, 20150)



\*NOTE: We recommend using TWO people to assemble the cabinet.



Check for SQUARENESS by using a triangular square before attaching Back Panels

## Step 4: Install Bottom Panel (#5).

Attach the Bottom Panel (#5) as the left picture shows. Use 6 pcs of Screw F (#41) to fasten the Bottom Panel (#5) to the Left and Right Panel (#1 and #2).

**Note:** The outside edges of the panels should be flush, creating a nice square frame.

## Step 5: Install the Bottom Back Panel (#8) and Upper Back Panel (#7).

First place the Bottom Back Panel (#8) onto the Left, Right and Bottom Panels (#1, #2 and #5) as the left picture shows. Now place the Upper Back Panel (#7) onto the Left, Right and Top Panels (#1, #2 and #3). Line up screw holes and tighten them using Screw Driver (#21) and 22 pcs of Screw F (#41).

## Step 6: Fasten the Magnet (#23).

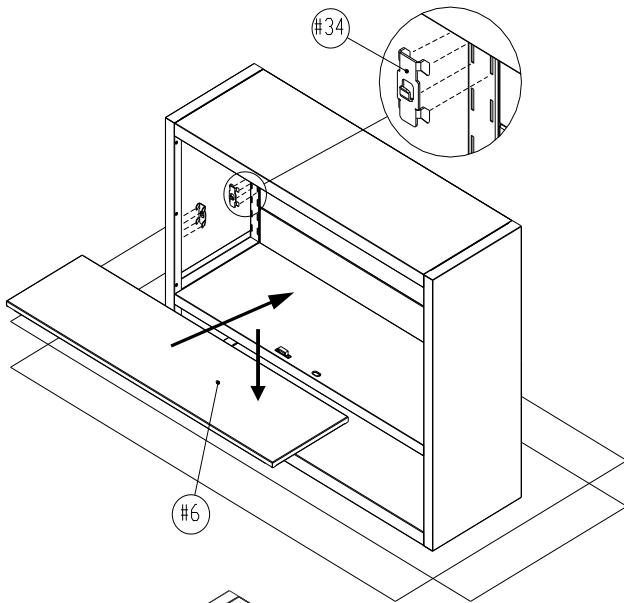
Fasten 2 pcs Magnets (#23) separately to the Top Panel (#3) and Middle Layer Panel (#4) with 4 pcs of Screw F (#41).

**Note:** The side with the pad on the magnet need to face outward.

# UltraHD® Wall Cabinet with Open Shelf (Model No. 20230, 20140, 20150)



\*NOTE: We recommend using TWO people to assemble the cabinet.

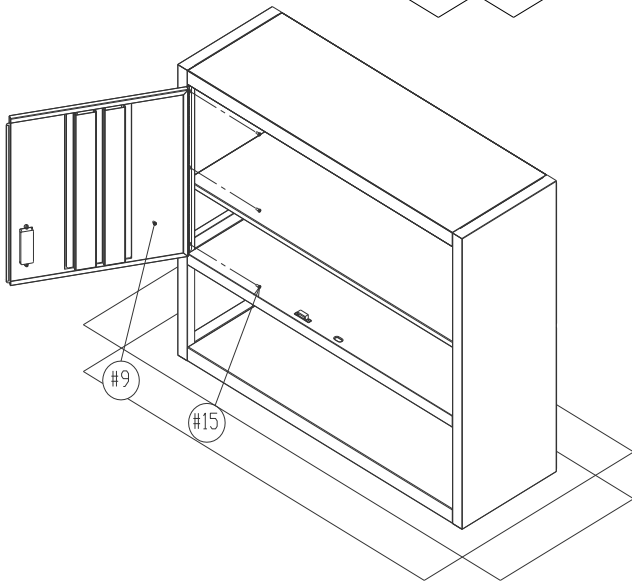


## Step 7: Install the Middle shelf (#6)

**A.** Decide the height for the Middle Shelf (#6), place the Hooks (#34) into the hook slots and push down.

**Note:** The Middle Shelf (#6) needs 4 hooks at each corner for support. When placing the hooks, make sure they are at the same height.

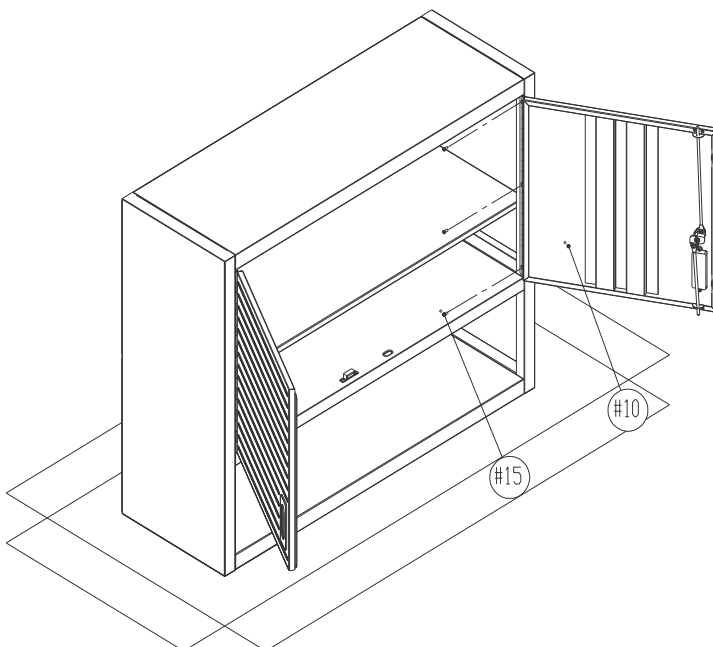
**b.** Place the Middle Shelf (#6) into the cabinet and push down onto the Hooks (#34).



## Step 8: Install the Left Door (#9)

Attach the Left Door (#9) on the Left Panel (#1). Line up screw holes and tighten them using Screw Driver (#21) and 3 pcs of Screw B (#15).

**Note:** The oval screw holes on the door hinge allow for adjustment of the Door Panel.



## Step 9: Install the Right Door (#10)

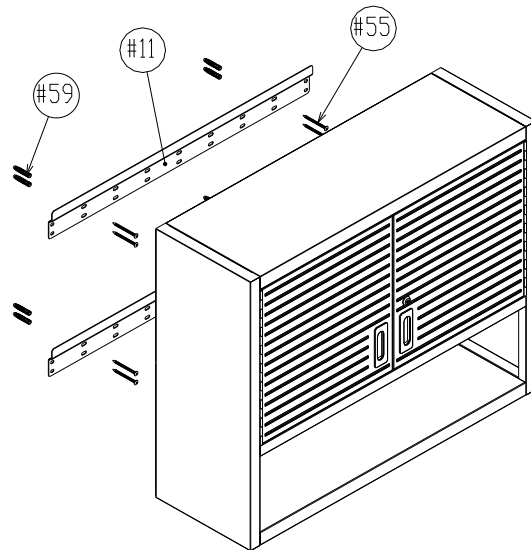
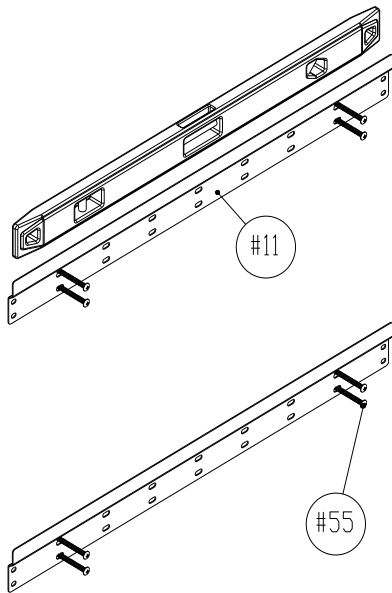
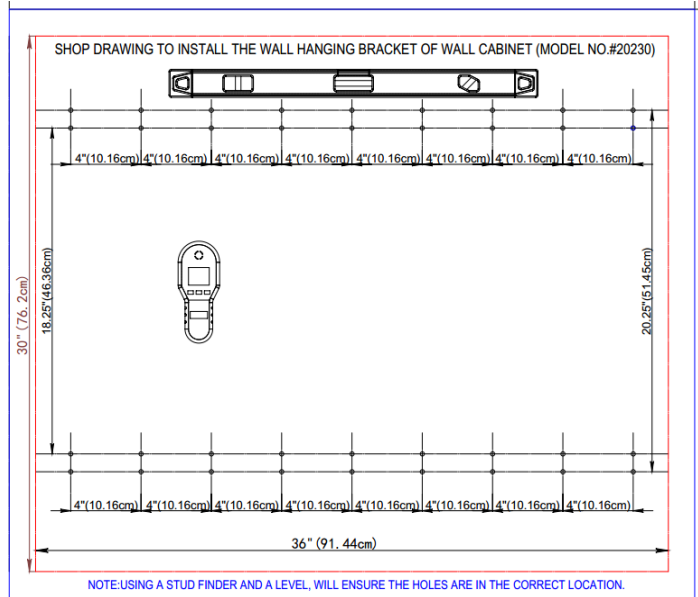
Attach the Right Door (#10) on the Right Panel (#2). Line up screw holes and tighten them using Screw Driver (#21) and 3 pcs of Screw B (#15).

**Note:** The oval screw holes on the door hinge allow for adjustment of the Door Panel.

# UltraHD® Wall Cabinet with Open Shelf (Model No. 20230, 20140, 20150)

 \*NOTE: We recommend using TWO people to assemble the cabinet. 

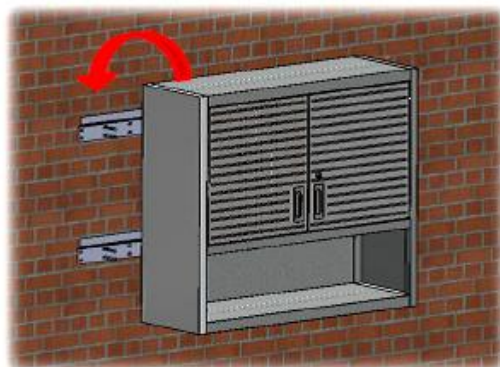
To find the screw holes to fasten the Wall-Hanging Brackets, please refer to the accompanying shop drawing. Place the shop drawing on the wall and align the holes in the drawing.



\*Drill a small hole (1/8" diameter) at stud locations to assure that the hanging anchor is secured.  
Note: Use a stud finder and a level to ensure that holes are in the correct location.

Put 12 pcs green Plastic Anchor (#59) into the hole. Use 12 pcs of Screw M (#55) to fasten Wall-Hanging Brackets (#11). Hang the unit on the Wall-Hanging Brackets (#11).

### Hang Wall Cabinet Wall-Hanging Brackets

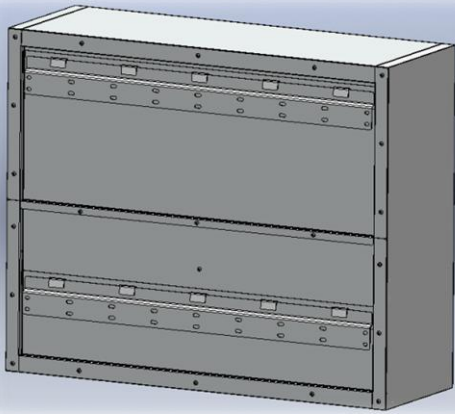


The wall cabinet can also be mounted on a brick, masonry, or basement block wall using the correct concrete wall anchors, and screw set. Each wall anchor must support up to 25 lbs loading capacity.

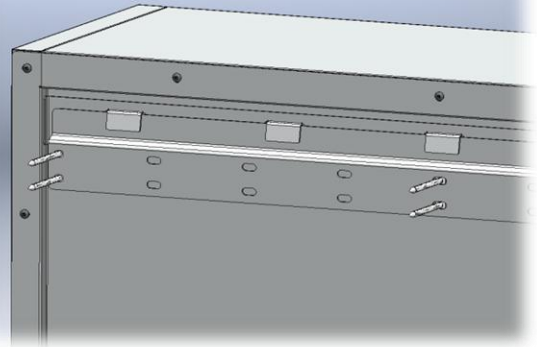
# UltraHD® Wall Cabinet with Open Shelf (Model No. 20230, 20140, 20150)



\*NOTE: We recommend using TWO people to assemble the cabinet.



Back Panel View of Wall Cabinet shows 6 flat hooks that allow the Cabinet to hang on two Wall hanging Brackets.

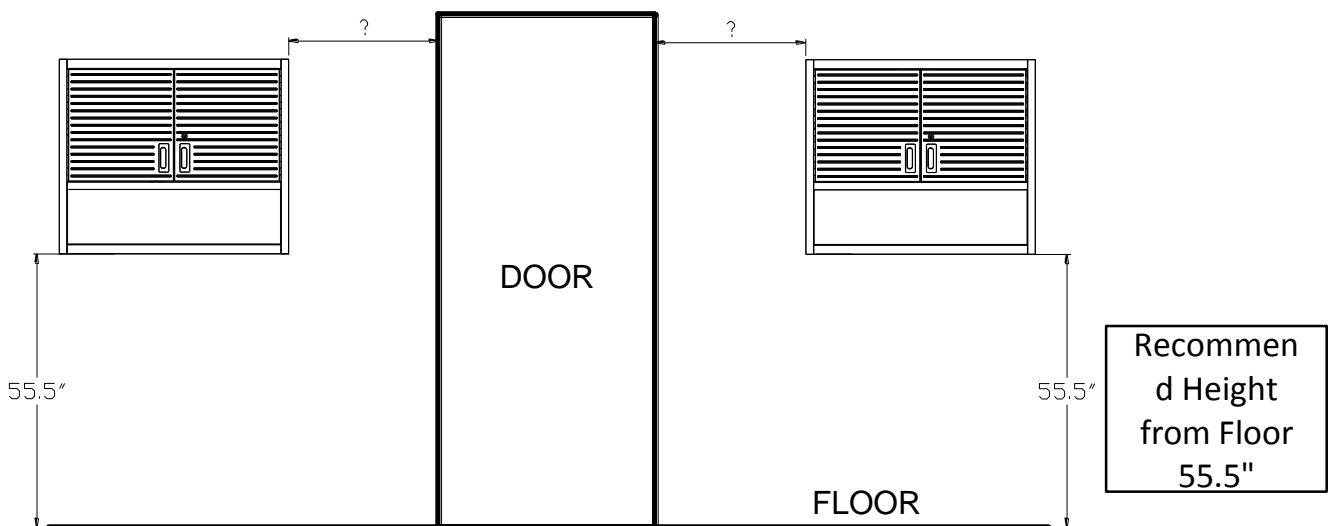


Close-up view of how the Wall-Hanging Brackets fit with the 6 flat hooks on the back of the cabinet.

## Installation Guide for the WALL HANGING BRACKET for UltraHD® Wall Cabinet with Open Shelf (Model No. 20230, 20140, 20150)

A. Decide where to hang the Wall Cabinet.

**Note:** We recommend that the cabinet be hung such that the bottom of the cabinet rests approx. 55.5" above the floor.



B. Start from one side of desired location to find the 1st stud location for installing the Wall-Hanging Brackets (#11). Use a stud finder and a level to locate the stud. Use a pencil to mark the CENTER of the stud.

C. Locate the 2nd stud 16" from either side of the 1st stud location.

**Note:** The distance between two studs is normally 16" (center to center). The average stud width is about 1.5" wide.

## UltraHD® Wall Cabinet with Open Shelf (Model No. 20230, 20140, 20150)



\*NOTE: We recommend using TWO people to assemble the cabinet.



### UltraHD® Stainless Steel Care Instructions

The stainless-steel parts of this product are protected with an UltraGuard® fingerprint resistant finish.

**DO NOT** use traditional stainless-steel cleaners. To safely manage unwanted fingerprints and prevent new stains, perform the following steps once monthly:

- Lightly wipe with warm water and clean microfiber cloth
- Always wipe in the direction of the surface grain (NEVER ACROSS)
- Wipe away excess water with dry clean cloth

## CONTACT INFORMATION

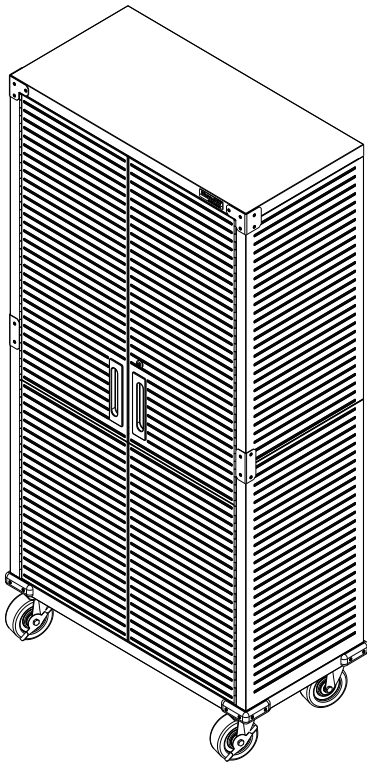
If you are missing any parts, have any questions, or need additional assistance in assembly, please contact our bilingual (English and Spanish) customer service department at:



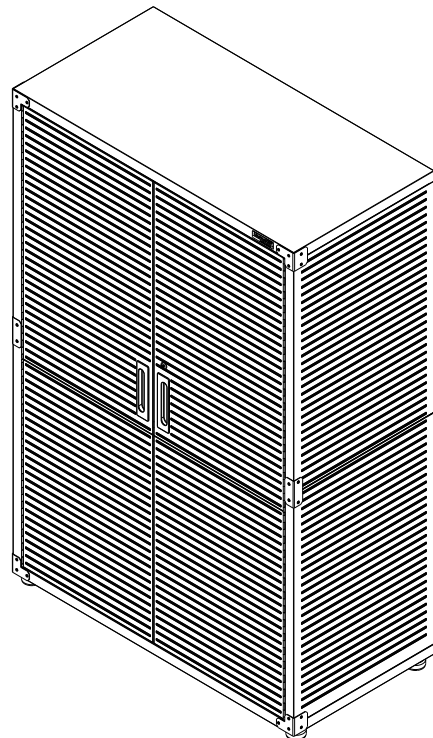
Seville Classics, Inc.  
19401 Harborage Way Torrance, CA 90501 USA  
Telephone: (800) 323-5565 within USA  
Fax: (310) 533-3899  
Hours: 9:00am - 4:30pm (Pacific Standard Time)  
E-mail: [support@sevilleclassics.com](mailto:support@sevilleclassics.com)  
Website & Online Store: [www.sevilleclassics.com](http://www.sevilleclassics.com)

**\*\*\*Please visit our website or call and inquire about our additional UltraHD Line\*\*\***

## UltraHD® Line

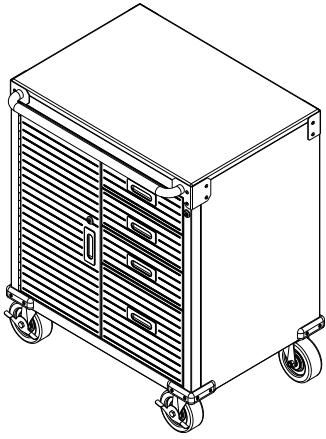


**UltraHD® Tall Storage Cabinet**  
Model No. 16236 (Granite)  
Model No. 20143 (Graphite)  
Model No. 20153 (Red)  
Model No. 20133 (White)

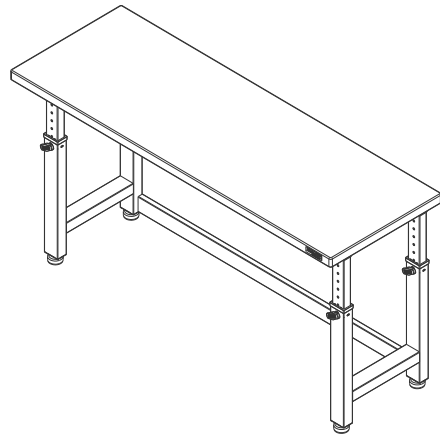


**UltraHD® Mega Storage Cabinet**  
Model No. 16238 (Granite)  
Model No. 20148 (Graphite)  
Model No. 20158 (Red)

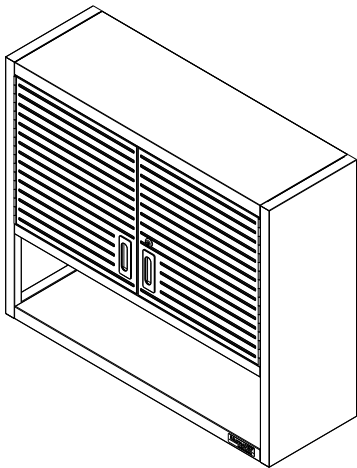
# UltraHD® Line



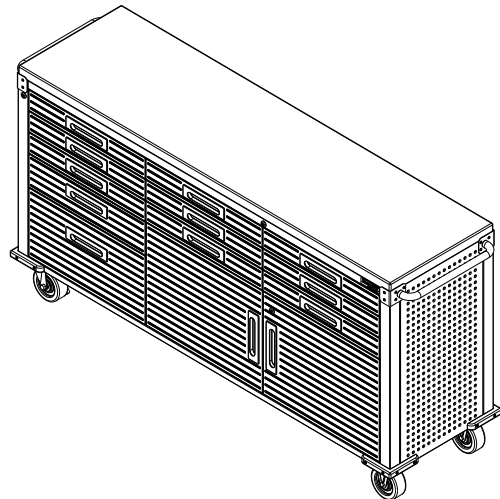
**UltraHD® 4-Drawer Rolling Cabinet**  
Model No. 20205 (Granite)



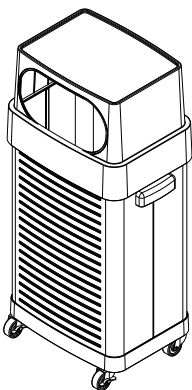
**UltraHD® 6-Foot Height Adjustable Workbench**  
Model No. 20292 (Granite)  
Model No. 20293 (Graphite)



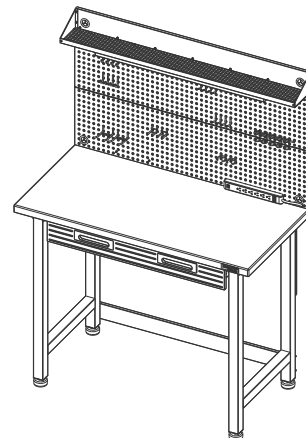
**UltraHD® Wall Cabinet with Open Shelf**  
Model No. 20230 (Granite)  
Model No. 20140 (Graphite)  
Model No. 20150 (Red)



**UltraHD® 2-Door Rolling Workbench**  
Model No. 20262 (Granite)  
Model No. 20142 (Graphite)  
Model No. 20152 (Red)



**UltraHD® Rolling Trash Bin**  
Model No. 20215



**UltraHD® Lighted Workcenter**  
Model No. 20247 (Granite)  
Model No. 20246 (Graphite)  
Model No. 20157 (Red)