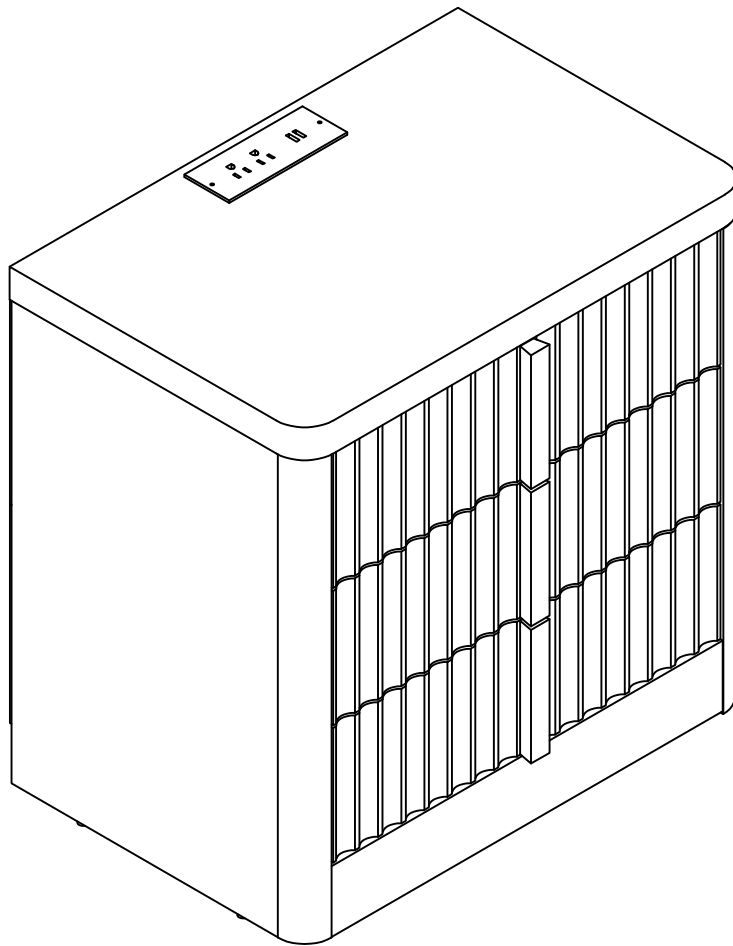
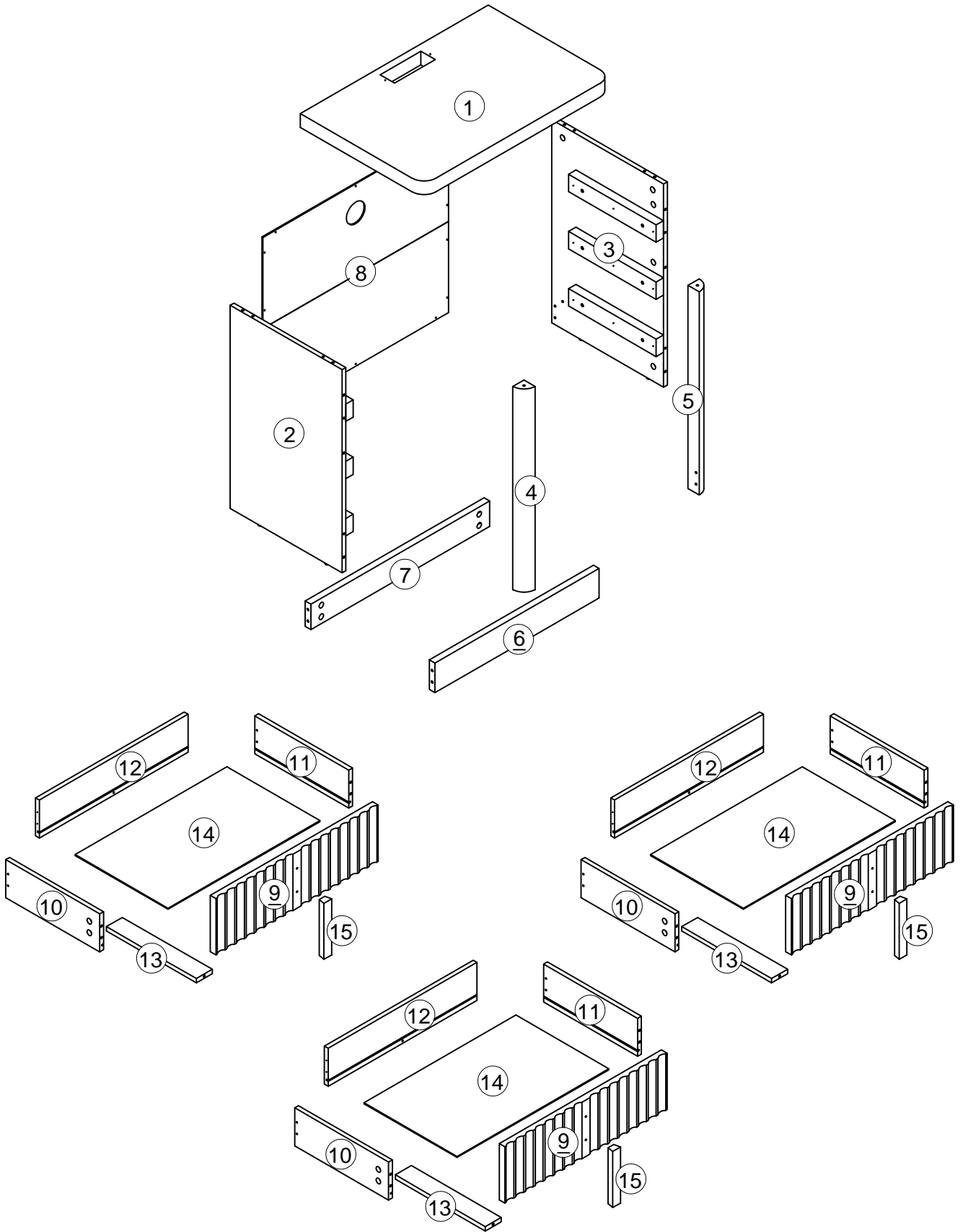


ASSEMBLY INSTRUCTIONS



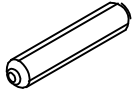

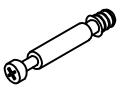
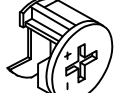
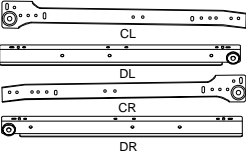
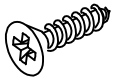
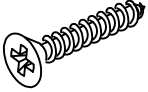


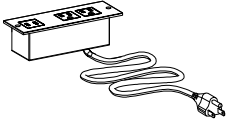
PACKAGE INCLUDE



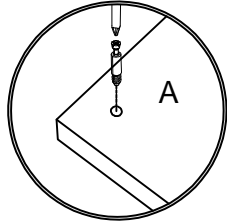
PACKAGE INCLUDE

CODE	DESCRIPTION	QTY
1	Top Panel	1
2	Left Side Panel	1
3	Right Side Plate	1
4	Left Column	1
5	Right Column	1
6	Bottom Vertical Panel	1
7	Rear Foot Plate	1
8	Backplate	1
9	Drawer Front Panels	3
10	Drawer Left Side Panel	3
11	Drawer Right Side Panel	3
12	Drawer Back Panel	3
13	Drawer Bottom Strip	3
14	Drawer Bottom Panel	3
15	Wooden Handles	3

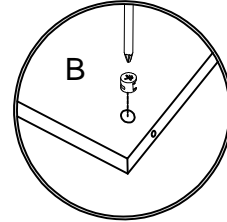
PACKAGE CONTENT

<p>Ø6X30MM</p>  <p>(A) 10X+1</p>	<p>Ø4X25MM</p>  <p>(B) 6X</p>	<p>Ø6X40MM</p>  <p>(C) 33X+2</p>	<p>Ø15X10MM</p>  <p>(D) 33X+2</p>
 <p>(E) 3X</p>	<p>Ø3.5X12MM</p>  <p>(F) 32X+2</p>	<p>Ø4X35MM</p>  <p>(G) 15X+1</p>	<p>Ø3X12MM</p>  <p>(H) 14X+1</p>
 <p>(J) 6X</p>	 <p>(K) 1X</p>		

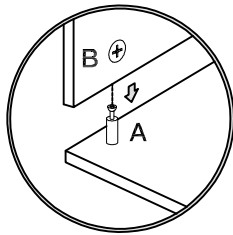
How to use the cam lock system



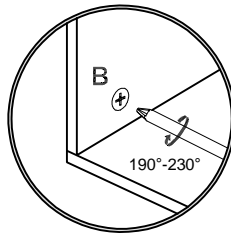
1. Screw cam bolt into panel



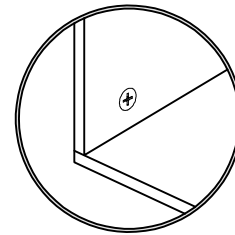
2. Push cam into panel - arrow feature on cam top points to panel edge



3. Align cam bolt(s) with cam(s) and insert all the way into cross-bored hole(s)

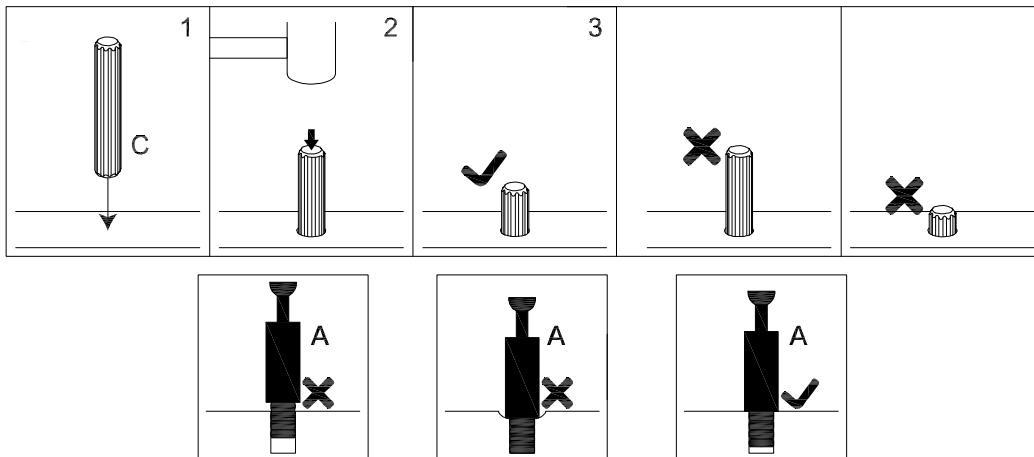


4. Rotate cam(s) clockwise 190°-230° to lock panels together

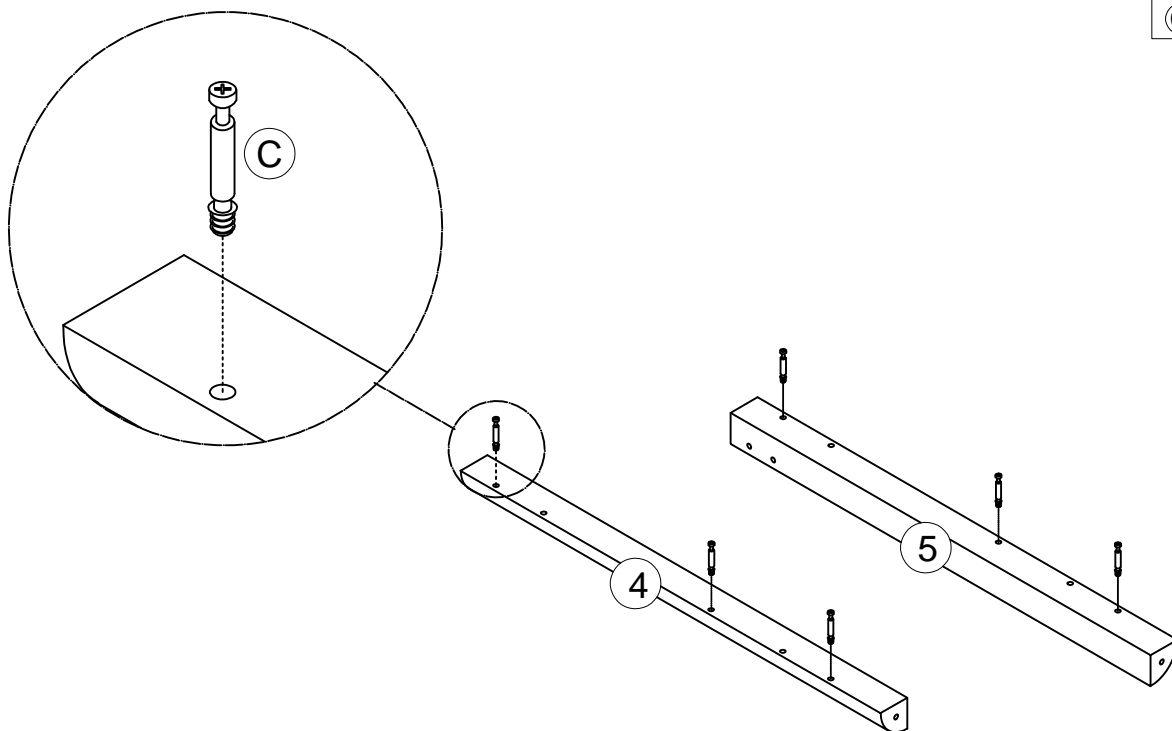
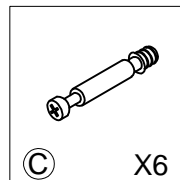


5. Panels should be tight against each other and connection should be rigid

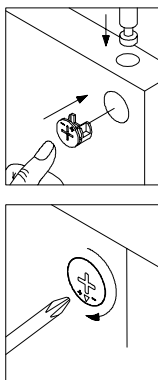
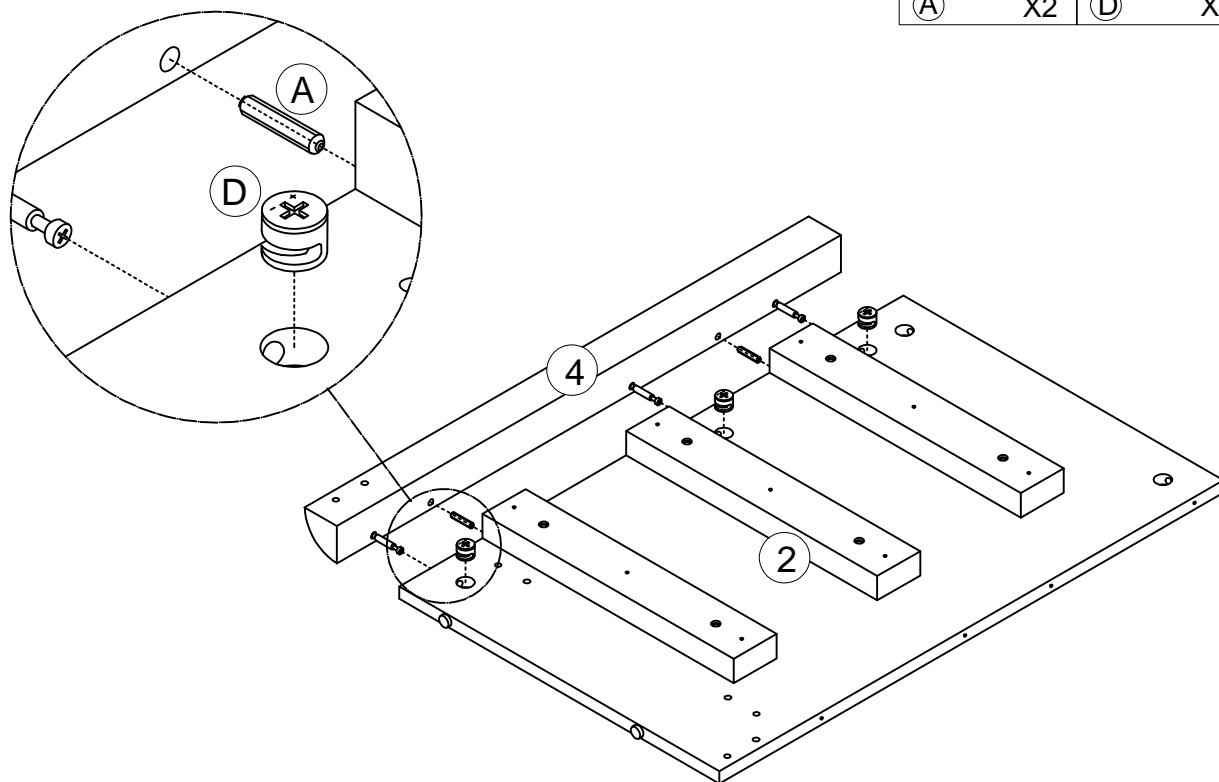
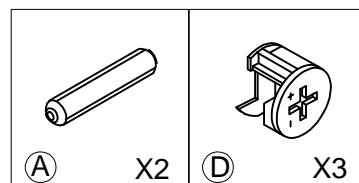
Insert the wood dowel [C] at least half way by tapping lightly with a rubber mallet, IF NECESSARY.



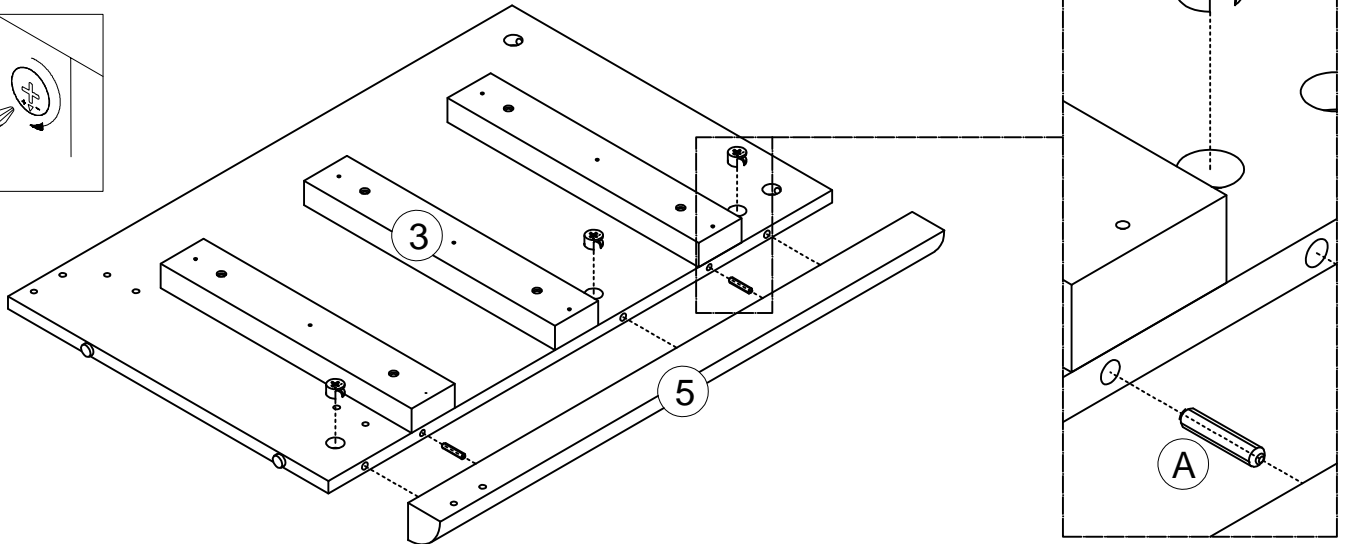
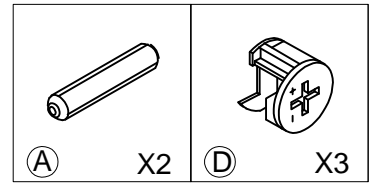
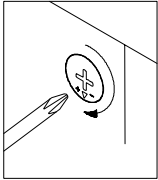
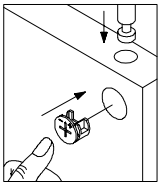
STEP 1



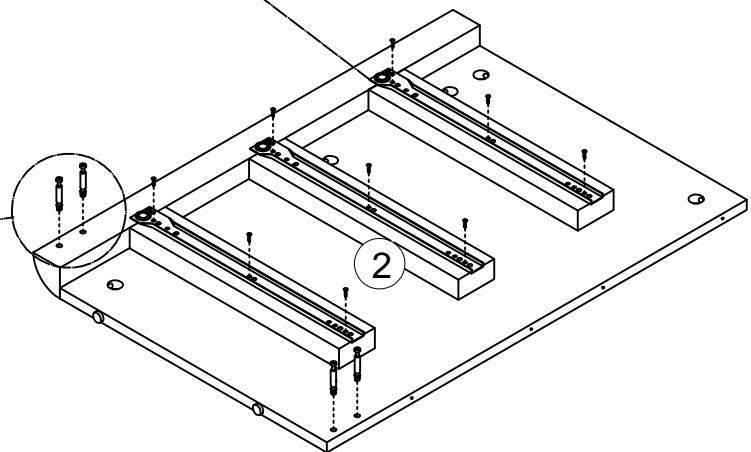
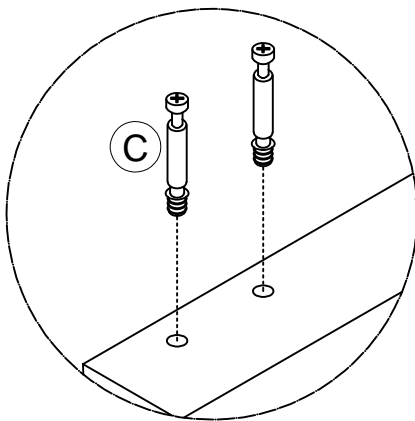
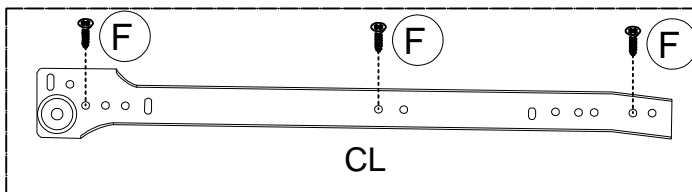
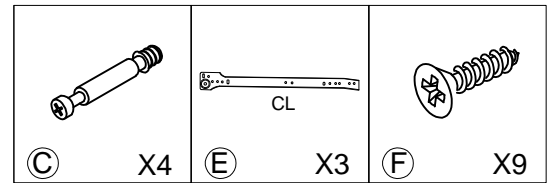
STEP 2



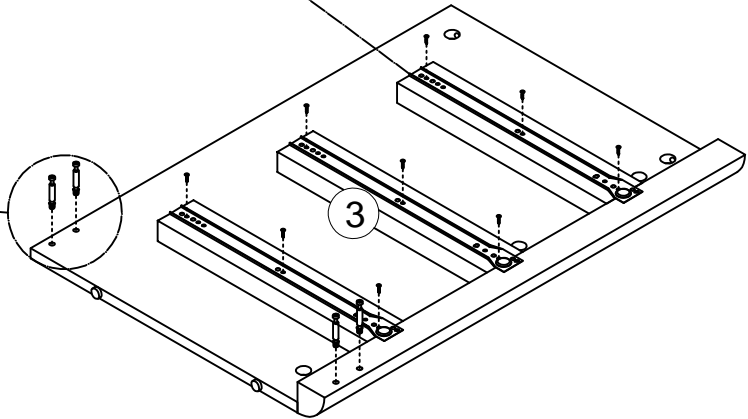
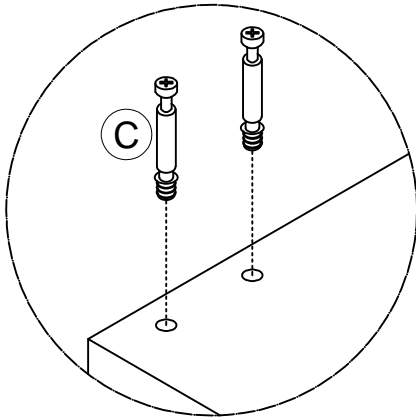
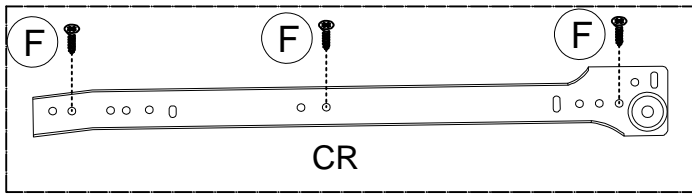
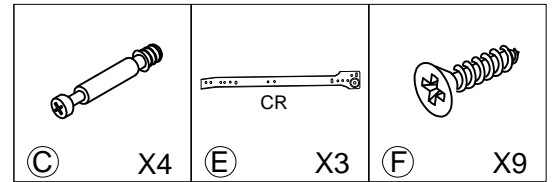
STEP 3



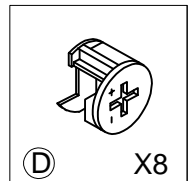
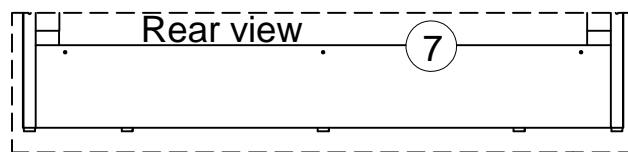
STEP 4



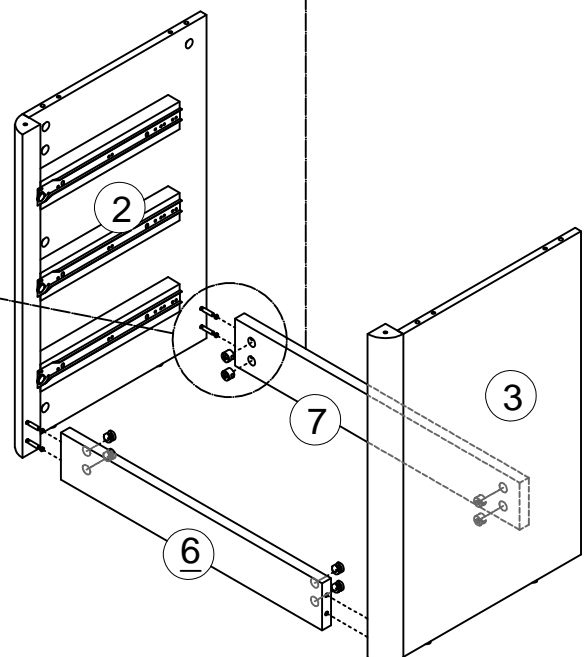
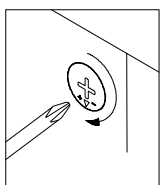
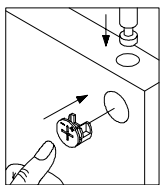
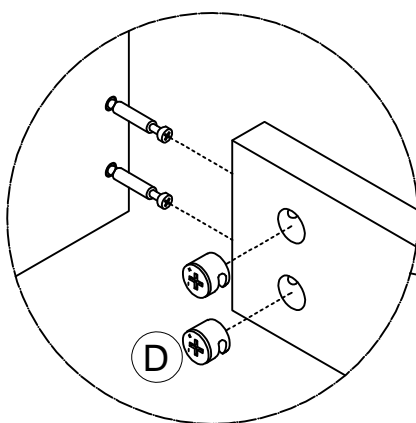
STEP 5



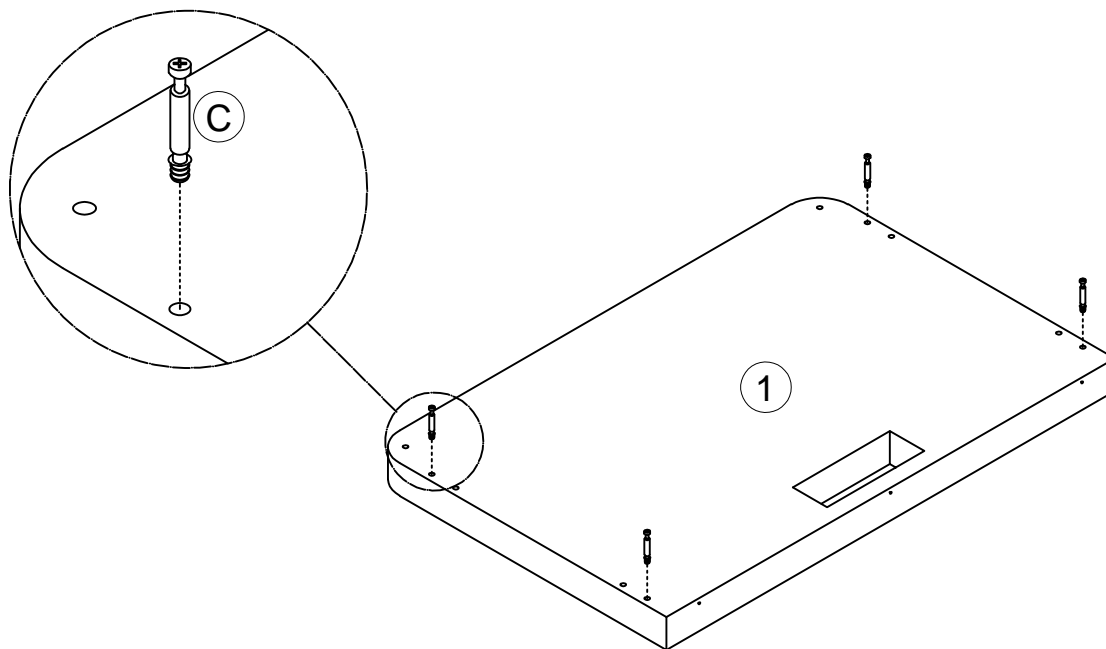
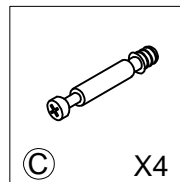
STEP 6



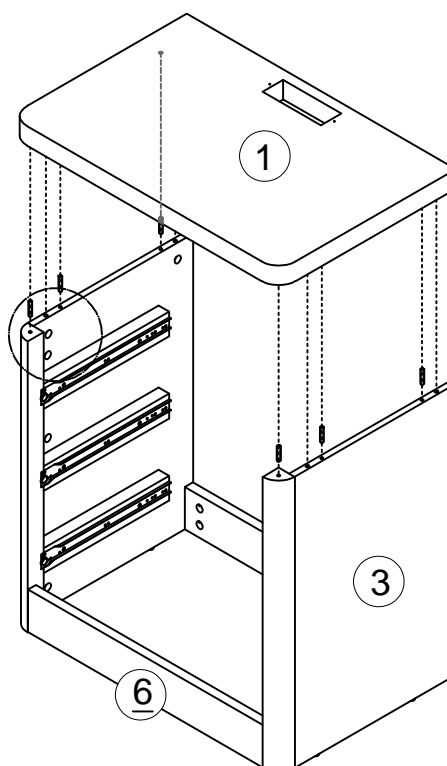
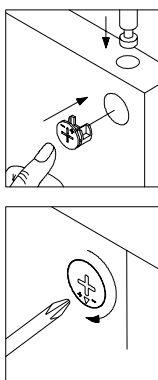
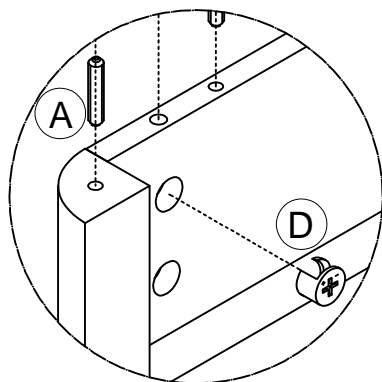
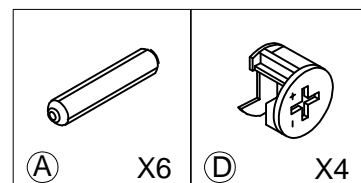
Please pay attention to the pre-drilled hole positions after assembly.



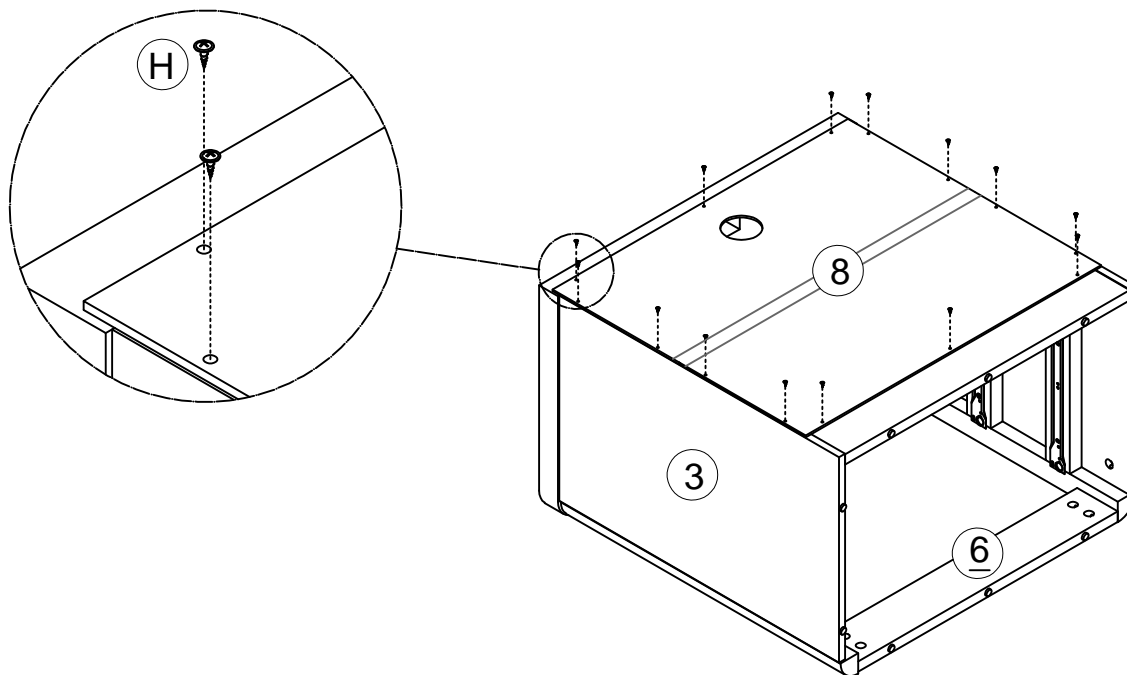
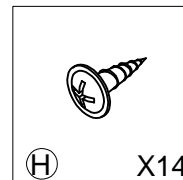
STEP 7



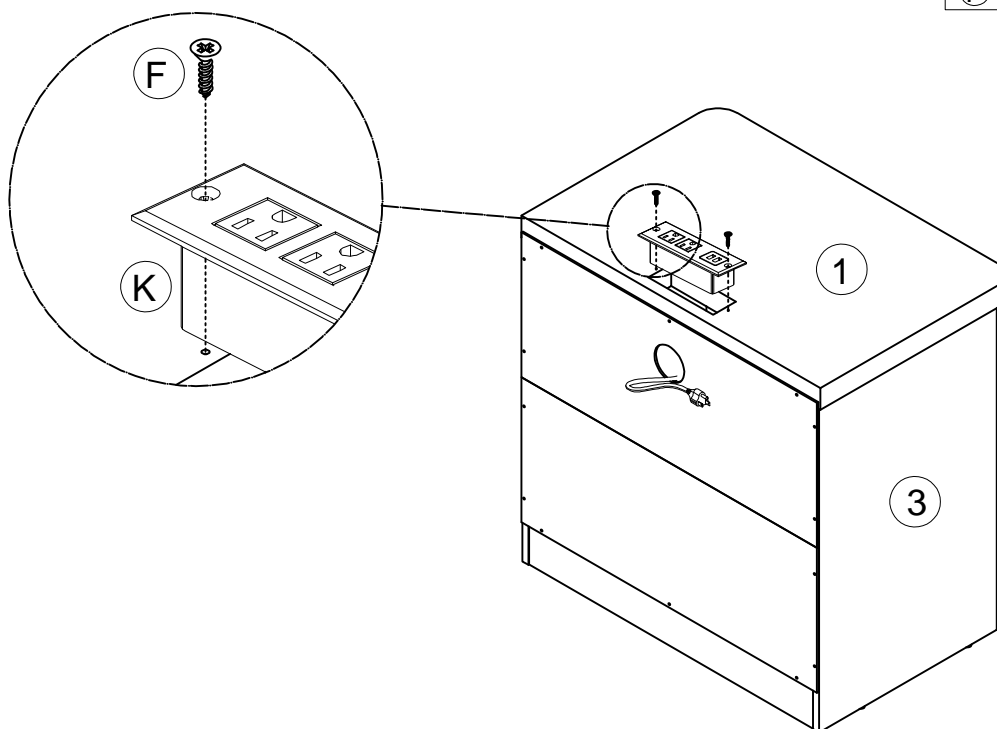
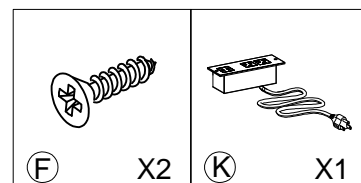
STEP 8



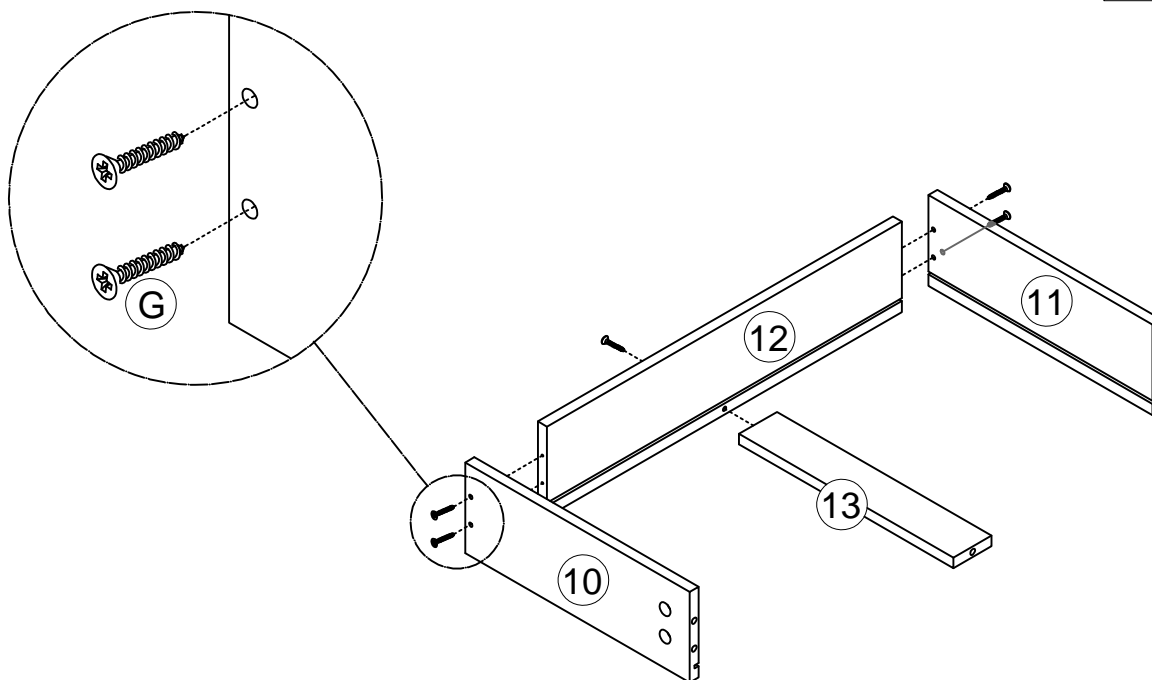
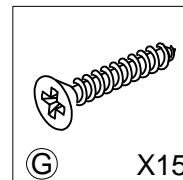
STEP 9



STEP 10

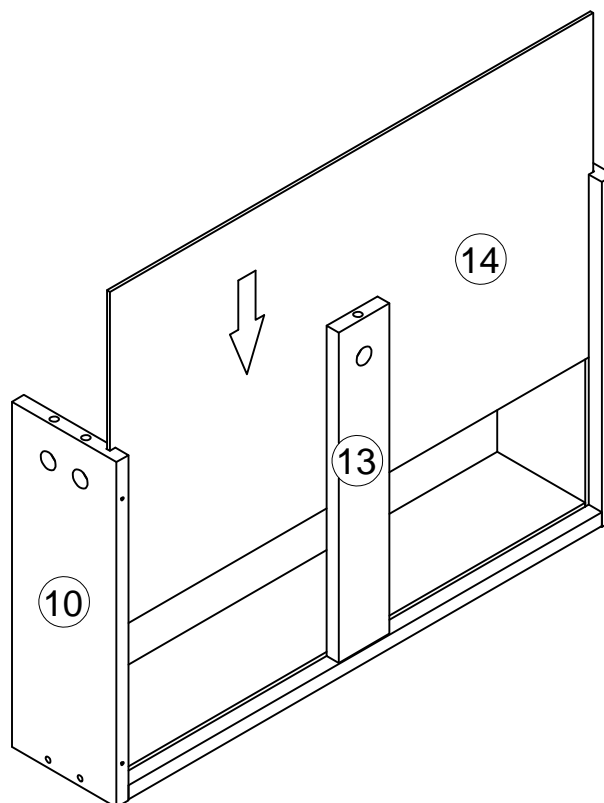


STEP 11



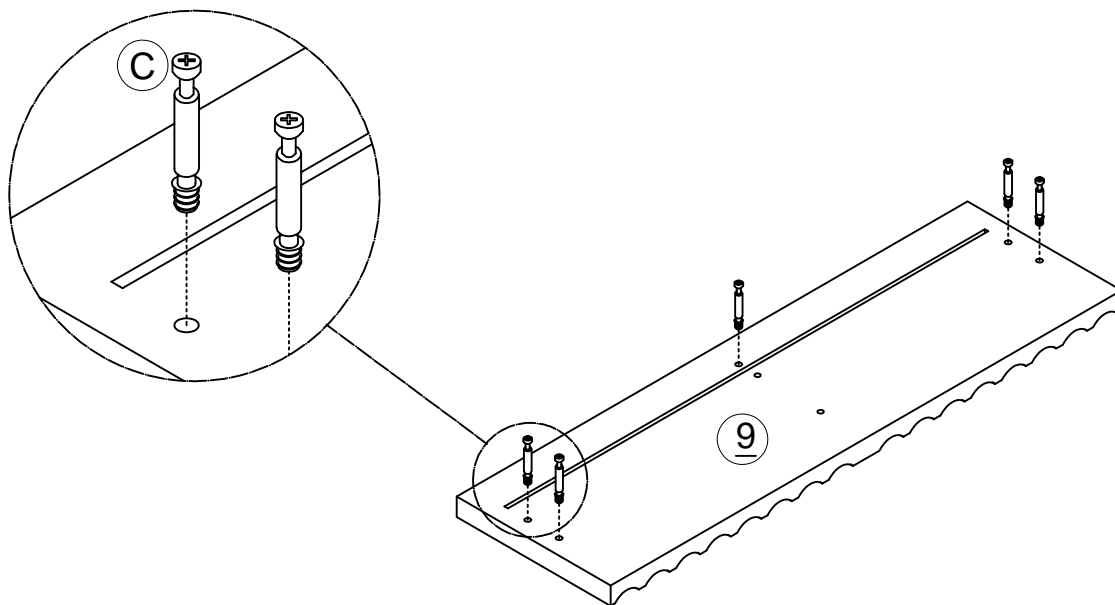
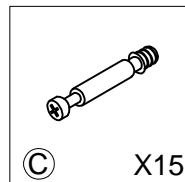
X3

STEP 12



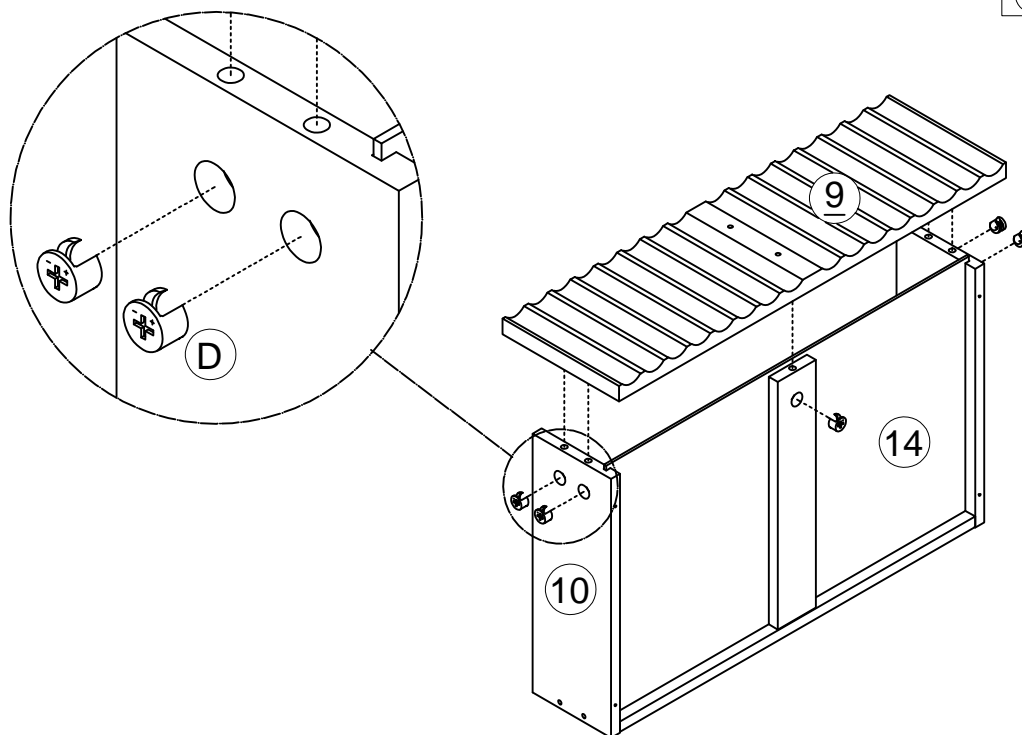
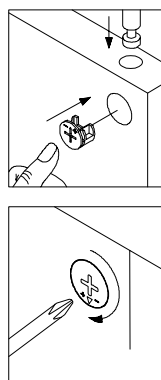
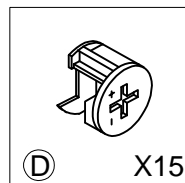
X3

STEP 13



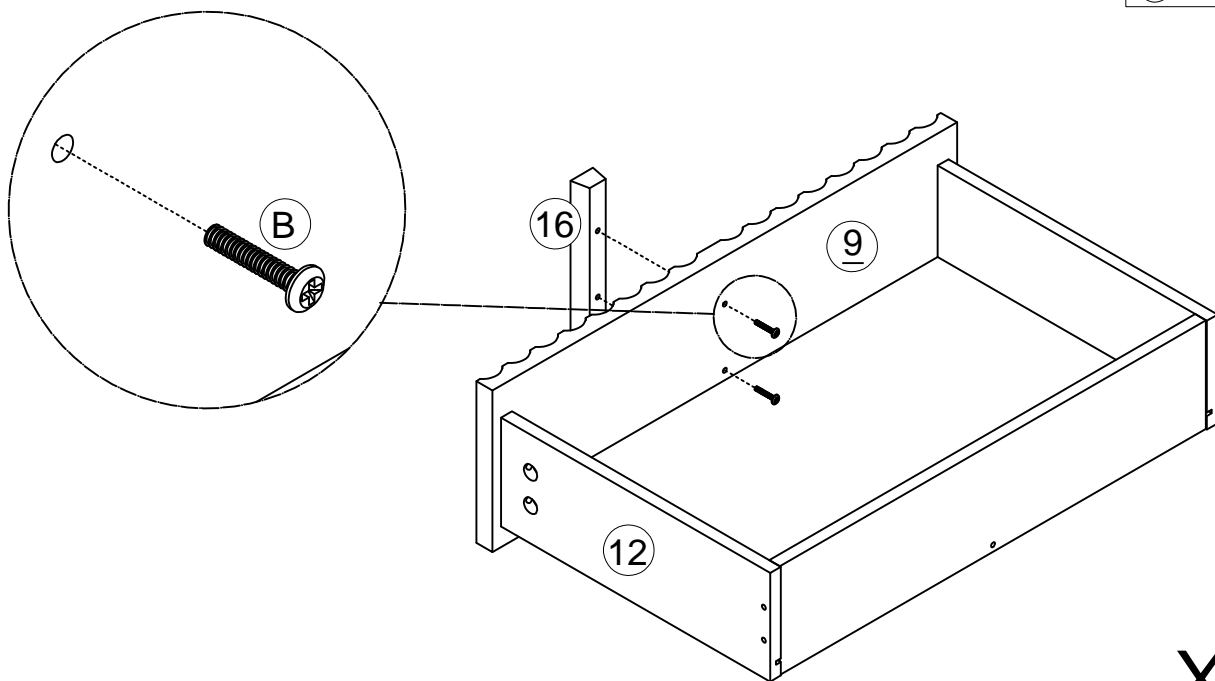
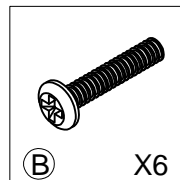
X3

STEP 14



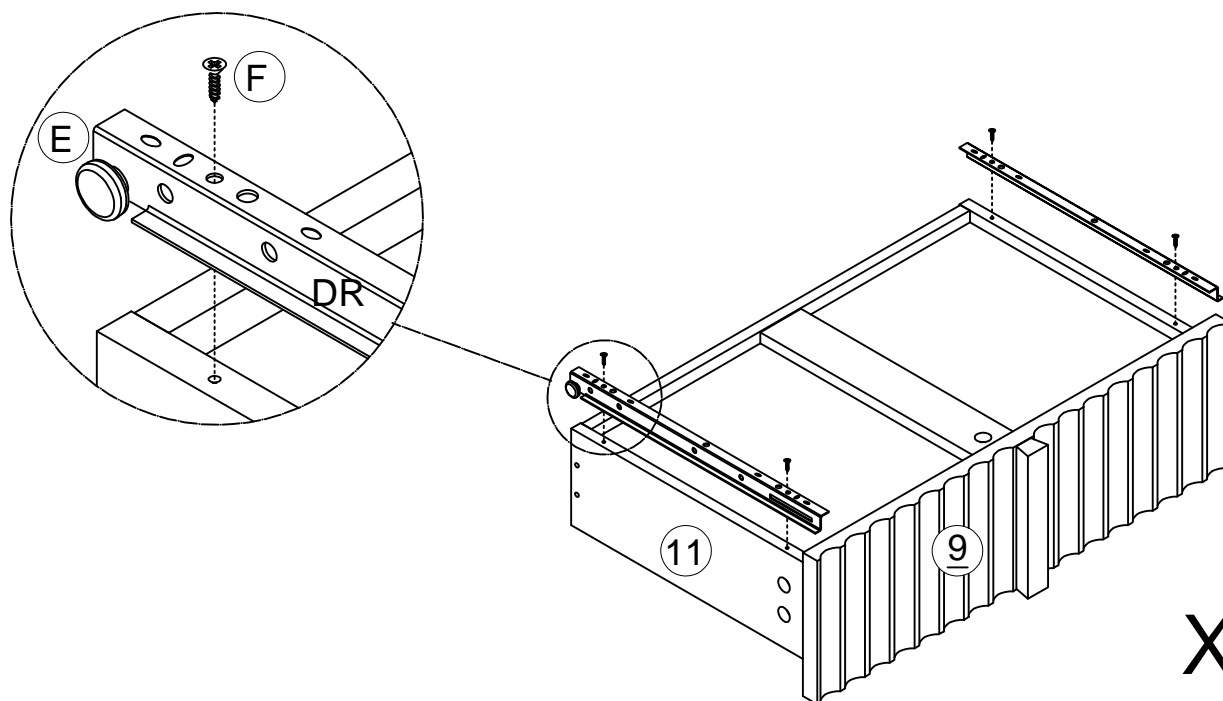
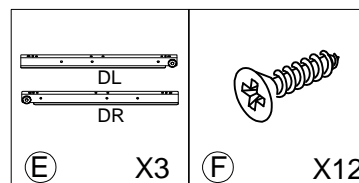
X3

STEP 15



X3

STEP 16



X3

STEP 17

