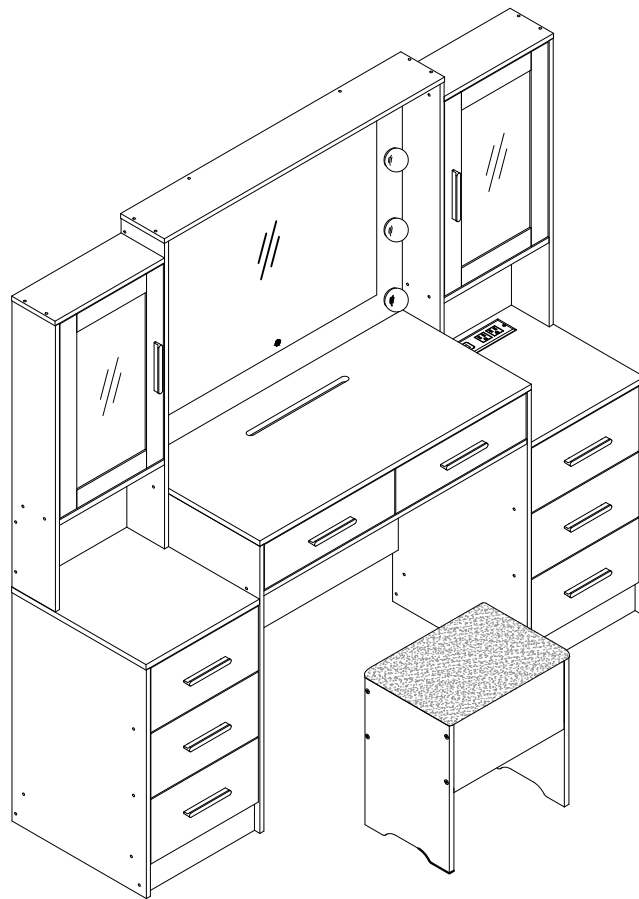


ANCTOR



PUZZEL YOUR HOUSE

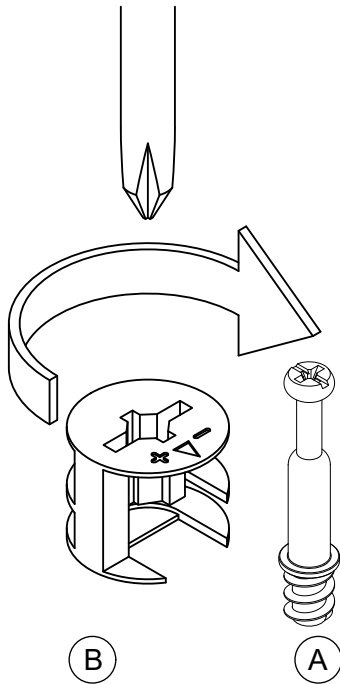
Please don't tighten the screws completely and go back later for a final tightening of all the screws after pieces are aligned with each other.

CATALOG:

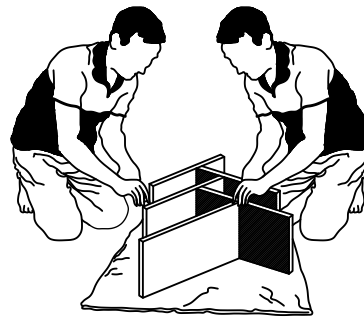
Part List.....4-6.
Accessories List.....7-8.
Assemble.....8-27.

Foreword:

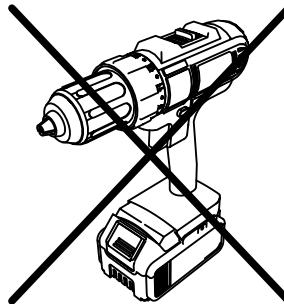
Thank you for choosing our product! We hope you have a good shopping experience!
We aim to provide a 100% satisfaction product and customer service.



Only slight turn of cams
required.
Do **NOT** overturn.



Requires 2 people to assemble
the product more easily



*Power Tool **NOT**
Recommended for **A-B**
hardware assembly

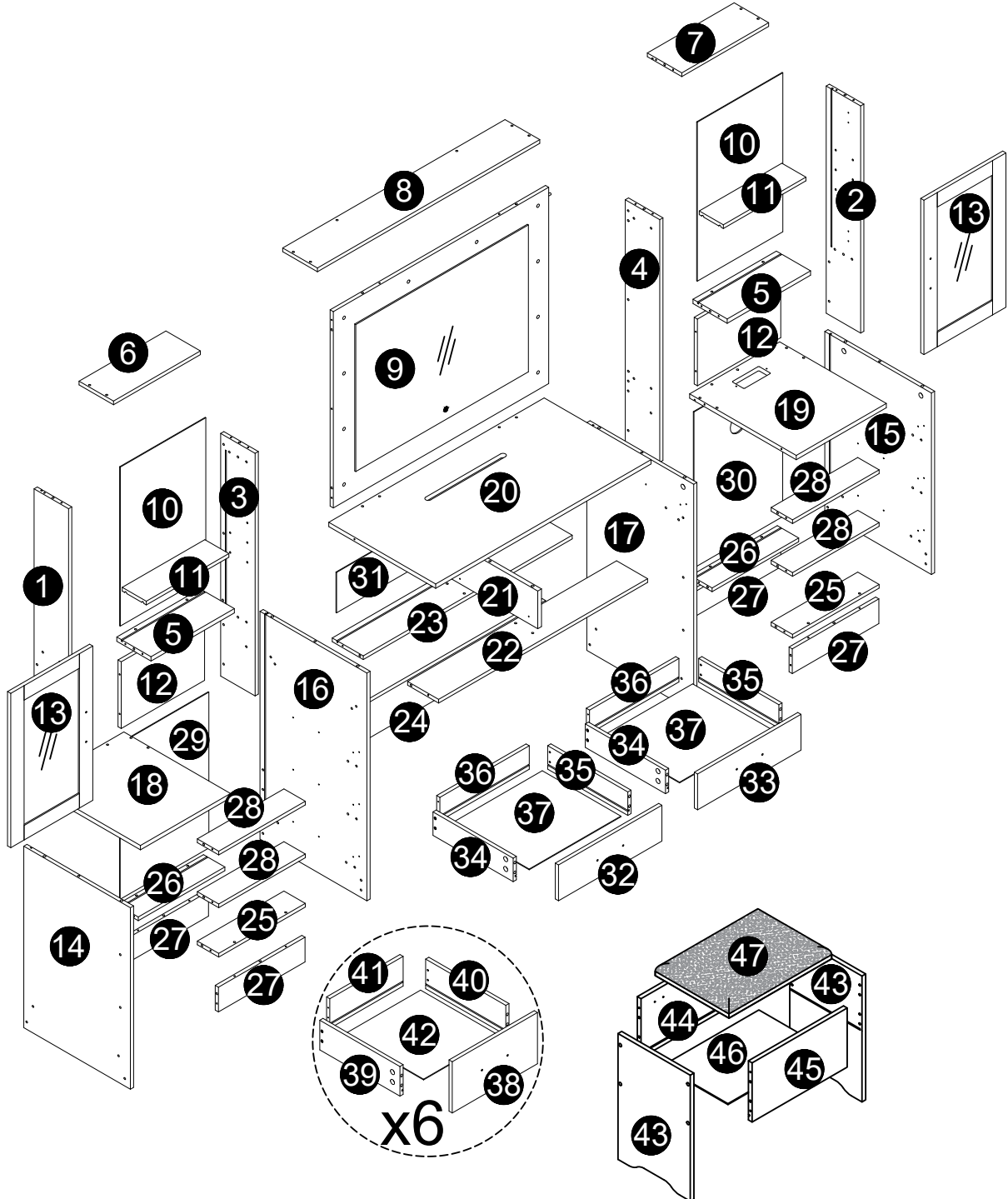


TOOL REQUIRED
Phillips Screwdriver

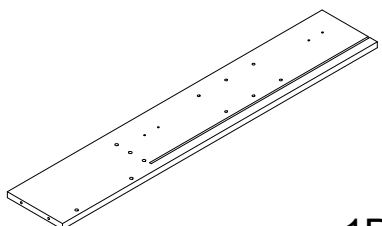
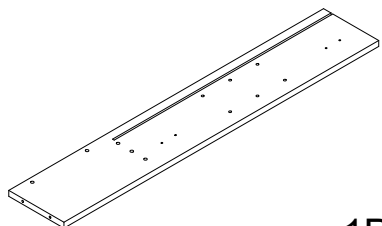
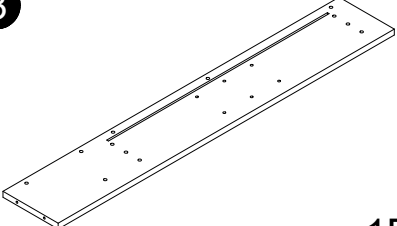
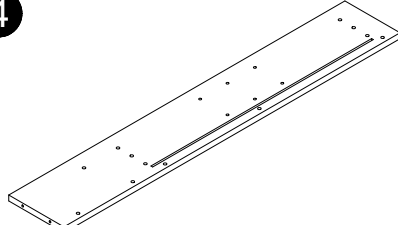
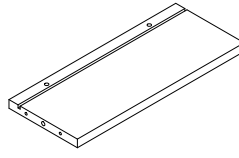
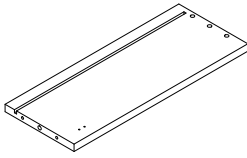
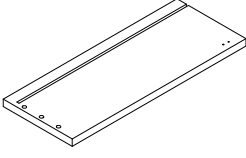
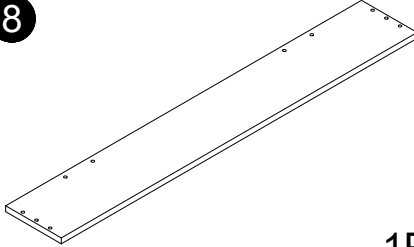
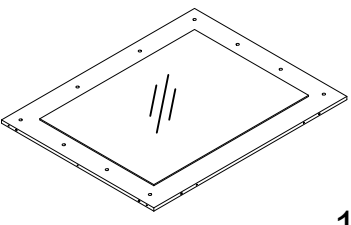
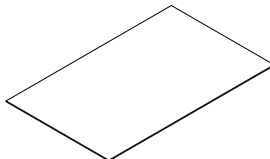
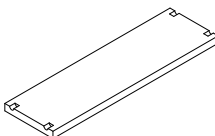
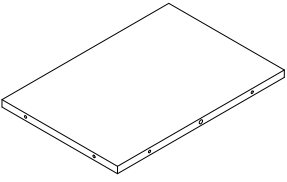
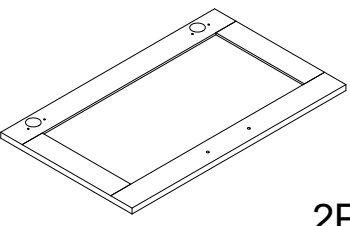
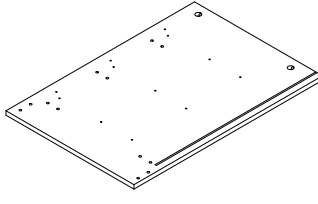
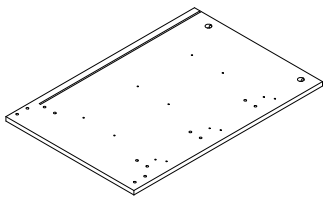
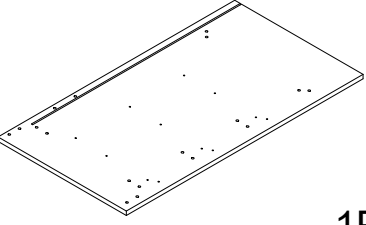
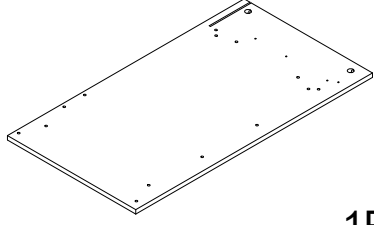
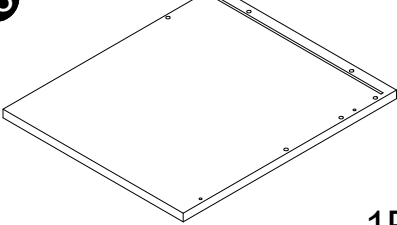
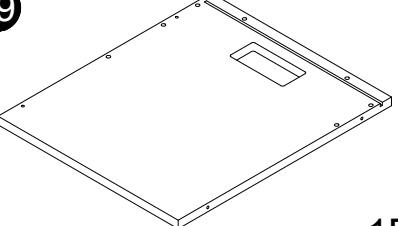
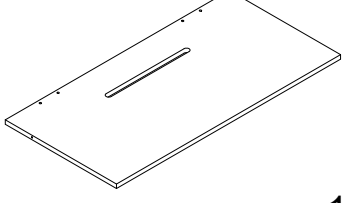
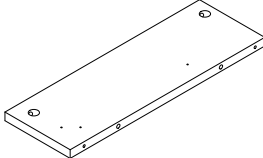
TIPS

1. When installing the product, use a soft surface (such as carpet or cardboard) to avoid scratching or damaging the surface of the product.
2. Please try to use a manual screwdriver instead of electric screw driver. A manual screwdriver can be used to better control the tightness of the screws.
3. Do not use any glue.
4. The product is unstable before it is assembled. Please pay attention to the product installation sequence, and align all screws and screw holes before tightening.
5. The structure of this product can not meet the requirements of children climbing.

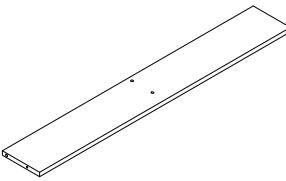
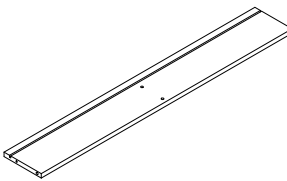
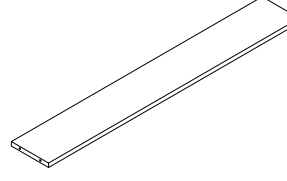
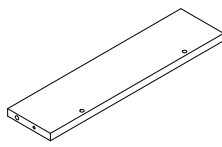
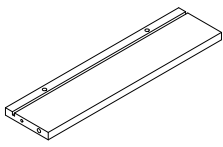
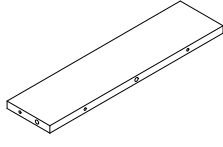
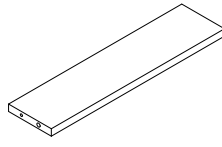
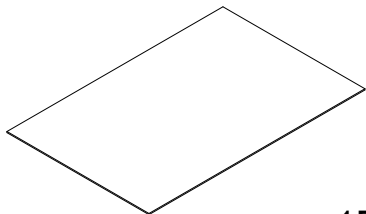
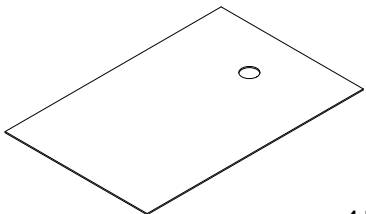
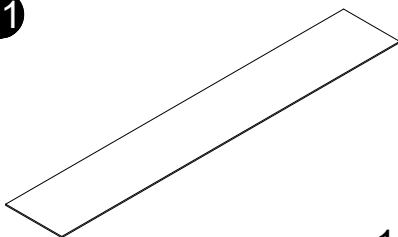
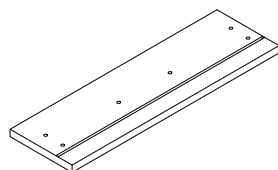
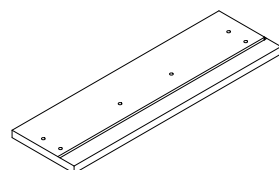
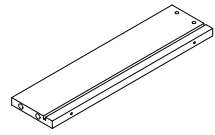
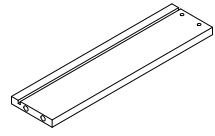
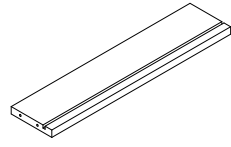
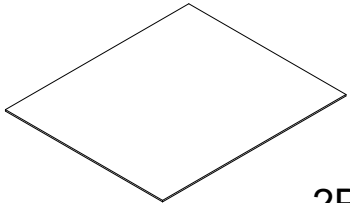
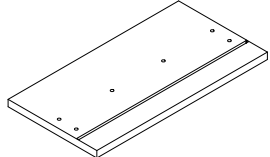
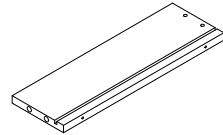
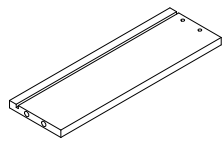
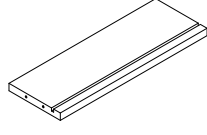
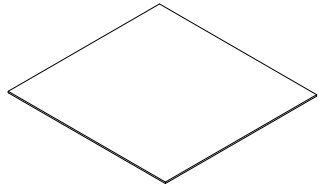
Parts List



PARTS LIST (Unit: mm)

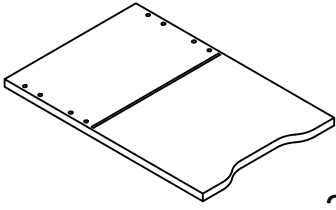
<p>1</p>  <p>1PC</p>	<p>2</p>  <p>1PC</p>	<p>3</p>  <p>1PC</p>
<p>4</p>  <p>1PC</p>	<p>5</p>  <p>2PCS</p>	<p>6</p>  <p>1PC</p>
<p>7</p>  <p>1PC</p>	<p>8</p>  <p>1PC</p>	<p>9</p>  <p>1PC</p>
<p>10</p>  <p>2PCS</p>	<p>11</p>  <p>2PCS</p>	<p>12</p>  <p>2PCS</p>
<p>13</p>  <p>2PCS</p>	<p>14</p>  <p>1PC</p>	<p>15</p>  <p>1PC</p>
<p>16</p>  <p>1PC</p>	<p>17</p>  <p>1PC</p>	<p>18</p>  <p>1PC</p>
<p>19</p>  <p>1PC</p>	<p>20</p>  <p>1PC</p>	<p>21</p>  <p>1PC</p>

PARTS LIST (Unit: mm)

<p>22</p>  <p>1PC</p>	<p>23</p>  <p>1PC</p>	<p>24</p>  <p>1PC</p>
<p>25</p>  <p>2PCS</p>	<p>26</p>  <p>2PCS</p>	<p>27</p>  <p>4PCS</p>
<p>28</p>  <p>4PCS</p>	<p>29</p>  <p>1PC</p>	<p>30</p>  <p>1PC</p>
<p>31</p>  <p>1PC</p>	<p>32</p>  <p>1PC</p>	<p>33</p>  <p>1PC</p>
<p>34</p>  <p>2PCS</p>	<p>35</p>  <p>2PCS</p>	<p>36</p>  <p>2PCS</p>
<p>37</p>  <p>2PCS</p>	<p>38</p>  <p>6PCS</p>	<p>39</p>  <p>6PCS</p>
<p>40</p>  <p>6PCS</p>	<p>41</p>  <p>6PCS</p>	<p>42</p>  <p>6PCS</p>

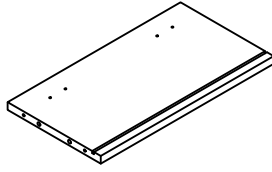
PARTS LIST (Unit: mm)

43



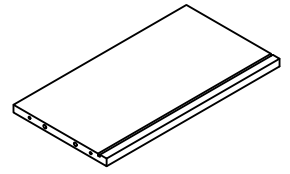
2PC

44



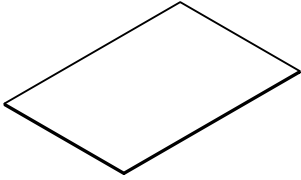
1PC

45



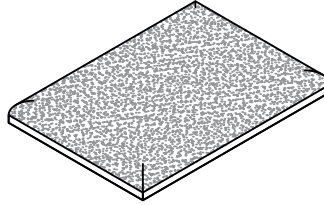
1PC

46



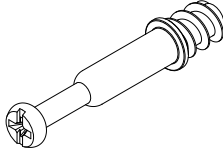

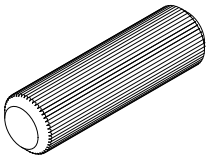
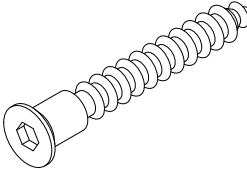
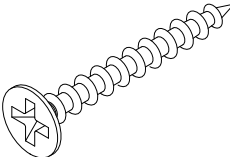
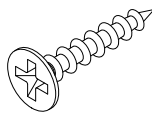
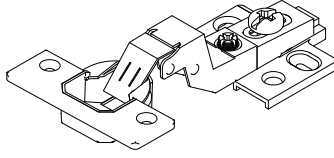
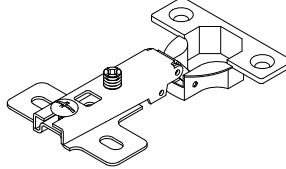
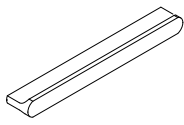
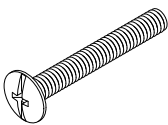
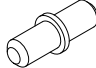

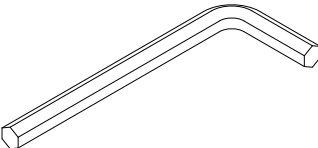

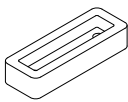
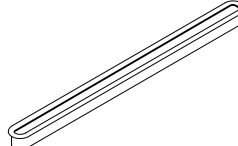

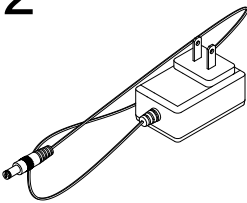
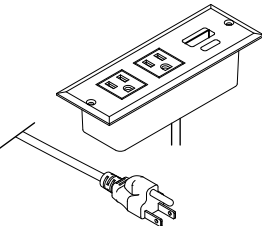
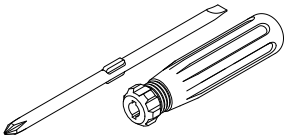
1PC

47



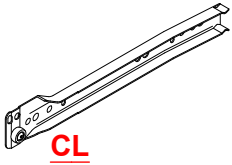
1PC

ACCESSORIES LIST (Unit: mm)

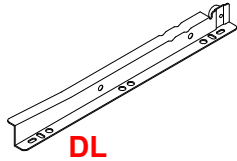
<p>A</p>  <p>6x35mm 42+2PCS</p>	<p>B</p>  <p>15x9.8mm 42+2PCS</p>	<p>C</p>  <p>Ø6x30mm 70+5PCS</p>
<p>D</p>  <p>#9.5xM5x46mm 110+5PCS</p>	<p>E</p>  <p>M4*30mm 32PCS</p>	<p>F</p>  <p>Ø3.5x14mm 131+4PCS</p>
<p>G</p>  <p>4PCS</p>	<p>H</p>  <p>2PCS</p>	<p>I</p>  <p>10PCS</p>
<p>J M4x16mm</p>  <p>20PCS</p>	<p>K</p>  <p>8PCS</p>	<p>L</p>  <p>Φ13*18*4mm 12PCS</p>
<p>M</p>  <p>1PC</p>	<p>N</p>  <p>44+4PCS</p>	<p>O</p>  <p>2PCS</p>
<p>P</p>  <p>1PC</p>	<p>Q.1</p>  <p>10PCS</p>	<p>Q.2</p>  <p>1PC</p>
<p>R</p>  <p>1PC</p>	<p>S</p>  <p>1PC</p>	

ACCESSORIES LIST (Unit: mm)

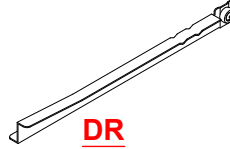
T 12"(300mm)



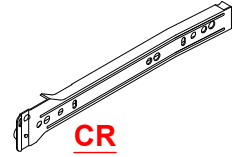
CL



DL



DR

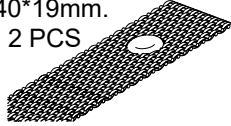


CR

8SET

U

140*19mm.
2 PCS



U.1

Ø8xM4x16mm.
2 PCS



U.2

Ø16xØ6x1mm.
4 PCS



U.3

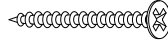
V

V.1



Ø6x35mm.
2 PCS

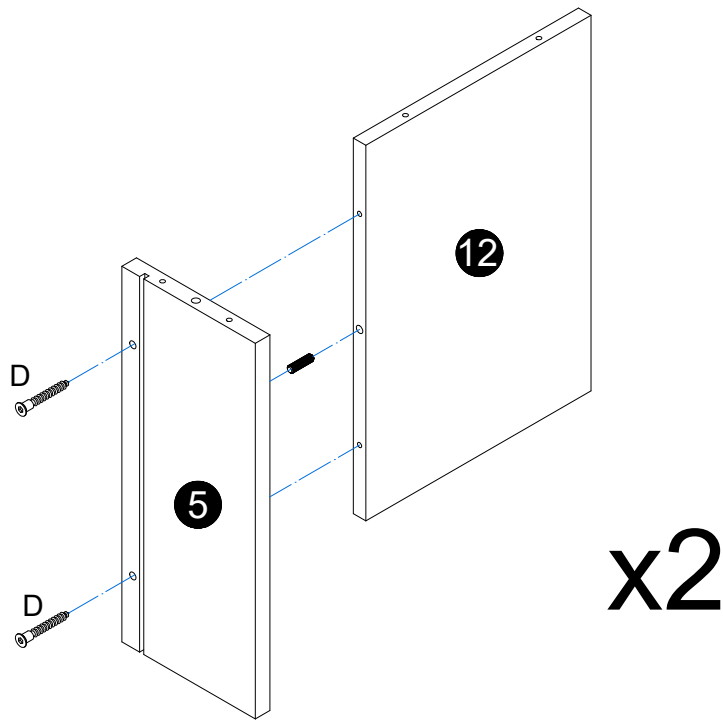
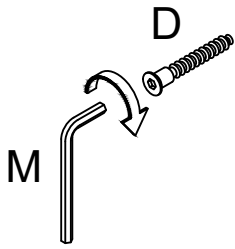
V.2



M4x35mm.
2 PCS

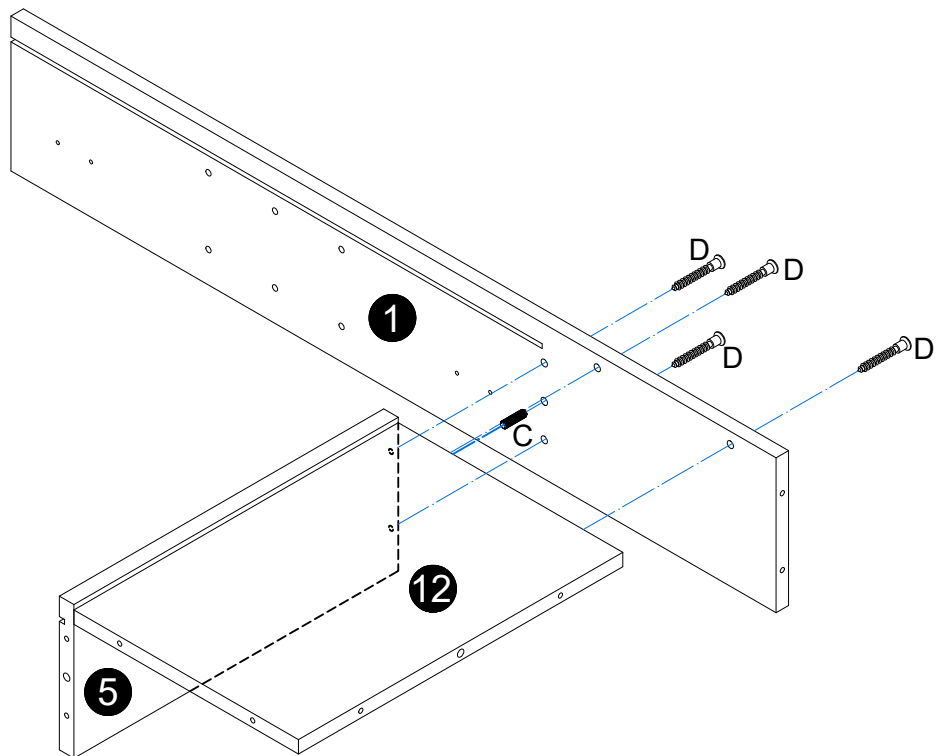
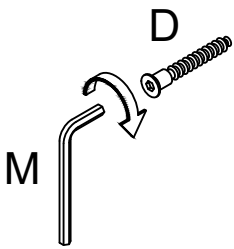
INSTALLATION INSTRUCTION

STEP1



	C. x2PCS
	D. x4PCS

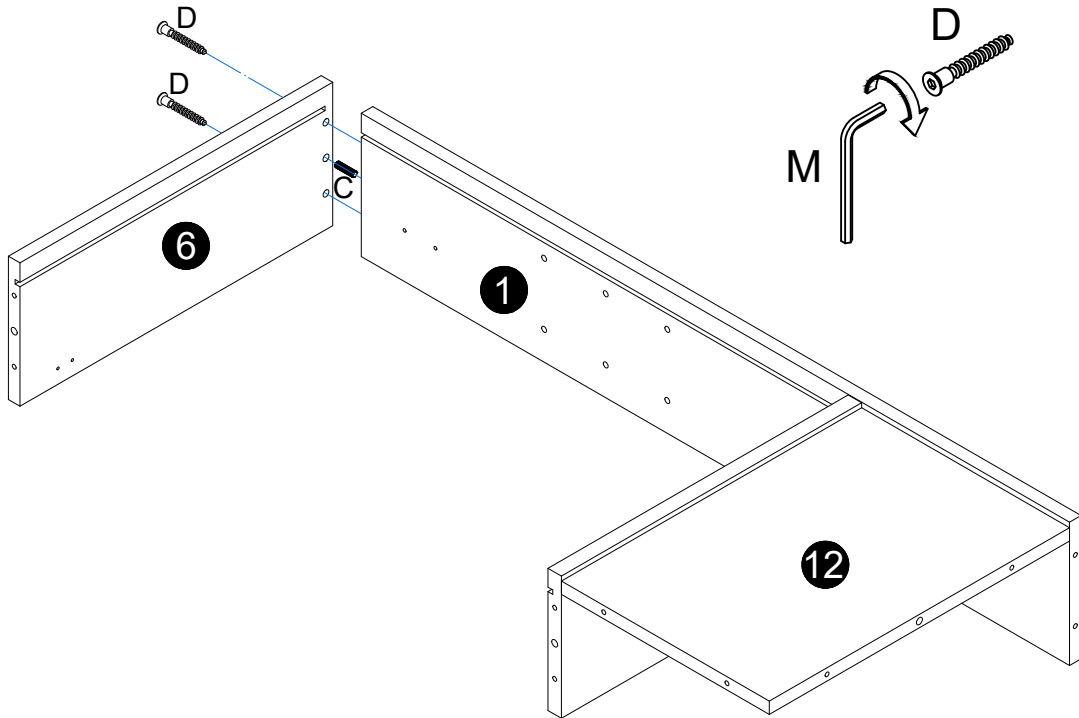
STEP2





	C. x1PCS
	G. x4PCS

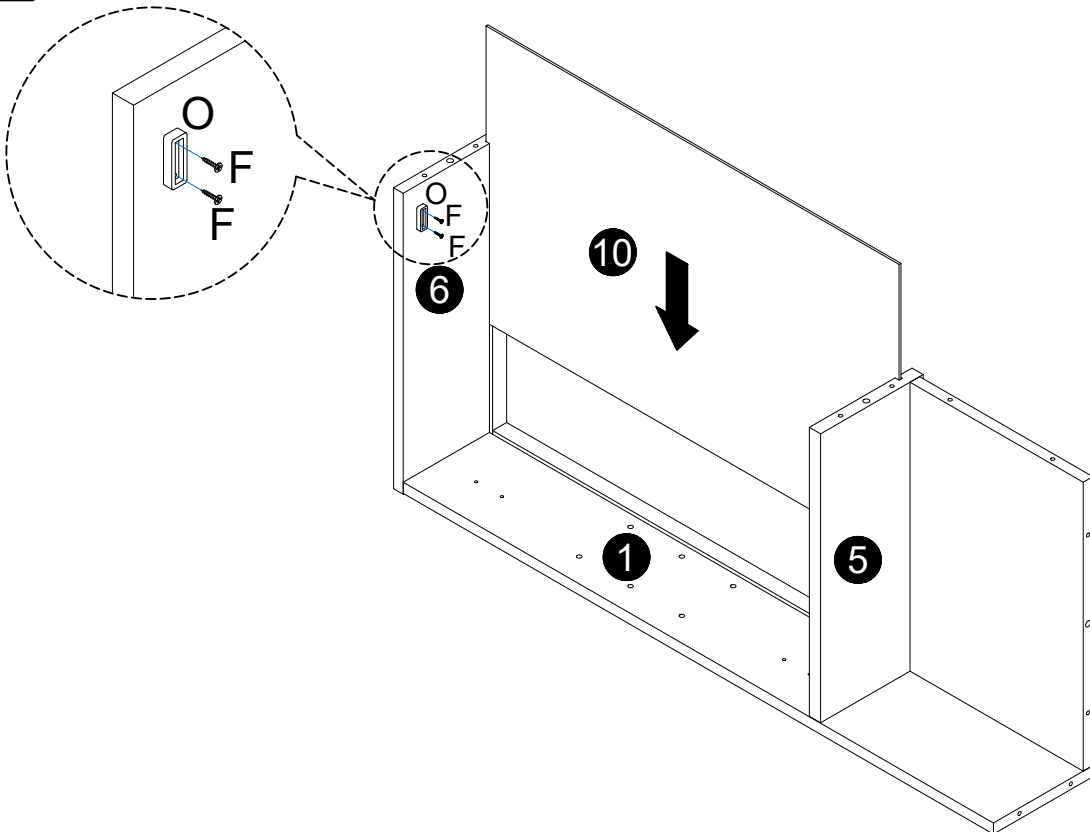
INSTALLATION INSTRUCTION


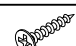
STEP3



- | | |
|---|----------|
|  | C. x1PCS |
|  | D. x2PCS |

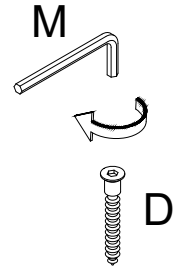
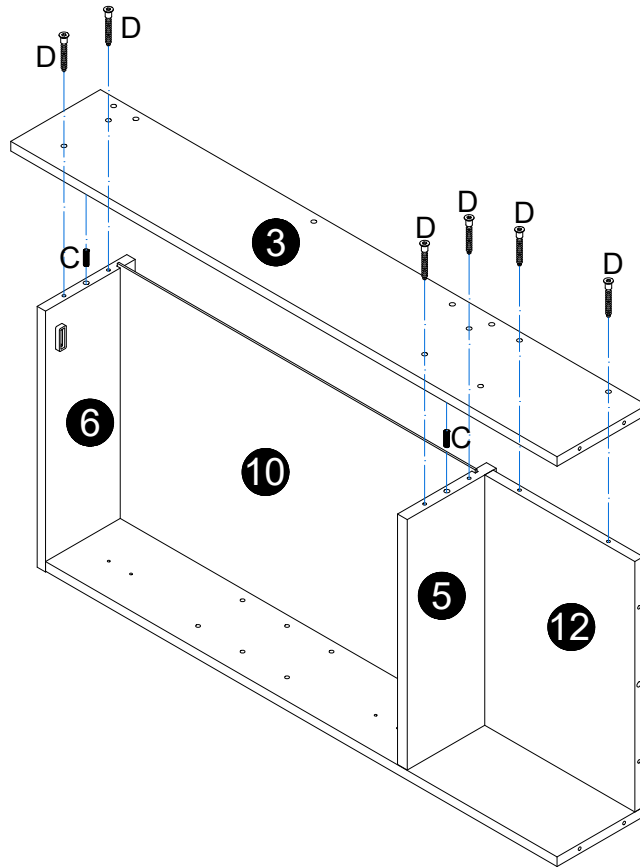
STEP4





- | | |
|---|----------|
|  | O. x1PCS |
|  | F. x2PCS |

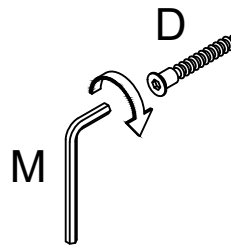
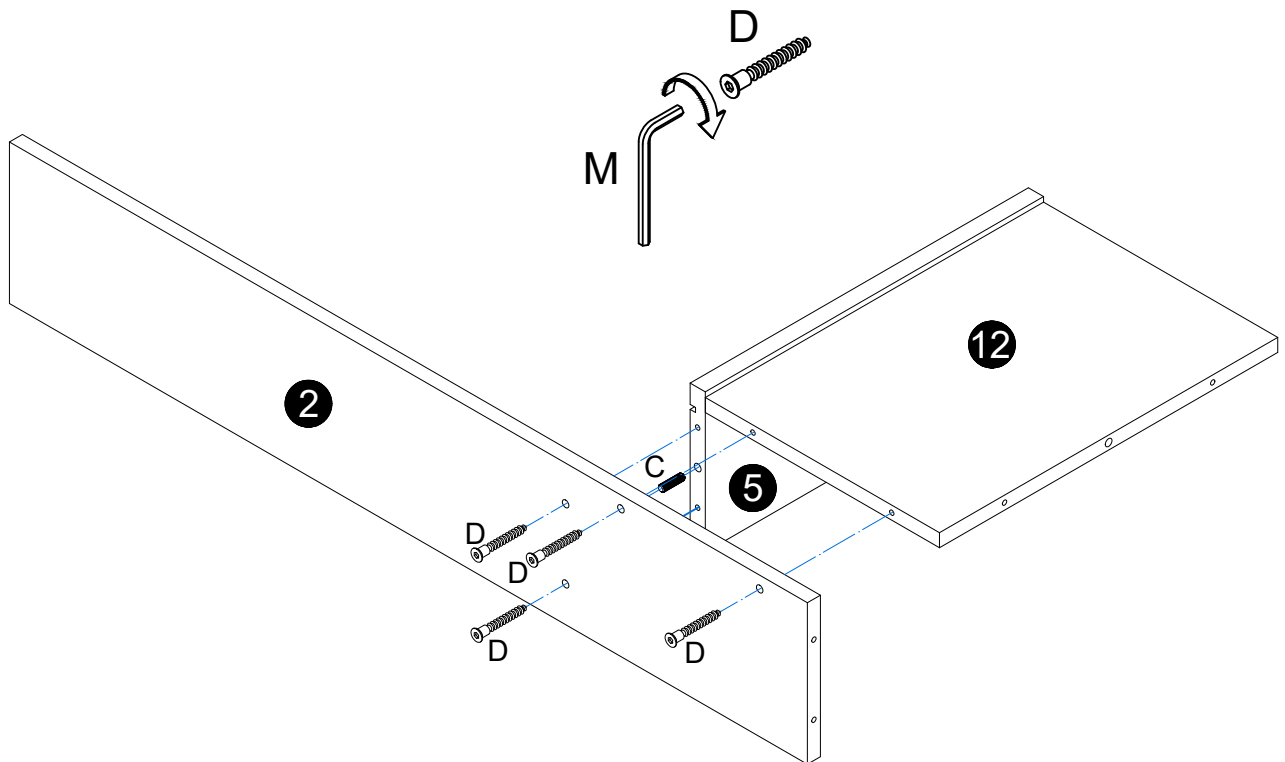
INSTALLATION INSTRUCTION


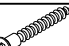
STEP5



- | | |
|---|----------|
|  | C. x2PCS |
|  | D. x6PCS |

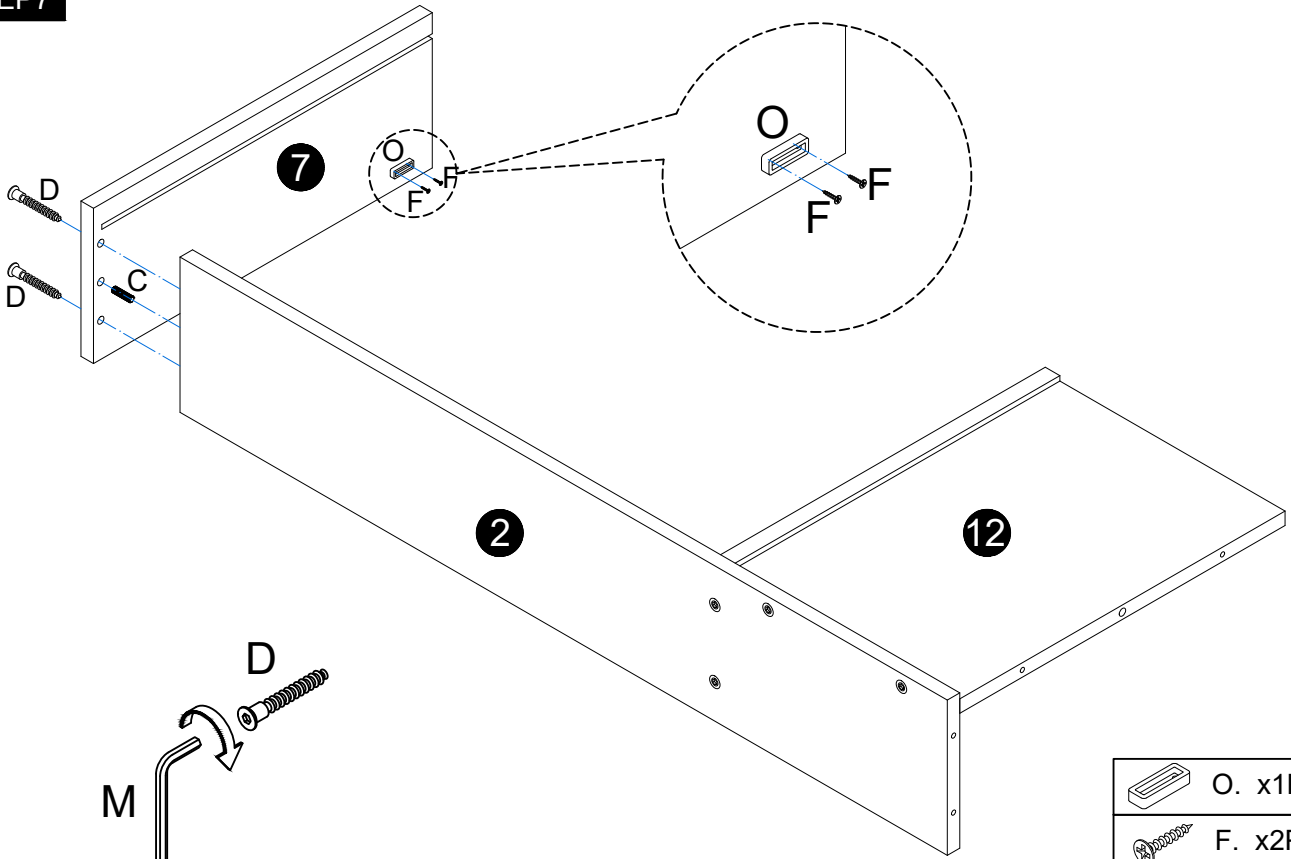
STEP6



- | | |
|---|----------|
|  | C. x2PCS |
|  | D. x4PCS |

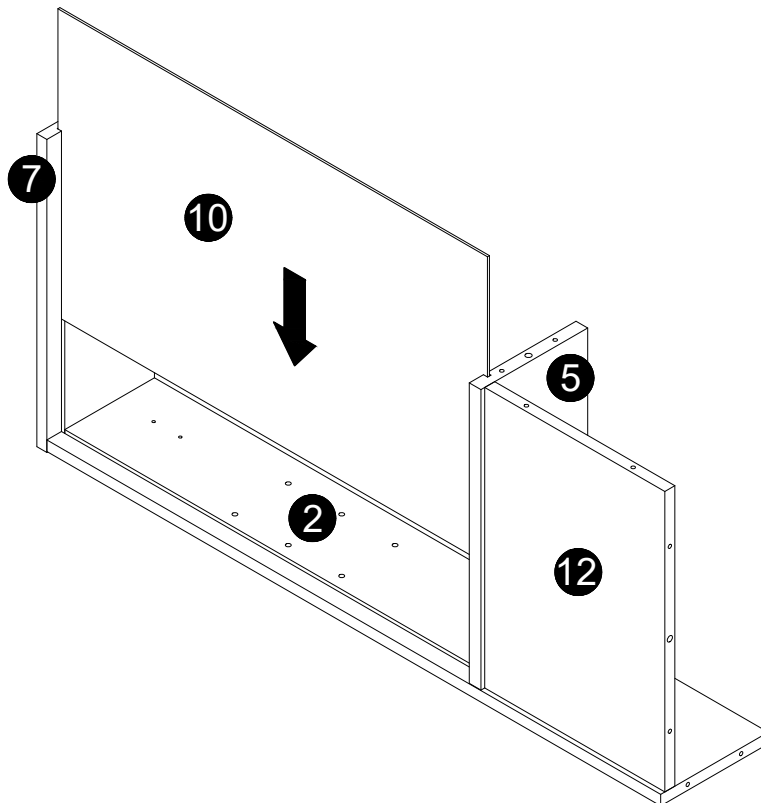
INSTALLATION INSTRUCTION

STEP 7



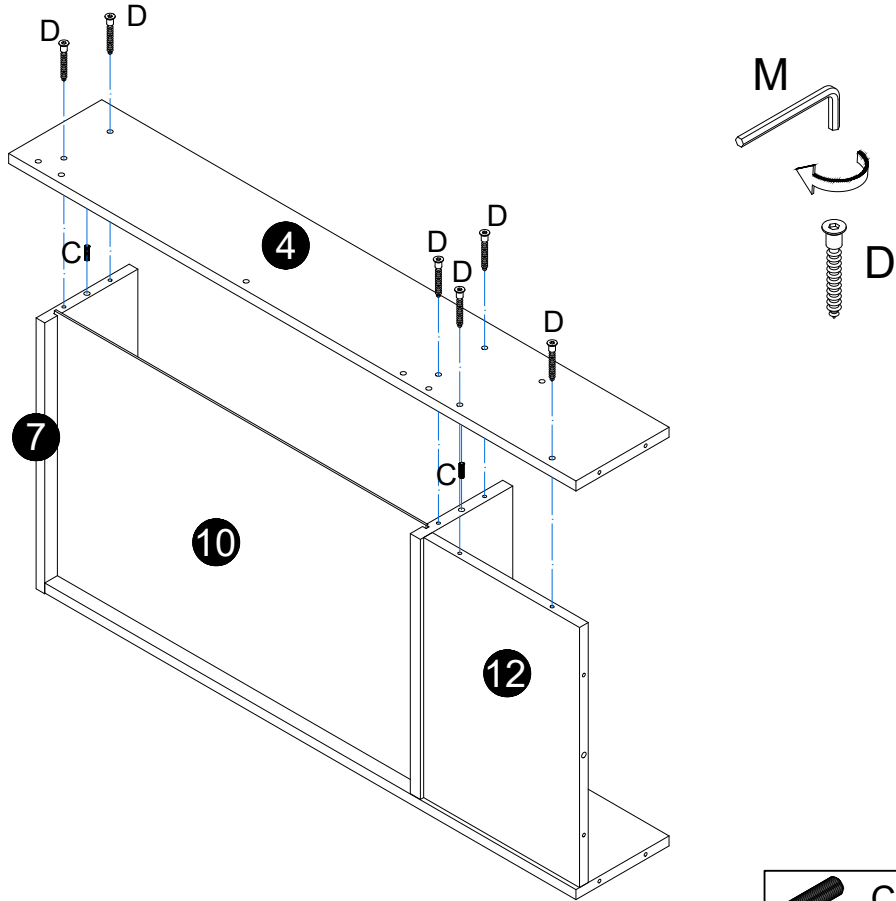
	O. x1PCS
	F. x2PCS
	C. x1PCS
	D. x2PCS



STEP 8



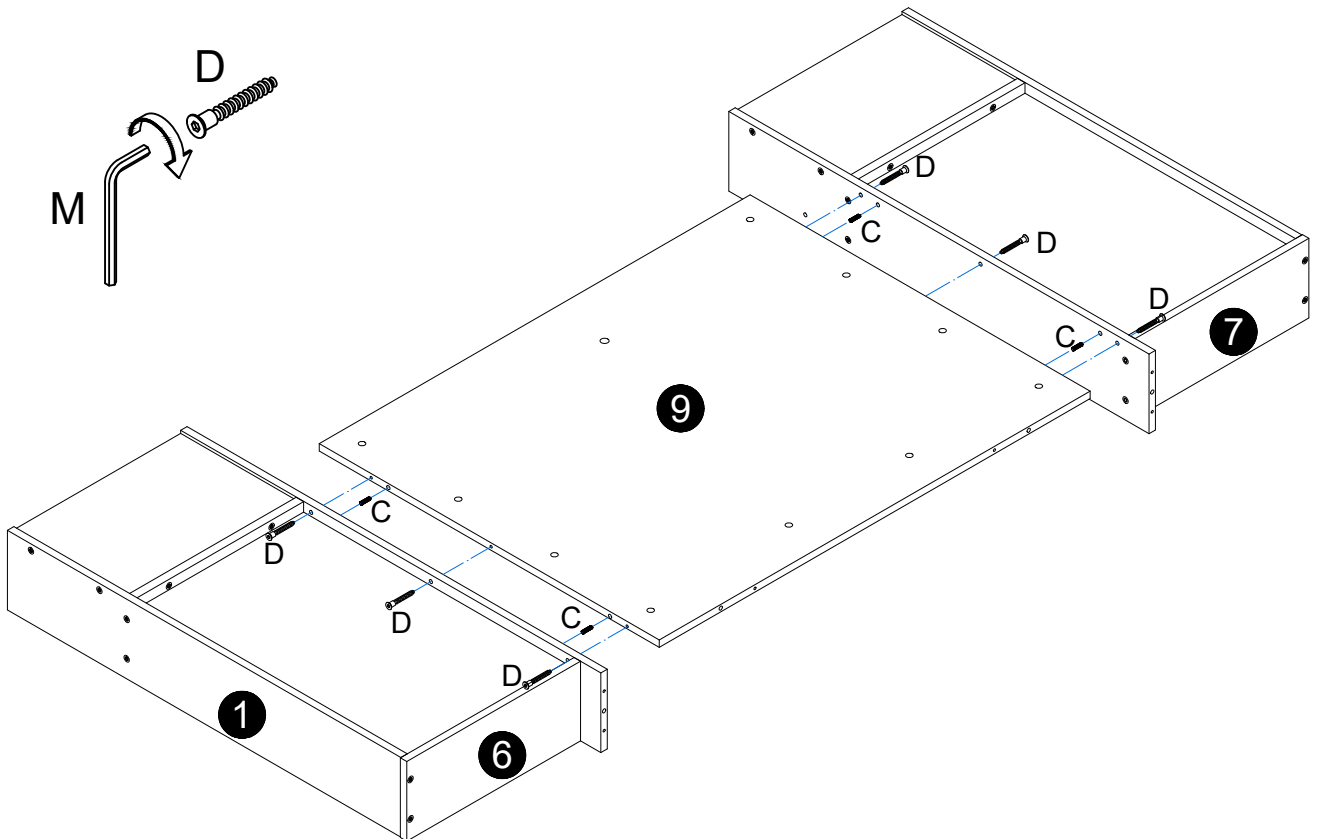
INSTALLATION INSTRUCTION


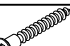
STEP9



-  C. x2PCS
-  D. x6PCS

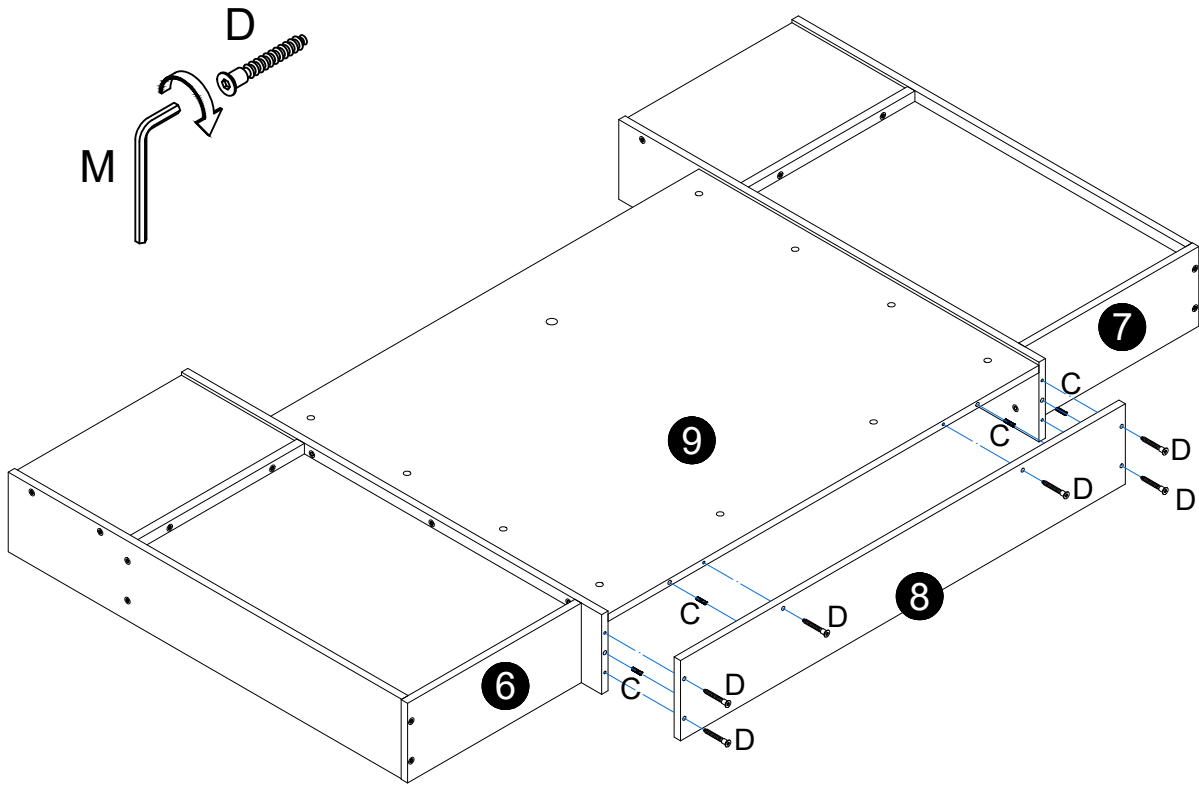
STEP10





-  C. x4PCS
-  D. x6PCS

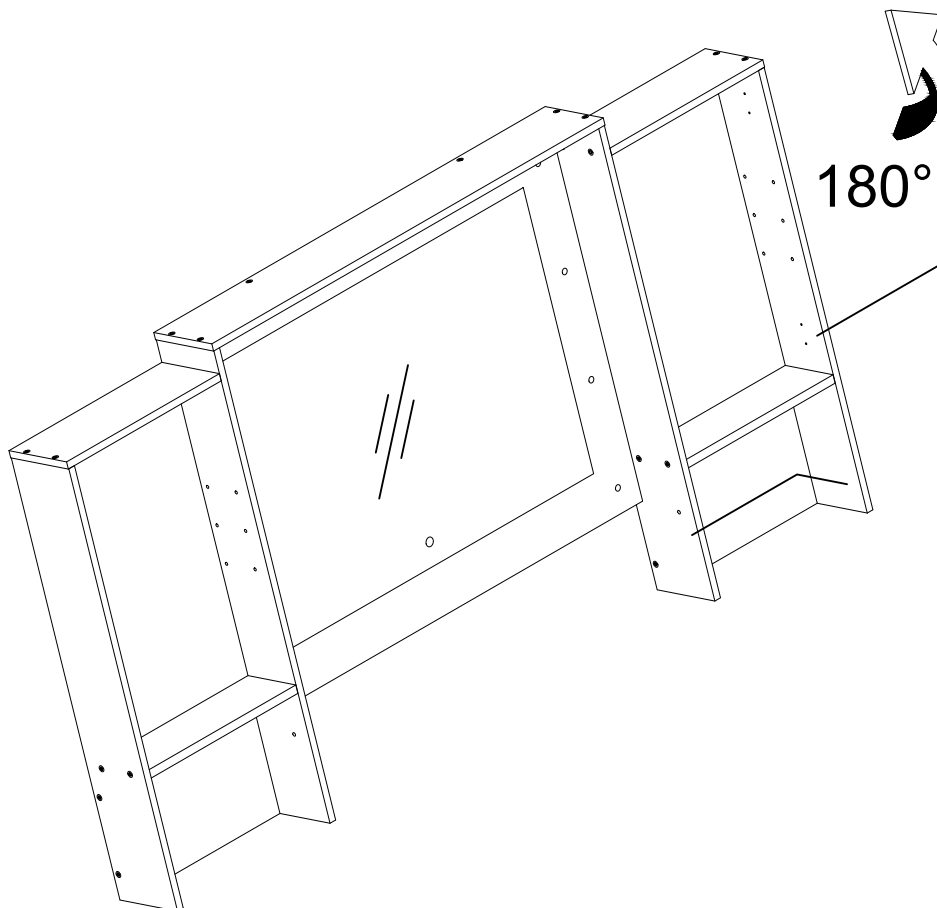
INSTALLATION INSTRUCTION

STEP11



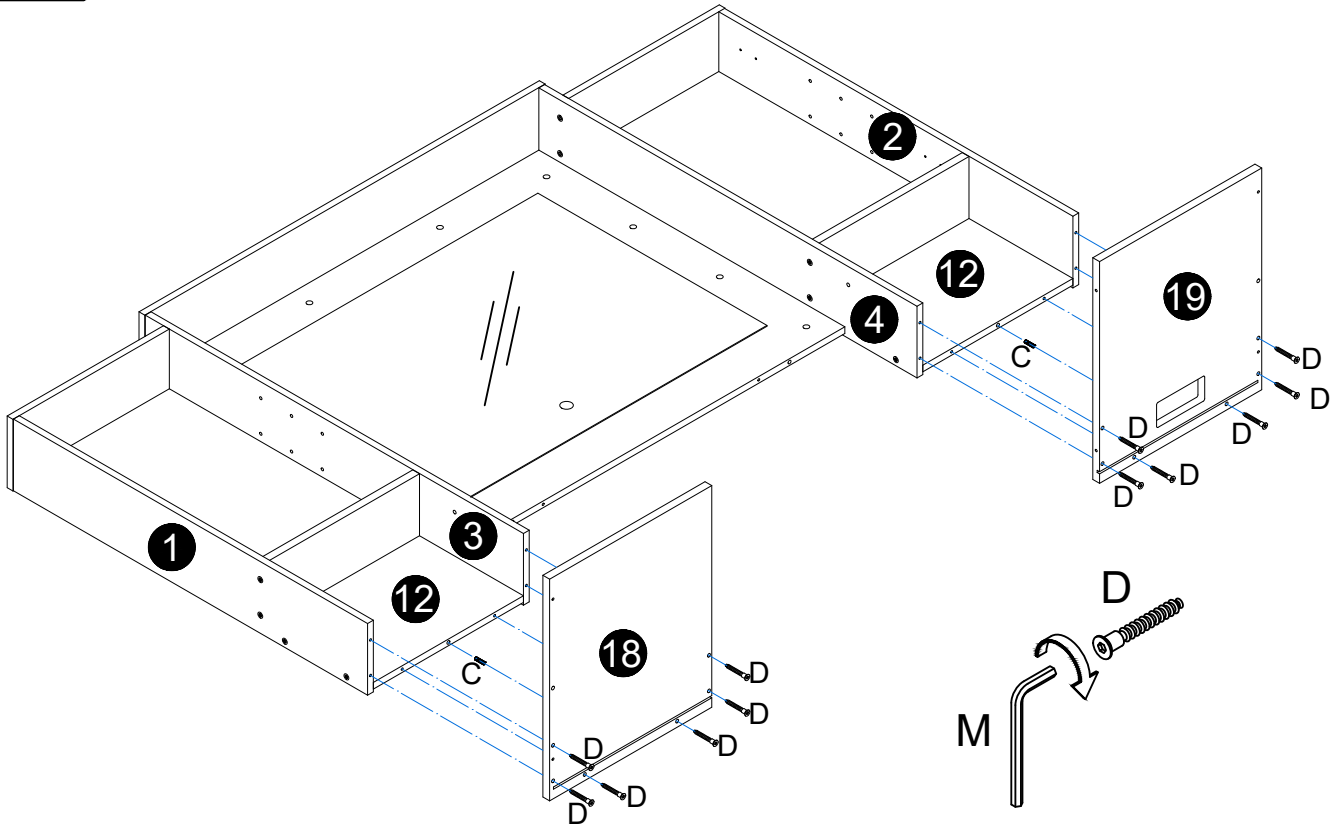
- | | |
|---|----------|
|  | C. x4PCS |
|  | D. x6PCS |



STEP12



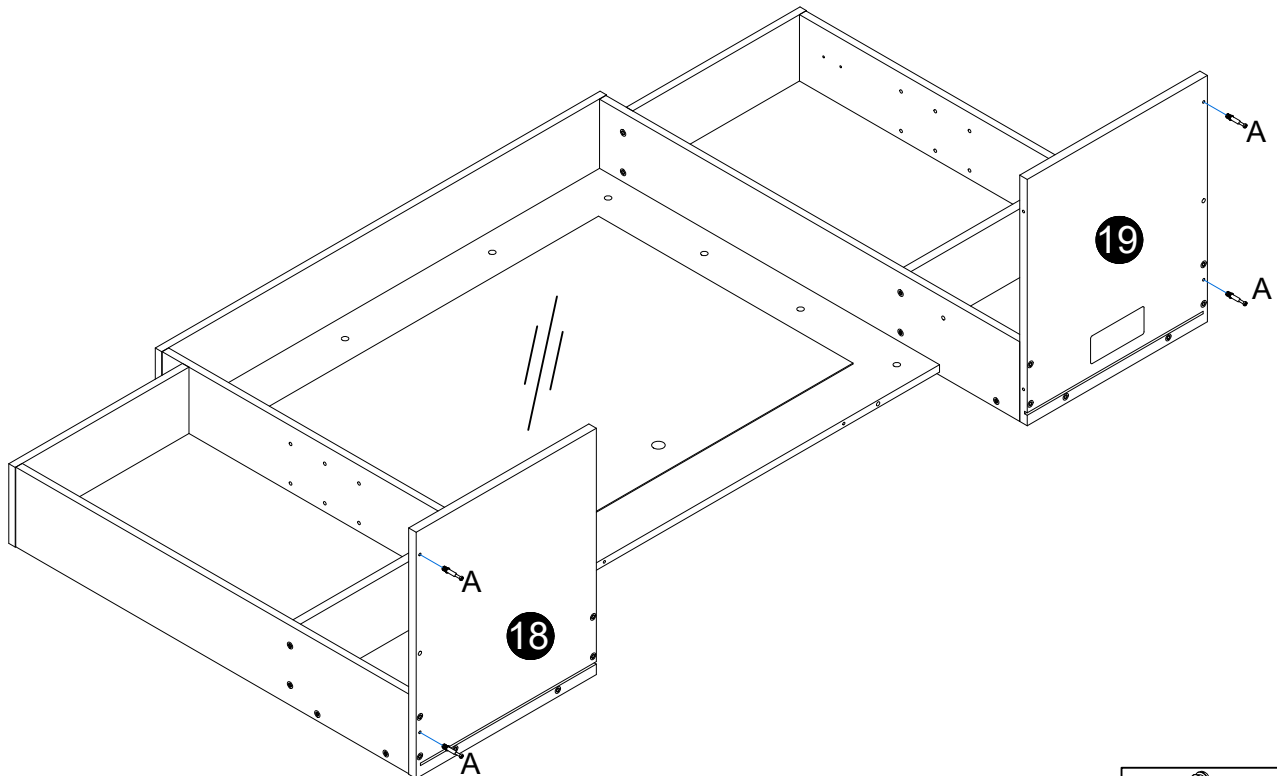
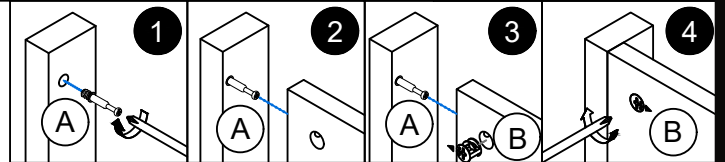
INSTALLATION INSTRUCTION


STEP13



-  C. x2PCS
-  D. x12PCS

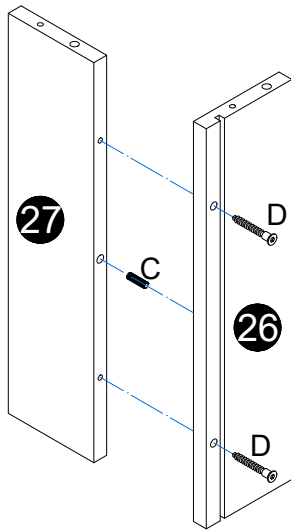
STEP14



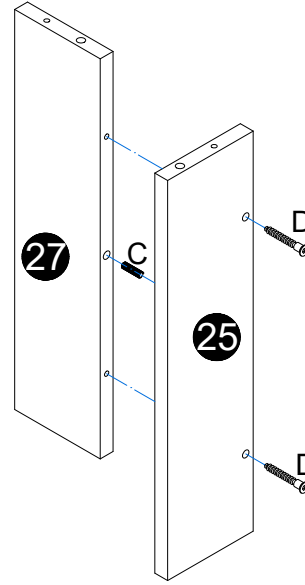
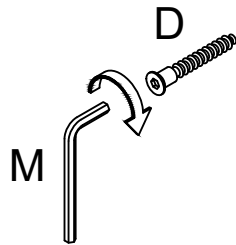
-  A. x4PCS

INSTALLATION INSTRUCTION



STEP15



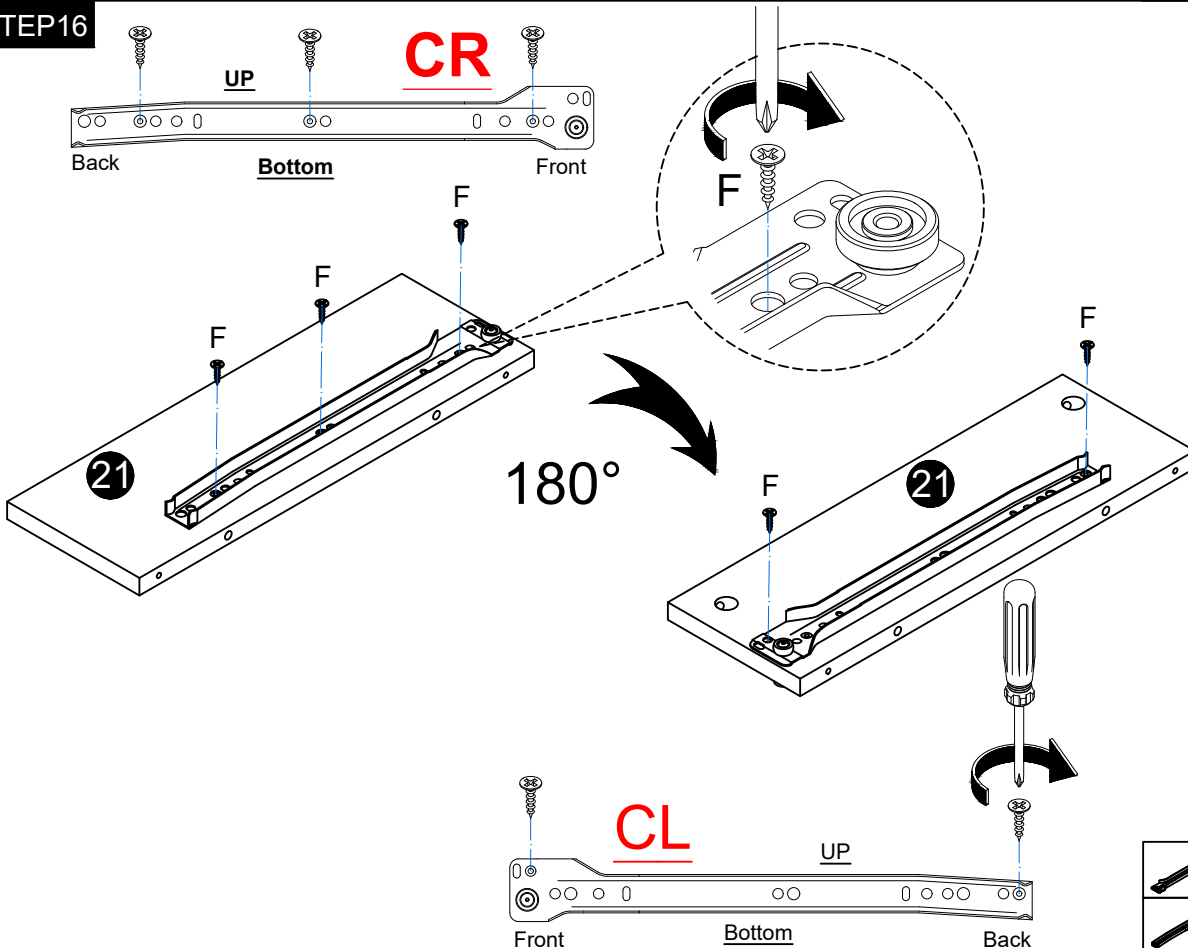
x2






x2

	C. x4PCS
	D. x8PCS

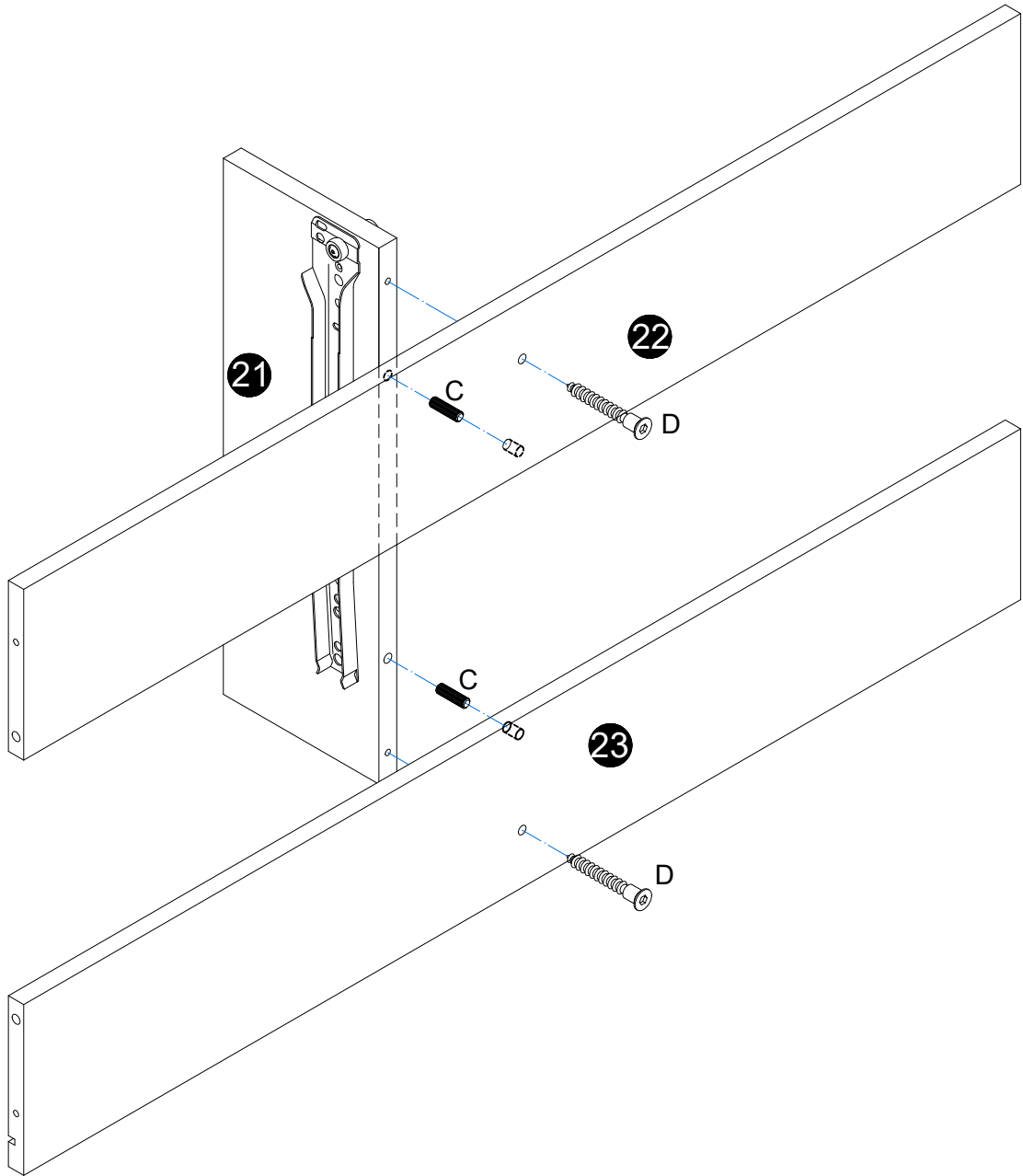
STEP16


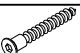


	T(CL).x1PC
	T(CR).x1PC
	F. x5PCS

INSTALLATION INSTRUCTION

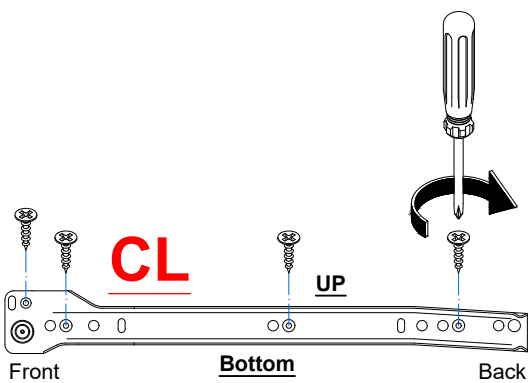
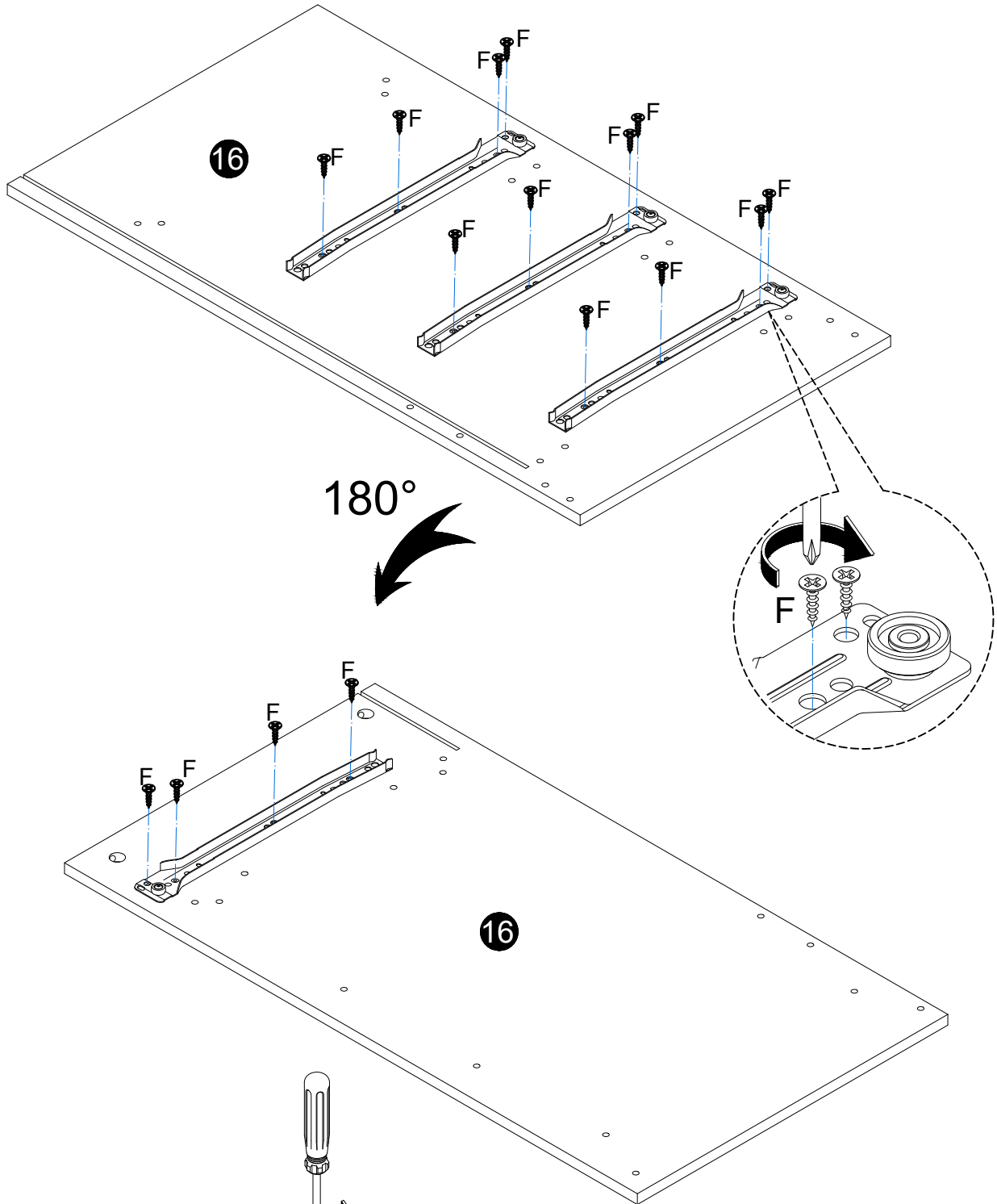
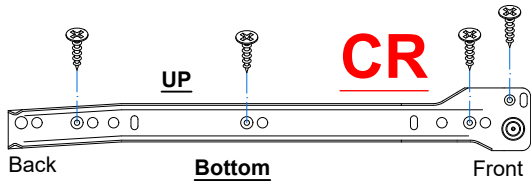
STEP 17



	C. x2PCS
	D. x2PCS

INSTALLATION INSTRUCTION

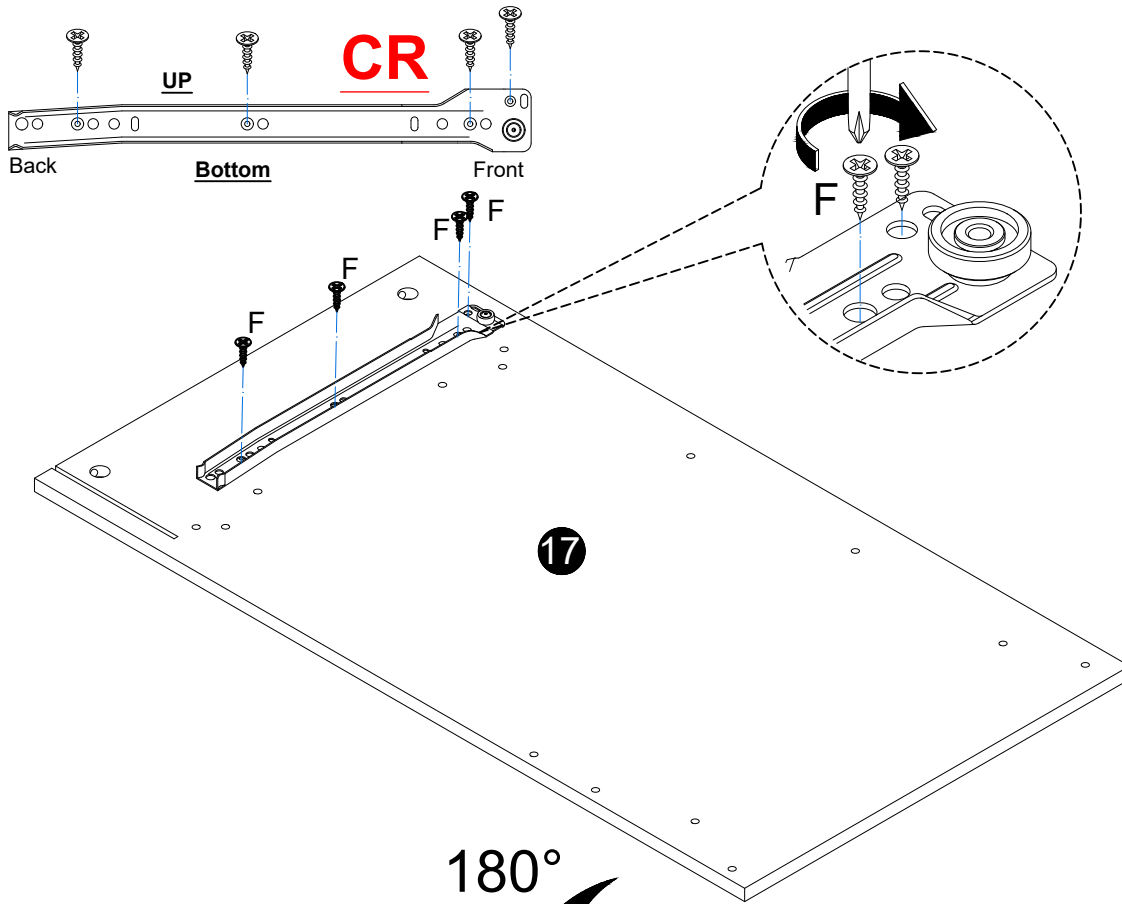
STEP18



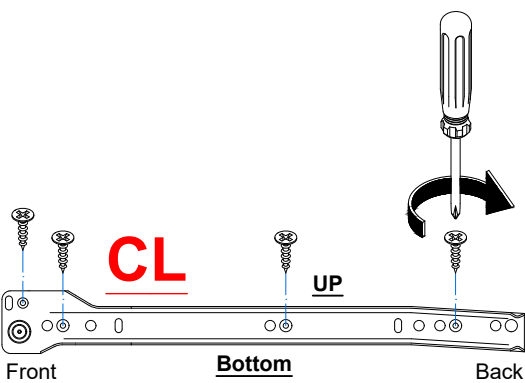
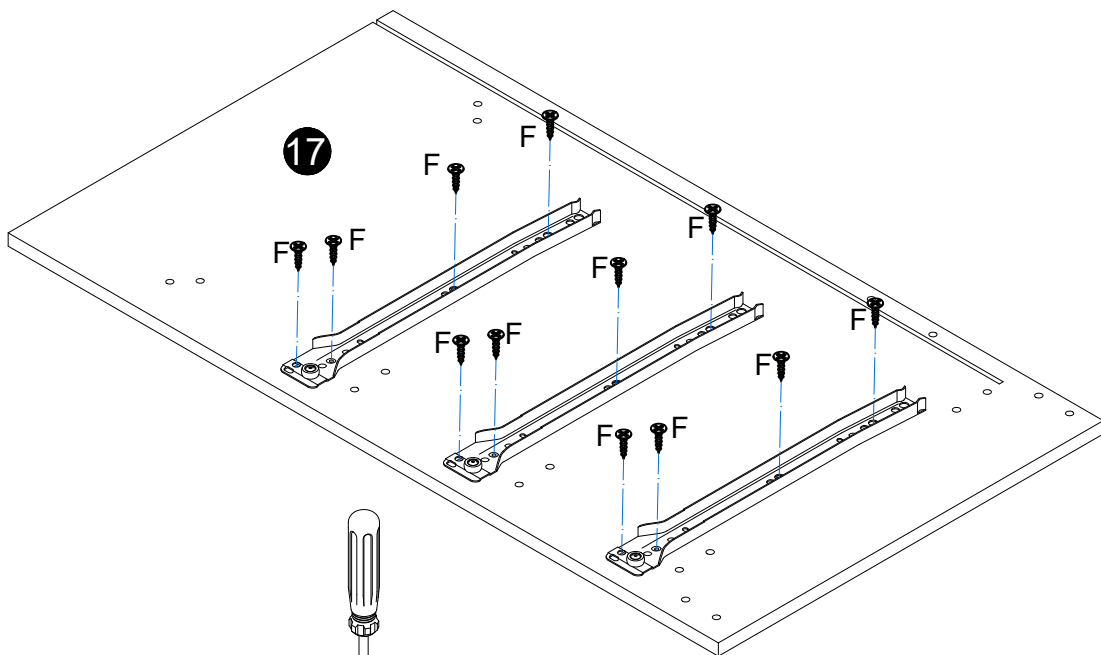
	T(CL).x1PC
	T(CR).x3PCS
	F. x16PCS

INSTALLATION INSTRUCTION

STEP 19



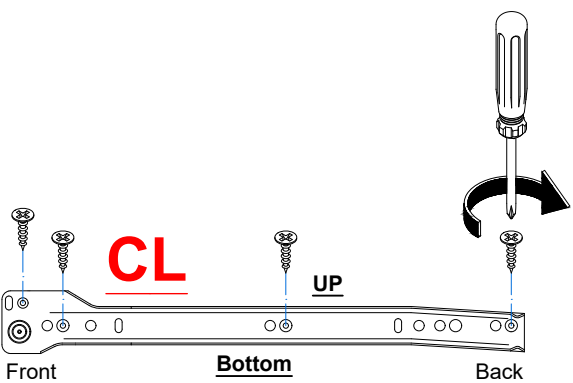
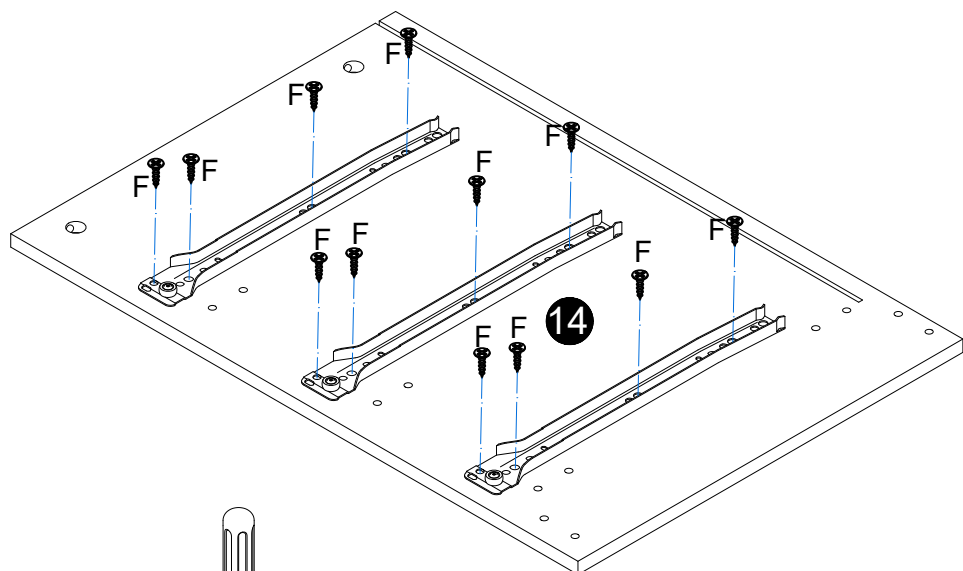
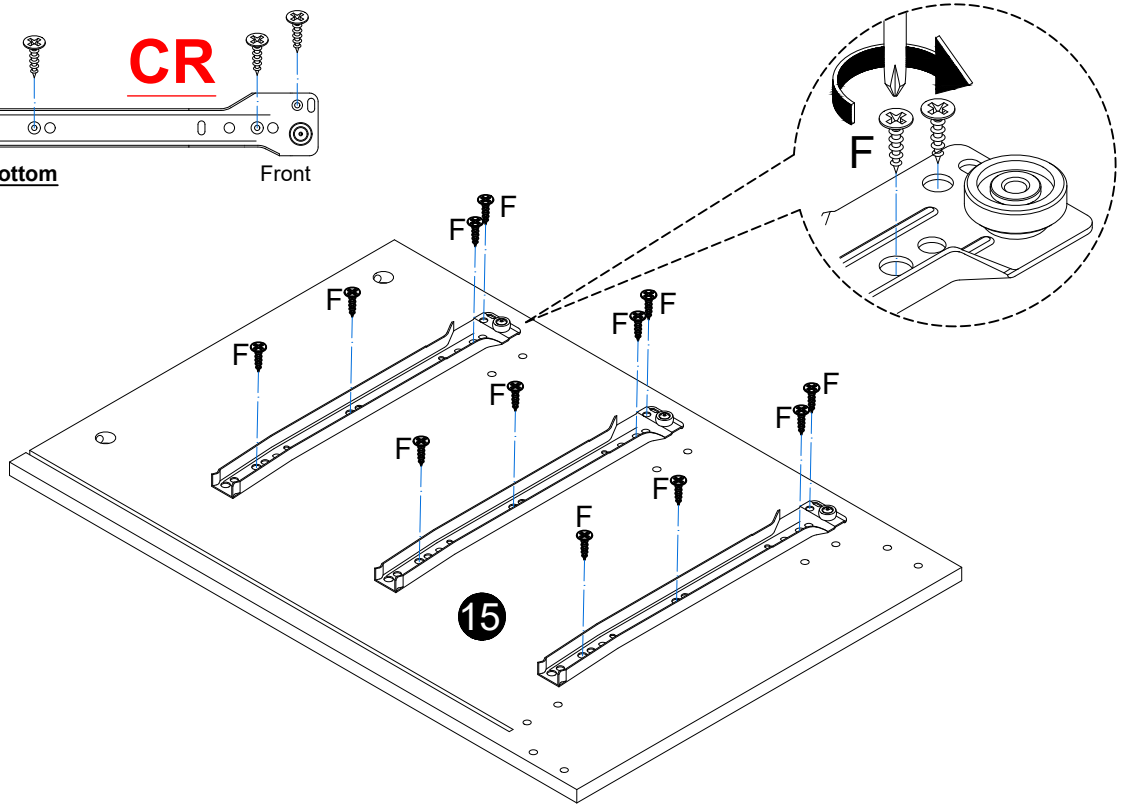
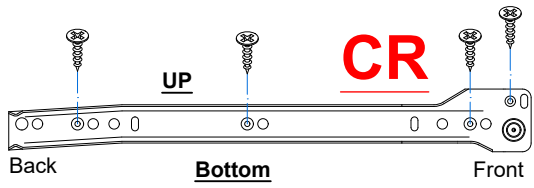
180°






- | | |
|--|-------------|
| | T(CL).x3PCS |
| | T(CR).x1PC |
| | F. x16PCS |

INSTALLATION INSTRUCTION

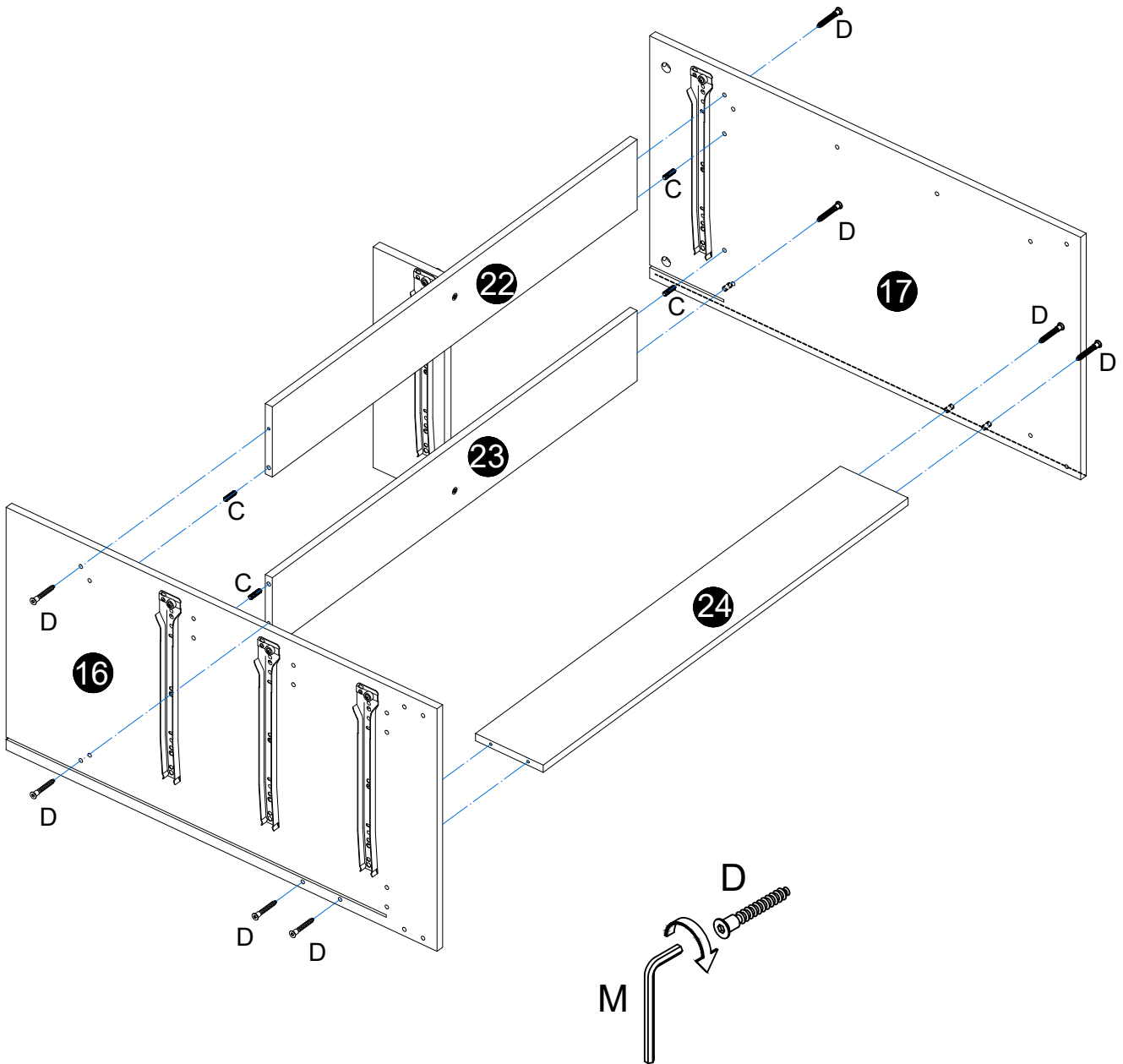
STEP20


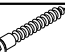


-  T(CL).x3PCS
-  T(CR).x3PC
-  F. x24PCS

INSTALLATION INSTRUCTION

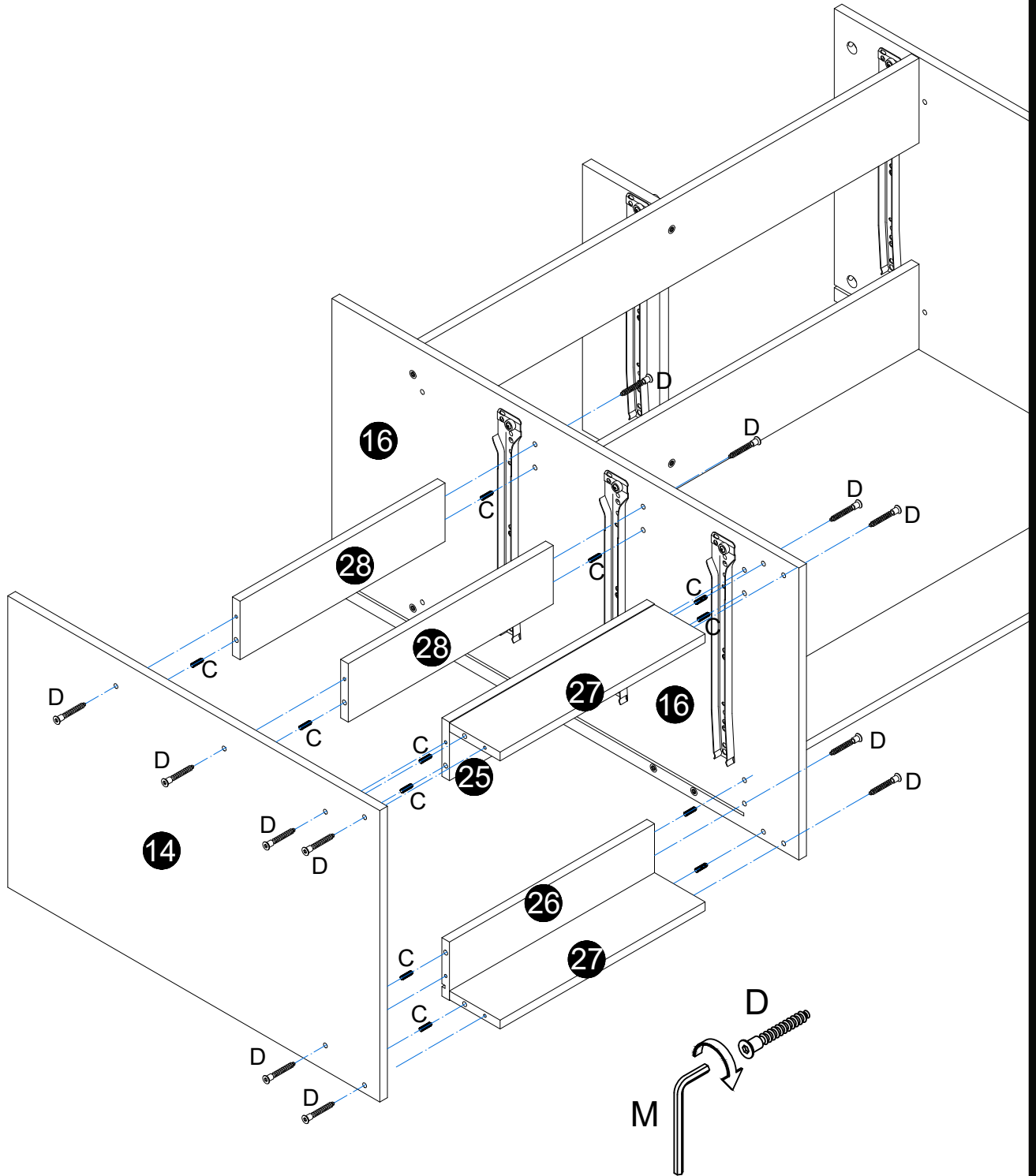
STEP21


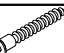


	C. x4PCS
	D. x8PCS

INSTALLATION INSTRUCTION

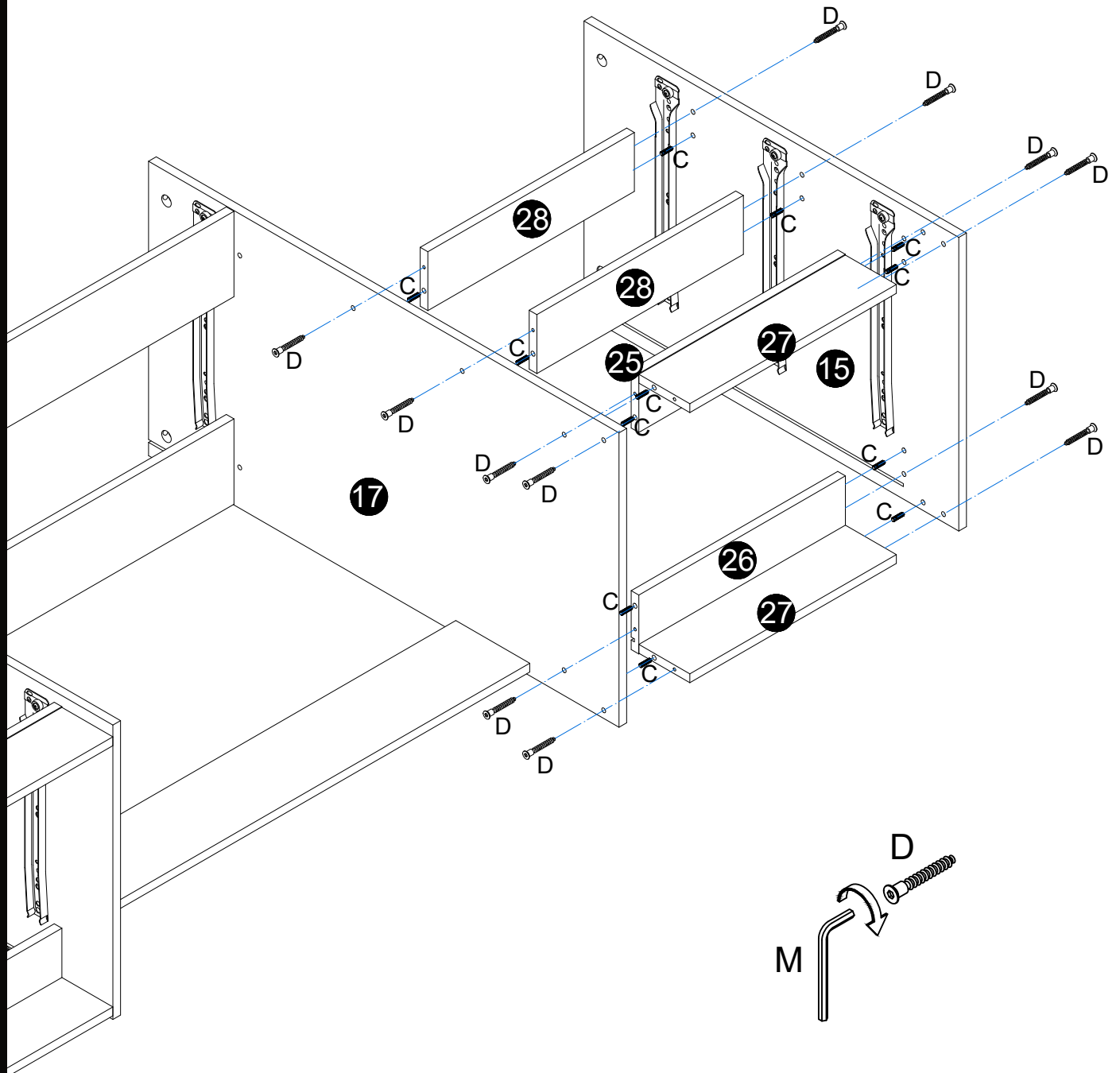
STEP 22


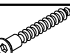


-  C. x12PCS
-  D. x12PCS

INSTALLATION INSTRUCTION

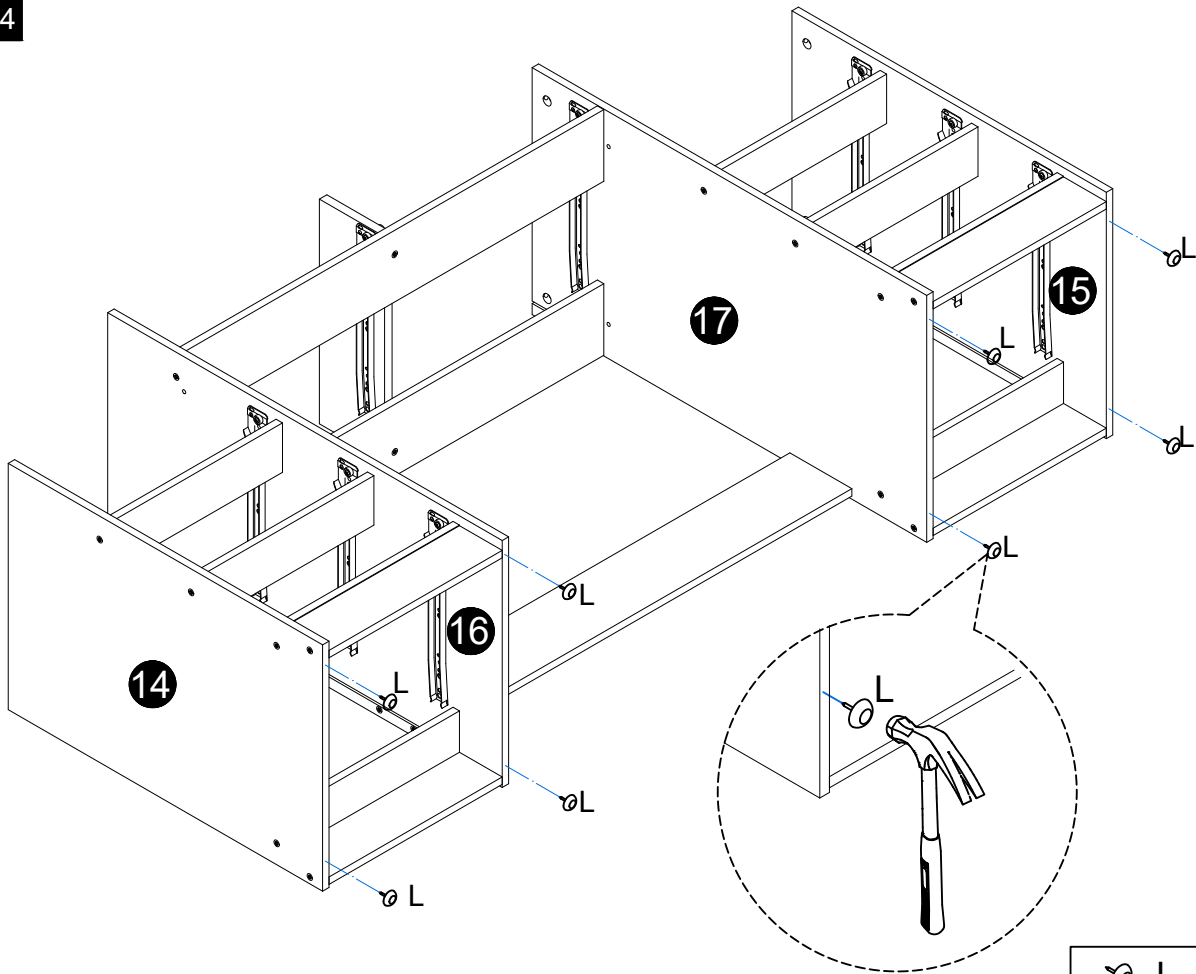
STEP23



	C. x12PCS
	D. x12PCS

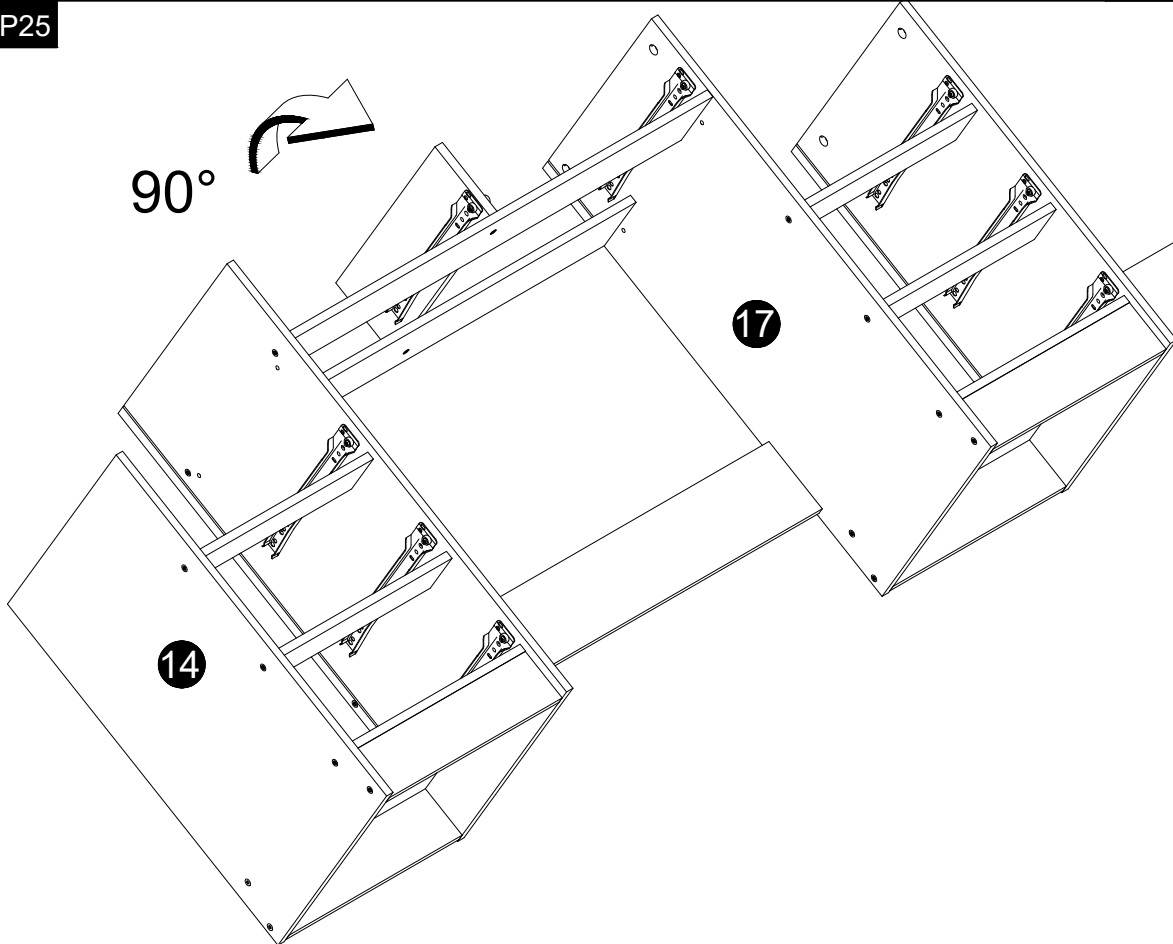
INSTALLATION INSTRUCTION

STEP24



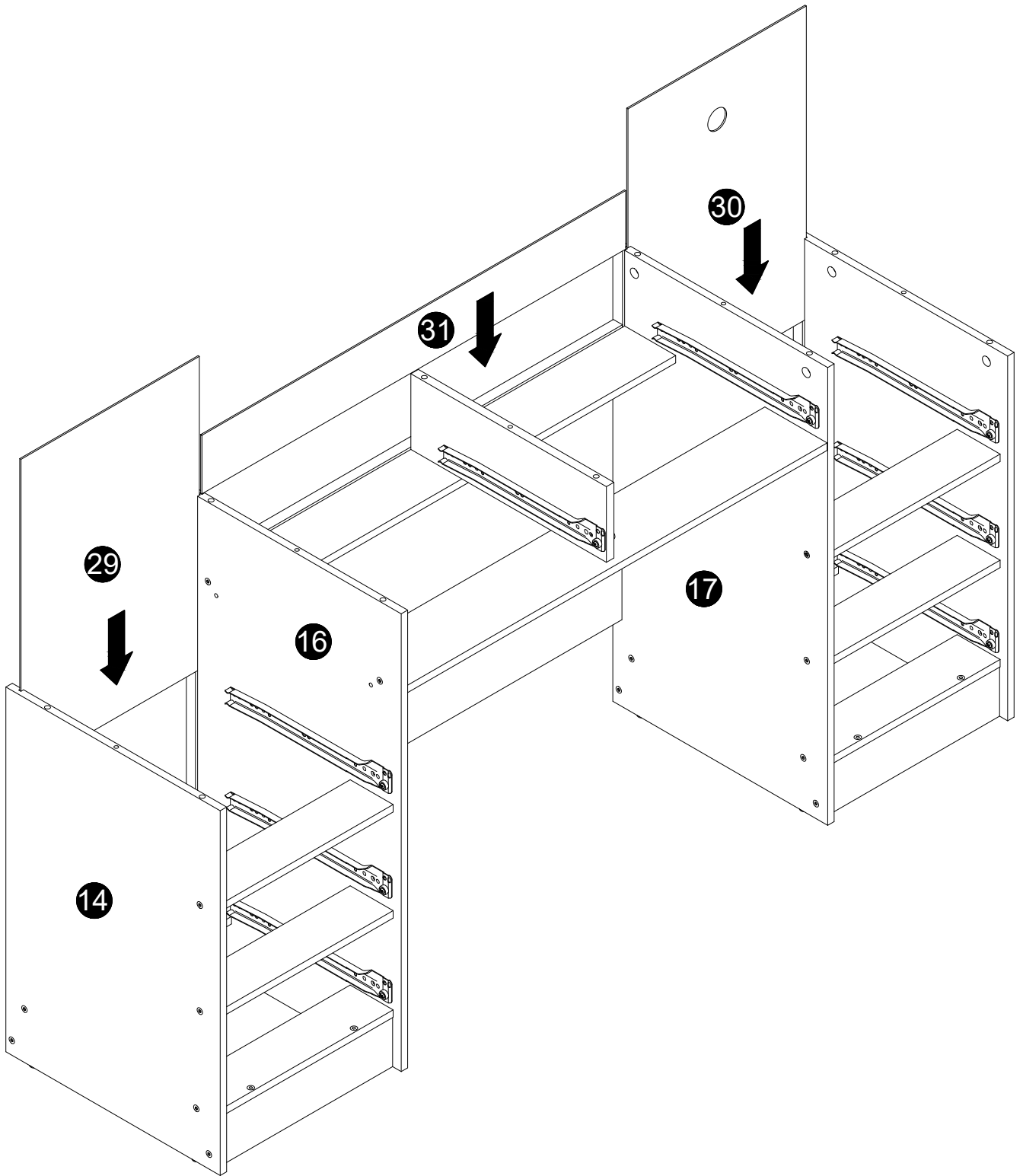
∅ L. x8PCS

STEP25



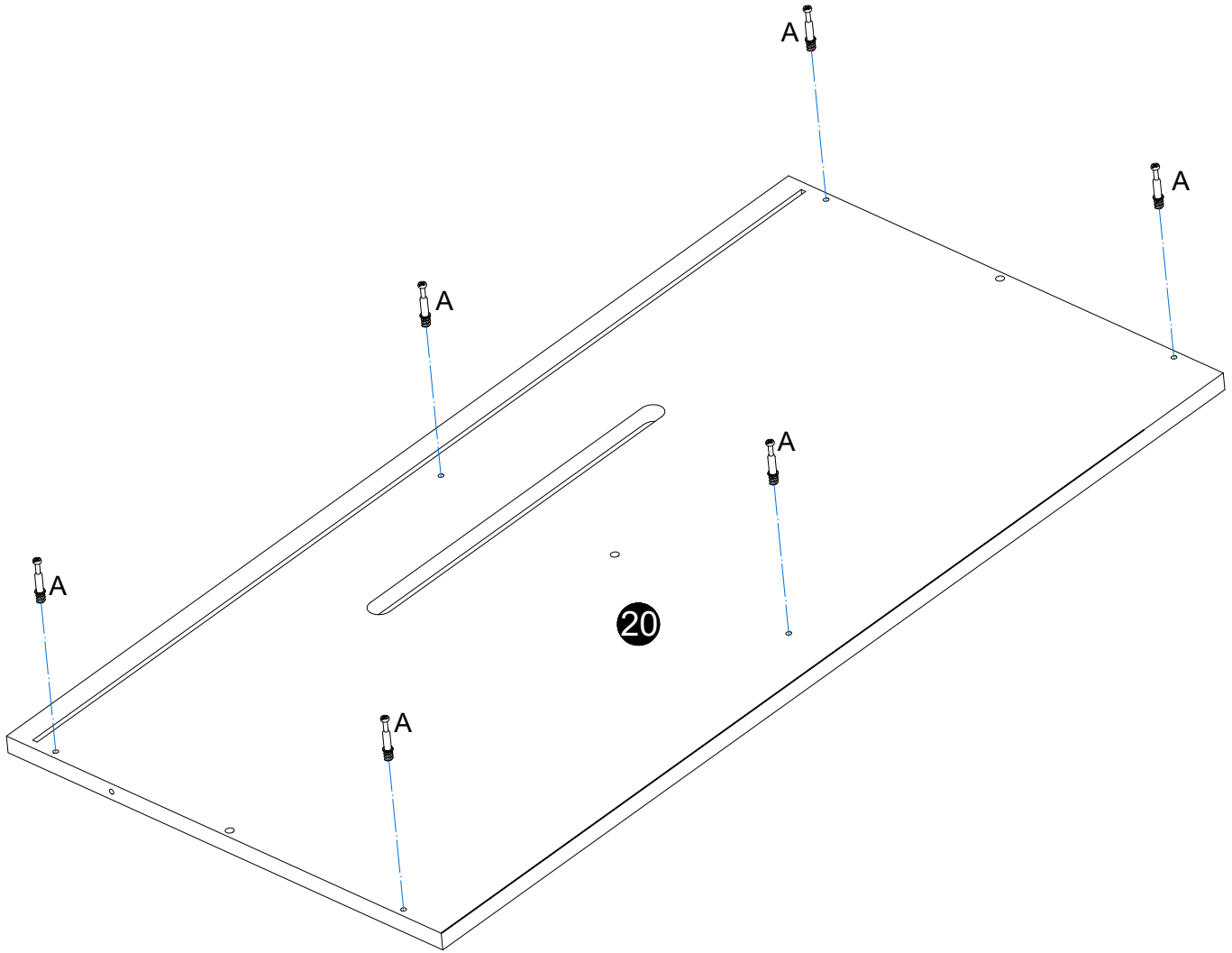
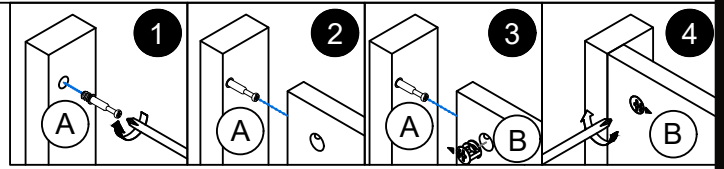
INSTALLATION INSTRUCTION


STEP 26



INSTALLATION INSTRUCTION

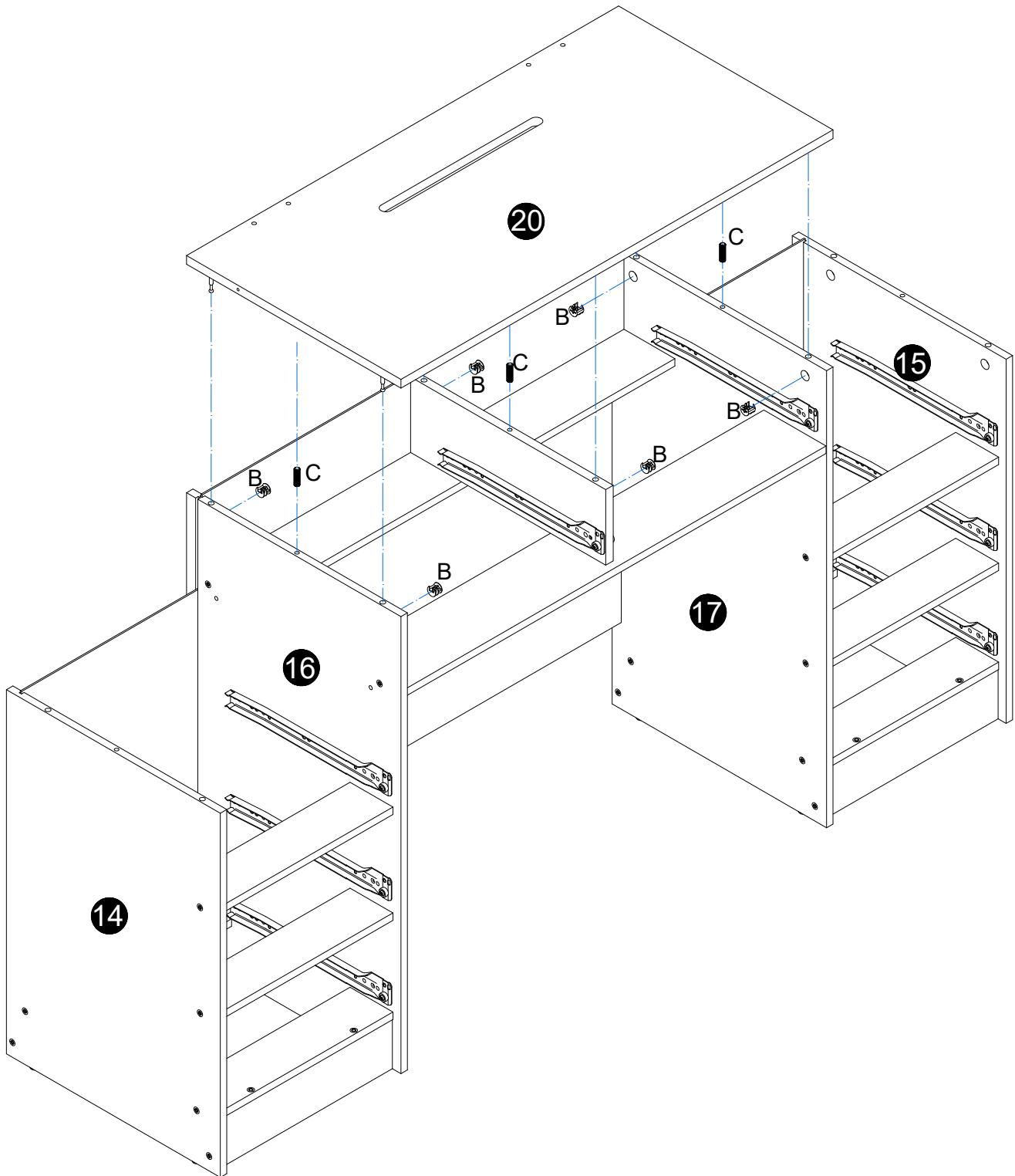
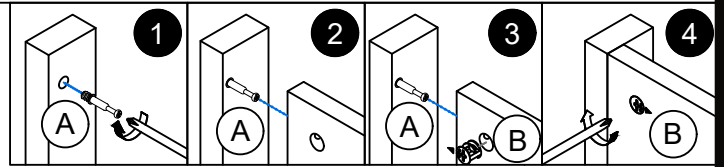
STEP27





 A. x6PCS

INSTALLATION INSTRUCTION

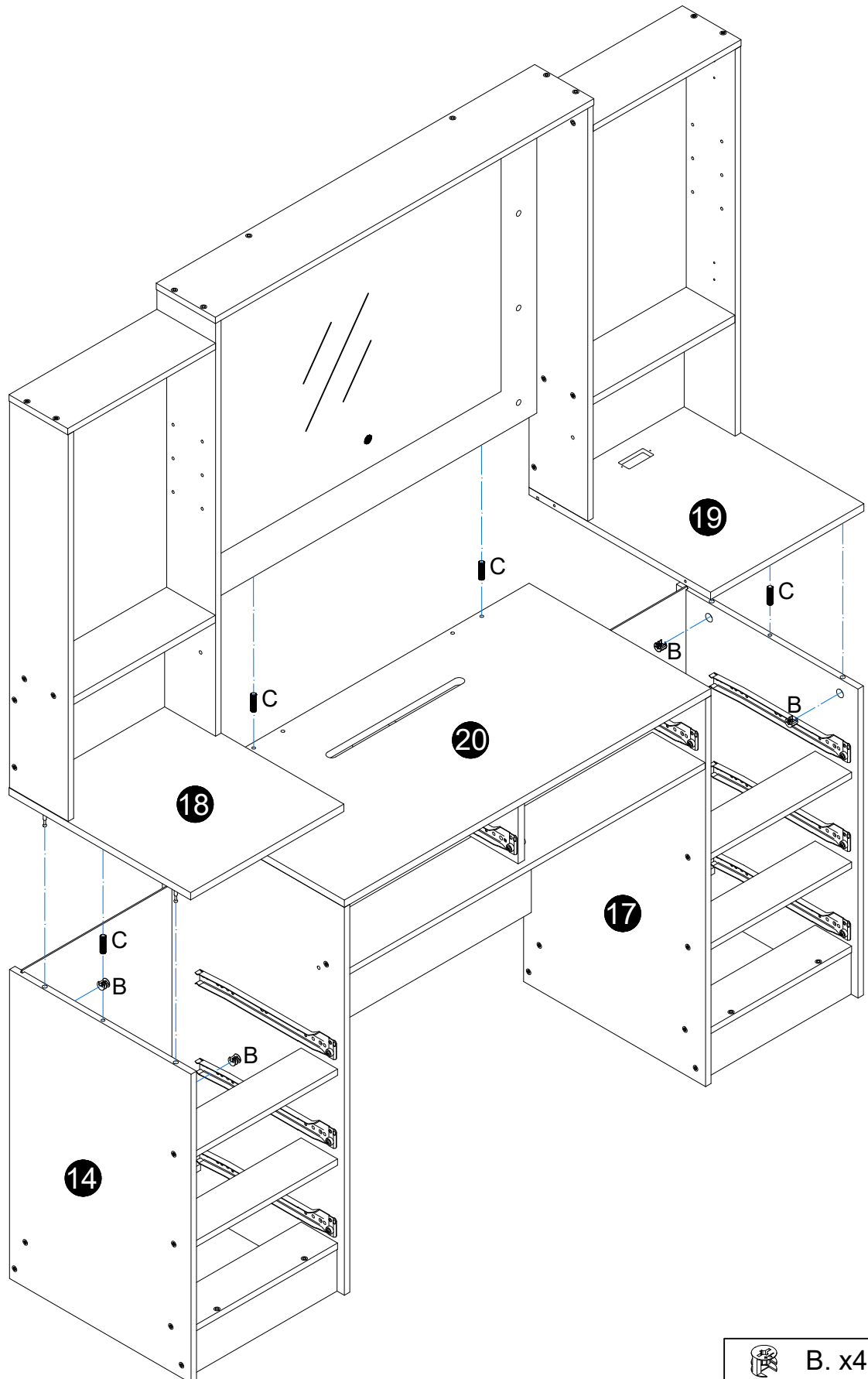
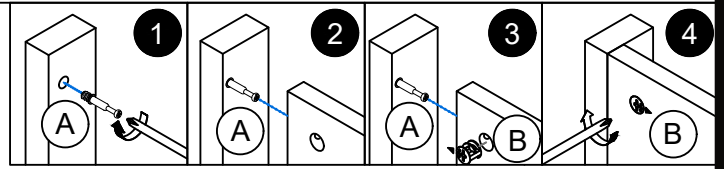
STEP 28





-  B. x6PCS
-  C. x3PCS

INSTALLATION INSTRUCTION

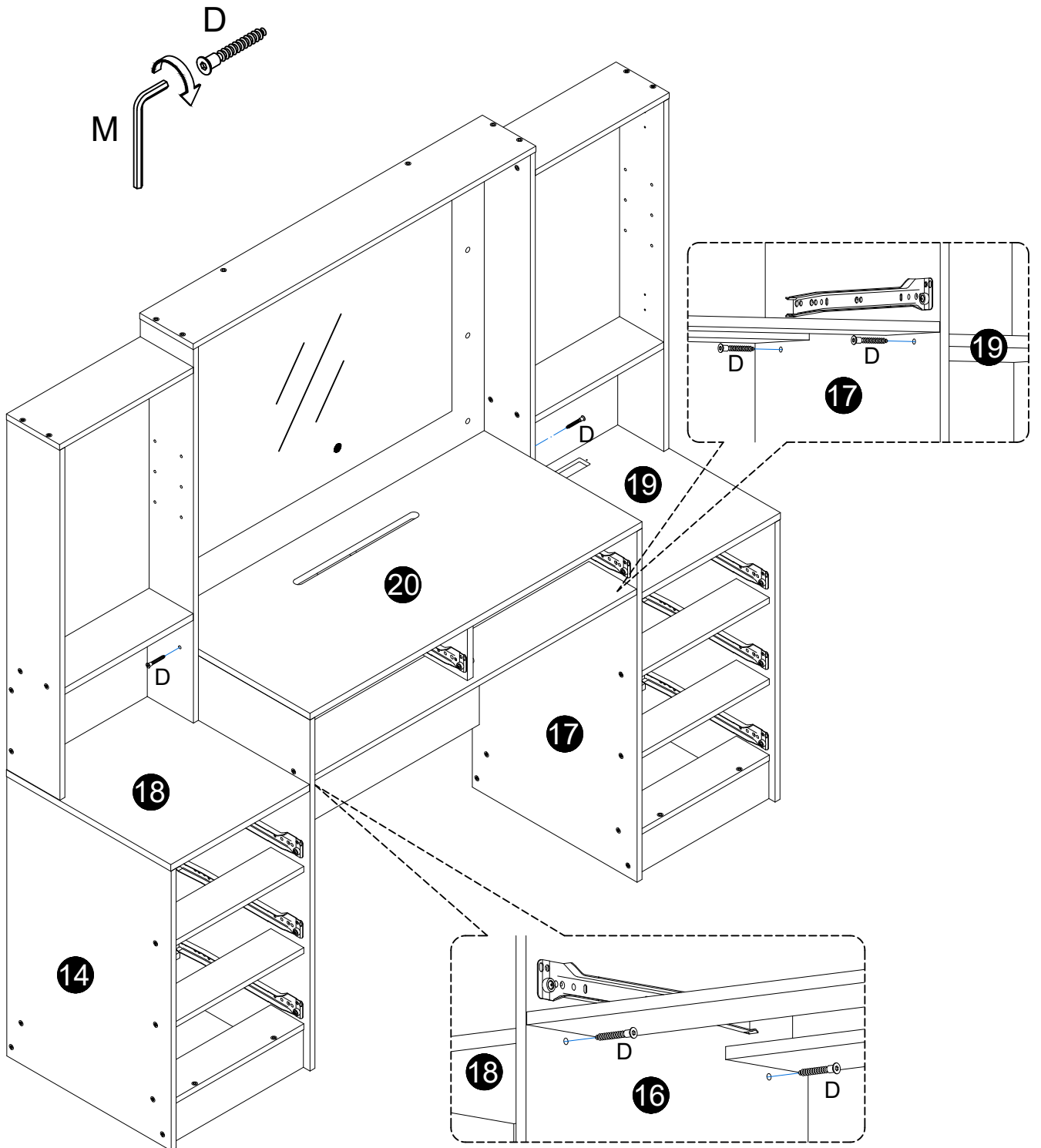
STEP 29

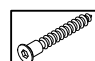


-  B. x4PCS
-  C. x4PCS

INSTALLATION INSTRUCTION

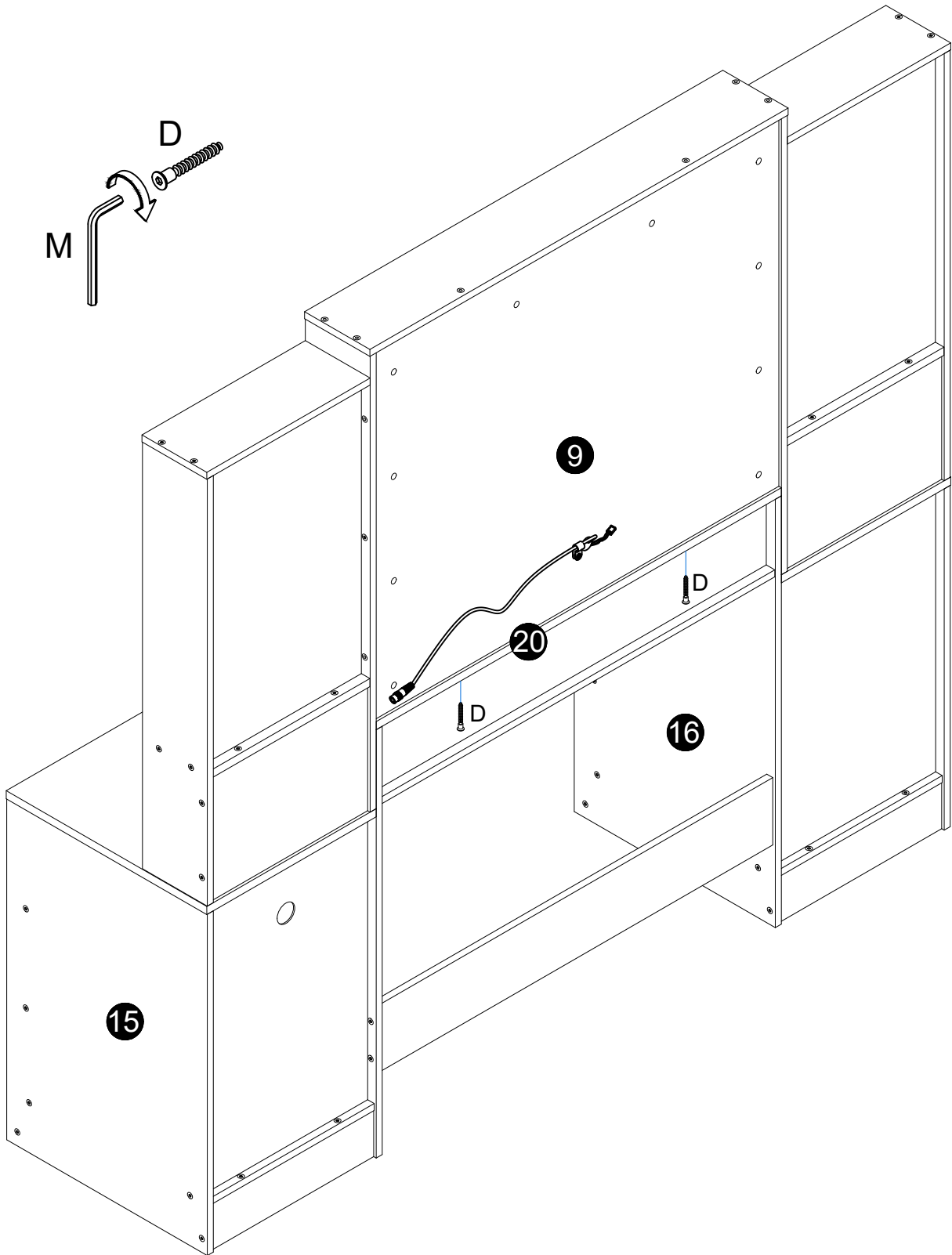
STEP30

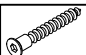


 D. x6PCS

INSTALLATION INSTRUCTION

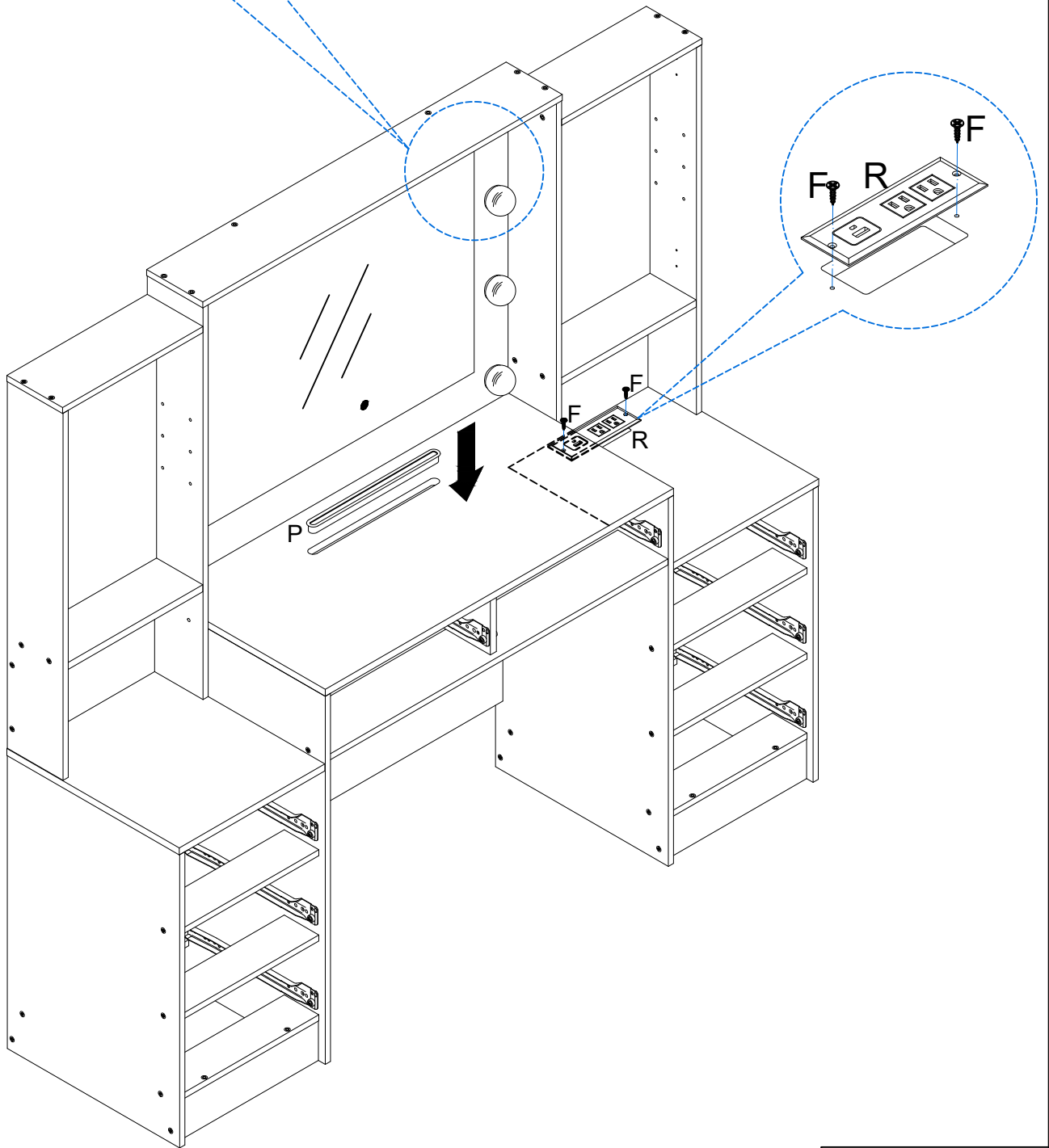
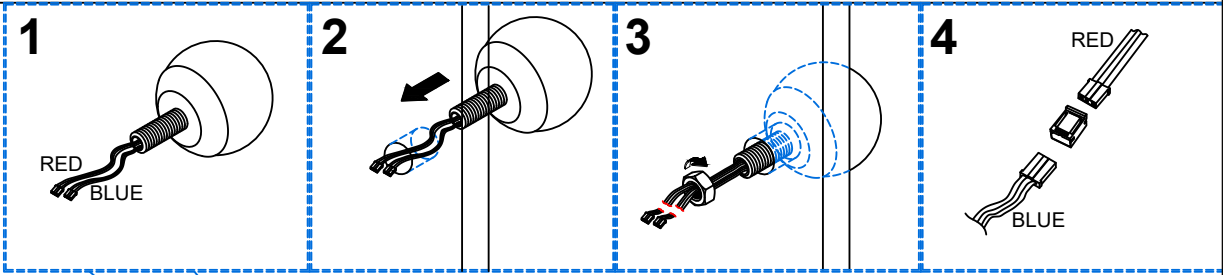
STEP31



 D. x2PCS

INSTALLATION INSTRUCTION

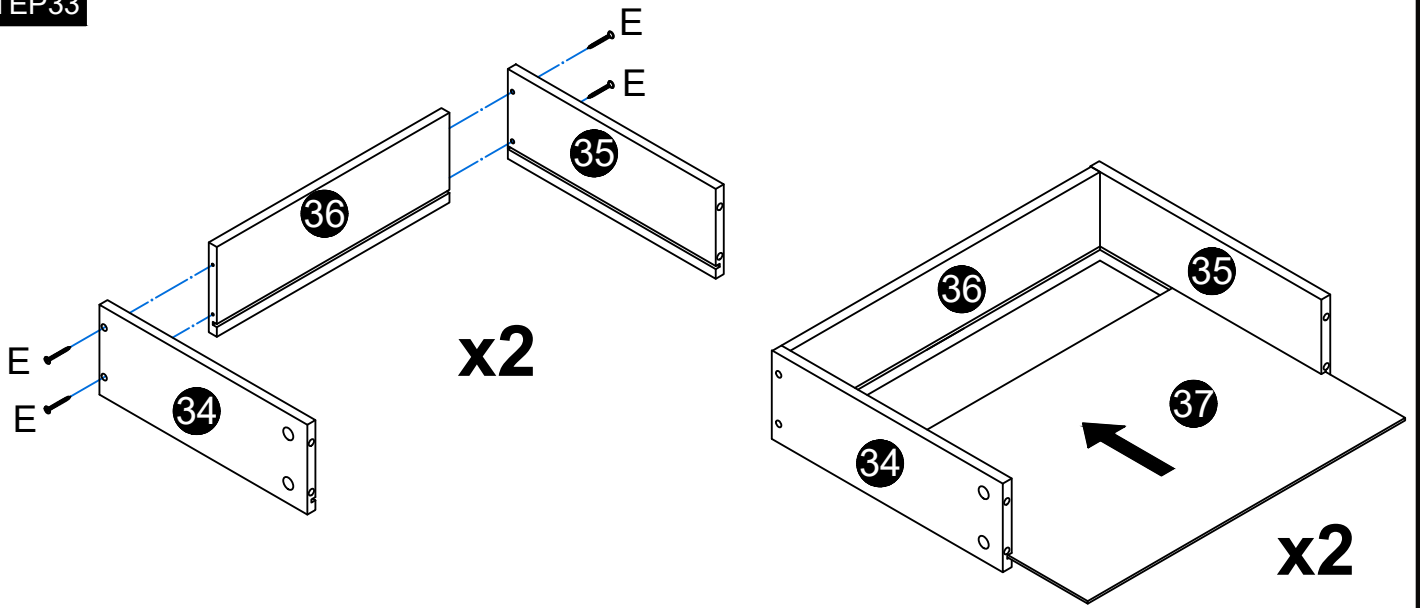
STEP32




	F. x2PCS
	R. x1PC
	P. x1PC
	Q1. x10PCS

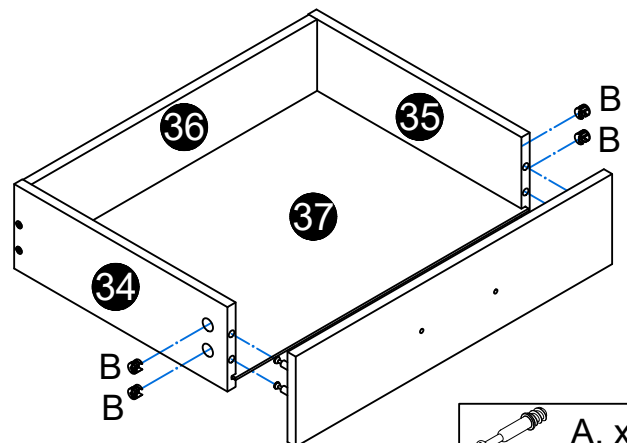
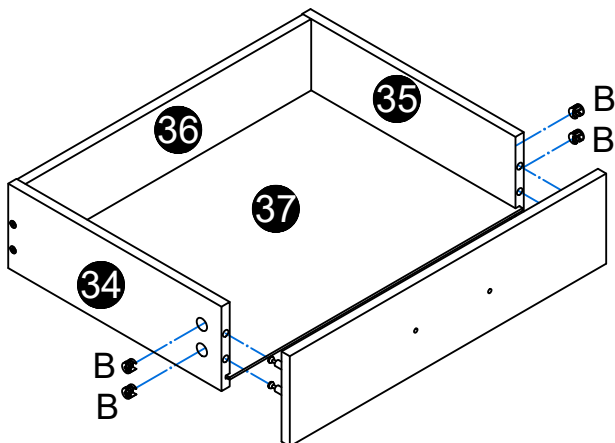
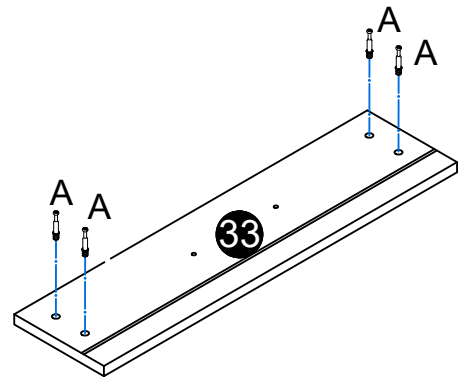
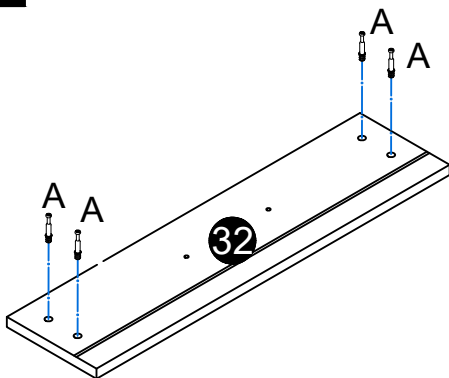
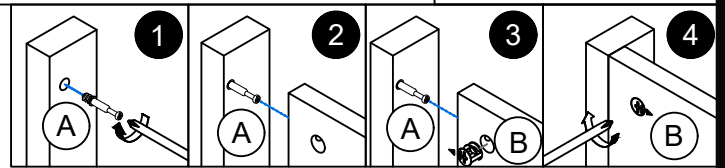
INSTALLATION INSTRUCTION



STEP33



 E. x8PCS

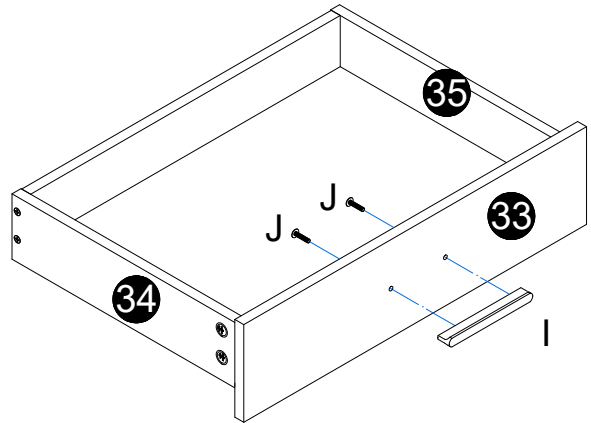
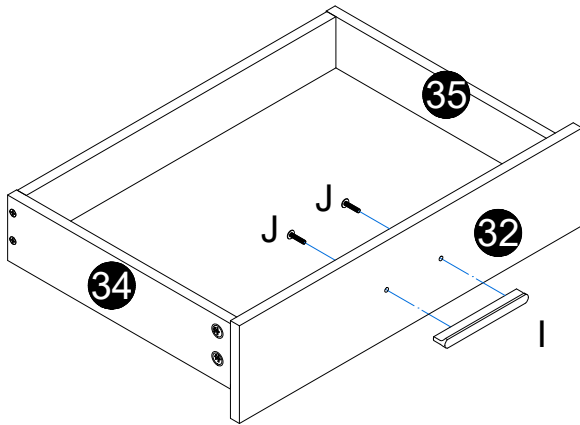
STEP34





 A. x8PCS
 B. x8PCS

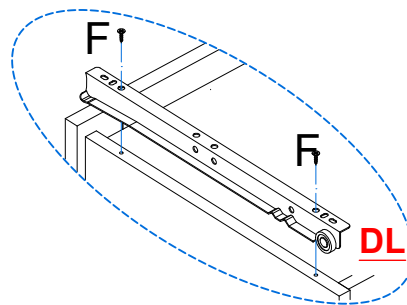
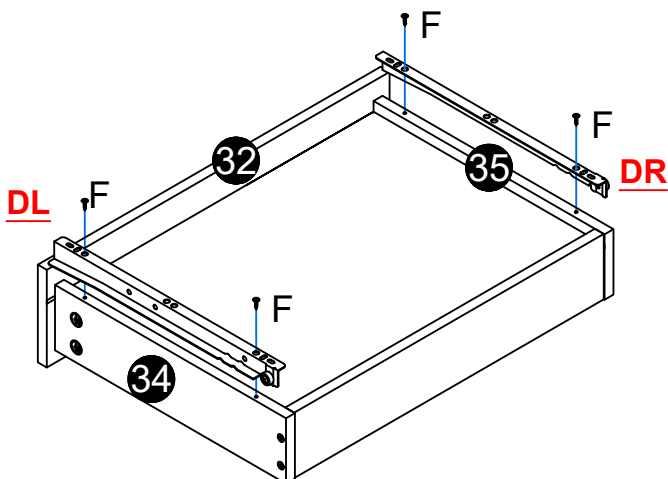
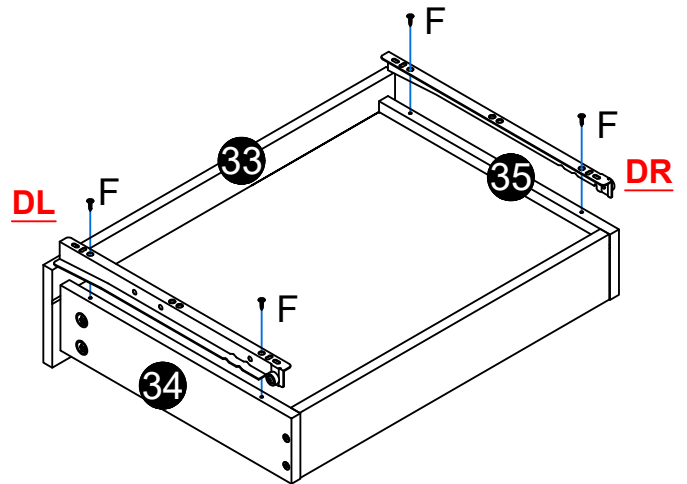
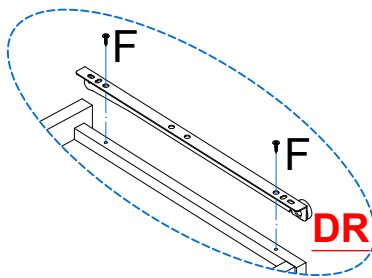
INSTALLATION INSTRUCTION




STEP35



	I. x2PCS
	J. x4PCS

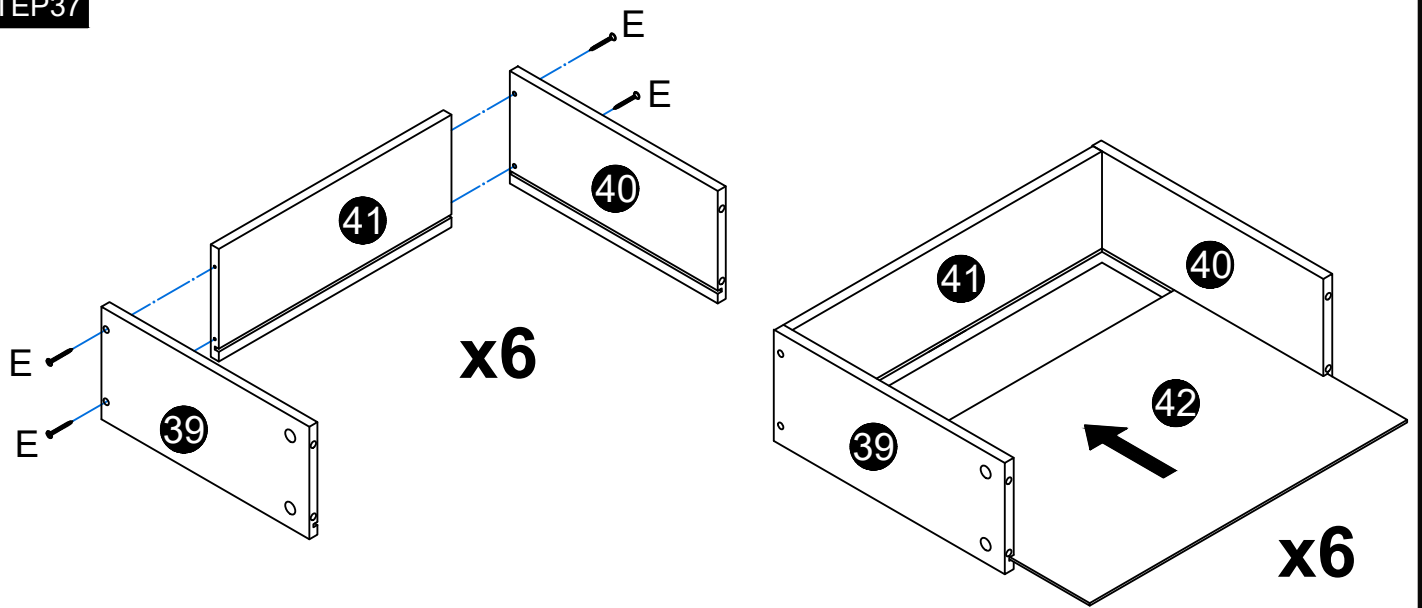
STEP36




	T(DL).x2PCS
	T(DR).x2PCS
	F. x8PCS

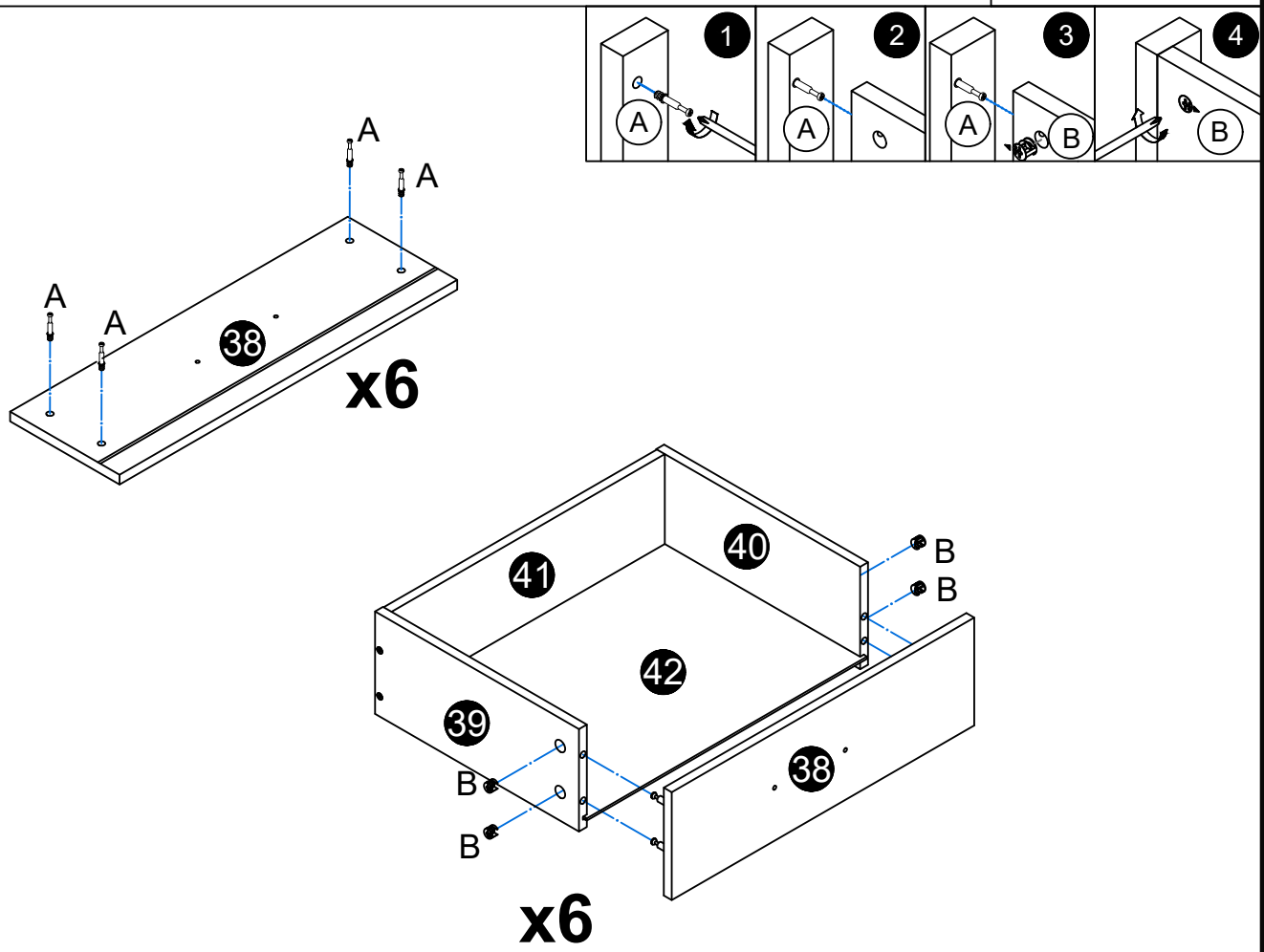
INSTALLATION INSTRUCTION



STEP37



 E. x24PCS

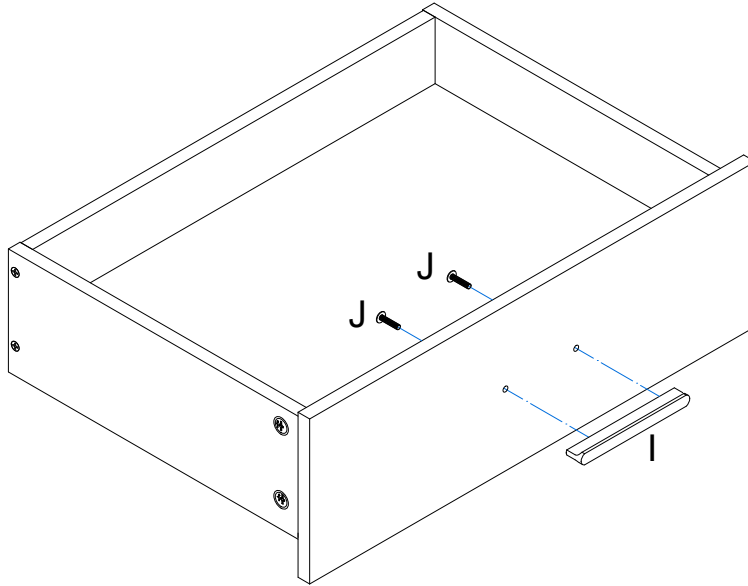
STEP38





 A. x24PCS
 B. x24PCS

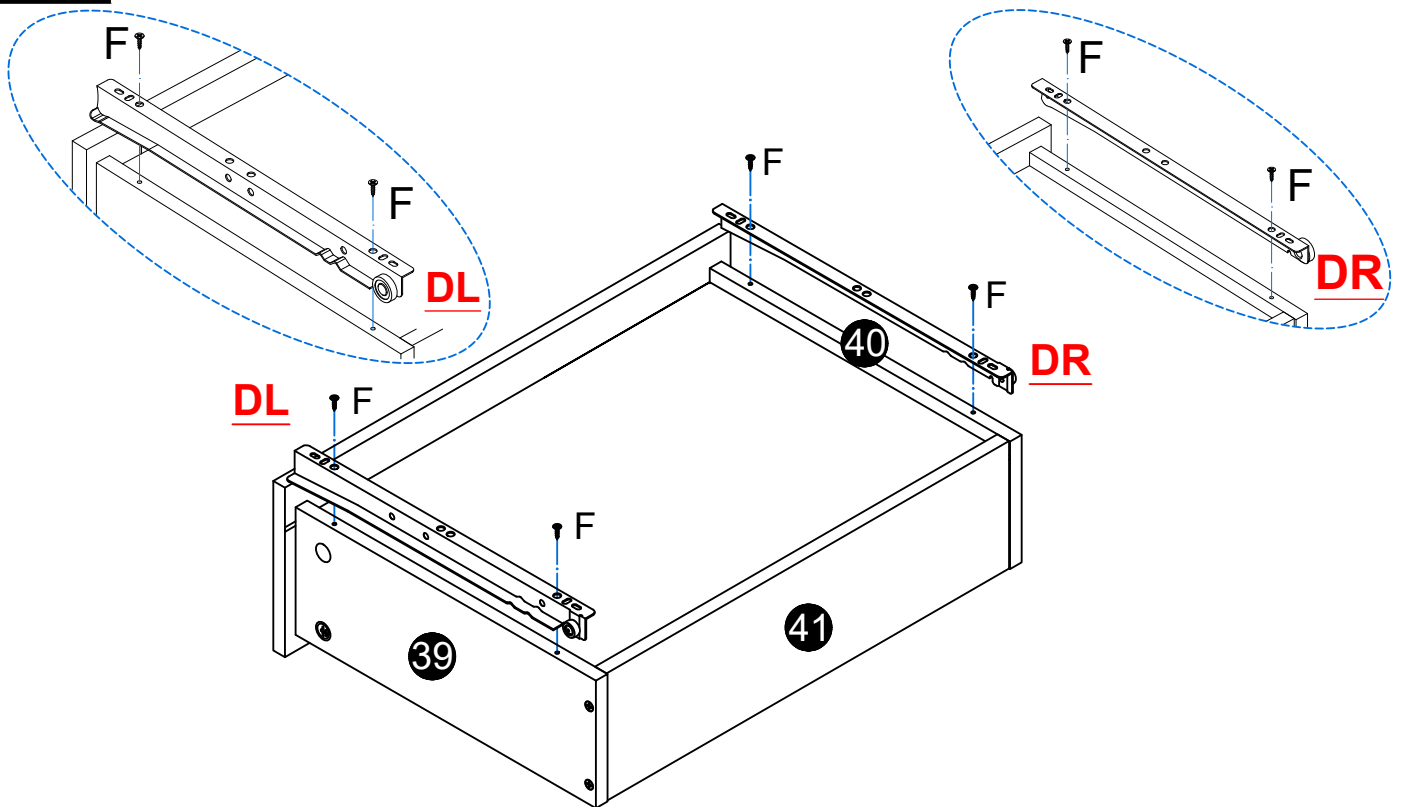
INSTALLATION INSTRUCTION




STEP39



- | | |
|---|-----------|
|  | I. x6PCS |
|  | J. x12PCS |

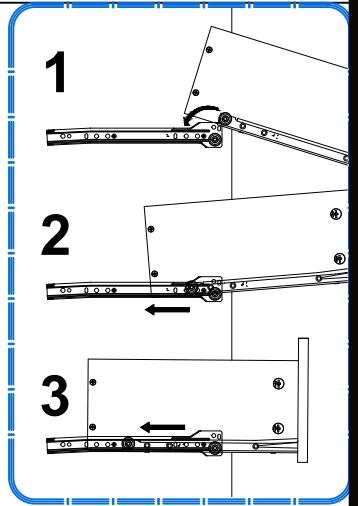
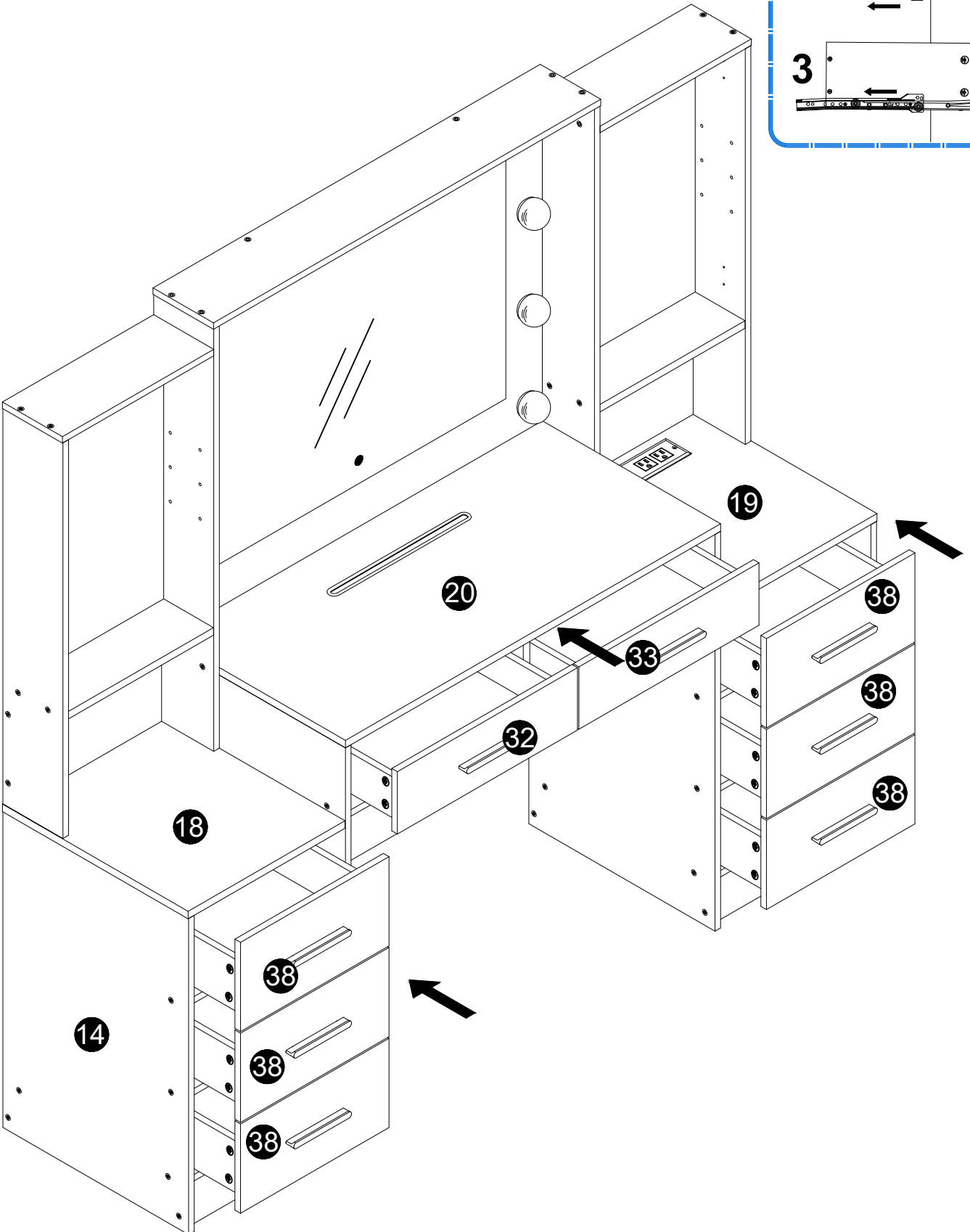
STEP40



- | | |
|---|-------------|
|  | T(DL).x6PCS |
|  | T(DR).x6PCS |
|  | F. x24PCS |

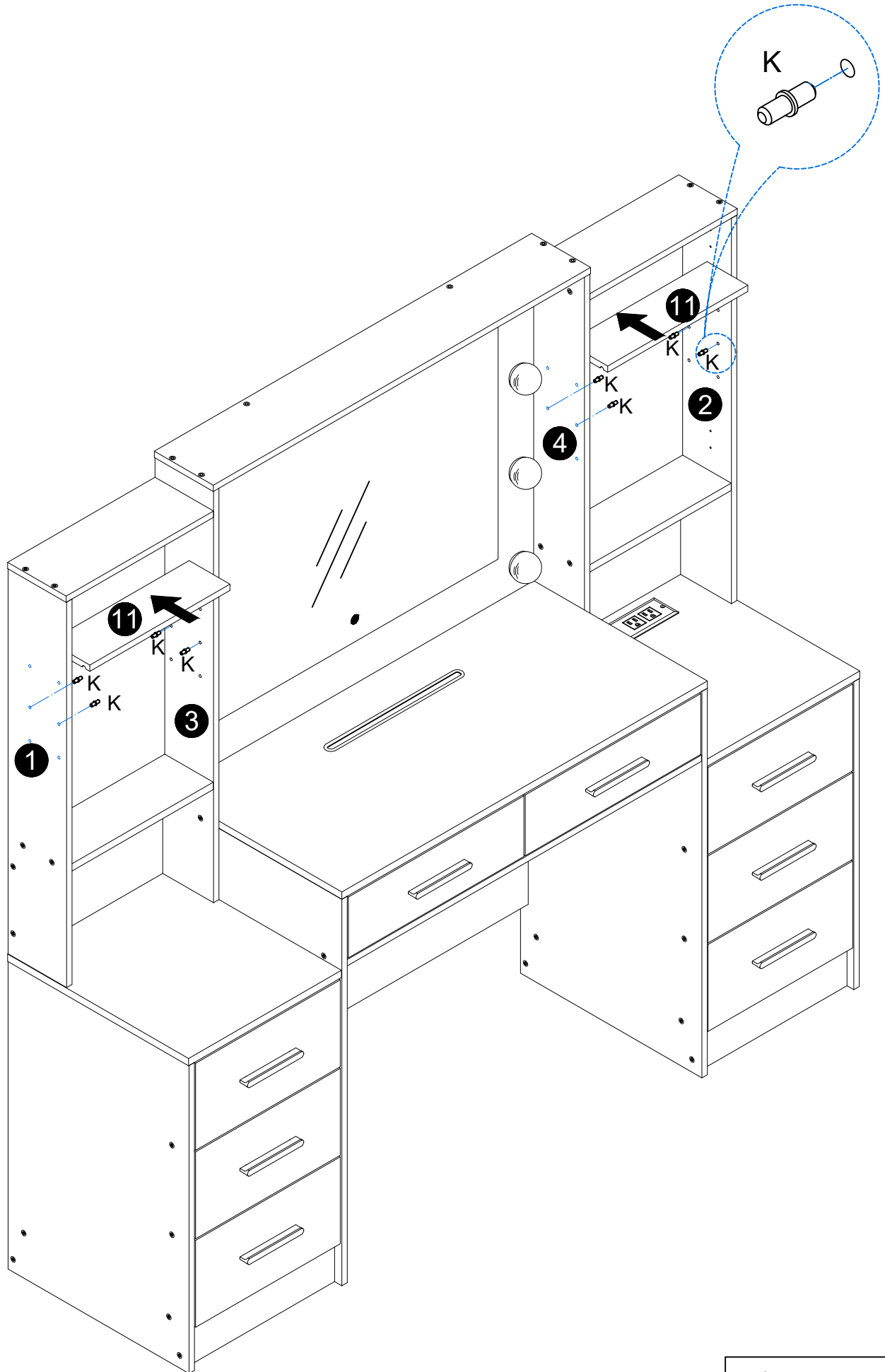
INSTALLATION INSTRUCTION

STEP 41



INSTALLATION INSTRUCTION

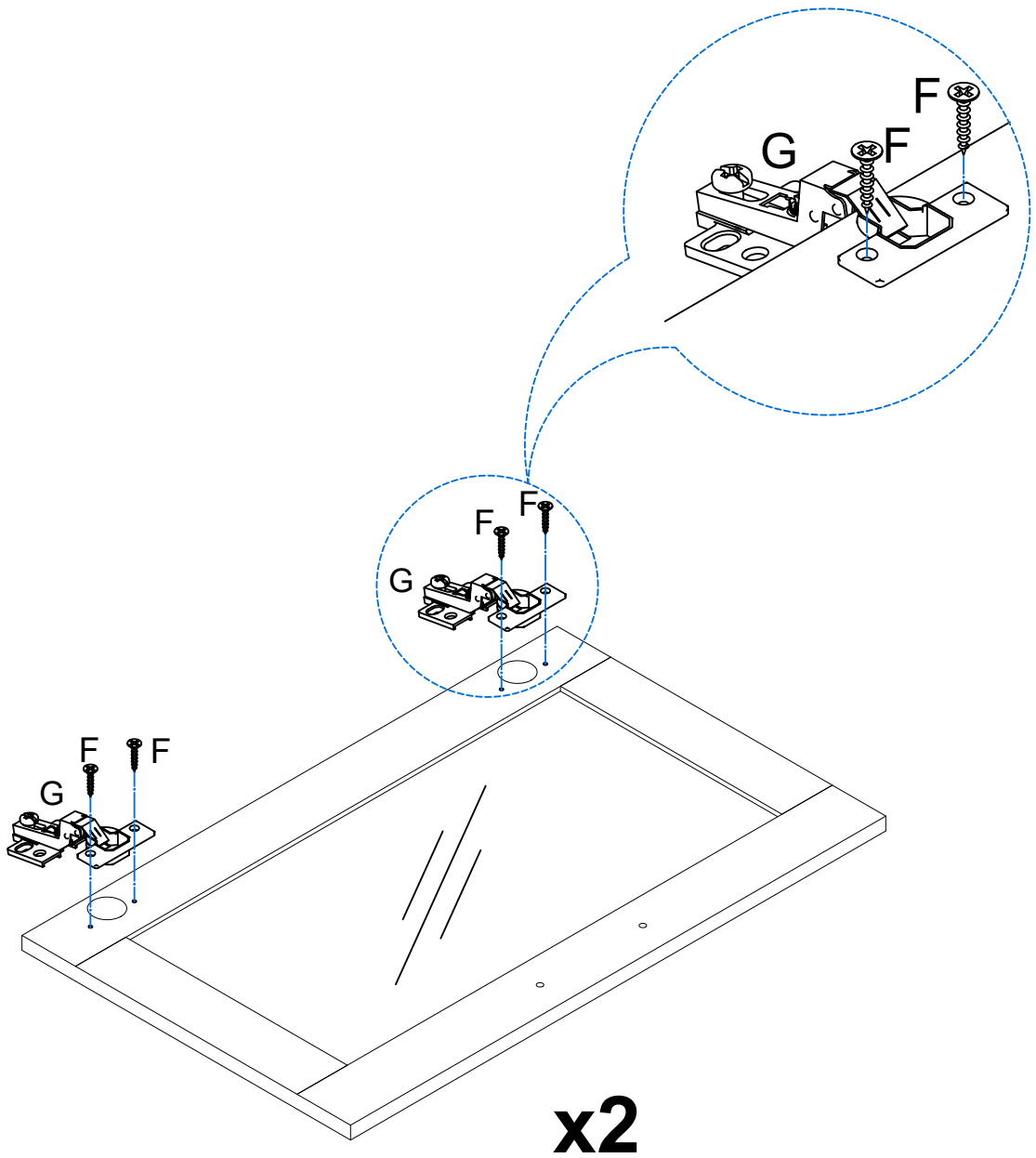
STEP 42





K.x8PCS

INSTALLATION INSTRUCTION

STEP43

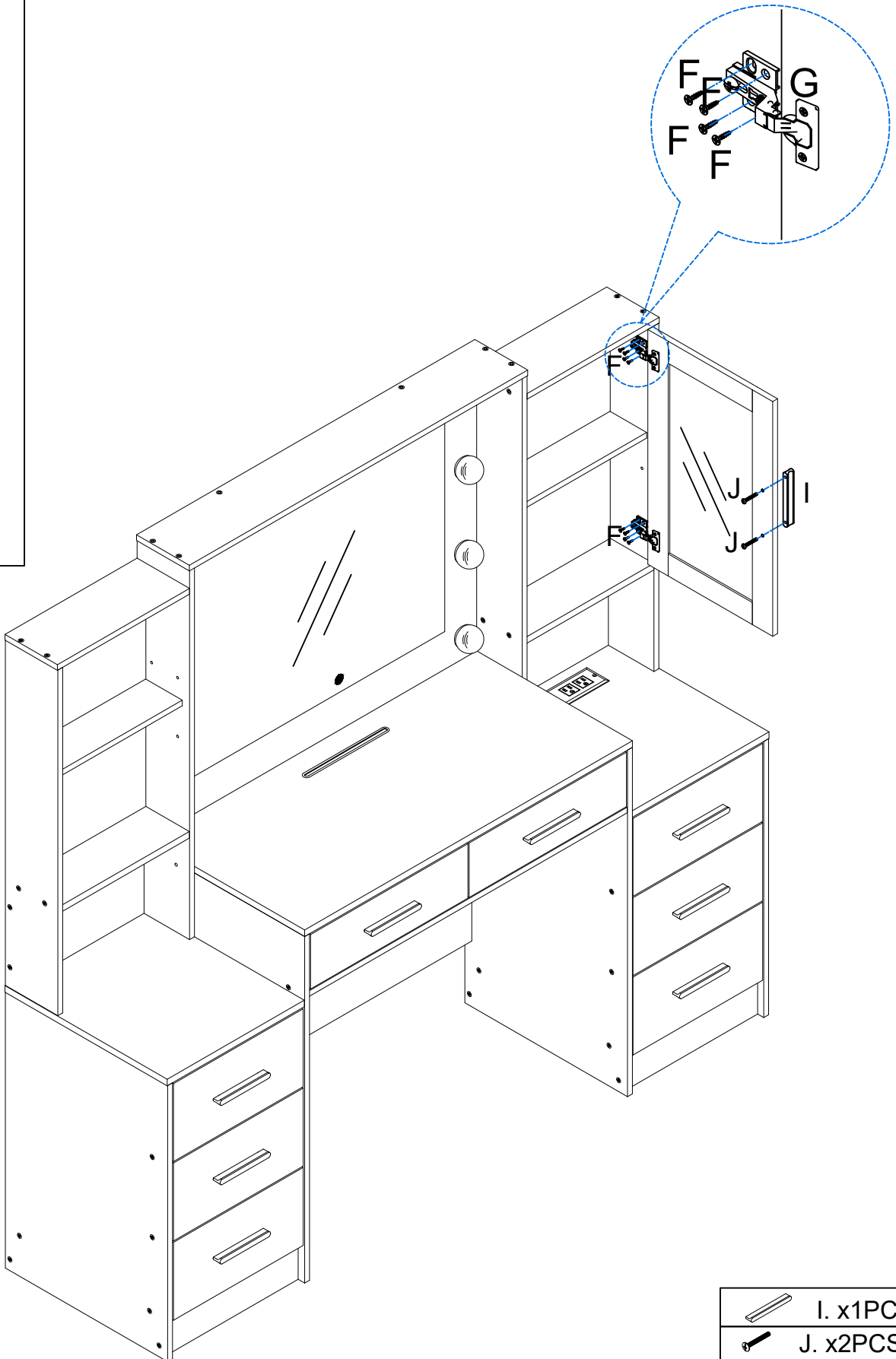
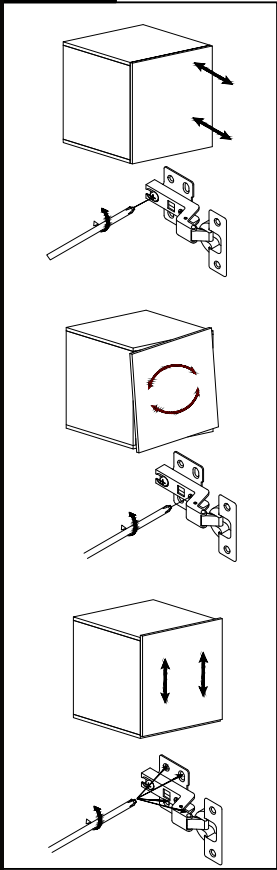




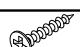
x2

 G. x4PCS
 F. x8PCS

INSTALLATION INSTRUCTION

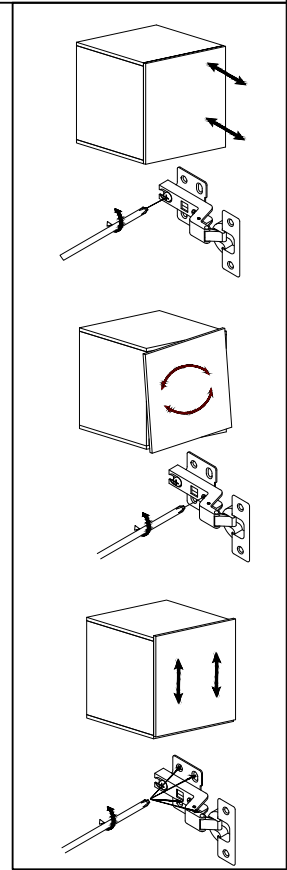
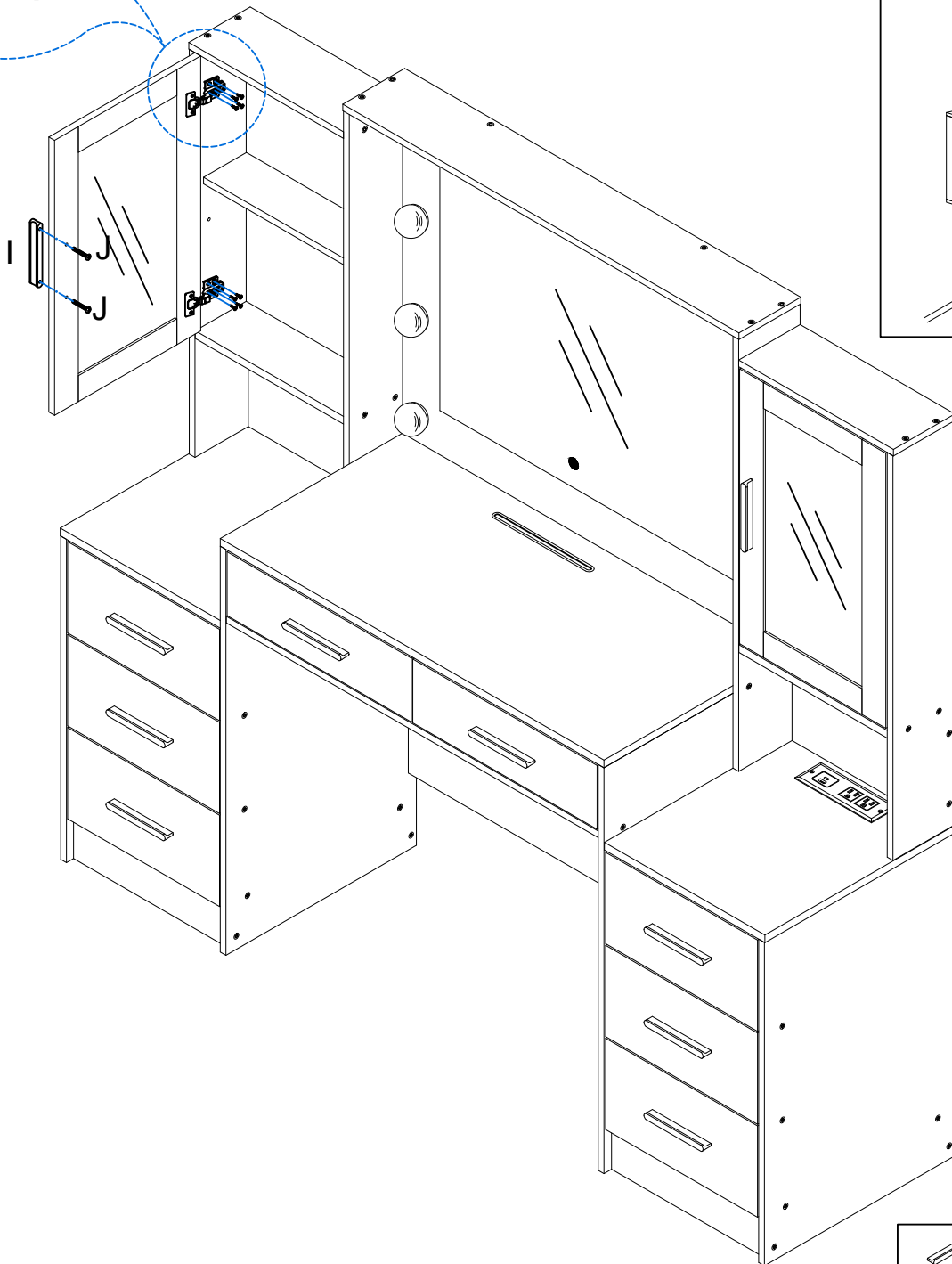
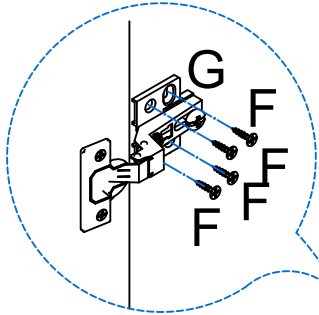
STEP45






- | | |
|---|----------|
|  | I. x1PC |
|  | J. x2PCS |
|  | F. x8PCS |

INSTALLATION INSTRUCTION

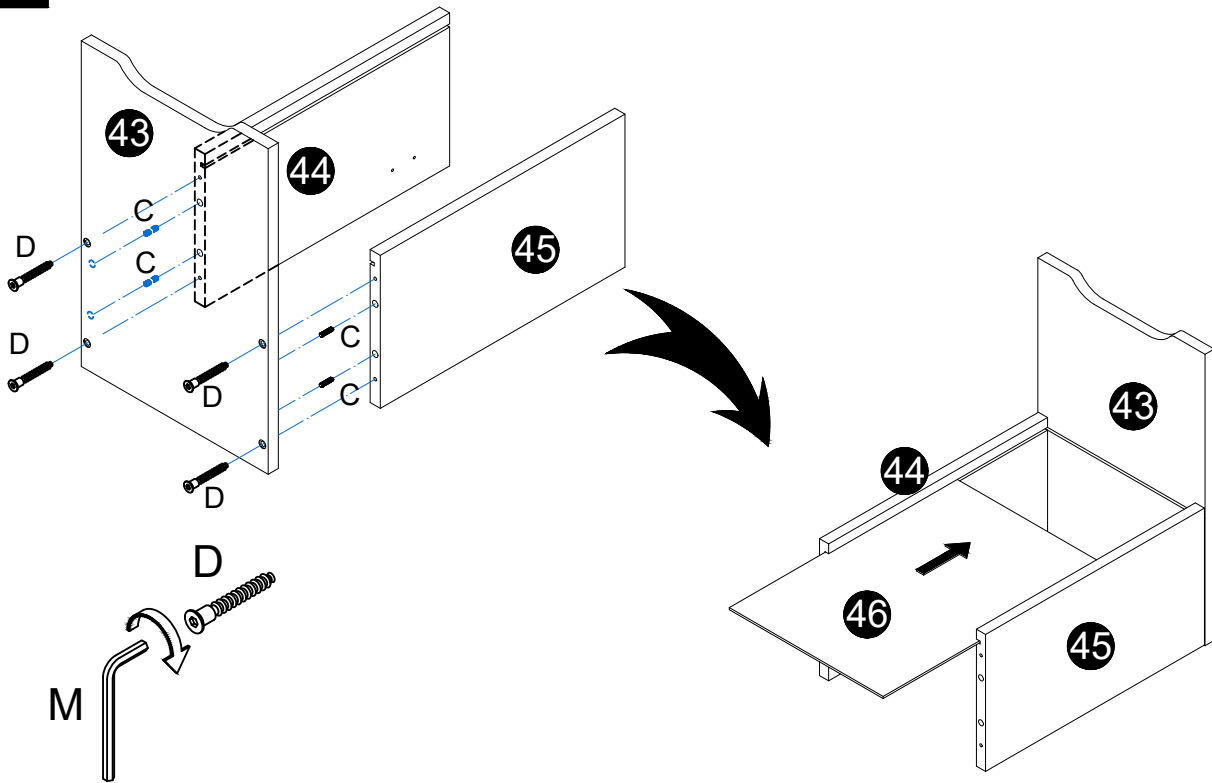
STEP46





-  I. x1PC
-  J. x2PCS
-  F. x8PCS

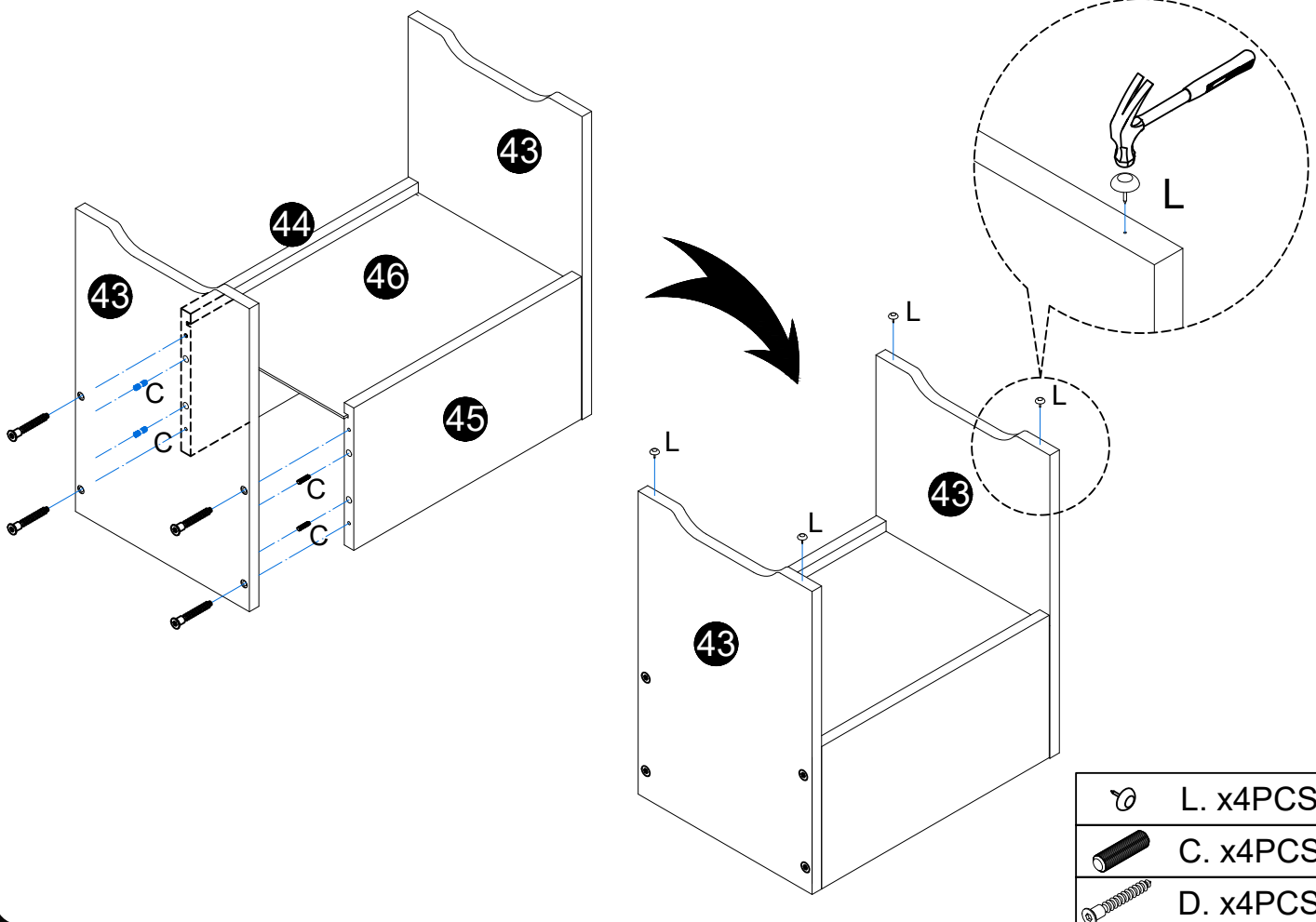
INSTALLATION INSTRUCTION



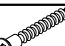
STEP47



	C. x4PCS
	D. x4PCS

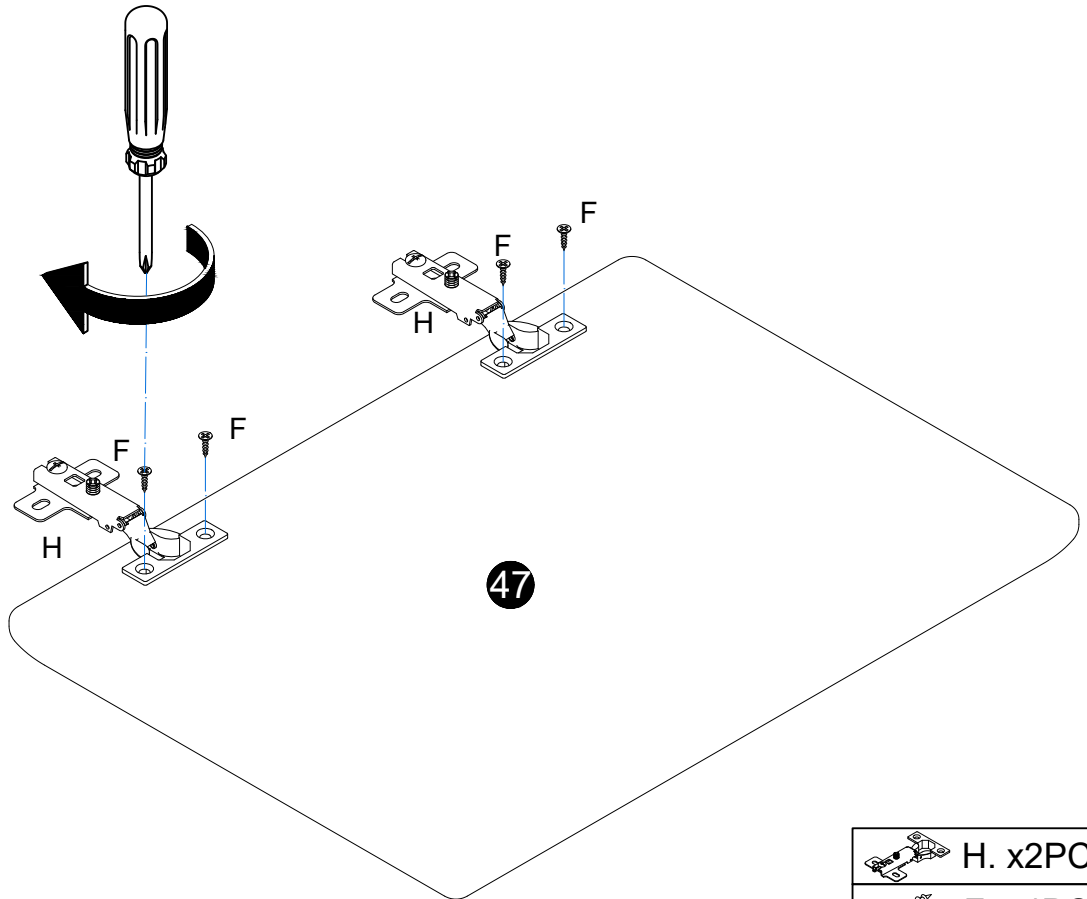
STEP48





	L. x4PCS
	C. x4PCS
	D. x4PCS

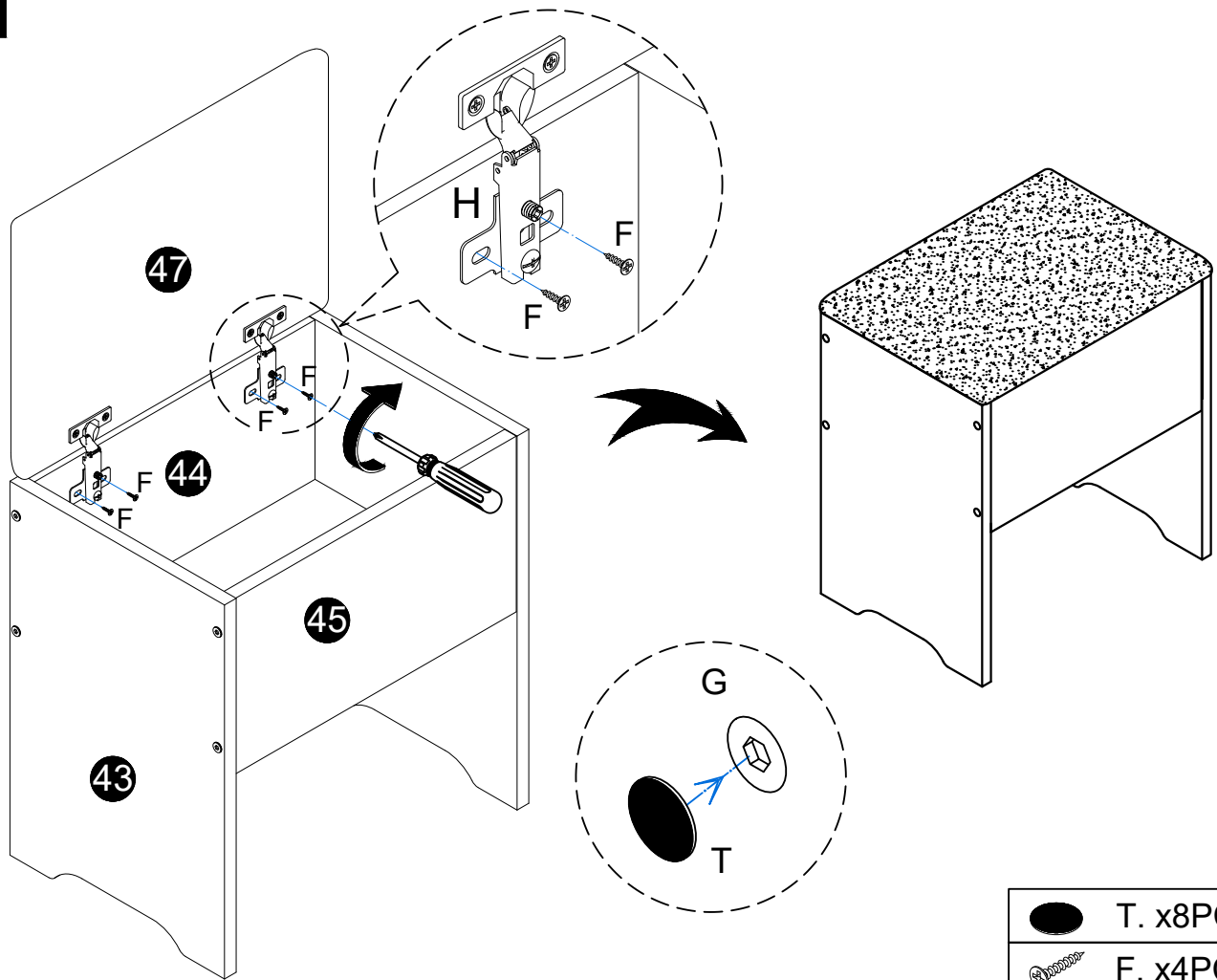
INSTALLATION INSTRUCTION



STEP49



-  H. x2PCS
-  F. x4PCS

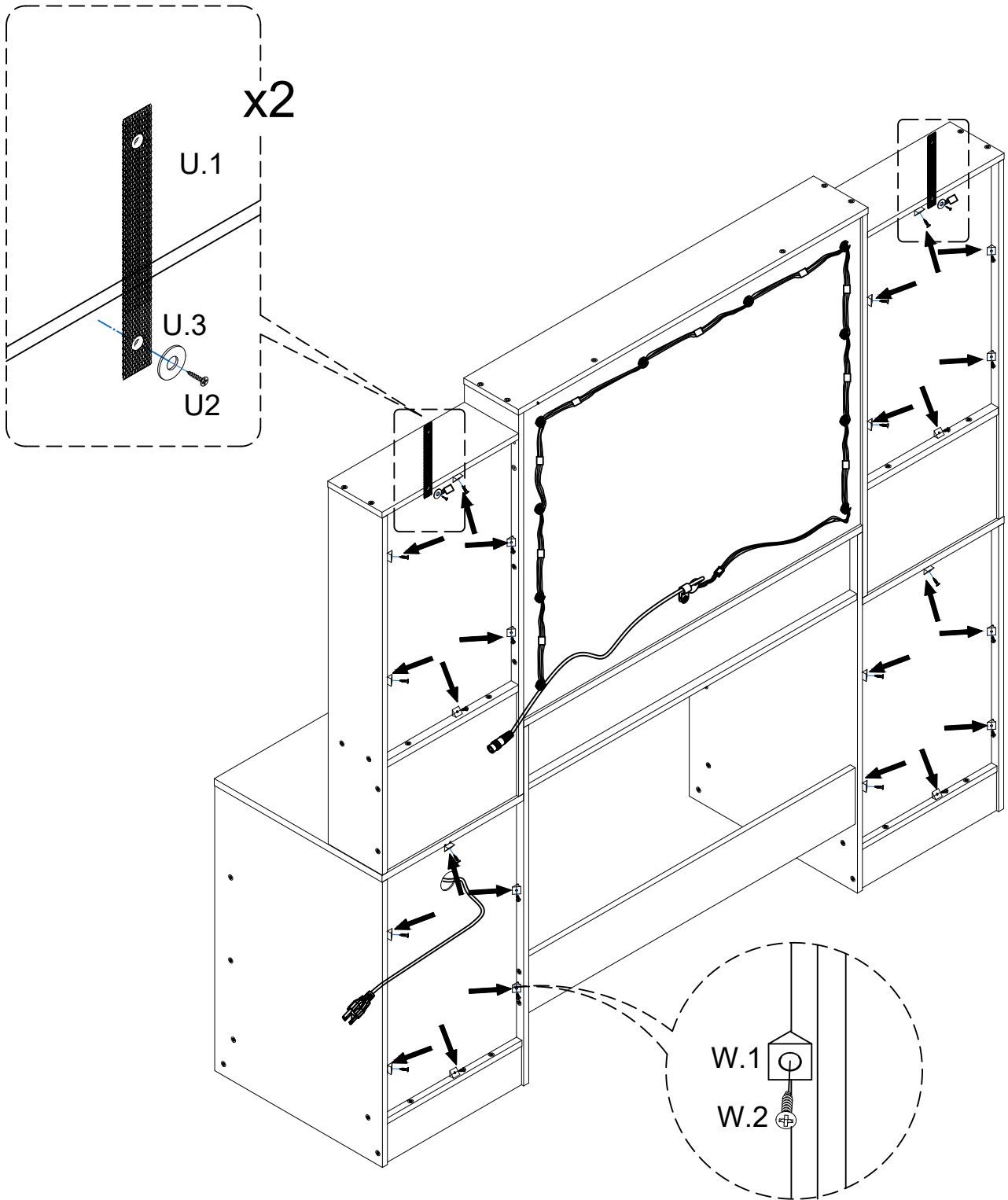
STEP50








-  T. x8PCS
-  F. x4PCS

INSTALLATION INSTRUCTION

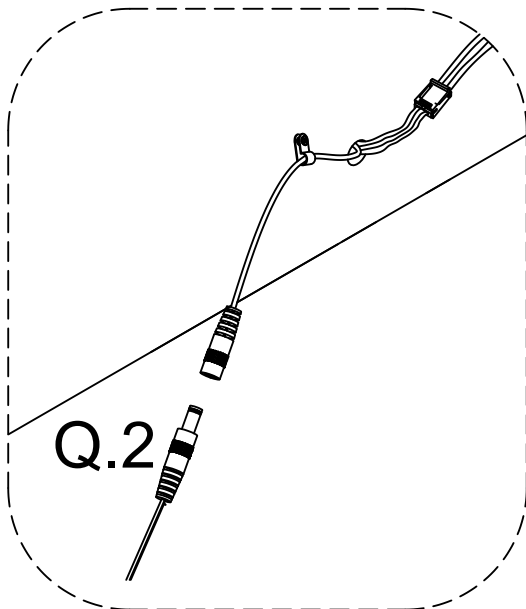
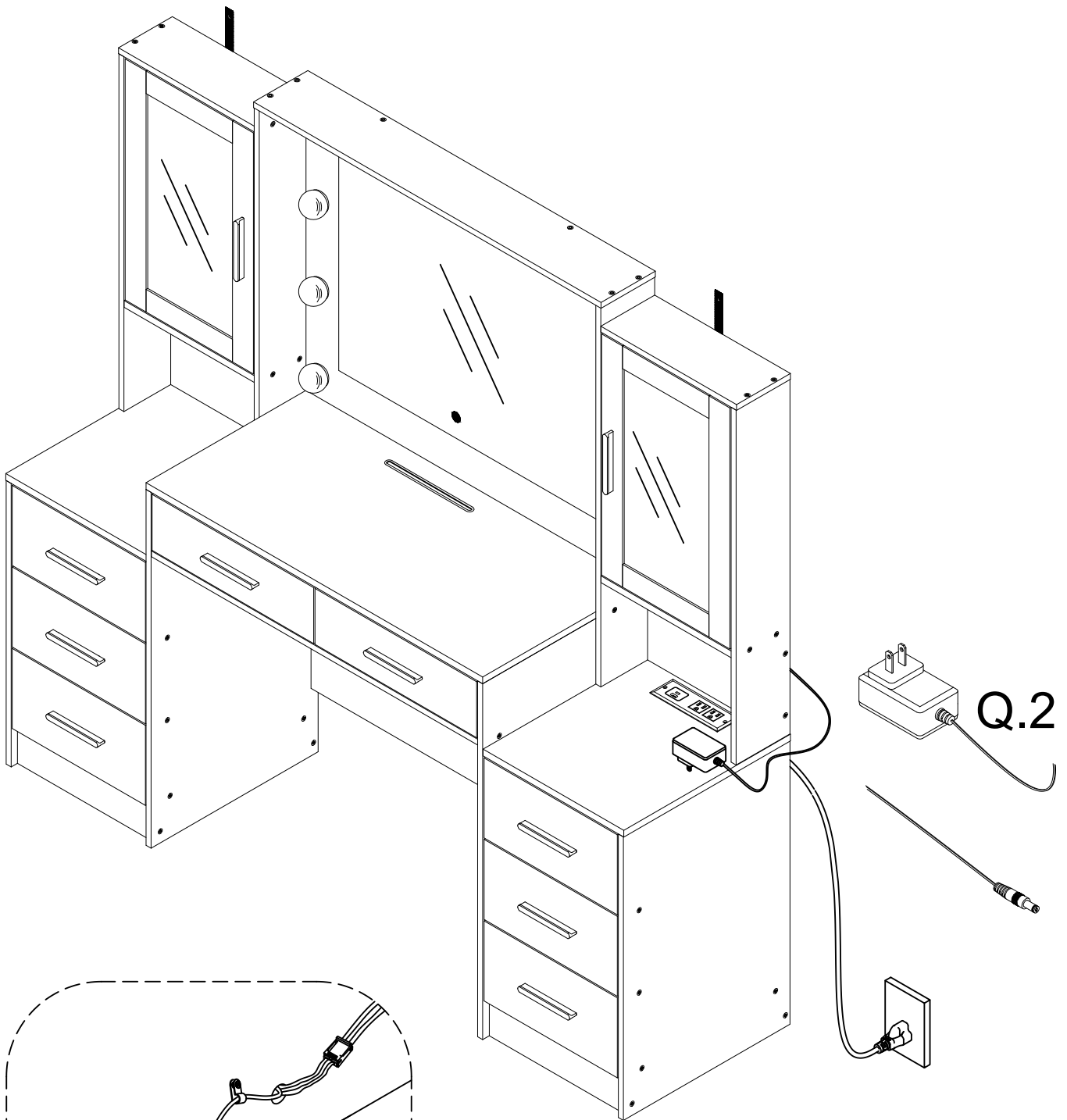
STEP51




	U.1. x2PCS
	U.2. x2PCS
	U.3. x2PCS
	W.1. x24PCS
	W.2. x24PCS

INSTALLATION INSTRUCTION

STEP52

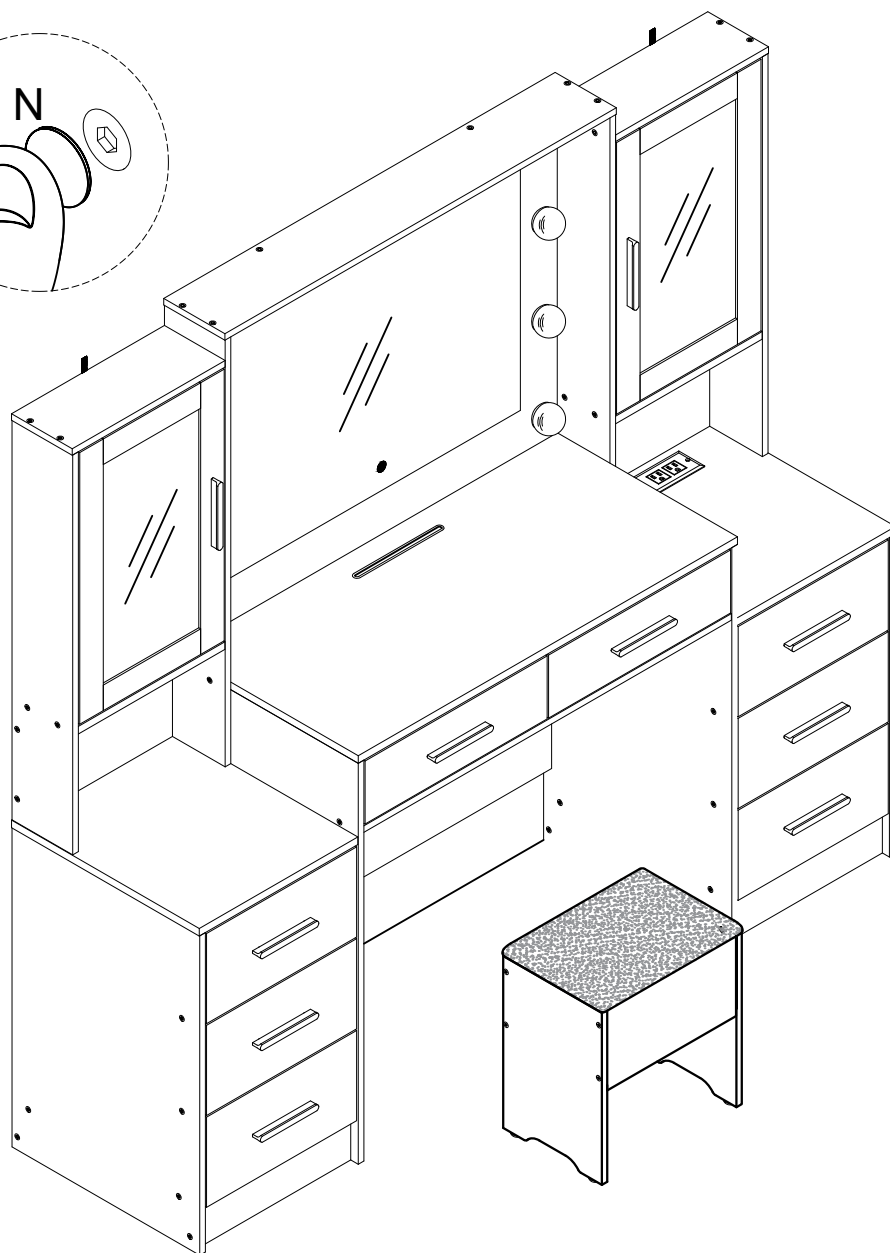
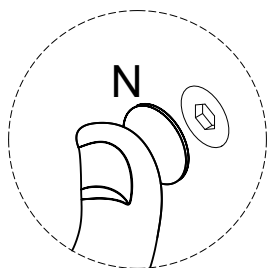


 L1. x1PC

INSTALLATION INSTRUCTION

STEP53

Add N fittings to all exposed holes on the front of the product



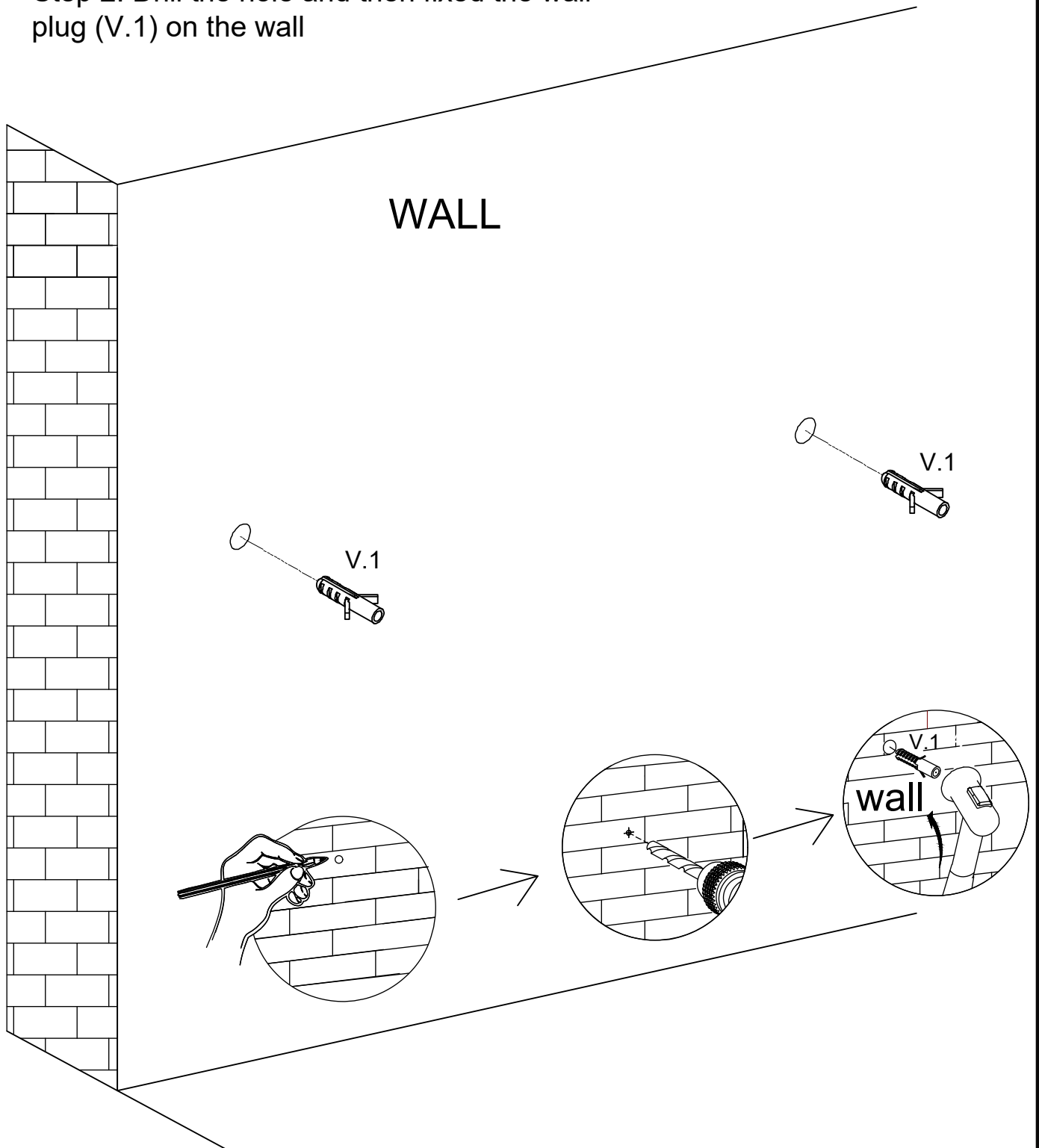
● N. x44PCS

INSTALLATION INSTRUCTION

STEP54

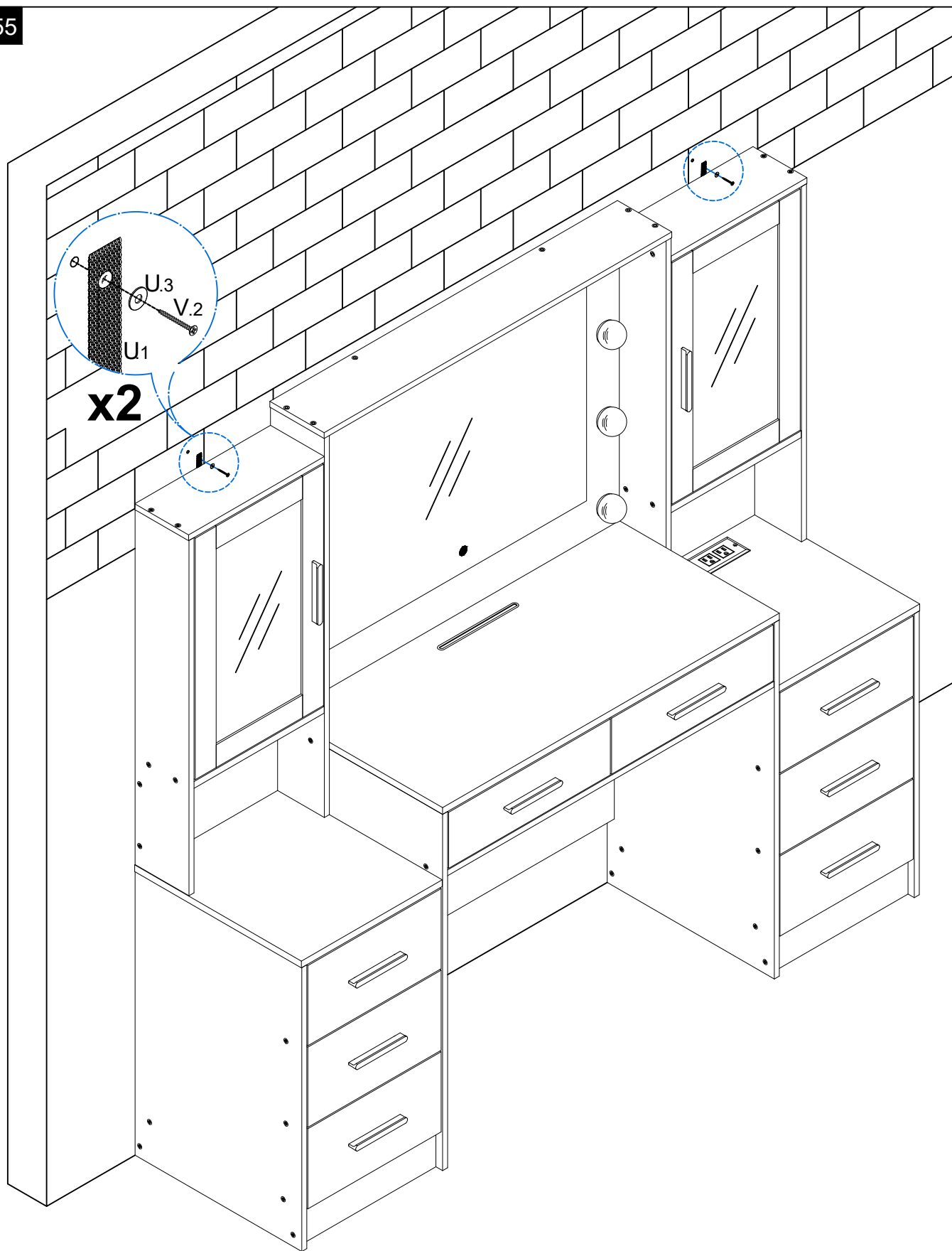
Step1: Determine the location of the anti-overturning on the wall and then mark the position

Step 2: Drill the hole and then fixed the wall plug (V.1) on the wall



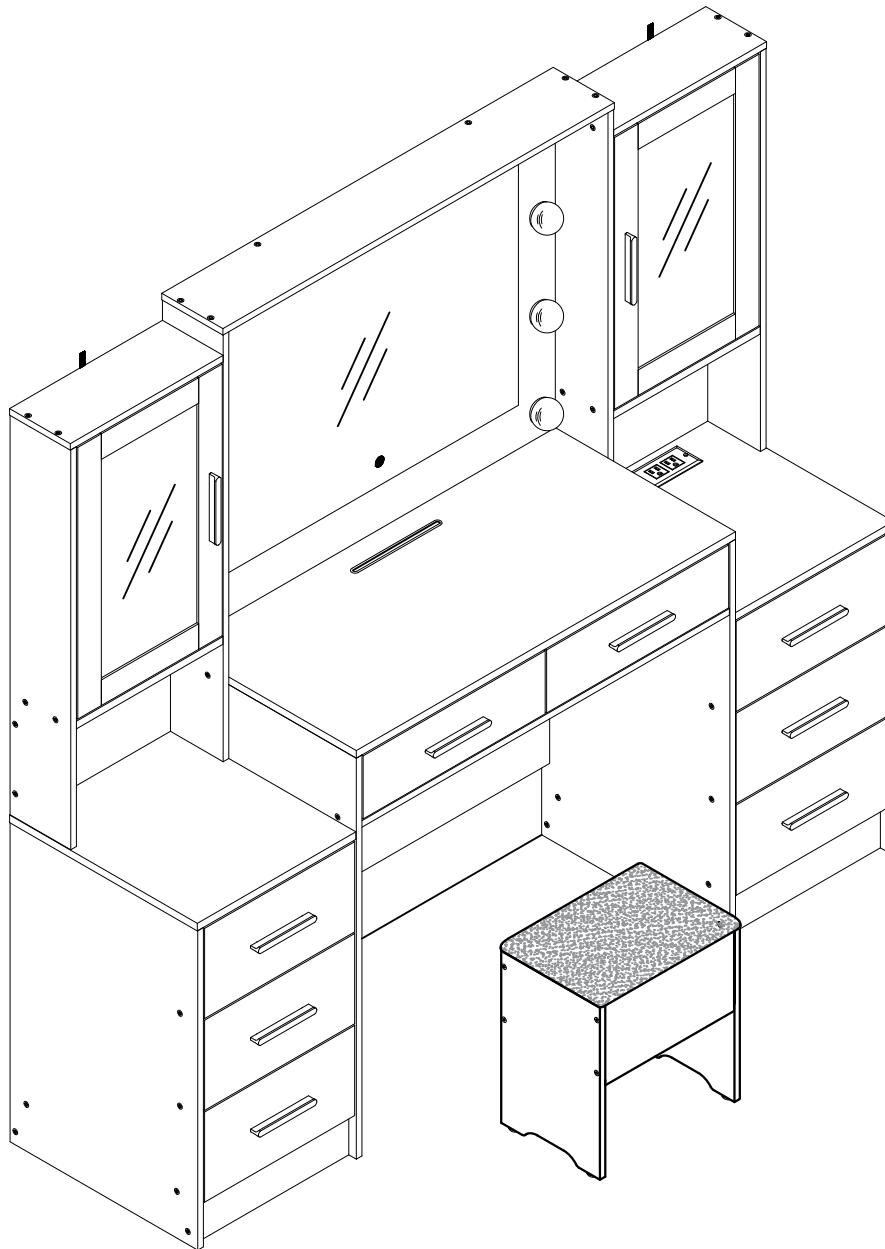
INSTALLATION INSTRUCTION

STEP55



Step 3: use screw (**V2**) to fix (**U1**) and (**U3**) on the wall

V2. x2 PCS



MANDATORY:

For safety reasons, we recommend you follow these instructions to install the anti-tipping hardware, when installed properly, this hardware may prevent the unit from tipping unexpectedly.

WARNING:

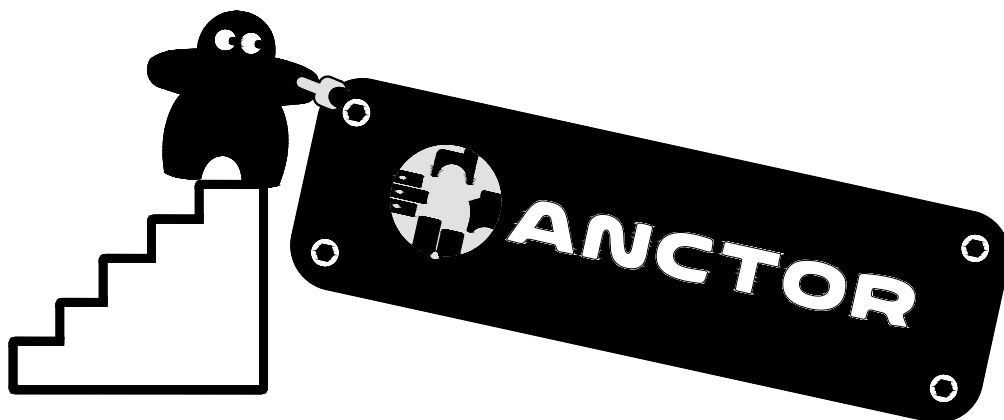
Serious injury can occur if furniture tips over. Place heavy items on lower shelved and as far back as possible.

HONG SHAN FURNITURE VIETNAM COMPANY LIMITED
Lot 1G11, 1G12, Road CN6, CN11, Tan Binh Industrial Park, Tan
Binh Town, Bac Tan Uyen District, Binh Duong, Viet Nam

Made in VIETNAM



FURNITURE INSTRUCTION



PUZZEL YOUR HOUSE

Please don't tighten the screws completely and go back later for a final tightening of all the screws after pieces are aligned with each other.