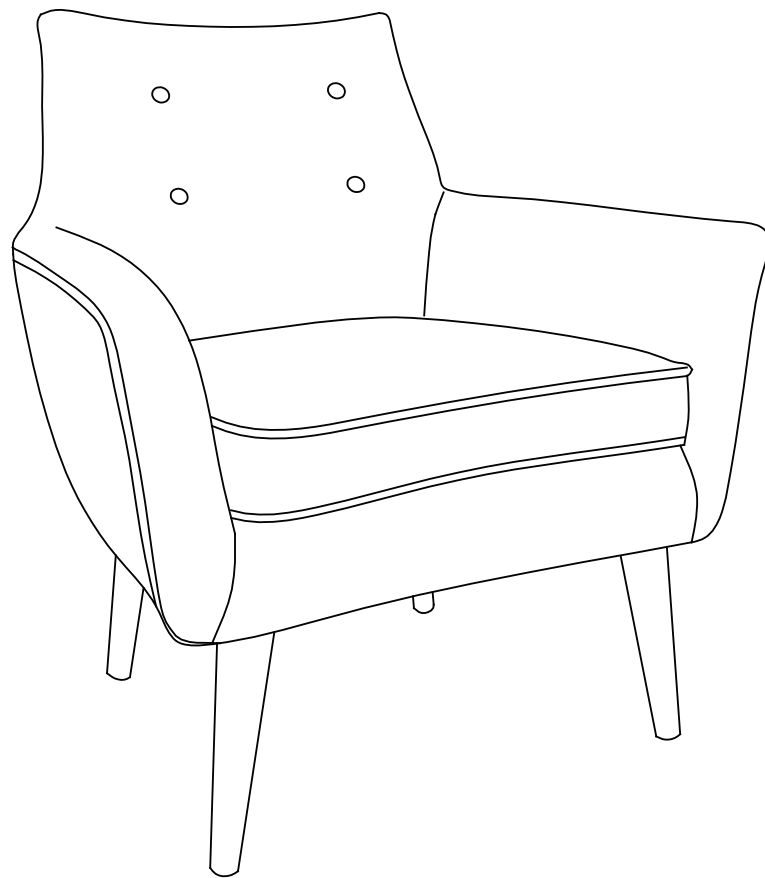


ACCENT CHAIR
FAUTEUIL D'APPOINT
SILLA AUXILIAR



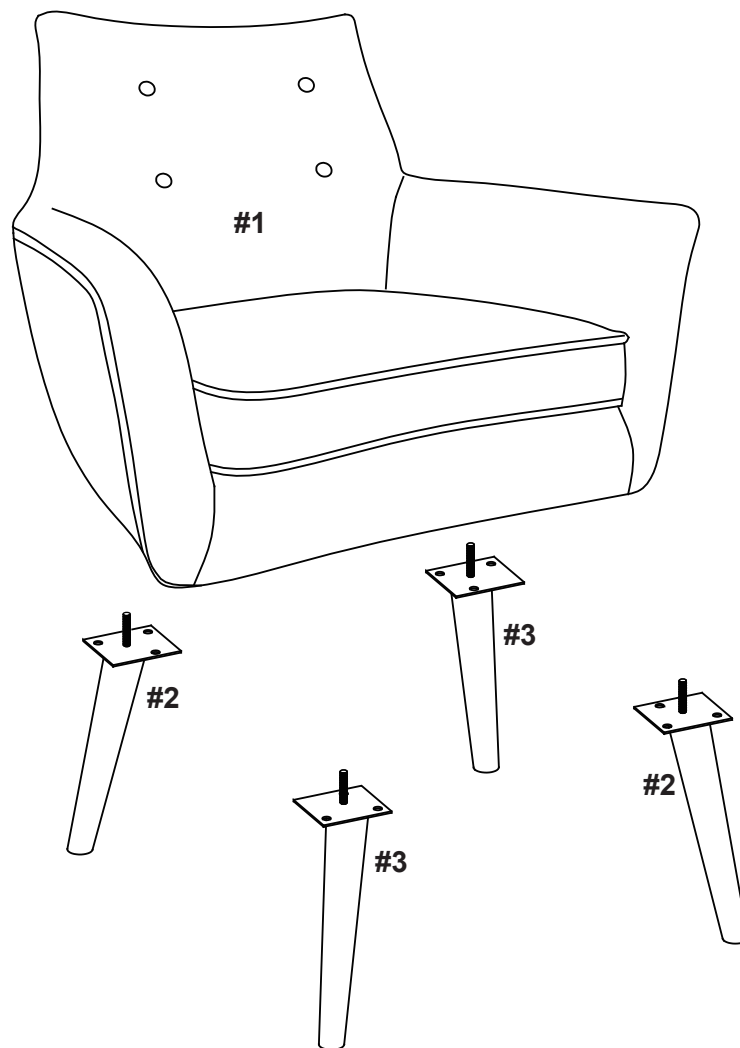
We are here to help!

Before you return it - contact us.


We do our best to insure that your furniture arrives in excellent condition. In the event that a part is damaged or missing, We will be happy to provide you with replacement parts, at no charge, within 30 days of purchase, providing the parts are available in our warehouse and the item purchased is part of our current inventory. In order to receive spare parts, at no charge, you must provide proof of purchase within 30 days.

Part list / Liste des pièces / Lista de piezas


#1	Arm chair / Fauteuil / Silla	01
#2	Leg / Pied / Pata	02
#3	Leg / Pied / Pata	02



Hardware list / Liste des pièces / Lista de piezas

A	Bolt (4/16"x1") / Boulon / Perno		12
B	Spring washer / Rondelle à ressort / Arandela de muelle		12
C	Flat washer / Rondelle plate / Arandela plana		12

Tools required / Outils requis / Herramientas requeridas

Allen key / Clé hexagonale / Llave allen		Supplied / Fourni / Incluido
---	---	-------------------------------------

IMPORTANT:

1. Do not tighten bolts completely until all bolts are completely lined up and inserted into holes / nuts.
2. Do not over tighten screws and bolts to avoid stripping.
3. Please use hand tools to assemble this product. Do not use power tools.

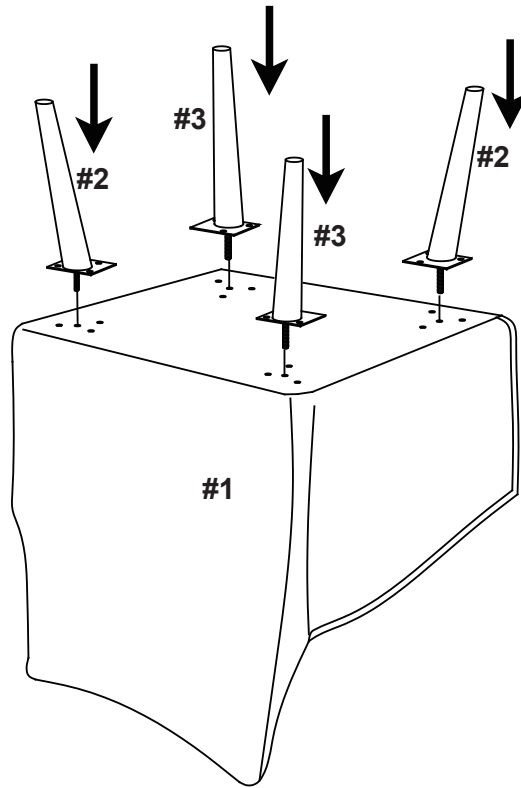
IMPORTANT:

1. Ne serrez pas complètement les boulons jusqu'à ce que tous les boulons soient complètement alignés et insérés dans les trous / écrous.
2. Ne pas trop serrer les vis et les boulons pour éviter d'endommager les filets.
3. Utilisez des outils à main pour assembler ce produit. N'utilisez pas d'outils électriques.

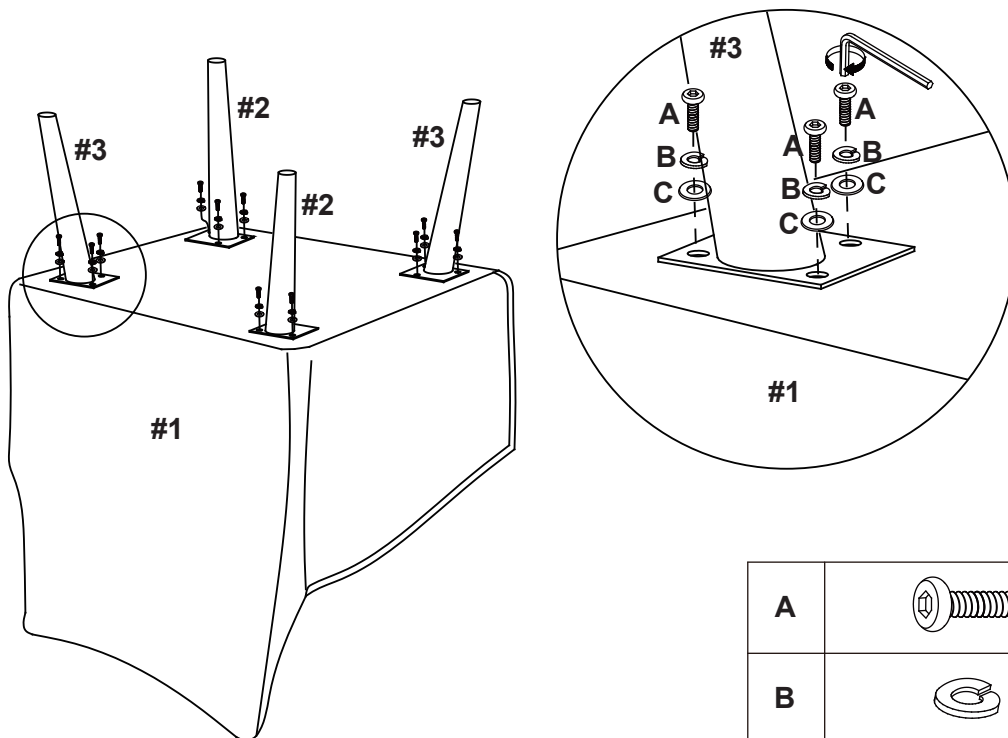
IMPORTANTE:

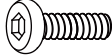


1. No apriete completamente los pernos hasta que todos los tornillos estén alineados completamente y se inserten en los agujeros / tuercas.
2. No apriete demasiado los tornillos y los pernos para evitar dañar los filetes.
3. Utilice herramientas de mano para montar este producto. No utilice herramientas eléctricas.

1.

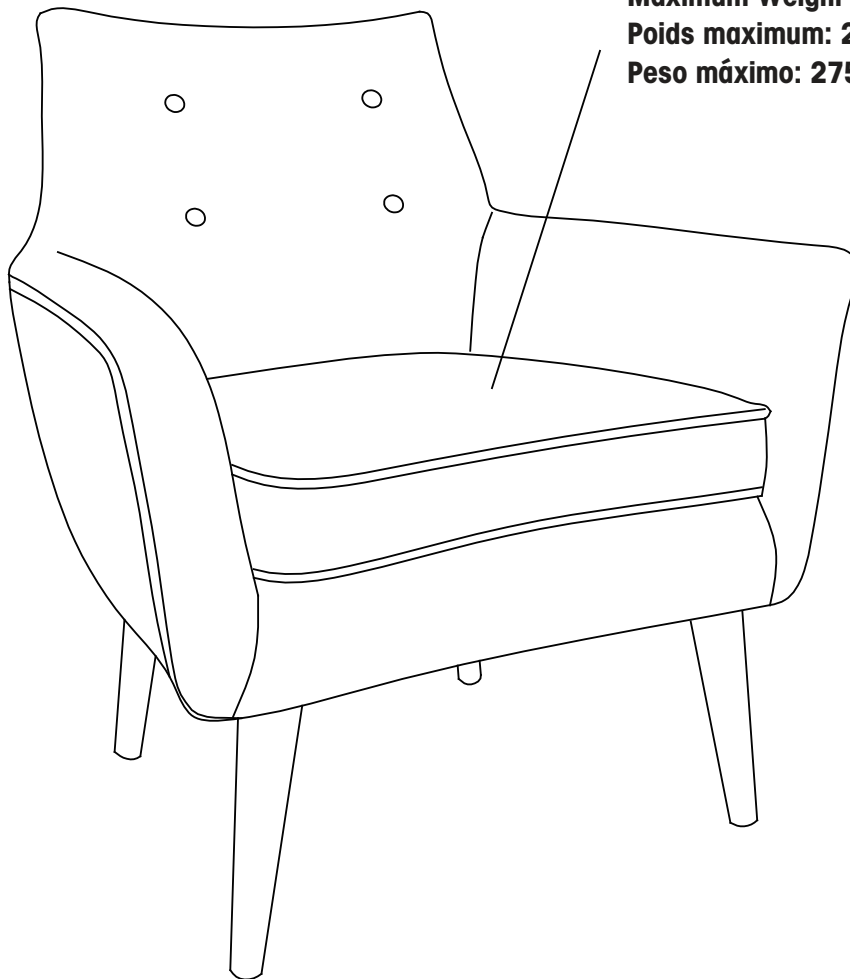


2.



A		12
B		12
C		12

3.



Maximum Weight 275 lbs
Poids maximum: 275 lb (124.7 kg)
Peso máximo: 275 lb (124.7 kg)

LIMITED 6 MONTHS WARRANTY

WHAT IS COVERED

This product is covered under our manufacturer's 6 months limited warranty. To ensure your complete satisfaction, this warrants to the original purchaser that the supplied item is free from defects in material and workmanship, as of the date of purchase, and that it will, under normal use and proper care, remain so for six months after the date of purchase.

Replacement of missing or initially defective parts will be sent, at no charge, for a period of 30 days from the date of purchase with valid proof of purchase providing the parts are available in our warehouse and the item purchased is part of our current inventory.

WHAT IS NOT COVERED

It remains the customer's responsibility for freight and packaging charges to and from the customer service center.

Labor and material charges to remove or replace parts under this warranty are not covered.

This warranty does not cover: Furniture used for commercial purposes, failures caused by improper installation assembly or by improper care, unreasonable or abusive use, freeze damage, acts of God, rust, purchased parts or return freight and packaging charges.

Proof of purchase (dated register receipt) is required for warranty claims.

MADE IN CHINA
FABRIQUÉ EN CHINE
HECHO EN CHINA