

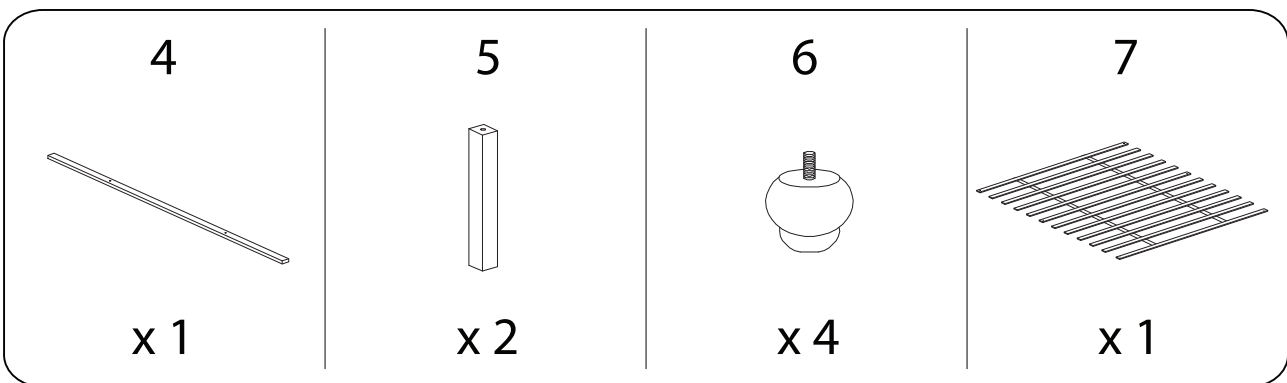
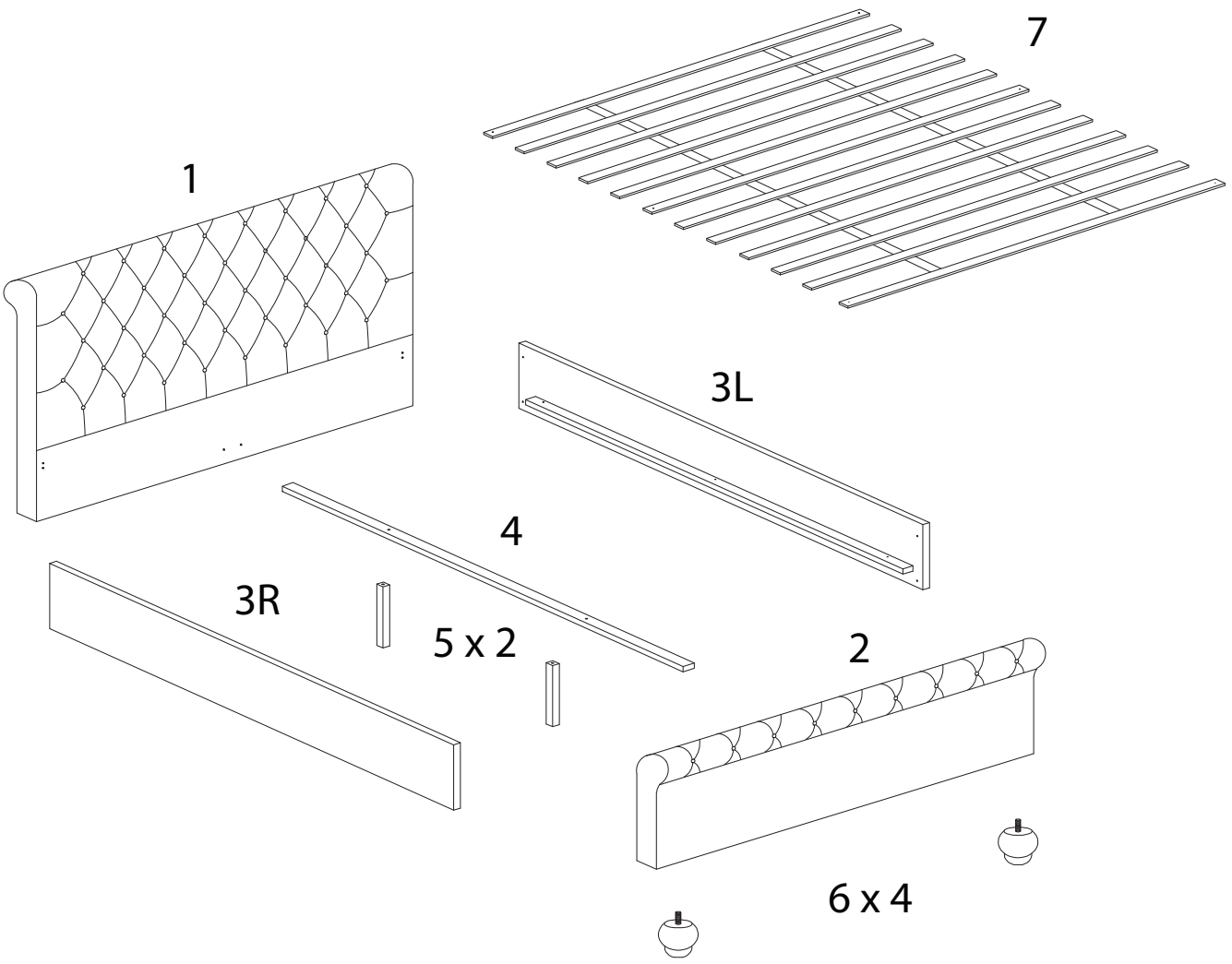
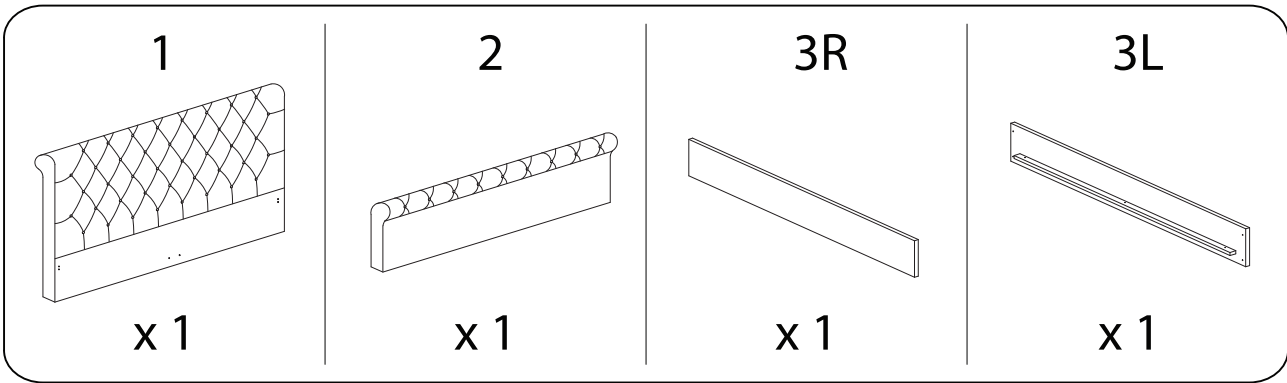
Assembly instructions for the bed frame, including tool requirements, time, and personnel.

Tools: A circle containing a screwdriver and an Allen key, and a crossed-out power drill icon, indicating that a power drill is not required.

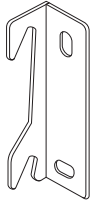
Warning: A triangle with an exclamation mark.

Time: A clock icon with the text "45'" below it, indicating the estimated assembly time.

Personnel: A person icon with the number "2" below it, indicating that two people are required for assembly.



A



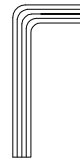
x 4

B



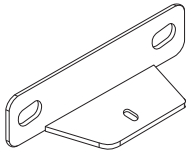
x 20

C



x 1

D



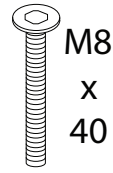
x 2

E



x 2

F



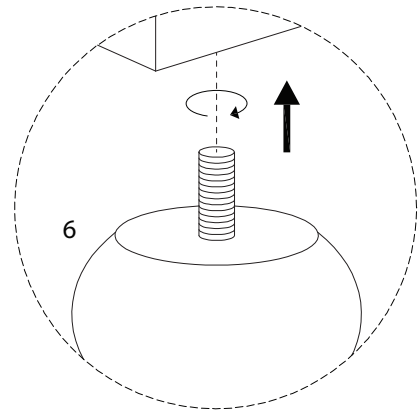
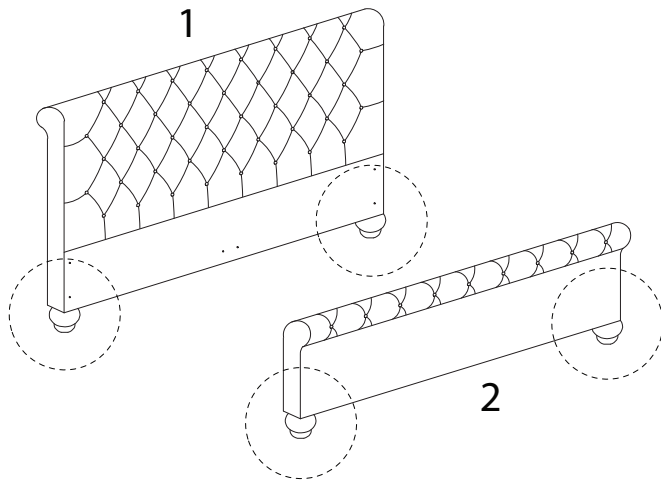
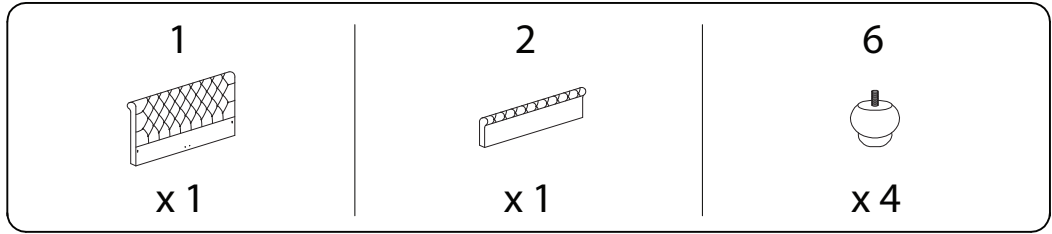
x 2

G

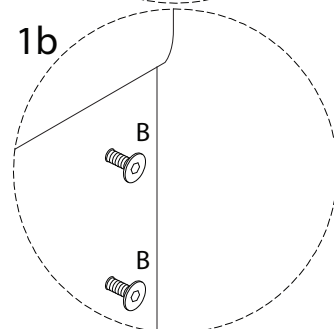
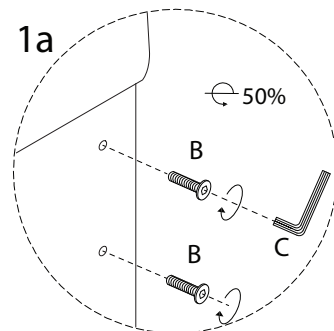
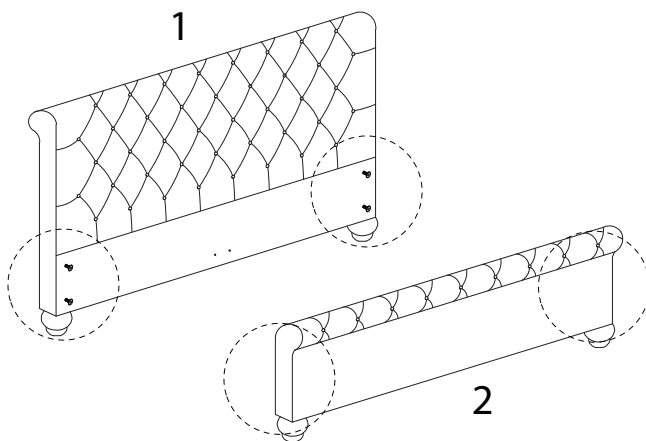
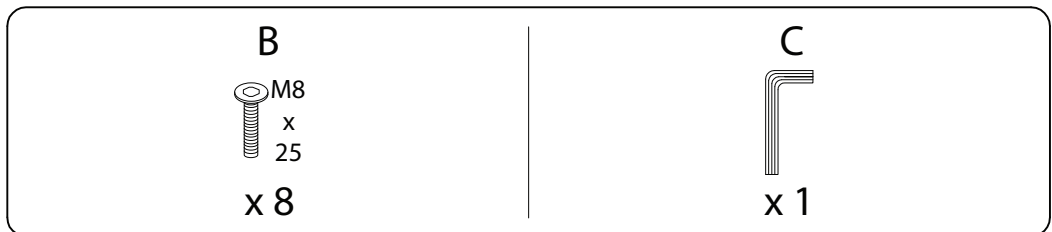


x 6

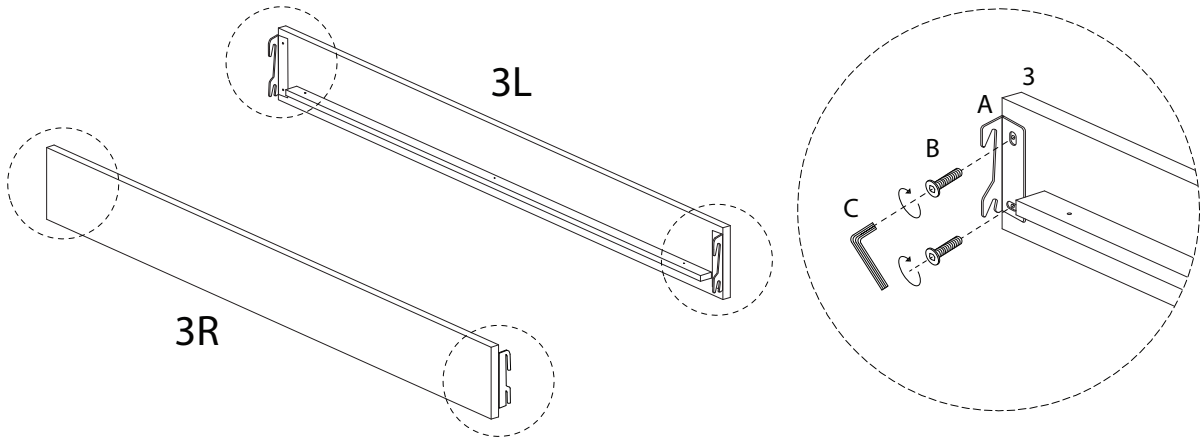
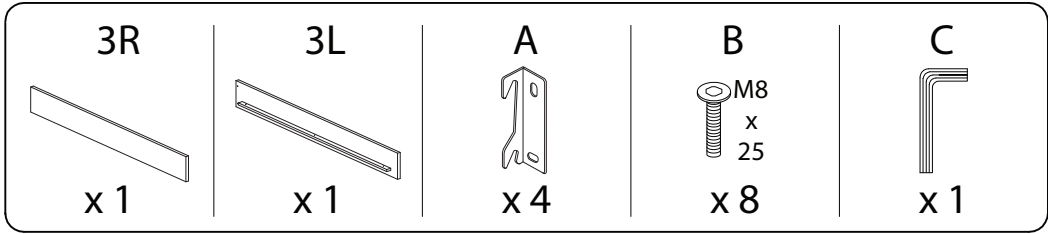
1



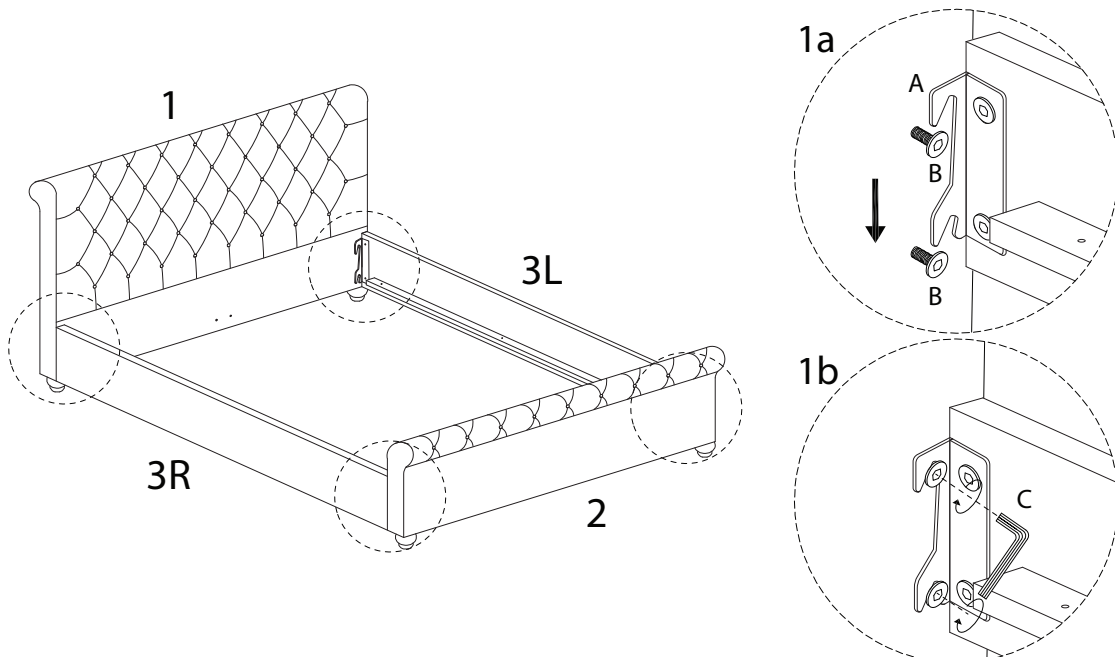
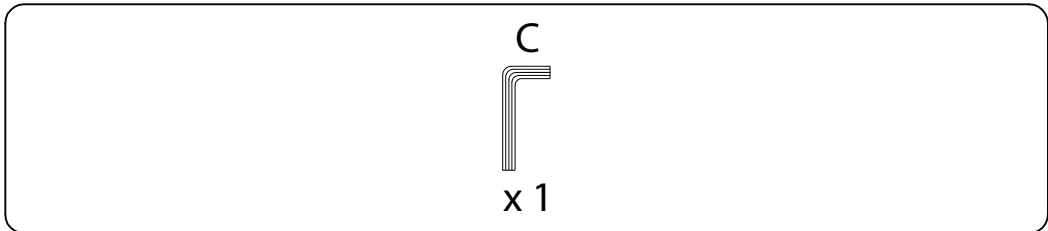
2



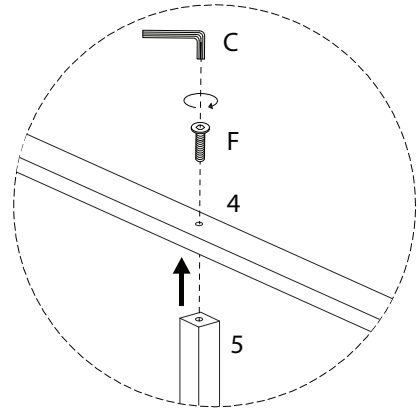
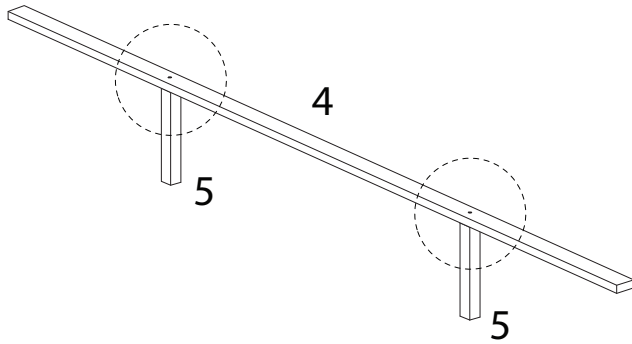
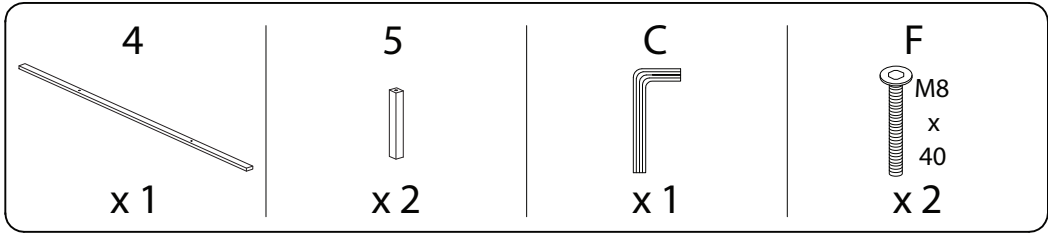
3



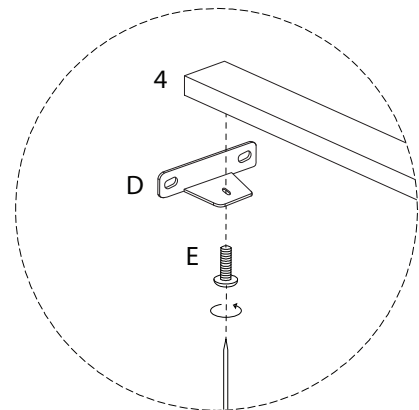
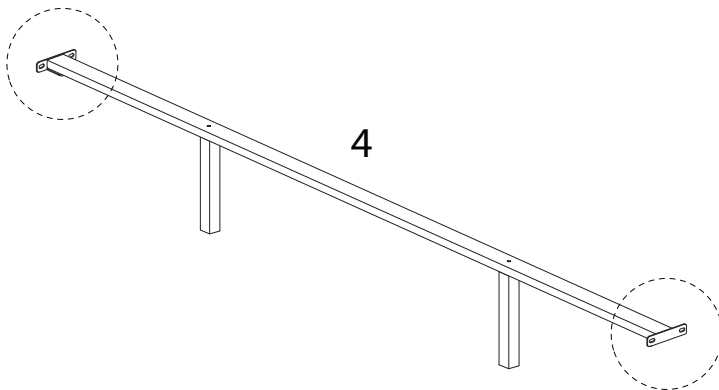
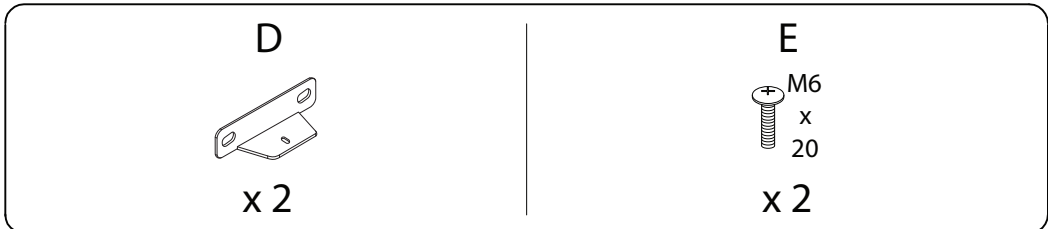
4



5

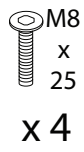


6

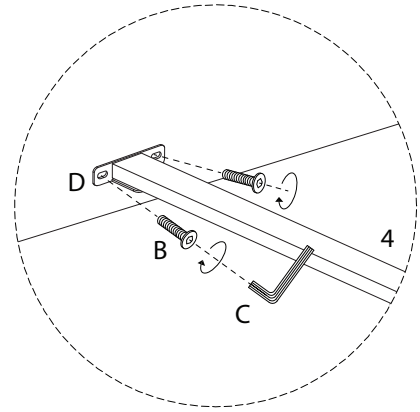
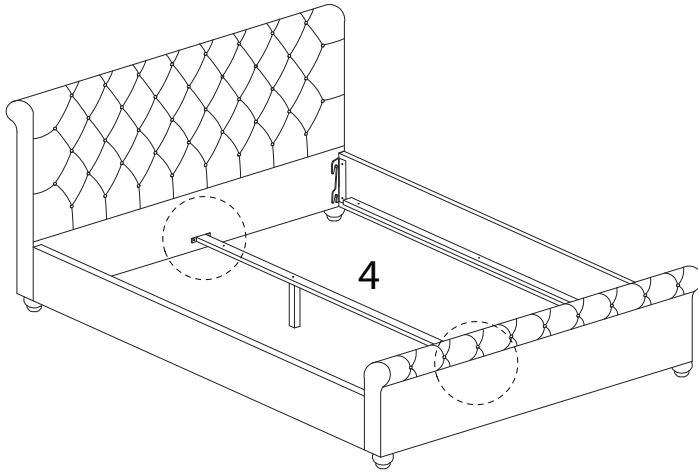
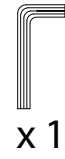


7

B

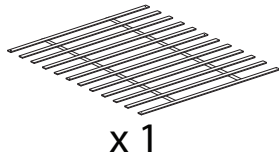


C



8

7



G

