

ASSEMBLY INSTRUCTIONS



OFFICE CHAIR

ASSEMBLY INSTRUCTIONS

ASSEMBLY TIPS:

- 1.Remove hardware from box and sort by size.
- 2.Please check to see that all hardware and parts are present prior to start of assembly.
- 3.Please follow attached instructions in the same sequence as numbered to assure fast & easy assembly.








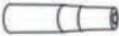



WARNING !

- 1.Don't attempt to repair or modify parts that are broken or defective. Please contact the store immediately.
- 2.This product is for home uses only and not intended for commercial establishments.



ASSEMBLY TIME 20 MINUTES

PARTS IDENTIFICATION

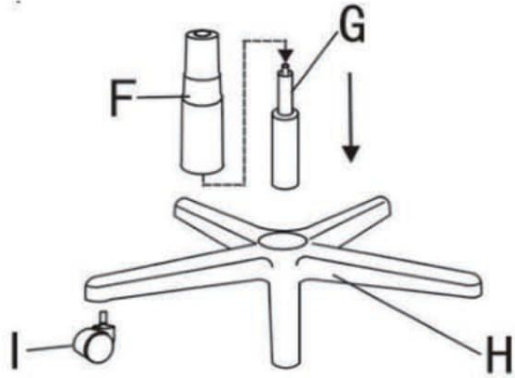
A		BACK	1PC
B		SEAT	1PC
C		RIGHT ARM	1PC
D		LEFT ARM	1PC
E		MECHANISM	1PC
F		GAS LIFT COVER	1PC
G		GAS LIFT	1PC
H		BASE	1PC
I		CASTER	5PCS

HARDWARE IDENTIFICATION

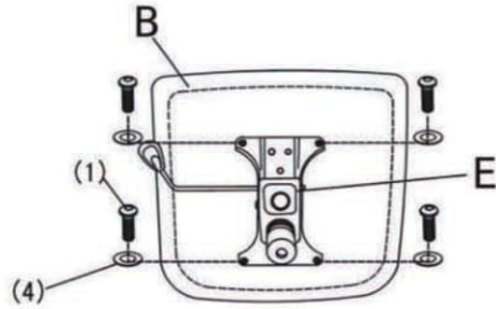
NO	DESCRIPTION	FIGURE	Q'TY
1	BOLT	 M6*20	12PCS
2	ALLEN WRENCH	 M6	1PC
3	CAP		8PCS
4	WASHER	 M6*18*1.2	4PCS

ASSEMBLY INSTRUCTIONS

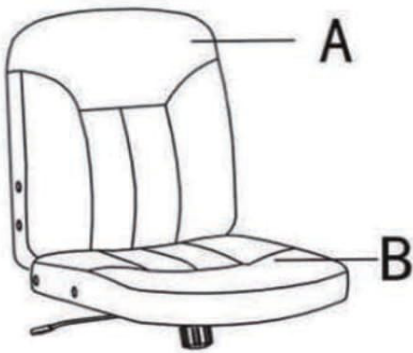
STEP1



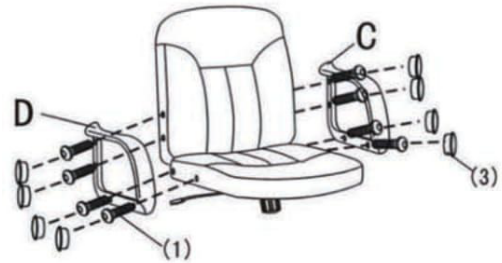
STEP2



STEP3



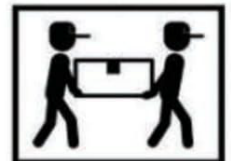
STEP4



STEP5



STEP6





Note : Dimension tolerance ±5%