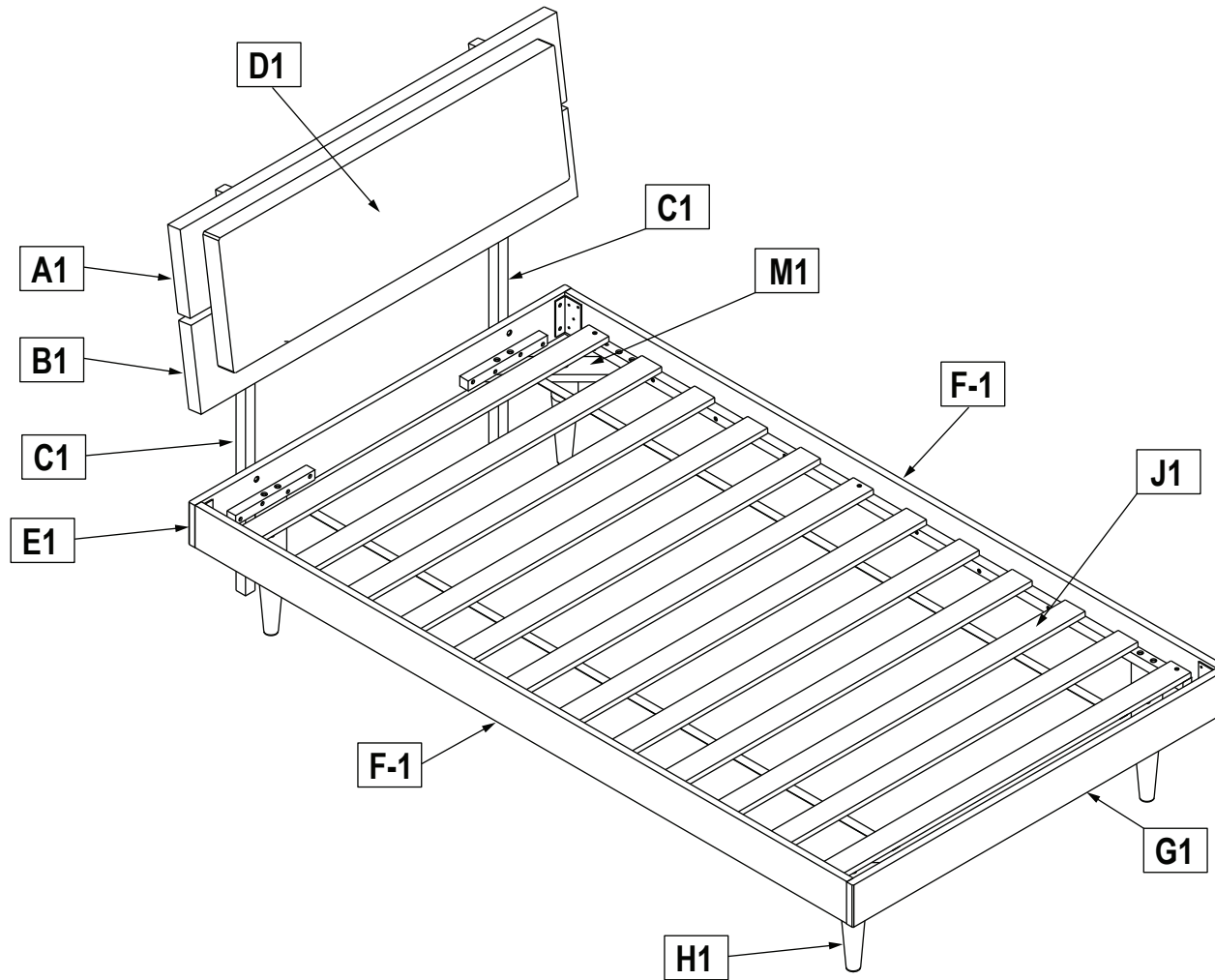


ASSEMBLY INSTRUCTIONS:

T BED

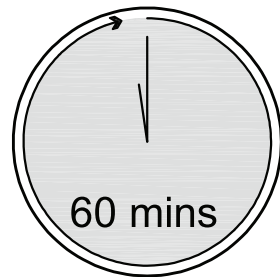


T BED

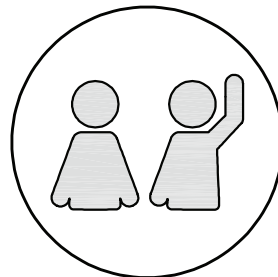
ASSEMBLY INSTRUCTIONS

Read these instructions carefully and keep for future reference. Refer to parts inventory for guidance, and ensure you have all pieces before starting.

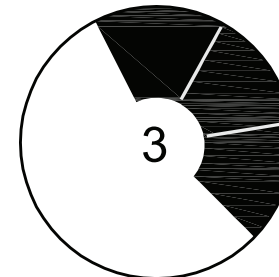
When assembling, place all parts on a soft, clean, and flat surface such as a carpet to prevent scratches.



TIME



OF PEOPLE



DIFFICULTY

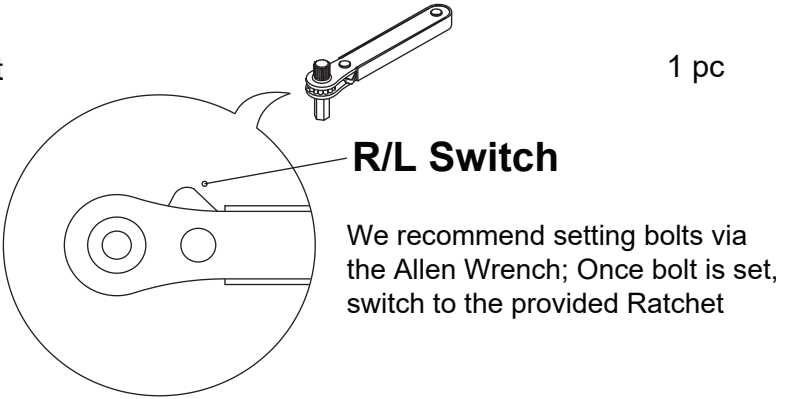
Important: Use hand tools for assembly. Power tools can lead to over-tightening and damage.

T BED

Parts List

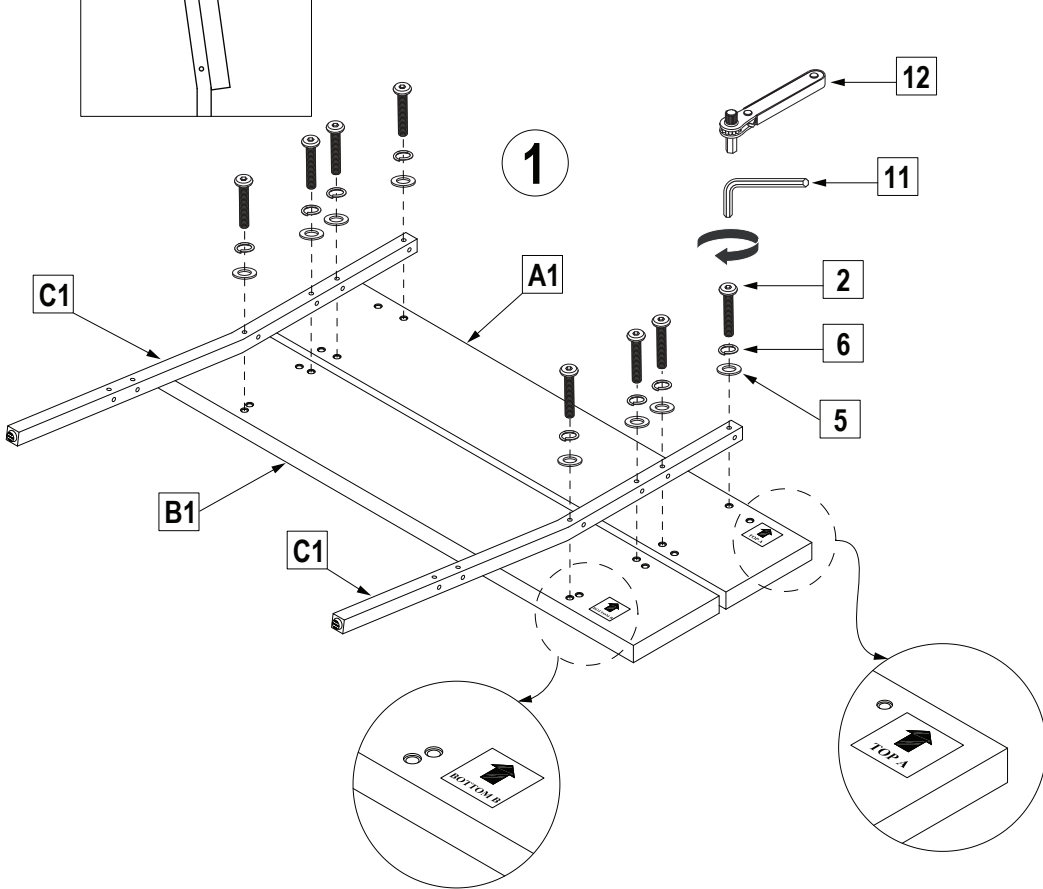
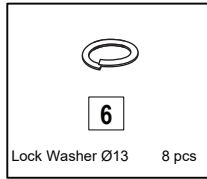
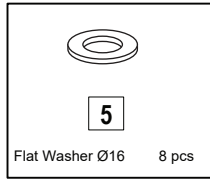
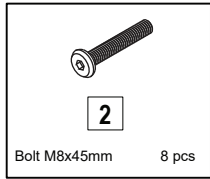
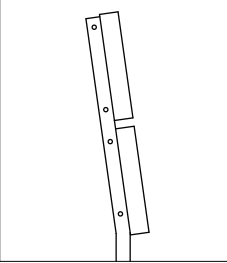
CODE	DESCRIPTION	QTY	CODE	DESCRIPTION	QTY
A1	Headboard Top	1 pc	F-1	Side Rail	2 pcs
B1	Headboard Bottom	1 pc	G-1	Footboard	1 pc
C1	Headboard Legs	2 pcs	H1	Legs	4 pcs
D1	Headboard Cushion	1 pc	M1	Corner Wedge	4 pcs
E1	Stretcher	1 pc	J1	Slats	1 set

Hardware List

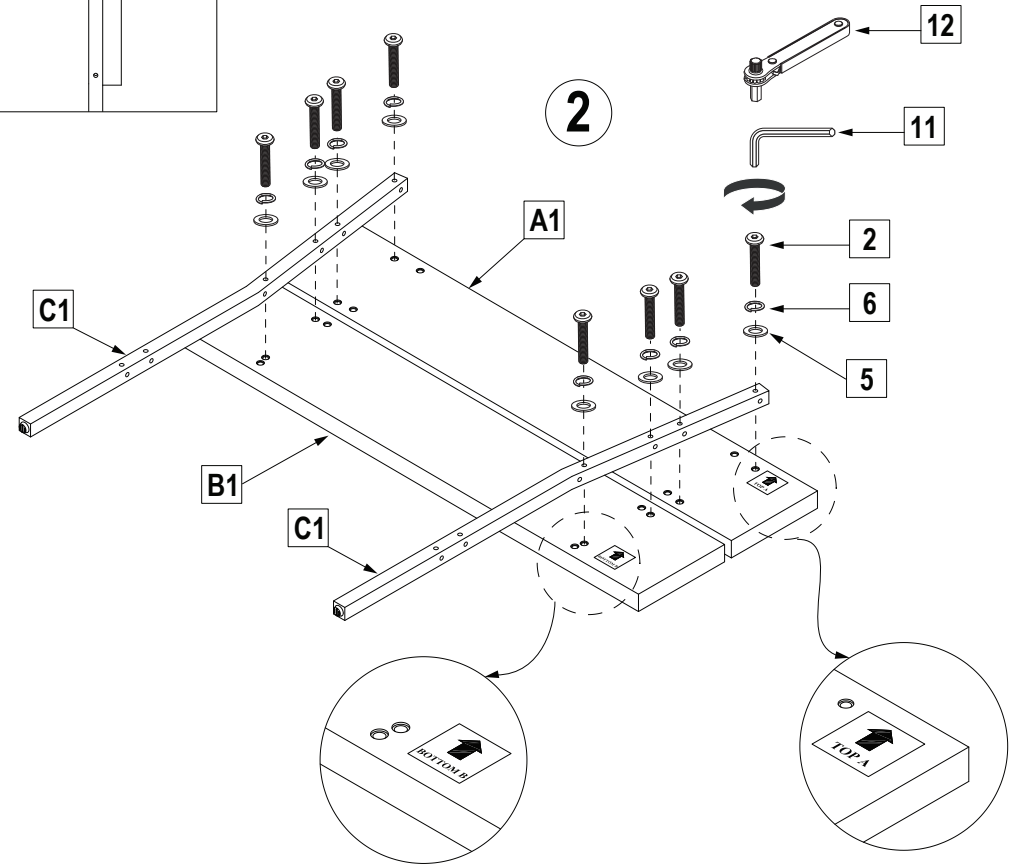
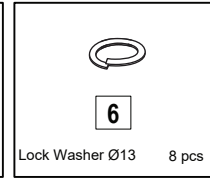
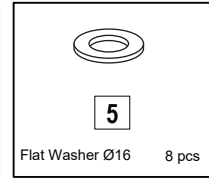
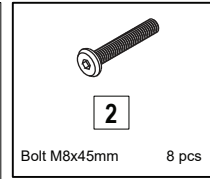
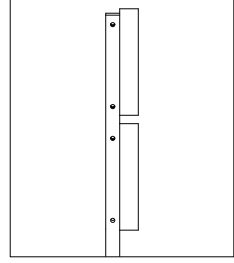
CODE	DESCRIPTION	QTY	CODE	DESCRIPTION	QTY
1	Dowel Ø8x30mm	12 pcs	8	Flat Washer Ø50	2 pcs
2	Bolt M8x45mm	28 pcs	9	Rubber Washer Ø50	2 pcs
3	Bolt M8x20mm	8 pcs	10	Plastic Tube Ø12x25mm	2 pcs
4	Screw #8x30mm	6 pcs	11	Allen Wrench	1 pc
5	Flat Washer Ø16	36 pcs	12	Ratchet	1 pc
6	Lock Washer Ø13	36 pcs	 <p>R/L Switch We recommend setting bolts via the Allen Wrench; Once bolt is set, switch to the provided Ratchet</p>		
7	Star Knob	2 pcs			

1

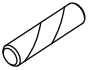



OPTION 1: Angled Headboard

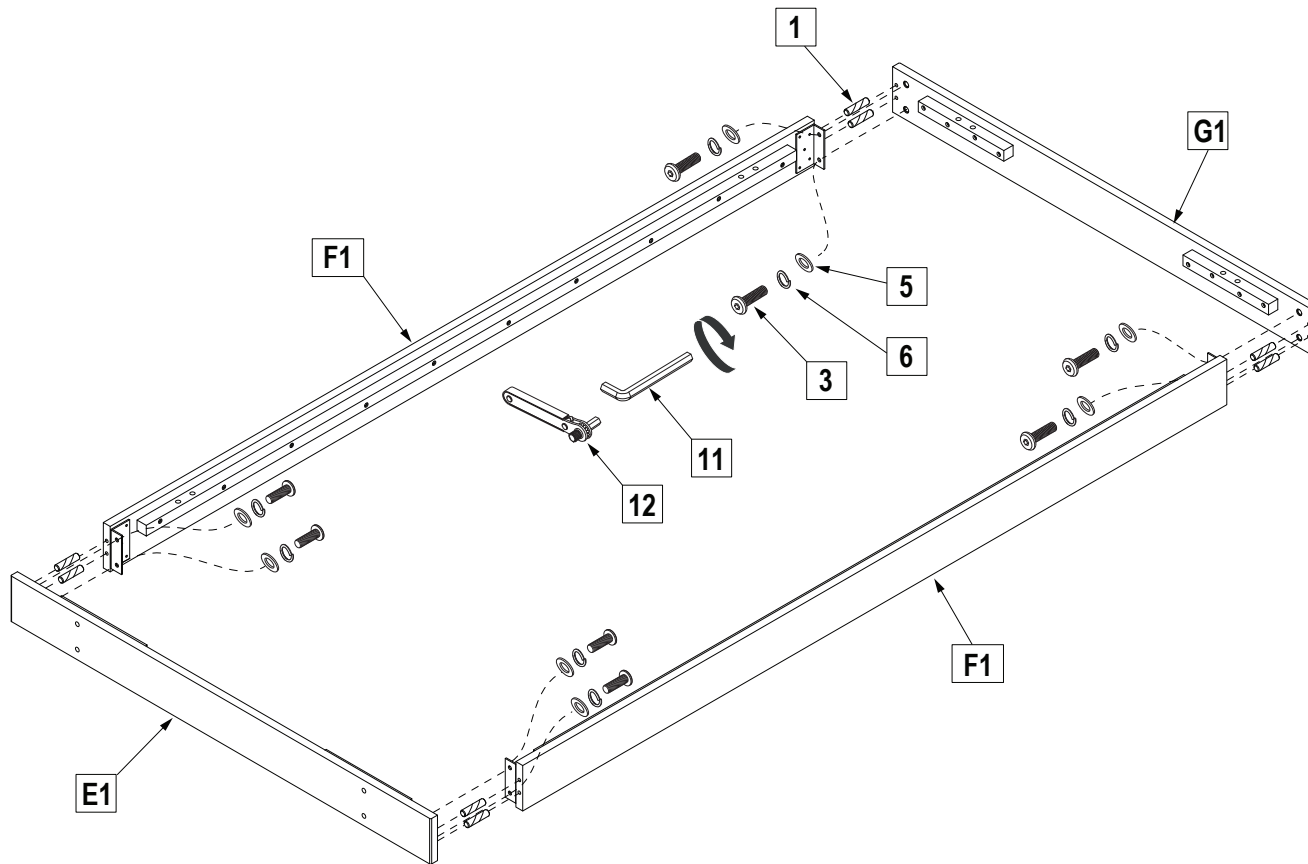


OPTION 2: Straight Headboard



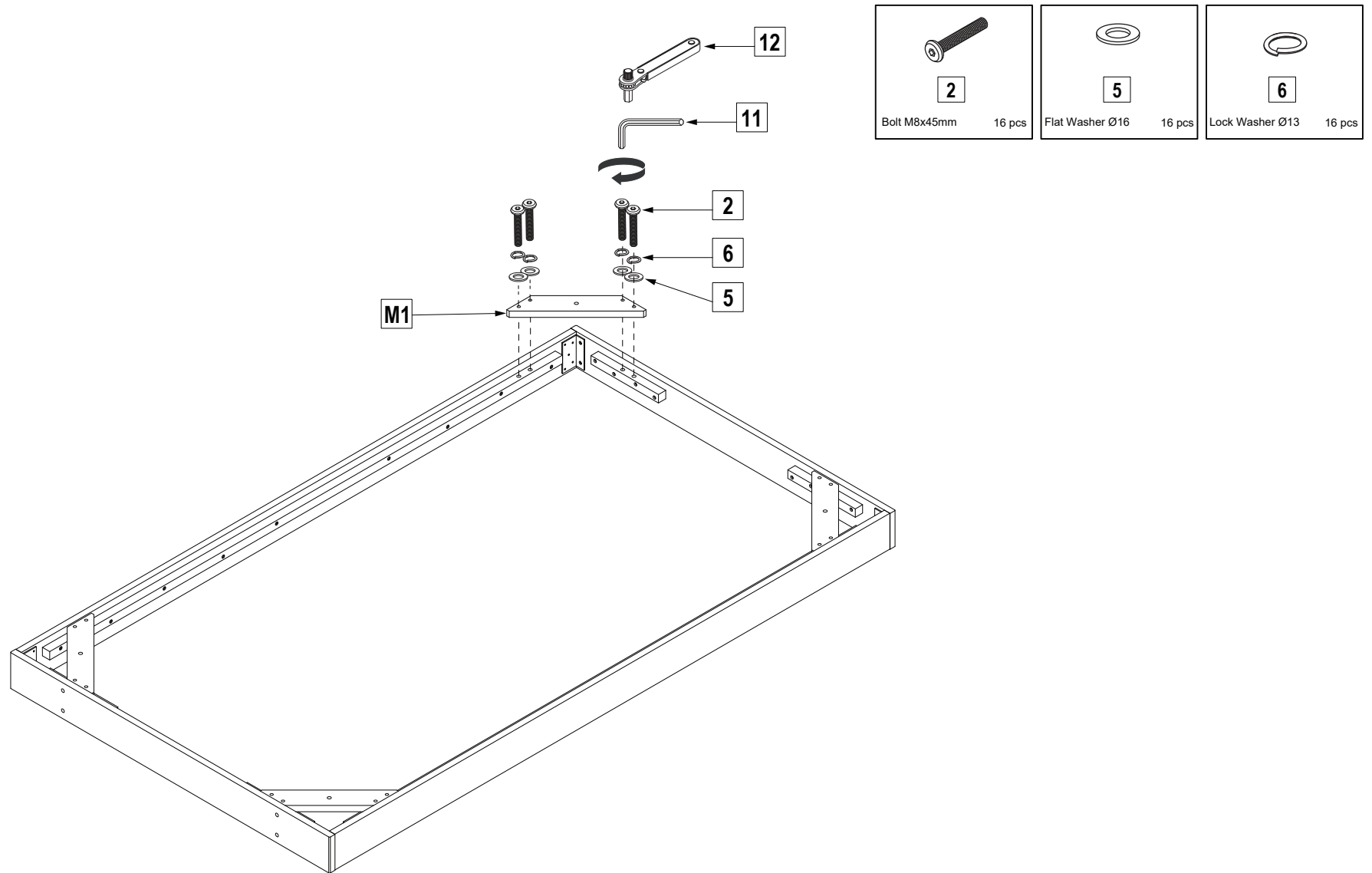
2

 1 Dowel Ø8x30mm 8 pcs	 3 Bolt M8x20mm 8 pcs	 5 Flat Washer Ø16 8 pcs	 6 Lock Washer Ø13 8 pcs
--	---	--	--



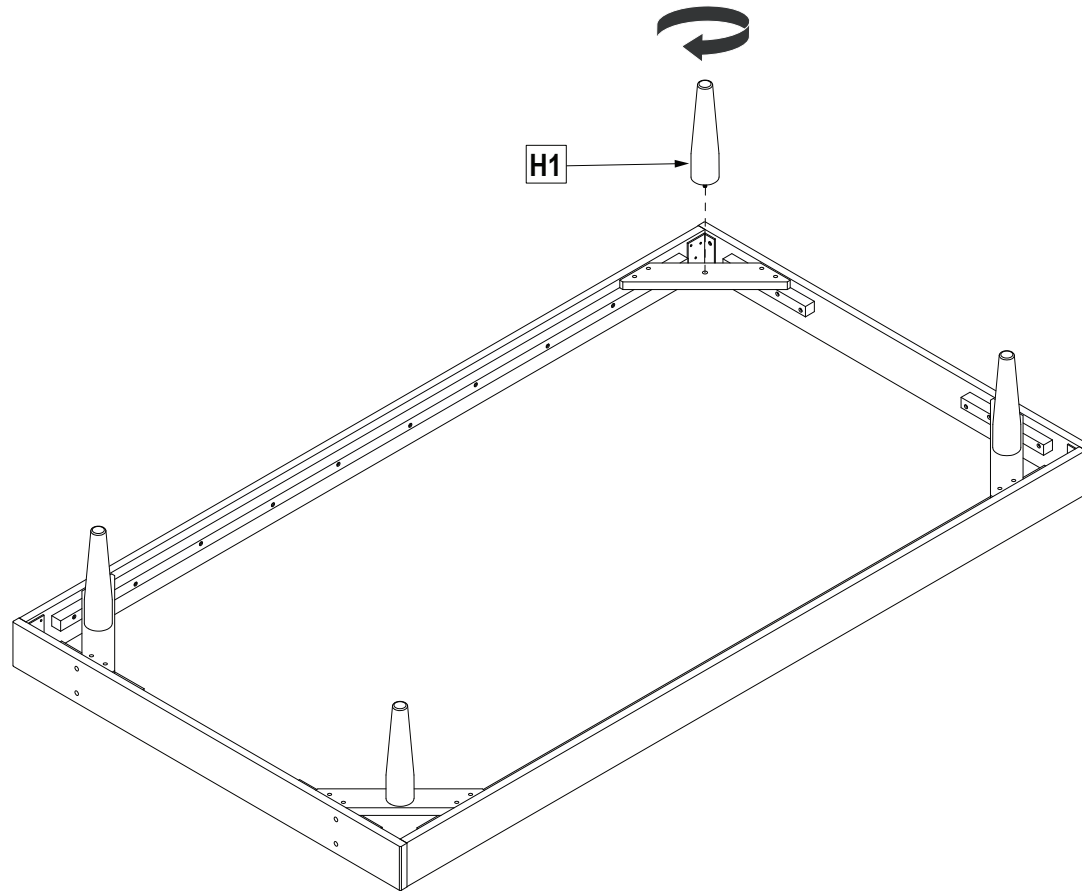
T BED

3



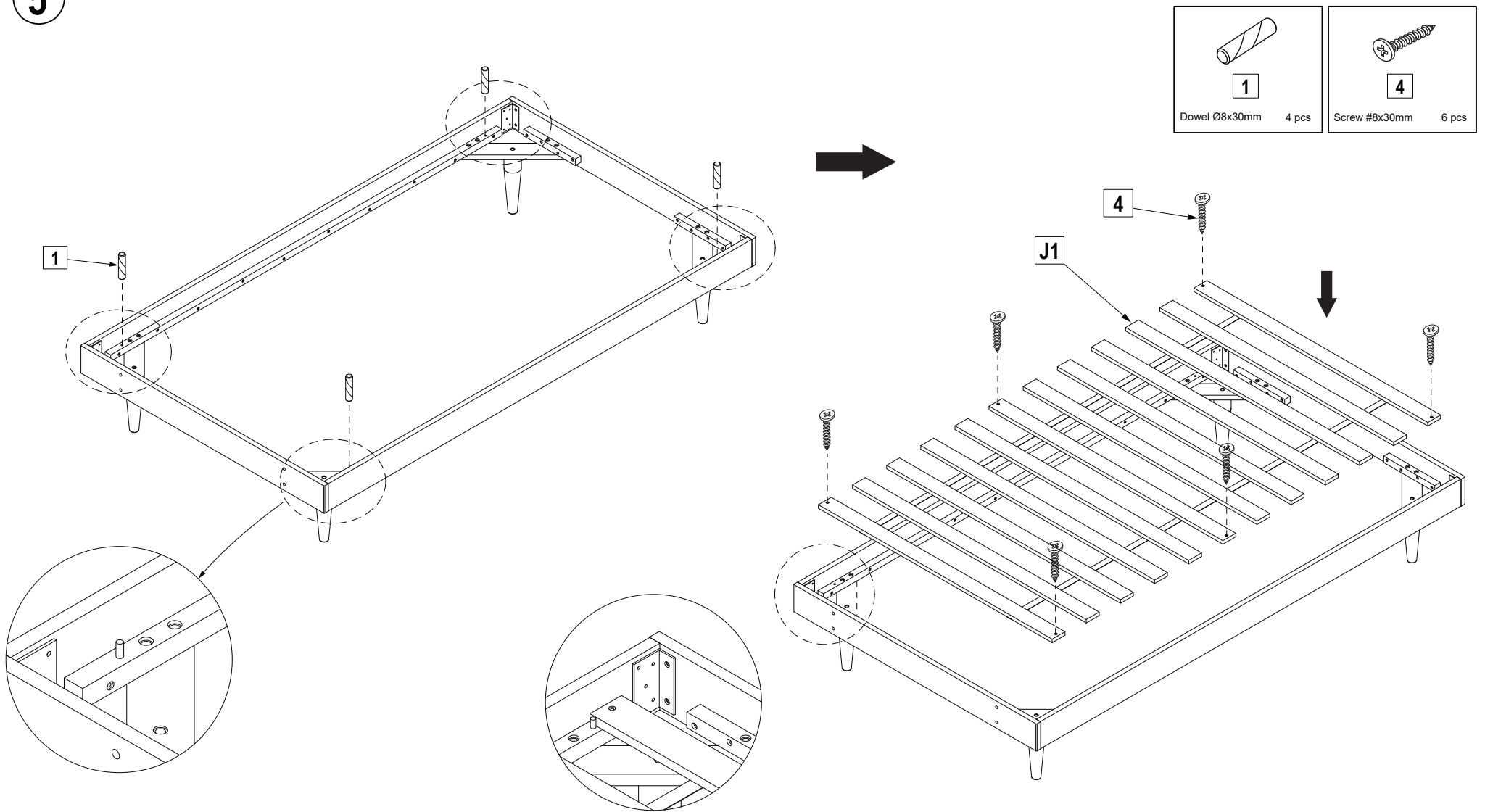
T BED

4

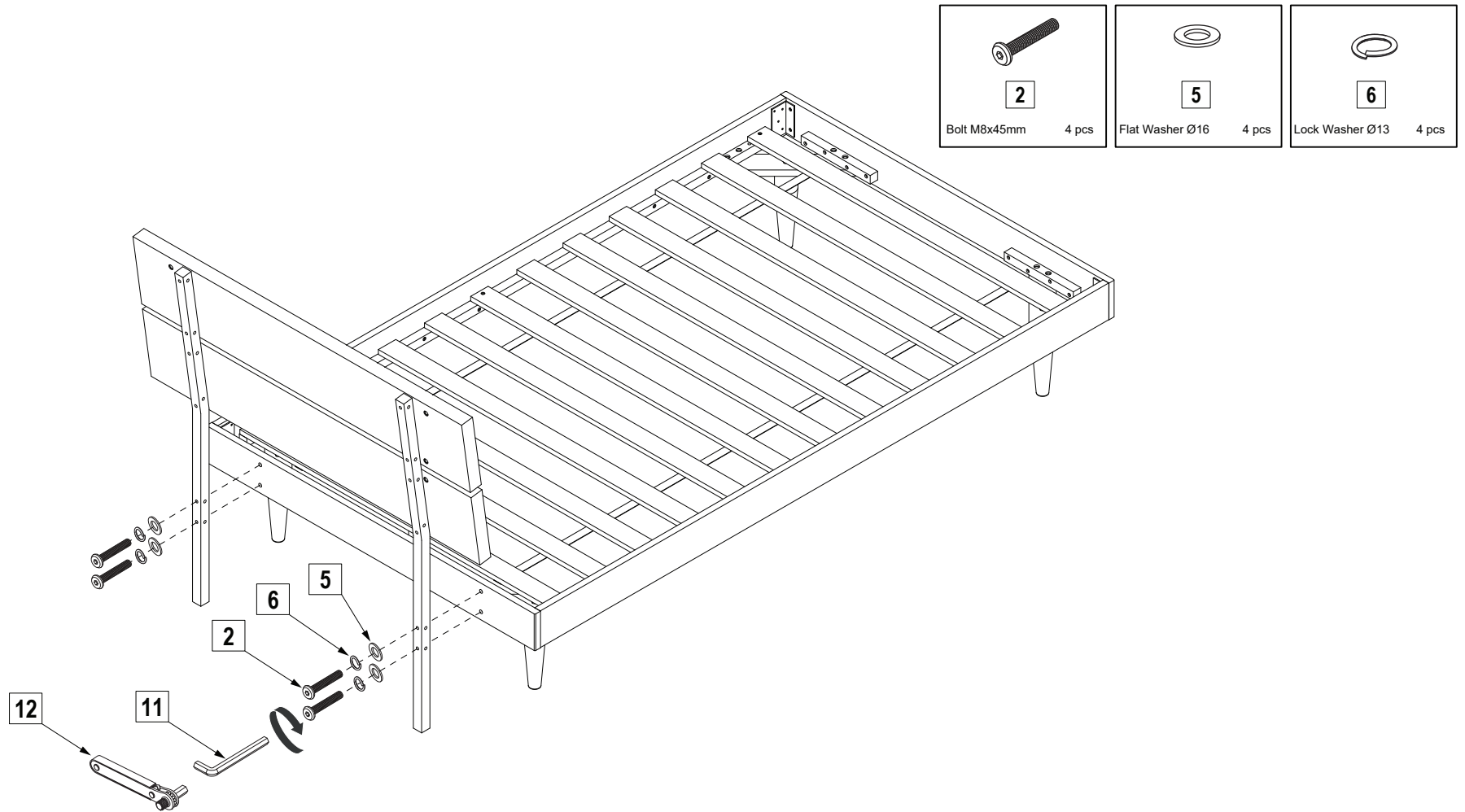


T BED

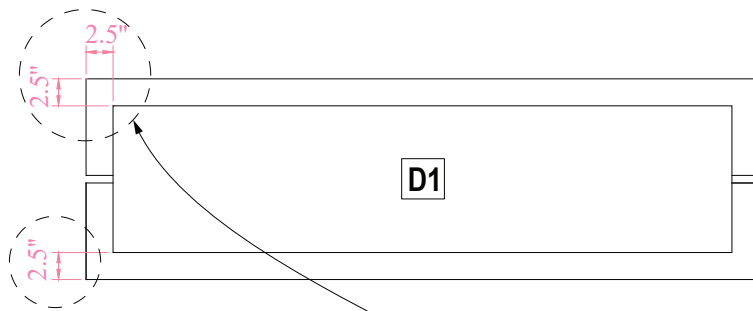
5







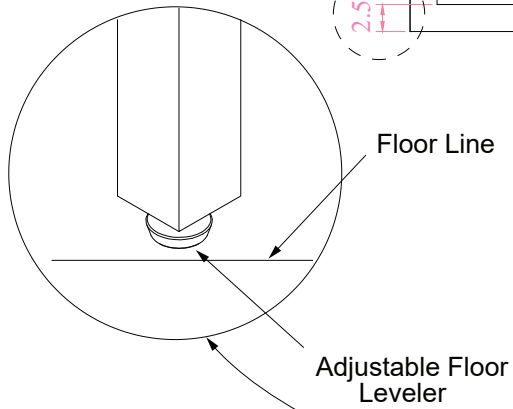
6



7



 <p>7 Star Knob 2 pcs</p>	 <p>8 Flat Washer Ø50 2 pcs</p>	 <p>9 Rubber Washer Ø50 2 pcs</p>	 <p>10 Plastic Tube Ø12"x25mm 2 pcs</p>
---	---	---	---



NOTE:

The center support leg glide sits approximately 1/4" off of the floor. The glide will usually touch the floor after a mattress is placed on the bedframe.

Do not place a mattress on bedframe until it is fully assembled and tightened. The bedframe should be located in your desired location. Sliding the bed with weight upon it can compromise the integrity of the center support legs.

