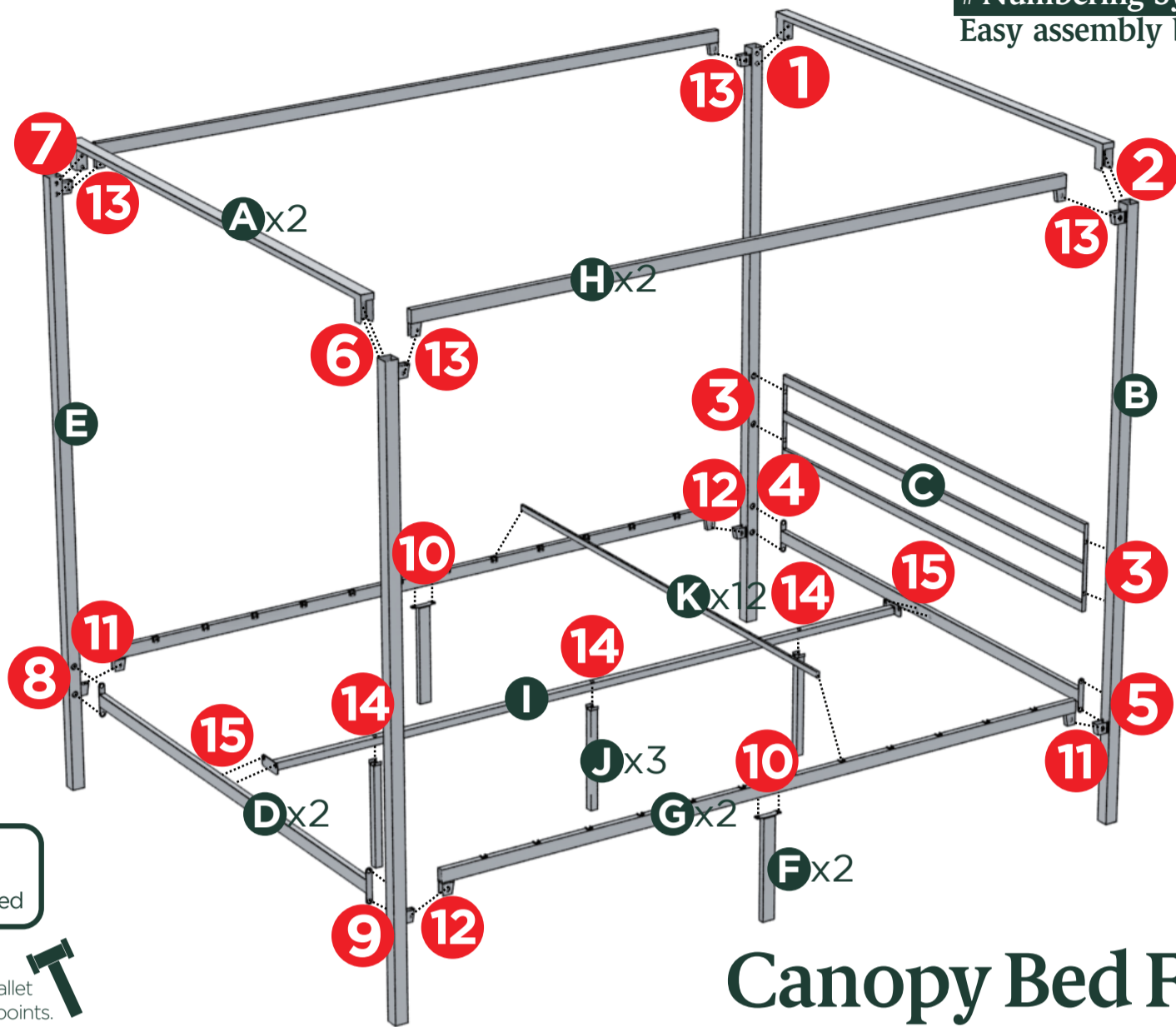


# Numbering System  
Easy assembly by following 1,2,3...

















\*Please use the rubber mallet to secure all connection points.



# Canopy Bed Frame

Available in Full, Queen and King

## Components

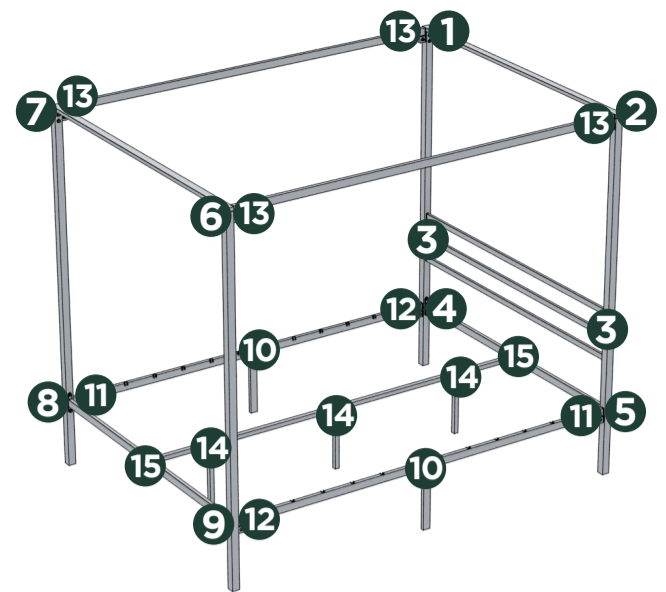
-  ----- **A** x 2 pcs
-  ----- **B** x 1 set
-  ----- **C** x 1 pc
-  ----- **D** x 2 pcs
-  ----- **E** x 1 set
-  ----- **F** x 2 pcs
-  ----- **G** x 2 pcs
-  ----- **H** x 2 pcs
-  ----- **I** x 1 pc
-  ----- **J** x 3 pcs
-  ----- **K** x 12 pcs
-  ----- **S** x 36 pcs
-  ----- **M** x 3 pcs
-  ----- **L** x 1 pc

# Easy as 1 2 3

## Assembly Instruction

Numbers must Match for Secure Assembly

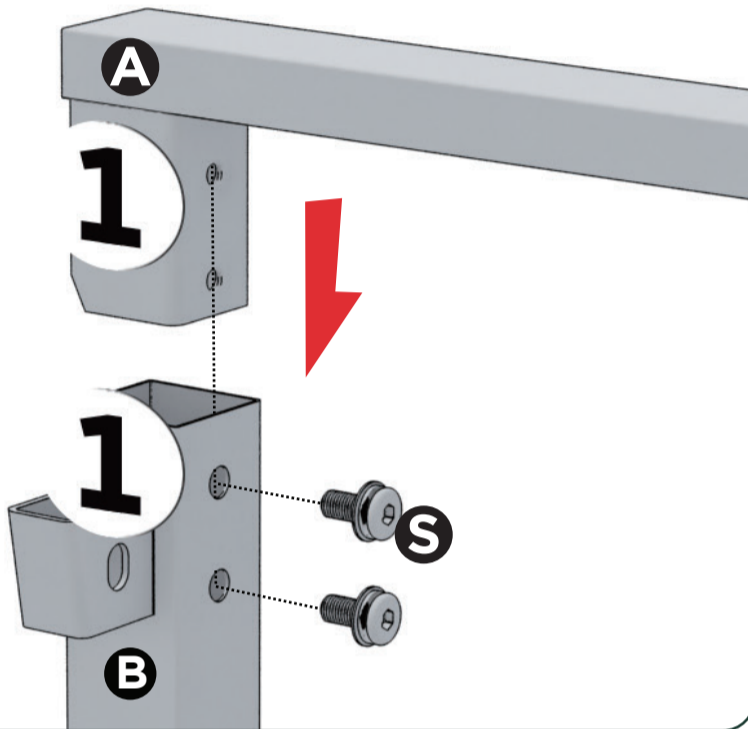
1 2 3 ... 15



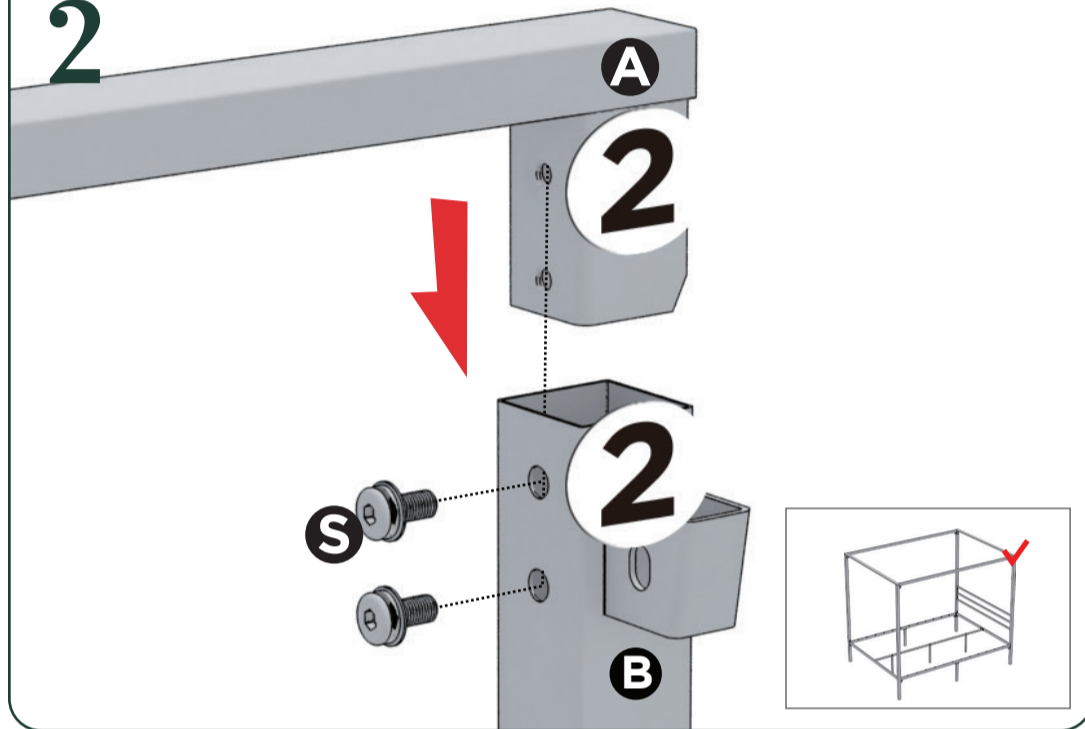
## Canopy Bed Frame

Available in Full, Queen and King

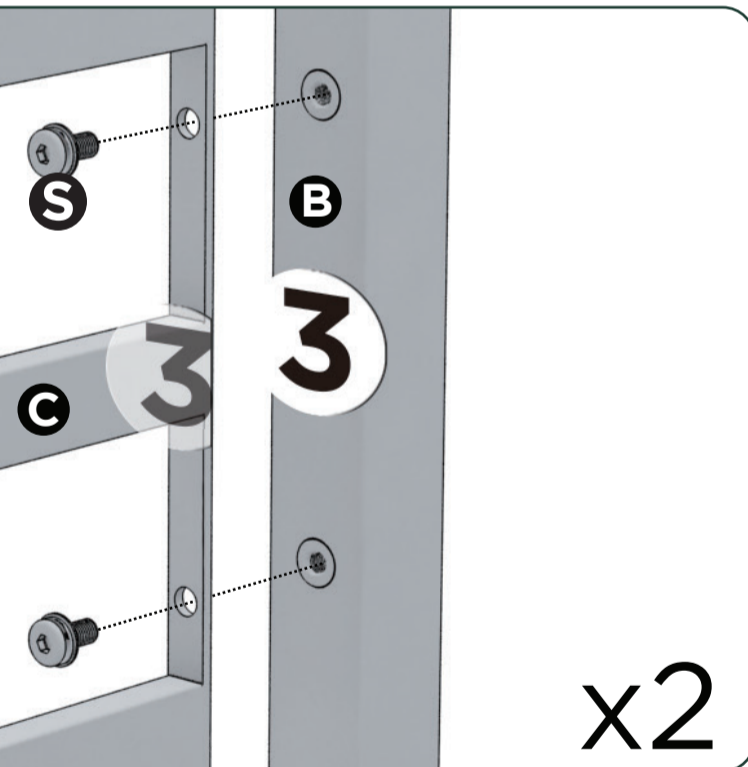
1



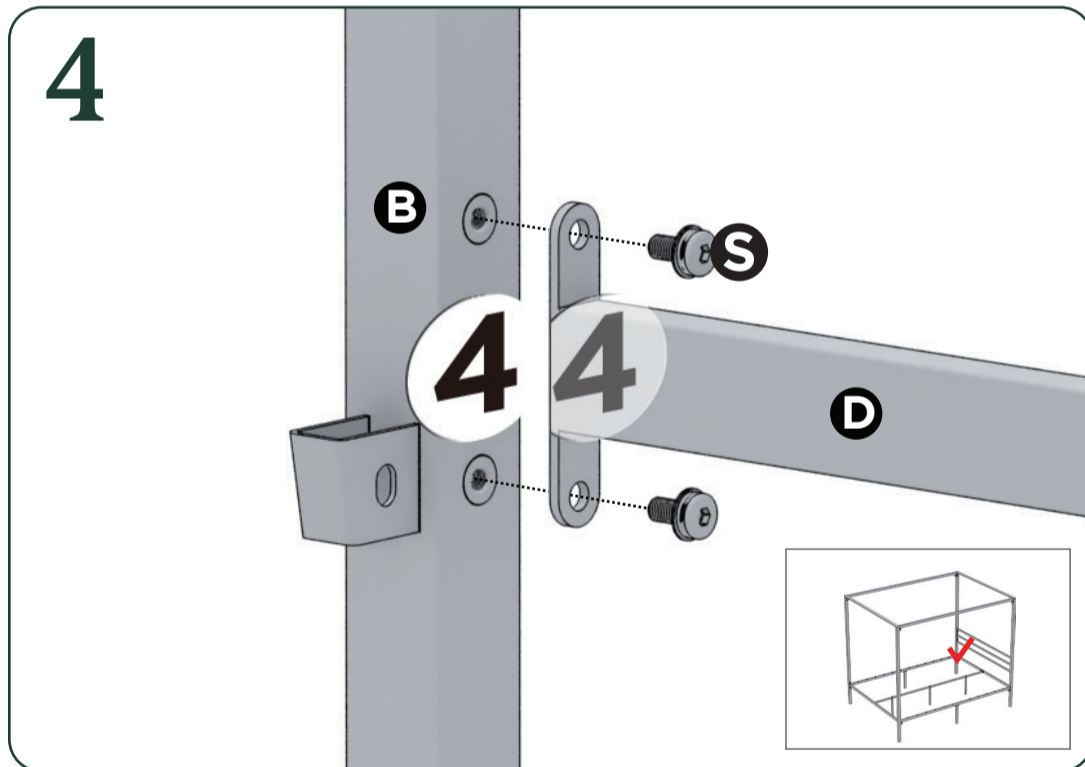
2



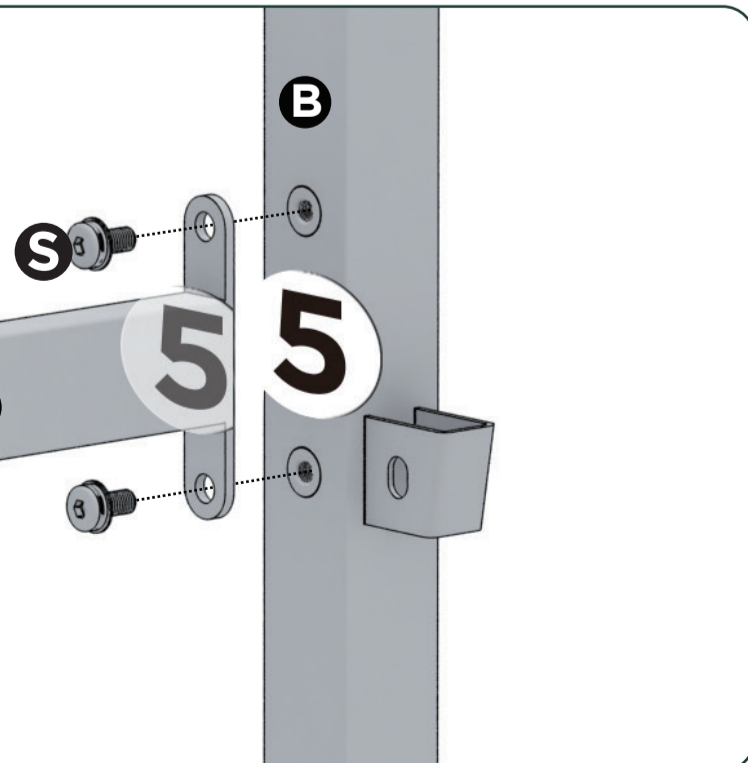
3



4



5



6

