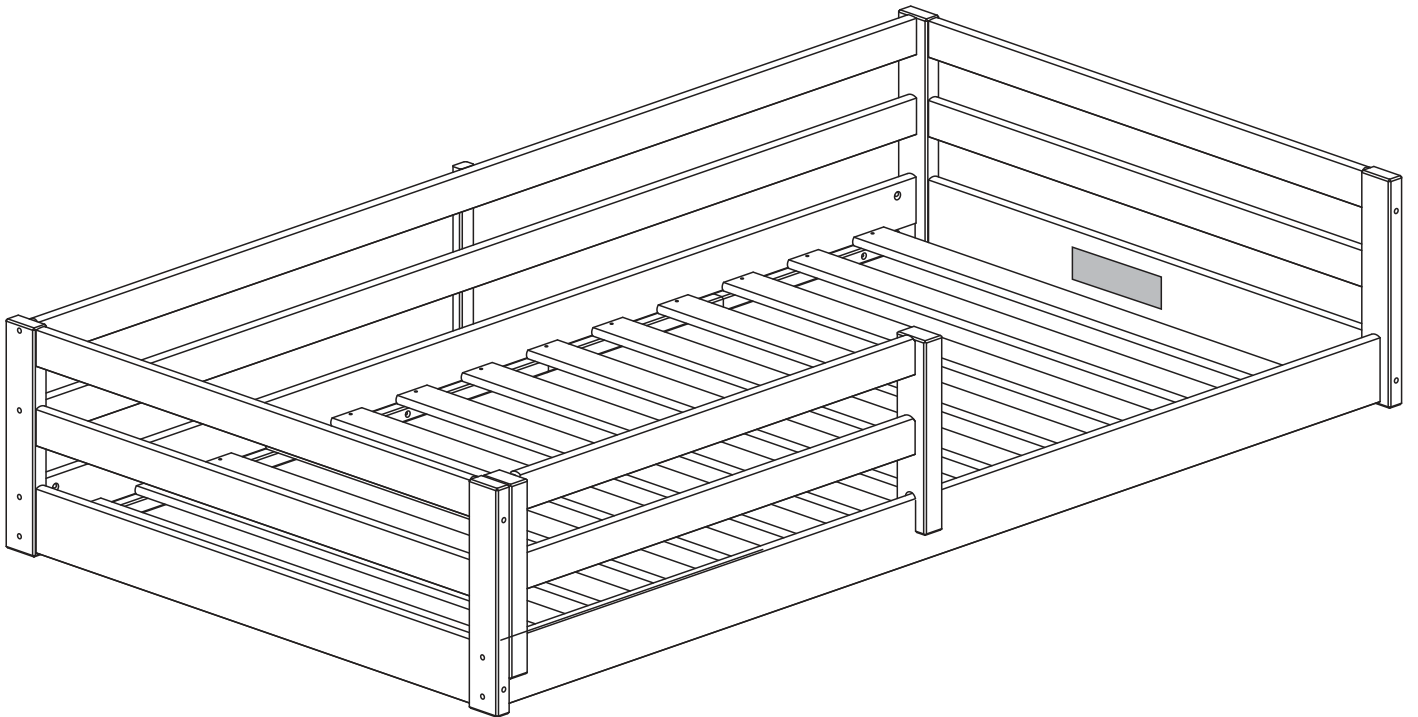


# TWIN GUARDRAILS BED



# ASSEMBLY INSTRUCTIONS

## SAFETY WARNINGS!

- Failure to follow these warnings and the assembly instructions could result in serious injury or death.
- Read all instructions before assembling. Keep instructions for future use.
- Upon completion of assembly, make sure all screws, bolts and fasteners have been securely tightened.
- A frequent and periodically check should be made to confirm all the screws and nuts remain tight.
- Never use this product if there are any loose, missing fasteners, loose joints, broken parts, or torn mesh/fabric.

Contact us for replacement parts and instructional literature if needed.

- Never substitute parts, the product including side rails, must be fully erected prior to use.
- Never use bed for infants, this toddler bed is not a substitute for a crib, the toddler bed is used for a child between the age of 15 months to 5 years with a maximum weight of 50 pounds
- Never use plastic shipping bag or other plastic film as a mattress covers not sold and intended for that purpose, they can cause suffocation.
- Caution entrapment hazard: to avoid dangerous gaps, any mattress used in this bed shall be full size crib mattress at least **74** in (**1900** mm) in length, **37 3/4** in (**960** mm) in width and 5 in (127mm) in thickness, or greater, but not exceed 6 in. (150mm).
- Never use a water mattress with this toddler bed.
- **Warning** strangulation hazard: strings can cause strangulation!

Never place bed near window where cords from blinds or drapes may strangle a child. Never suspend strings over bed.

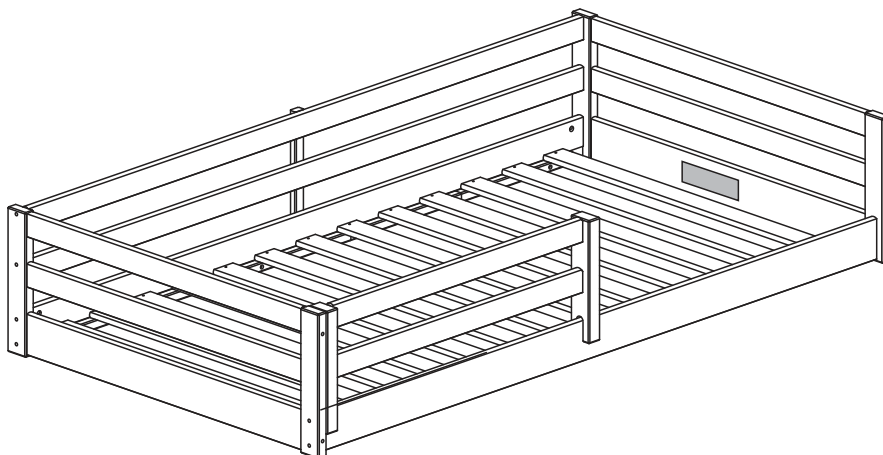
Never place items with a string cord, or ribbon, such as hood strings, pacifier cords around a child's neck. These items may catch on bed parts.

· **Warning:** infants have died in toddler beds from entrapment. Openings in and between bed parts can entrap head and neck of a small child. Never use bed with children under 15 months. Always follow the assembly instructions.

· To reduce the risk of sids, pediatricians recommend healthy infants be placed on their back to sleep, or advised by your physician.

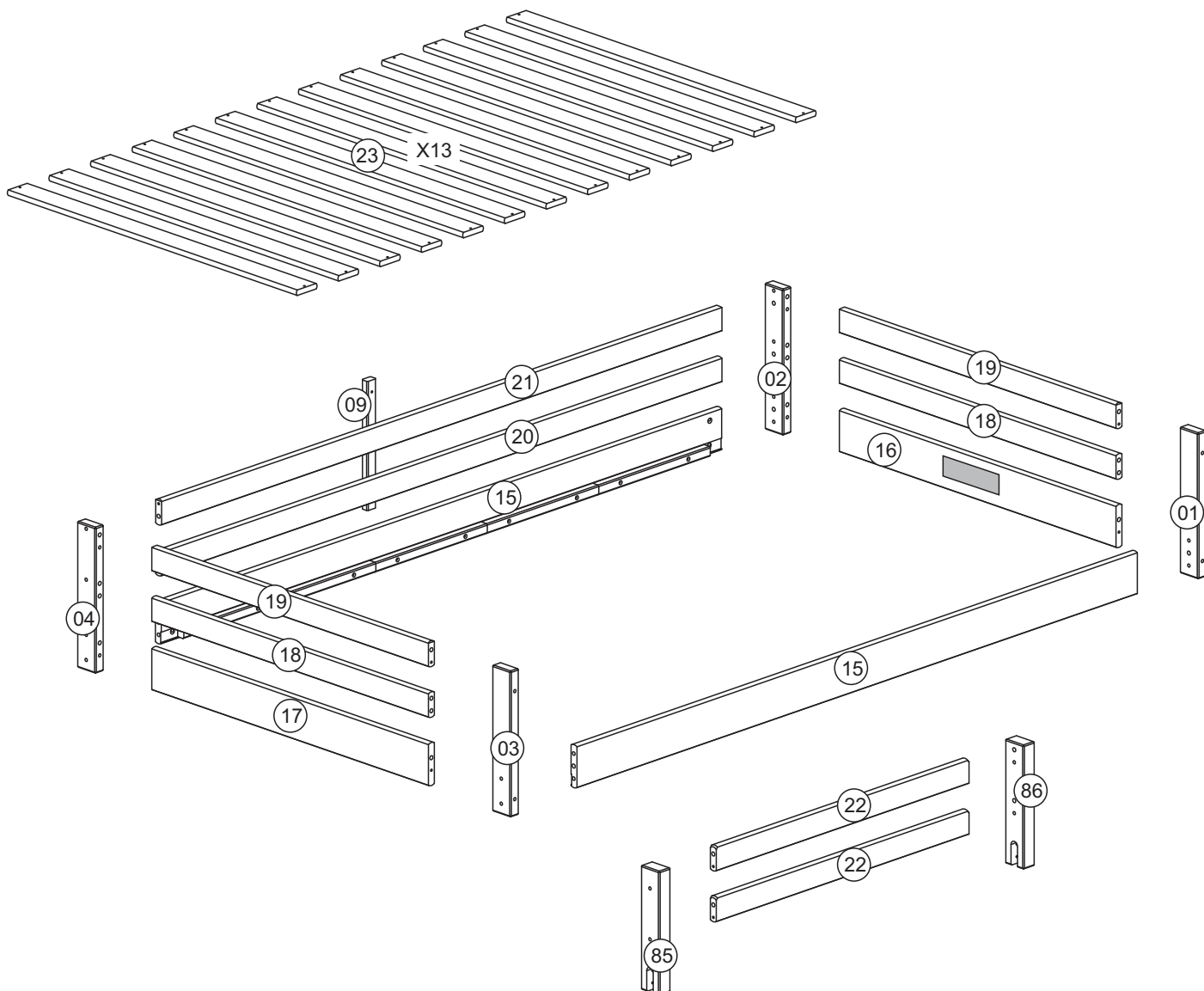
· Do not use bed if the space between bed and solid objects is less than 12in(31cm), a child could slide into the space and suffocate.

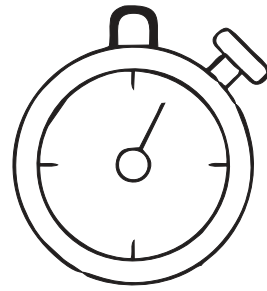
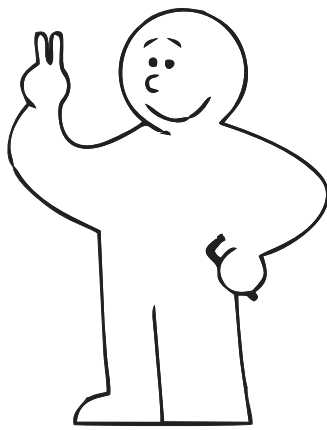
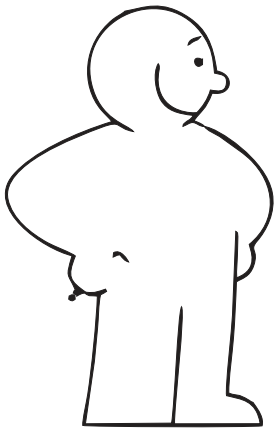
· If refinishing, use a non-toxic finish specified for children's products. To wash, clean with mild soap and damp cloth. To store, please keep in a cool place.



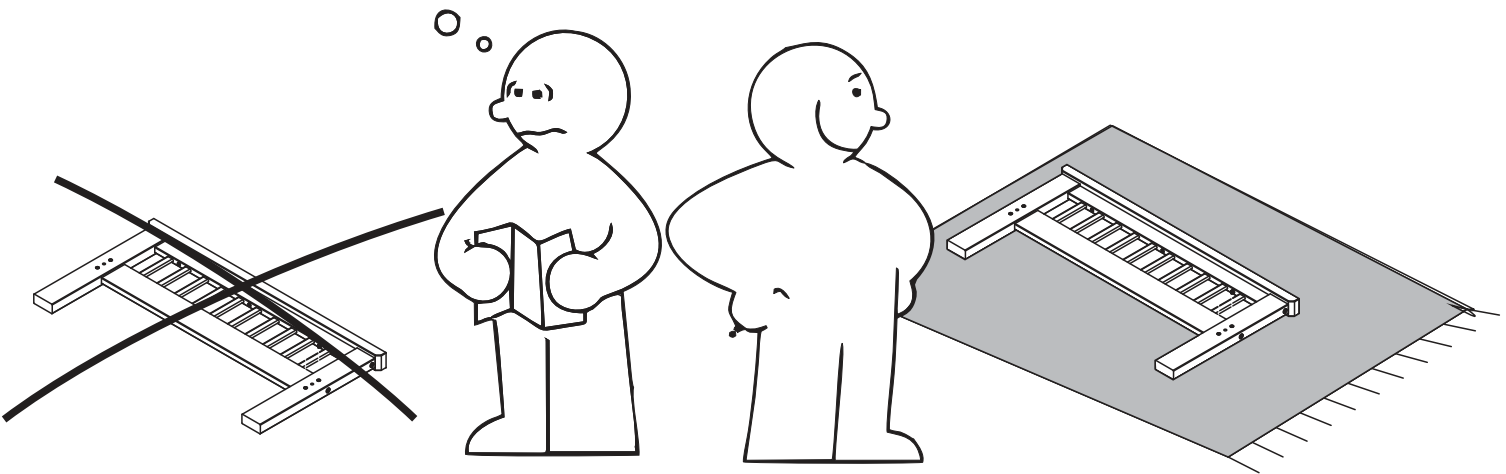
**IMPORTANT: PLEASE READ INSTRUCTIONS BEFORE STARTING THE ASSEMBLY**

| Part | Description | Dimensions (in) | Qty. |
|------|-------------|-----------------|------|
| 01   | Right foot  | 14,68 x 2,48    | 01   |
| 02   | Left foot   | 14,68 x 2,48    | 01   |
| 03   | Right foot  | 14,68 x 2,48    | 01   |
| 04   | Left foot   | 14,68 x 2,48    | 01   |
| 09   | Support     | 12,99 x 1,18    | 01   |
| 15   | Side rails  | 74,80 x 4,33    | 02   |
| 16   | Large rail  | 36,93 x 4,33    | 01   |
| 17   | Large rail  | 36,93 x 4,33    | 01   |
| 18   | Rail        | 36,93 x 2,56    | 02   |
| 19   | Rail        | 36,93 x 2,56    | 02   |
| 20   | Rail        | 74,80 x 2,56    | 01   |
| 21   | Rail        | 74,80 x 2,56    | 01   |
| 22   | Rail        | 33,74 x 2,56    | 02   |
| 23   | Slats       | 38,58 x 2,76    | 13   |
| 85   | Support     | 12,48 x 2,48    | 01   |
| 86   | Support     | 12,48 x 2,48    | 01   |

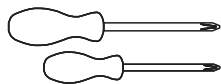
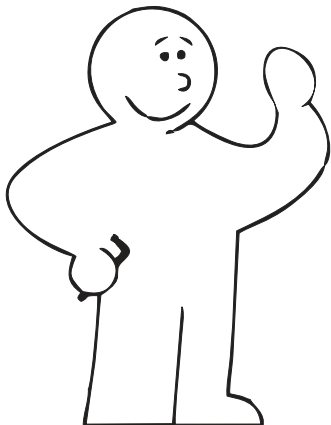




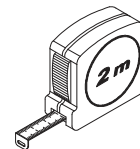
**60 Min**



### Tools required



Phillips screwdriver  
(medium & large)



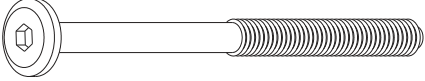
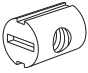
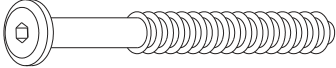

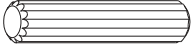

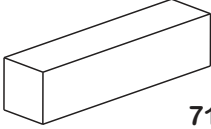

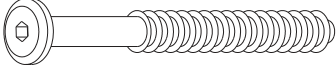
Ruler/tape  
measure



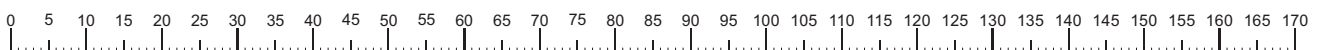
Small  
hammer



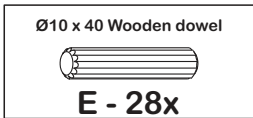
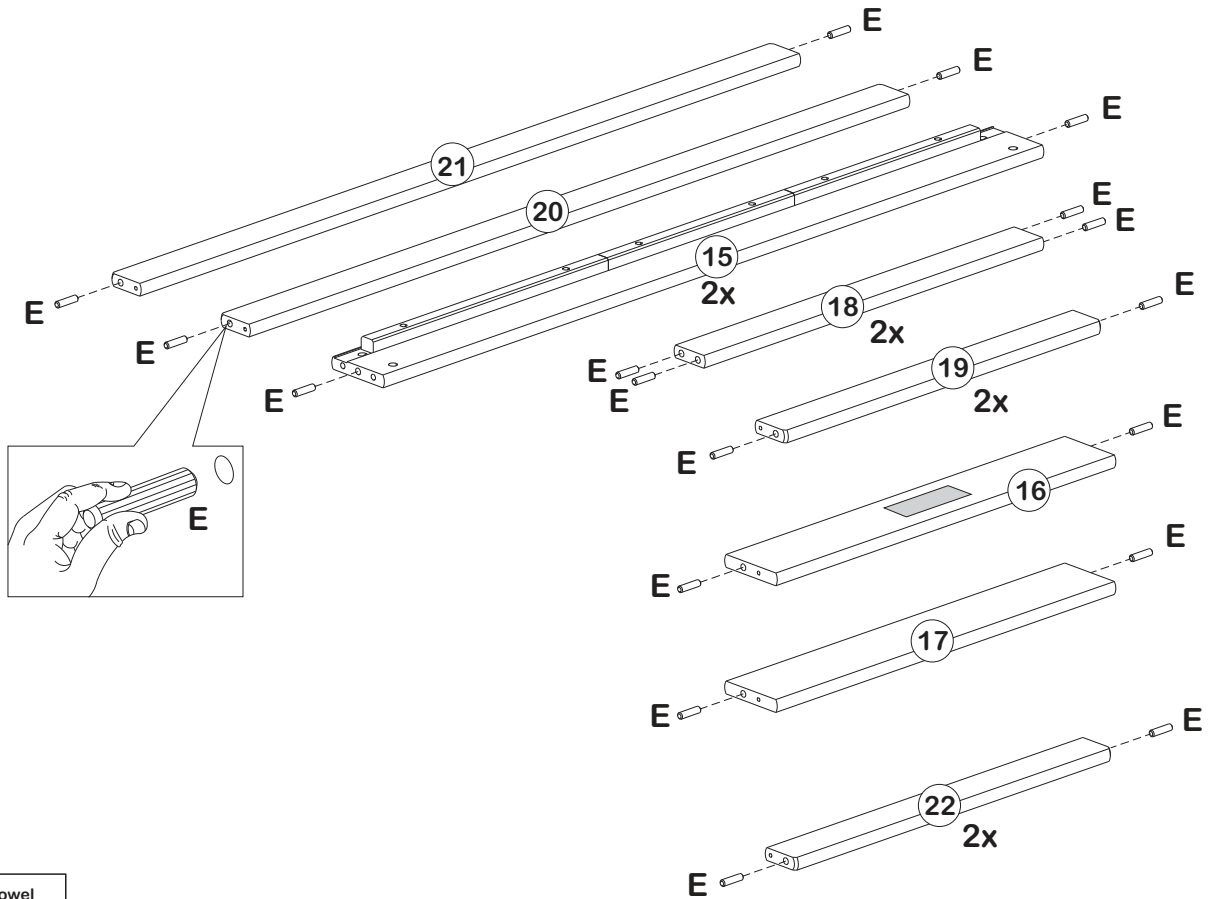
Eye protection  
(when using a  
hammer or glue)

|          |  |           |
|----------|--|-----------|
| <b>A</b> | <br>1/4 X 80 X 17mm Bolt    | <b>08</b> |
| <b>B</b> | <br>1/4 Nut                 | <b>08</b> |
| <b>C</b> | <br>Ø7 X 80 X 17mm Bolt     | <b>04</b> |
| <b>D</b> | <br>Ø7 X 100 X 17mm Bolt   | <b>08</b> |
| <b>E</b> | <br>Ø10 X 40mm Wooden dowel | <b>28</b> |
| <b>F</b> | <br>Ø4,0 X 35mm Screw       | <b>33</b> |
| <b>G</b> | <br>71mm Wood Block       | <b>02</b> |
| <b>H</b> | <br>ALLEN KEY             | <b>01</b> |
| <b>J</b> | <br>Ø7 X 70 X 17mm Bolt   | <b>04</b> |

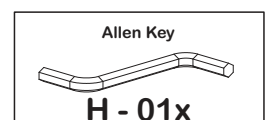
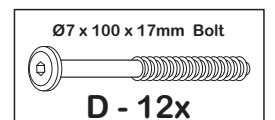
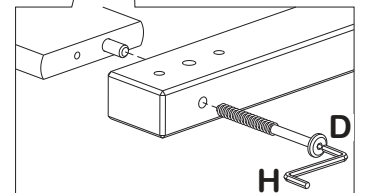
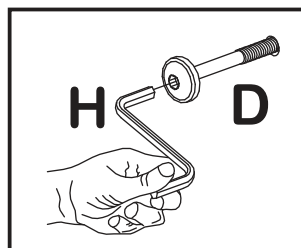
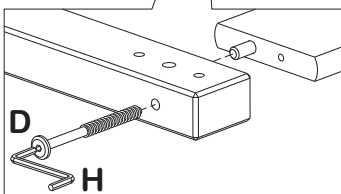
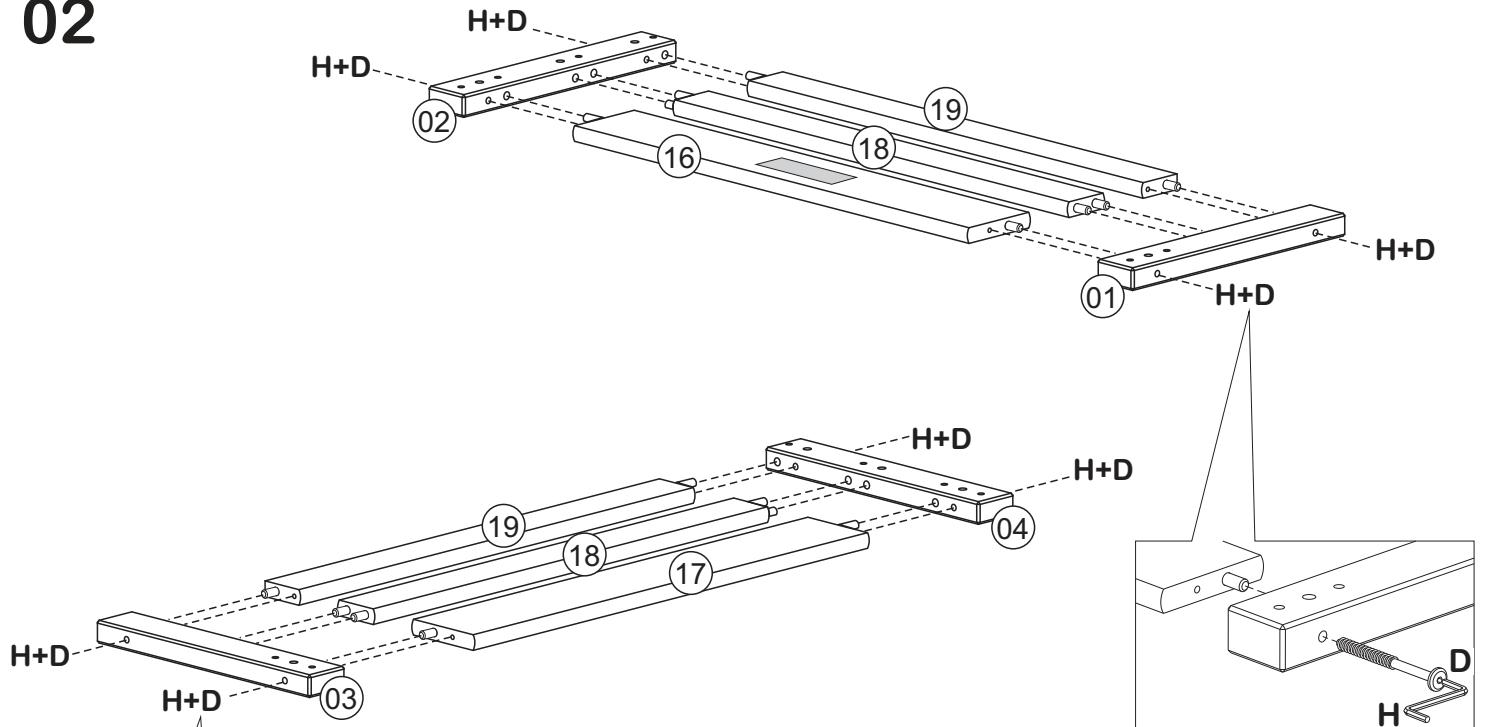
Ruler - Use this ruler to help correctly identify the screws



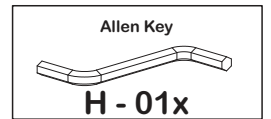
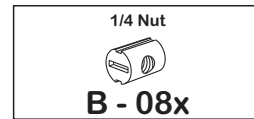
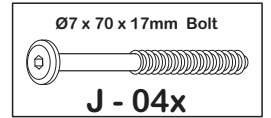
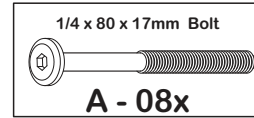
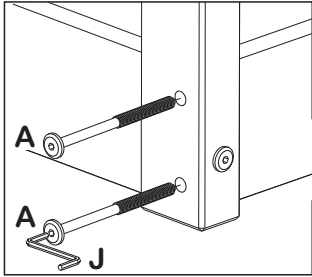
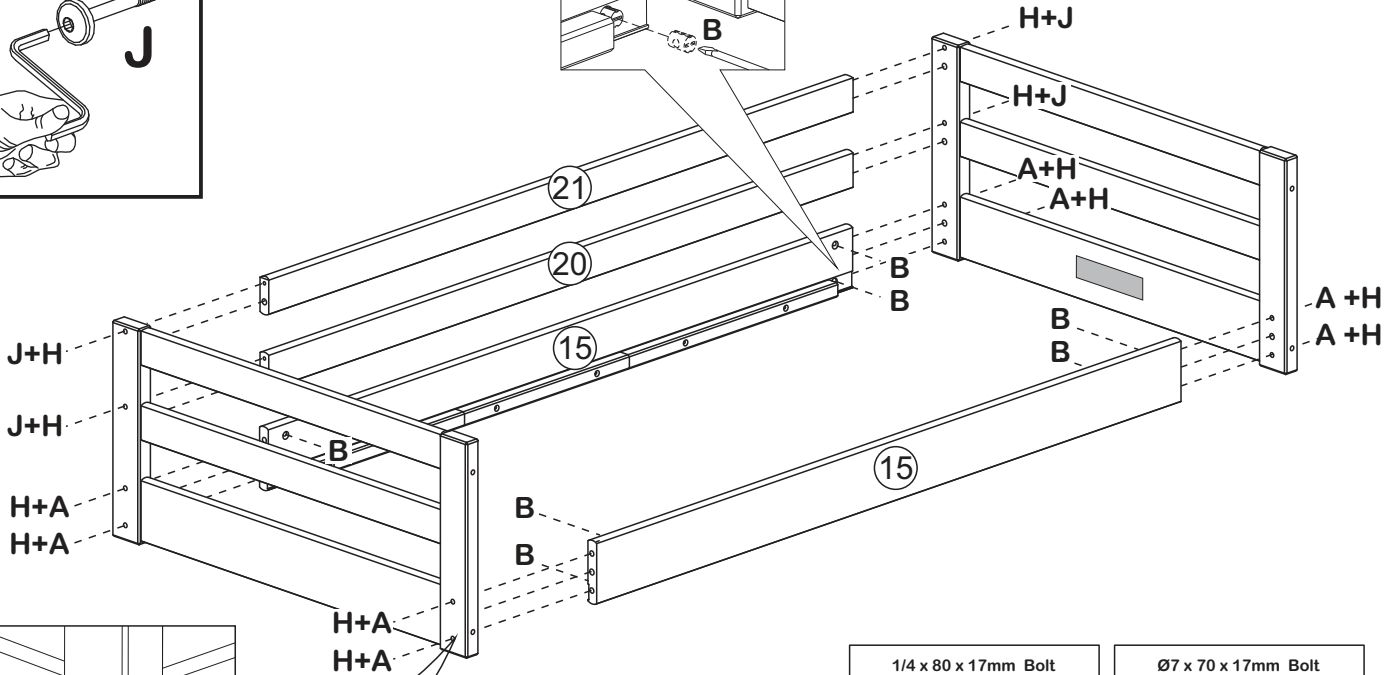
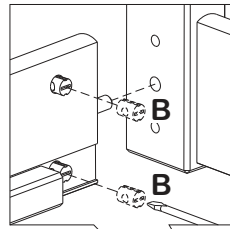
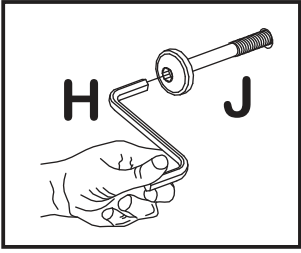
# 01



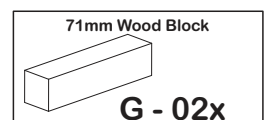
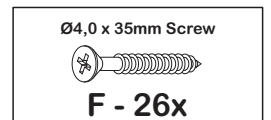
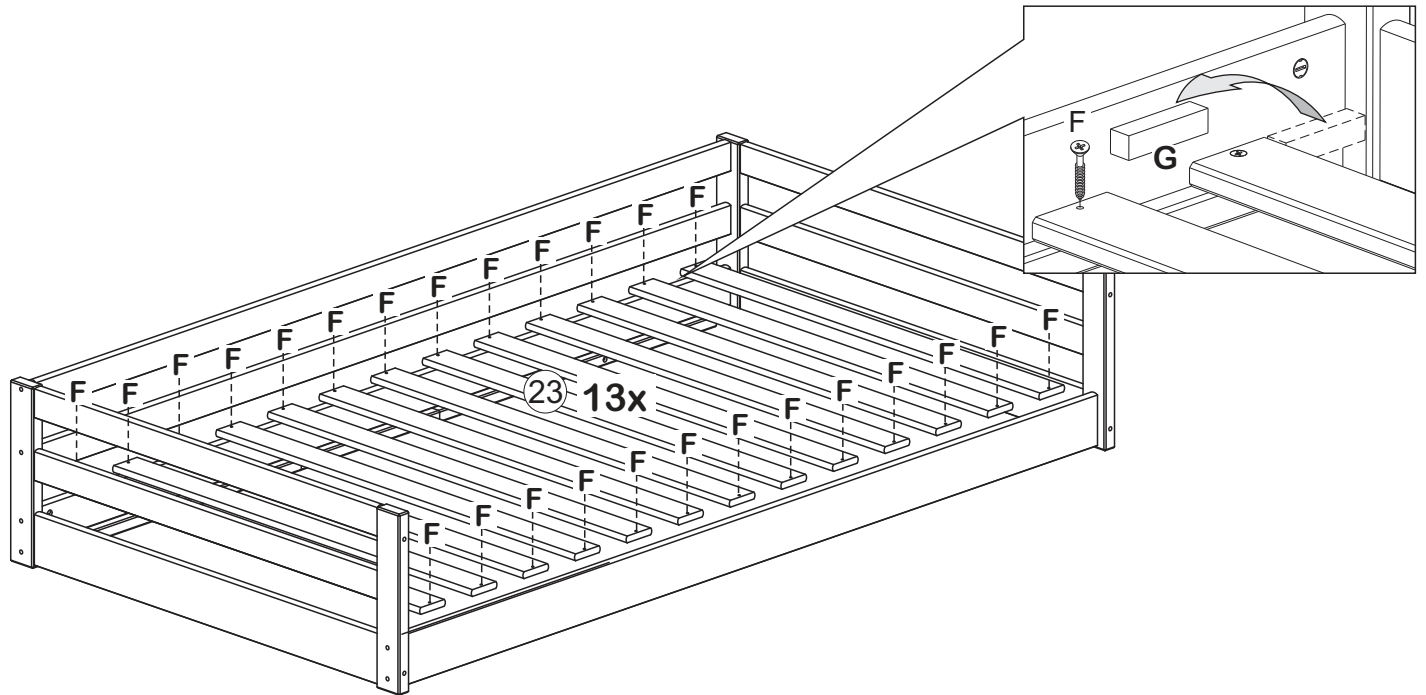
# 02



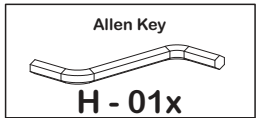
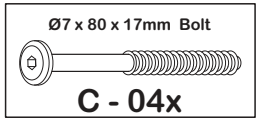
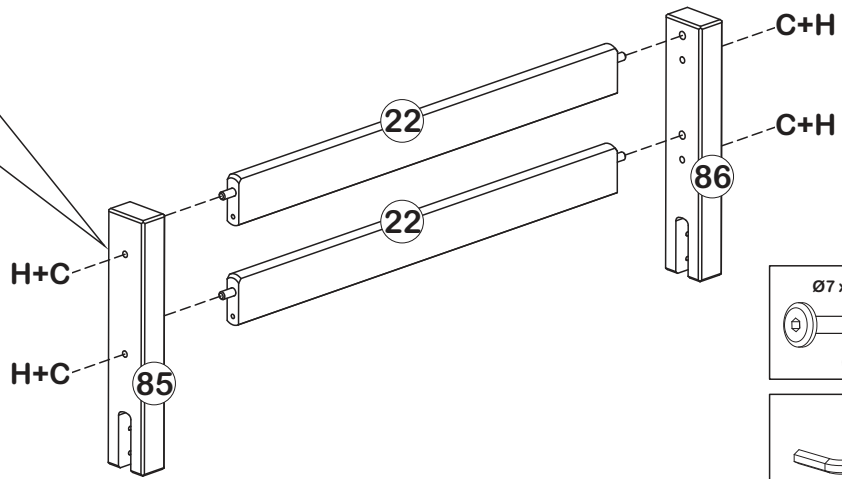
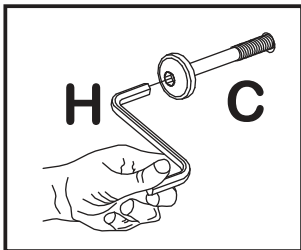
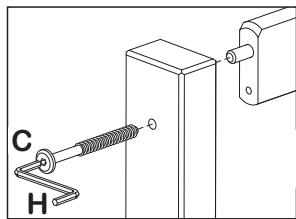
# 03



# 04



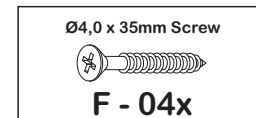
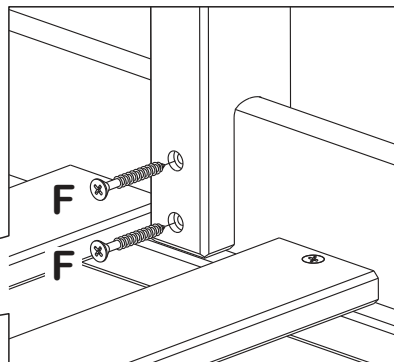
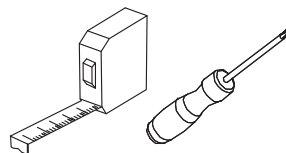
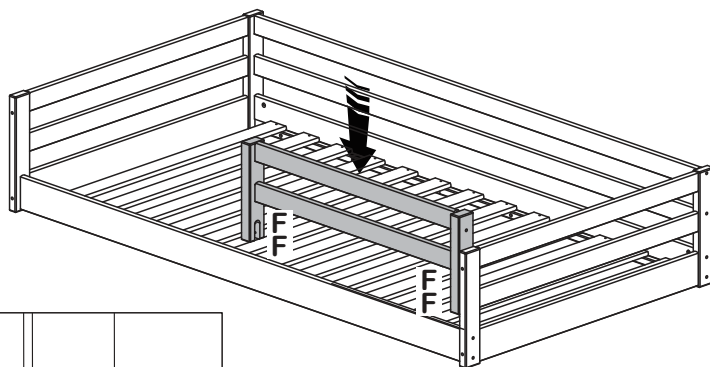
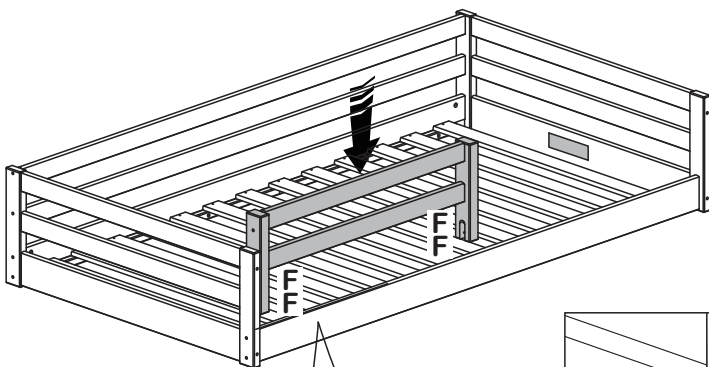
05



06

Option 01

Option 02



07

