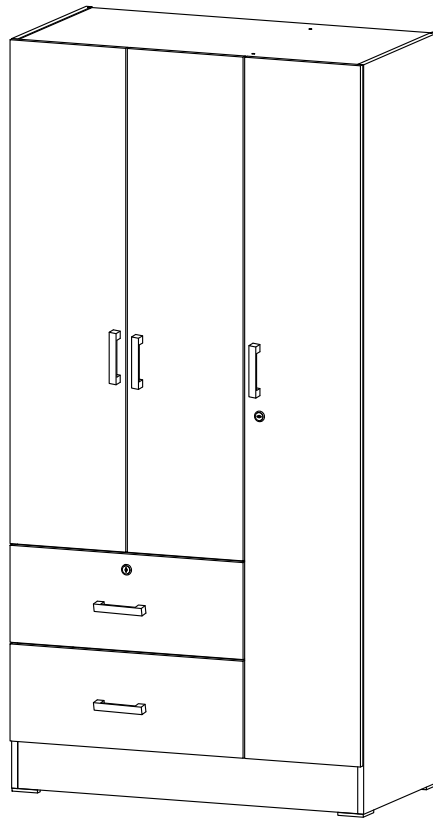


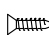



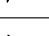
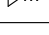


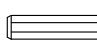




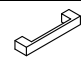




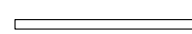





Owner Manual



Hardware List

Hardware List			
A1		Screw m3.5 x 12mm	2 pcs
A2		Screw m3.5 x 14mm	110 pcs
A4		Screw m3.5 x 20mm	8 pcs
A7		Screw m4 x 30mm	10 pcs
A10		Screw m4 x 38mm	8 pcs
A17		Screw m6.3 x 40mm	34 pcs
A34		Euro Screw m5 x 8mm	8 pcs
A40		TH Screw m4 x 10mm	4 pcs
C5		Square Lock Set	2 sets
C8		Square Lock L Bracket	2 pcs
D4		Wood Dowel 6 x 25mm	16 pcs
E4		Soft Closing Hinge 2/8	2 pcs
E5		Soft Closing Hinge 5/8	5 pcs
E21		Anti-Tipping Pack	2 sets
F2		Mini Fit 15mm	8 sets
H21		Handle 128mm	5 pcs
L1		Leg Pin	2 pcs
L2		Plastic Leg L Shape	4 pcs
M19		2 Way Slide_406mm	2 sets
N1		Allen Key	1 pc
P		Hanging Steel Pipe 18mm x 588mm	1 pc
R1		L Bracket	2 pcs
R2		Single Plastic Cap	38 pcs
Y		Crosshead Cover	28 pcs

*** Extra screw for your commitment.**

*** Please assemble flat or nice service.**

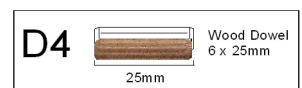
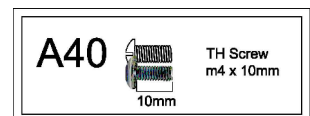
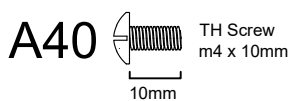
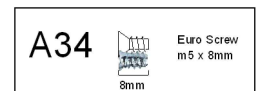
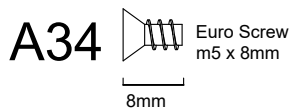
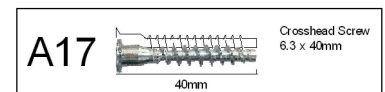
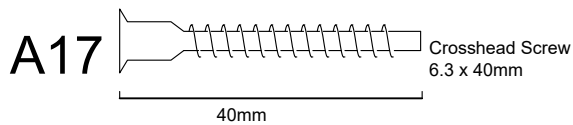
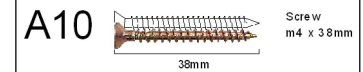
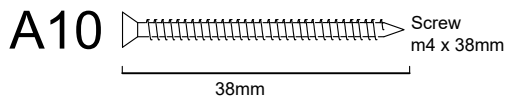
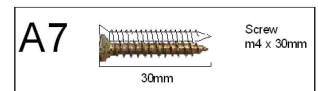
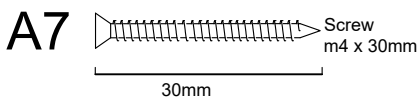
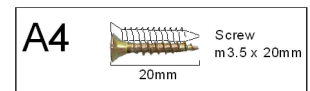
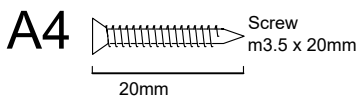
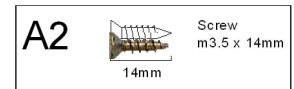
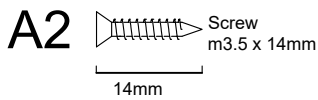
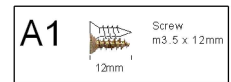
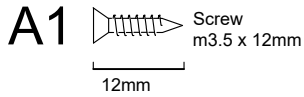
"Congratulations on Your Recent Purchase! Here Are Some Tips Before You Begin Assembling:"

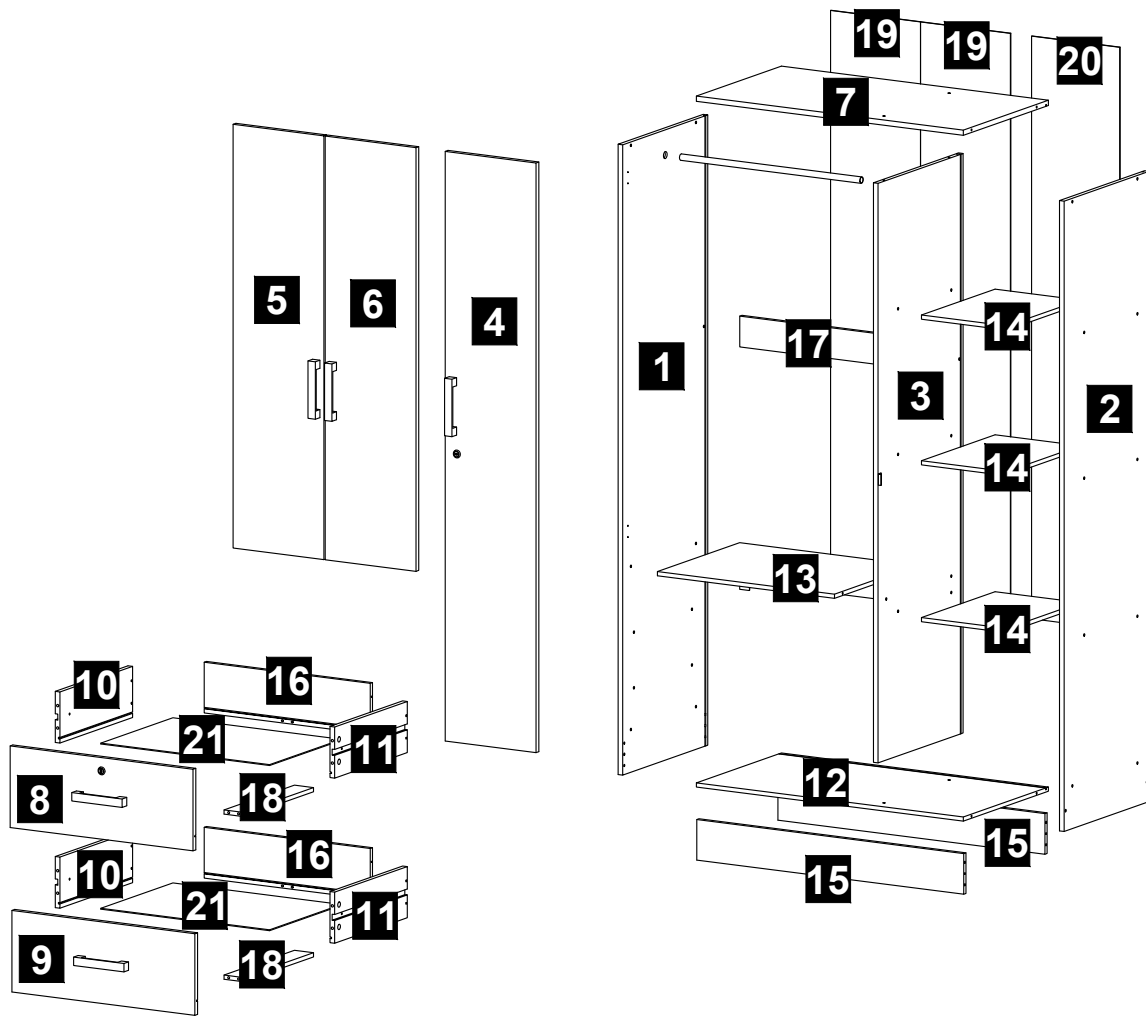
"Preparing for your exciting new purchase? Be sure to set yourself up for a smooth assembly process by following these steps:"

- First, we recommend using a rug or any large clean surface as your workspace to provide a sturdy base for assembly.
- Next, it is important to separate all components and identify each part by their designated letters. This will make it easier to follow the assembly instructions and ensure all pieces are placed correctly.
- Additionally, on a clean surface separate and identify all screws lengths and hardware. You can use the assembly instructions as a guide and place the screws on top of the actual size pictured. This will save you time and confusion during the assembly process.
- Finally, we highly encourage you to carefully read through the assembly instructions and start from step one. Follow each step diligently until your new purchase is fully assembled. However, if you have any questions or need further assistance, please do not hesitate to reach out to us via email.

**Thank you again for choosing our product.
We wish you all the best and happy assembling!**

Place your screw on top of the scale to identify their size.





Parts List		
1	Side Panel (L)	1 pc
2	Side Panel (R)	1 pc
3	Center Panel	1 pc
4	Big Door Panel	1 pc
5	Door Panel (L)	1 pc
6	Door Panel (R)	1 pc
7	Top Panel	1 pc
8	Drawer Front Panel (Lock)	1 pc
9	Drawer Front Panel	1 pc
10	Drawer Side Panel (L)	2 pcs

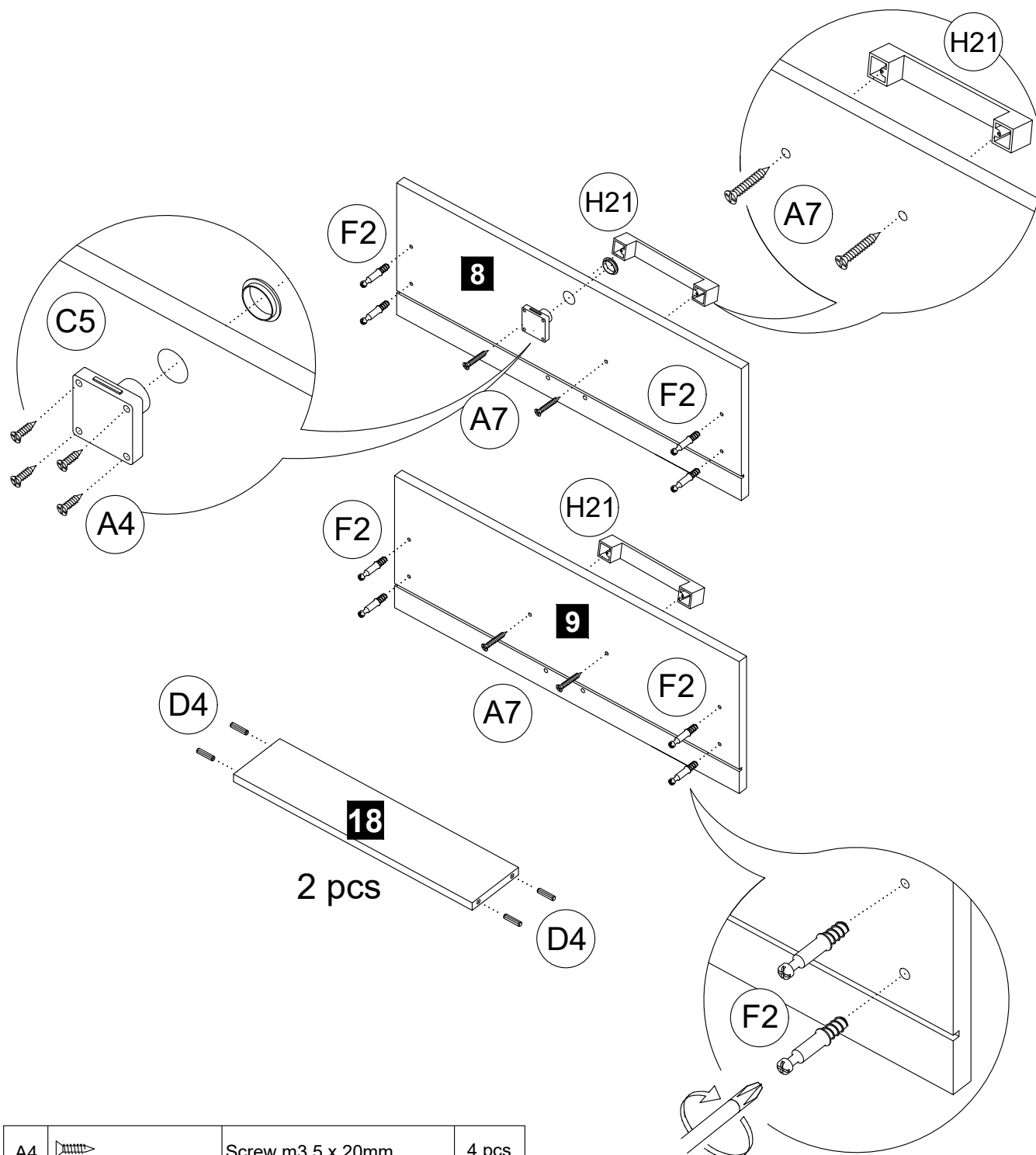
11	Drawer Side Panel (R)	2 pcs
12	Base Panel	1 pc
13	Shelf Panel	1 pc
14	Small Shelf Panel	3 pcs
15	Bottom Crossbar	2 pcs
16	Drawer Back Board	2 pcs
17	Crossbar Panel	1 pc
18	Drawer Crossbar	2 pcs
19	Big Backboard	2 pcs
20	Backboard	1 pc
21	Drawer Bottom Panel	2 pcs

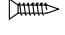
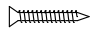



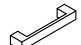
EACH PART IS LABELLED ACCORDING TO THE PARTS LIST



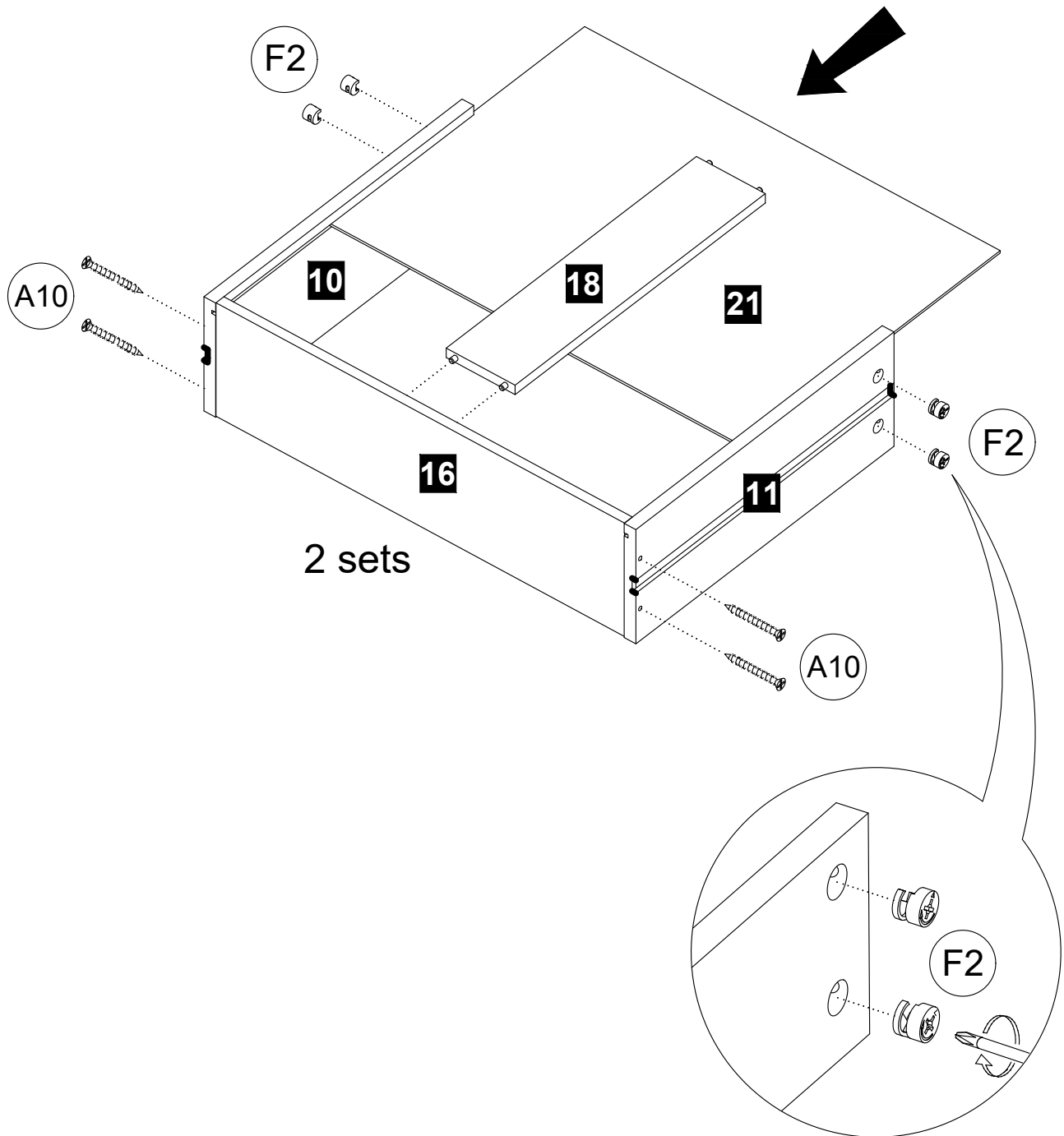
Before starting assembly
please verify if all parts and
hardware are included



STEP 1



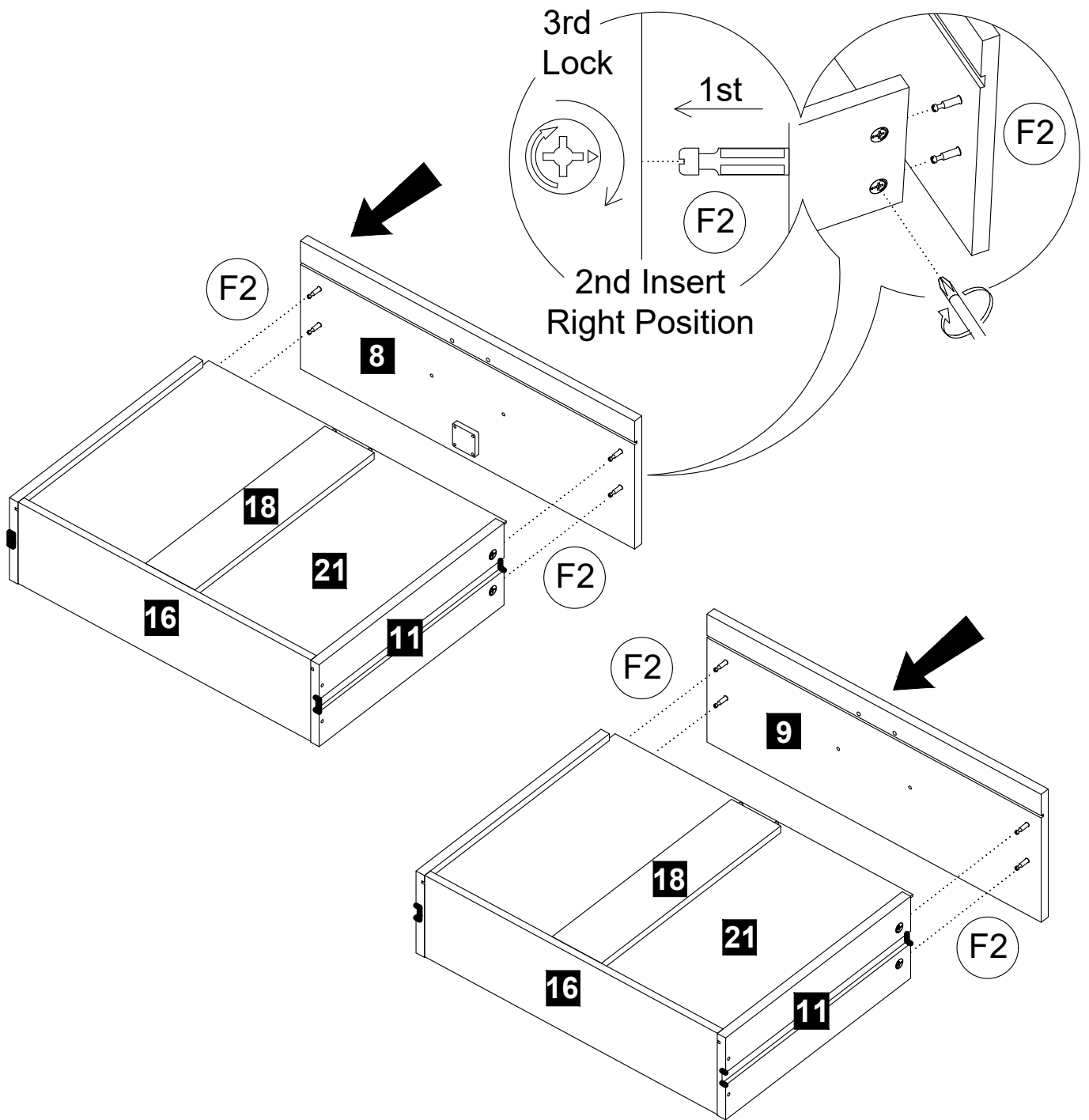
A4		Screw m3.5 x 20mm	4 pcs
A7		Screw m4 x 30mm	4 pcs
C5		Square Lock Set	1 set
D4		Wood Dowel 6 x 25mm	8 pcs
F2		Mini Fit 15mm	8 pcs
H21		Handle 128mm	2 pcs


STEP 2



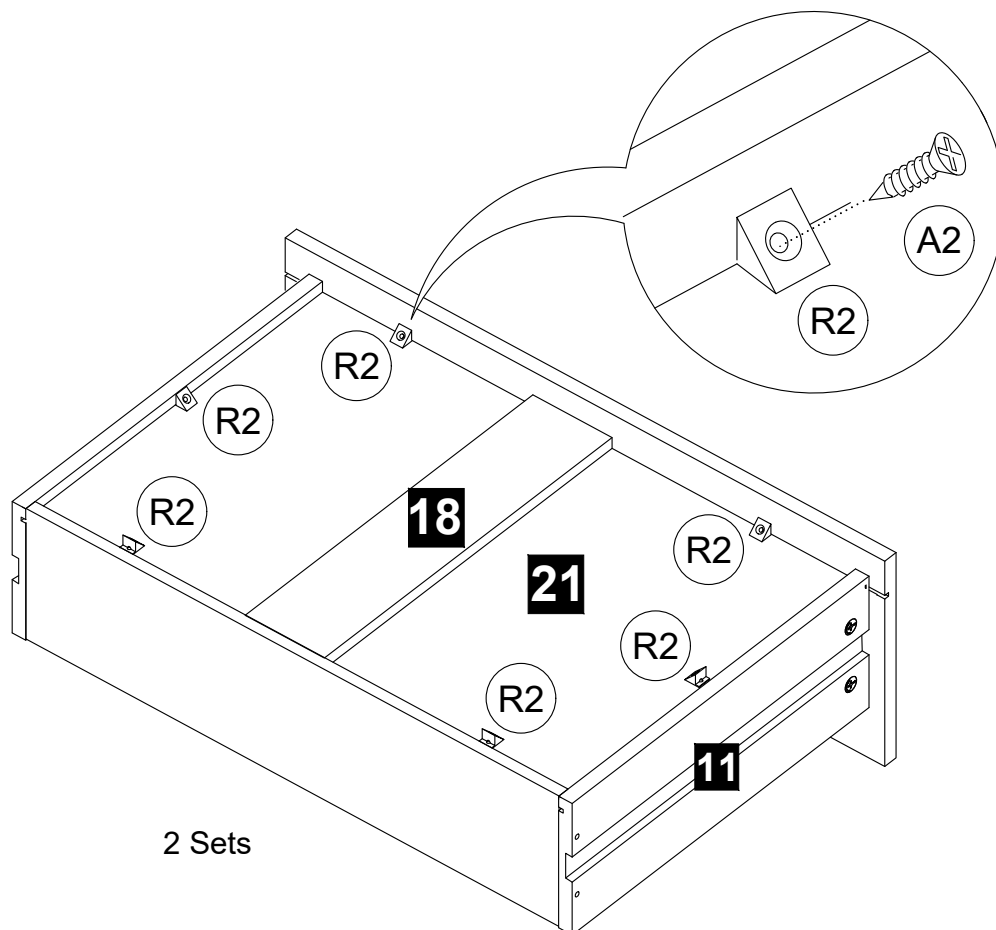
A10		Screw m4 x 38mm	8 pcs
F2		Mini Fit 15mm	8 pcs

STEP 3





F2		Mini Fit 15mm	8 sets
----	---	---------------	--------

STEP 4



2 Sets

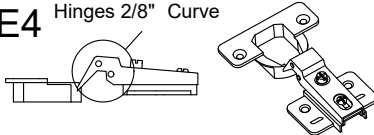
A2		Screw m3.5 x 14mm	12 pcs
R2		Single Plastic Cap	12 pcs

STEP 5

ATTENTION !

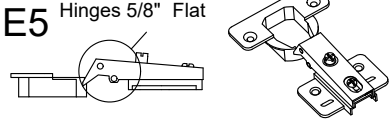
Soft Closing
Hinges 2/8" Curve

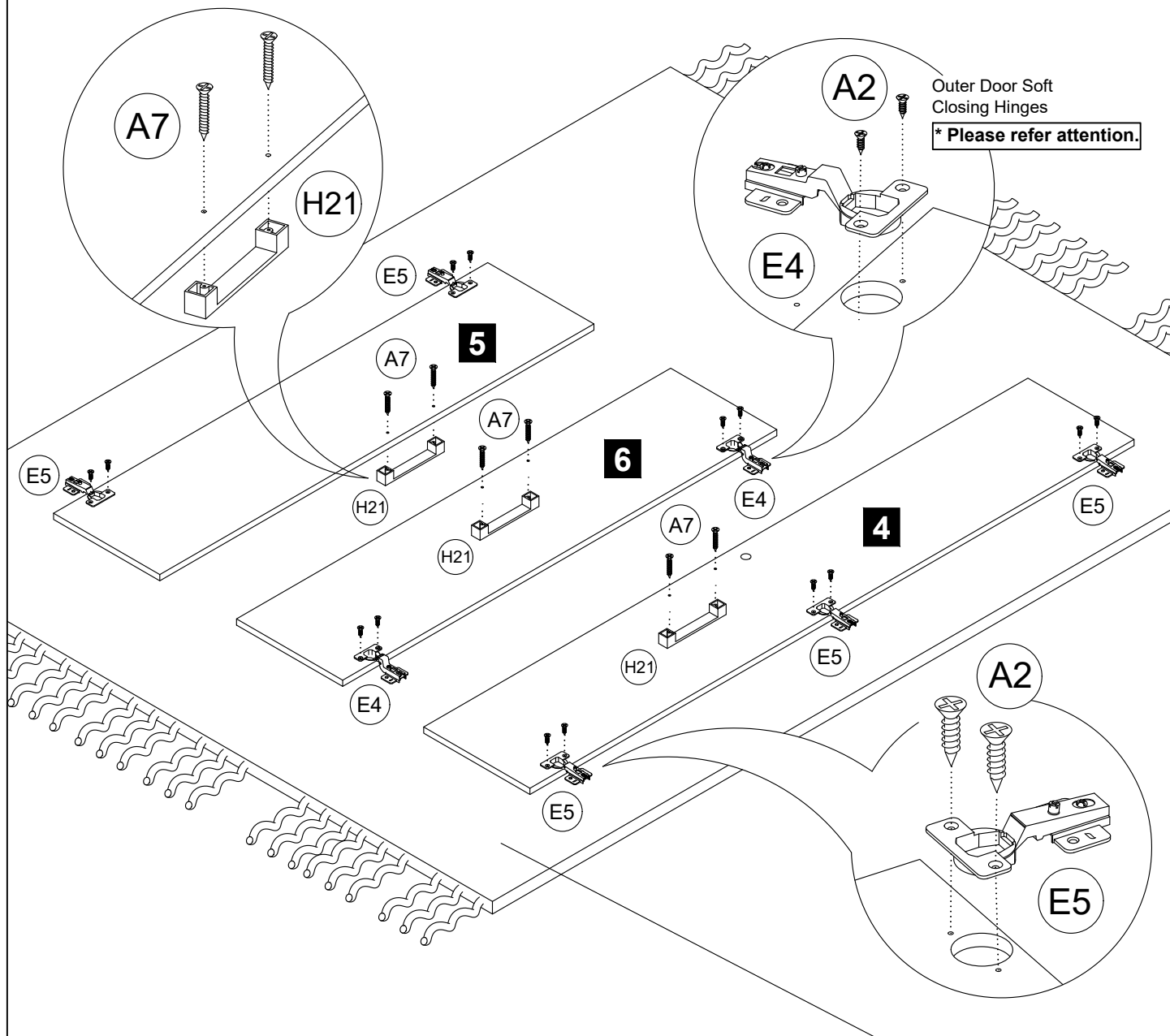
E4



Soft Closing
Hinges 5/8" Flat

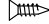
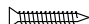



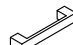
E5



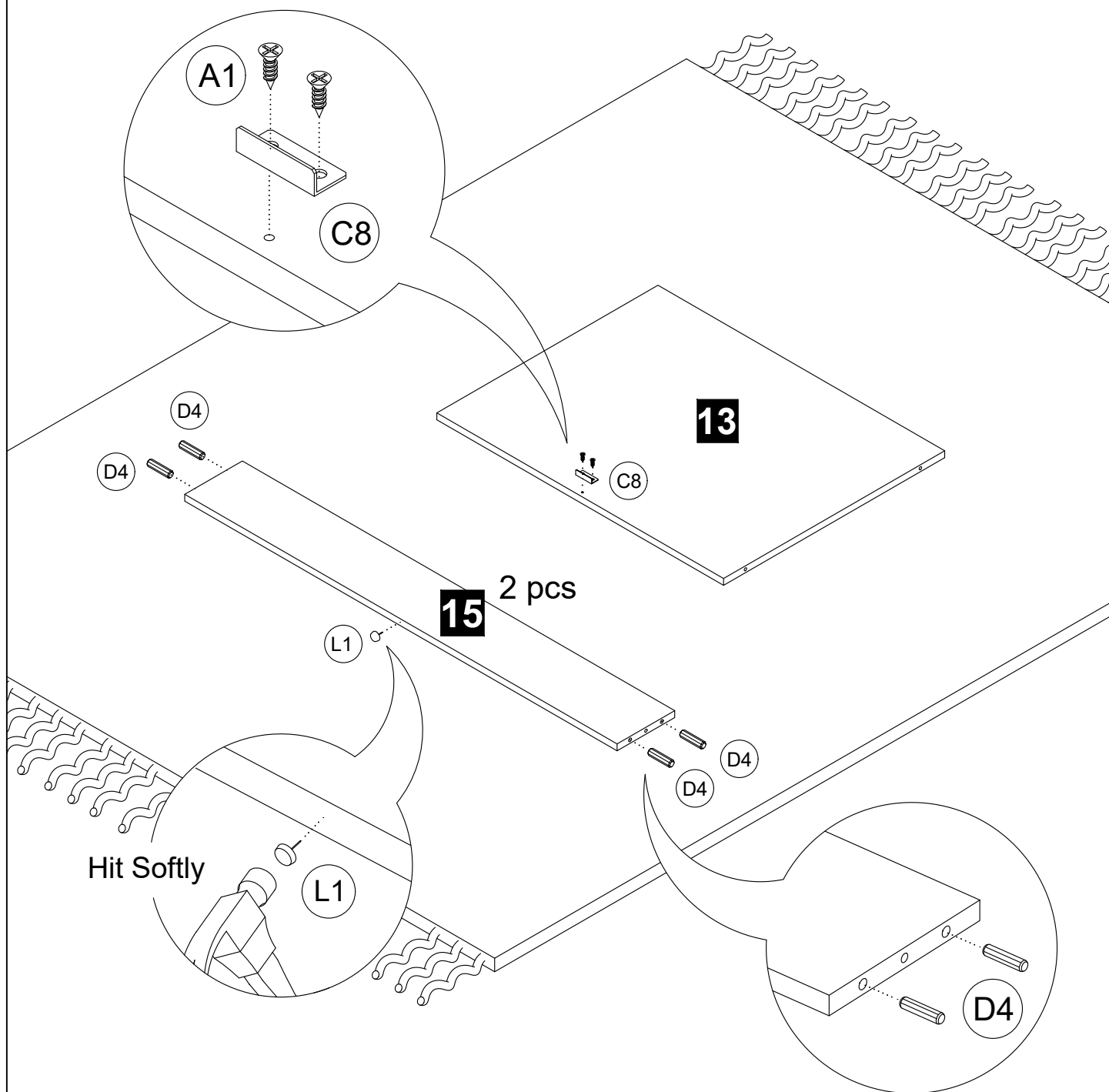


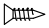

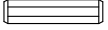

ATTENTION !

Clean Surface / Rug
before start assemble

A2		Screw m3.5 x 14mm	14 pcs
A7		Screw m4 x 30mm	6 pcs
C8		Square Lock L Bracket	1 pc
E4		Soft Closing Hinge 2/8	2 pcs
E5		Soft Closing Hinge 5/8	5 pcs
H21		Handle 128mm	3 pcs

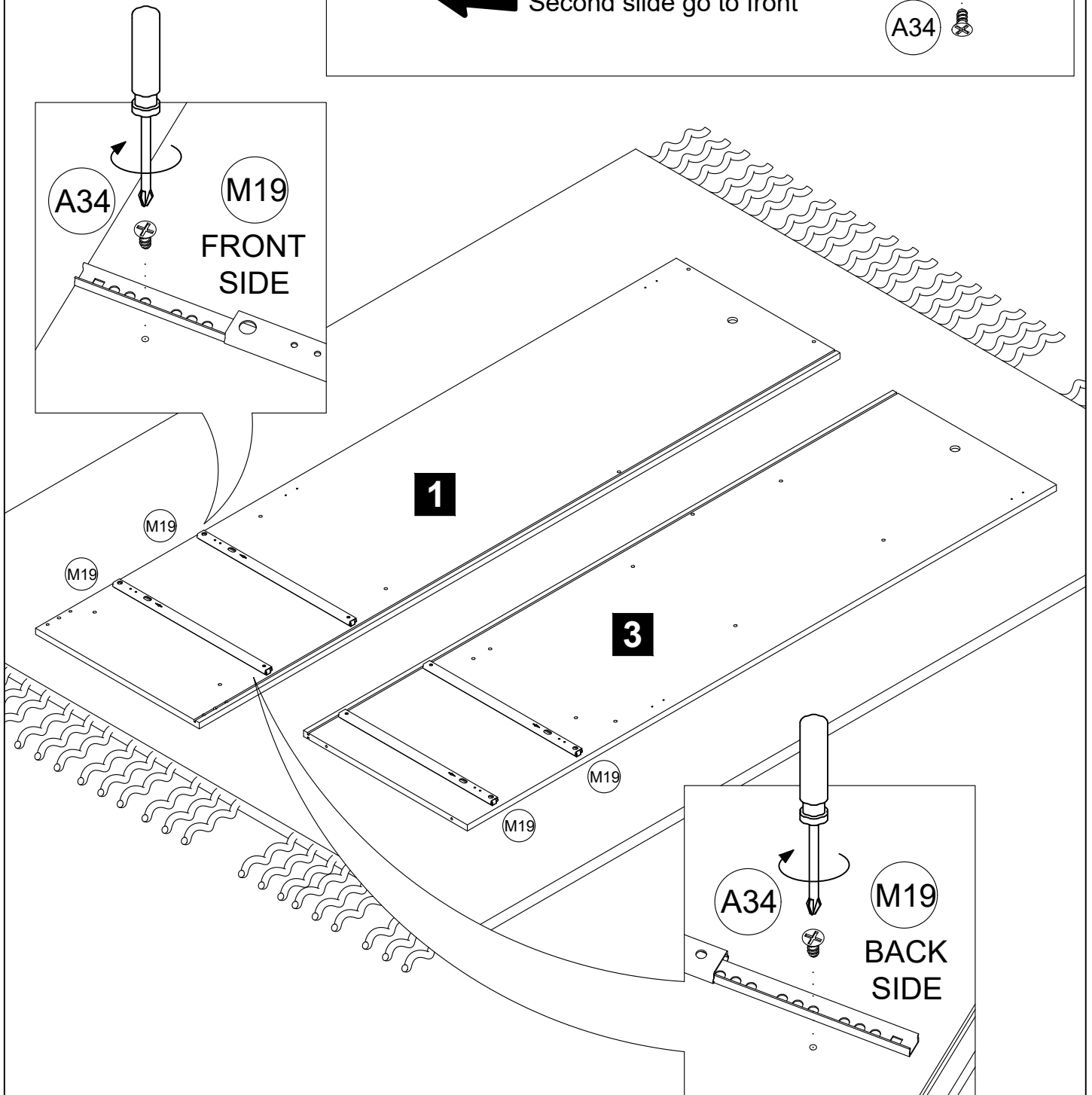
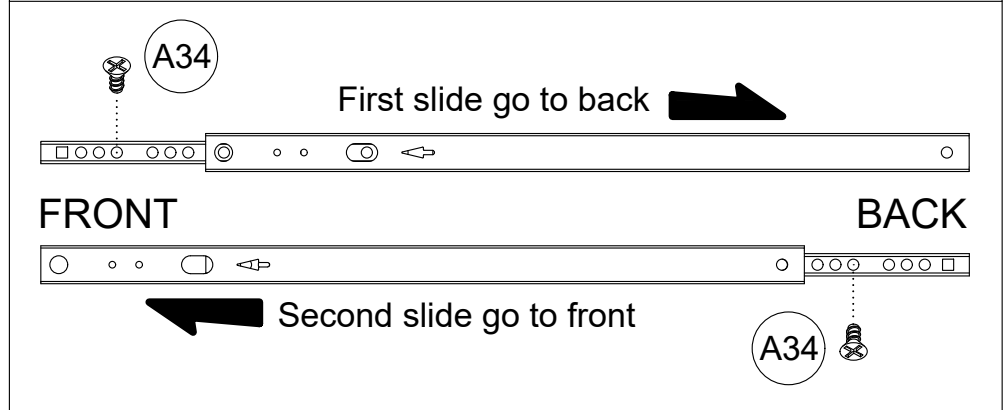
STEP 6

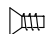



A1		Screw m3.5 x 12mm	2 pcs
C8		Square Lock L Bracket	1 pc
D4		Wood Dowel 6 x 25mm	8 pcs
L1		Leg Pin	2 pcs

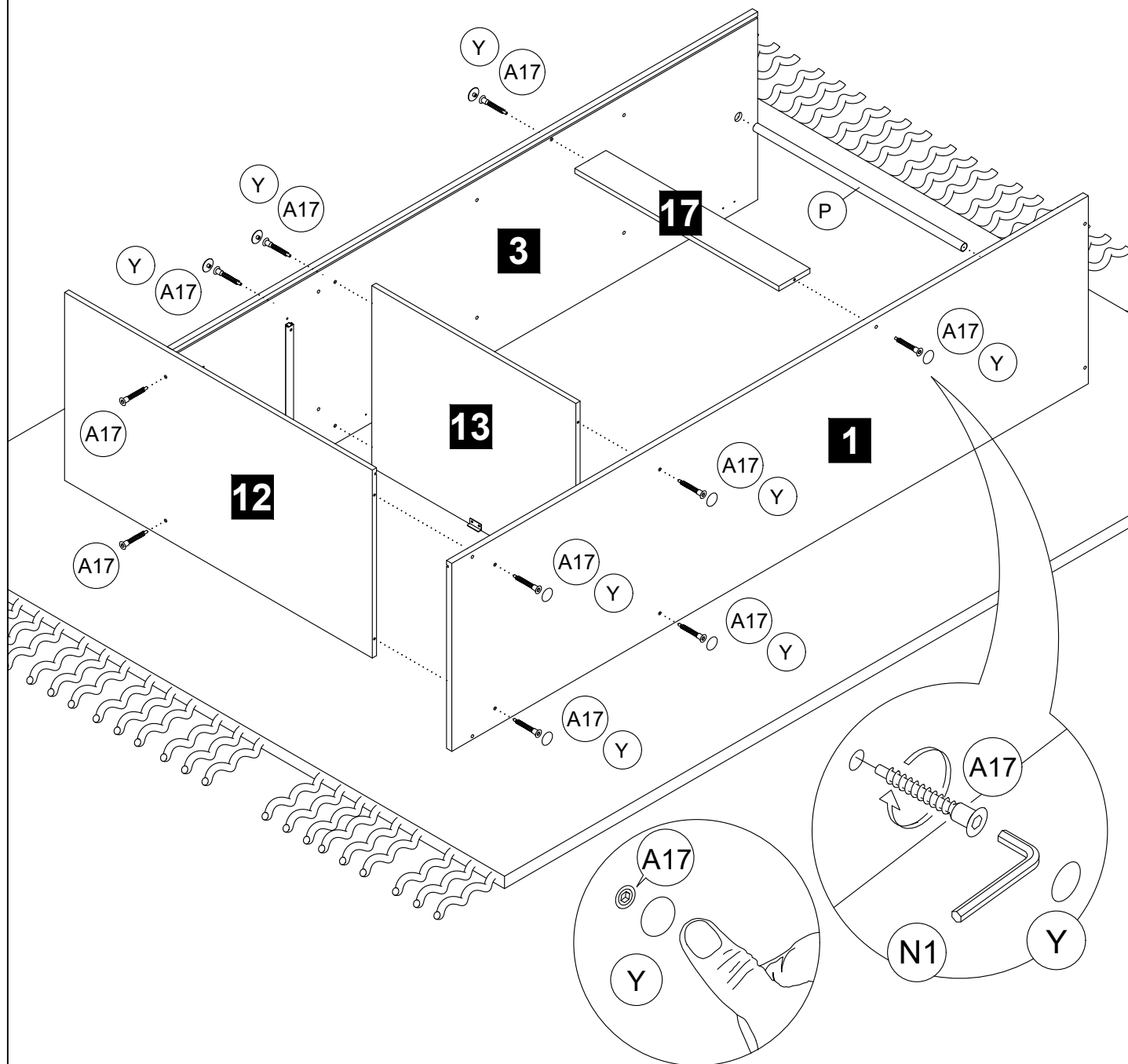
STEP 7

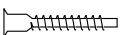

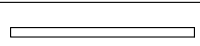
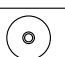
To Assemble the 2 Way Slide, Please follow step as below



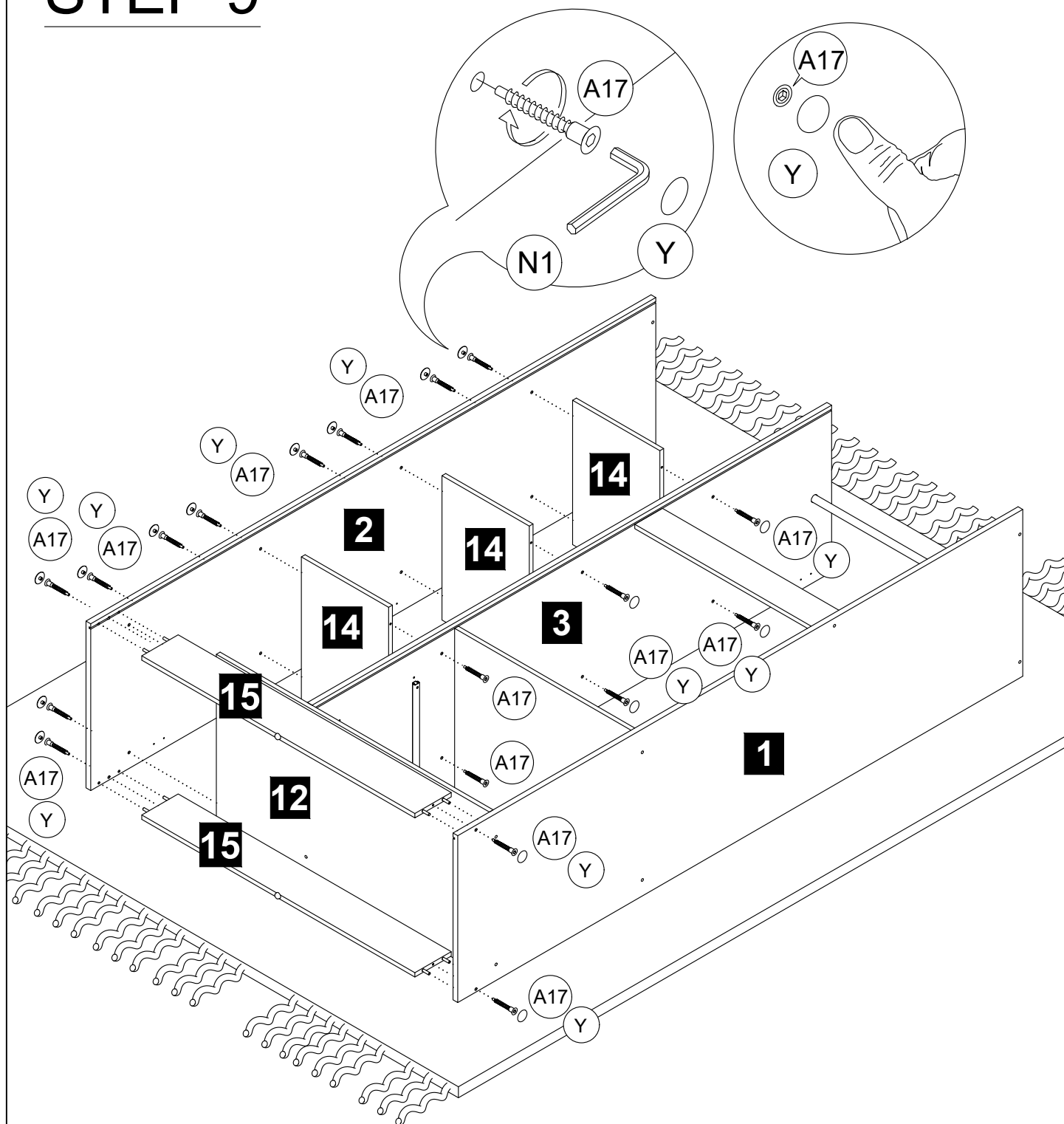
A34		Euro Screw m5 x 8mm	8 pcs
M19		2 Way Slide_406mm	2 sets

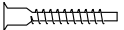


STEP 8



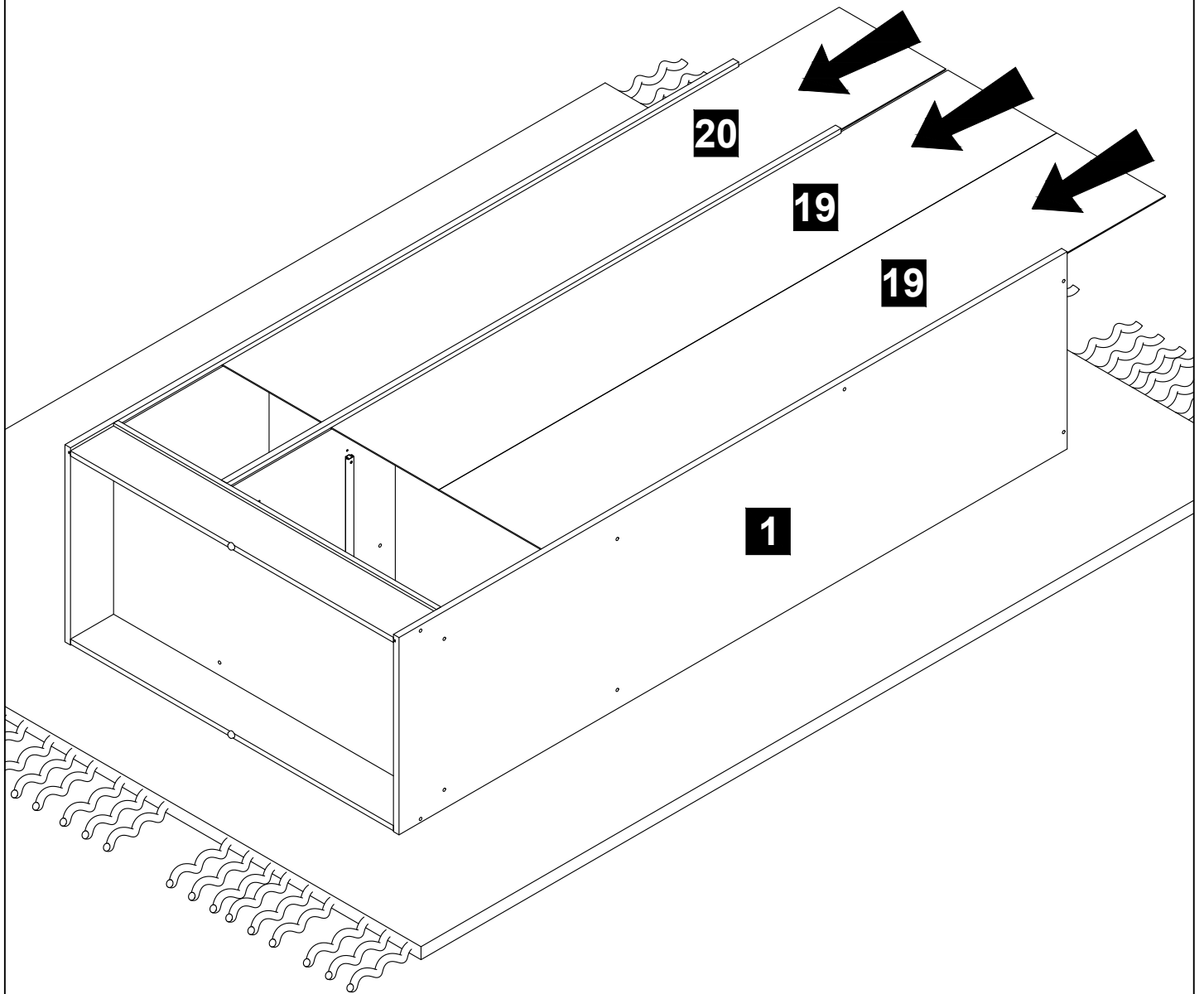
A17		Screw m6.3 x 40mm	10 pcs
N1		Allen Key	1 pc
P		Hanging Steel Pipe 18mm x 588mm	1 pc
Y		Crosshead Cover	8 pcs

STEP 9

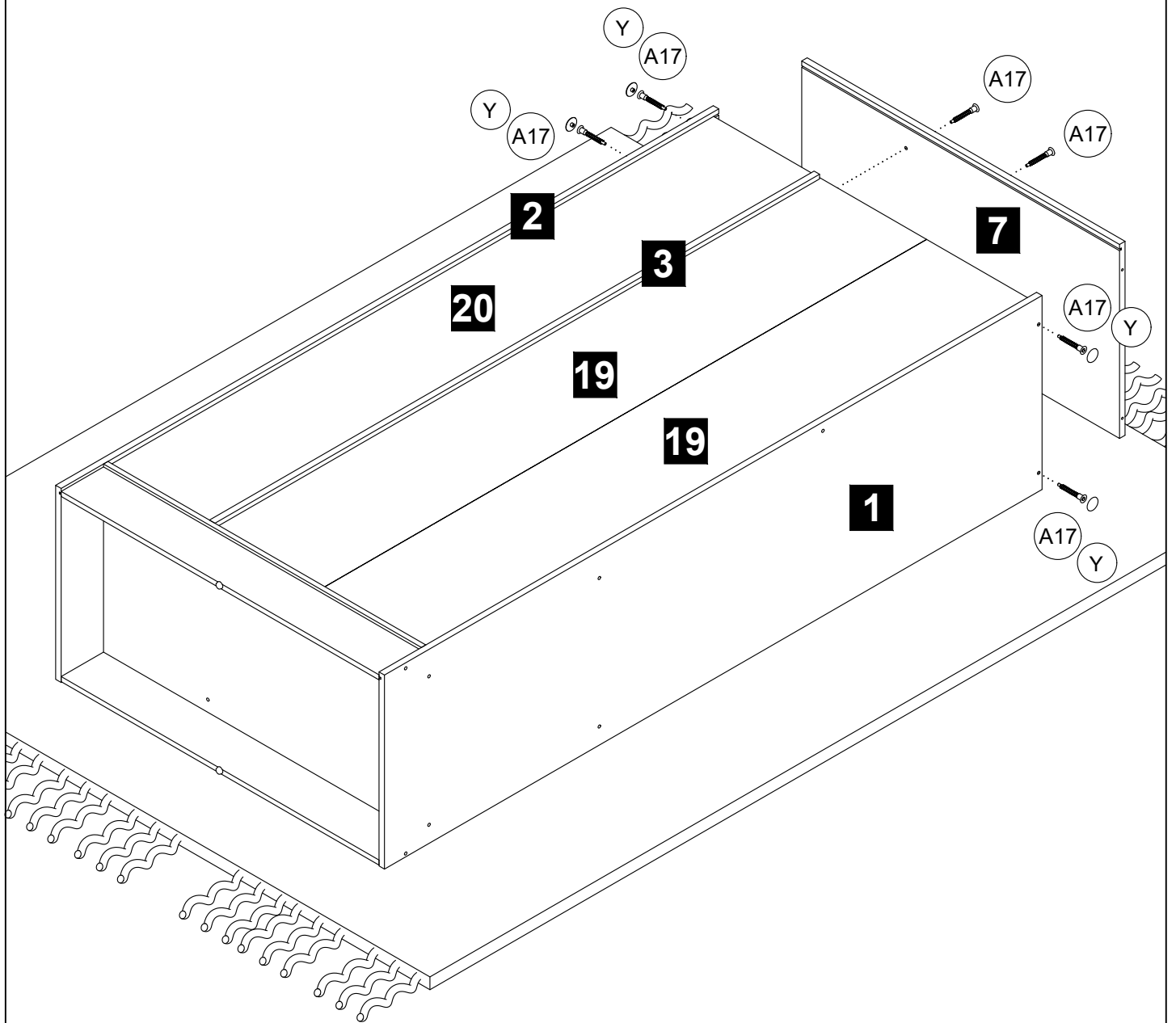


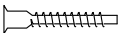


A17		Screw m6.3 x 40mm	18 pcs
N1		Allen Key	1 pc
Y		Crosshead Cover	16 pcs

STEP 10

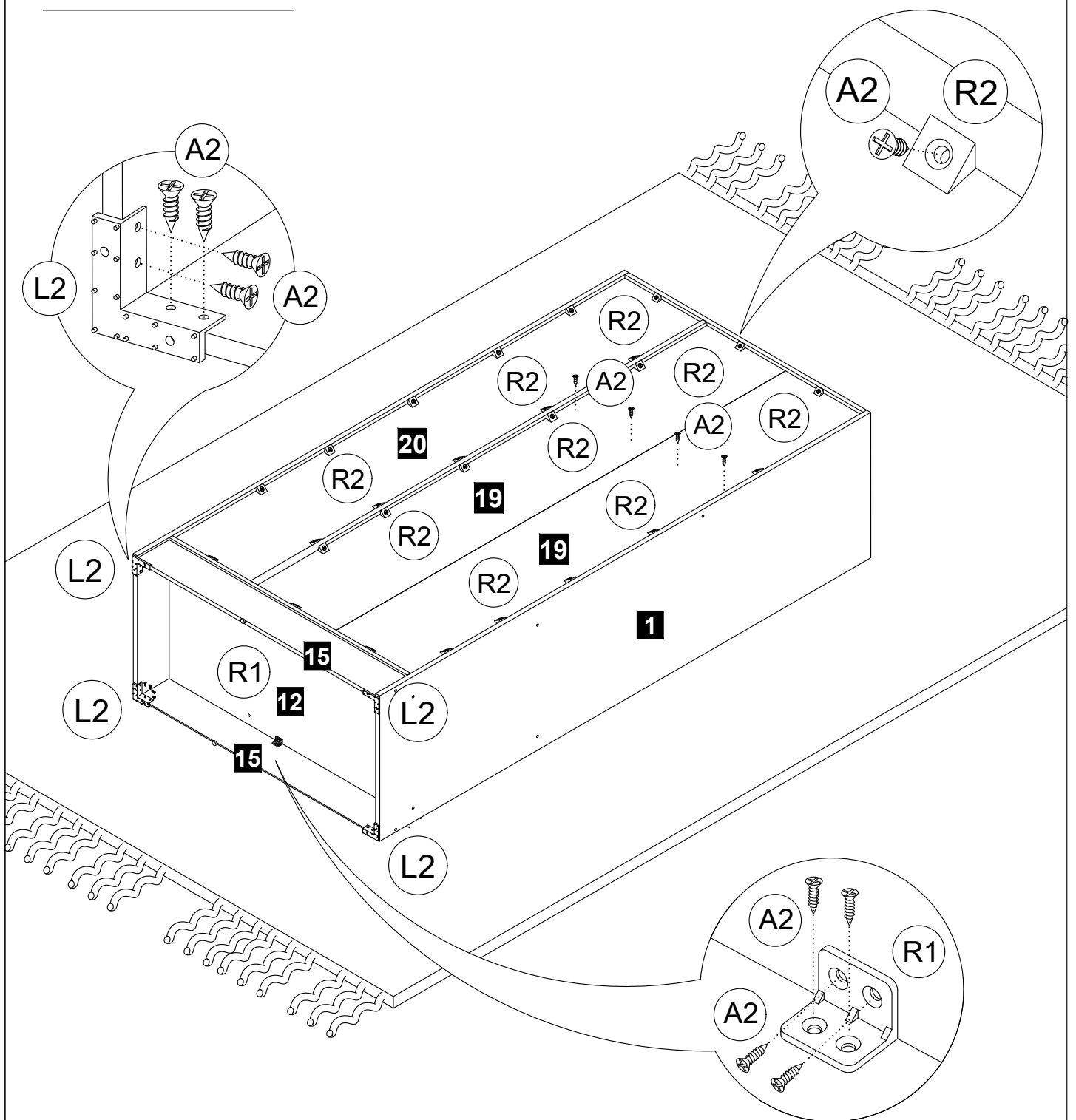



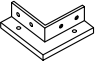


STEP 11



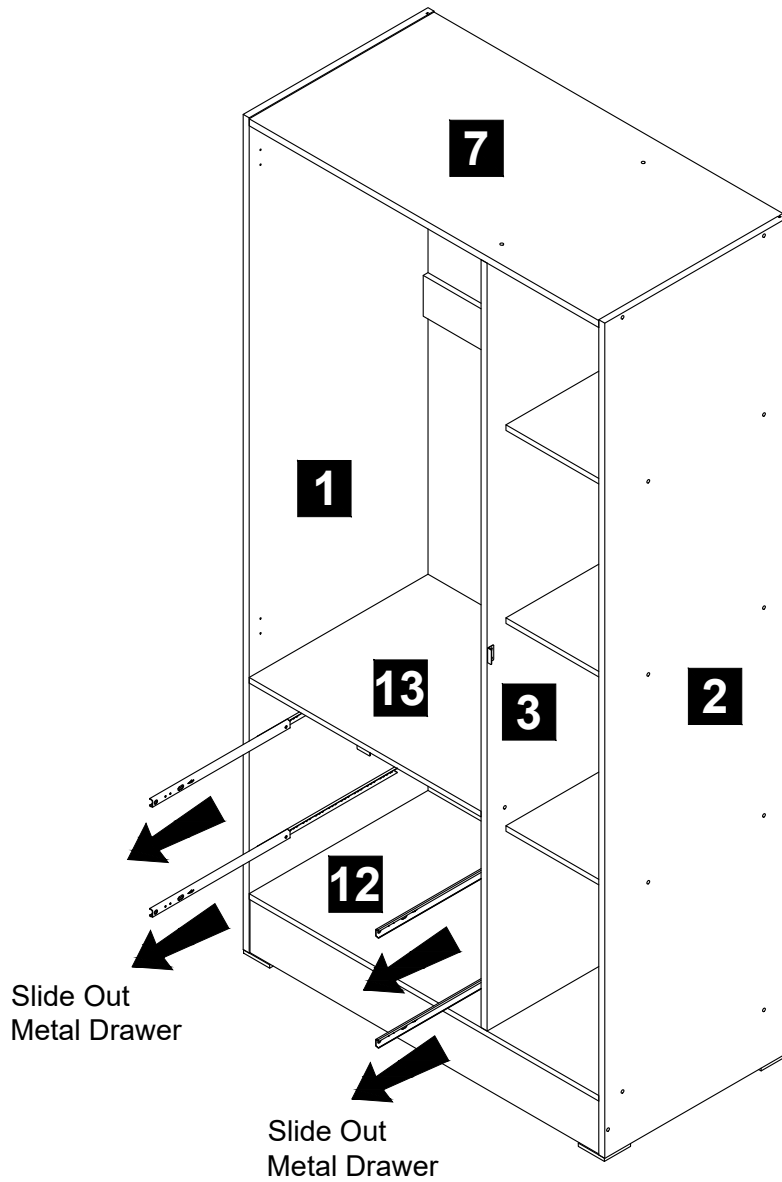
A17		Screw m6.3 x 40mm	6 pcs
N1		Allen Key	1 pc
Y		Crosshead Cover	4 pcs

STEP 12



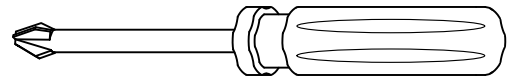
A2		Screw m3.5 x 14mm	54 pcs
L2		Plastic Leg L Shape	4 pcs
R1		L Bracket	2 pcs
R2		Single Plastic Cap	26 pcs

STEP 13

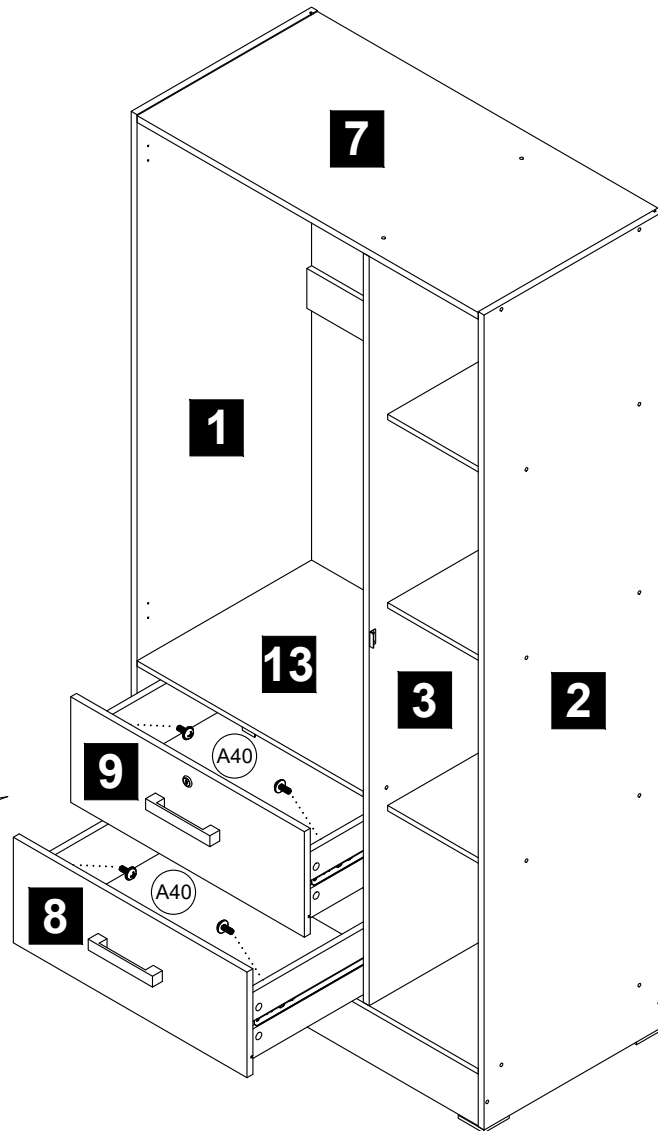
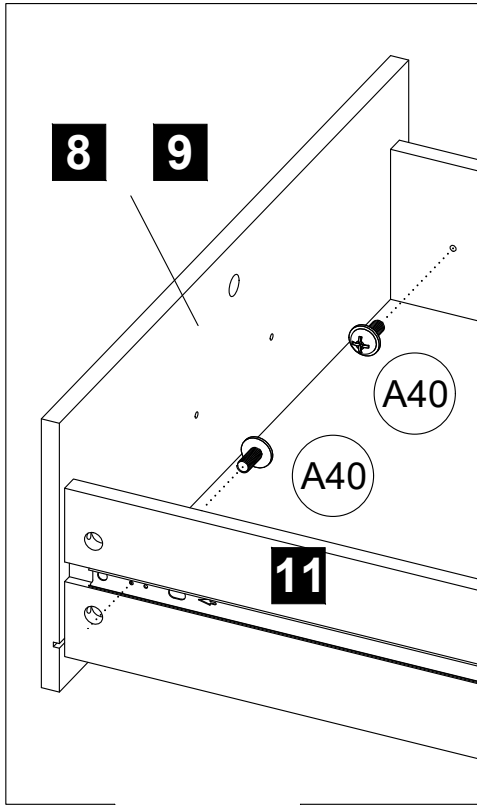



Stand
up

STEP 14

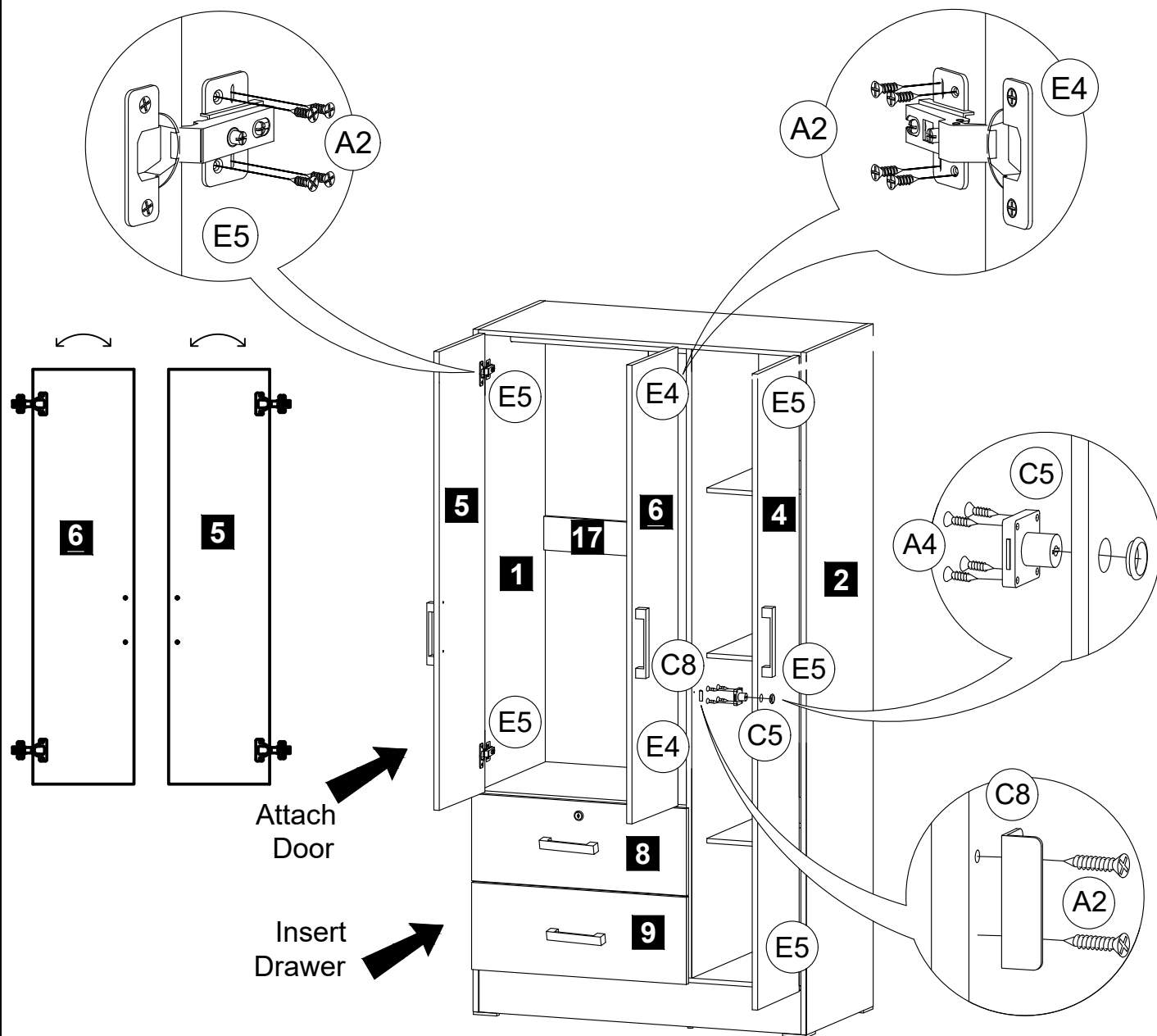


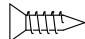
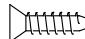




Please use Philips tip insert



A40		TH Screw m4 x 10mm	4 pcs
-----	---	--------------------	-------

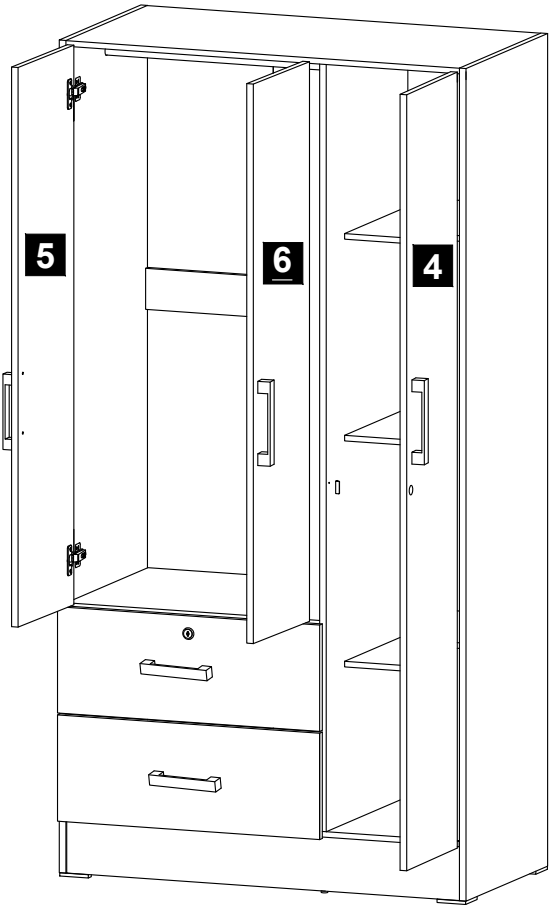
STEP 15



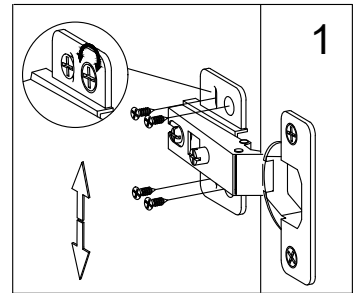
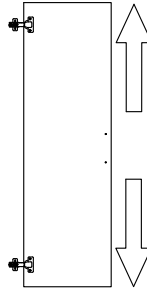
A2		Screw m3.5 x 14mm	30 pcs
A4		Screw m3.5 x 20mm	4 pcs
C5		Square Lock Set	1 set
C8		Square Lock L Bracket	1 pc
E4		Soft Closing Hinge 2/8	2 pcs
E5		Soft Closing Hinge 5/8	5 pcs

Stand up

DOOR ADJUSTMENT

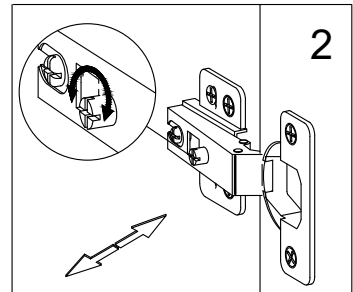
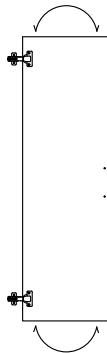


Up - Down



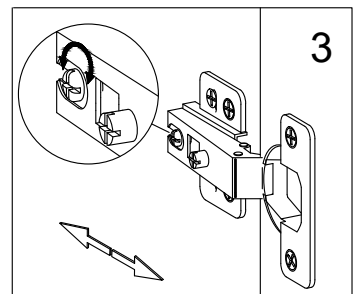
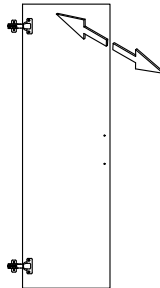
If the doors are not aligning move hinge up or down

Left - Right



-If doors are over lapping each other or not parallel.
-If the gap between the doors is too large or too small.

In - Out

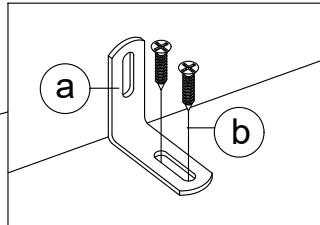
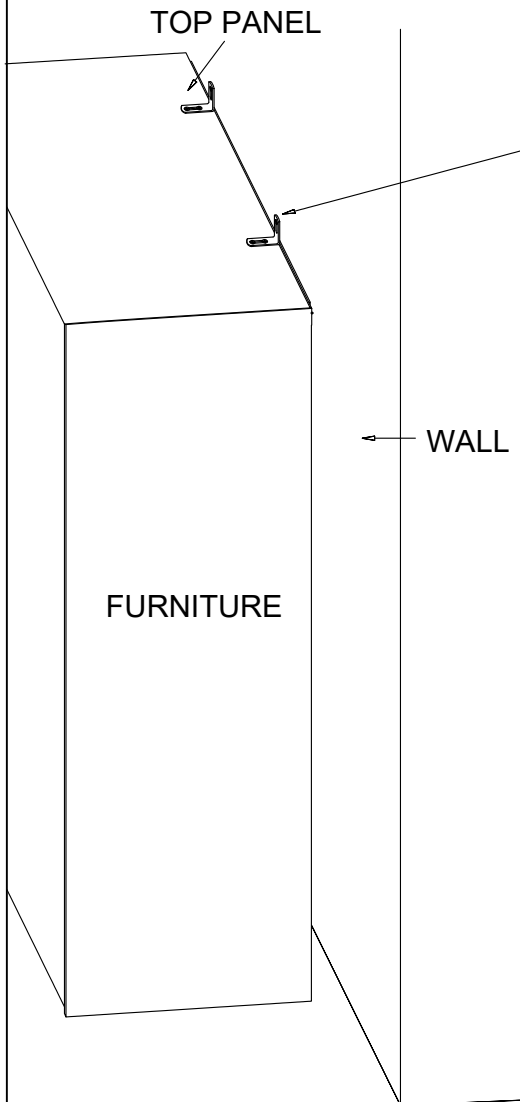


If the doors are rubbing against the sides of the closet move them away to increase the swing of the door.

INSTALLATION OF TIPOVER RESTRAINT KIT

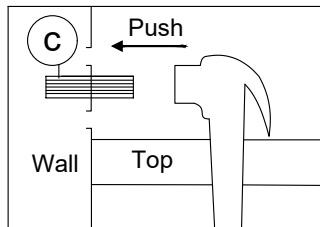
The Tipover Restraint Kit is highly recommended for this piece of furniture.

(Please take this into extra consideration around young toddlers and children)



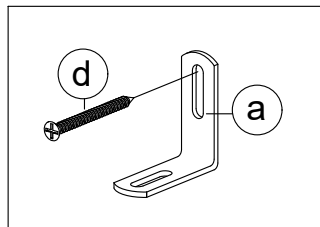
STEP 1:

- Attach the mounting bracket (a) to the the top panel near the edge of the side of the unit.
- Screw (b) through the two holes of (a).



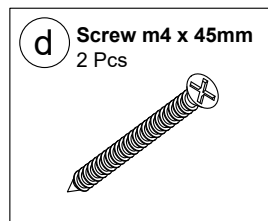
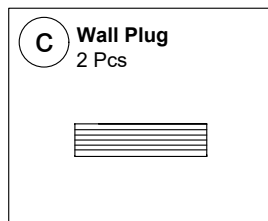
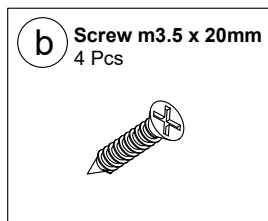
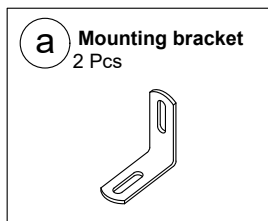
STEP 2:

- Insert the wall plug (d) into the wall behind the unit.



STEP 3:

- Attach to the mounting bracket (a) to the wall plug (c) through the hole by using (d).



Troubleshooting

- If the drawers are overlapping each other - **Solution:** The metal slides are placed upside down, please refer to the instruction manual.
- If the doors are overlapping each other - **Solution:** make sure the correct hinges are placed on the right door refer to the hinge assembly step on the manual.
- If the gap between the doors is too large or too small, the doors are overlapping each other, not parallel, or rubbing against the sides of the closet - **Solution:** See the page for " Door Adjustment. " or see video.

THANK YOU

We hope you enjoy your new purchase.

We have personally inspected this product.

In the event that you need any additional help for any reason,

Thank you