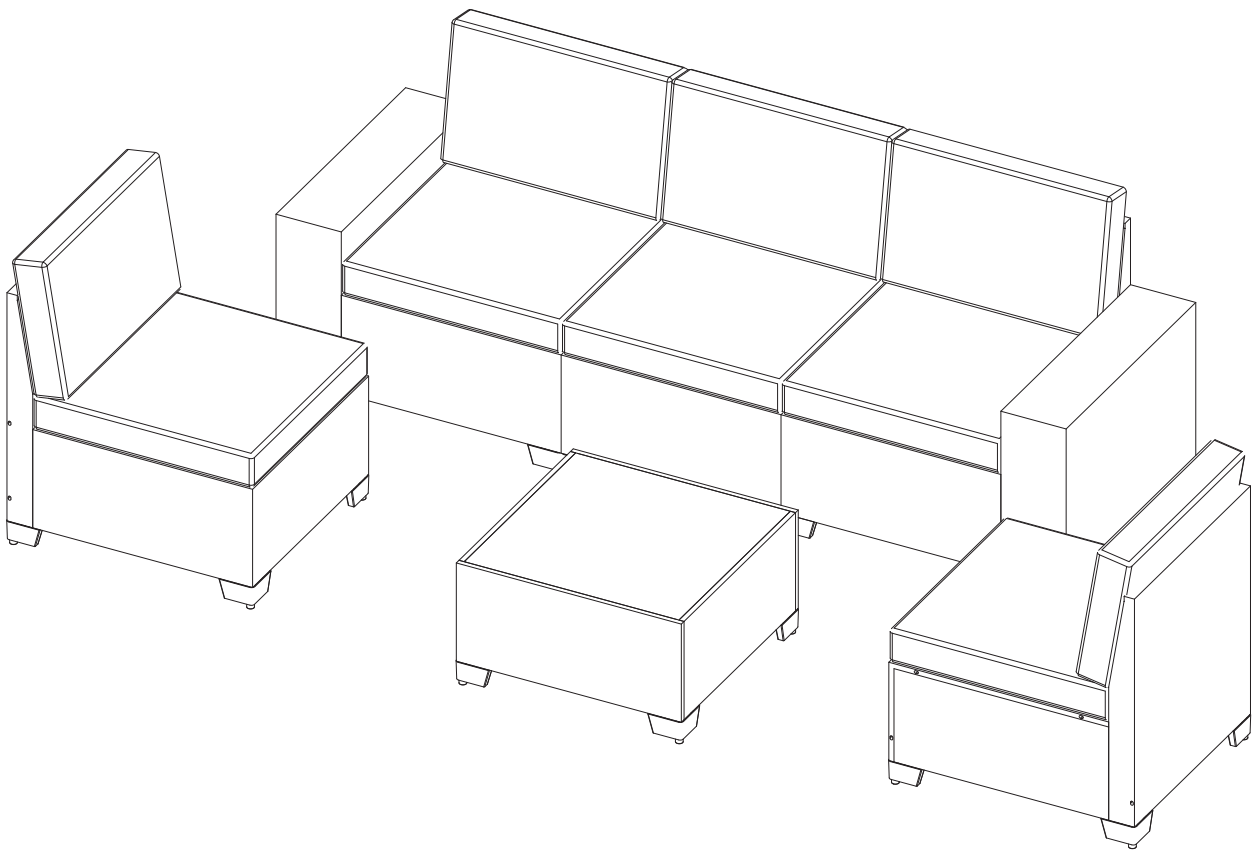


# 6 Pcs Sofa Set

**Assembly & Care instructions**



## CATALOGS

|  |    |
|--|----|
| Important .....                                | 3  |
| Care & Instructions .....                      | 4  |
| How to Cover Holes & Repair Broken Wicker..... | 4  |
| Parts List of Box A.....                       | 5  |
| Parts List of Box B.....                       | 6  |
| Screw Set A.....                               | 7  |
| Screw Set B.....                               | 8  |
| Packing List.....                              | 9  |
| Installation Steps of Armless Sofa.....        | 10 |
| Installation Steps of Left Arm Sofa.....       | 12 |
| Installation Steps of Right Arm Sofa.....      | 14 |
| Installation Steps of Corner Sofa .....        | 16 |
| Installation Steps of Coffee Table.....        | 18 |
| Accessory Replacement.....                     | 21 |
| How to Assemble U-Shaped Connector.....        | 22 |
| Accessory Replacement.....                     | 22 |
| Cushion Manual .....                           | 23 |

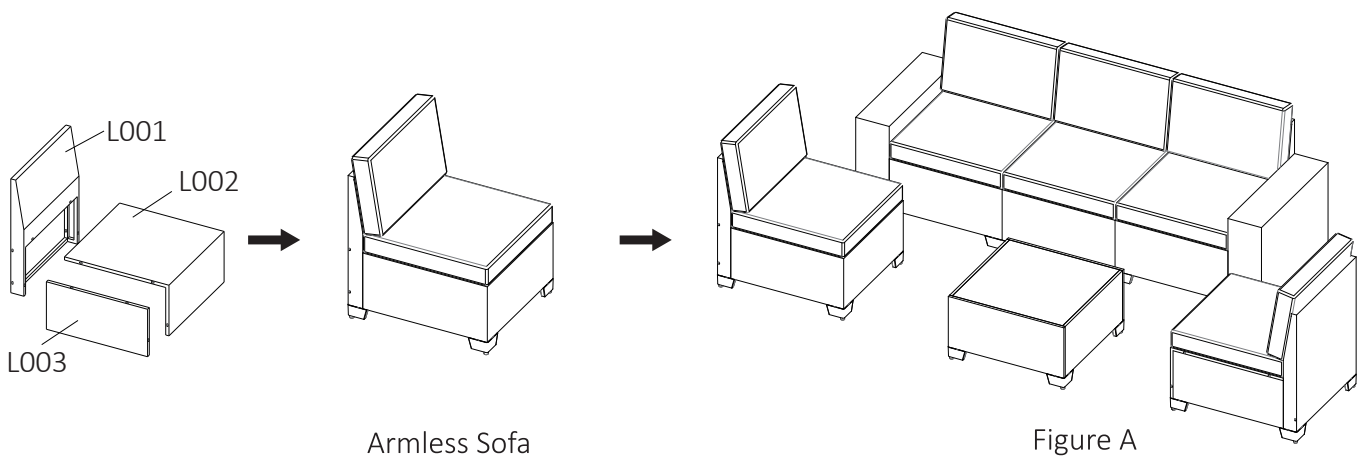
## IMPORTANT

Please make a decision which model you want to put modules together, because you have to use different parts to make it either a corner sofa or an armless sofa.

**Option 1:** Seat Part(L002)+Back Part(L001)+Side Part(L003) can be assembled as the third armless sofa, then you can put them together as living sofa set model(Figure a).

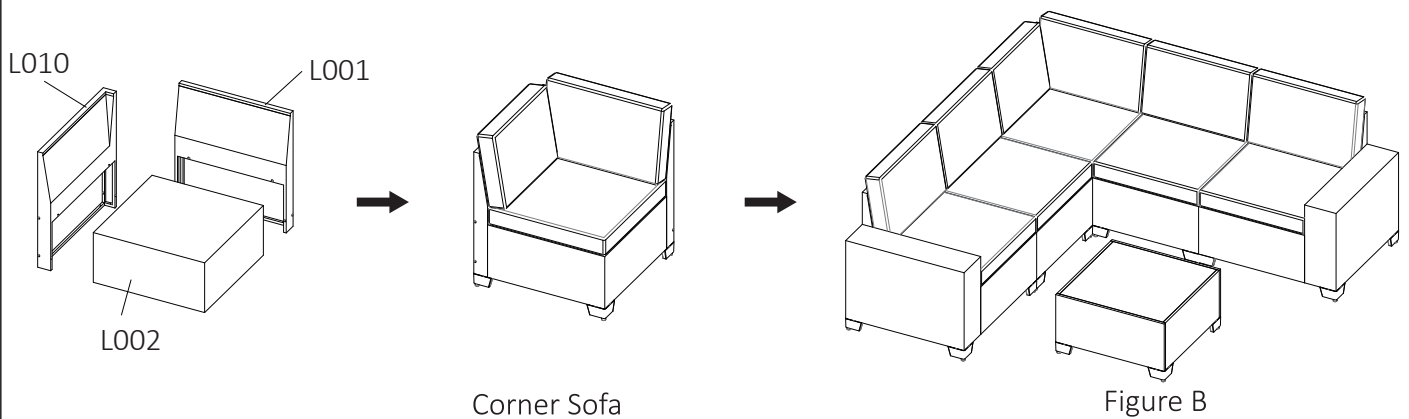
**Option 2:** Seat Part(L002)+Back Part(L001)+Long Back Part(L010), can be assembled as the corner sofa, then you can put them together as corner sofa set model(Figure b).

### Option 1



### 6 Pcs Living Sofa Model

### Option 2



### 6 Pcs Corner Sofa Model

## Care & Instructions

Thank you for ordering the 6 pcs sofa set, here are some tips which may help you:

1. This 6 pcs sofa set comes in 2 boxes. If you only receive 1 box, please do not worry. The others will arrive very soon.
2. Carton A and Carton B must be received in full before the six separate parts can be fully assembled.
3. The cushions are vacuum packed, after you open the package, they will fully return to the original thickness after a while.
4. We only allow us to upload 1 tracking number. If you want to know the others' tracking numbers, please contact us.
5. If any part is damaged or missing (please refer to packing list on page 5~8), please feel free to contact us. We will send you the replacement immediately.
6. In order to prolong the sofa set's service life, we suggest that you put all the cushions indoor on a rainy day.
7. We hope you can enjoy our product, if you have any other problem, please feel free to contact us.

## How To Cover Holes & Repair Broken Wicker



Step 1



Step 2



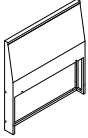
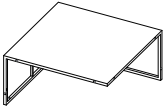
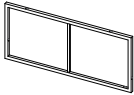
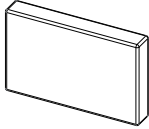
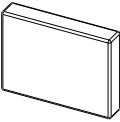
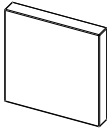
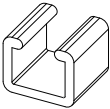
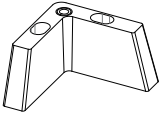
Step 3



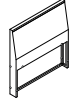
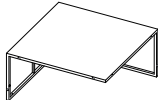
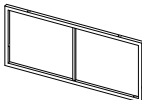
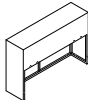

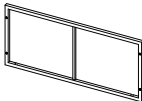
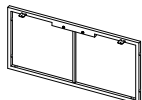
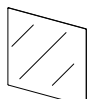
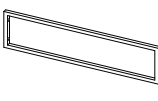
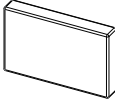
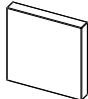
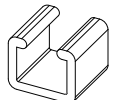
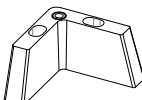
Step 4

You can use two pieces PE wicker to cover the hole, and repeat the steps to cover all the holes. These PE wicker can also be used to repair the scratch or broken wicker.

## Packing List of Box A














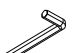








| Box   | Img   | Patr Name                           | Label No. | Qty |
|-------|---|-------------------------------------|-----------|-----|
| Box A |    | 6 Pcs Back Part                     | L001      | 3   |
|       |    | 6 Pcs Seat Part                     | L002      | 4   |
|       |    | 6 Pcs Side Part                     | L003      | 2   |
|       |  | Long Back Cushion With Core Inside  | L015      | 2   |
|       |  | Short Back Cushion With Core Inside | L016      | 1   |
|       |  | Seat Cushion With Core Inside       | L017      | 3   |
|       |  | U-Shaped Connector                  | L007      | 5   |
|       |  | High L-Shaped Feet                  | L008      | 12  |
|       | -   | Screw Set                           | SSA       | 1   |

## Packing List of Box B

| Box   | Img   | Patr Name                          | Label No. | Qty |
|-------|---|------------------------------------|-----------|-----|
| Box B |    | 6 Pcs Back Part                    | L001      | 2   |
|       |    | 6 Pcs Seat Part                    | L002      | 1   |
|       |    | 6 Pcs Side Part                    | L003      | 1   |
|       |    | 6 Pcs Arm Part                     | L009      | 2   |
|       |    | 6 Pcs Long Back Part               | L010      | 1   |
|       |  | Coffee Table Long Side Part        | L011      | 2   |
|       |  | Coffee Table Short Side Part       | L012      | 2   |
|       |  | Glass Top                          | L013      | 1   |
|       |  | Coffee Table Connector             | L014      | 1   |
|       |  | Long Back Cushion With Core Inside | L015      | 3   |
|       |  | Seat Cushion With Core Inside      | L017      | 2   |
|       |  | U-Shaped Connector                 | L007      | 5   |
|       |  | High L-Shaped Feet                 | L008      | 14  |
|       | -   | Screw Set For Box B                | SSB       | 1   |
























# SCREW SET

## Screw Set A

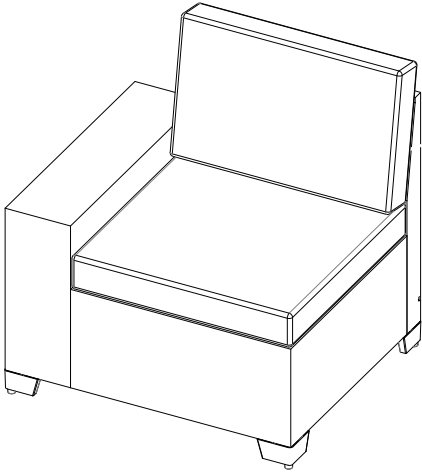
| Product Name                             | Label No. | Img   | Part Name             | Qty |
|--|-----------|---|-----------------------|-----|
| Armless Sofa's<br>Screws x2              | A         |    | M6X30                 | 3   |
|  | B         |    | M6X45                 | 4   |
|  | C         |    | M6X60                 | 8   |
|  | D         |    | Nut                   | 12  |
|  | F         |    | Adjustable Screws     | 4   |
|  | G         |    | Aperture Cover        | 6   |
|  | J         |    | Spanner               | 1   |
|  | K         |    | Wrench                | 1   |
| Left or Right<br>Arm Sofa's<br>Screws x2 | B         |  | M6X45                 | 7   |
|  | C         |  | M6X60                 | 8   |
|  | D         |  | Nut                   | 15  |
|  | F         |  | Adjustable Screws     | 4   |
|  | G         |  | Aperture Cover        | 2   |
|  | J         |  | Spanner               | 1   |
|  | K         |  | Wrench                | 1   |
| Additional<br>Screws-A                   | A         |  | M6X30                 | 2   |
|  | B         |  | M6X45                 | 2   |
|  | C         |  | M6X60                 | 2   |
|  | D         |  | Nut                   | 2   |
|  | G         |  | Adjustable Screws     | 1   |
|  | G         |  | Aperture Cover        | 3   |
|  | H         |  | Restoration of Rattan | 1   |

# SCREW SET

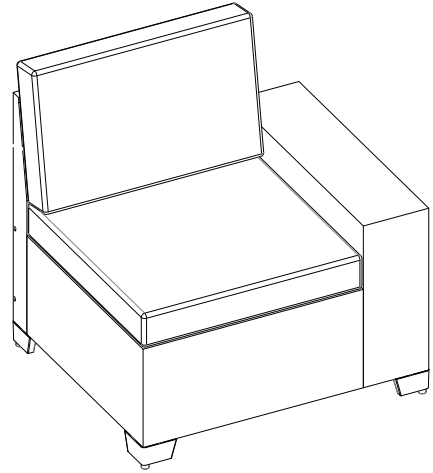
## Screw Set B

| Product Name                | Label No. | Img   | Part Name             | Qty |
|-----------------------------|-----------|---|-----------------------|-----|
| Corner Sofa's<br>Screws x1  | B         |    | M6X45                 | 8   |
|                             | C         |    | M6X60                 | 8   |
|                             | D         |    | Nut                   | 16  |
|                             | F         |    | Adjustable Screws     | 4   |
|                             | G         |    | Aperture Cover        | 1   |
|                             | J         |    | Spanner               | 1   |
|                             | K         |    | Wrench                | 1   |
| Coffee Table's<br>Screws x1 | A         |    | M6X30                 | 12  |
|                             | C         |   | M6X60                 | 8   |
|                             | D         |  | Nut                   | 8   |
|                             | E         |  | Glass Mat             | 4   |
|                             | F         |  | Adjustable Screws     | 4   |
|                             | J         |  | Spanner               | 1   |
|                             | K         |  | Wrench                | 1   |
| Additional<br>Screws-B      | A         |  | M6X30                 | 5   |
|                             | B         |  | M6X45                 | 2   |
|                             | C         |  | M6X60                 | 2   |
|                             | D         |  | Nut                   | 3   |
|                             | E         |  | Glass Mat             | 1   |
|                             | F         |  | Adjustable Screws     | 1   |
|                             | G         |  | Aperture Cover        | 3   |
|                             | H         |  | Restoration of Rattan | 1   |
|                             | I         |  | Velcro                | 2   |

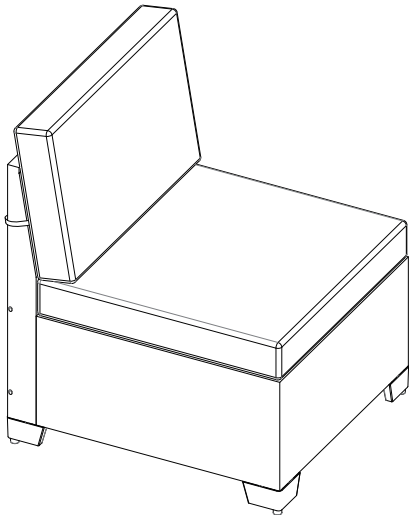
## Packing List



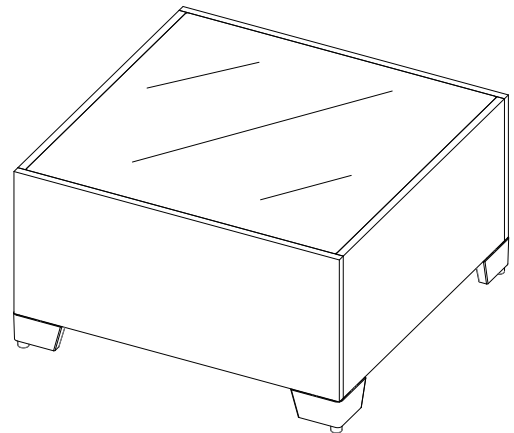
Right Arm Sofa x 1



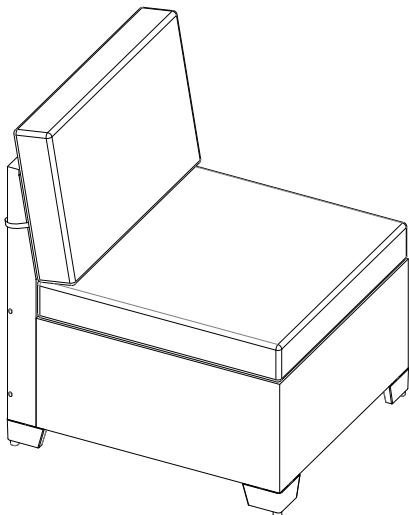
Left Arm Sofa x 1



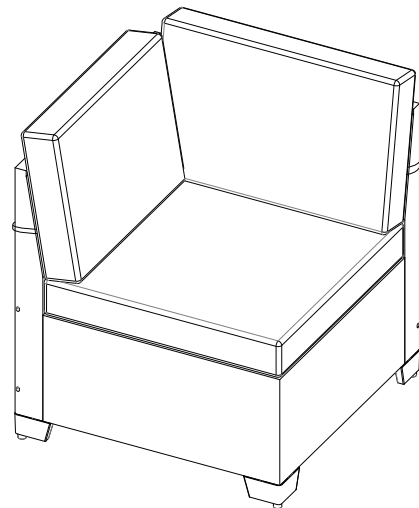
Armless Sofa x 2



Coffee Table x 1



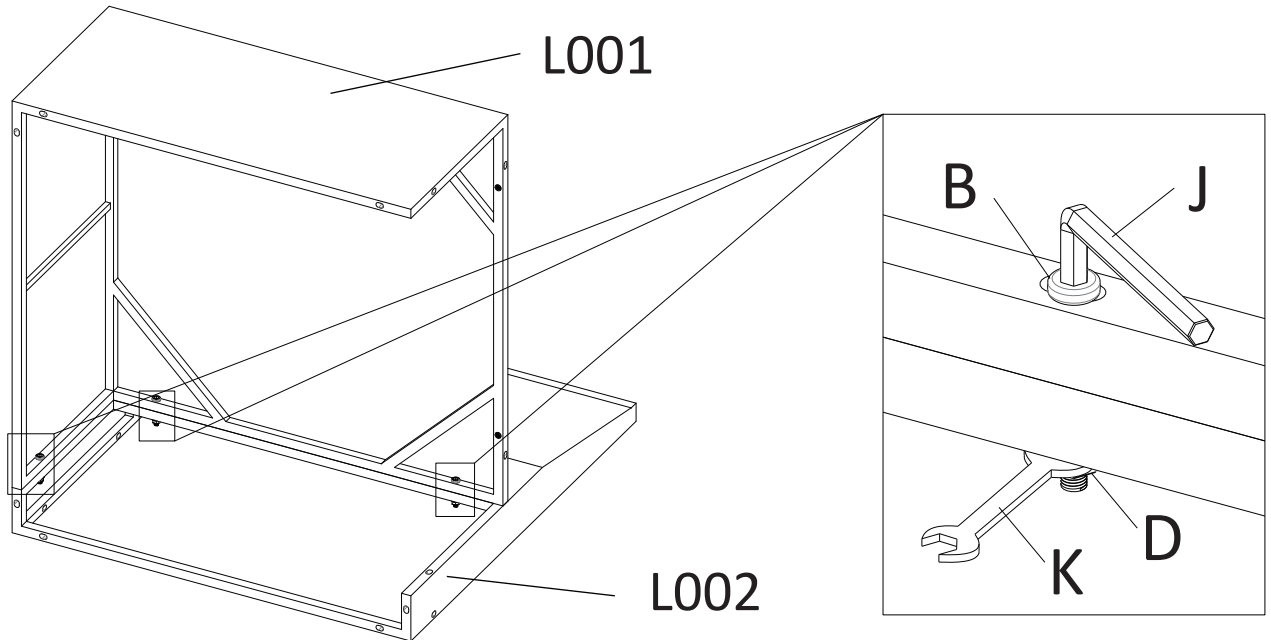
Armless Sofa or Corner Sofa x 1



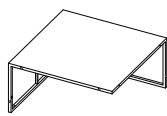
# Armless Sofa

**Step 1**

Assemble Back Part(L002) and Seat Part(L001).  
**Tips:Do not 100% Tight.**



L001 x 1



L002 x 1



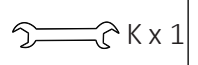
B x 3



Dx 3



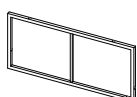
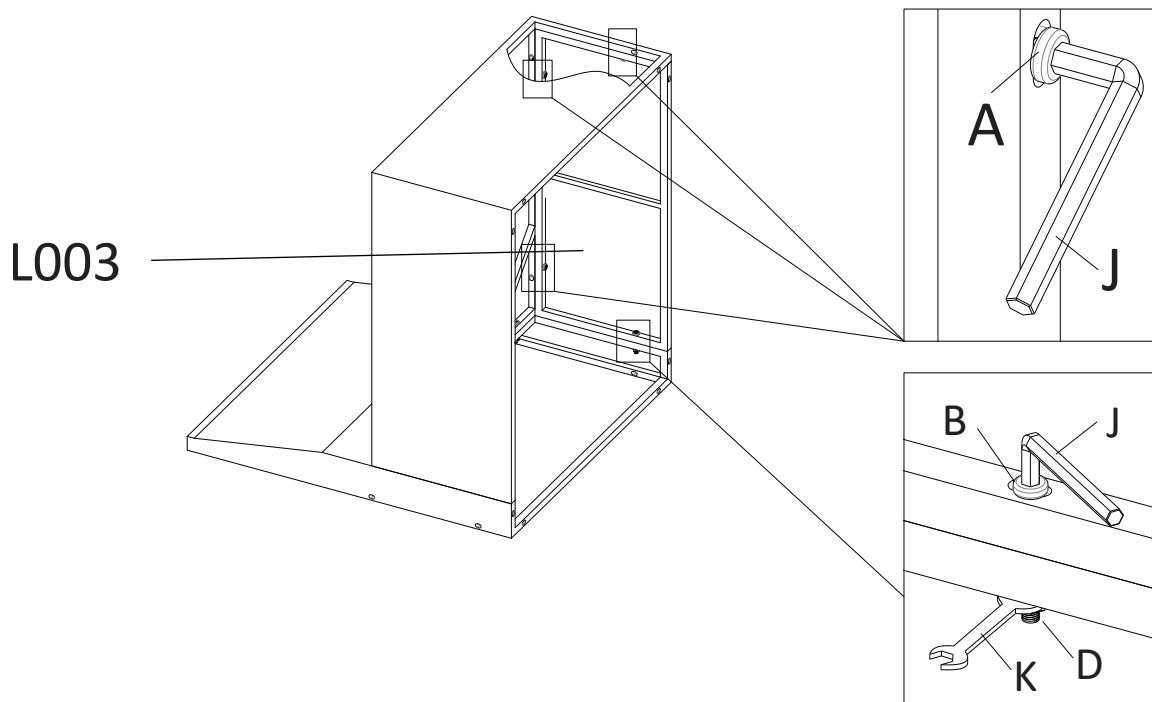
Jx 1



K x 1

**Step 2**

Assemble Side Part(L003).  
**Tips:Screws 100% Tight This Step.**



L003 x 1



A x 3



B x 1



Dx 1



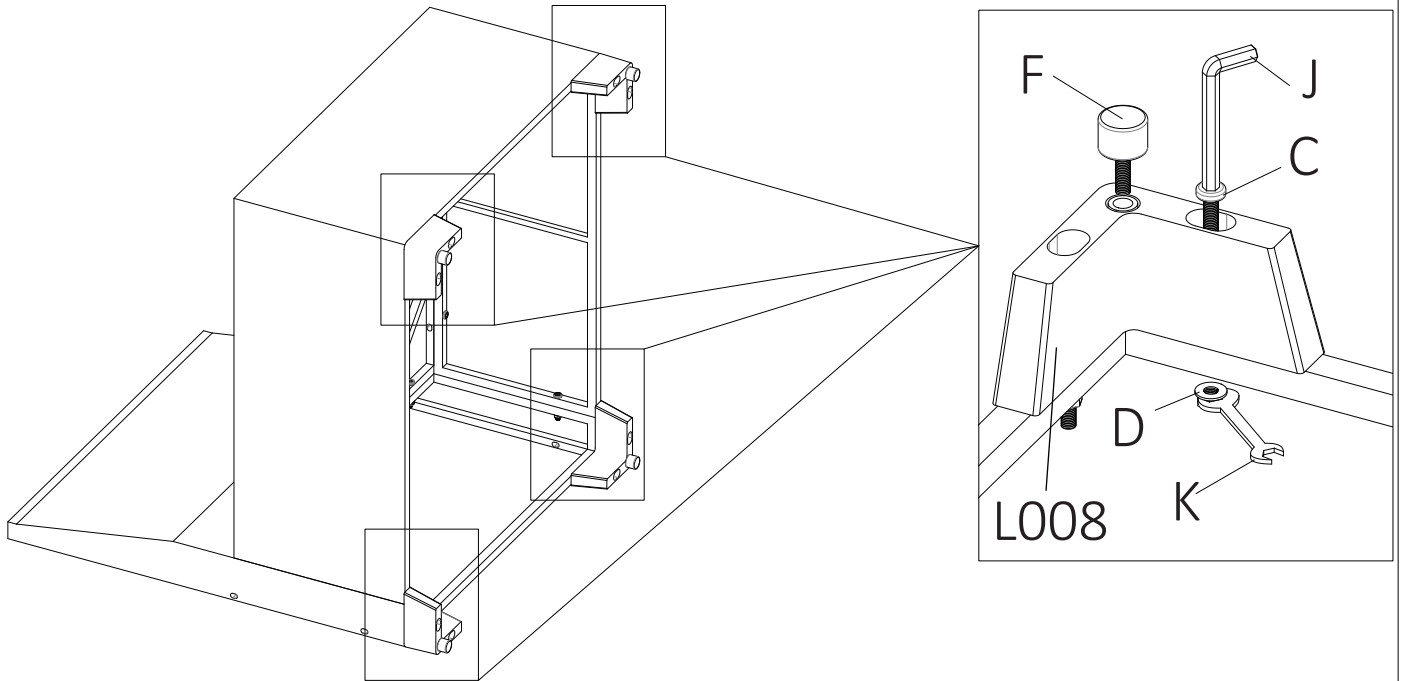
Jx 1



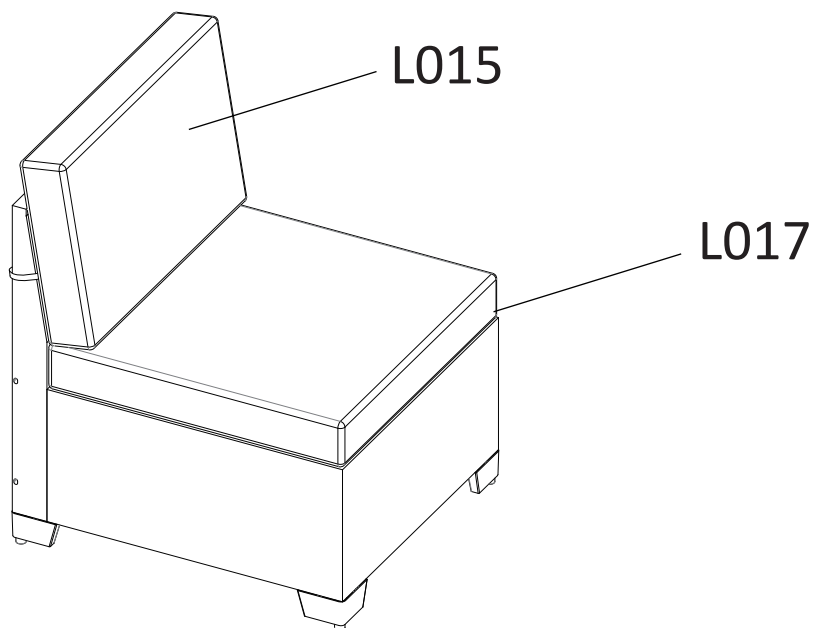
K x 1

# Armless Sofa

**Step 3** Assemble High L-Shaped Feet(L007) and Screw Feet.

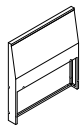
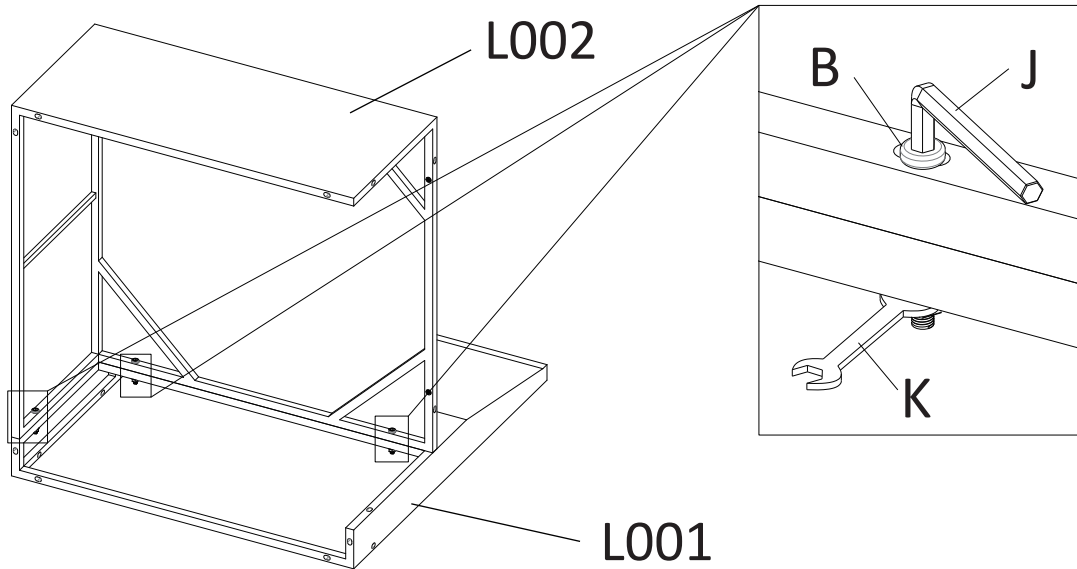


**Step 4** Put the Seat Cushion and Back Cushion on.  
 Tips: The cushions can be fixed on the back of the sofa with ties. If you don't need the ties, you can cut them off.

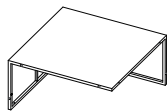


# Left Arm Sofa

**Step 1** Assemble Back Part(L001) And Seat Part(L002).  
 Tips:Do not 100% Tight.



L001 x 1



L002 x 1



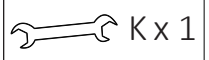
B x 3



D x 3

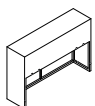
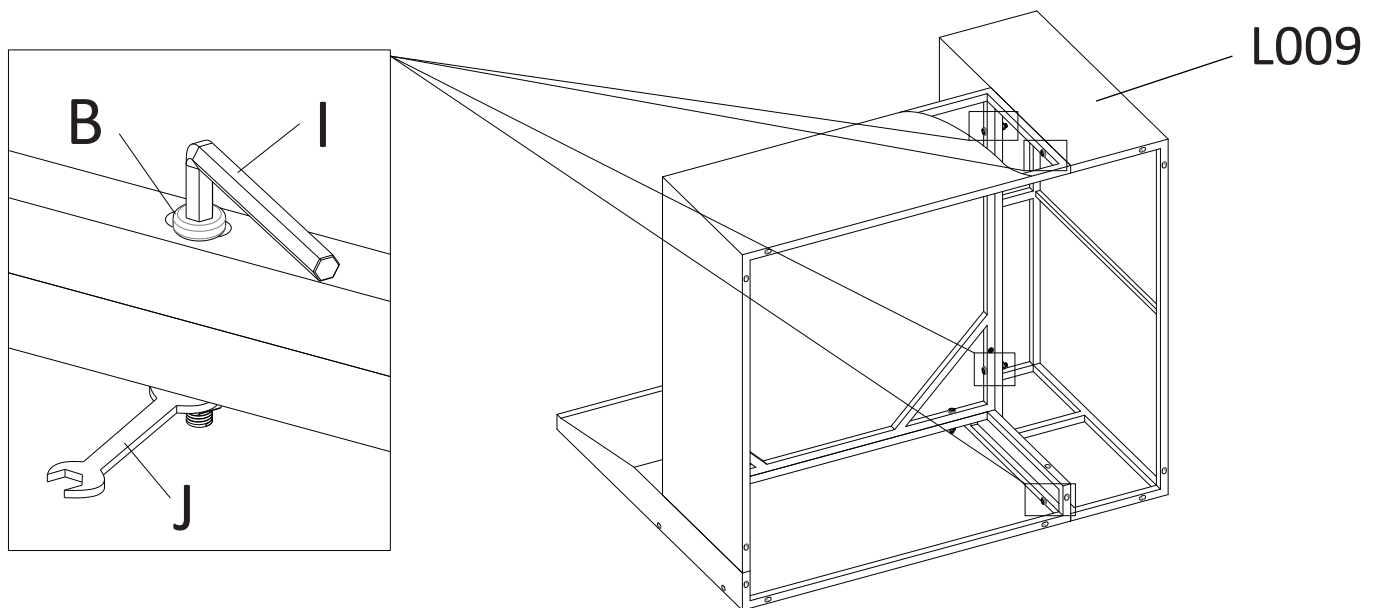


J x 1



K x 1

**Step 2** Assemble Arm Part(L009).  
 Tips:Screws 100% Tight This Step.



L009 x 1



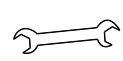
B x 4



D x 4



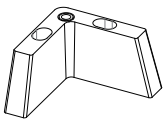
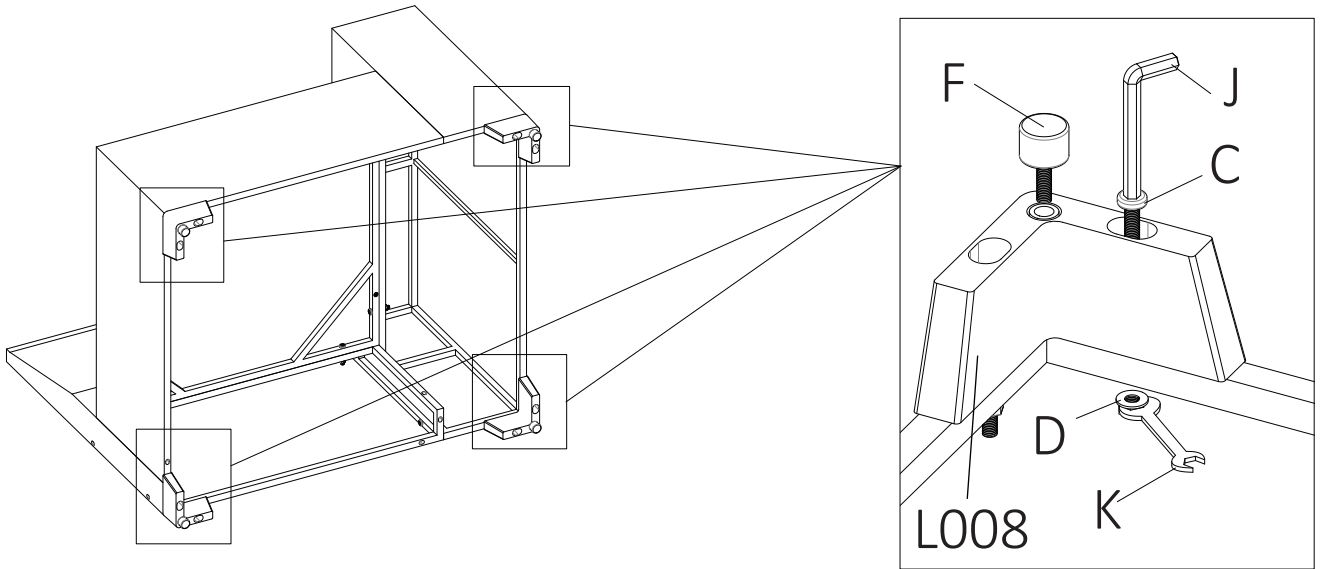
J x 1



K x 1

# Left Arm Sofa

**Step 3** Assemble High L-Shaped Feet(L007).



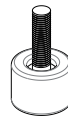
L008 x4



B x8



D x8



E x4



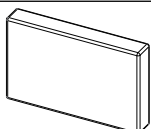
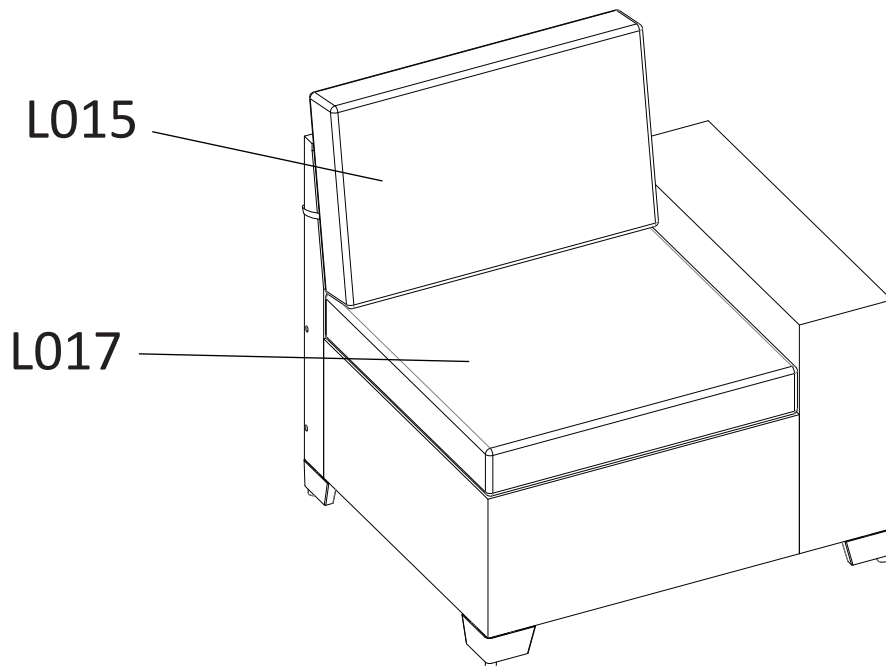
J x1



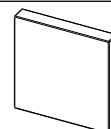
**Step 4**

Put the Seat Cushion(L017) and Back Cushion(L015) on.

Tips: The cushions can be fixed on the back of the sofa with ties. If you don't need the ties, you can cut them off.



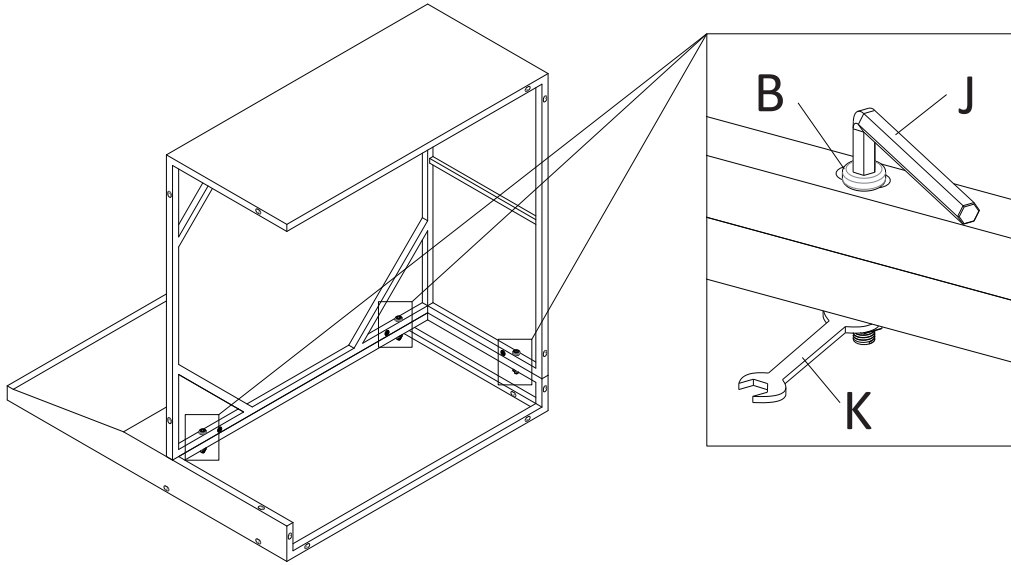
L015 x1



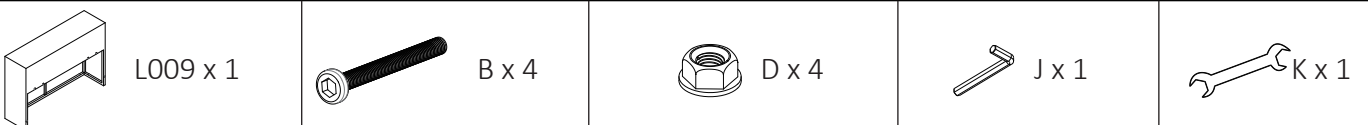
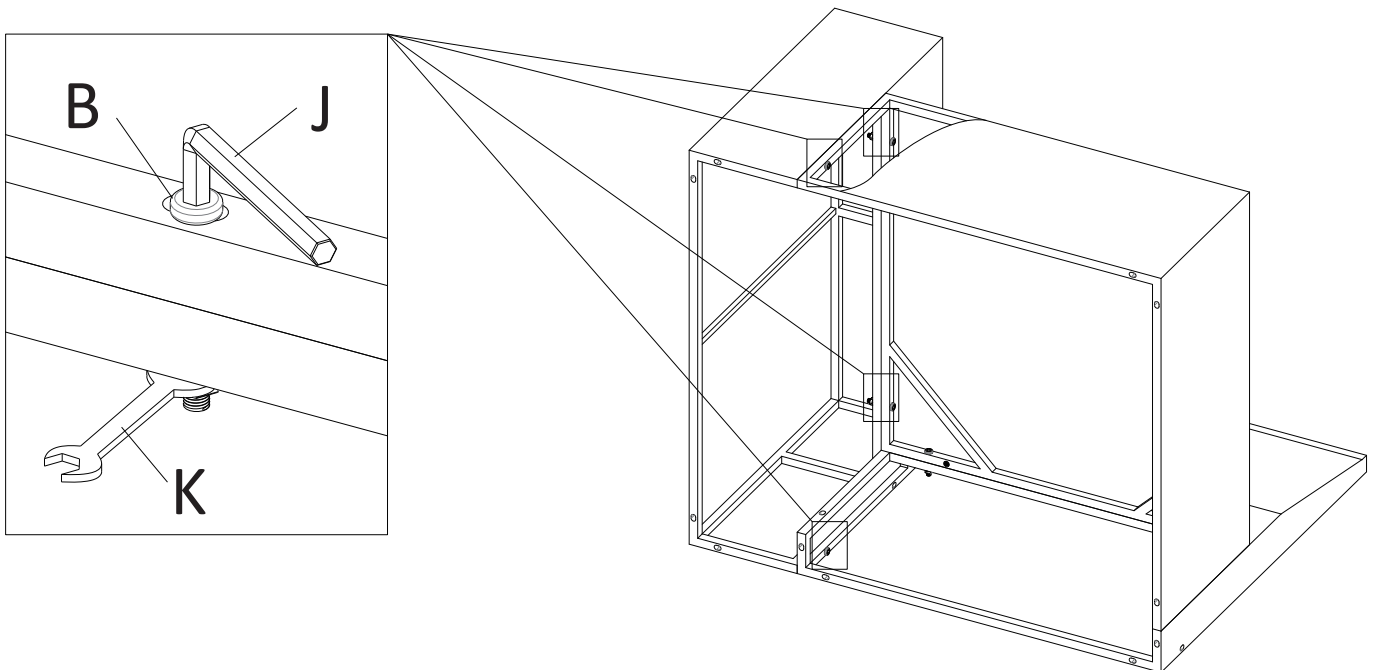
L017 x1

# Right Arm Sofa

**Step 1** Assemble Back Part(L001) And Seat Part(L002).  
 Tips:Do not 100% Tight.

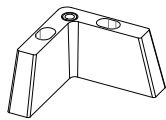
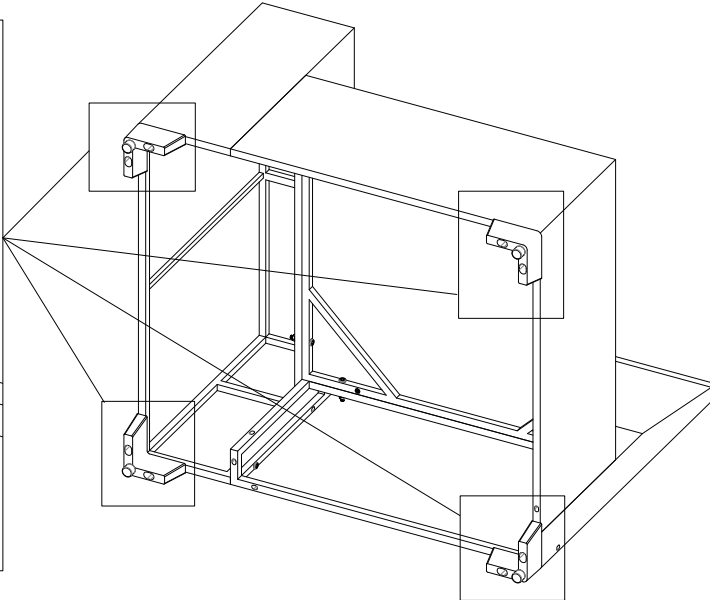
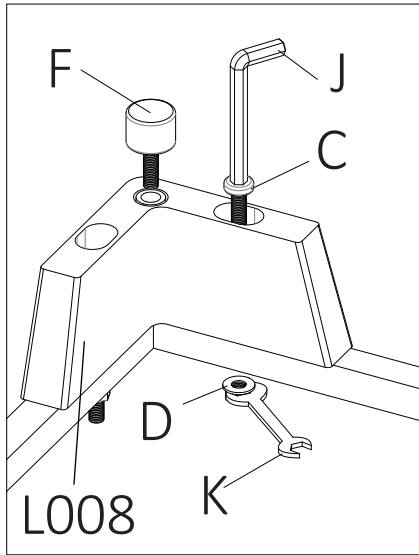


**Step 2** Assemble Arm Part(L009) .  
 Tips:Screws 100% Tight This Step.



# Right Arm Sofa

**Step 3** Assemble High L-Shaped Feet(L007).



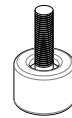
L008 x4



C x8



D x8



E x 4



J x 1

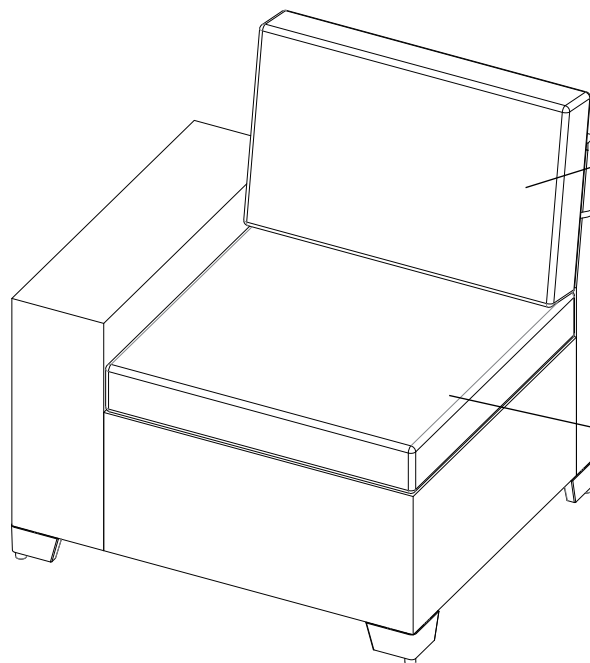


K x 1

**Step 4**

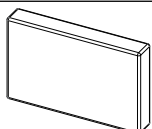
Put the Seat Cushion(L017) and Back Cushion(L015) on.

Tips: The cushions can be fixed on the back of the sofa with ties. If you don't need the ties, you can cut them off.

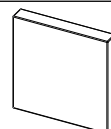


L015

L017



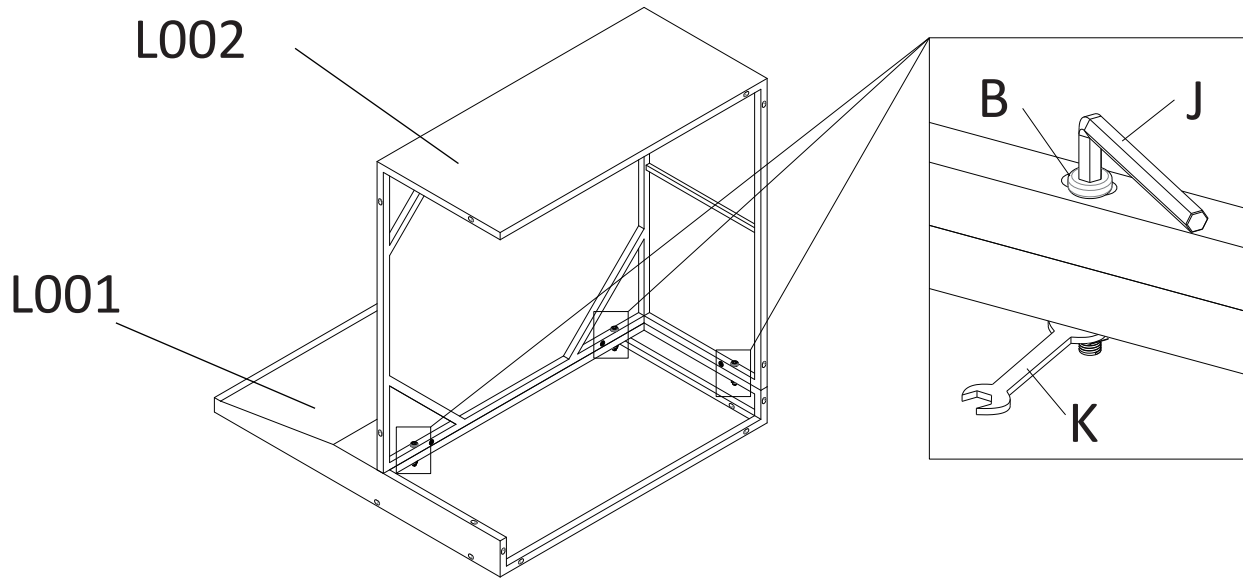
L015 x1

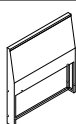
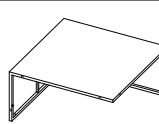


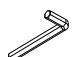



L017 x1

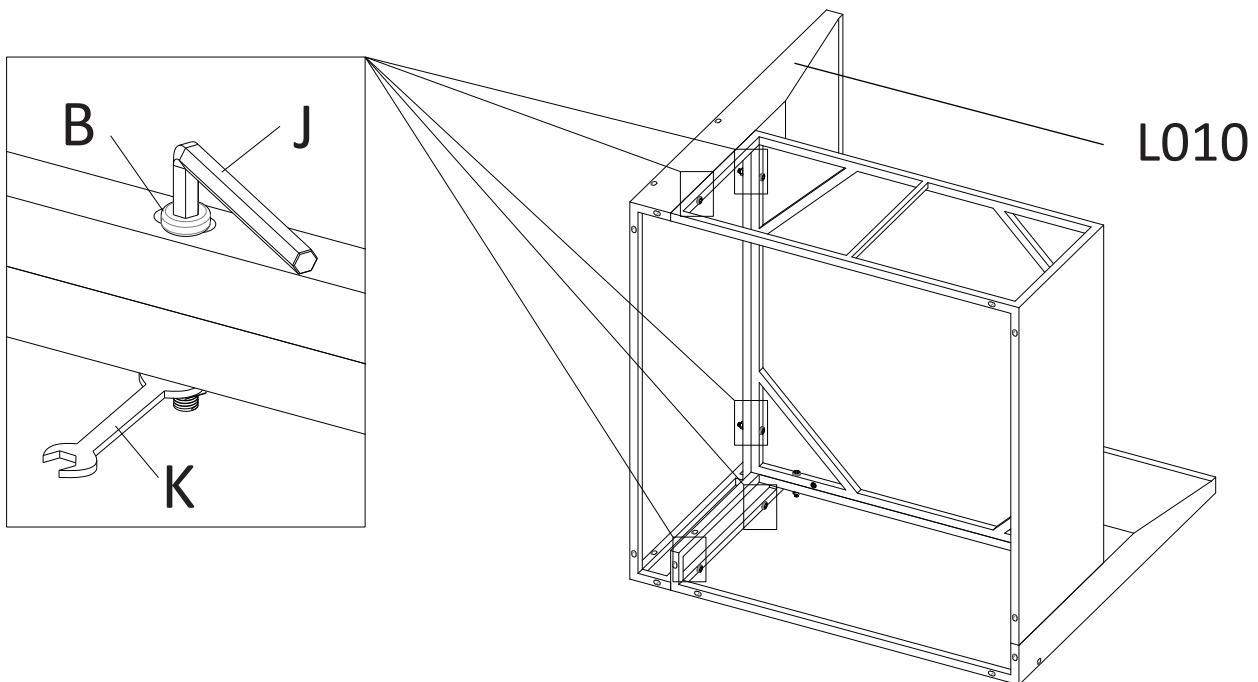
# Corner Sofa

**Step 1** Assemble Back Part(L001) And Seat Part(L002).  
 Tips:Do not 100% Tight.



- |   |  |   |   |   |   |
|---|--|---|---|---|---|
|  L001 x 1 |  L002 x 1 |  B x 3 |  D x 3 |  J x 1 |  K x 1 |
|---|--|---|---|---|---|

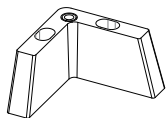
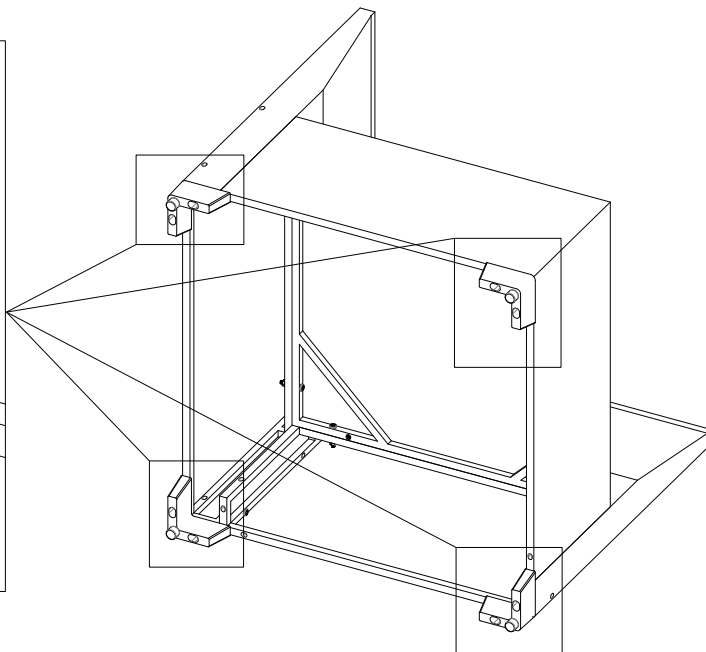
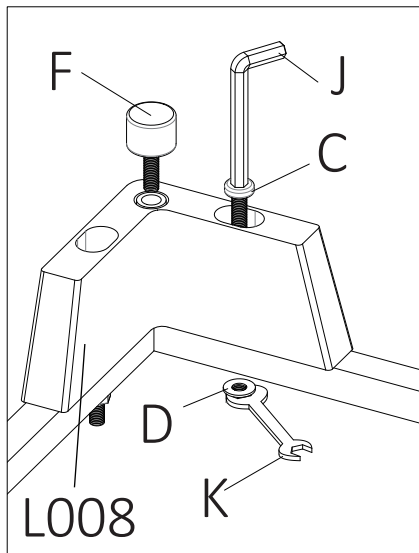
**Step 2** Assemble Long Back Part(L010).  
 Tips:Screws 100% Tight This Step.



- |   |   |   |   |   |
|---|---|---|---|---|
|  L010 x 1 |  B x 5 |  D x 5 |  J x 1 |  K x 1 |
|---|---|---|---|---|

## Corner Sofa

**Step 3** Assemble High L-Shaped Feet(L007).



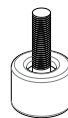
L008 x4



C x8



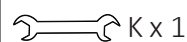
D x8



E x4



J x1



K x1

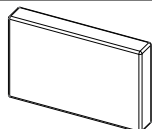
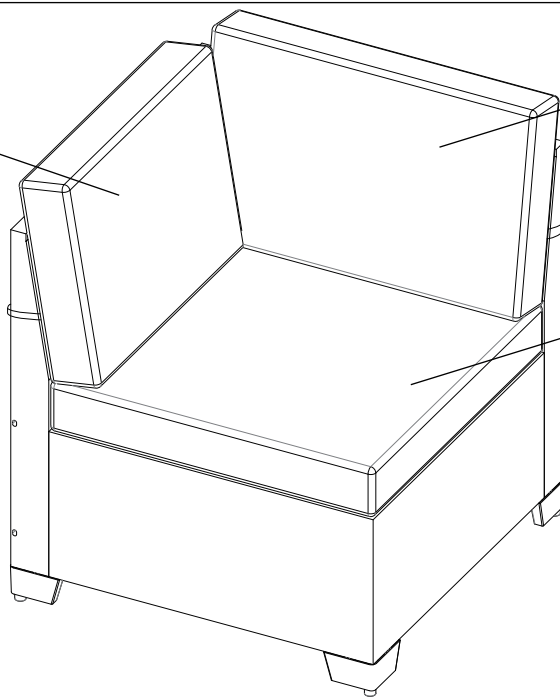
**Step 4**

Put the Seat Cushion(L017), Short Back Cushion(L016) and Long Back Cushion(L015) on.  
 Tips: The cushions can be fixed on the back of the sofa with ties. If you don't need the ties, you can cut them off.

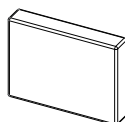
L016

L015

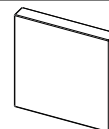
L017



L015 x1



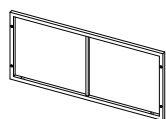
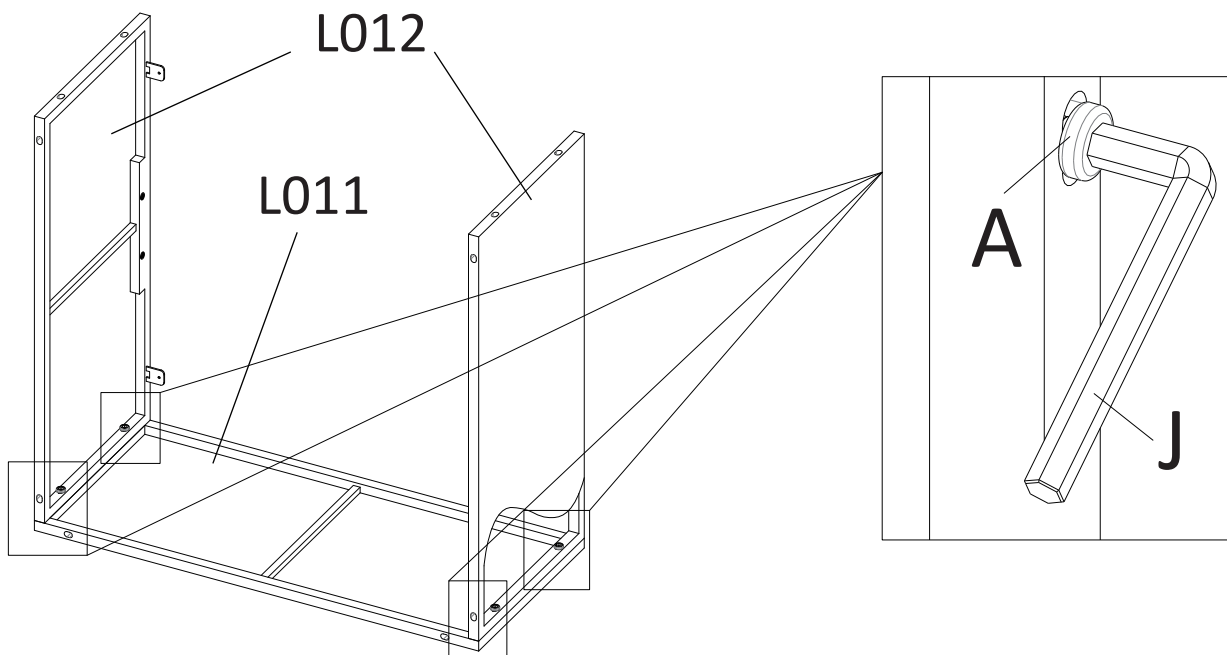
L016 x1



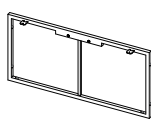
L017 x1

# Coffee Table

**Step 1** Assemble L011 and L012.  
 Tips: Do not 100% tight.



L011 x 1



L012 x 2

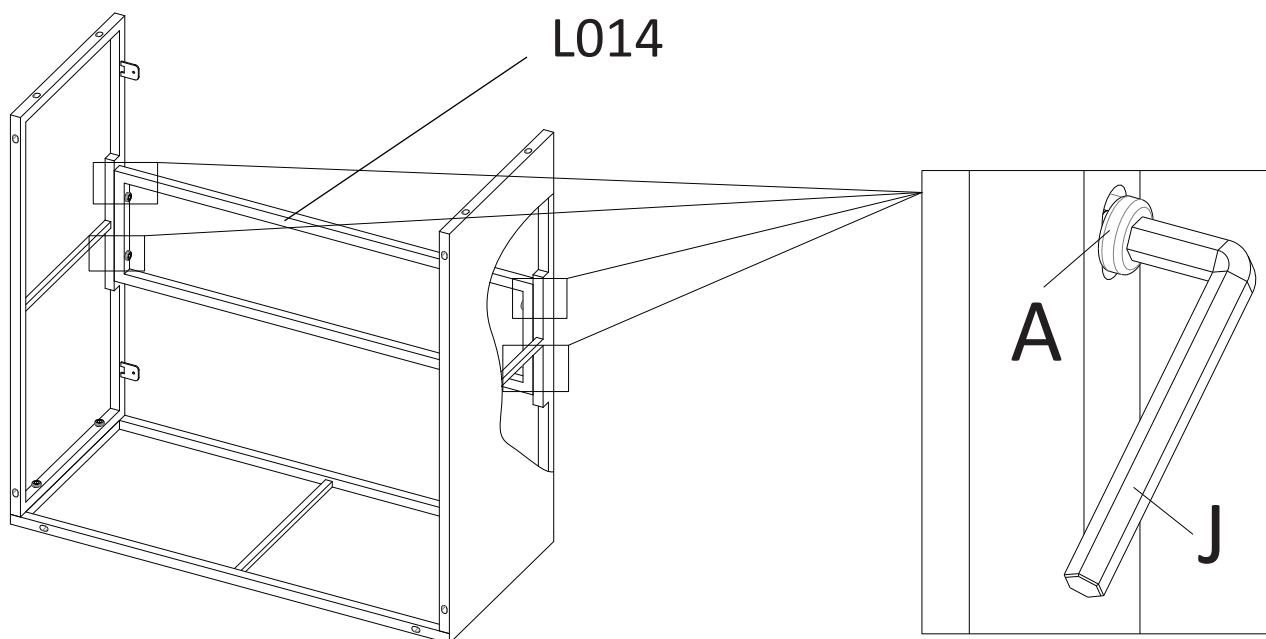


A x 4



J x 1

**Step 2** Assemble L014.  
 Tips: Do not 100% tight.



L014 x 1



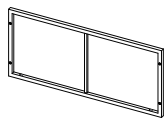
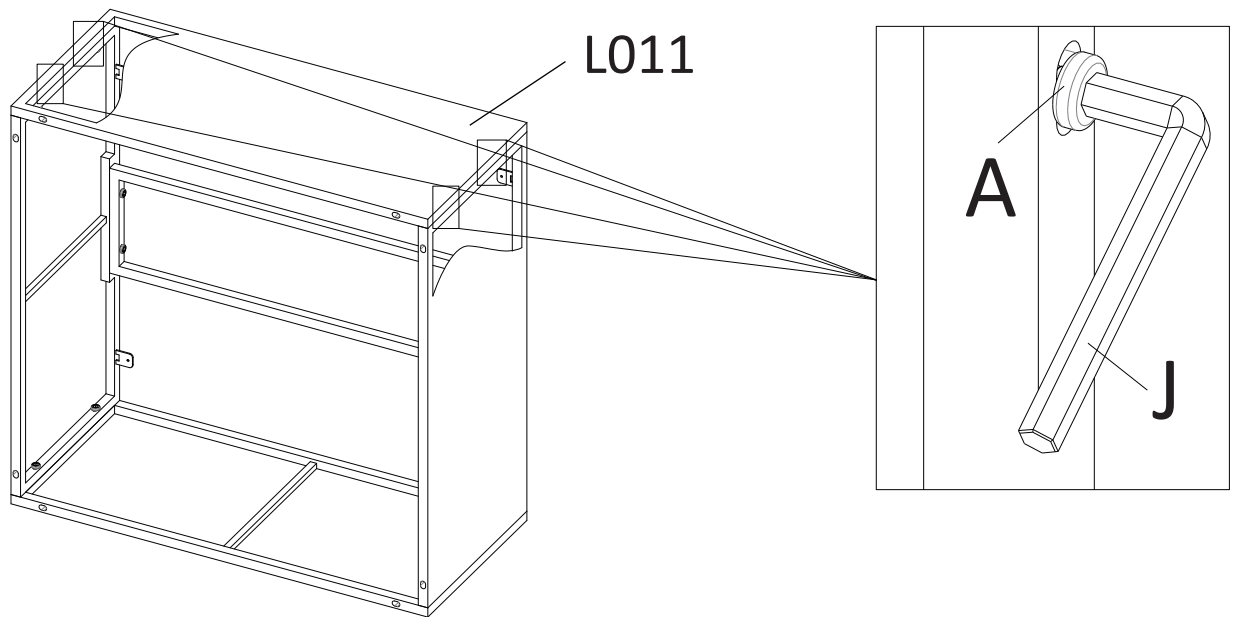
A x 4



J x 1

# Coffee Table

**Step 3** Assemble L011.  
 Tips:Screws 100% Tight This Step.



L011 x 1

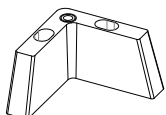
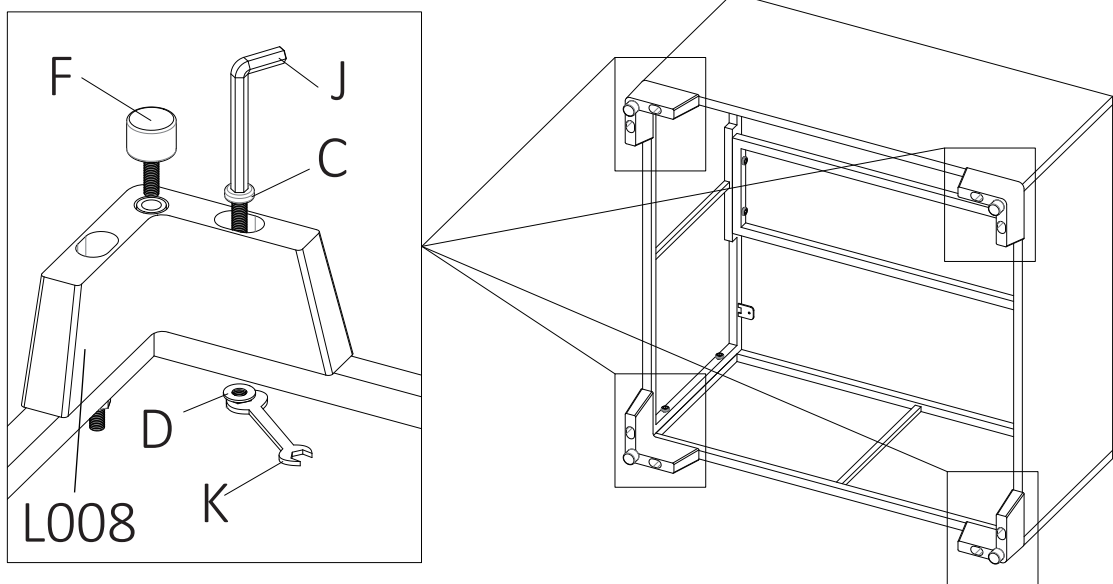


A x 4



J x 1

**Step 4** Assemble High L-Shaped Feet(L007).



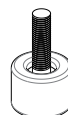
L008 x 4



C x 8



D x 8



E x 4



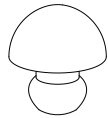
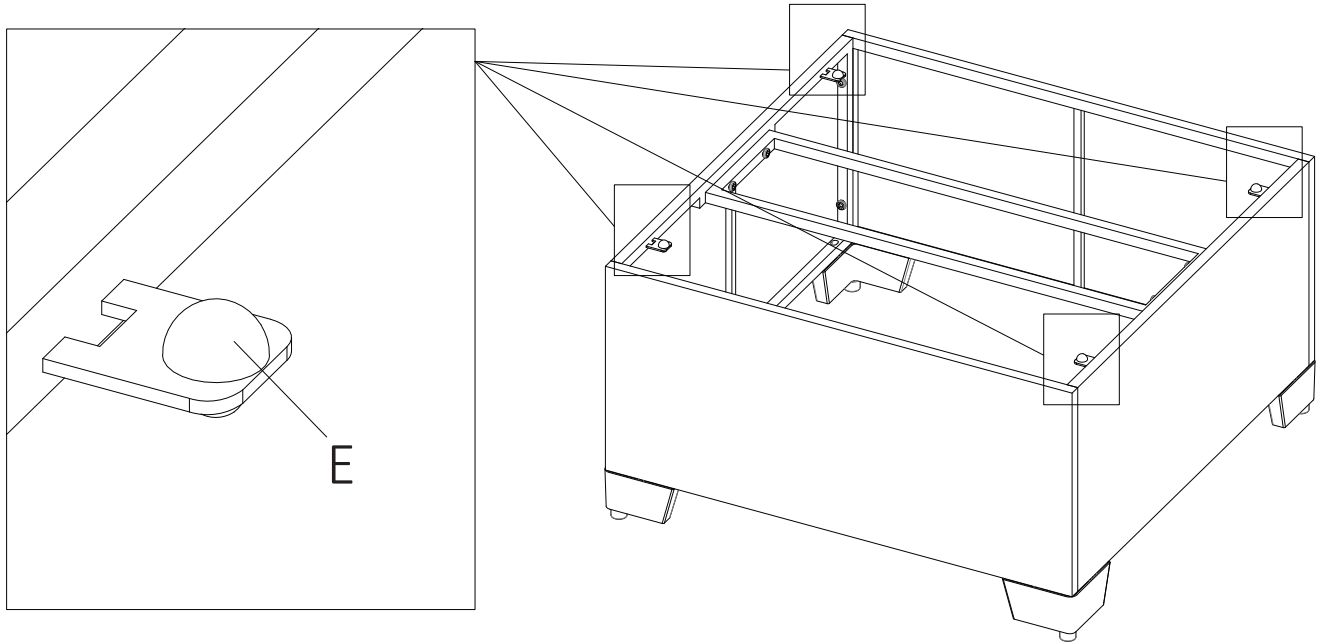
J x 1



K x 1

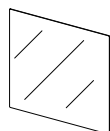
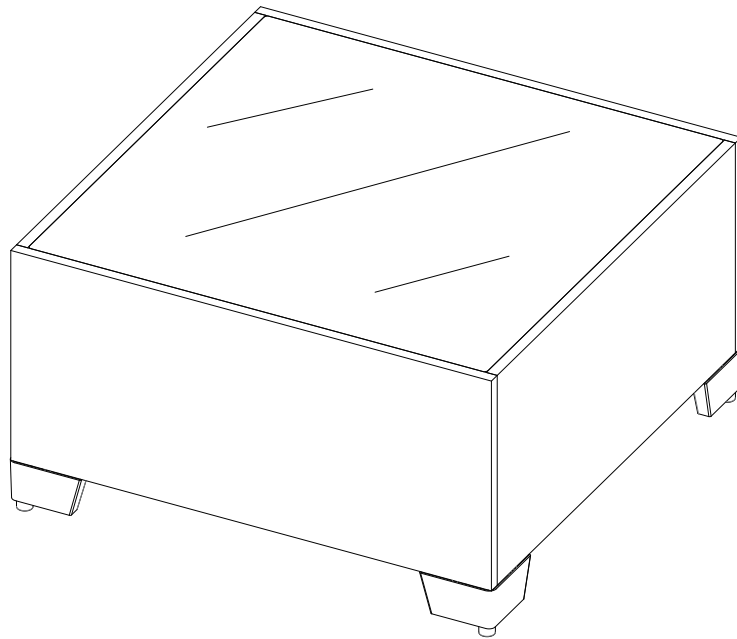
# Coffee Table

**Step 5** Press in the Glass Pads(E).



E x 4

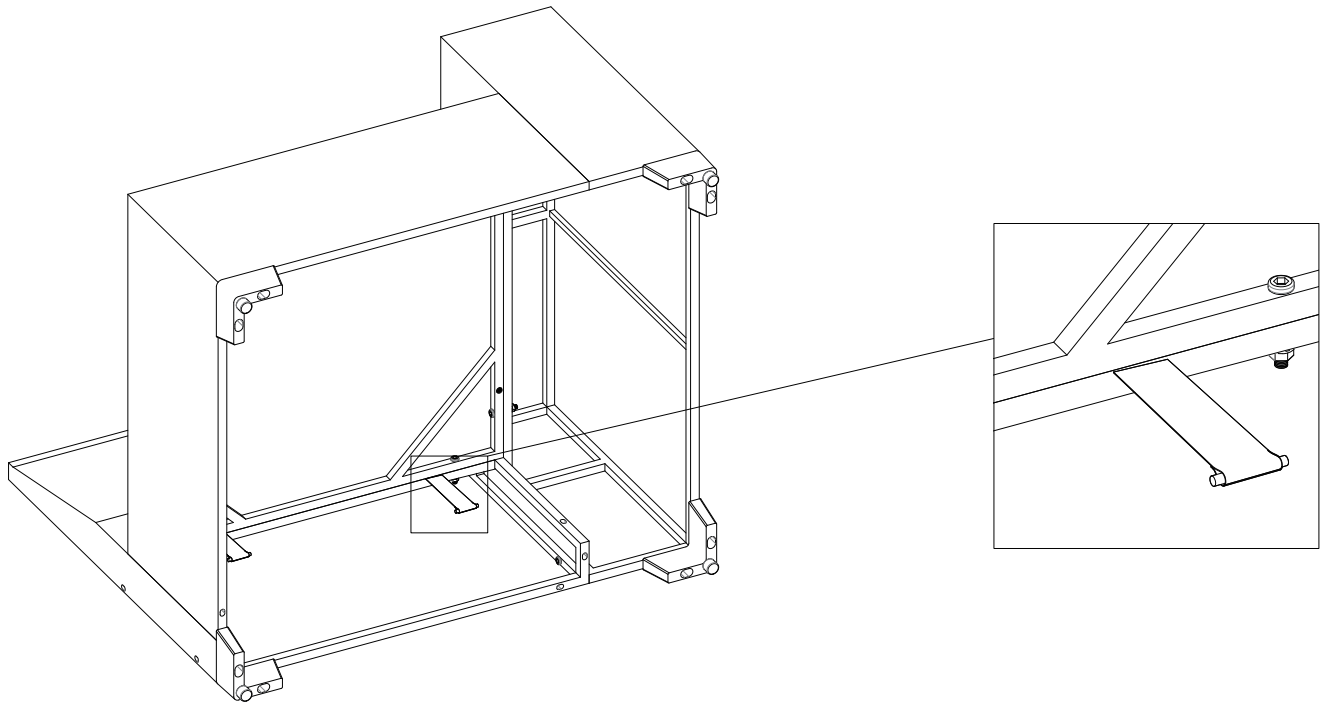
**Step 6** Put on the Glass Top(L013).



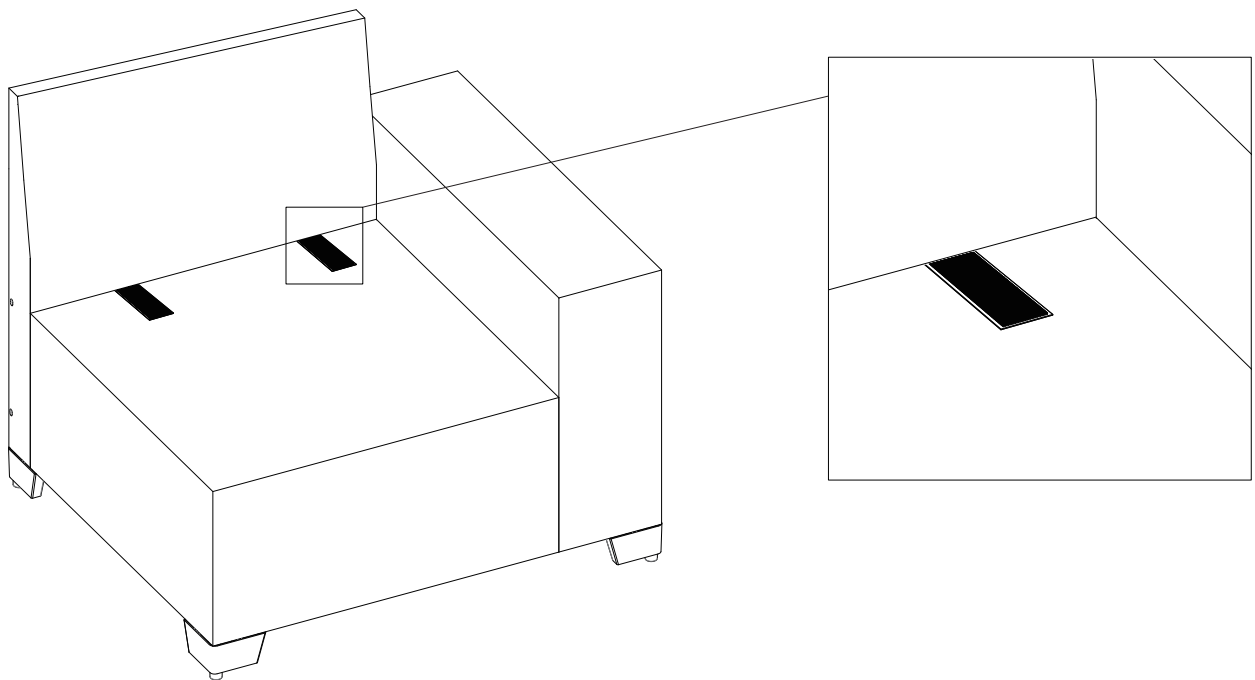
L013 x 1

# Accessory Replacement

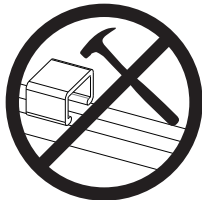
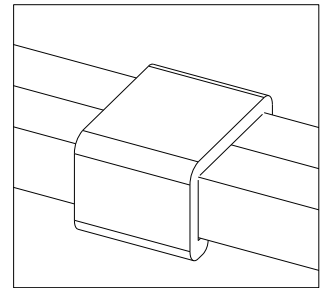
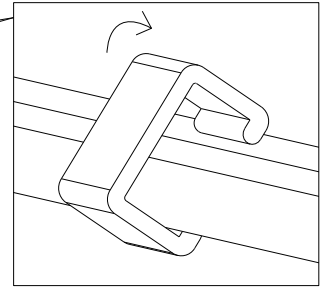
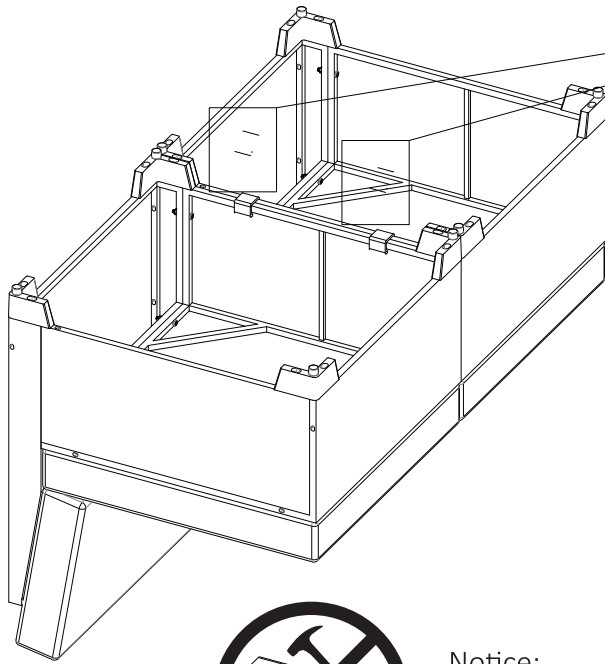
**Step 1** Tuck the prickly tie out of the seam at the bottom of the sofa.



**Step 2** Pull out the prickly tie from the surface of the sofa to spread out and adjust to the right position



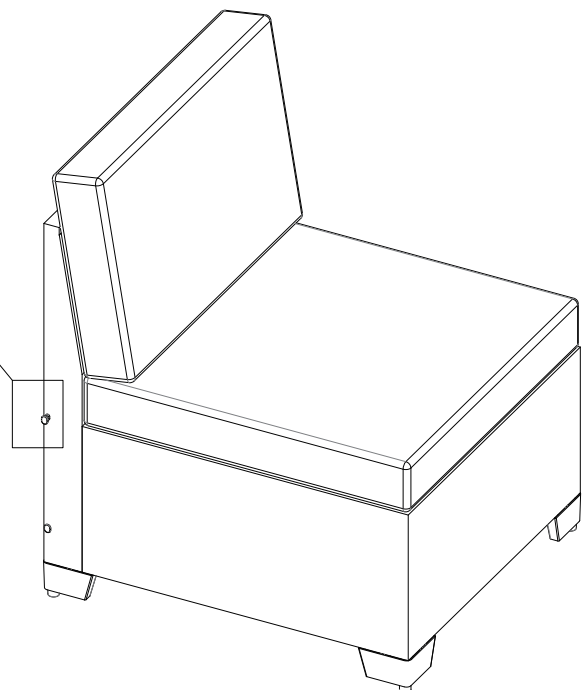
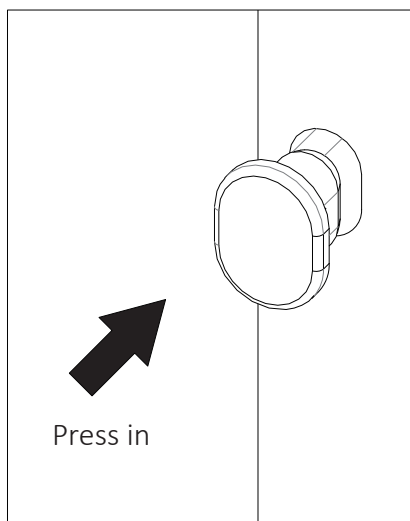
## U-Shaped Connector



Notice:  
Do not use tools such as hammers;  
You can scald it with hot water to soften it.

## How to Assemble End Cap

You can cover all the holes by press in the end caps.



## Cushion Manual



5pcs white foam for seat cushion  
5pcs PP cotton filler for long back pillow  
1pc PP cotton filler for short back pillow



5pcs long back pillow covers  
1pc short back pillow covers



5pcs seat cushion covers



Open pillow filler packing



Put the pillow filler inside the cover



Back pillow



Open seat cushion white foam packing



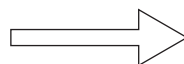
Put the white foam inside the cover



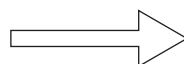
Seat Cushion



1pc short back pillows



5pcs long back pillows



5pcs seat cushions

### Please Note:

Because the cushion and pillow infilling is vacuum packed, So after you open the bag and put them into the covers, The springback of the PP cotton of pillow need some more time than the white foam cushion, usually need 3-4 days. It can make the time shorter if slapping the pillows with the palm or other flat object.