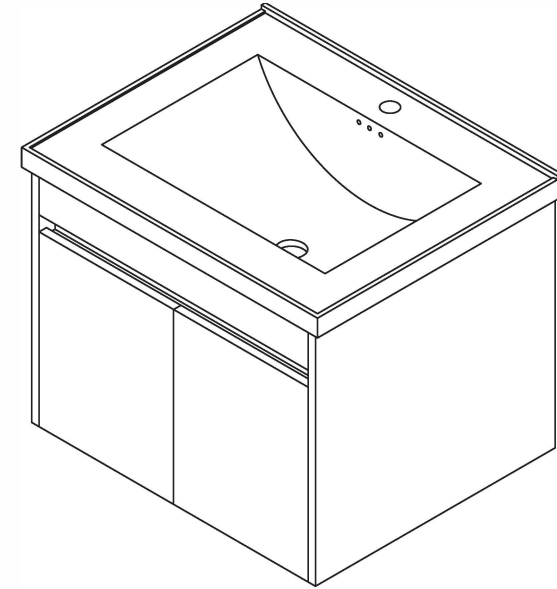


Installation Manual







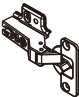

THANKS FOR WATCHING

Your feedback is invaluable to us and we would love to hear about your experience. Please take the time to leave us a review.

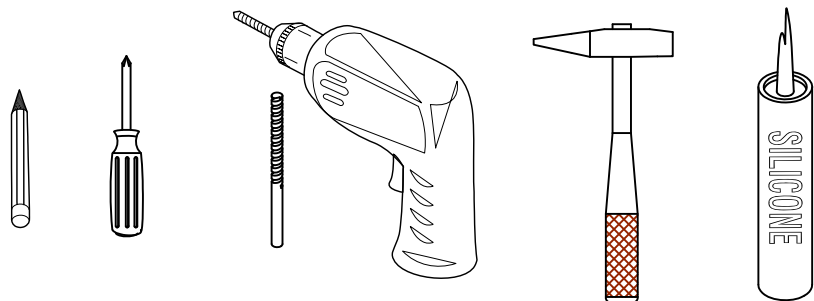
Thank you for shopping with us!

We encourage you to take a few minutes to go through this booklet. It contains important information on installation and care tips to keep your furniture looking as good as new.

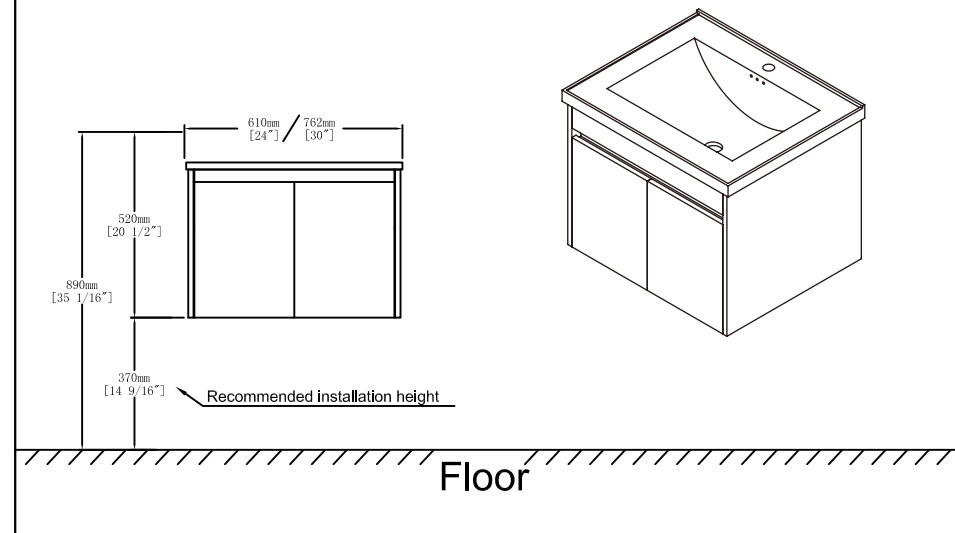
Hardware

NO.	Draw	QTY
A		21
B		21
C		40
D		2
E		4
F		2

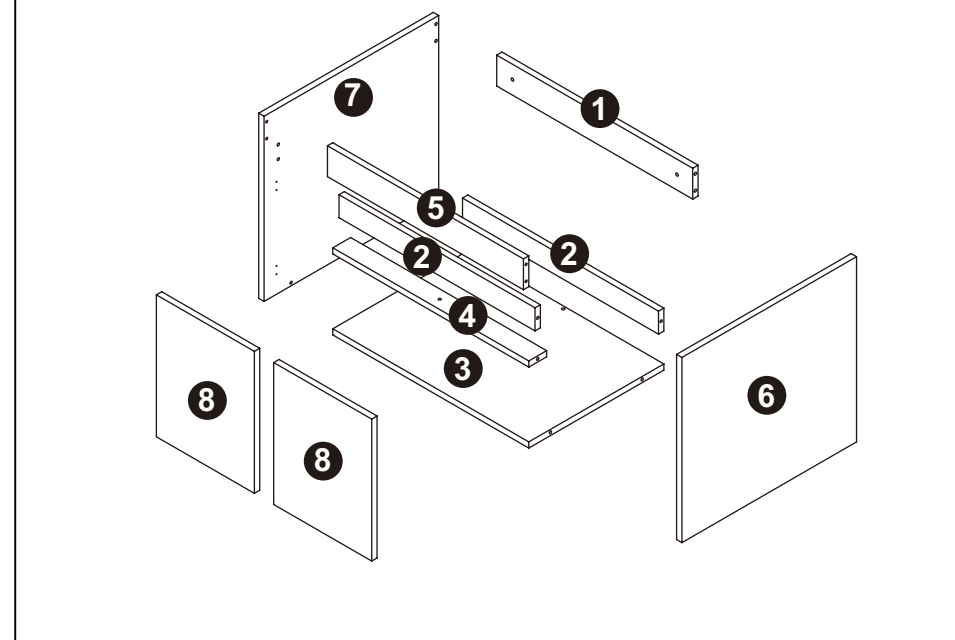
Recommended tools



Dimensions



Components

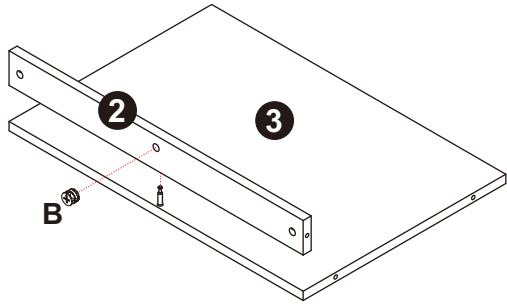


STEP5



x1

B

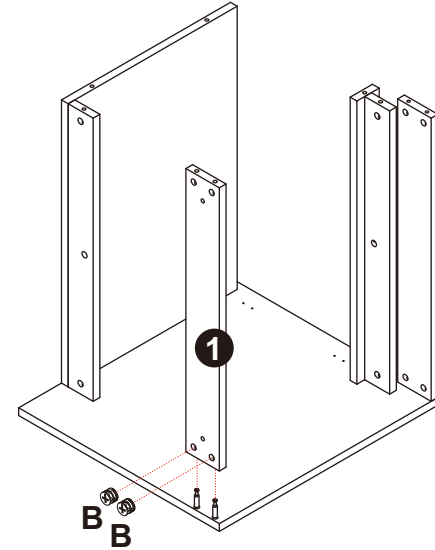


STEP7



x2

B

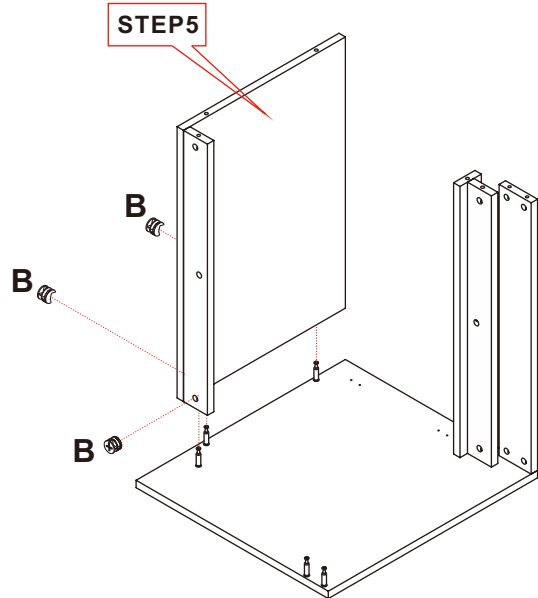


STEP6



x3

B



STEP8



x9

B

