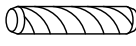

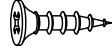

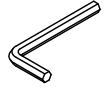


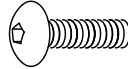
A	x8
	
Ø8*30mm	


B	x4
	


C	x8
	
Ø3.5*14mm	

D	x48
	
M7*50mm	

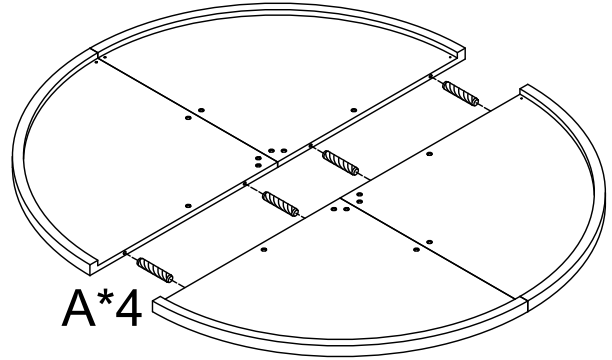
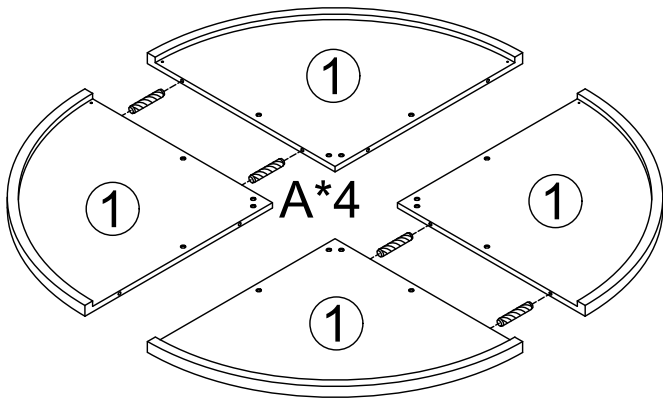
E	x1
	
M4	


F	x16
	
M6*25mm	

G	x6
	

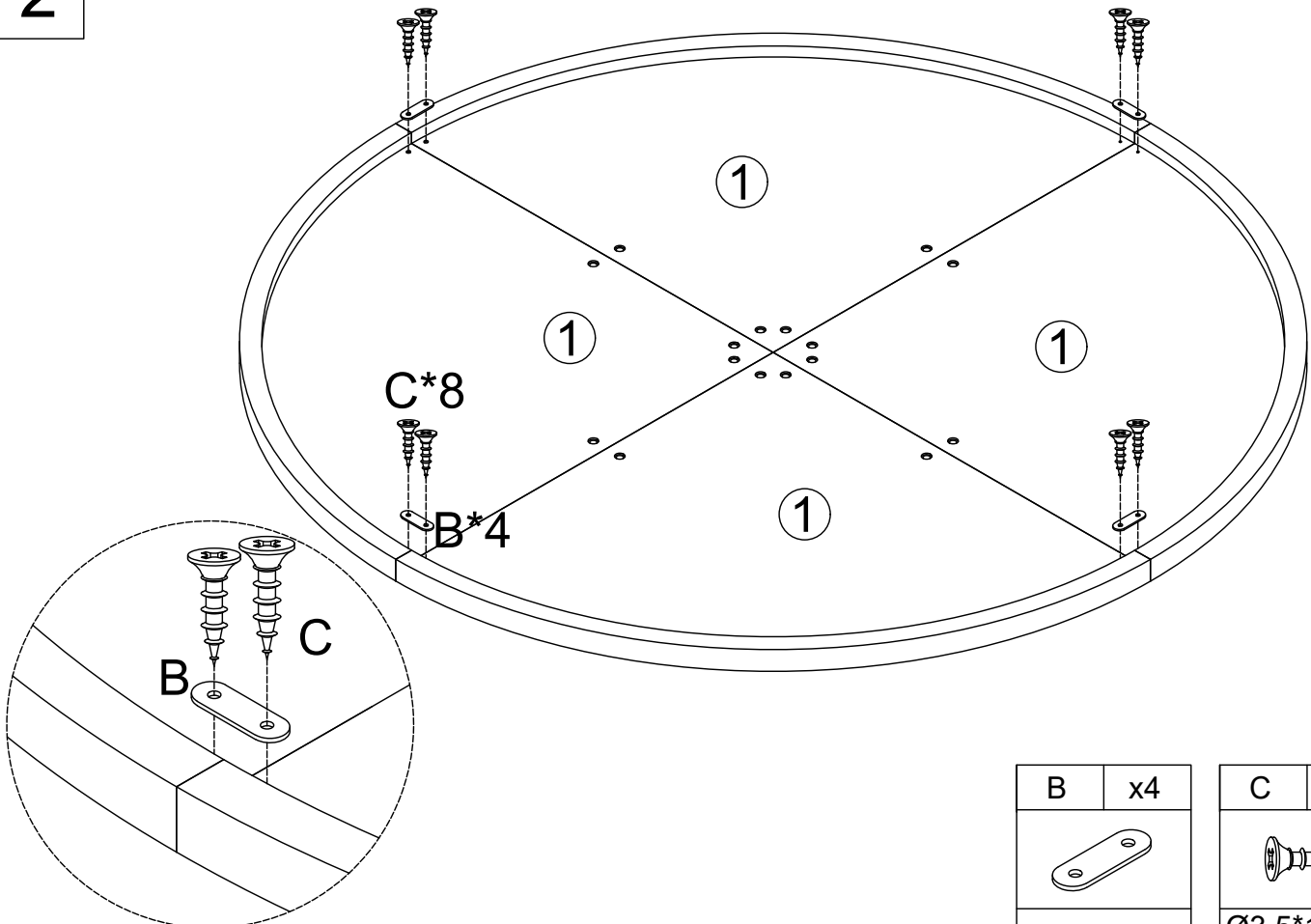
H	x4
	
Ø20mm	

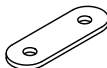
1

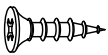


A	x8
	
Ø8*30mm	

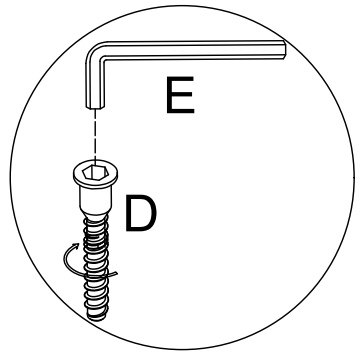
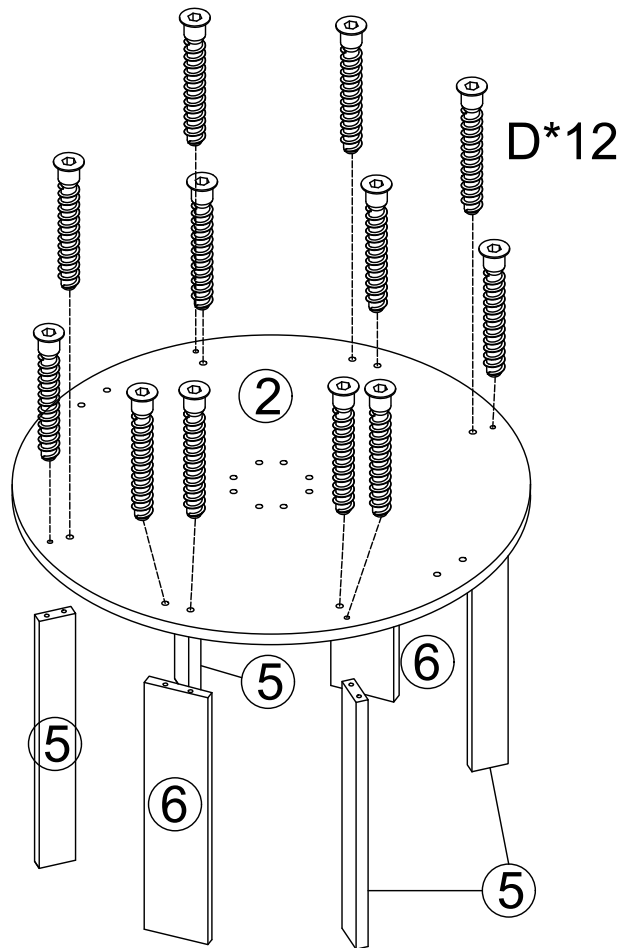
2


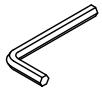


B	x4
	

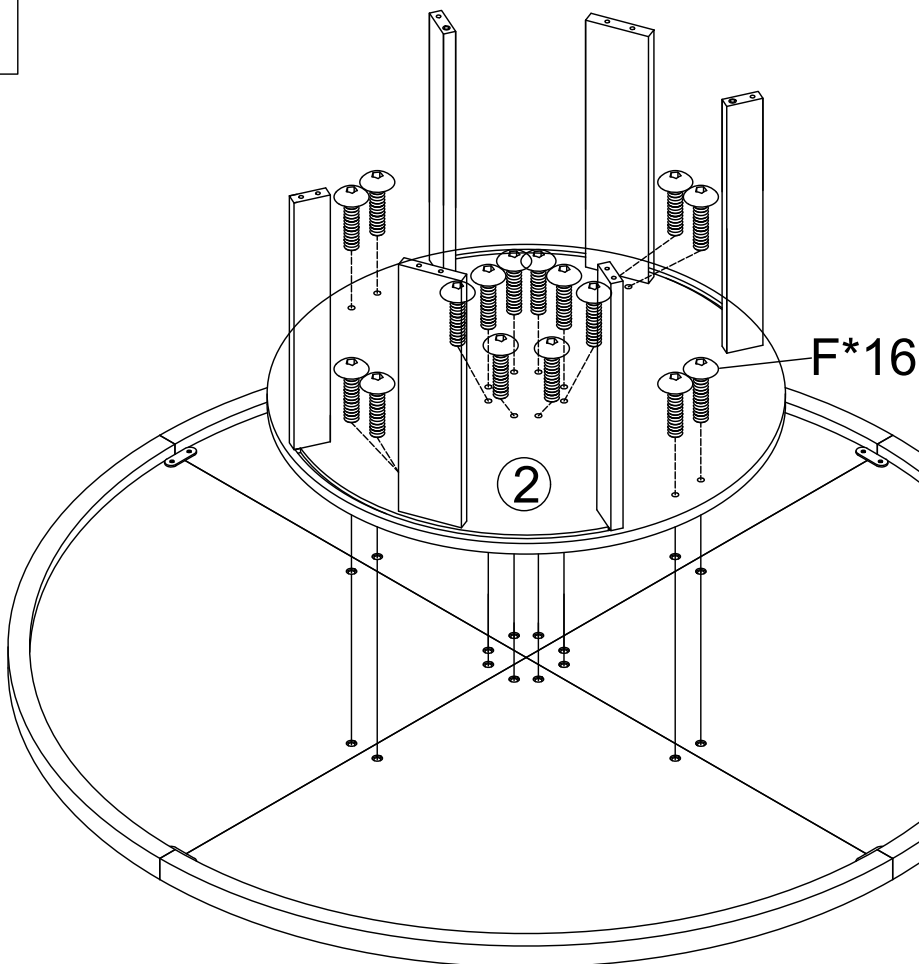
C	x8
	
Ø3.5*14mm	

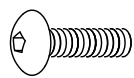
3



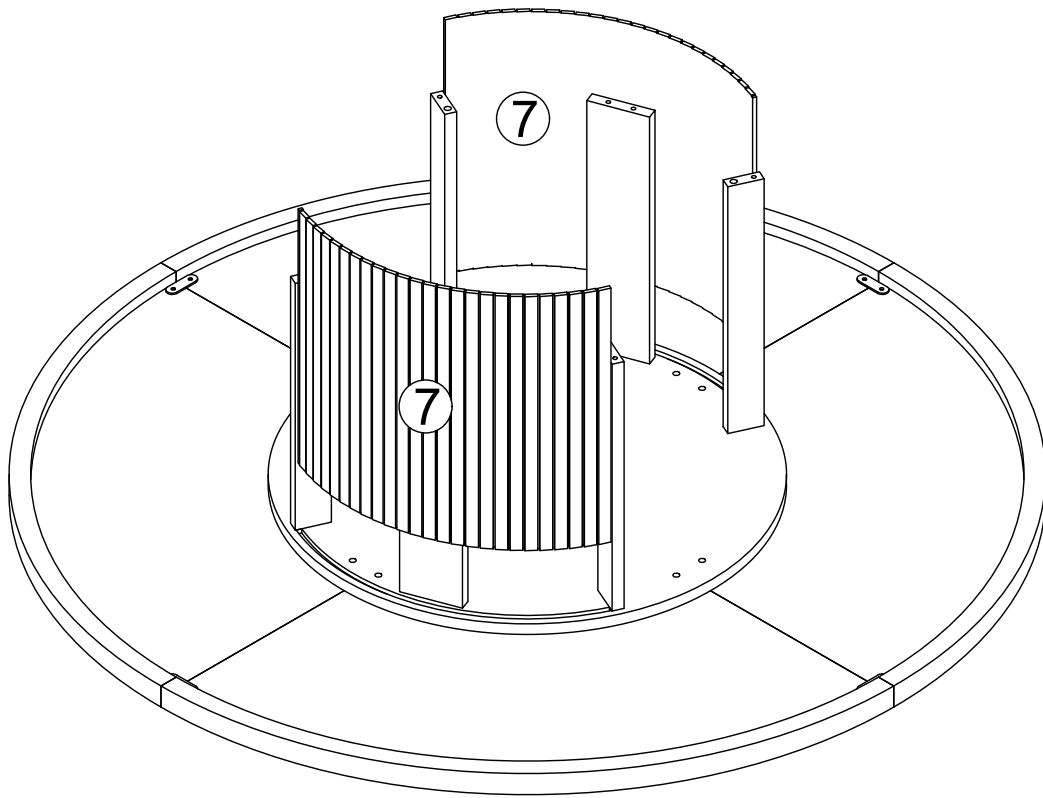
D	x12	E	x1
			
M7*50mm		M4	

4

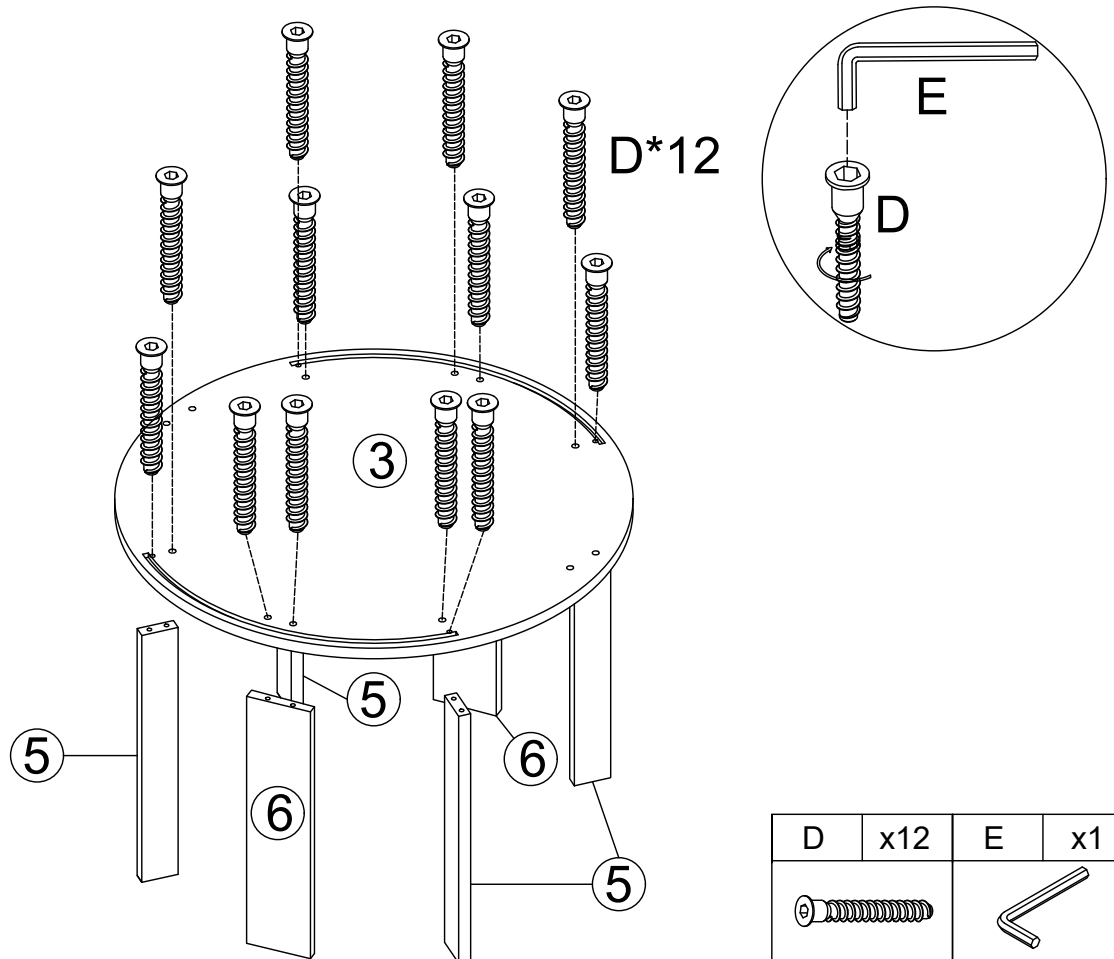



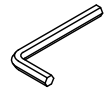
F	x16
	
M6*25mm	

5

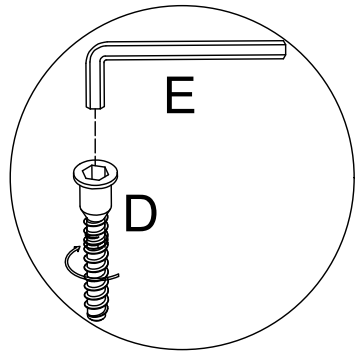
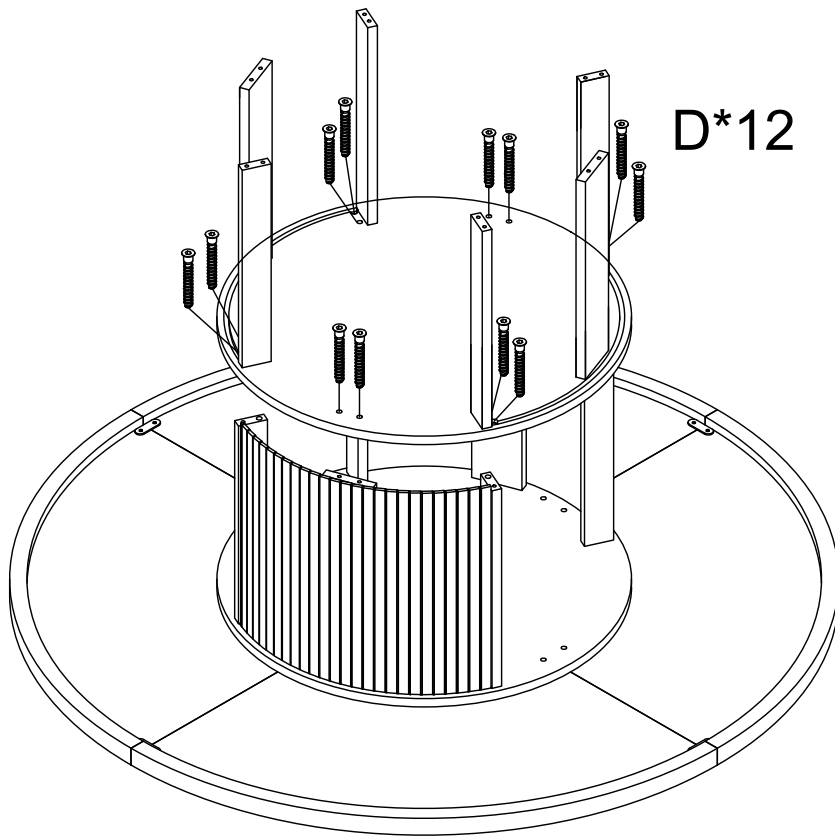



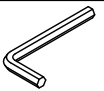
6



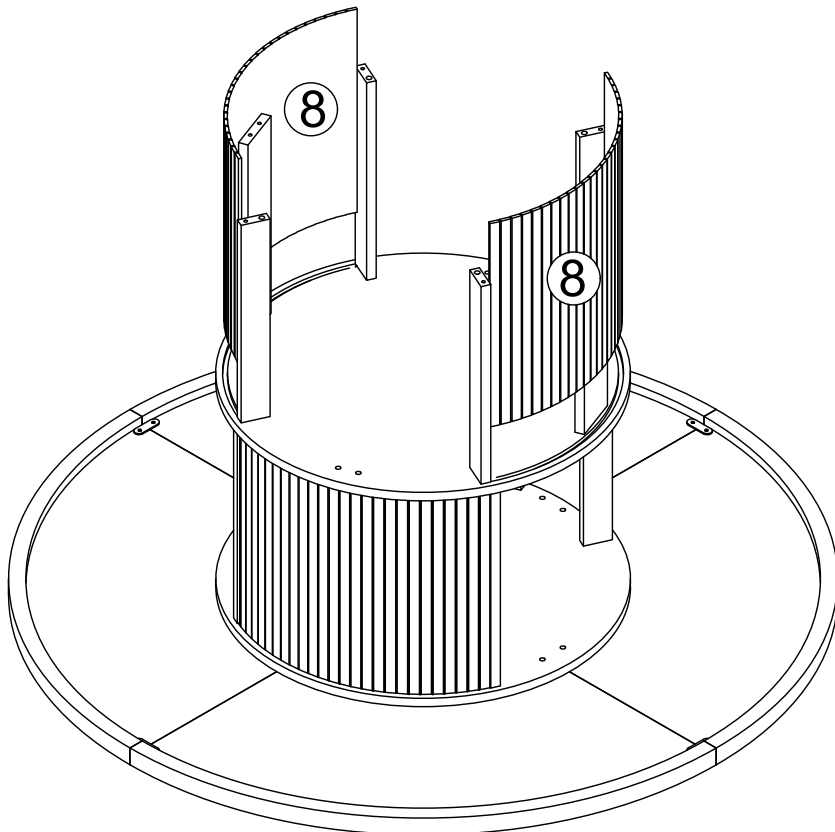
D	x12	E	x1
			
M7*50mm		M4	

7

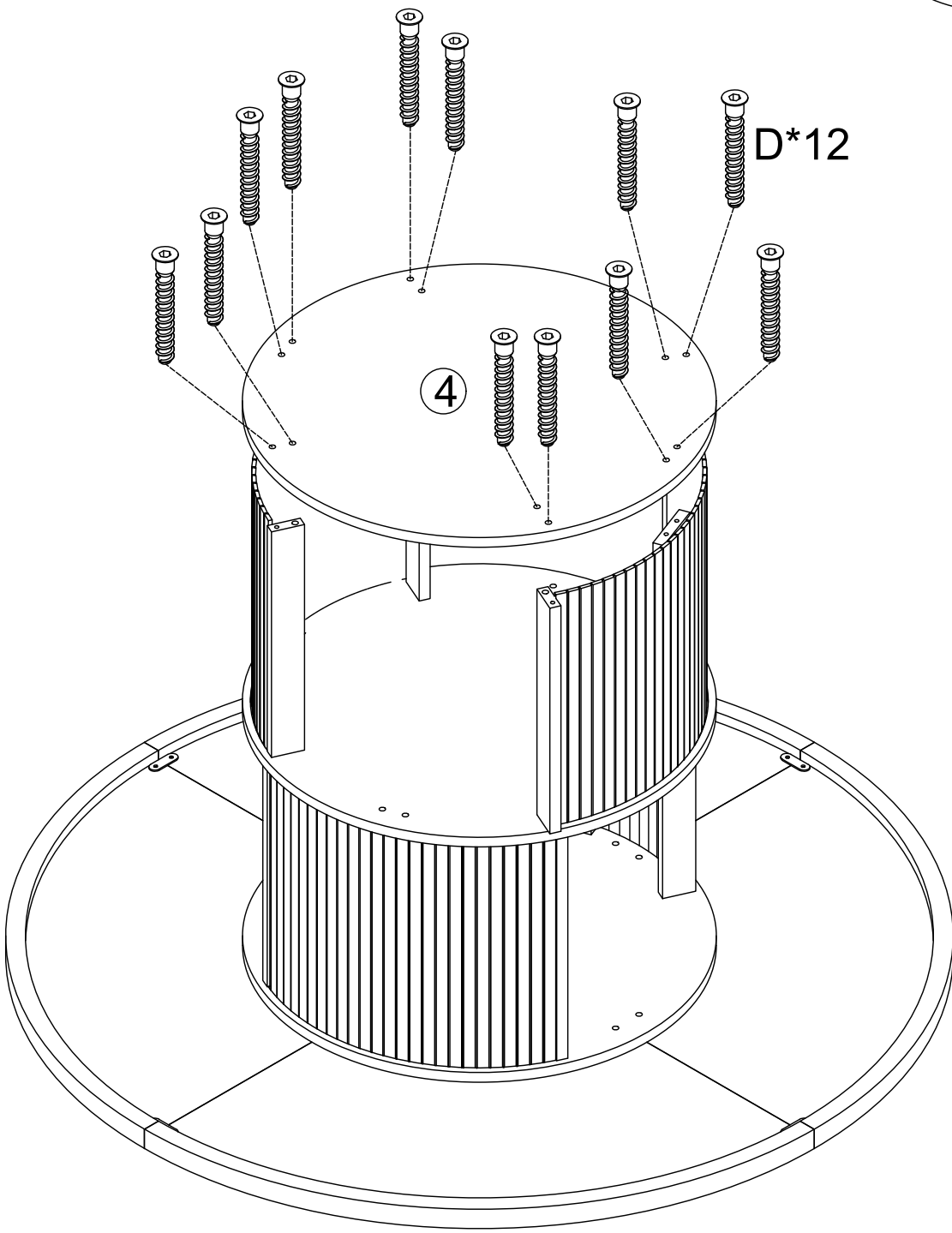
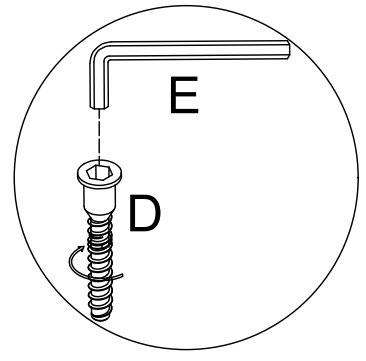



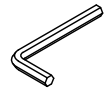
D	x12	E	x1
			
M7*50mm		M4	

8

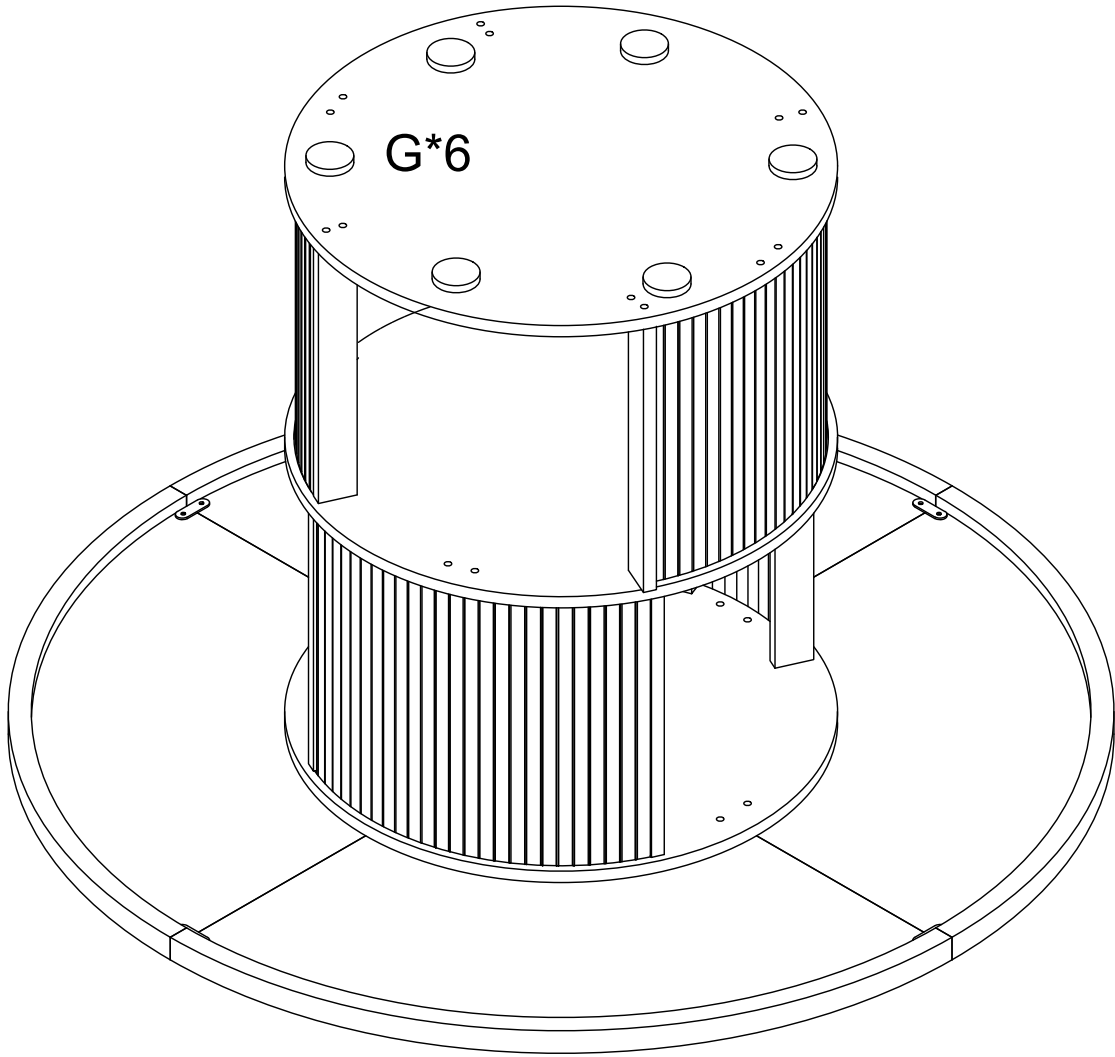


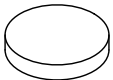
9



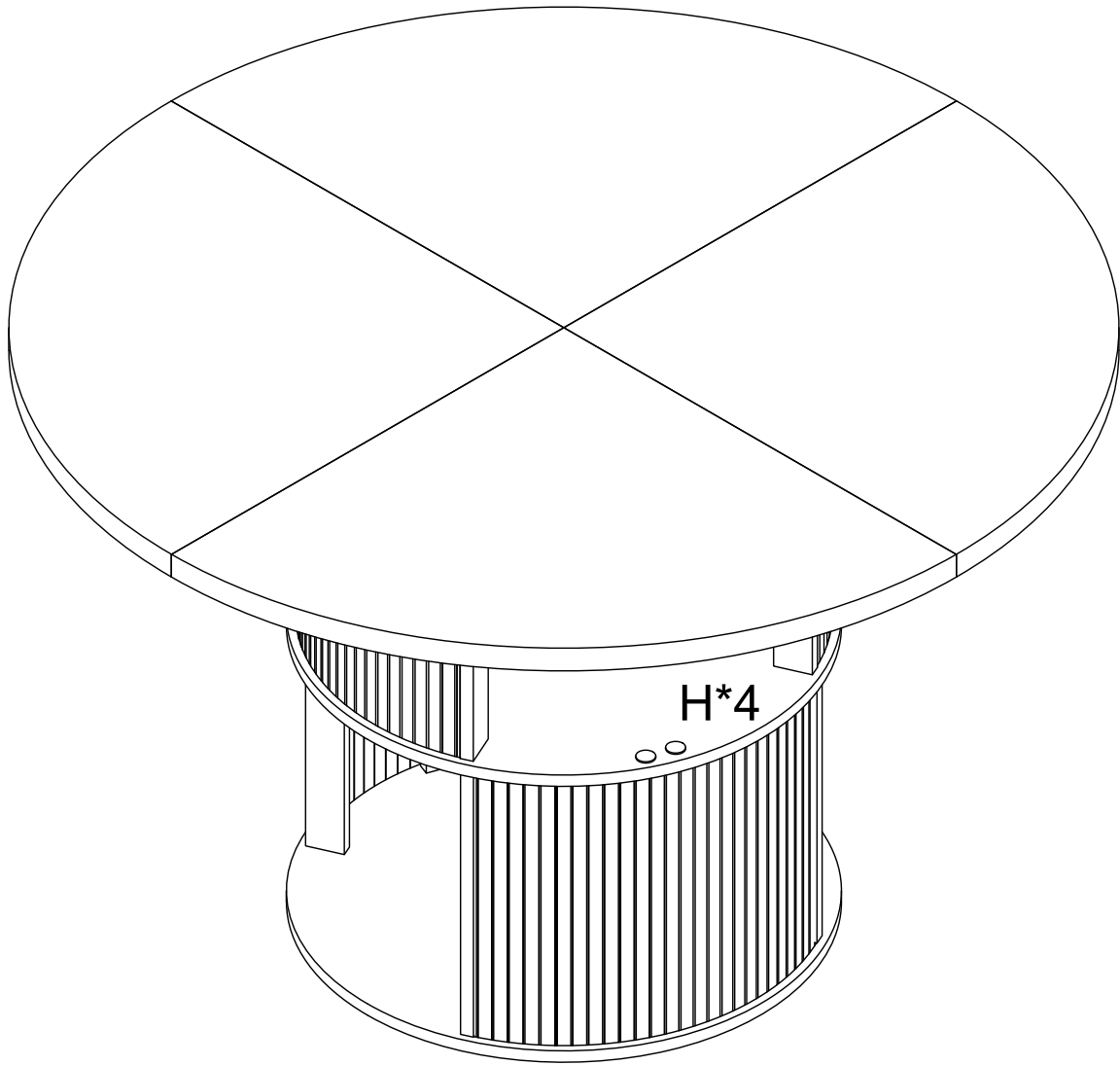
D	x12	E	x1
			
M7*50mm		M4	


10



G	x6
	

11



H	x4
	
Ø20mm	