





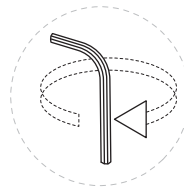
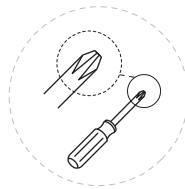
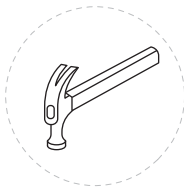
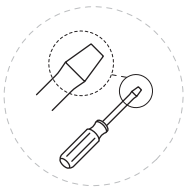
USER'S MANUAL

4 PCS CONVERSATION SET WITH CUSHION HW68969 -12 -22

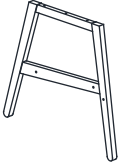


Before You Start

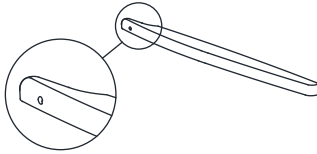
-  Read each step carefully before starting. It is very important to ensure each step followed in correct order, otherwise assembly difficulties may occur.
-  Most of board parts are labeled or stamped on the raw edges. Have a check to make sure all parts are included.
-  Work in a spacious area, preferably on a carpet close to where the unit will be used.
-  Keep the handtools close at hand. Do not use power tools to assemble your furniture. They may scratch or damage the parts.



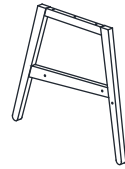
Part List



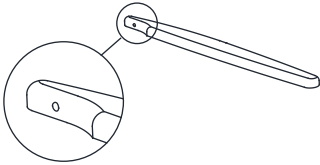
1 x3 pcs
Right Leg



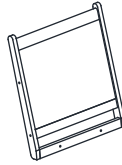
2 x3 pcs
Right Armrest



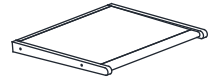
3 x 3 pcs
Left Leg



4 x3 pcs
Left Armrest



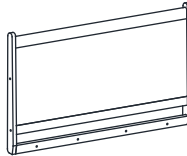
5 x2 pcs
Single Seater Backrest



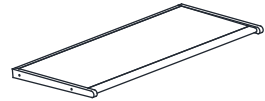
6 x2 pcs
Single Seater Seat



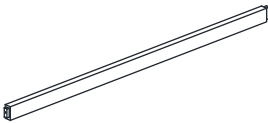
7 x2 pcs
Single Seater Supporter



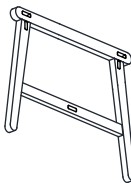
8 x1 pc
Double Seater Backrest



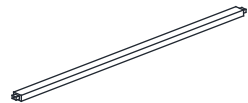
9 x1 pc
Double Seater Seat



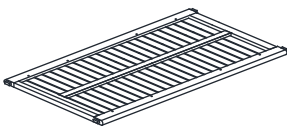
10 x1 pc
Double Seater Supporter (longest)



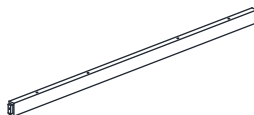
11 x2 pcs
Table Leg



12 x1 pc
Table Stretcher



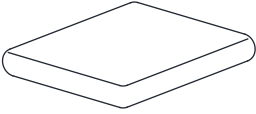
13 x1 pc
Table Top



14 x2 pcs
Table Supporter



15 x4 pcs
Backrest Pillow



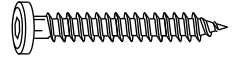
16 x 4 pcs
Seat Cushion



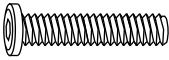
M5 x60mm Screw
A x8pcs



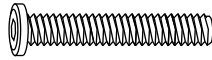
M6 x45mm Screw
B x12pcs



M6 x60mm Screw
C x12pcs



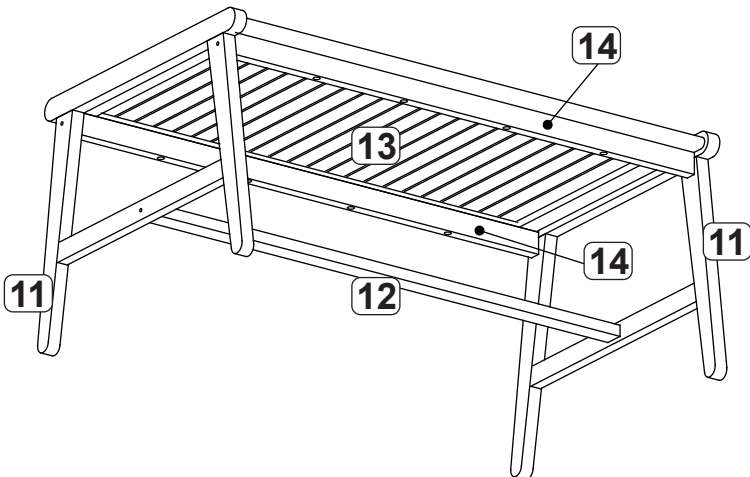
M6x40mm Bolt
D x20pcs

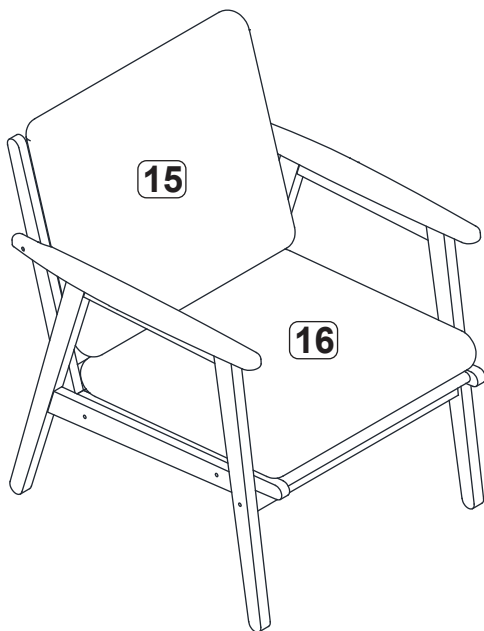
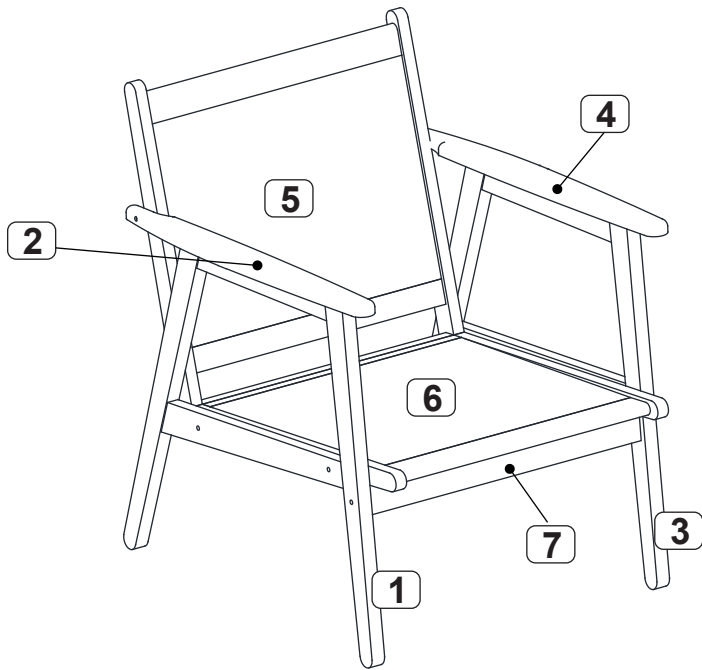


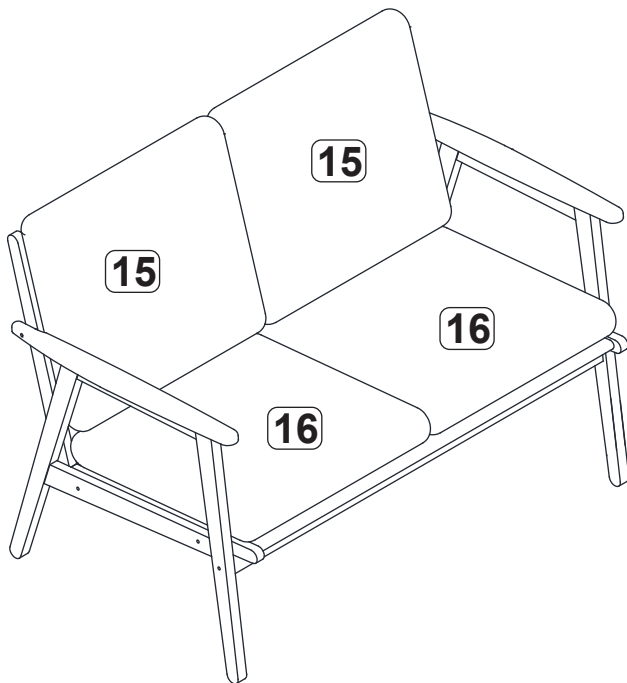
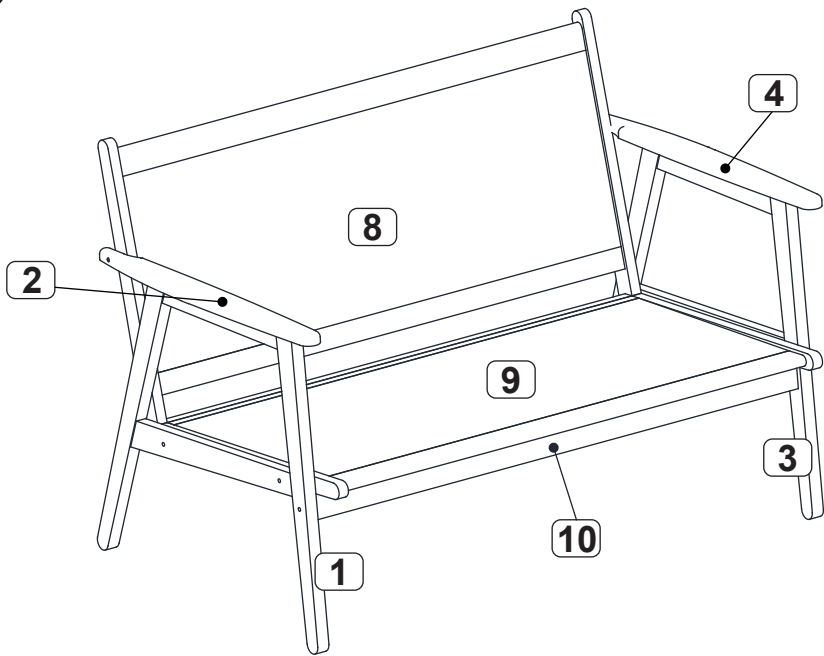
M6x55mm Bolt
E x6pcs

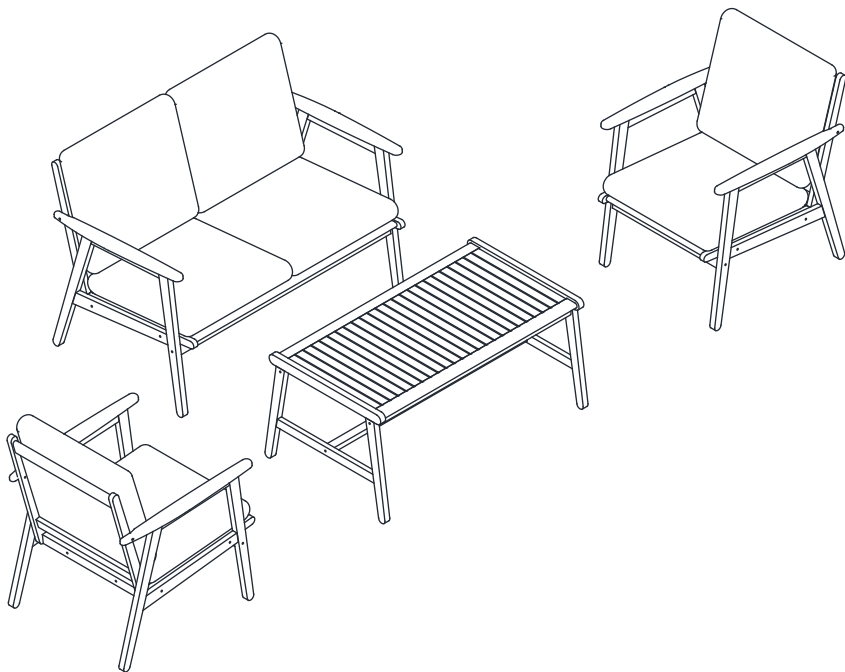


Allen Key
E x2pcs

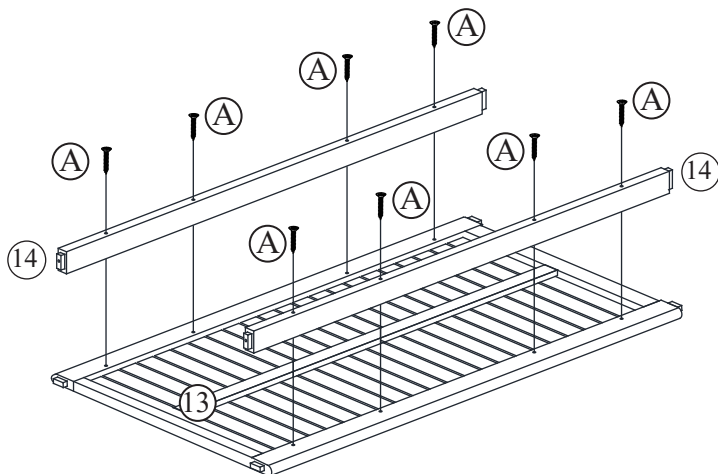
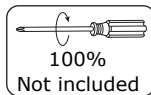




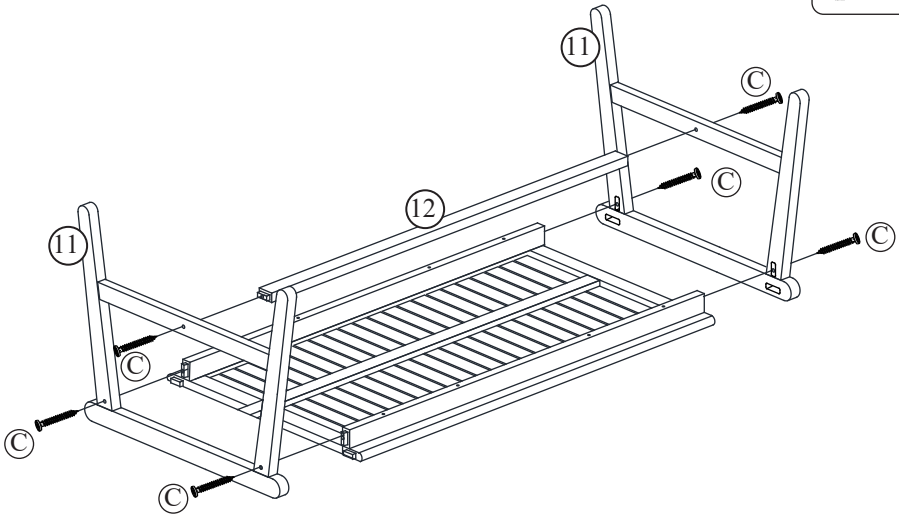
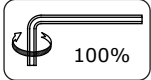




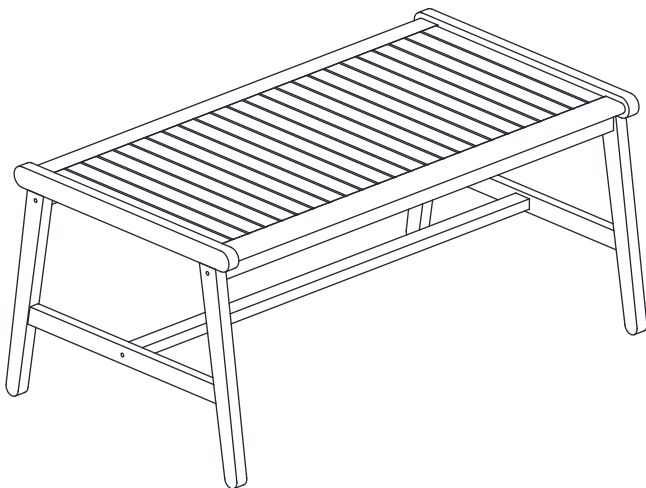
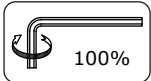
STEP 1:



STEP 2 :

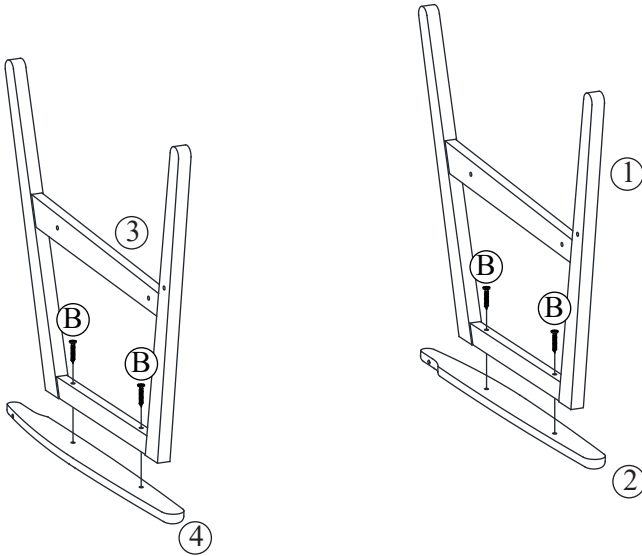
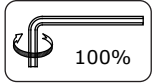


STEP 3:

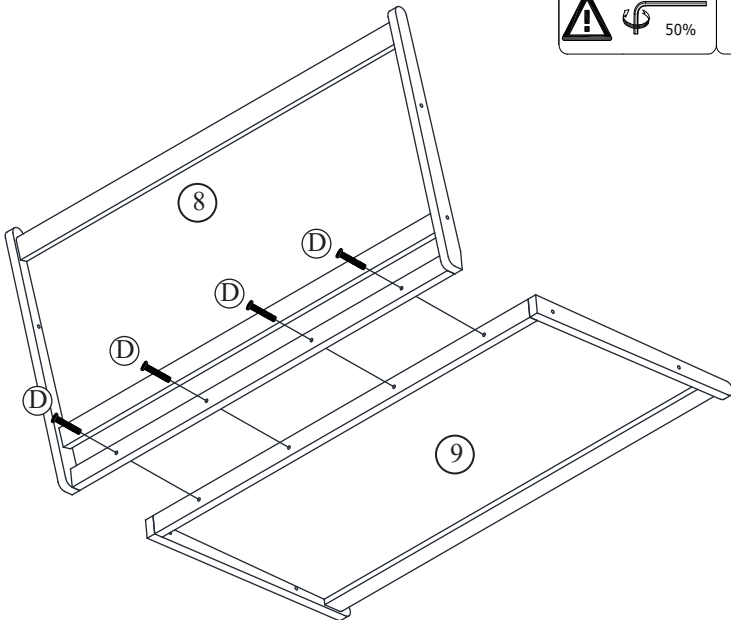
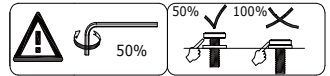


Table

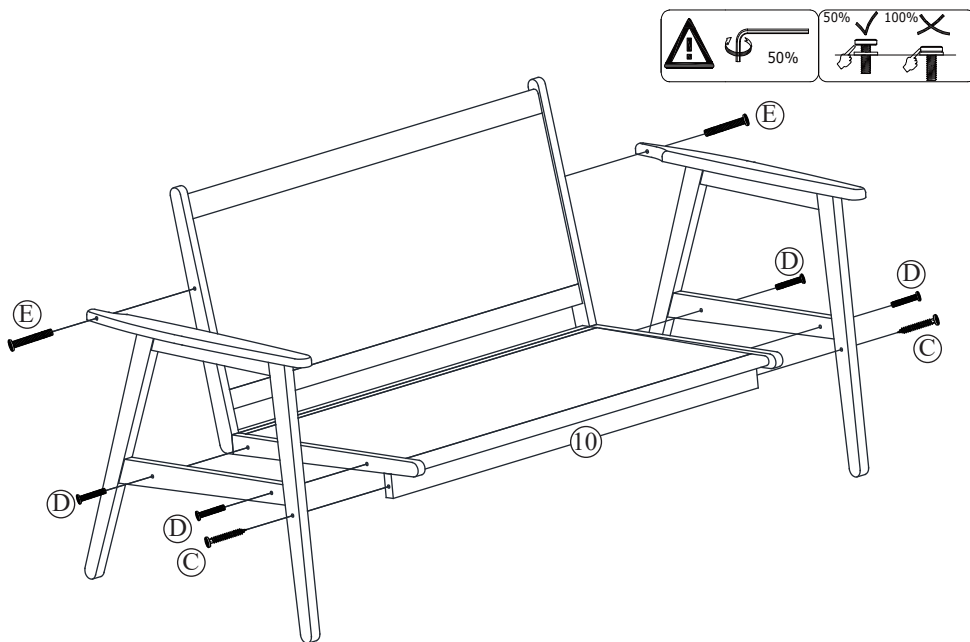
STEP 4: X3



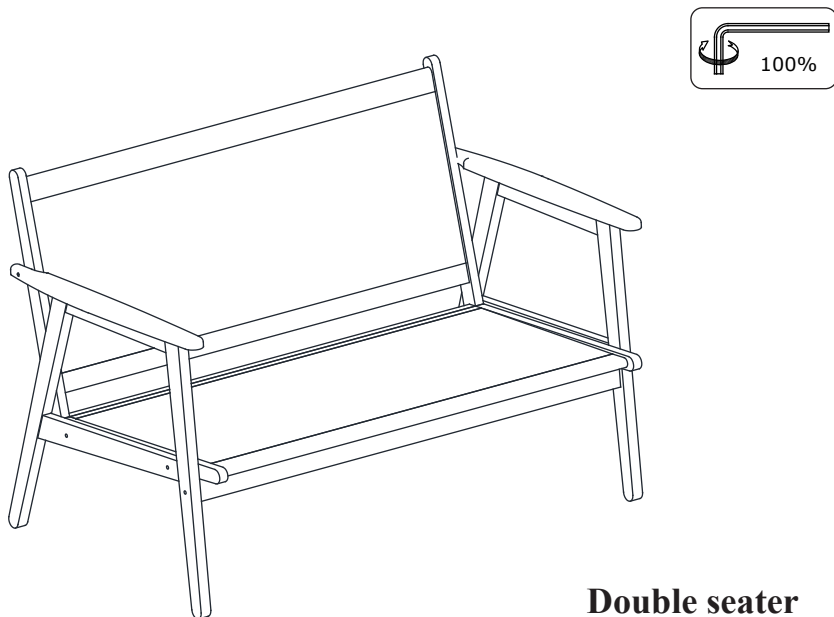
STEP 5:



STEP 6 :

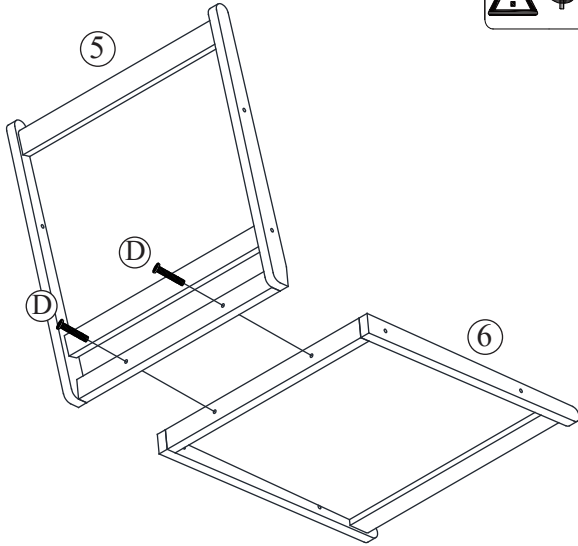
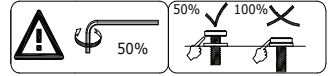


STEP 7:

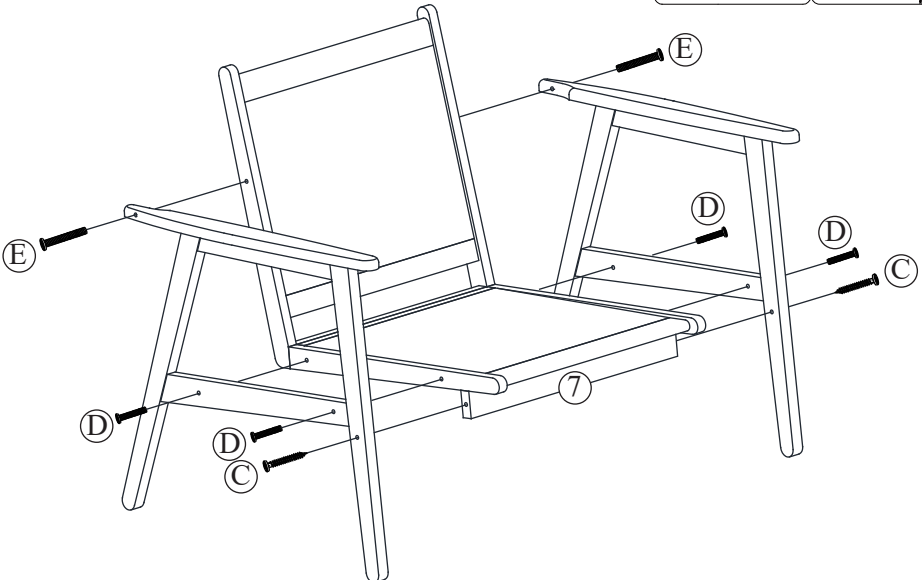
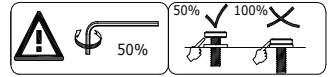


Double seater

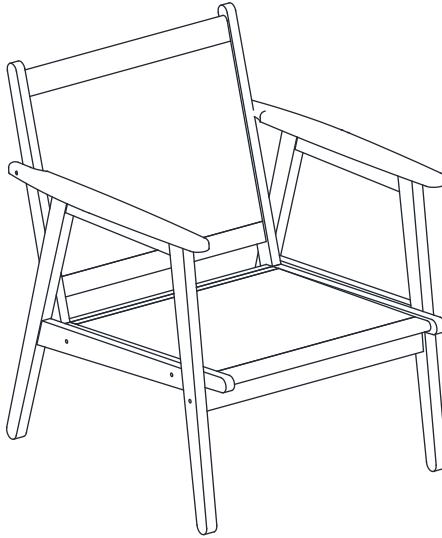
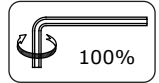
STEP 8: X2



STEP 9: X2

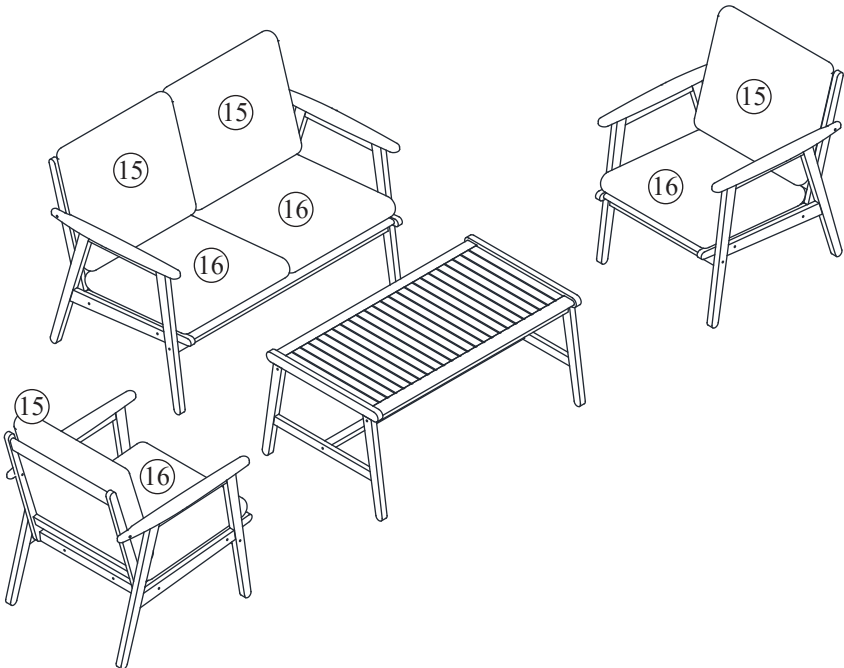


STEP 10 : X2



Single seater

STEP 11: Finished



Care and Maintenance

Use a soft, clean cloth that will not scratch the surface when dusting.

Use of furniture polish is not necessary.

Should you choose to use polish, test first in an inconspicuous area.

Using solvents of any kind on your furniture may damage the finish.

Never use water to clean your furniture as it may cause damage to the finish.

Liquid spills should be removed immediately. Using a soft clean cloth, blot the spill gently. Avoid rubbing.

Check bolts/screws periodically and tighten them if necessary.

Further advice about wood furniture care

Please protect your outdoor furniture with a cover when not in use since long-term sunlight exposure will result in the damage on the surface.

In addition to sunlight damage, wood and metal frame suffers when exposed to extremes in temperature and humidity.

Proper care and cleaning at home will extend the life of your purchase.

Following these important and helpful tips will enhance your furniture as it ages.



Please give us a chance to make it right and do better !

Contact our friendly customer service department for help first.
Replacements for missing or damaged parts will be shipped ASAP !

US office: Fontana UK office: Ipswich AU office: Truganina



Contact Us !

Do NOT return this item.

Contact our friendly customer service department for help first.



US: cs.us@costway.com

UK: cs.uk@costway.com

AU: cs.au@costway.com