

# ASSEMBLY INSTRUCTIONS

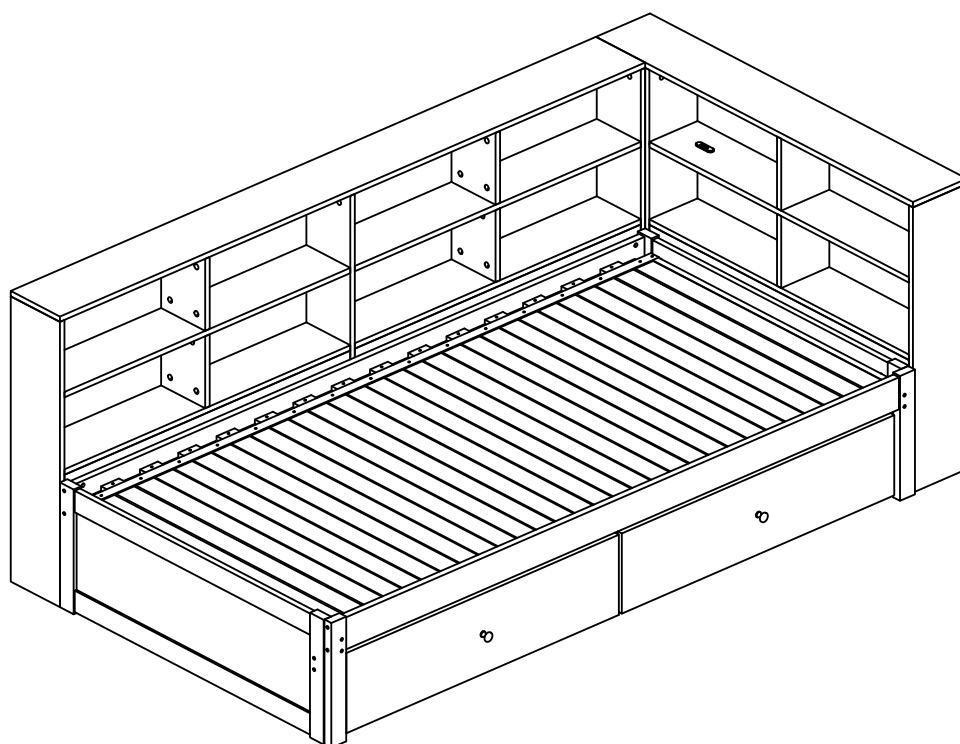
## Bed 90 × 190

ITEM NUMBER:

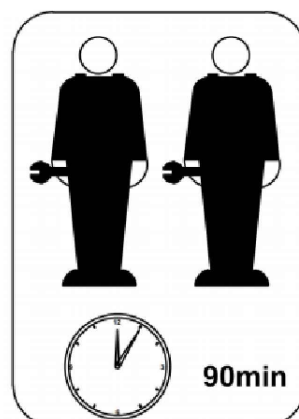
N652P424927

N652P424928

N652P424929



This set comes in 3 boxes. If you do not receive a full 3 boxes, please contact our customer service.



# INSTRUCTIONS

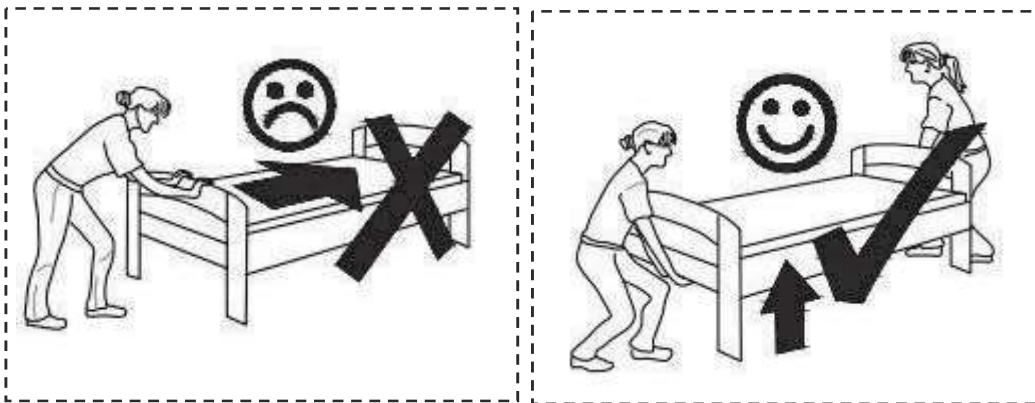
## IMPORTANT-READ CAREFULLY-RETAIN FOR FUTURE REFERENCE

- a) **WARNING** -Children can become trapped between the bed and the wall, the adjoining pieces of furniture (e.g. cupboards) and the like. To avoid risk of serious injury the distance between the safety barrier and the adjoining structure shall not exceed 90 mm or shall be more than 230 mm.
- b) **WARNING**-Do not use the bed if any structural part is broken or missing; Replacement parts are between requested from the manufacturer or the store.
- c) **WARNING**-Do not climb or wiggle on any non-designated structures.
- d) it is imperative to always follow the installation instructions and manufacturer's use.
- e) The recommended size of the mattress to be used with the bed is 190cmx90cm.
- f) It is necessary to ventilate the room in order to maintain a low level moisture and prevent mold growth in the bed and its periphery.
- g) Joining devices should always be tightened properly and regularly verified. Tighten if necessary.

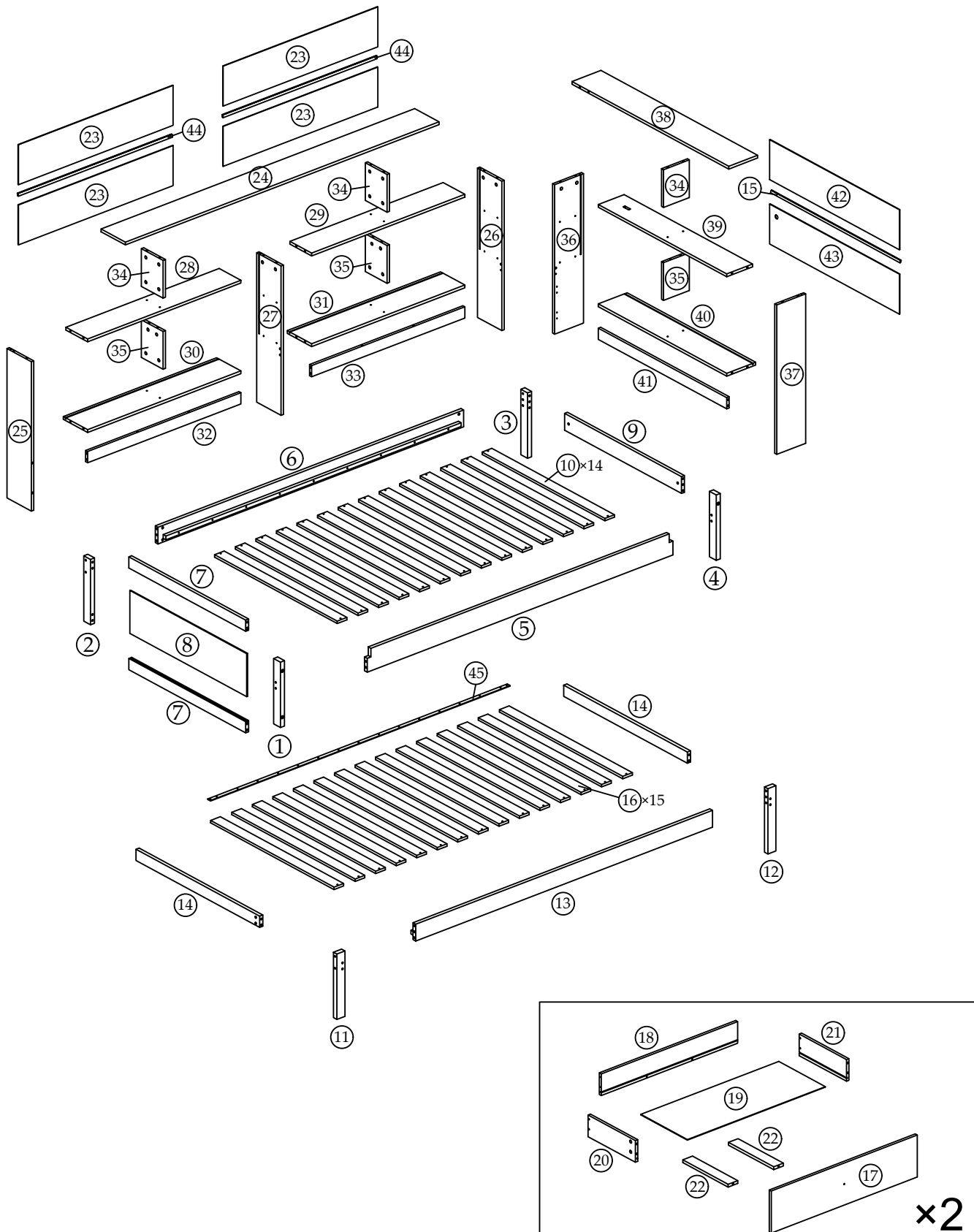
English

IMPORTANT ! KEEP FOR FUTURE REFERENCE : READ CAREFULLY

- To be assembled by an adult. Assembly must be checked by an adult before use
- **WARNING !** Keep all screws, small parts and plastic bags out of the reach of children
- Properly identify all parts before assembling
- Never use your item if any of its parts are broken or missing
- Should any problems arise, please contact our After Sales Service
- Manufacturer's instructions shall be followed at all times
- Care: Clean with a soft, dry cloth. In case of larger stains, carefully rub with a slightly damp, non-abrasive sponge
- Avoid the risk of fire by not placing furniture near sources of ignition or hot items
- Do not jump on the bed

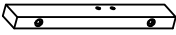

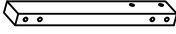
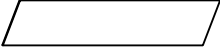
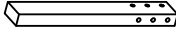

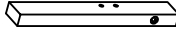
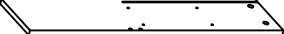
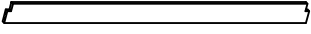

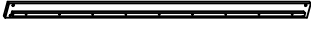
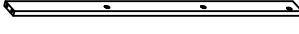
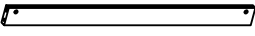
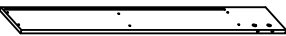
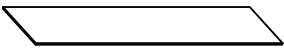
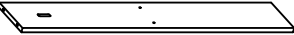

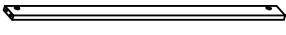
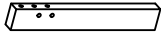
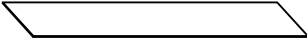
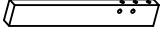
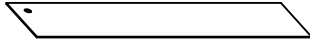


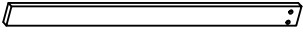



# ASSEMBLY INSTRUCTIONS




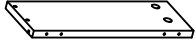
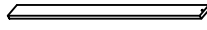
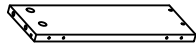
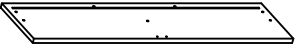
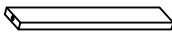

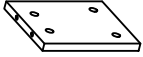

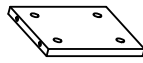
# ASSEMBLY INSTRUCTIONS

## N652P424927

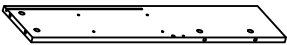
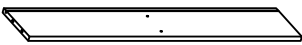

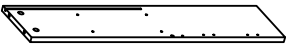
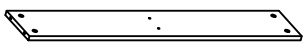
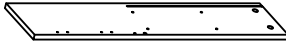
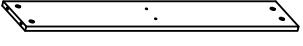
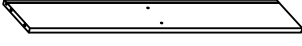
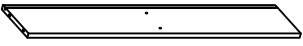
1		1PC	15		1PC
2		1PC	23		4PCS
3		1PC	24		1PC
4		1PC	27		1PC
5		1PC	32		1PC
6		1PC	33		1PC
7		2PCS	38		1PC
8		1PC	39		1PC
9		1PC	41		1PC
11		1PC	42		1PC
12		1PC	43		1PC
13		1PC	44		2PCS
14		2PCS	45		1PC

# ASSEMBLY INSTRUCTIONS

## N652P424928








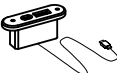


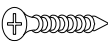

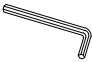








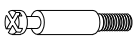
10		14PCS	20		2PCS
16		15PCS	21		2PCS
17		2PCS	22		4PCS
18		2PCS	34		3PCS
19		2PCS	35		3PCS
Hardware box		1PC			

## N652P424929

25		1PC	31		1PC
26		1PC	36		1PC
28		1PC	37		1PC
29		1PC	40		1PC
30		1PC			

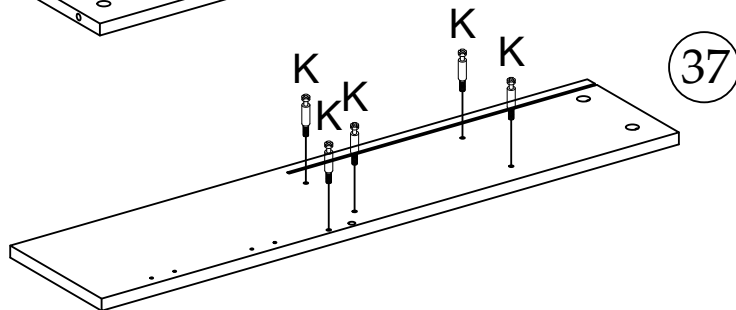
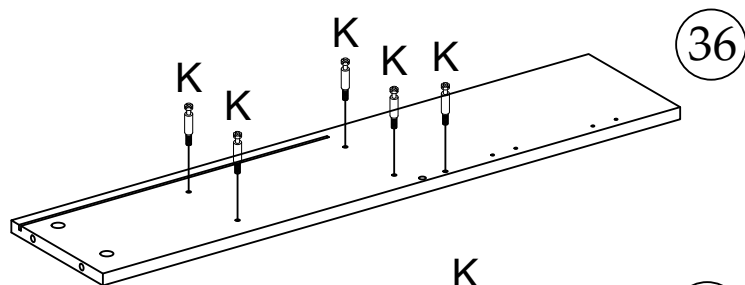
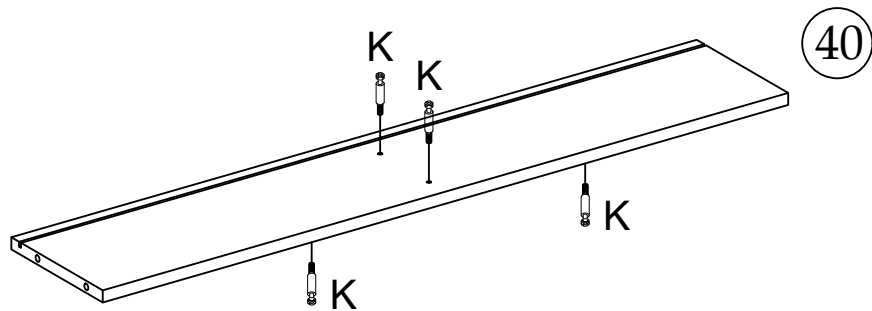
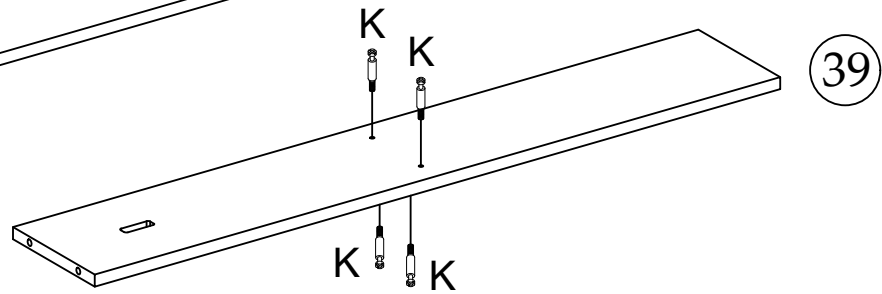
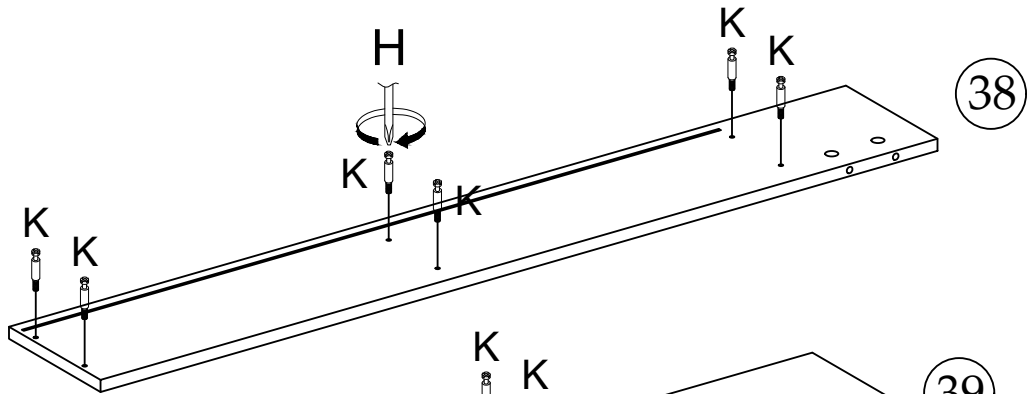
# ASSEMBLY INSTRUCTIONS

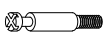

## N652P424928 — Hardware box

A	6x90		10PCS	L			88PCS
B	6x70		12PCS	M	M4		1PC
C			22PCS	N			6PCS
D	8x30		16PCS	O			1PC
E	5x40		8PCS	P			34PCS
F	4x25		47PCS	Q	4x20		2PCS
G	M3		1PC	R			2PCS
H			1PC	S			2PCS
I			8PCS	T	8x50		2PCS
J	3x14		69PCS	U		 	2PCS
K	6x40		88PCS				

# ASSEMBLY INSTRUCTIONS

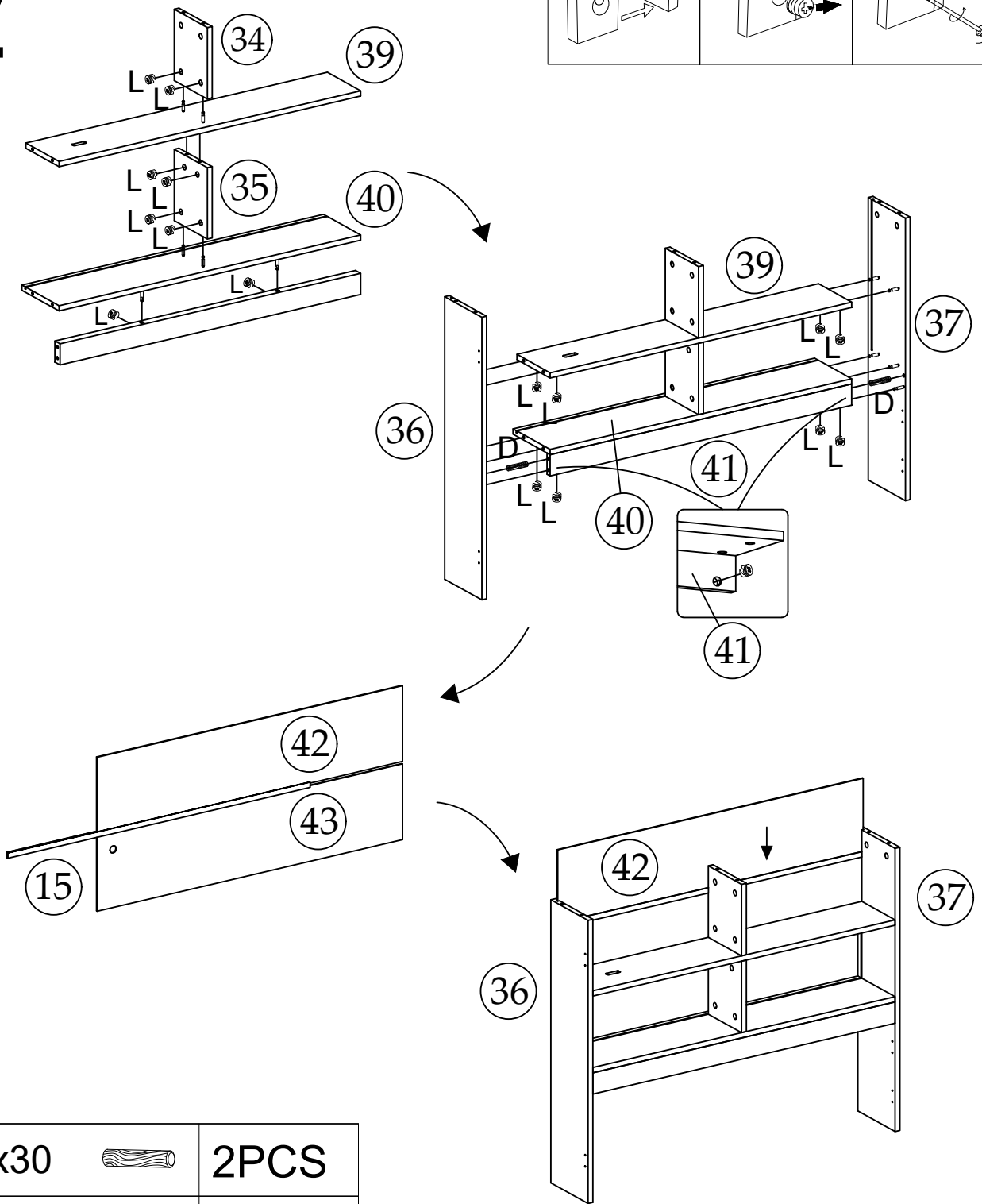
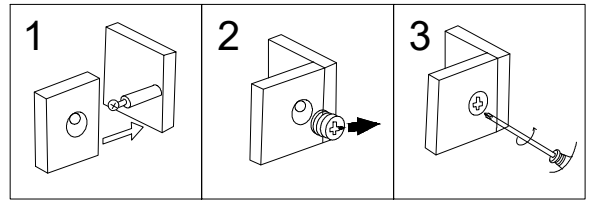
# 1






K	6x40		24PCS
H			1PC

# ASSEMBLY INSTRUCTIONS

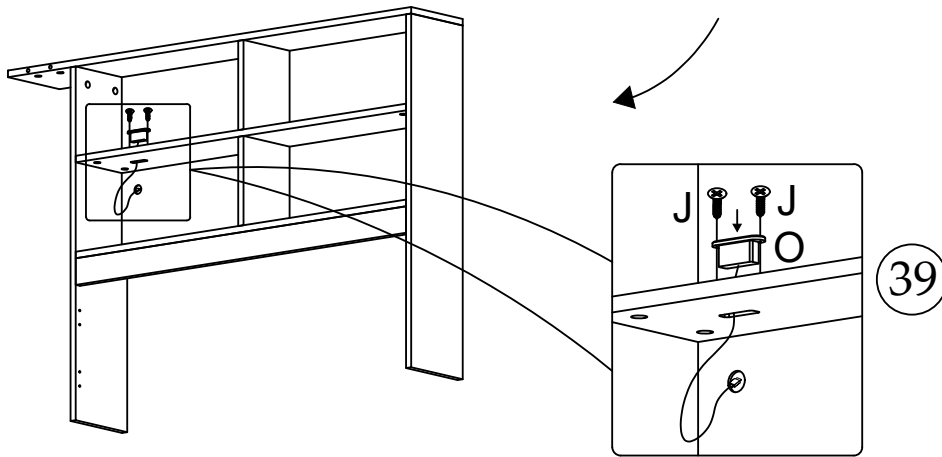
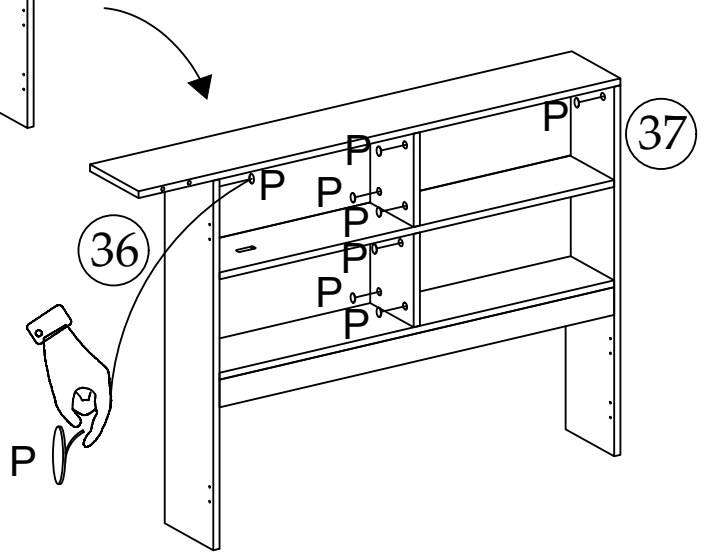
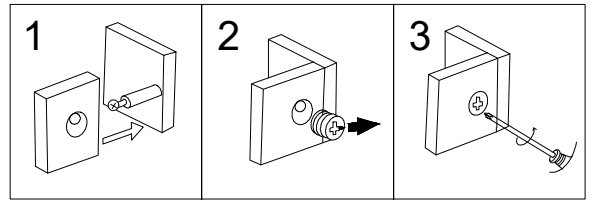
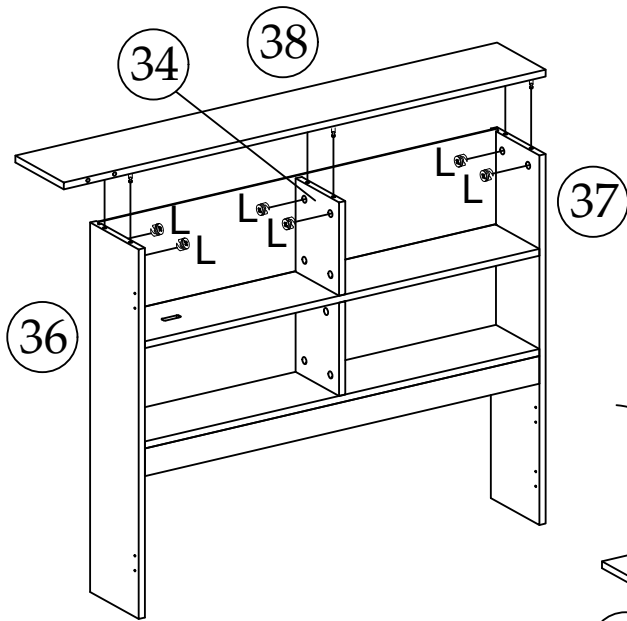
## 2








D	8x30		2PCS
L			18PCS
H			1PC

# ASSEMBLY INSTRUCTIONS

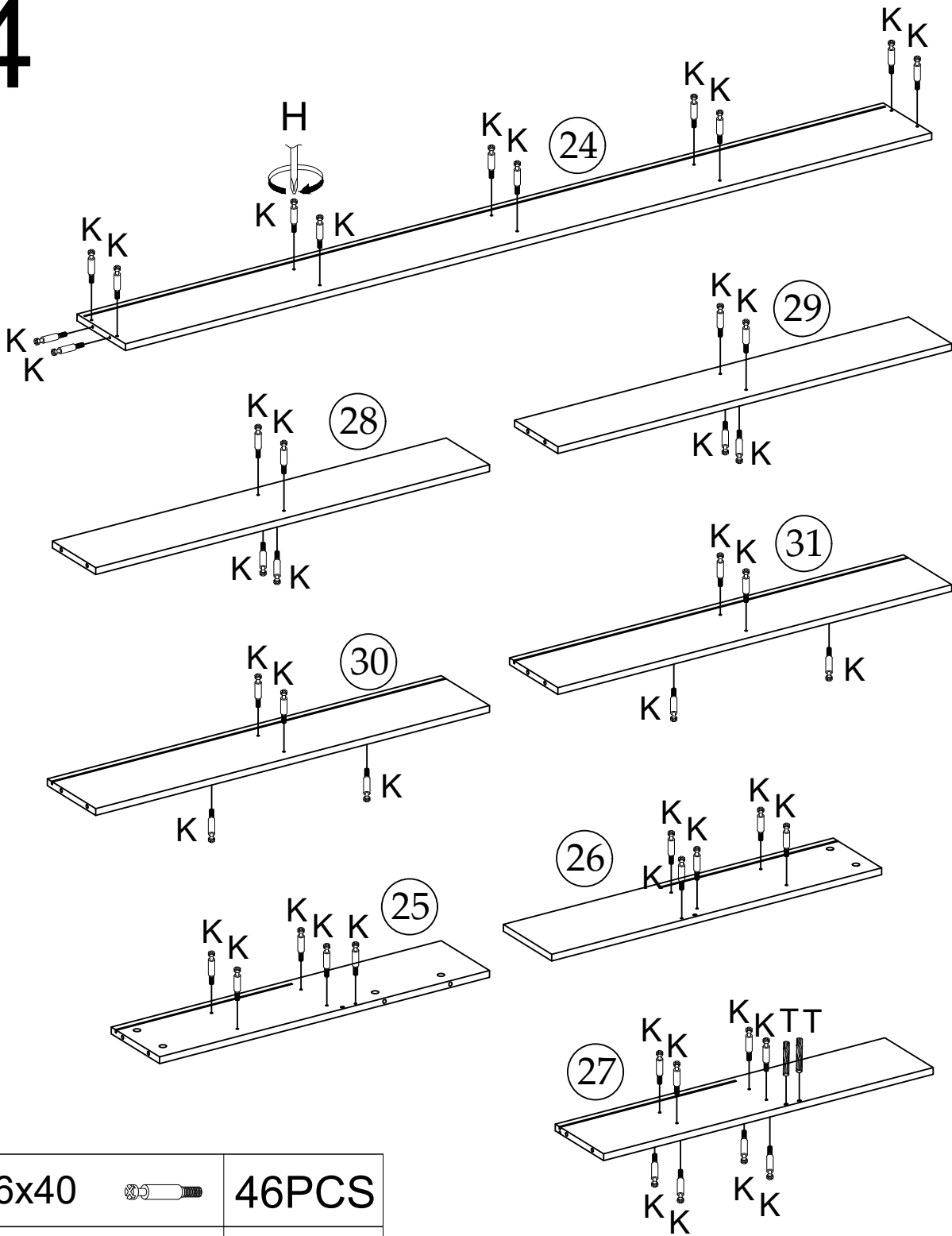
## 3

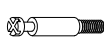




L		6PCS				
P		12PCS	O		1PC	
H		1PC	J	3x14		2PCS

# ASSEMBLY INSTRUCTIONS

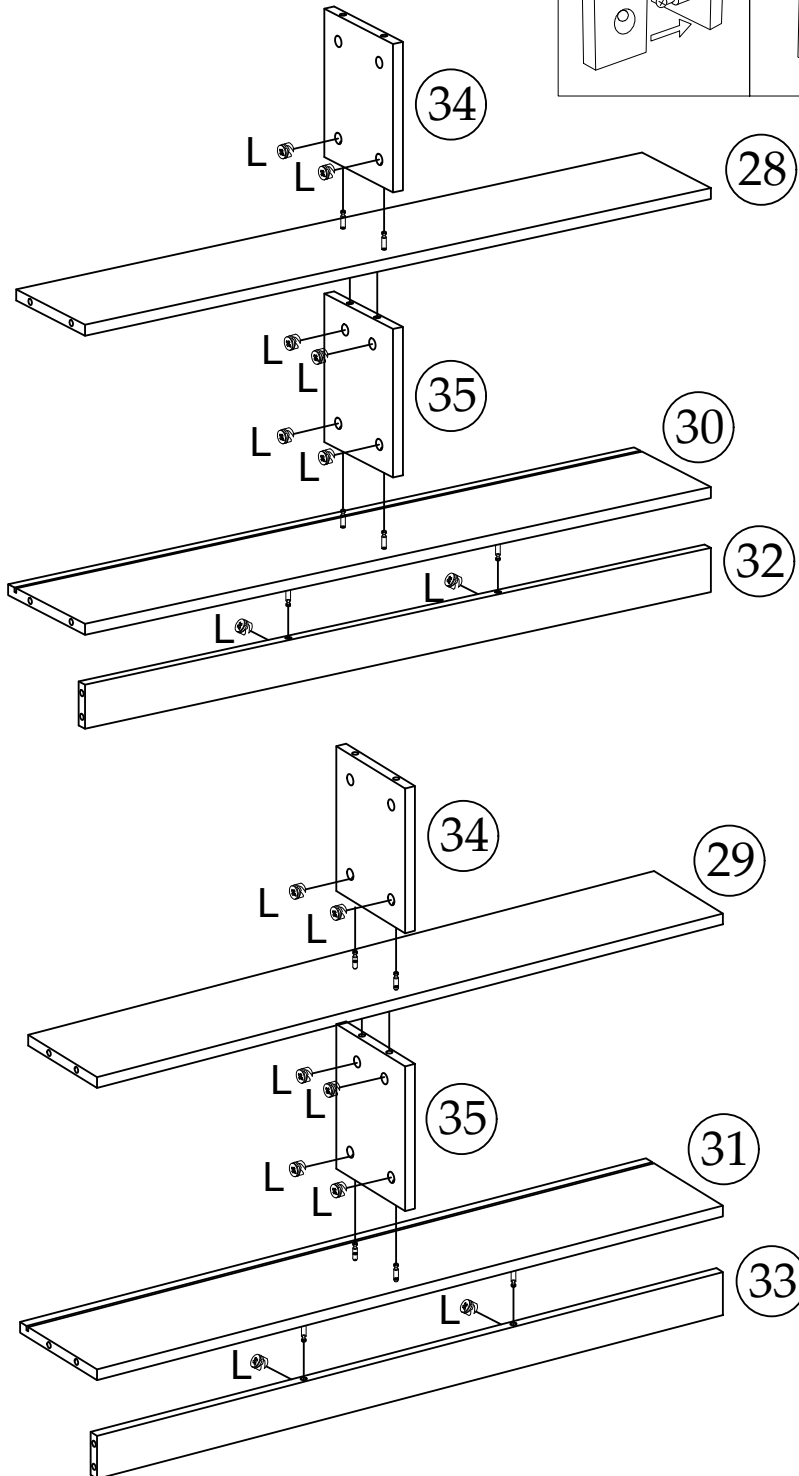
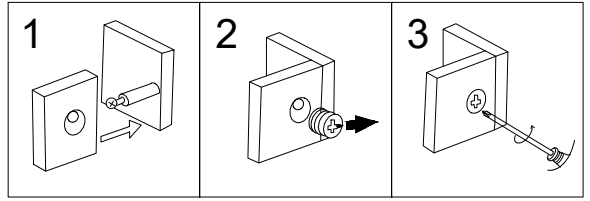
# 4





K	6x40		46PCS
T	8x50		2PCS
H			1PC

# ASSEMBLY INSTRUCTIONS

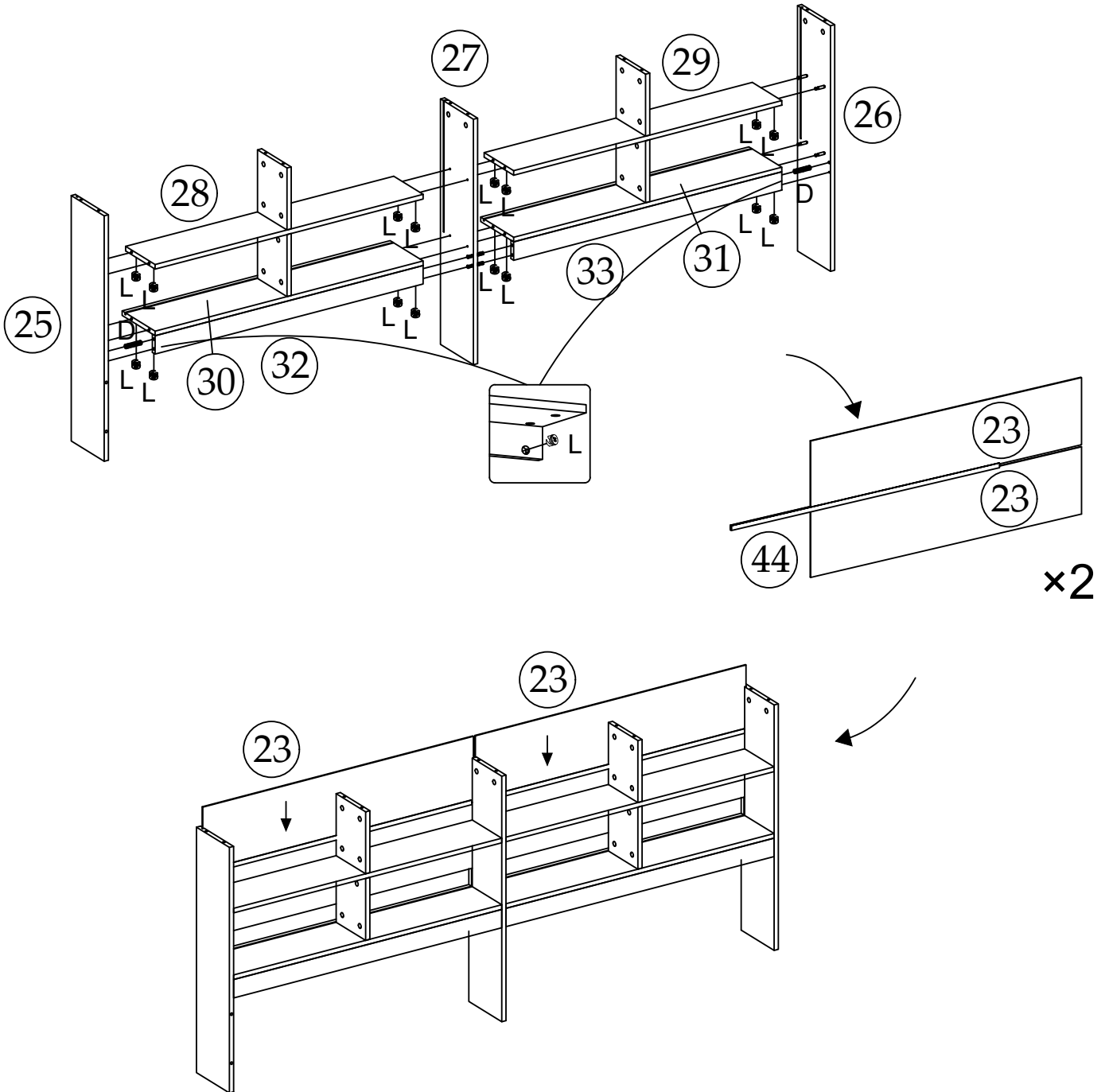
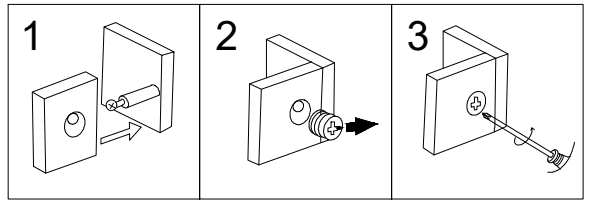
# 5






L		16PCS
H		1PC

# ASSEMBLY INSTRUCTIONS

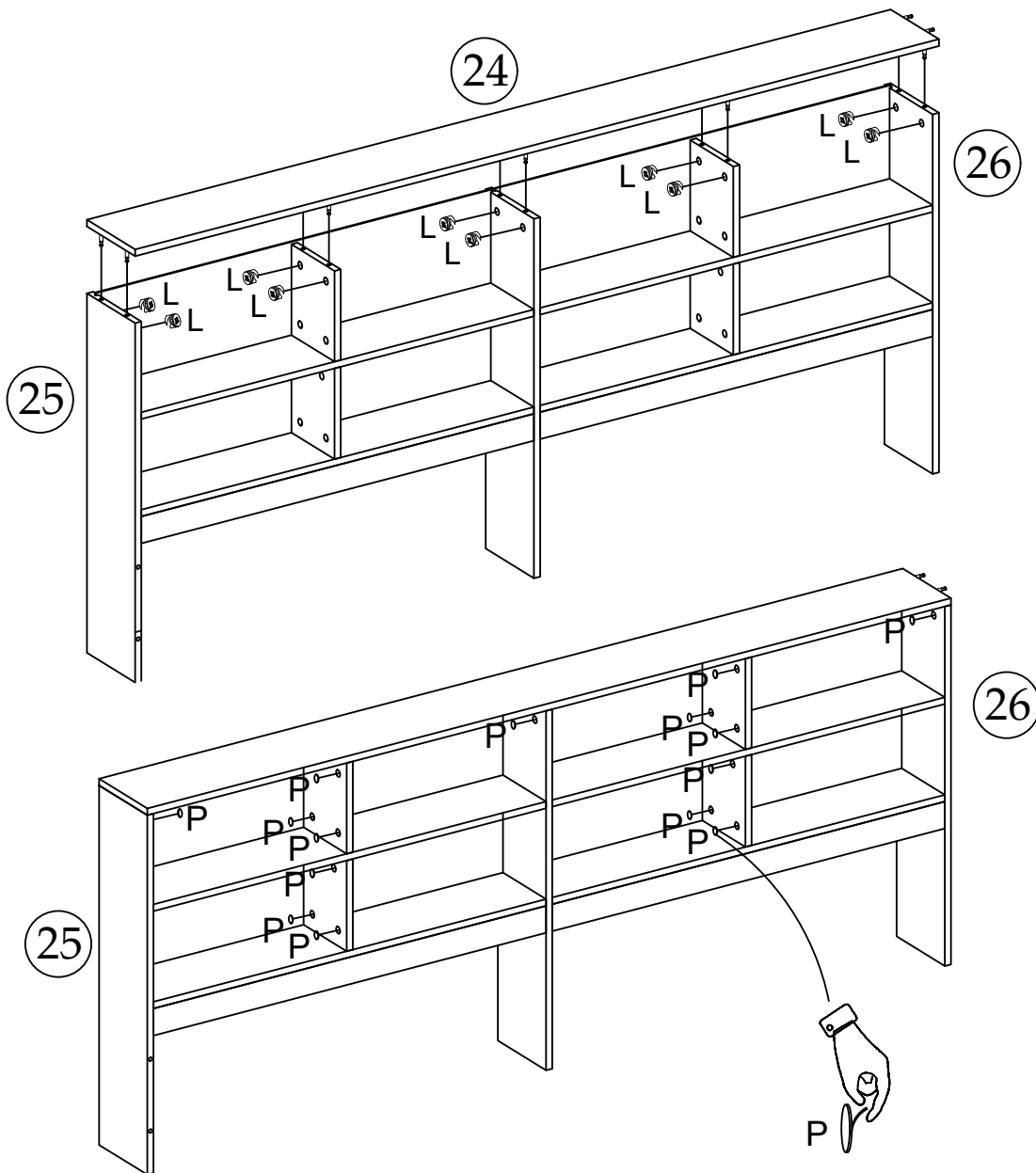
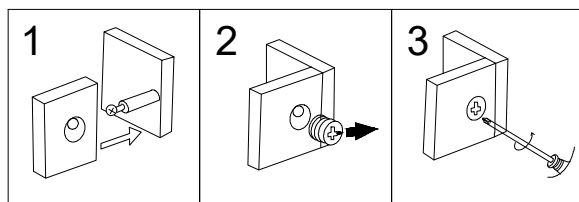
## 6






L		18PCS				
H		1PC	D	8x30		2PCS

# ASSEMBLY INSTRUCTIONS

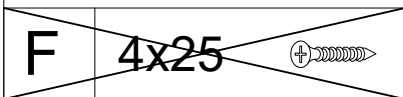
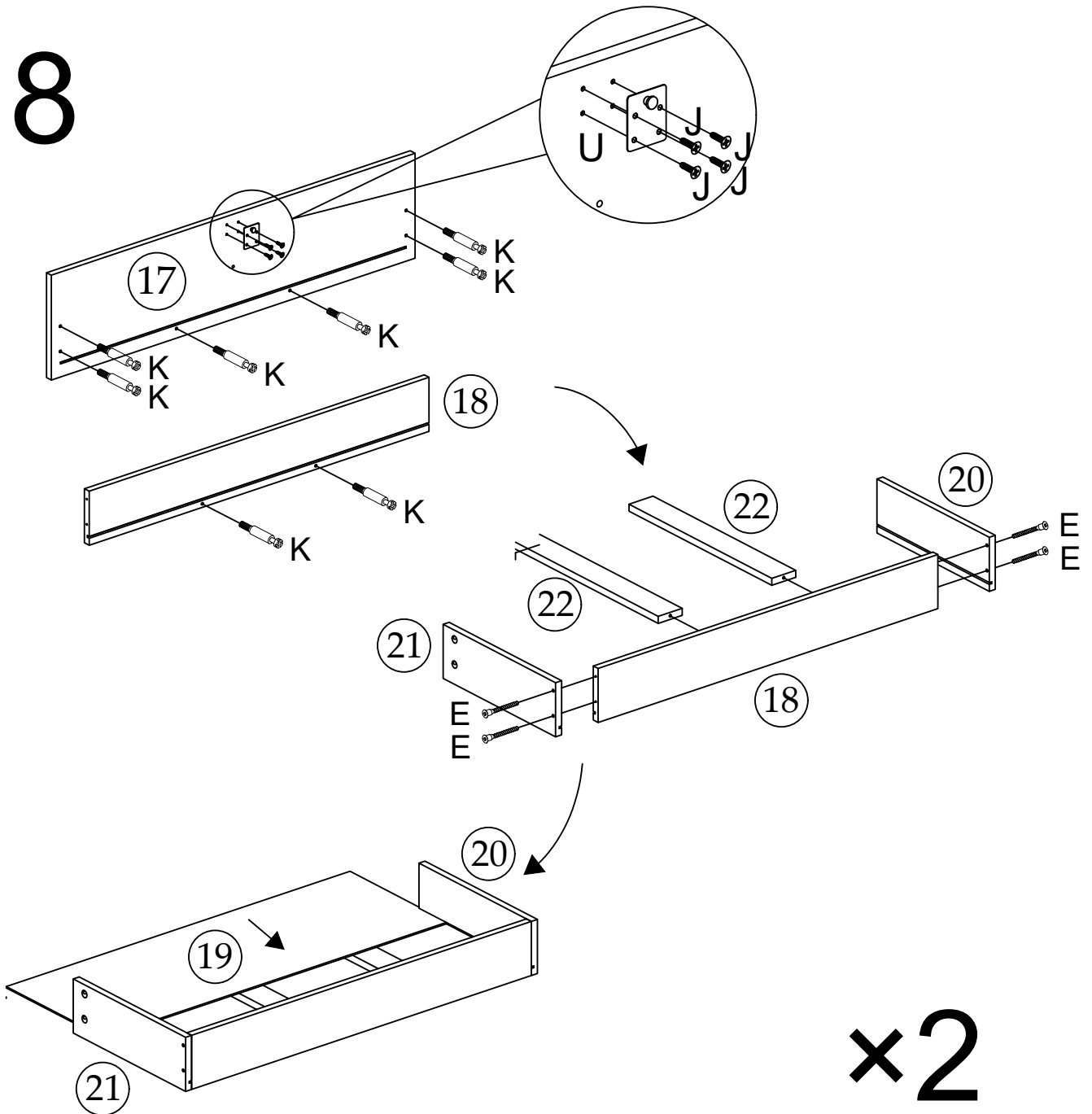
# 7



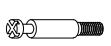
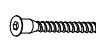
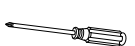



L		10PCS
P		22PCS
H		1PC

# ASSEMBLY INSTRUCTIONS

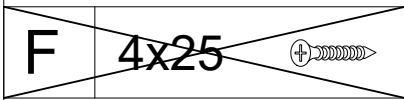
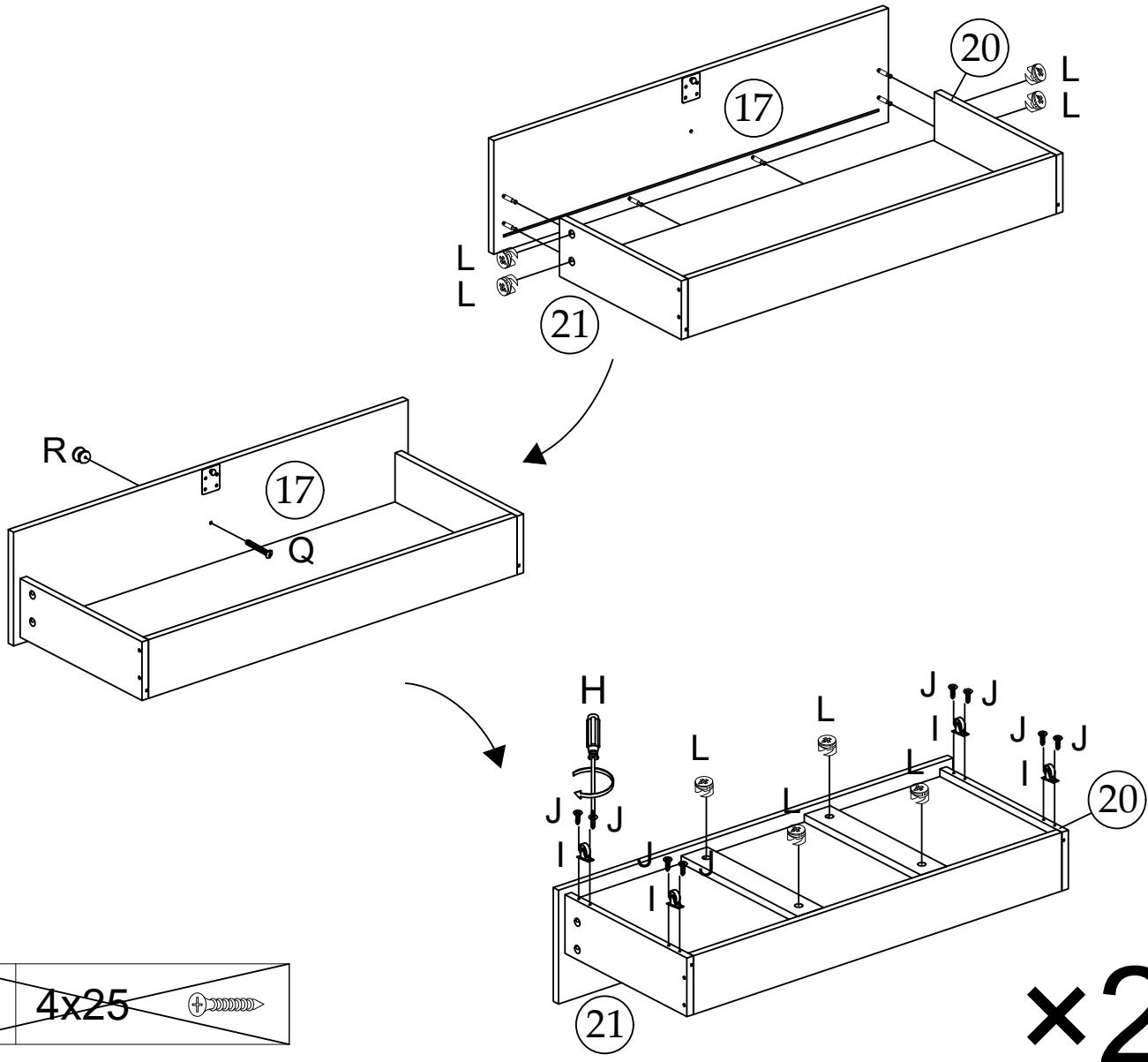
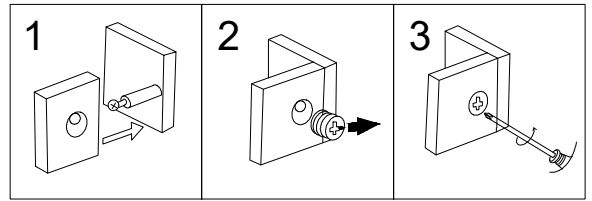
## 8



J	3x14		8PCS	U		2PCS
K	6x40		16PCS	E	5x40 	8PCS
H			1PC	G	M3 	1PC

# ASSEMBLY INSTRUCTIONS

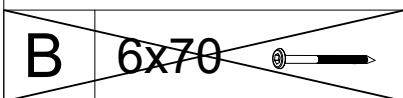
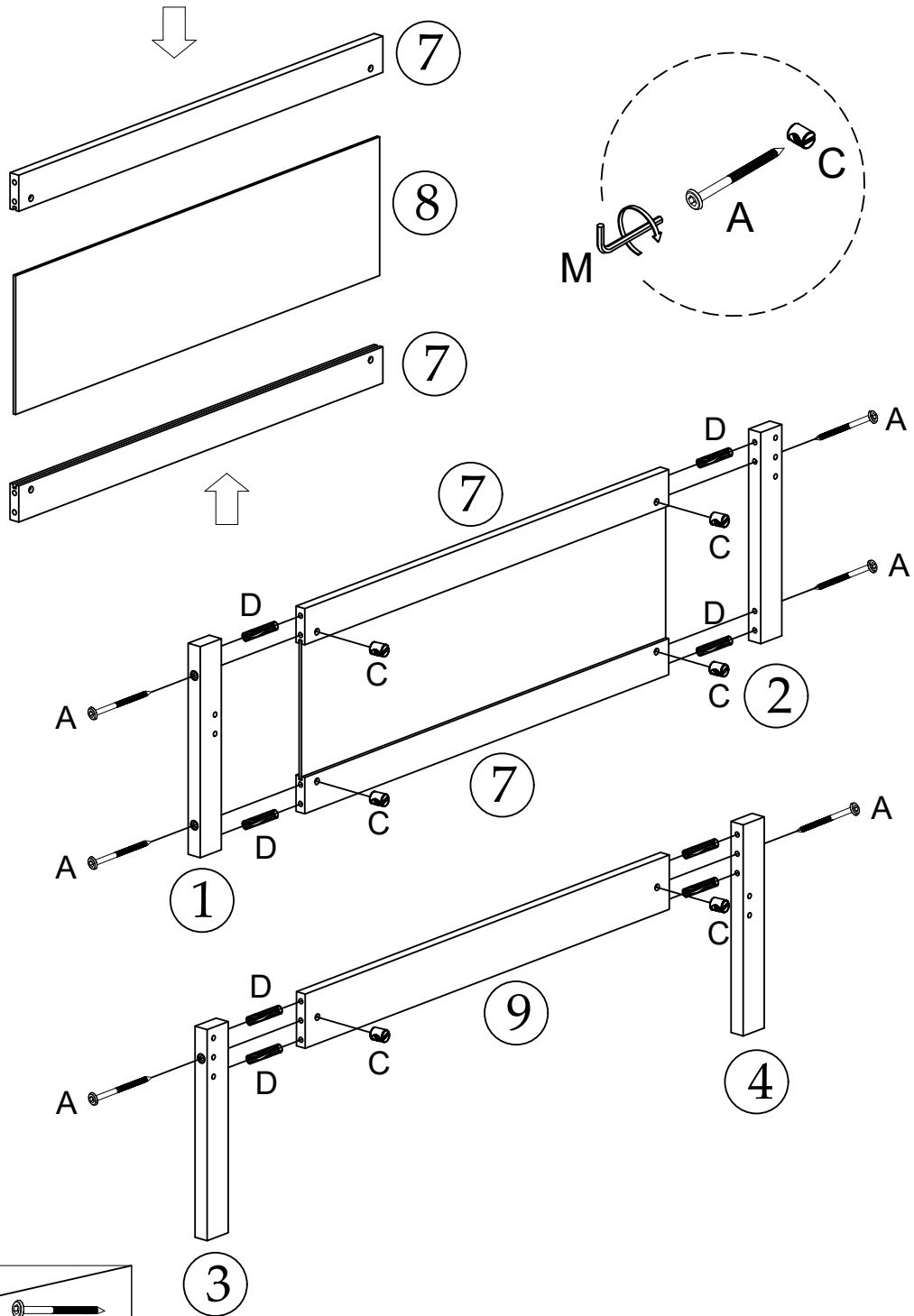
## 9



J	3x14		16PCS				
L			16PCS				
I			8PCS	Q	4x20		2PCS
H			1PC	R			2PCS

# ASSEMBLY INSTRUCTIONS

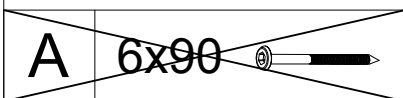
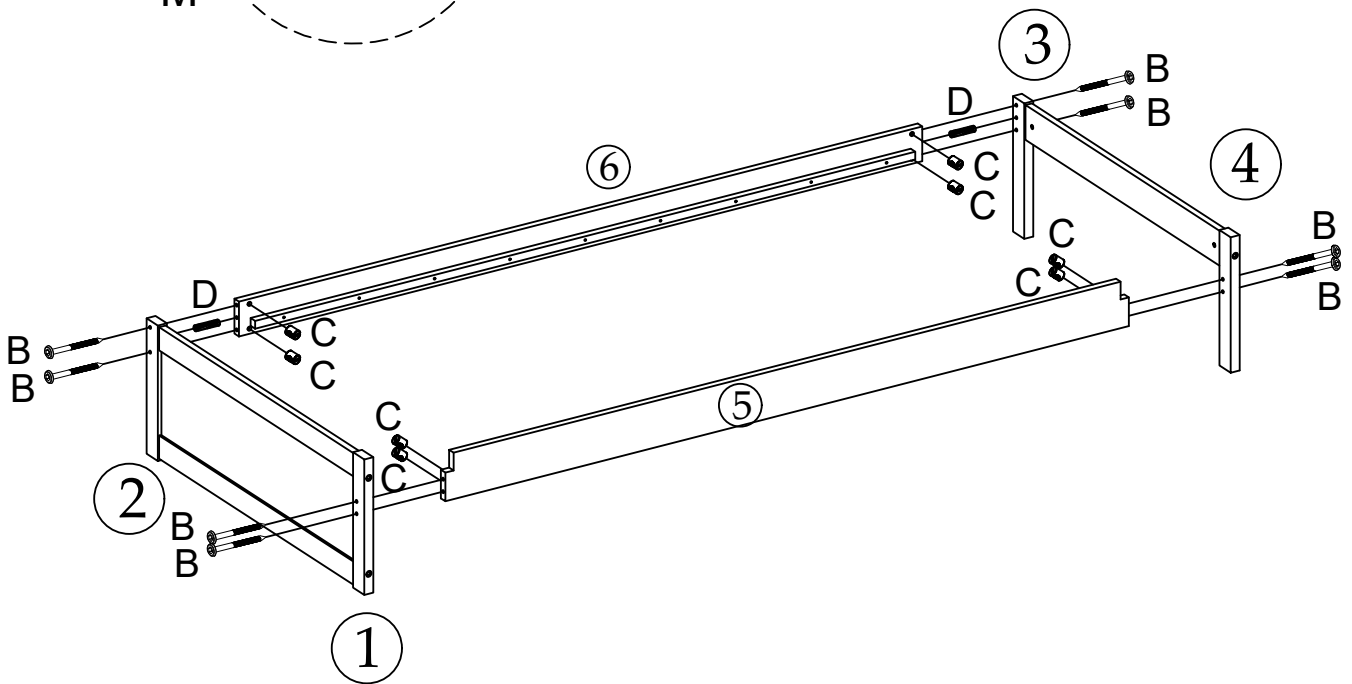
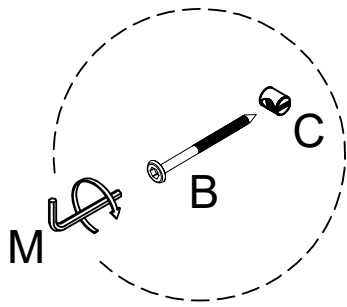
# 10



<b>A</b>	6x90		6PCS	<b>D</b>	8x30		8PCS
<b>C</b>			6PCS	<b>M</b>	M4		1PC

# ASSEMBLY INSTRUCTIONS

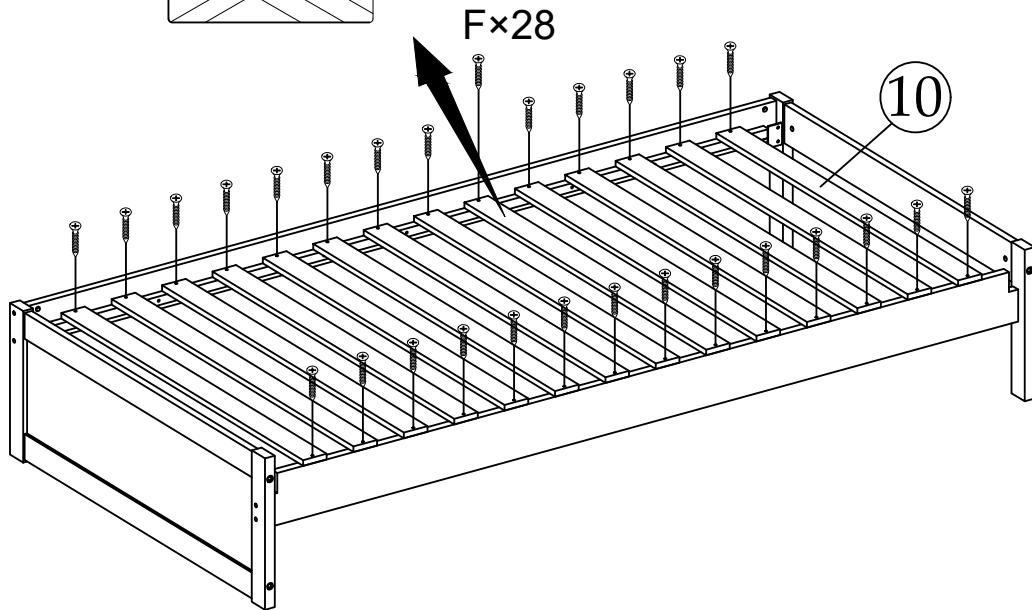
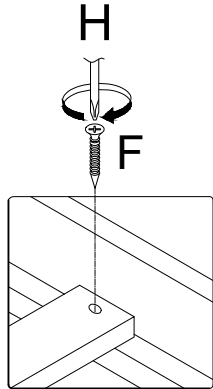
# 11



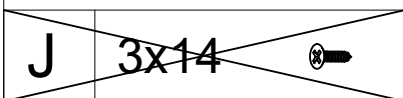
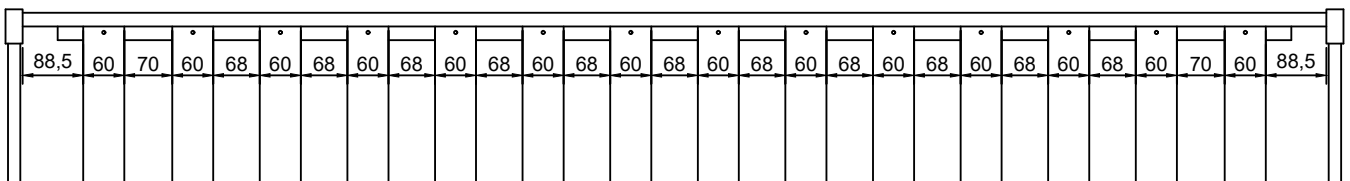
B	6x70		8PCS	D	8x30		2PCS
C			8PCS	M	M4		1PC

# ASSEMBLY INSTRUCTIONS

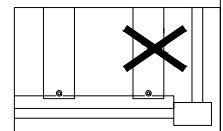
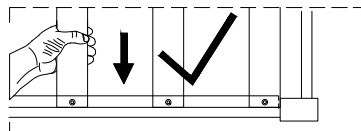
# 12



Install from both ends to the middle

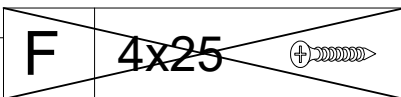
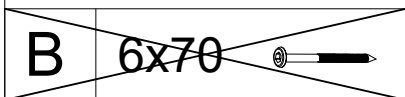
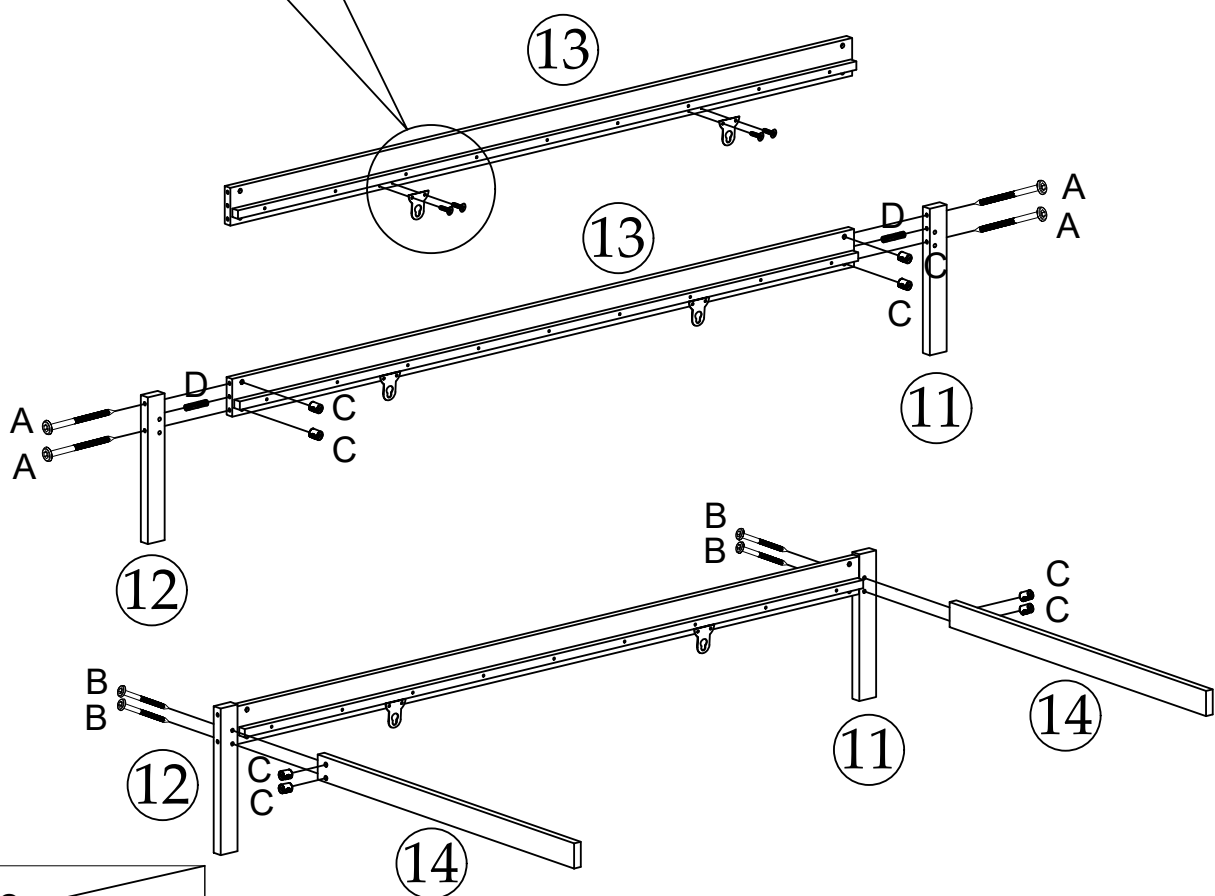
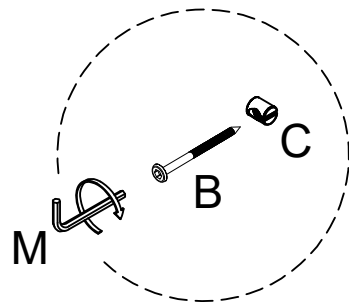
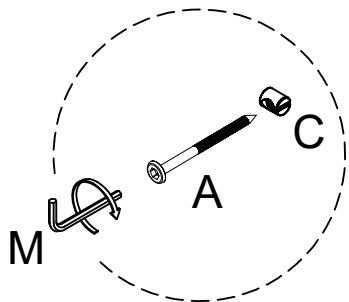
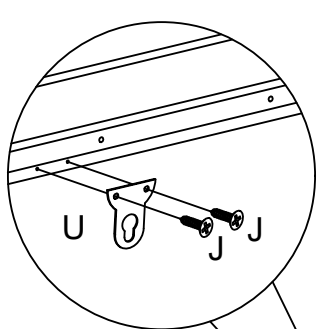


F	4x25		28PCS
H			1PC



# ASSEMBLY INSTRUCTIONS

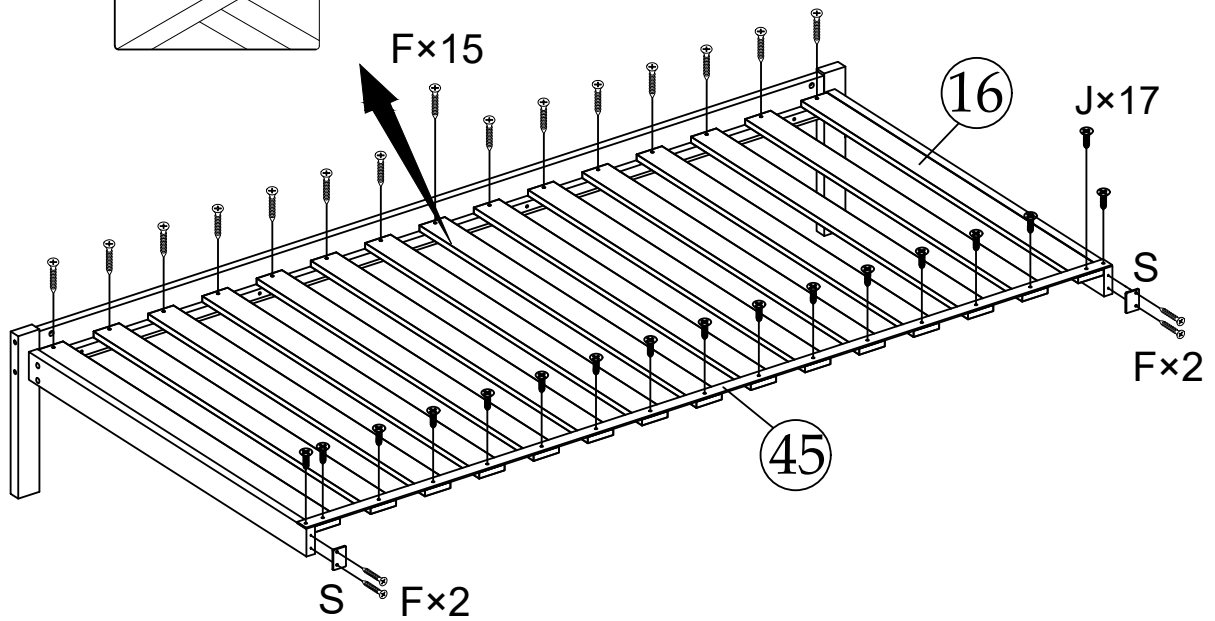
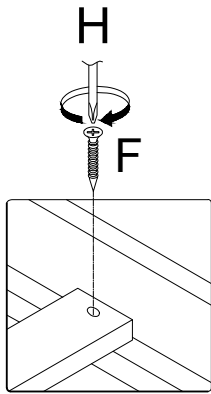
# 13



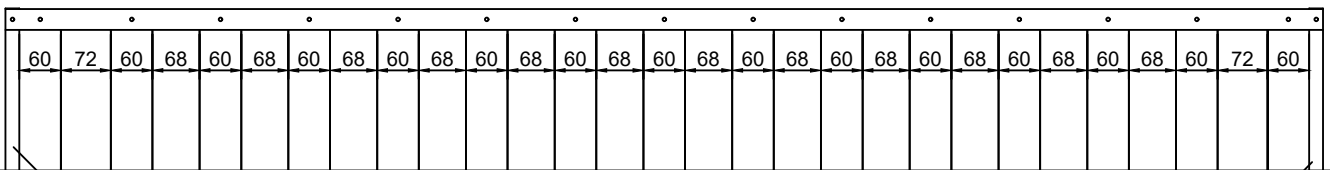
A	6x90		4PCS	F	4x25		
B	6x70		4PCS	J	3x14		4PCS
C			8PCS	U			2PCS
D	8x30		2PCS	M	M4		1PC

# ASSEMBLY INSTRUCTIONS

## 14



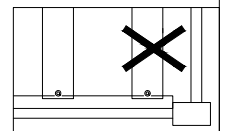
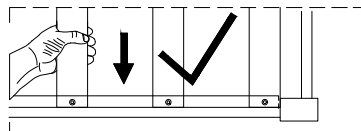
Install from both ends to the middle



14

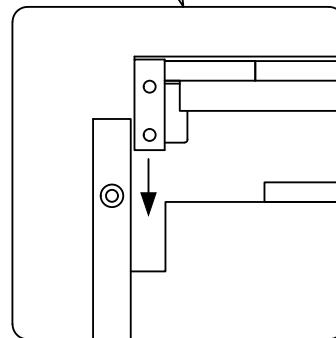
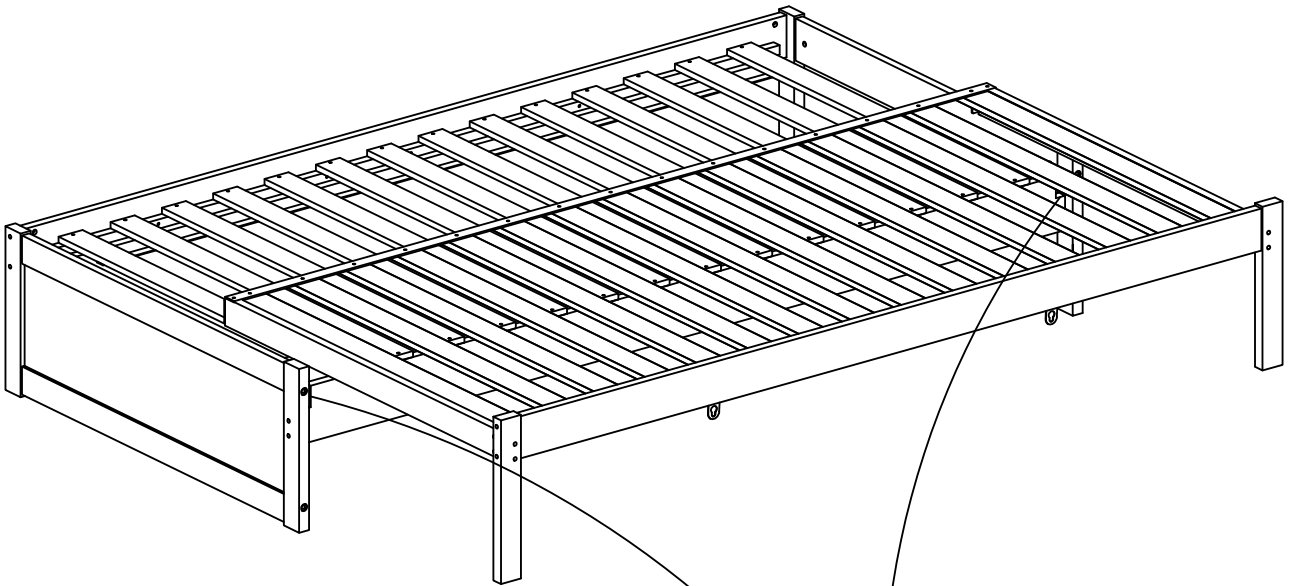
14

F	4x25		19PCS
J	3x14		17PCS
S			2PCS
H			1PC



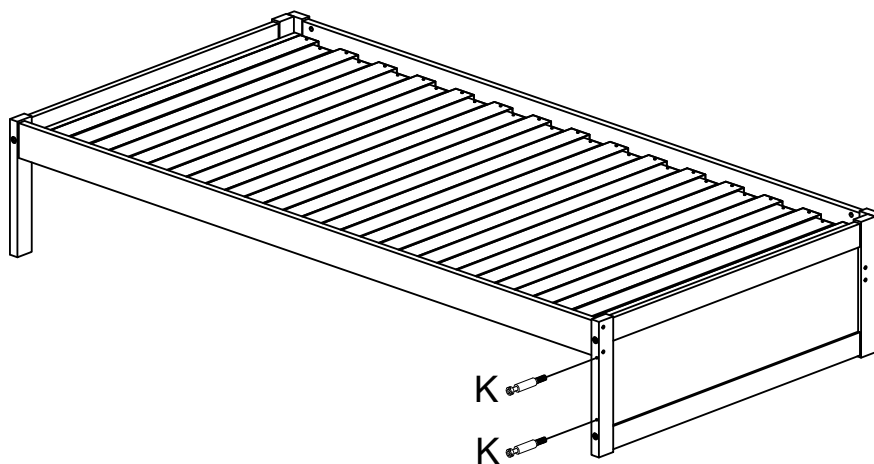
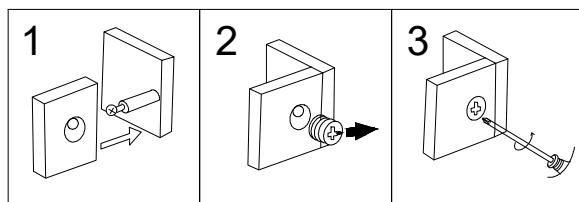
# ASSEMBLY INSTRUCTIONS

# 15

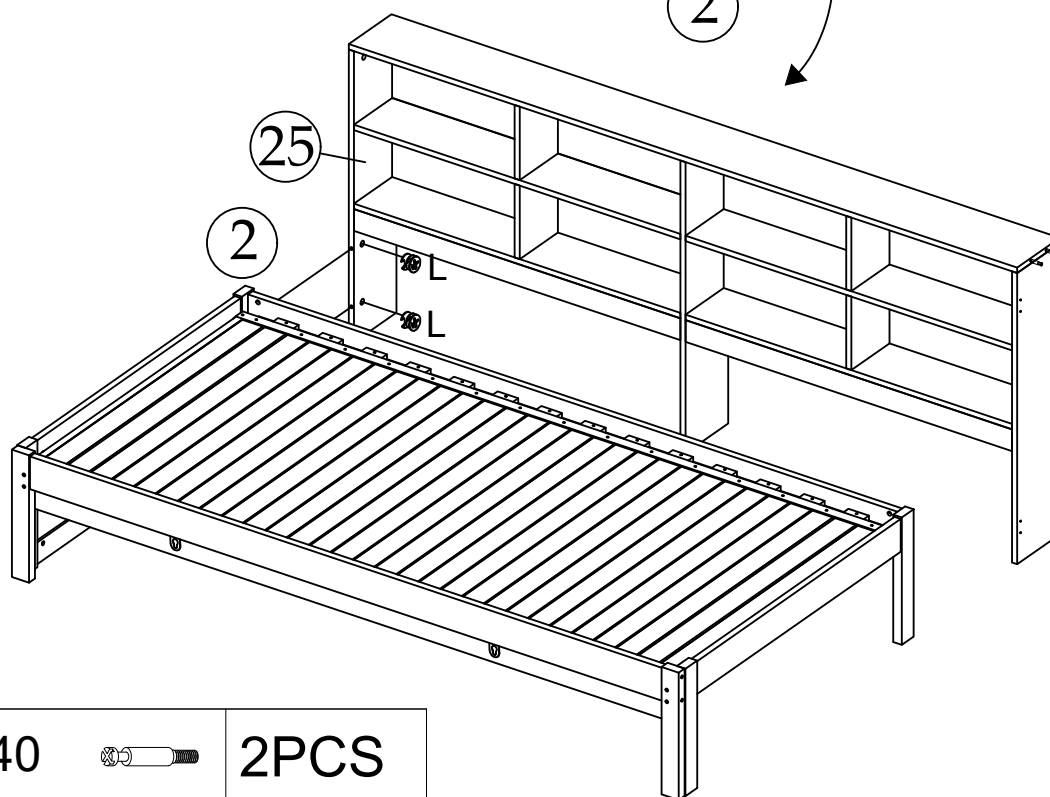


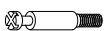


# ASSEMBLY INSTRUCTIONS

# 16



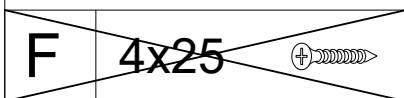
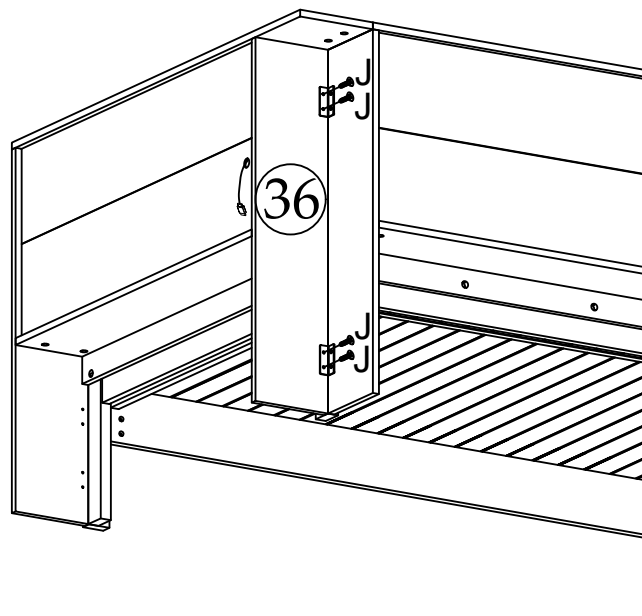
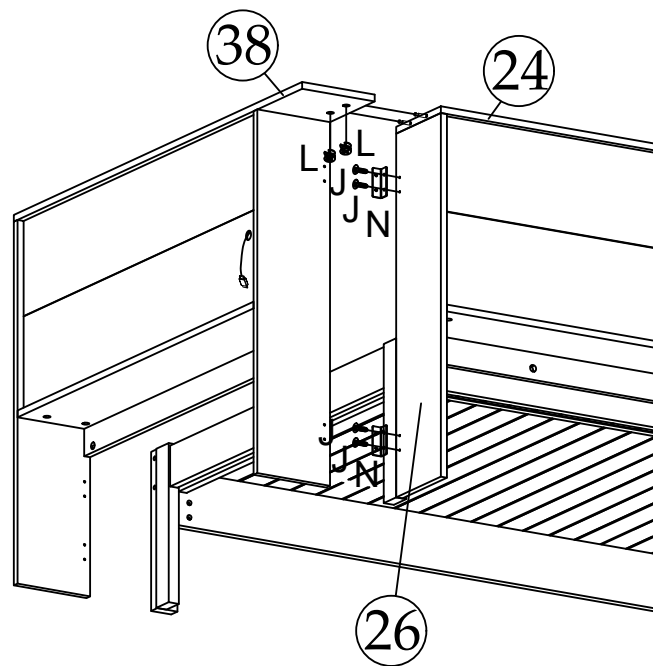
2



K	6x40		2PCS
L			2PCS
H			1PC

# ASSEMBLY INSTRUCTIONS

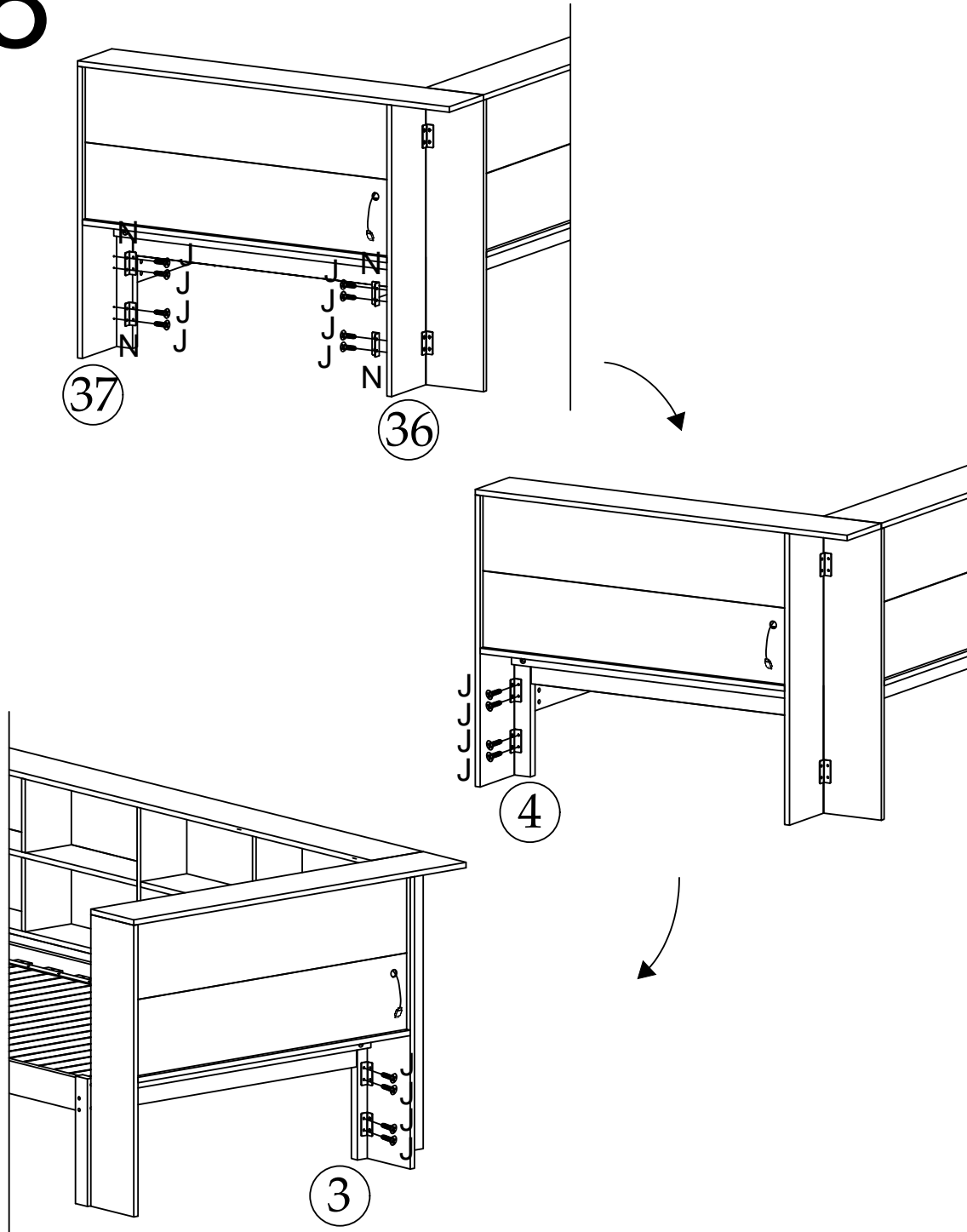
# 17







J	3x14		8PCS	L		2PCS
N			2PCS	H		1PC

# ASSEMBLY INSTRUCTIONS

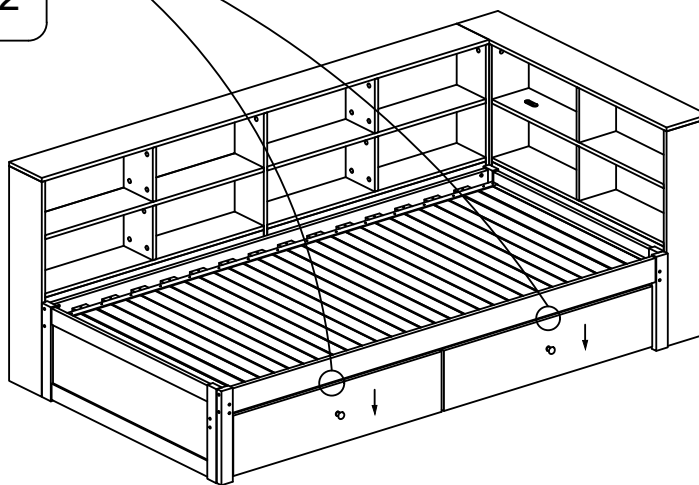
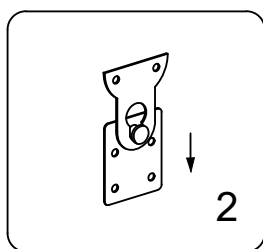
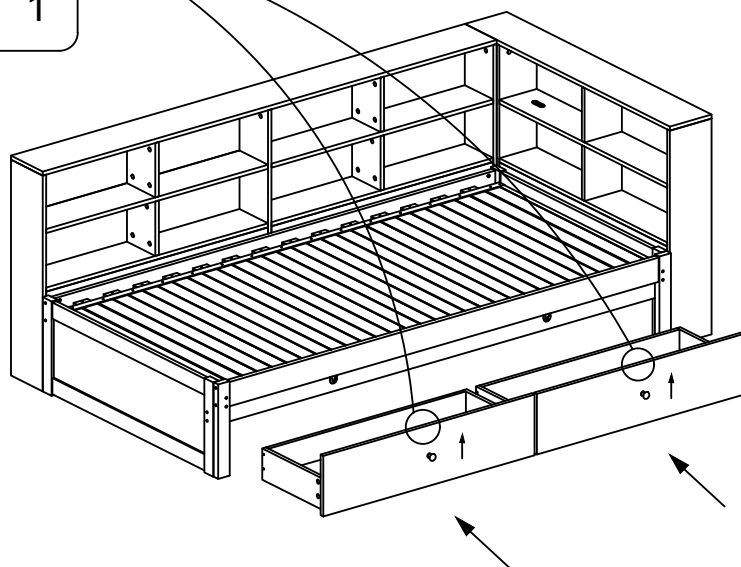
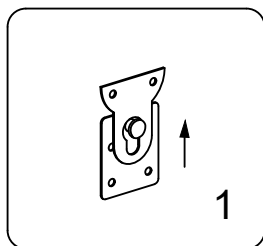
## 18



N		4PCS	F	4x25	
H		1PC	J	3x14	 16PCS

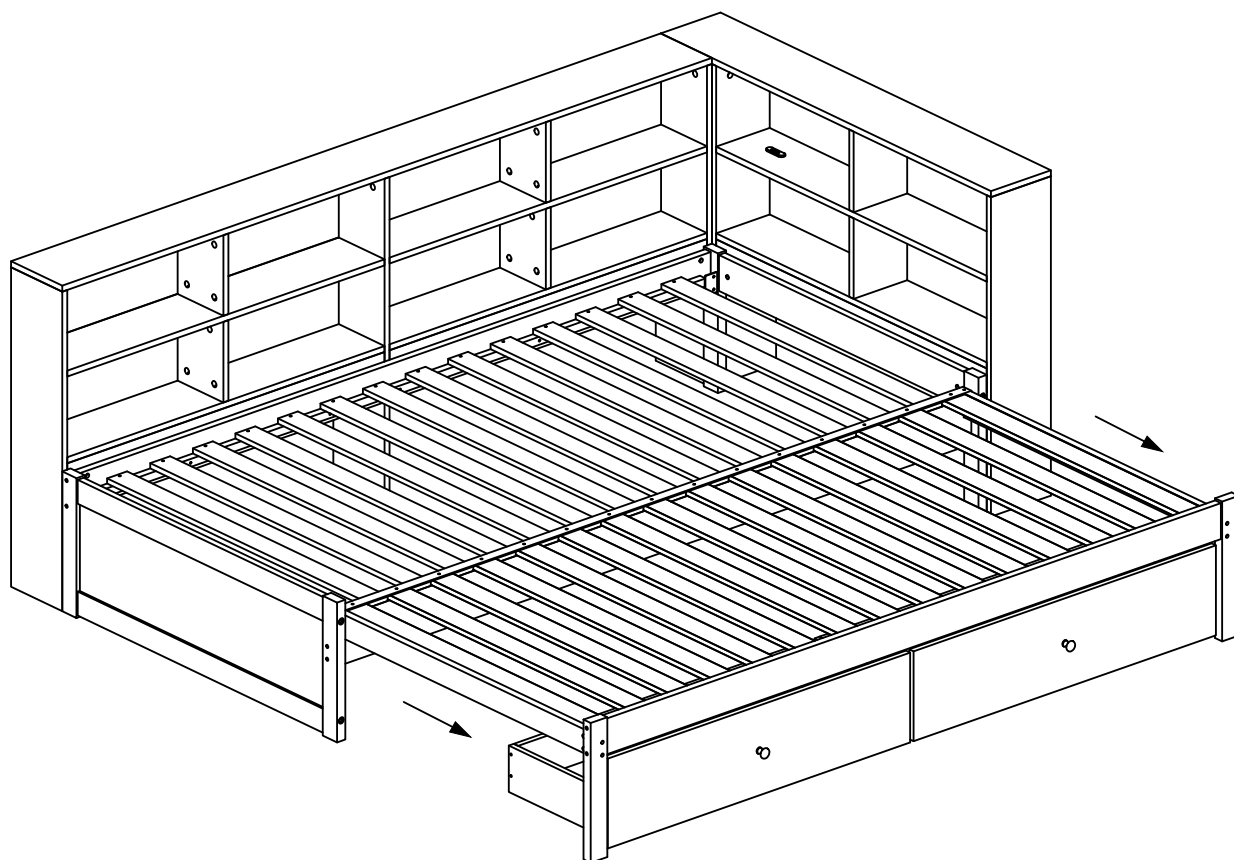
# ASSEMBLY INSTRUCTIONS

# 19



# ASSEMBLY INSTRUCTIONS

# 20





This certificate is responsible for testing sample only.  
Please refer to this corresponding test report to get testing process and data.

# CERTIFICATE

## ATTESTATION Certificate of Compliance

Technical file of the company mentioned below has been inspected and audit has been completed successfully

The Low Voltage Directive 2014/35/EU has been taken as references for these processes.

Certificate's Holder : QingDao ChengKong Electrical-Auto Co., Ltd.  
Address : Room 5-402, No.147 Xining Road, Zhuhai Community, Huangdao District, Qingdao, Shandong, China  
Manufacturer : QingDao ChengKong Electrical-Auto Co., Ltd.  
Address : Room 5-402, No.147 Xining Road, Zhuhai Community, Huangdao District, Qingdao, Shandong, China  
Product Name : Furniture Power Distribution Unit  
Product Model (S) : JN02-00-22, JN02-00-22Y, JN02-00-02, JN02-00-21, JN02-00-23, JN02-00-03, JN02-00-04  
Trade Mark : Roozmausy  
Related Directive : 2014/35/EU  
Related Standards : EN IEC 62368-1:2020 + A11:2020  
Certificate Number : HK2405271322S  
Report No. : HK2405271322-SR  
Registration Date : Jun. 04, 2024



Certification Manager



The information of the certificate can be checked through [www.cer-mark.com](http://www.cer-mark.com). The CE mark which is shown on the certificate can only be used under the conditions that the products complete with all of the relevant Directives of CE Declaration of Conformity. The Manufacturer should be responsible for the internal production control so that the products complied with the essential requirements of the above mentioned Directive(s). Certificate holder must notify all changes to the original certification laboratory of HUAKE.



Shenzhen HUAKE Testing Technology Co., Ltd.

Add.: 1-2/F., Building B2, Junfeng Zhongcheng Zhizao Innovation Park, Heping, Fuhai Street, Bao'an District, Shenzhen, Guangdong, China  
Tel.: +86-755-2302 9901 Http:// [www.cer-mark.com](http://www.cer-mark.com) Postcode: 518103 E-mail: [service@cer-mark.com](mailto:service@cer-mark.com)



This certificate is responsible for testing sample only.  
Please refer to this corresponding test report to get testing process and data.

# CERTIFICATE

## ATTESTATION Certificate of Compliance

Technical file of the company mentioned below has been inspected and audit has been completed successfully

The EMC Directive 2014/30/EU has been taken as references for these processes.

Certificate's Holder : QingDao ChengKong Electrical-Auto Co., Ltd.  
 Address : Room 5-402, No.147 Xining Road, Zhuhai Community, Huangdao District, Qingdao, Shandong, China  
 Manufacturer : QingDao ChengKong Electrical-Auto Co., Ltd.  
 Address : Room 5-402, No.147 Xining Road, Zhuhai Community, Huangdao District, Qingdao, Shandong, China  
 Product Name : Furniture Power Distribution Unit  
 Product Model (S) : JN02-00-22, JN02-00-22Y, JN02-00-02, JN02-00-21, JN02-00-23, JN02-00-03, JN02-00-04  
 Trade Mark : Roozmausy  
 Related Directive : 2014/30/EU  
 EN 55032:2015 + A1:2020 + A11:2020  
 Related Standards : EN IEC 61000-3-2:2019 + A1:2021  
 EN 61000-3-3:2013 + A1:2019 + A2:2021  
 EN 55035:2017 + A11:2020

Certificate Number : HK2405272729E  
 Report No. : HK2405272729-1ER  
 Registration Date : Jun. 04, 2024



Certification Manager



The information of the certificate can be checked through [www.cer-mark.com](http://www.cer-mark.com). The CE mark which is shown on the certificate can only be used under the conditions that the products complete with all of the relevant Directives of CE Declaration of Conformity. The Manufacturer should be responsible for the internal production control so that the products complied with the essential requirements of the above mentioned Directive(s). Certificate holder must notify all changes to the original certification laboratory of HUAKE.



Shenzhen HUAKE Testing Technology Co., Ltd.

Add.: 1-2/F., Building B2, Junfeng Zhongcheng Zhizao Innovation Park, Heping, Fuhai Street, Bao'an District, Shenzhen, Guangdong, China  
Tel.: +86-755-2302 9901 Http:// [www.cer-mark.com](http://www.cer-mark.com) Postcode: 518103 E-mail: [service@cer-mark.com](mailto:service@cer-mark.com)