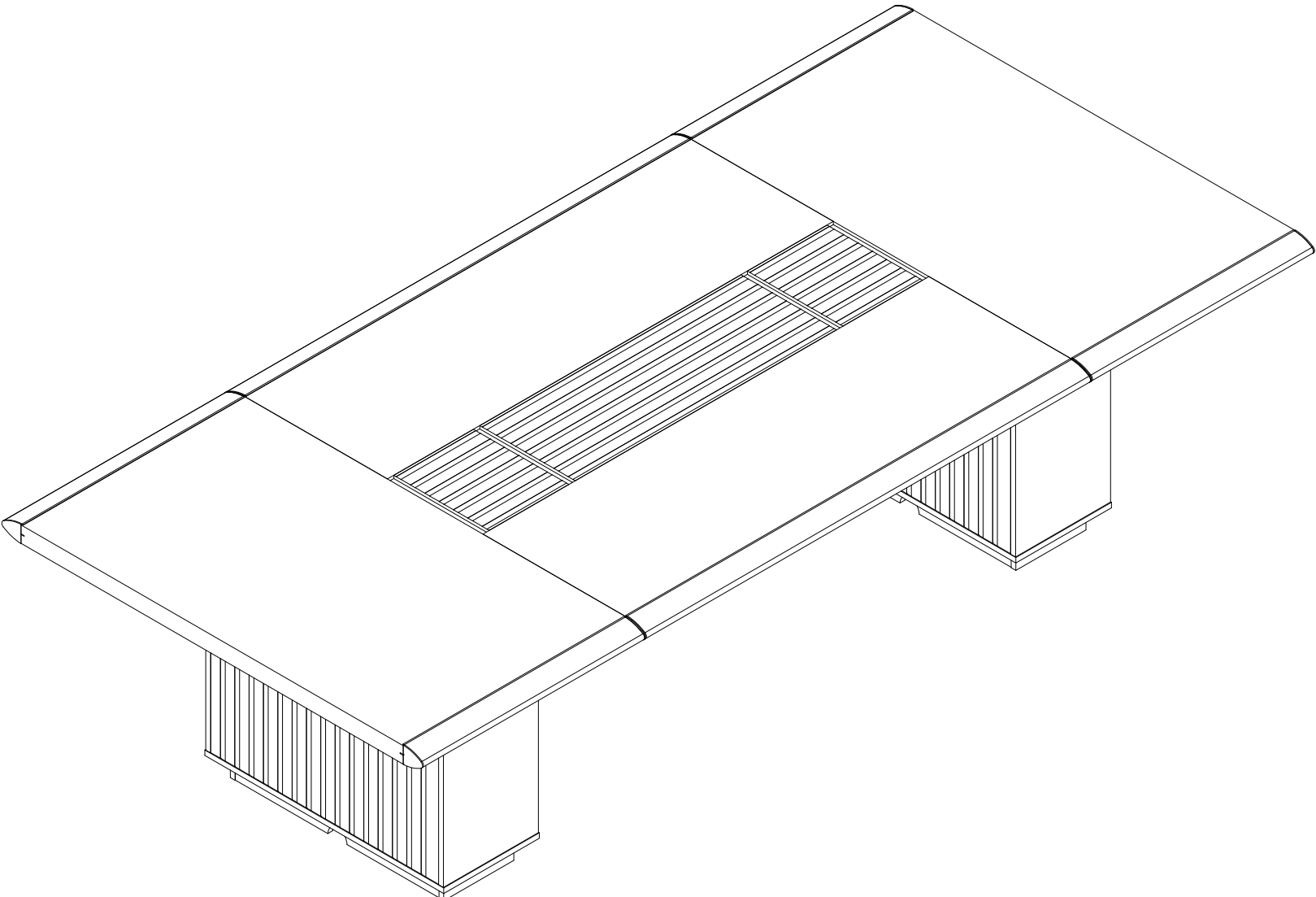
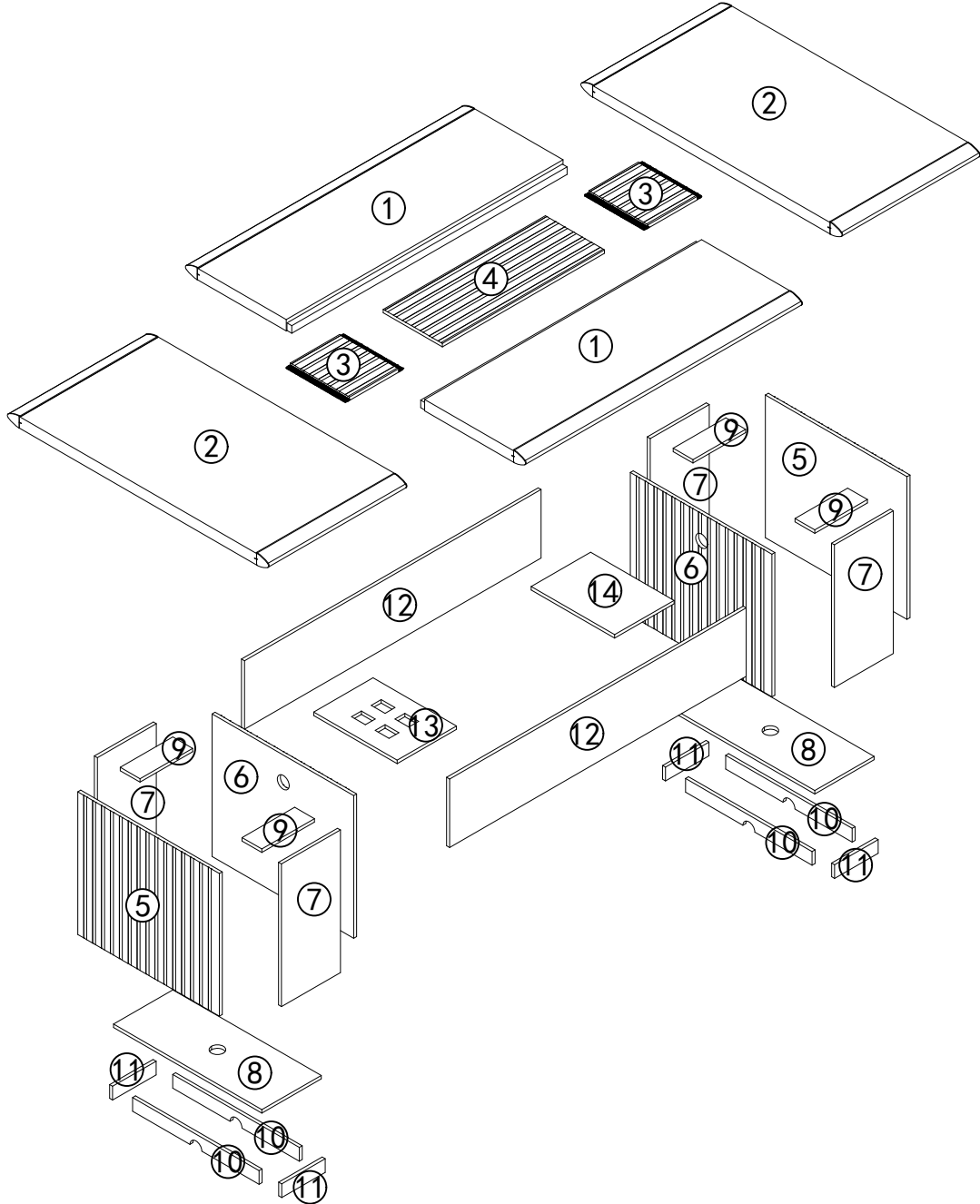


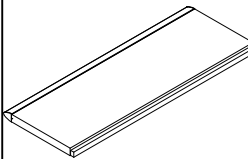
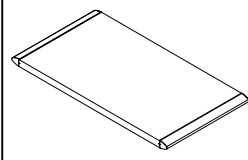
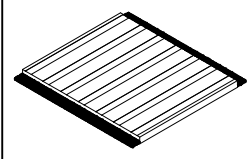
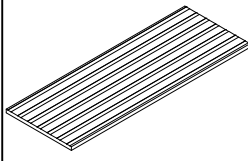
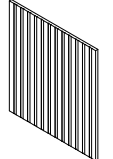
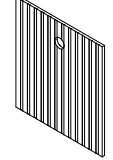
# Assembly Instruction

**TIPS: Before installation, please read the assembly instructions carefully.**


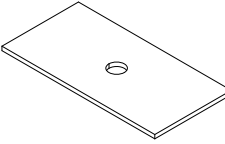
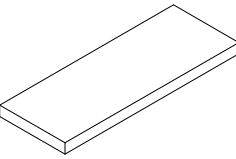
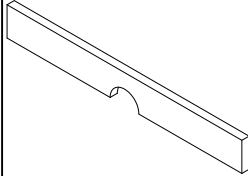
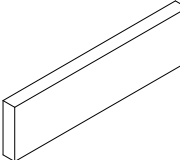
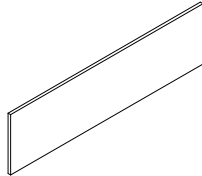


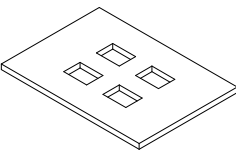
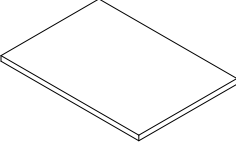


**PART LIST:**

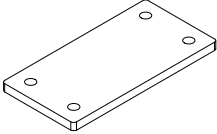

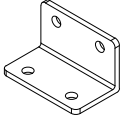
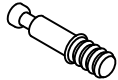

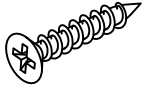
LABEL	PICTURE	DESCRIPTION	QTY
1		1400*510*50mm	2PCS
2		700*1320*50mm 800*1320*50mm	2PCS
3		250*300*15mm 280*300*15mm	2PCS
4		820*300*15mm 760*300*15mm	1PC
5		625*716*15mm	2PCS
6		625*716*15mm	2PCS

**PART LIST:**

LABEL	PICTURE	DESCRIPTION	QTY
7		625*298*15mm	4PCS
8		600*300*15mm	2PCS
9		266*102*15mm	4PCS
10		640*60*15mm	4PCS
11		220*60*15mm	4PCS
12		1500*300*15mm 1700*300*15mm	2PCS

LABEL	PICTURE	DESCRIPTION	QTY
13		422*300*15mm	1PC
14		422*300*15mm	1PC

**HARDWARE LIST:**



LABEL	PICTURE	DESCRIPTION	QTY
A		METAL PLATE (100*50)	8PCS
B		WIRE BOX φ60	4PCS
C		CORNER BRACKET (34*20*20)	4PCS
D		TWO-IN-ONE SCREW (6*40)	80PCS
E		TWO-IN-ONE SCREW (15*10)	80PCS
F		SCREW (M4*20)	48PCS

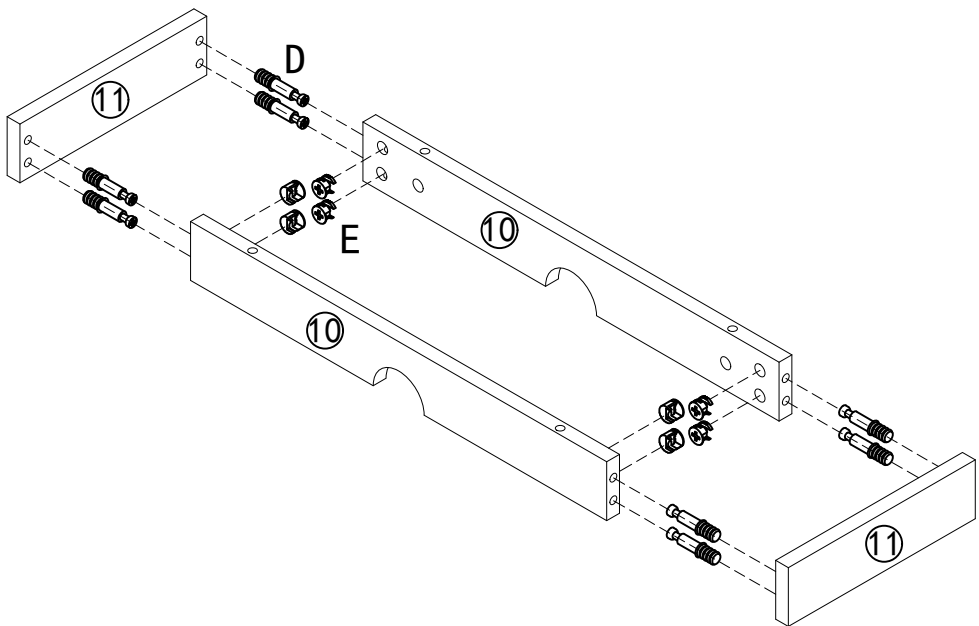
**HARDWARE LIST:**

LABEL	PICTURE	DESCRIPTION	QTY

## STEP 1



Repeat this installation step twice.

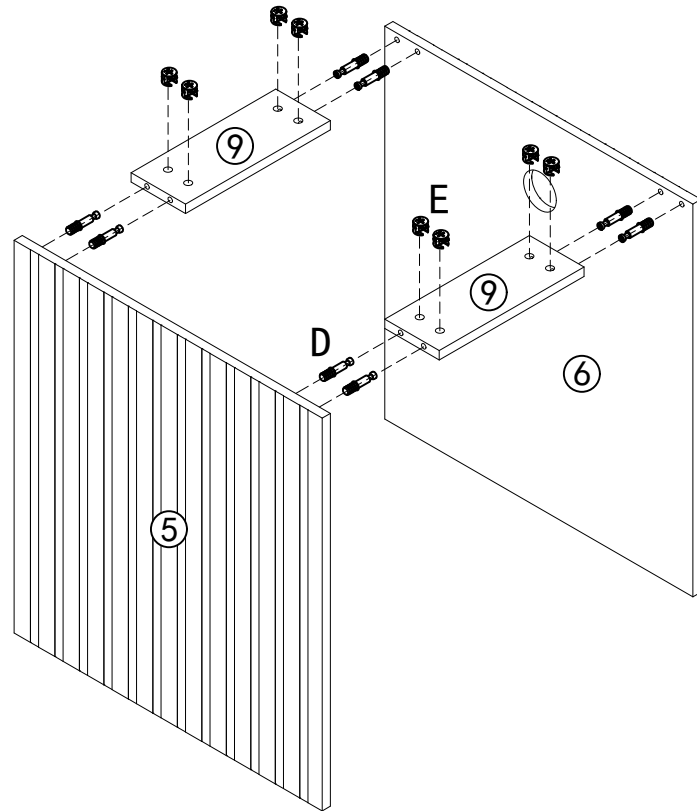
LABEL	PICTURE	QTY
D		16PCS
E		16PCS



## STEP 2



Repeat this installation step twice.

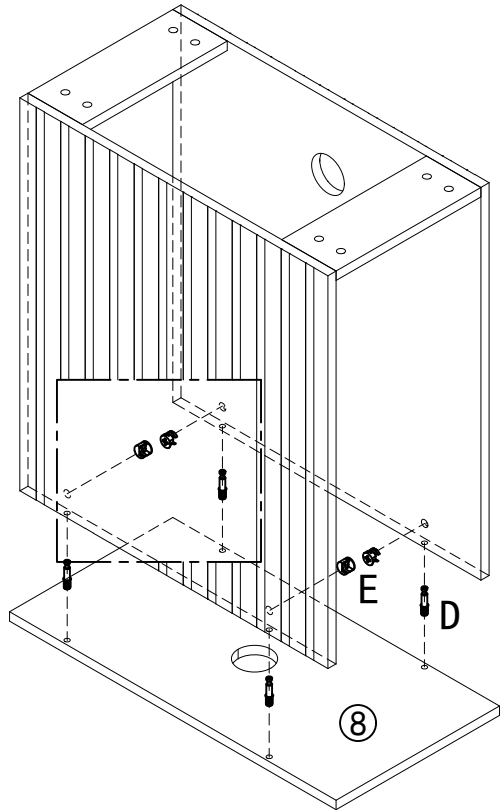
LABEL	PICTURE	QTY
D		16PCS
E		16PCS



### STEP 3



Repeat this installation step twice.

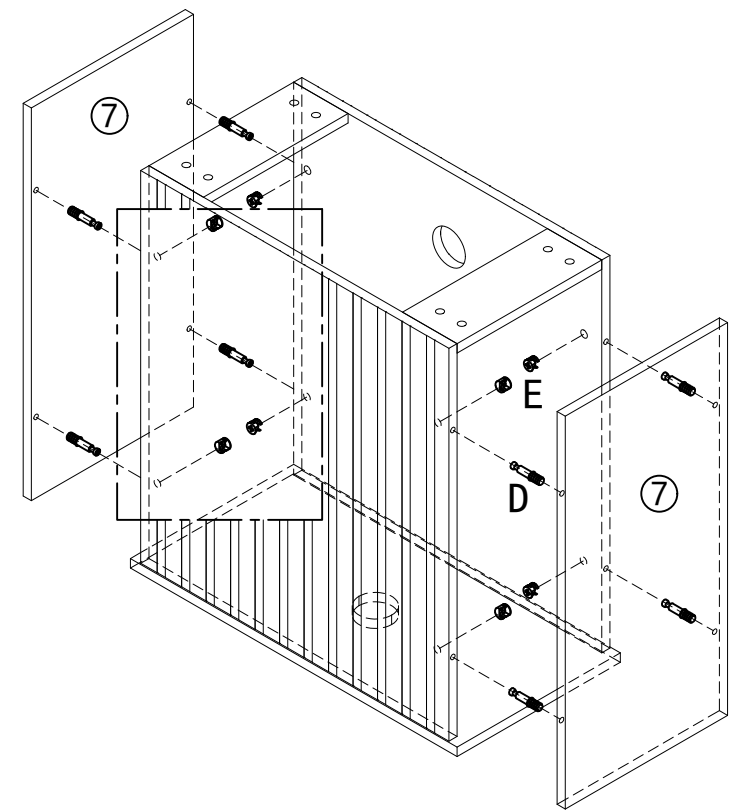
LABEL	PICTURE	QTY
D		8PCS
E		8PCS



### STEP 4



Repeat this installation step twice.

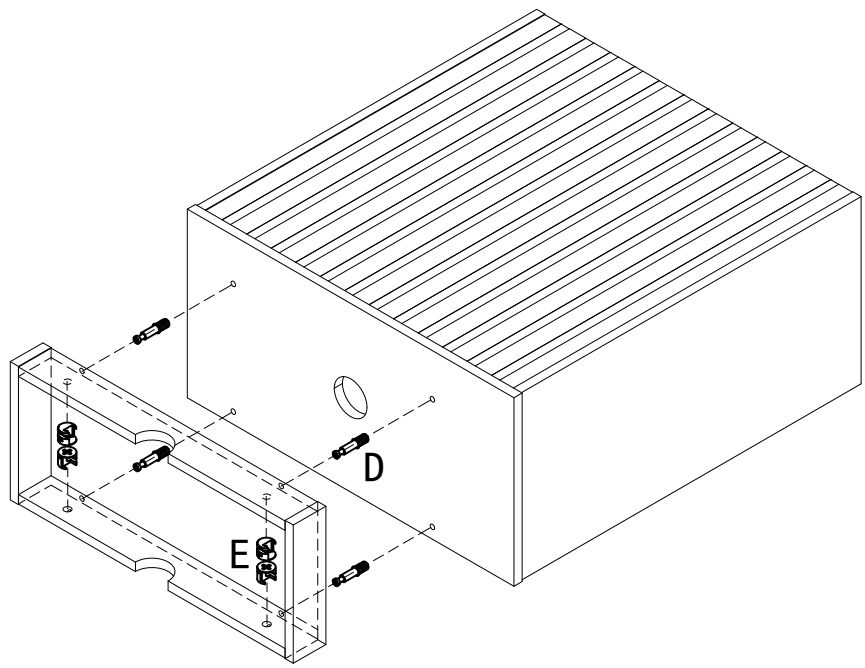
LABEL	PICTURE	QTY
D		16PCS
E		16PCS



### STEP 5


Repeat this installation step twice.

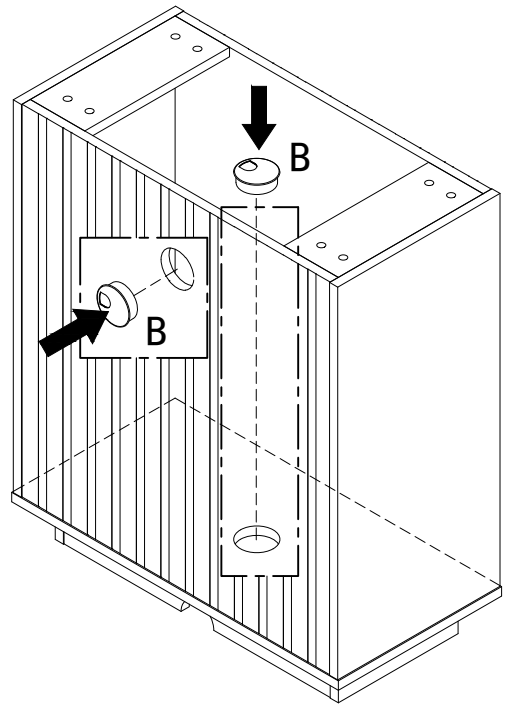
LABEL	PICTURE	QTY
D		8PCS
E		8PCS





### STEP 6

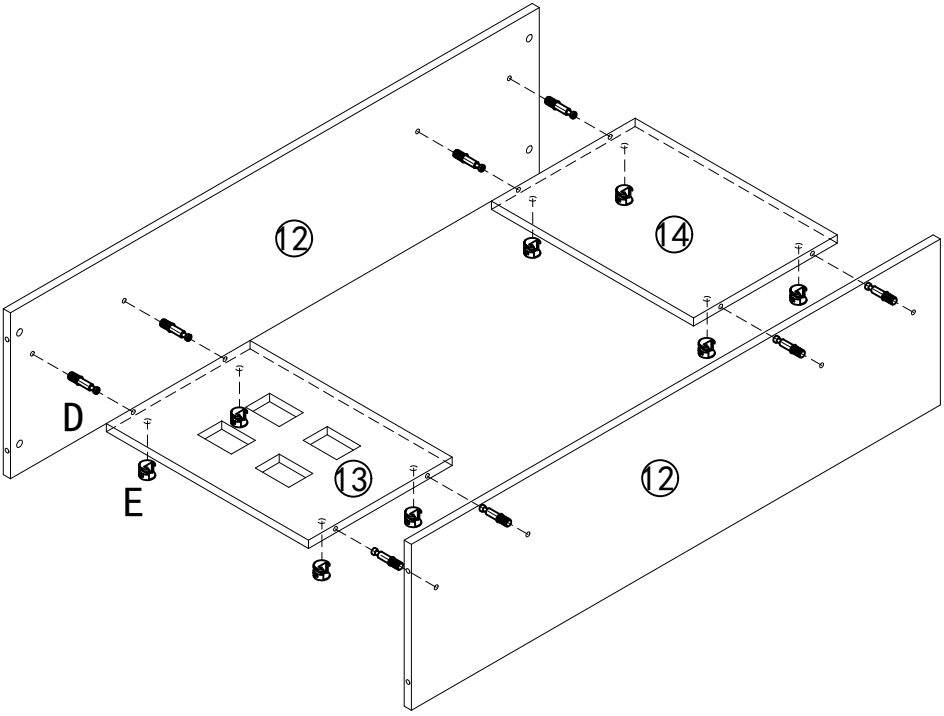
Repeat this installation step twice.

LABEL	PICTURE	QTY
B		4PCS





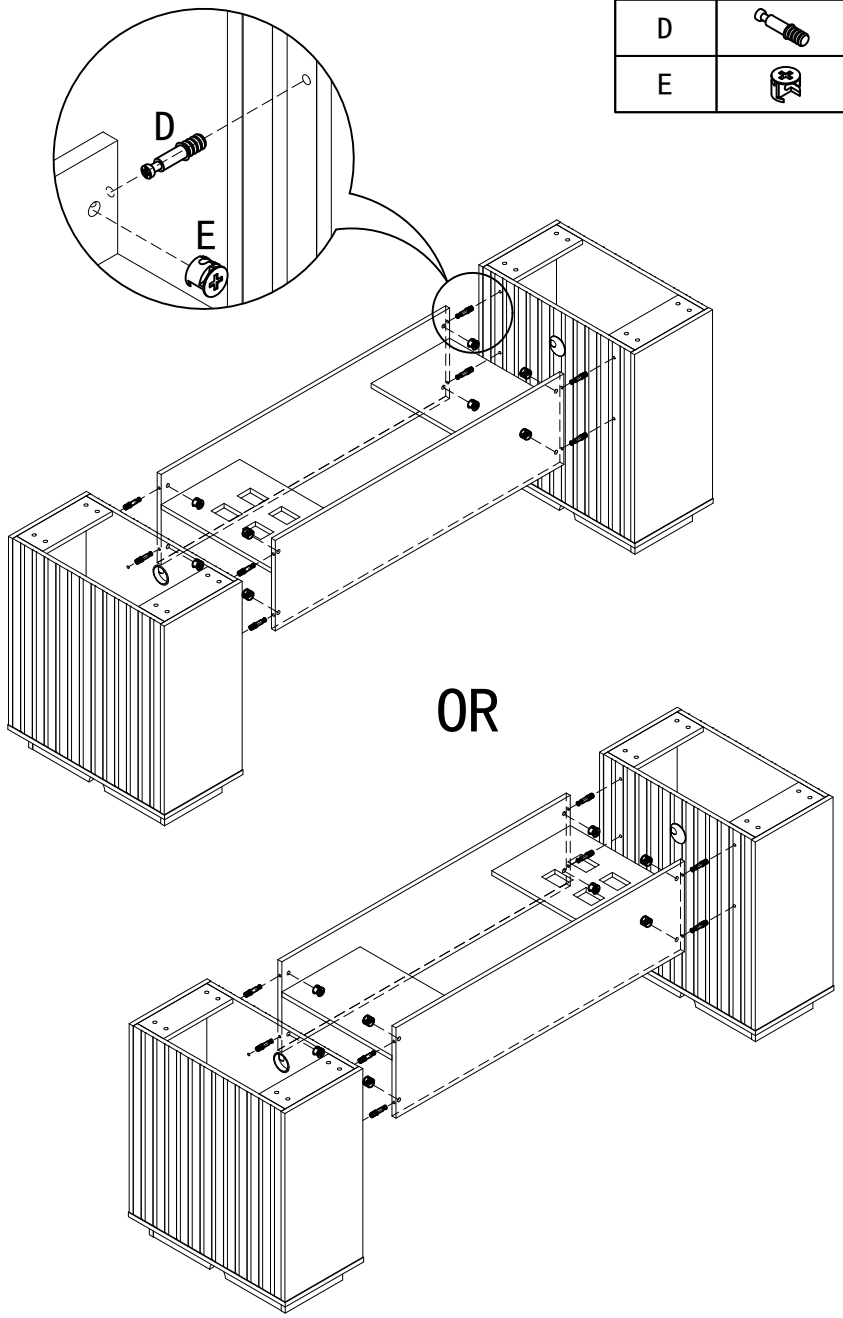
## STEP 7

LABEL	PICTURE	QTY
D		8PCS
E		8PCS





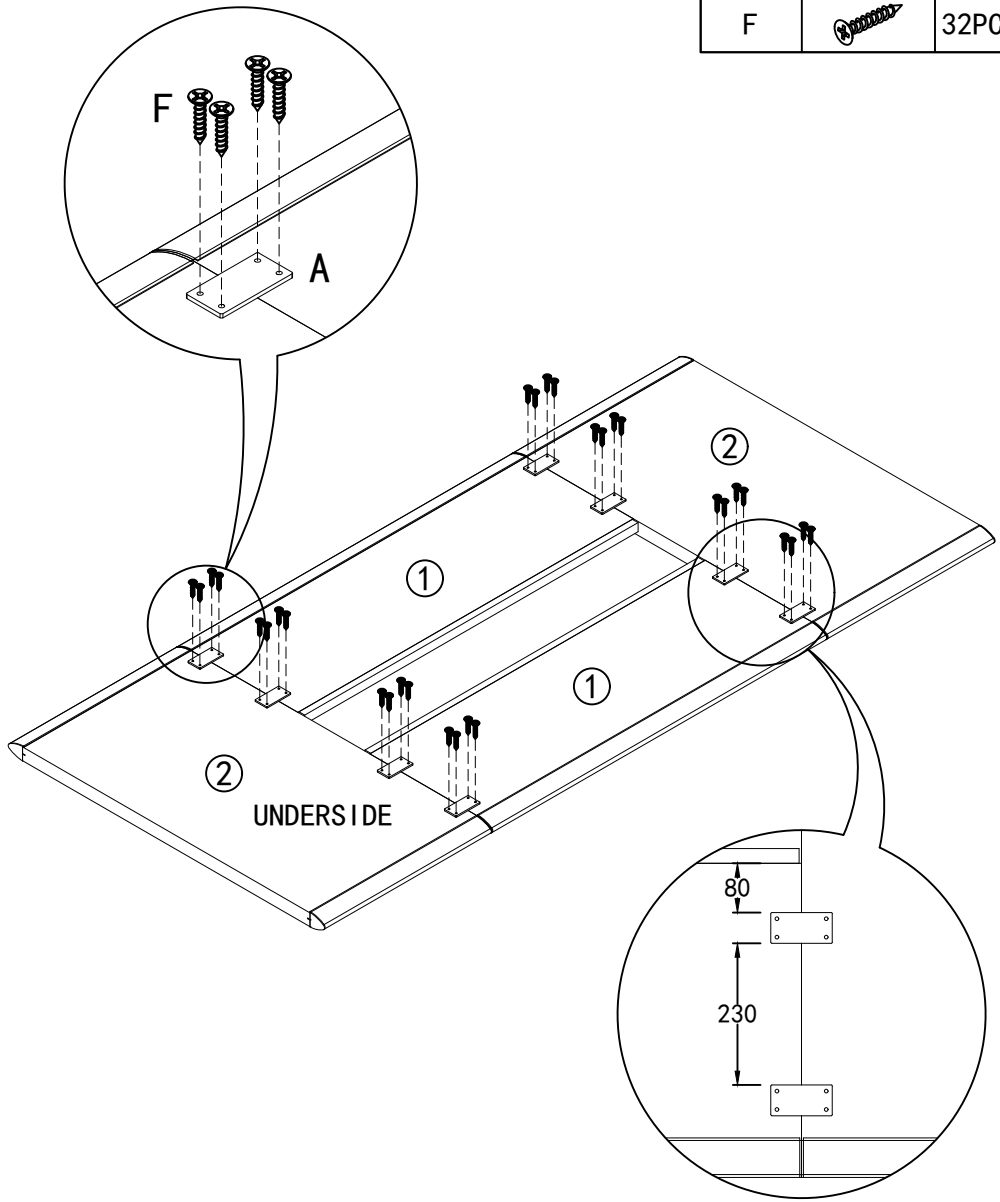
## STEP 8

LABEL	PICTURE	QTY
D		8PCS
E		8PCS





## STEP 9

LABEL	PICTURE	QTY
A		8PCS
F		32PCS



## STEP 10

LABEL	PICTURE	QTY
C		4PCS
F		16PCS

