

ASSEMBLY INSTRUCTIONS

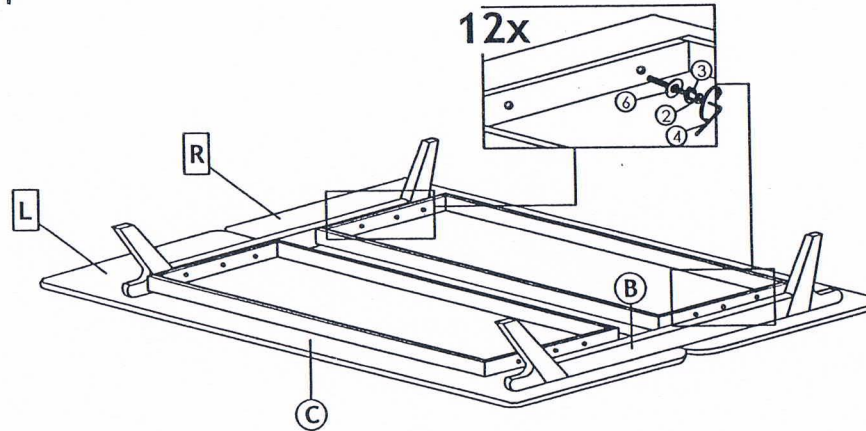
Read this instruction carefully. Refer hardware and furniture parts list for guidance. Be sure all parts are complete, before assembling. Place all wooden furniture part on a clean and flat soft surface to prevent scratcheds. Refer steps provided as assembling guide.

CAUTIONS :

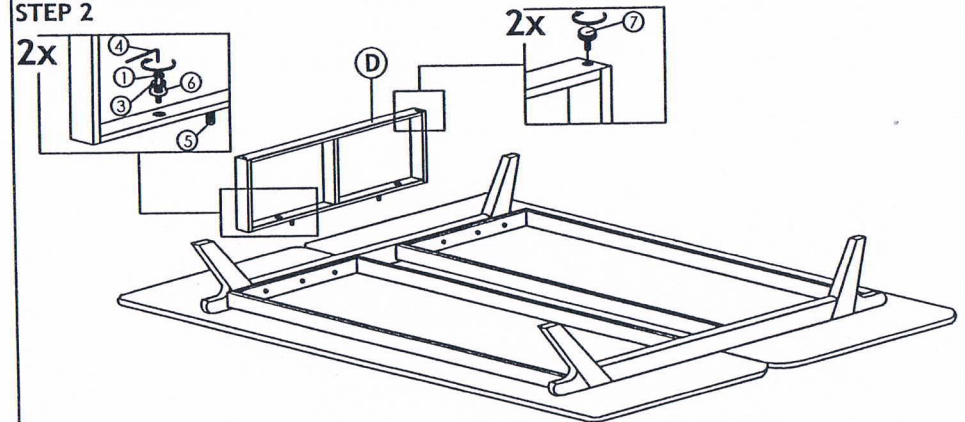
1. Do not **FULLY-TIGHTEN** the nuts or nut bolts until all are in place.
2. To prevent thread damage. Ensure that nuts or nut bolts are not over-tighten.
3. Hardware are to be kept out of reach from children.

PART LIST			HARDWARE LIST		
ITEM	DESCRIPTION	QTY	ITEM	DESCRIPTION	QTY
A	HEADBOARD	1 PC	1	JCBC SCREW M6 x 35MM	2 PCS
B	LEG	2 PCS	2	JCBC SCREW M6 x 40MM	24 PCS
C	MATTRESS PANEL (L & R)	2 PCS	3	SPRING WASHER 1/4"	26 PCS
D	WOODEN SUPPORT	1 PC	4	M4 ALLEN KEY (BALL SHAPE) LONG	1 PC
			5	WOOD DOWEL DIA 8 x 35MM	2 PCS
			6	FLAT WASHER 1/4"	26 PCS
			7	BOLT BASE GLIDE M6 x 23 (C83)	2 PCS

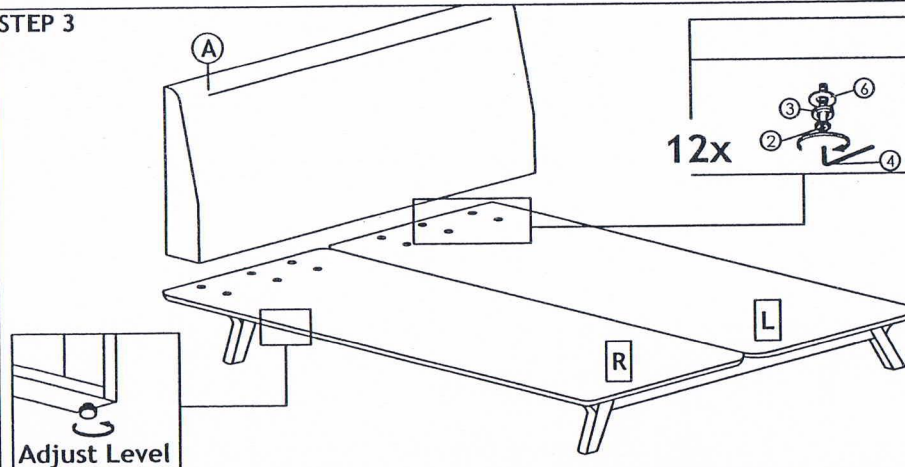
STEP 1



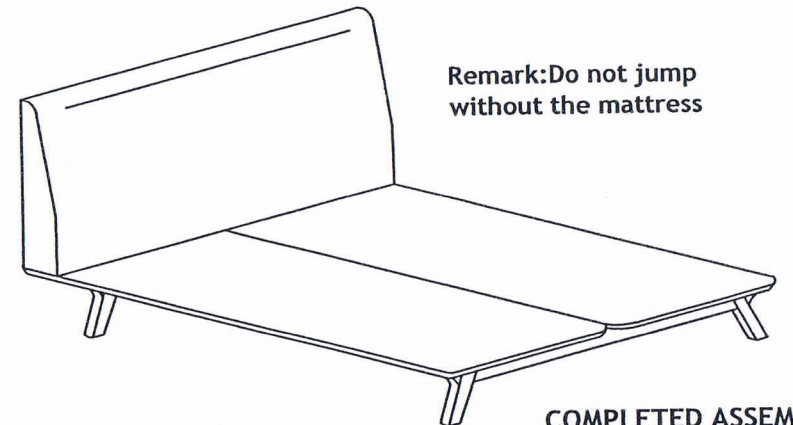
STEP 2



STEP 3



STEP 4






COMPLETED ASSEMBLY

ASSEMBLY INSTRUCTIONS

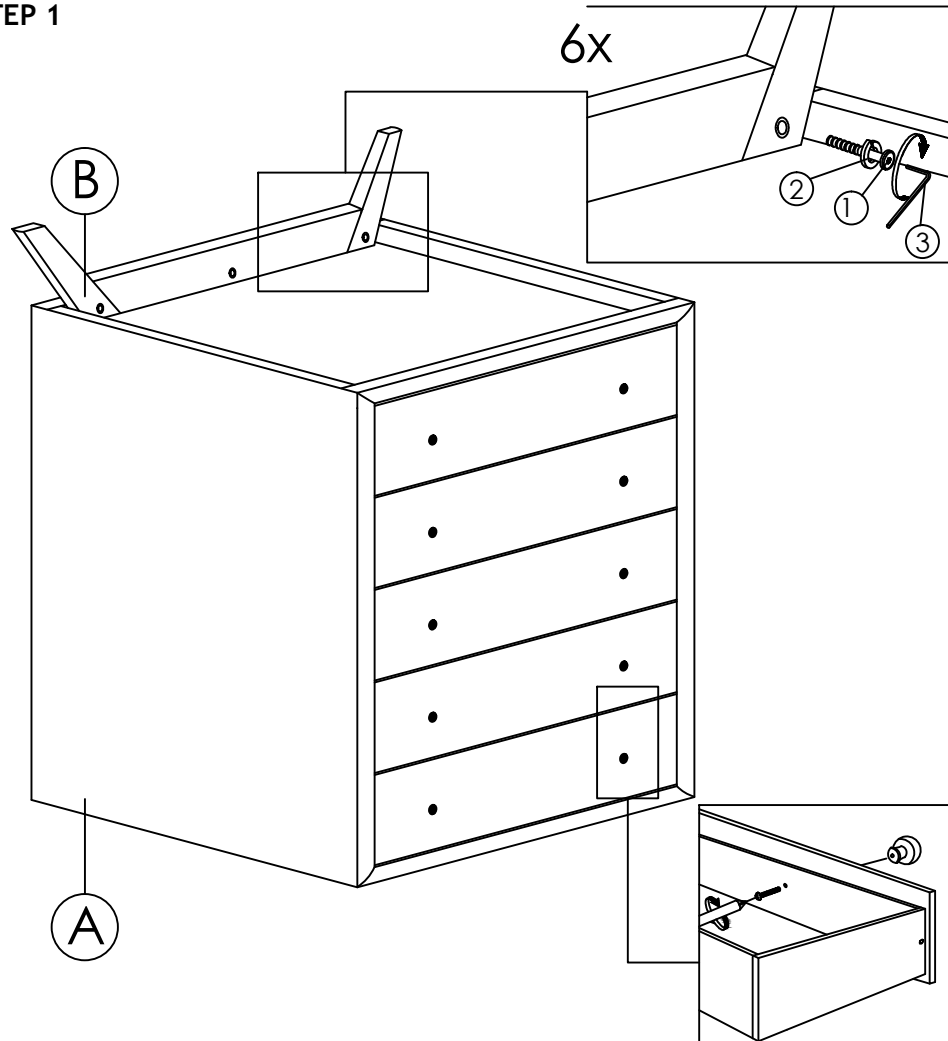
Read these instructions carefully. Refer to hardware and furniture parts list for guidance. Be sure all parts are complete, before assembling. Place all wooden furniture parts on a clean and flat soft surface to prevent scratches. Refer to steps provided as assembling guide.

CAUTIONS :

1. Do not **FULLY-TIGHTEN** the nuts or nut bolts until all are in place.
2. To prevent thread damage. Ensure that nuts or nut bolts are not over-tightened.
3. Hardware is to be kept out of reach of children.

PART LIST			HARDWARE LIST		
ITEM	DESCRIPTION	QTY	ITEM	DESCRIPTION	QTY
A	SIDEBOARD	1 PC	1	JCBC SCREW M6 x 30MM 	6 PCS
B	SIDEBOARD LEG	2 PCS	2	1/4" SPRING WASHER 	6 PCS
			3	M4 ALLEN KEY (BALL SHAPE) LONG 	1 PC

STEP 1



COMPLETED ASSEMBLY

