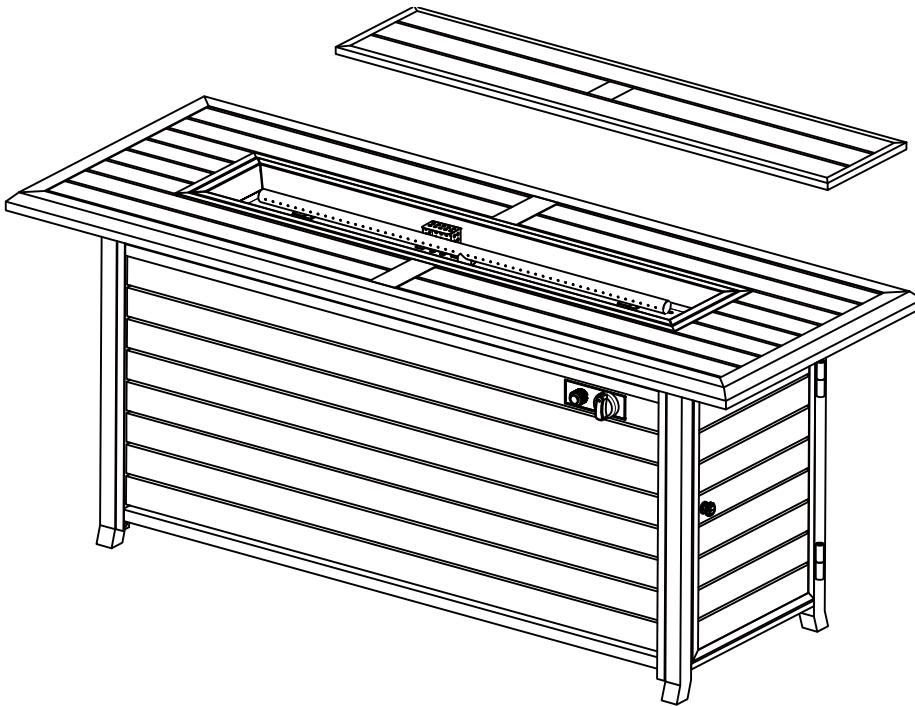




Owner's Manual




Conforms to ANSI STD Z21.97-2014 Certified to CSA STD 2.41-2014




SAFETY INFORMATION

 DANGER	CARBON MONOXIDE HAZARD <ul style="list-style-type: none">• This appliance can produce carbon monoxide which has no odor.• Using it in an enclosed space can kill you.• Never use this appliance in a enclosed space such as a camper, tent, car or home.
	

 **DANGER**


If you smell gas:

- Shut off gas to the appliance
- Extinguish any open flame.
- If odor continues, keep away from the appliance and immediately call your gas supplier or fire department.


 **DANGER**

- **EXPLOSION – FIRE HAZARD**
- Keep solid combustibles, such as building materials, paper, or cardboard a safe distance away from the fire pit as recommended by the instructions.
- Provide adequate clearances around air openings into combustion chamber.
- Never use the fire pit in spaces which do or may contain volatile or airborne combustibles, or products such as gasoline, solvents, paint thinner, dust particles or unknown chemicals.
- During operation, this appliance can be a source of ignition. Keep fire pit area free and clear from combustible materials, gasoline, paint thinner, cleaning solvent and other flammable vapors and liquids. Do not use fire pit in areas with high dust content.


Minimum fire pit clearances from combustible materials:
two (2) feet or 24 inches from sides, two (2) feet or 24 inches from rear and six (6) feet or 72 inches from ceiling.


 **DANGER**

- **EXPLOSION – FIRE HAZARD**
- Never store propane near high heat, open flames, pilot lights, direct sunlight, other ignition sources or where temperatures exceed 120 degrees F (49 degrees C).
- Propane vapors are heavier than air and can accumulate in low places. If you smell gas, leave the area immediately.
- Never install or remove propane cylinder while fire pit is lighted, near flame, pilot lights or other ignition source or while fire pit is hot to the touch.
- This fire pit is red hot during use and can ignite flammables too close to the burner. Keep flammables at least 2 feet (24 inches) from sides and rear 6 feet (72 inches) from ceiling. Keep gasoline and other flammable liquids and vapors well away from fire pit.
- Store the propane cylinder outdoors in a well ventilated space out of the reach of children. Never store the propane cylinder in an enclosed area (house, garage, etc.) If the fire pit is to be stored indoors, disconnect the propane cylinder for outdoor storage.


 **WARNING:**

Improper installation, adjustment, alteration, service or maintenance can cause property damage, injury or death. Read the installation, operation and maintenance instructions thoroughly before installing or servicing this equipment.


 **WARNING:** For Outdoor Use Only.

 **WARNING:**


The max. inlet supply pressure: max. Gas supply 11 in w.c. (2.74kPa)

 **WARNING**

We cannot foresee every use which may be made of our fire pit. Check with your local fire safety authority if you have questions about fire pit use. Other standards govern the use of fuel gasses and heat producing products for specific uses. Your local authorities can advise you about these. If no local codes exist, follow National Fuel Gas Code, ANSI 2223.1. In Canada, installation must conform to local codes. If no local codes exist, follow the current National standards of CANADA CAN/CGA-B 149.2.

 **DANGER**

- **CARBON MONOXIDE HAZARD**
- This fire pit is a combustion appliance. All combustion appliances produce carbon monoxide (CO) during the combustion process. This product is designed to produce extremely minute, non-hazardous amounts of CO if used and maintained in accordance with all warnings and instructions. Do not block the air flow into or out of the fire pit.
- Carbon Monoxide (CO) poisoning produces flu-like symptoms, watery eyes, headaches, dizziness, fatigue and possibly death. You can't see it and you can't smell it. It is an invisible killer. If these symptoms are present during operation of this product, get fresh air immediately!
- For outdoor use only.
- Never use inside house or other unventilated or enclosed areas.
- This fire pit consumes air (oxygen). Do not use in unventilated or enclosed areas to avoid endangering your life.

 **WARNING**

WARNING indicates an imminently hazardous situation which, if not avoided, will result in death or serious injury.

SAFETY INFORMATION



WARNING

Do not store or use gasoline or other flammable vapors and liquids in the vicinity of this or any other appliance. An LP-cylinder not connected for use shall not be stored in the vicinity of this or any other appliance.



WARNING: FOR OUTDOOR USE ONLY



CARBON MONOXIDE HAZARD

This appliance can produce carbon monoxide which has no odor. Using it in an enclosed space can kill you. Never use this appliance in an enclosed space such as a camper, tent or home.

WARNING

Cancer and Reproductive Harm-[www. P65Warnings.ca.gov](http://www.P65Warnings.ca.gov)



WARNING:

BURN HAZARD

- Never leave fire pit unattended while hot or in use.
- Keep out of reach of children.



WARNING:

Certain materials or items, when stored under the fire pit, will be subject to radiant heat and could be seriously damaged.



CAUTION

SERVICE SAFETY

- Keep all connections and fittings clean. Make sure propane cylinder valve outlet is clean.
- During set-up, check all connections and fittings for leaks using soapy water. Never use a flame to check for leaks.
- Use as a heating appliance only. Never alter in any way to use with any device.



CAUTION

CAUTION indicates an imminently hazardous situation which, if not avoided, may result in minor or moderate personal injury, or property damage.



WARNING:

- This product is fueled by propane gas. Propane gas is invisible, odorless, and flammable. An odorant is normally added to help detect leaks and can be described as having a "rotten egg" smell. The odorant can fade over time so leaking gas is not always detected by smell alone.
- Propane gas is heavier than air and leaking propane will sink to the lowest level possible. It can ignite by ignition sources including matches, lighters, sparks or open flames of any kind many feet away from the original leak. Use only propane gas set up for vapor withdrawal.
- Store or use propane gas in compliance with local ordinances and codes or with ANSI/NFPA 58. Turn off propane when not in use.



WARNING:

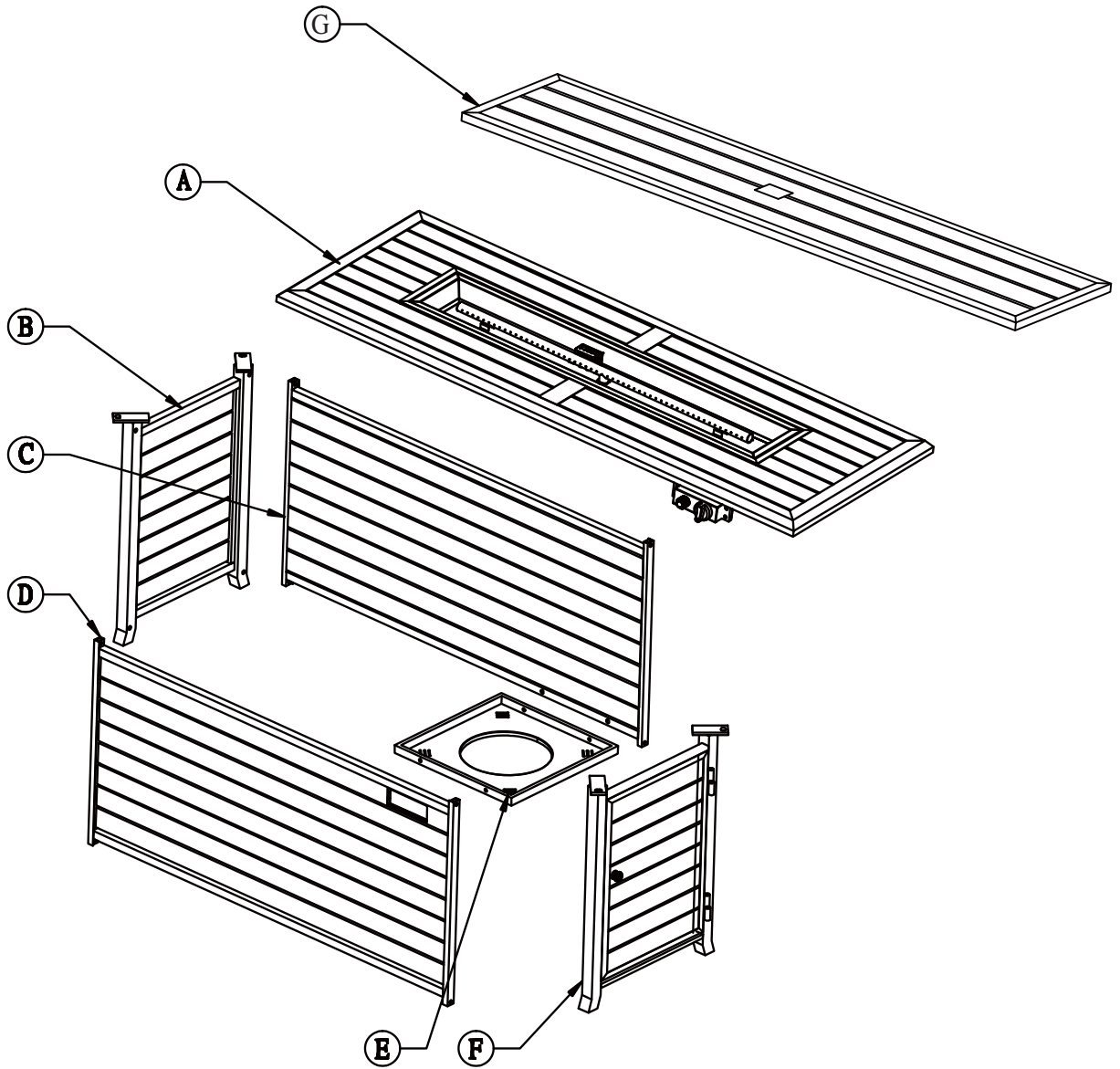
- Alert children and adults to the hazards of high surface temperatures. Stay away from these surfaces to avoid burning skin or igniting clothing.
- Carefully supervise young children when in the vicinity of the fire pit.
- Do not hang clothing or any other flammable materials from the fire pit, or place near the fire pit.
- Replace any guard or protective device removed for servicing the appliance prior to placing back in service.
- Installation and repair should be done by a qualified service person. The fire pit should be inspected before use and annually by a qualified service person. More frequent cleaning may be required as necessary. It is imperative that the control compartment, burners and circulating air passageway of the appliance be kept clean.



WARNING:

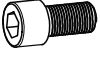


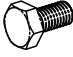

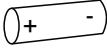

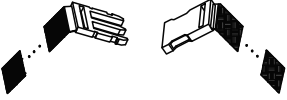

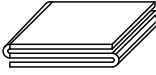
- Non-rechargeable batteries are not to be recharged. Do not mix different types of batteries such as alkaline, carbon-zinc, or rechargeable batteries. Do not mix old and new batteries. Batteries are to be inserted with the correct polarity. Exhausted batteries are to be removed from the product.
- 1AA 1.5V battery 1pc
- Battery included
- DO NOT DISPOSE OF BATTERIES IN FIRE. BATTERIES MAY EXPLODE OR LEAK

PACKAGE CONTENTS



PART	DESCRIPTION	QUANTITY
A	Table top with burner	1
B	Back Panel	1
C	Right Side Panel	1
D	Left Side Panel	1
E	Bottom Plate	1
F	Door Panel With Door	1
G	Lid	1

HARDWARE CONTENTS

AA	BB	CC	DD	EE	FF	GG
						
M6x25 Bolt Qty. 12	M6 Washer Qty. 12	Wrench A Qty. 1	M8x16 Bolt . 4	M8 Washer Qty. 4	Battery Qty. 1	Wrench B Qty. 1
	HH		II		JJ	
						
	Propane Tank Strap Qty. 1		Fire Glass Qty. 1 pack		Vinyl Fire Pit Cover Qty. 1	

SAFETY INFORMATION

SAFETY INFORMATION

Please read and understand this entire manual before attempting to assemble, operate or install this appliance. If you have any questions regarding the product, please call customer service. This appliance has been tested to and complies with the ANS ANSI STD Z21.97-201, Outdoor Decorative Gas Appliances CGA CR 97-003 Outdoor Gas Fireplaces. The installation must conform to local codes or in the absence of local codes, to the National Fuel Gas Code. ANSIZ223.1. This manual contains important information about the assembly, operation and maintenance of this fire pit. General safety information is presented in the first few pages and is also located throughout this manual. Keep this manual for future reference and to educate new users of this appliance. This manual should be read in conjunction with the labeling on the appliance. Safety precautions are essential when any mechanical or propane fueled equipment is involved. These precautions are necessary when using, storing, and servicing. Using this appliance with the respect and caution demanded will reduce the possibilities of personal injury or property damage. The following symbols shown below are used extensively throughout this manual. Always heed these precautions, as they are essential when using any mechanical or propane fueled equipment.



DANGER

DANGER indicates an imminently hazardous situation which, if not avoided, will result in death or serious injury.



DANGER

Failure to comply with the precautions and instructions provided with this fire pit can result in death, serious bodily injury and property loss or damage from hazards of fire, explosion, burn asphyxiation, and/or carbon monoxide poisoning. Only persons who can understand and follow the instructions should use or service this fire pit.



DANGER

FOR YOUR SAFETY:

If you smell gas:

1. Shut off gas to the appliance.
2. Extinguish any open flame.
3. If odor continues, keep away from the appliance and immediately call your gas supplier or fire department.

Solid fuels shall not be burned with this appliance.

OPERATION CHECKLIST

Operation Checklist

For a safe and pleasurable heating experience, perform this check before each use.

Before Operating:

1. I am familiar with entire owner's manual and understand all precautions noted.
2. All components are properly assembled, intact and operable.
3. No alterations have been made.
4. All gas connections are secure and do not leak.
5. Wind velocity is below 10 mph.
6. Unit will operate at reduced efficiency below 40°F/4.44°C.
7. Fire pit is outdoors (outside any enclosure).
8. There is adequate fresh air ventilation. Do not use this appliance if any part has been under water. Immediately call a qualified service technician to inspect the appliance and to replace any part of the control system and gas control which has been under water.
9. Fire pit is away from gasoline or other flammable liquids or vapors.
10. Fire pit is away from windows, air intake openings, sprinklers and other water sources.
11. Fire pit is at least 24 inches on rear and sides from combustible materials and 62 inches from ceiling.
12. Fire pit is on a hard and level surface.
13. There are no signs of spiders or insects.
14. All burner passages are clear.
15. All air circulation passages are clear.
16. Children and adults should be alerted to the hazards of high surface temperature and should stay away to avoid burns or clothing ignition.
17. Young children should be carefully supervised when they are in the area of the fire pit.
18. Clothing or other protective material should not be hung from the fire pit, or placed on or near the fire pit.
19. Any guard or other protective device removed for servicing the fire pit must be replaced prior to operating the fire pit.
20. Installation and repair should be done by a qualified service person. The fire pit should be inspected before use and at least annually by a qualified service person.
21. More frequent cleaning may be required as necessary. It is imperative that control compartment, burner and circulating air passageways of the fire pit be kept clean.

After Operation

1. Gas control is in OFF position.
2. Gas tank valve is OFF.
3. Gas line has been disconnected.
4. After each use, replace cap on gas tank.

PREPARATION

Before beginning assembly of product, make sure all parts are present. Compare parts with package contents list and hardware contents above. If any part is missing or damaged, do not attempt to assemble the product. Contact customer service for replacement parts.

Estimated Assembly Time: 30 minutes

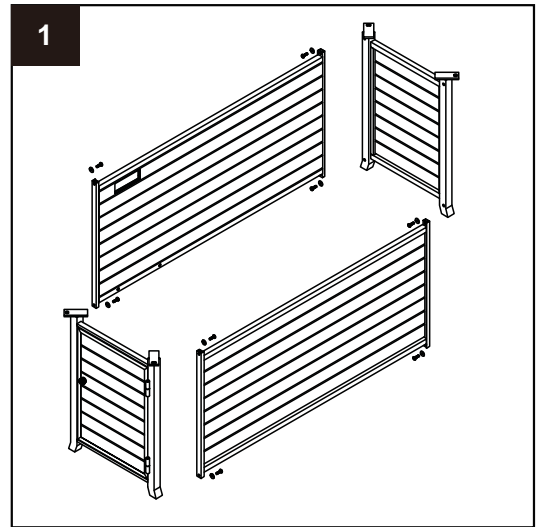
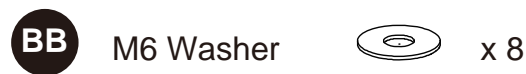
Tools Required for Assembly (not included):

Phillips screwdriver with medium blade, Leak Test Solution

ASSEMBLY

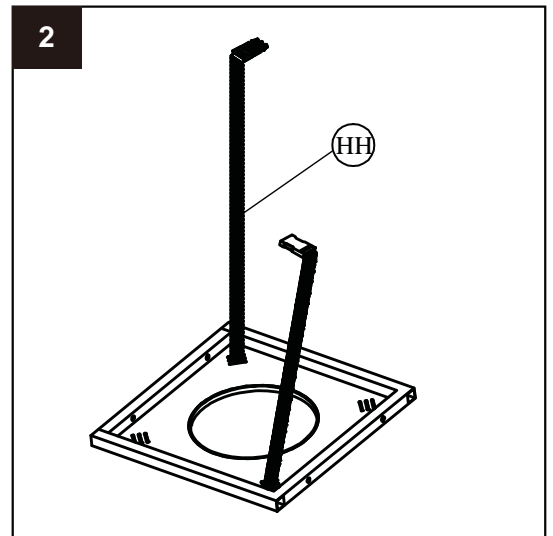
1. Locate B/C/D and Door Panel with Door -F .
Align hole in all panels and insert M6x25 Bolts (AA) ,
through M6 Washer (BB) ,then insert Bolt /Washer through holes .
Loosely tighten with Wrench A (CC) .DO NOT OVERTIGHTEN AS
you will need to adjust the panels to ensure proper alignment
Hardware used

Hardware Used:



NOTE: Right and Left Panels (C/D) marked 1,2 should match the door panel with F marked 1,2

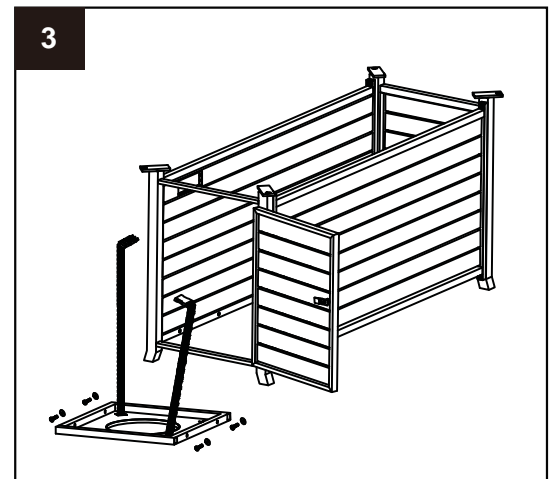
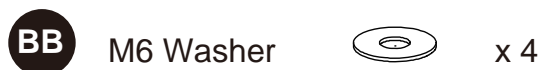
2. Attach Propane Tank Strap (HH) to the bottom plate as show in
Figure 2.



3. Turn the Door Knob, open the Door and attach the Bottom Plate (E)
to the assembled Side Panels/Door Panel using M6x25 Bolts (AA)

Note: Match bottle plate as 3-3,4-4

Hardware Used:



ASSEMBLY

4. Attach the table top (A) to the assembled side panels . Align the holes in the table top (A) with the holes at the top of the assembled side Panels and insert M8 x16 Bolts through M8 Washer (GG) and through holes . Tighten with Wrengh B (HH) Do not overtighten as you will need to adjust the holes to ensure proper alignment .

Hardware Used:

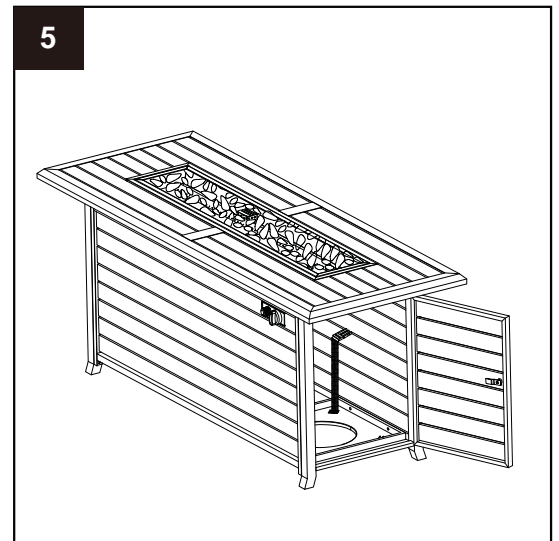
DD M8 x 16 Bolt  x 4

EE Washer  x 4



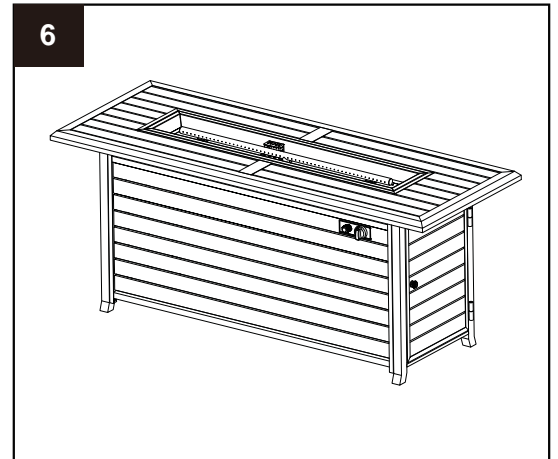
Note: The Control box on the burner Assembly should face towards the D panel with a hole
After complete assembling the fire pit ,please tight all the screws on the fire pit .
Make sure the control knob and ignitor to keep the same line into the left side panel(D).

5. Pour the Fire Glass (II) around the burner)

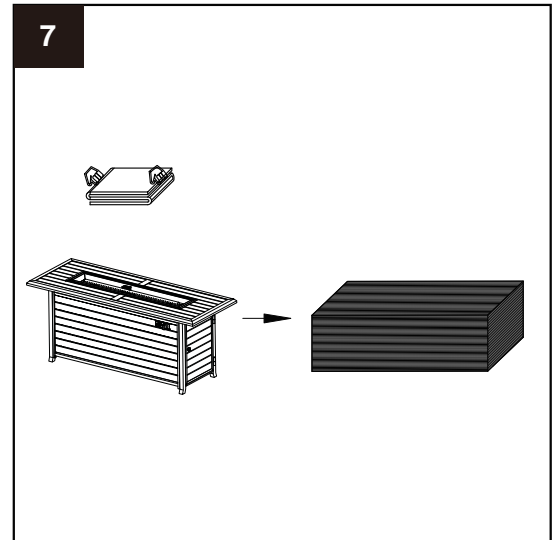


ASSEMBLY

6. Close the door and turn the door knob to hold the door shut .
Fire pit assembly is now complete .
At the bottom of legs ,there are four sadjustable screws ,
Consumer can adjust the screws to a conformation heright .



7. Put the cover on the fire pit when the fire pit is NOT
in use or after use, when the fire pit has cooled down
COMPLETELY

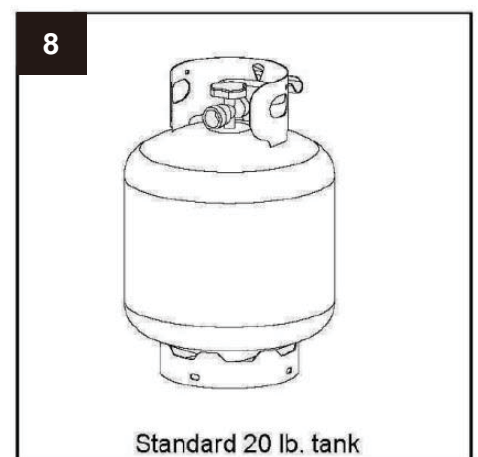


8. Connect hose and regulator to cylinder. The propane gas and cylinder are
sold separately. Use a standard 20 lb. propane cylinder only. Use this fire pit
only with a vapor withdrawal supply system. See Chapter 5 of the standard for
storage and handling of liquefied petroleum gas, ANSI/NFPA 58. Your local
library or fire department should have this book.

Storage of an appliance indoors is permissible only if the cylinder is
disconnected and removed from the appliance. A cylinder must be stored
outdoors in a well-ventilated area out of reach of children. A disconnected
cylinder must have all dust caps tightly installed and must not be stored in a
building, garage or any other enclosed area. The maximum inlet gas supply
pressure: 250 psi. The minimum inlet gas supply pressure: 5 psi.

The minimum hourly rate of 10000 Btu is required input rating for a fire pit
for automatic operation at rating less than full input rating.

The pressure regulator and hose supplied with the appliance must be used.
The installation must confirm with local codes or in the absence of local codes,
with national fuel gas code, ANSI Z223.1/NFPA54, natural gas and propane
Installation Code, CSA B149.1, or propane storage and handling code, B149.2.



ASSEMBLY

A dented, rusted or damaged propane cylinder may be hazardous and should be checked by your cylinder supplier. Never use a propane cylinder with a damaged valve connection.

The propane cylinder must be constructed and marked in accordance with the specifications for LP gas cylinders of the U.S. Department of Transportation (DOT) or the standard for cylinders, spheres and tubes for transportation of dangerous goods and commission, CAN/CSA-B339.

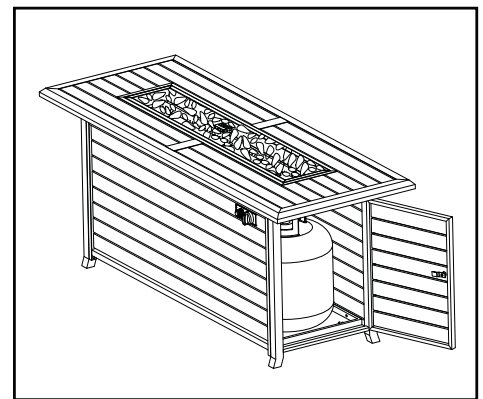
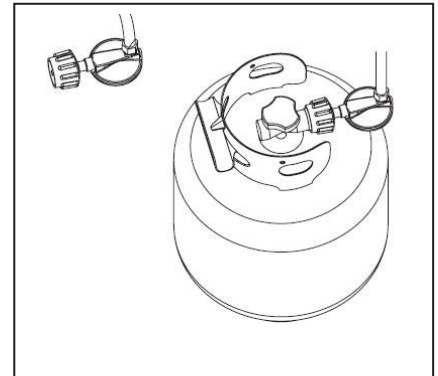
The cylinder must have a listed overfilling prevention device.

The cylinder must have a connection device compatible with the connection for the appliance.

The cylinder used must include a collar to protect the cylinder valve.

Never connect an unregulated propane cylinder to the appliance.

Attach regulator to cylinder. Complete attachment. Install cylinder.



- Do not store a spare LP-gas cylinder under or near this appliance;
- Never fill the cylinder beyond 80 percent full;
- Place the dust cap on the cylinder valve outlet whenever the cylinder is not in use. Only install the type of dust cap on the cylinder valve that is provided with the cylinder valve. Other type of caps or plugs may result in leakage of propane.

- **ATTENTION:** THIS PRODUCT IS NOT FOR COMMERCIAL USE INTENDED FOR RESIDENTIAL USE ONLY.

Do not sit or stand on this fire pit table.

Keep children away during assembly, as this item contains small parts which can be swallowed by children.

Do not use indoors or inside any enclosure.

Retain the assembly instructions for future reference.

Installer – Please leave these instructions with the owner.

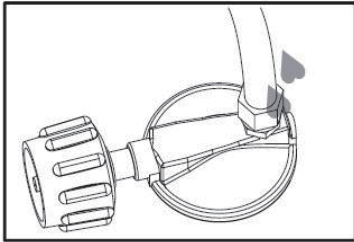
OPERATION INSTRUCTIONS

Leak Test

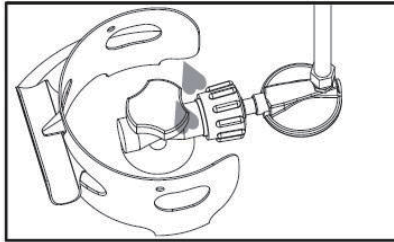


WARNING

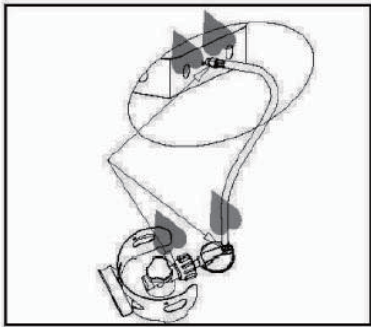
- Perform all tests outdoors.
- Extinguish all open flames.
- NEVER leak test when smoking.
- Do not use the fire pit until all connections have been leak tested and do not leak.



Hose/Regulator
Connection



Regulator/Cylinder
Connection



1. Make 2-3 oz. of leak test solution (one part liquid dishwashing detergent and three parts water).
2. Apply several drops of solution where hose attaches to regulator.
3. Apply several drops of solution where regulator connects to cylinder.
4. Make sure all fire pit and light valves are OFF.
5. Turn cylinder valve ON.

If bubbles appear at any connection, there is a leak.

1. Turn cylinder valve OFF.
2. If leak is at hose/regulator connection: tighten connection and perform another leak test. If bubbles continue appearing, the hose should be returned to the place of purchase.
3. If leak is at regulator/cylinder valve connection: disconnect, reconnect, and perform another leak test. If you continue to see bubbles after several attempts, cylinder valve is defective and should be returned to cylinder place of purchase.

If NO bubbles appear at any connection, the connections are secure.

NOTE: Whenever gas connections are loosened or removed, you must perform a complete leak test.
Complete installation.

OPERATION INSTRUCTIONS



DANGER

CARBON MONOXIDE HAZARD

For outdoor use only. Never use inside house, or other unventilated or enclosed areas. This fire pit consumes air (oxygen). Do not use in an unventilated or enclosed areas to avoid endangering your life.



WARNING

VERY HOT WHILE IN OPERATION

Never lean over the fire pit while in use. Do not touch surfaces while the fire pit is in operation. Wait until the fire pit has completely cooled down after use. Failure to comply with these instructions may result in serious bodily injury.

Caution: Do not attempt to operate until you have read and understand all General Safety Information in this manual and all assembly is complete and leak checks have been performed.

Before Turning Gas Supply ON:

1. Your fire pit was designed and approved for outdoor use only. Do NOT use it inside a building, garage, or any other enclosed area.
2. Make sure surrounding areas are free of combustible materials, gasoline, and other flammable vapors or liquids.
3. Ensure that there is no obstruction to air ventilation. Be sure all gas connections are tight and there are no leaks.
4. Be sure the cylinder cover is clear of debris. Be sure any component removed during assembly or servicing is replaced and fastened prior to starting.

Before Lighting:

1. Fire pit should be thoroughly inspected before each use, and by a qualified service person at least annually. If relighting a hot fire pit, always wait at least 5 minutes.
2. Inspect the hose assembly for evidence of excessive abrasion, cuts, or wear. Suspected areas should be leak tested. If the hose leaks, it must be replaced prior to operation. Only use the replacement hose assembly specified by manufacturer. The burner must be replaced prior to the appliance being put into operation if it is evident that the burner is damaged. The replacement burner should be specified by manufacturer.

Lighting:

- 1) Make sure the control knob is in the "OFF" position (Figure A).
- 2) Fully open LP cylinder valve.

Note: For initial start or after any cylinder change, hold Control Knob IN for 2 minutes to purge air from gas lines before proceeding.

- 3) Push in gas control knob, turn counterclockwise to "LOW" (Figure B), and press the RED Ignitor button to light the fire pit. If needed, keep the control knob depressed and continue pressing the RED Ignitor button until the fire pit lights (you should hear a clicking sound).
- 4) After the fire pit lights, release control knob. To increase the flame, turn the control knob counterclockwise to "HIGH" (Figure C). To decrease the flame, turn the control knob clockwise to "LOW".

Note: If burner fails to remain lit, all valves should be closed and a waiting period of at least 5 minutes should pass before attempting to light.

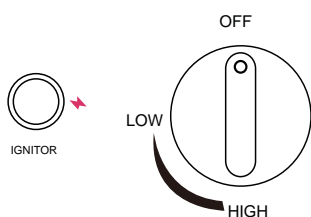


Figure A

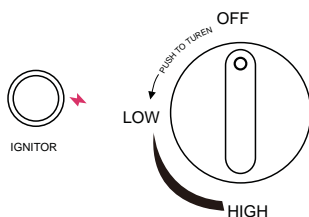


Figure B

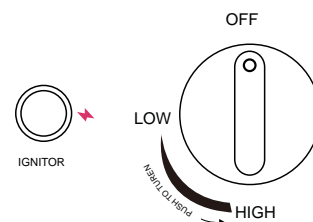


Figure C

OPERATION INSTRUCTIONS



WARNING

FOR YOUR SAFETY

Be careful when attempting to manually ignite this fire pit. Holding in the control knob for more than 10 seconds before igniting the gas will cause a ball of flame upon ignition.

Re-lighting:

1. Turn control knob to OFF.
2. Repeat the "Lighting" steps on prior page.



WARNING

FOR YOUR SAFETY

Fire pit will be hot after use. Handle with extreme care.

Shut Down:

1. To extinguish burner depress control knob and continue to turn it clockwise to OFF.
2. Turn cylinder valve clockwise to OFF and disconnect regulator when fire pit is not in use.

CARE AND MAINTENANCE



WARNING

FOR YOUR SAFETY

Do not touch or move fire pit for at least 45 minutes after use.

Fire pit is hot to the touch.

Allow fire pit to cool before touching.

To enjoy years of outstanding performance from your fire pit, make sure you perform the following maintenance activities on a regular basis:

Keep exterior surfaces clean.

1. Use warm soapy water for cleaning. Never use flammable or corrosive cleaning agents.

2. While cleaning your unit, be sure to keep the area around the burner dry at all times. Do not submerge the control valve assembly. If the gas control is submerged in water, do NOT use it. It must be replaced.

a. Keep the appliance area clear and free from combustible materials, gasoline and other flammable vapors and liquids.

b. Do not obstruct the flow of combustion and ventilation air.

c. Keep the ventilation opening of the cylinder enclosure free and clear from debris.

3. Air flow must be unobstructed. Keep controls, burner, and circulating air passageways clean. Signs of possible blockage include:

CARE AND MAINTENANCE

- Gas odor with extreme yellow tipping of flame.
- Fire pit does NOT reach the desired temperature.
- Fire pit glow is excessively uneven.
- Fire pit makes popping noises.
- Spiders and insects can nest in burner or orifices. This dangerous condition can damage fire pit and render it unsafe for use. Clean burner holes by using a heavy-duty pipe cleaner. Compressed air may help clear away smaller particles.
- Carbon deposits may create a fire hazard. Clean burner with warm soapy water if any carbon deposits develop.

Note: In a salt-air environment (such as near an ocean), corrosion occurs more quickly than normal. Frequently check for corroded areas and repair them promptly.

Storage

- Between uses:
- Turn Control Knob OFF.
- Disconnect LP source.
- Store fire pit in an area sheltered from direct contact with inclement weather (such as rain, sleet, hail, snow, dust and debris).
- If desired, cover fire pit to protect exterior surfaces and to help prevent build-up in air passages.

Note: Wait until fire pit is cool before covering.

During periods of extended inactivity or when transporting :

- Turn Control Knob OFF.
- Disconnect LP source and move to a secure, well-ventilated location outdoors.
- Store fire pit in an area sheltered from direct contact with inclement weather (such as rain, sleet, hail, snow, dust and debris).
- If desired, cover fire pit to protect exterior surfaces and to help prevent build-up in air passages.
- Never leave LP cylinder exposed to direct sunlight or excessive heat.

Note: Wait until fire pit is cool before covering.

TROUBLESHOOTING

PROBLEM	POSSIBLE CAUSE	CORRECTIVE ACTION
Burner won't light	Propane cylinder is empty	Replace propane cylinder
	Blockage in orifice	Clear blockage
	Control knob is not in ON position	Turn control knob to ON
Burner flame is low	Gas pressure is low	Turn cylinder valve OFF and re-fill the cylinder
	Outdoor temperature is less than 40°F and tank is less than ¼ full	Use a full cylinder
	Control knob fully on	Check burner and orifices for blockage
Carbon build-up	Dirt or film on burner	Clean burner
Thick black smoke	Blockage in burner	Remove blockage and clean burner inside and outside