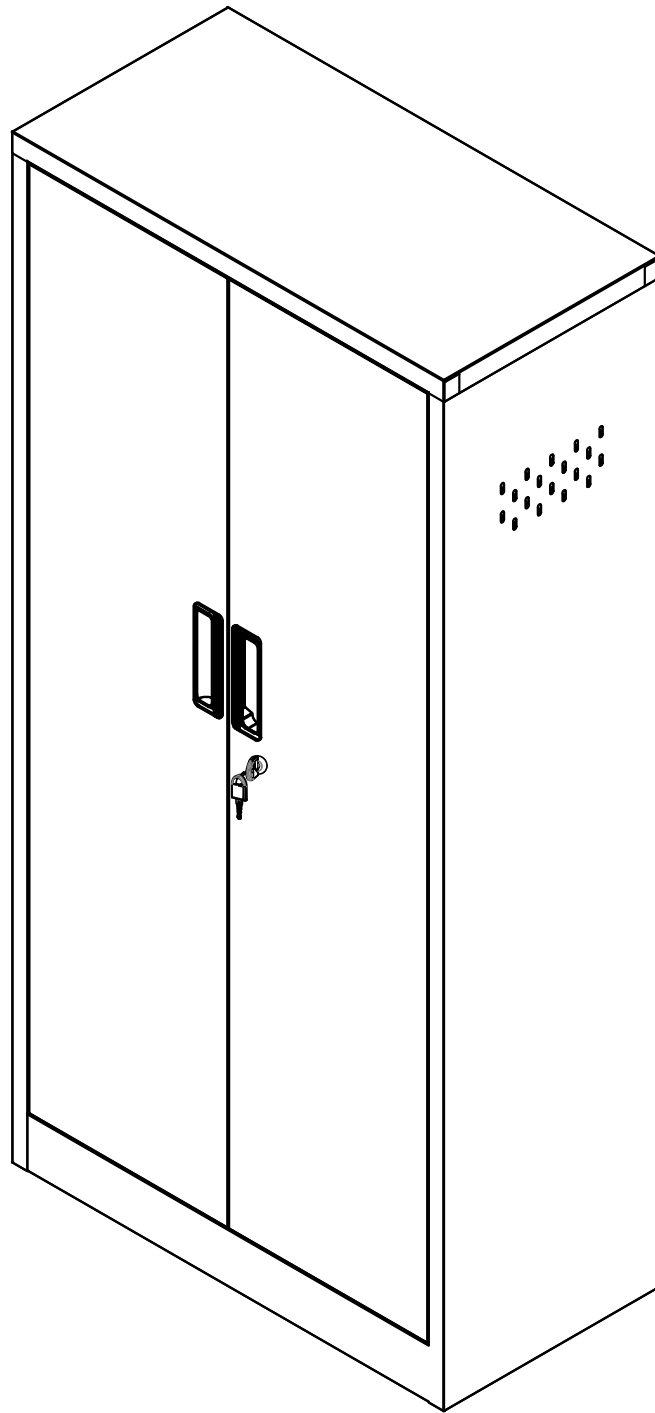
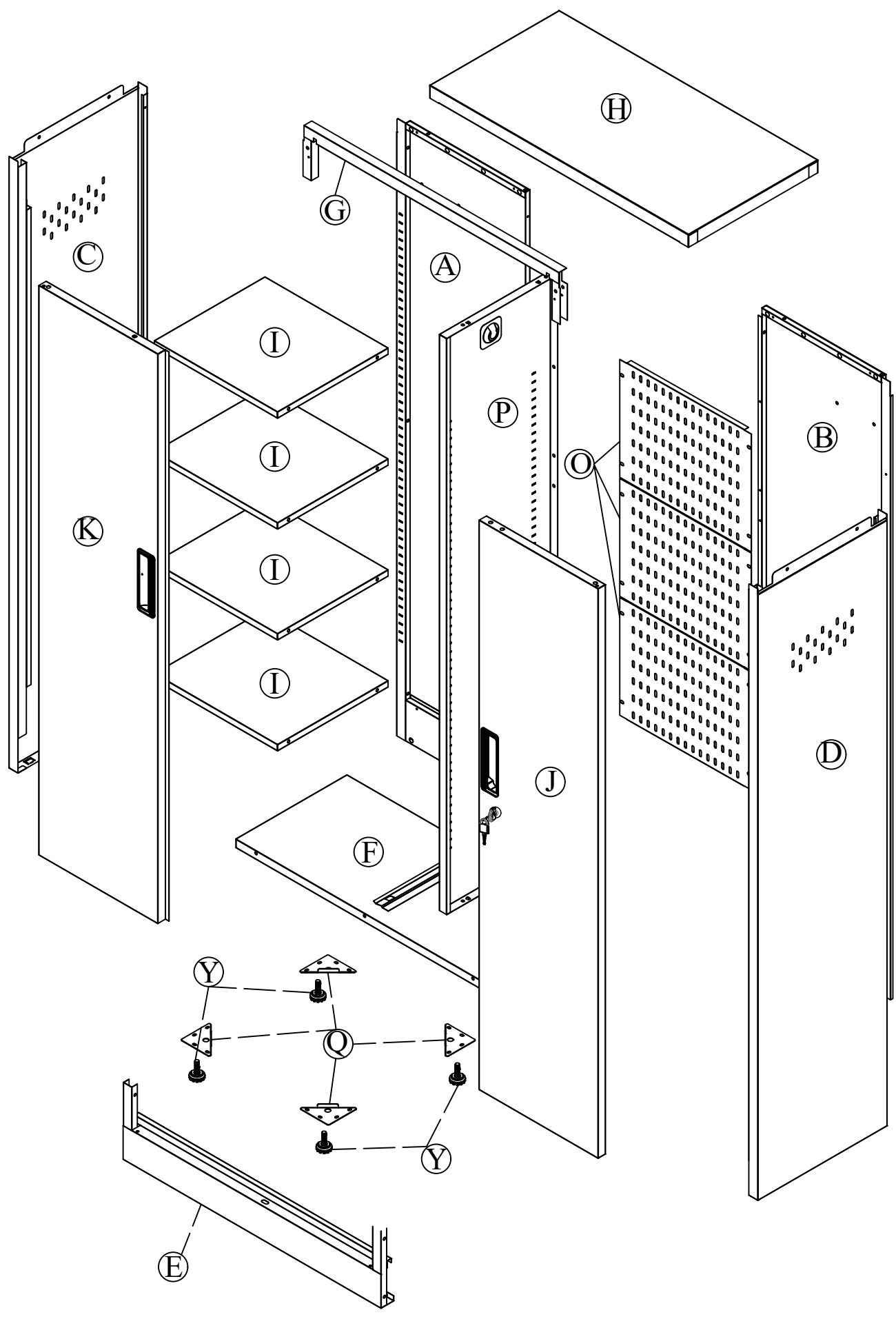

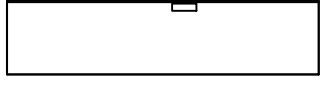
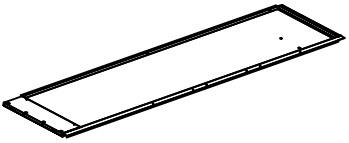
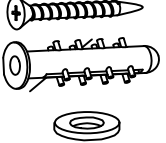



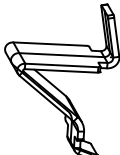
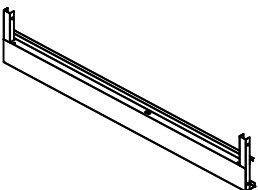
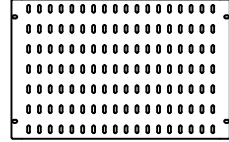
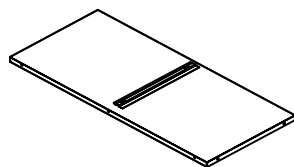

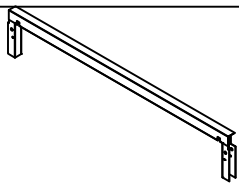

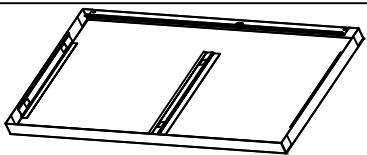
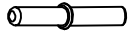
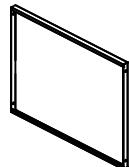

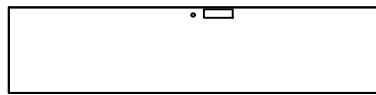



Assembly Instructions



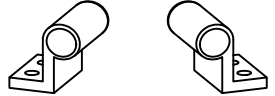
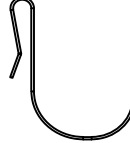
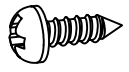


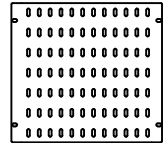

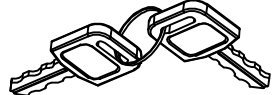





Accessories

Name		Picture	QTY	Name		Picture	QTY
A	Left Back Panel		1	K	Left Door		1
B	Right Back Panel		1	L	Expansion Screw		2
C	Left Side Panel		1	M	13/32 " Screw		60
D	Right Side Panel		1	N	Shelf Clasp		16
E	Kick Plate		1	O	Pegboard		3
F	Bottom Panel		1	P	Middle Plate		1
G	Top Rail		1	Q	Gasket		4
H	Top Panel		1	R	Door Pivot Pin		2
I	Shelf		4	S	Shim		4
J	Right Door		1	T	Magnet		4

Accessories

Name		Picture	QTY	Name		Picture	QTY
U	Towel Rail		2	Y	Foot		4
V	Pedestal		2	AA	Hook		10
W	M3 * 8 Screw		8	BB	Peg		3
X	Hanging Rod		1	CC	Pegboard		2
Lock				Already pre-installed on the right door J			
Key				Already attached on right door J			
Spring Shaft				Already pre-installed on the doors			

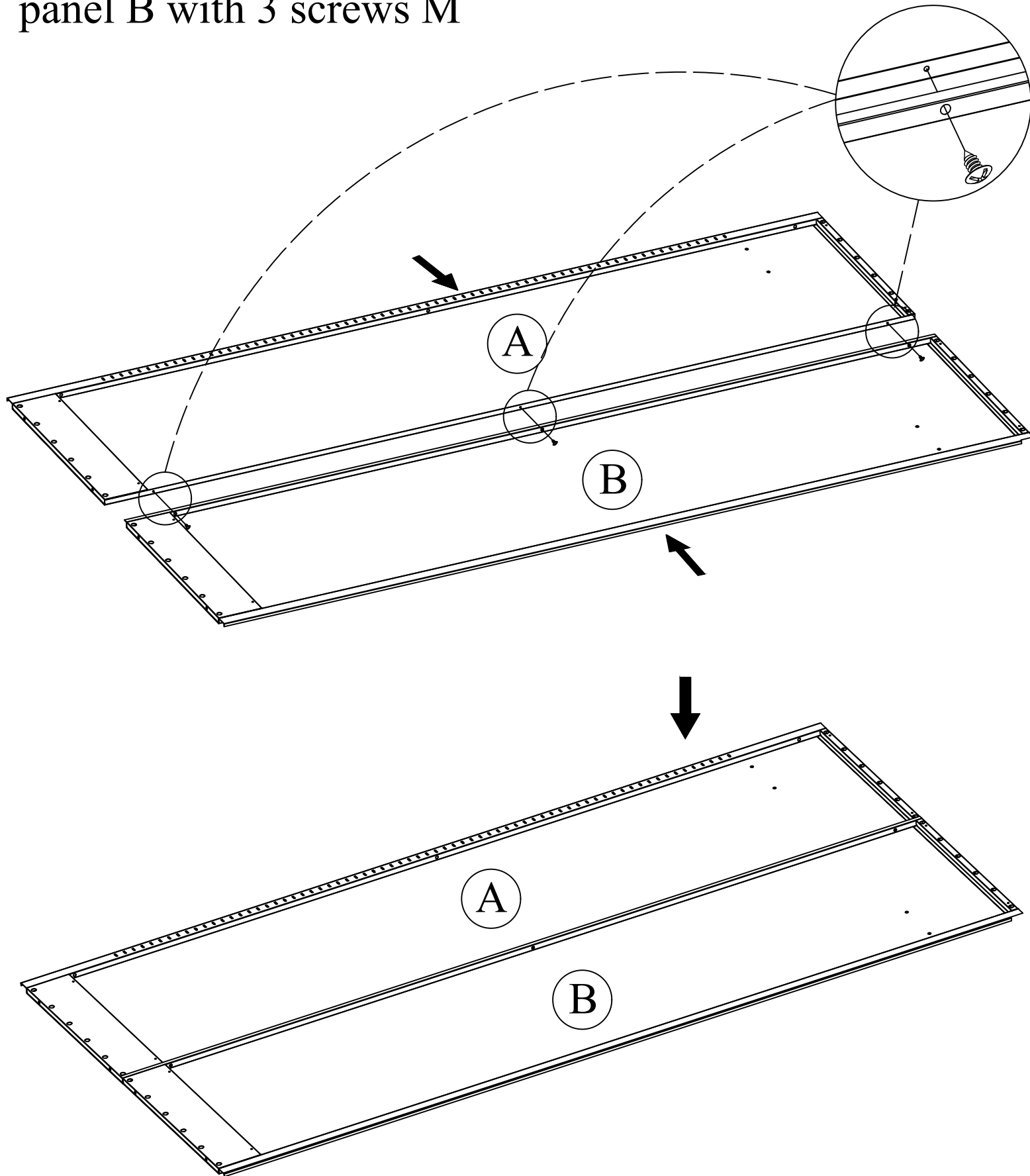
 CAUTION
An assistant is required

CUSTOMER FIRST, SERVICE FOREMOST!
 Questions? Issues?
CONTACT US
 REPLY WITHIN 24 HOURS IN BUSINESS DAYS

Step 1

Ⓜ  × 3

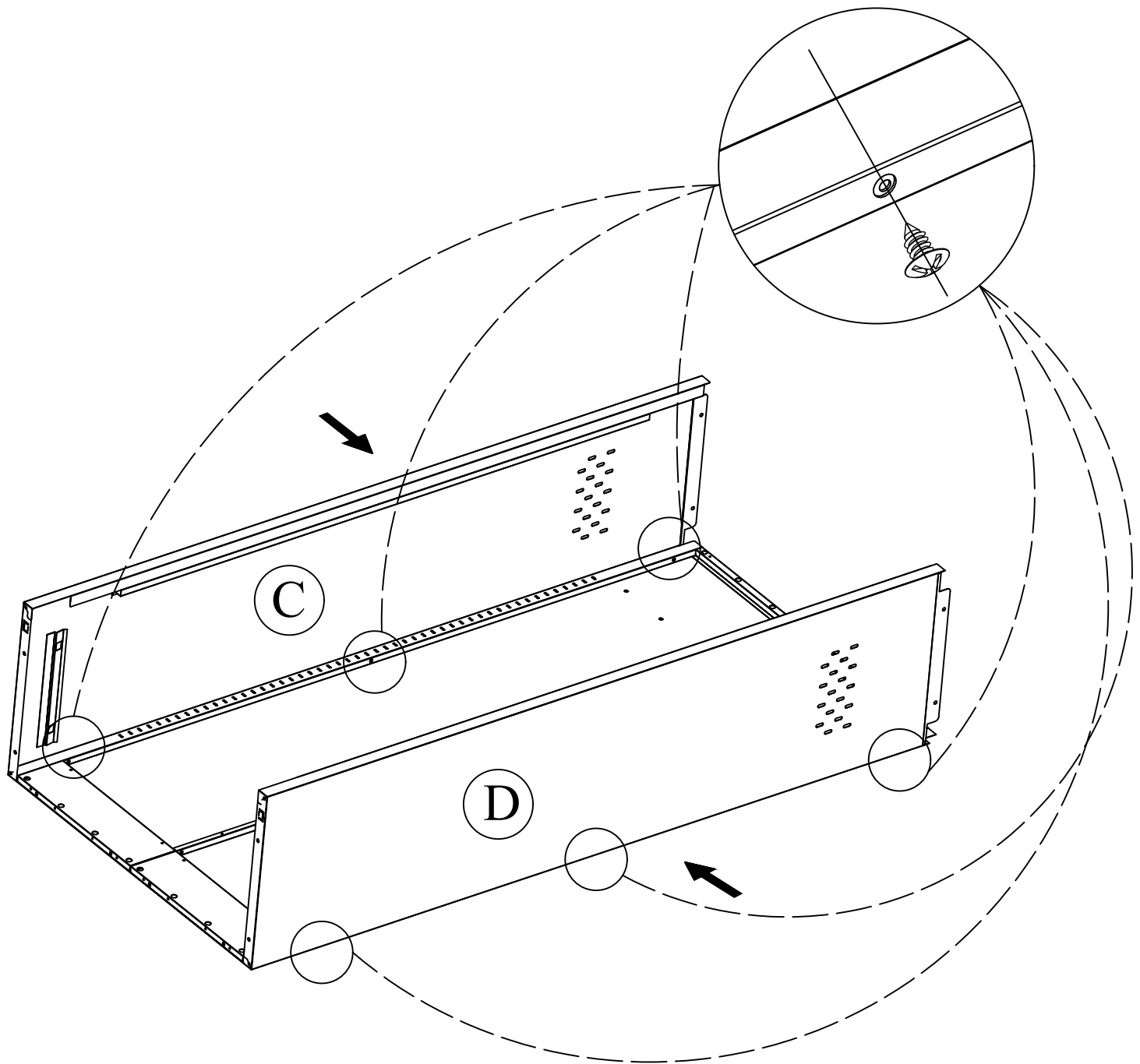
Connect left back panel A and right back panel B with 3 screws M



Step 2

Ⓜ  × 6

Connect left side panel C and right side panel D
with back panels by 6 screws M

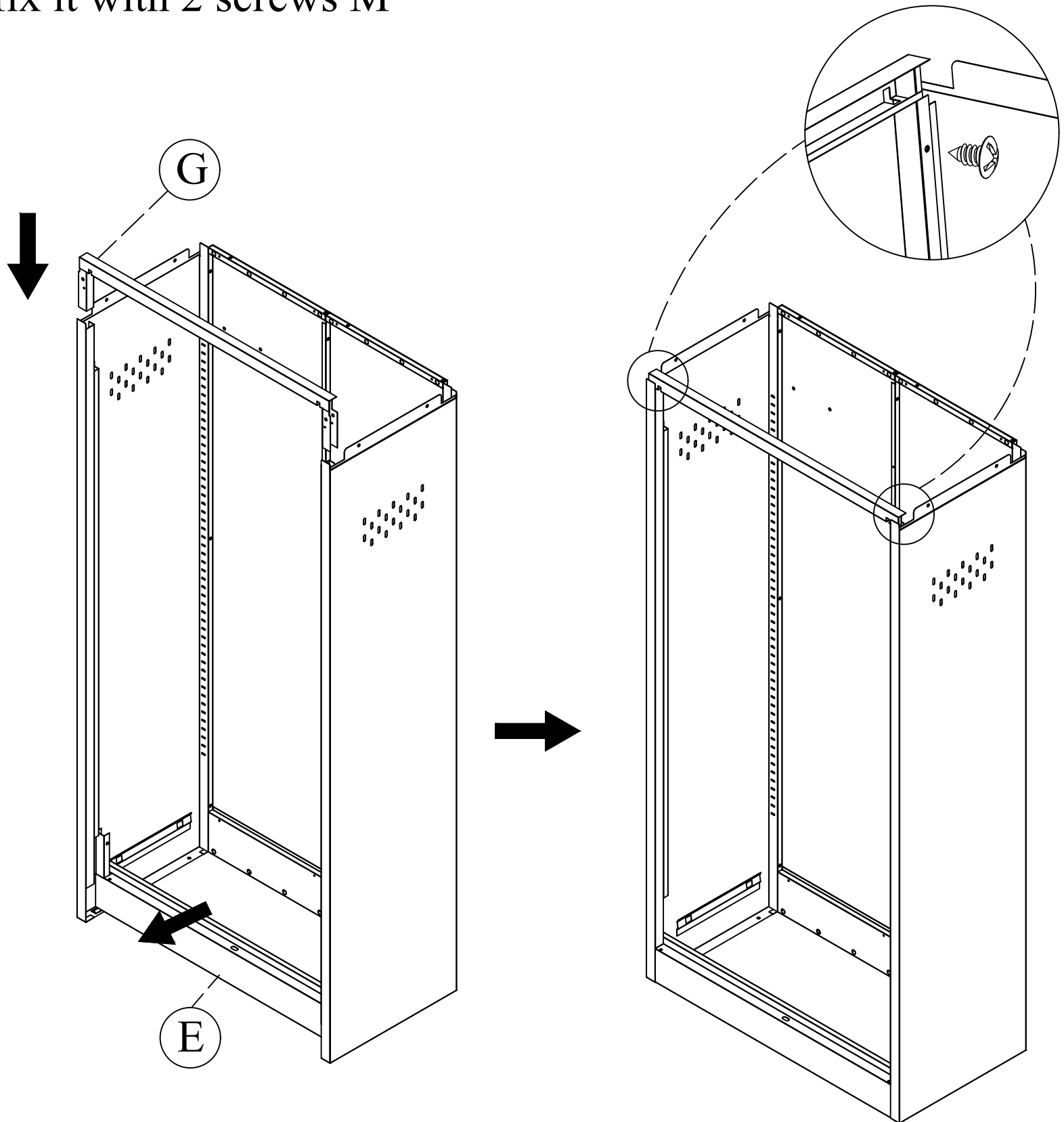


Step 3

Insert kick plate E into the cabinet and push it forward to snugly fit it with side panels

Ⓜ  × 2

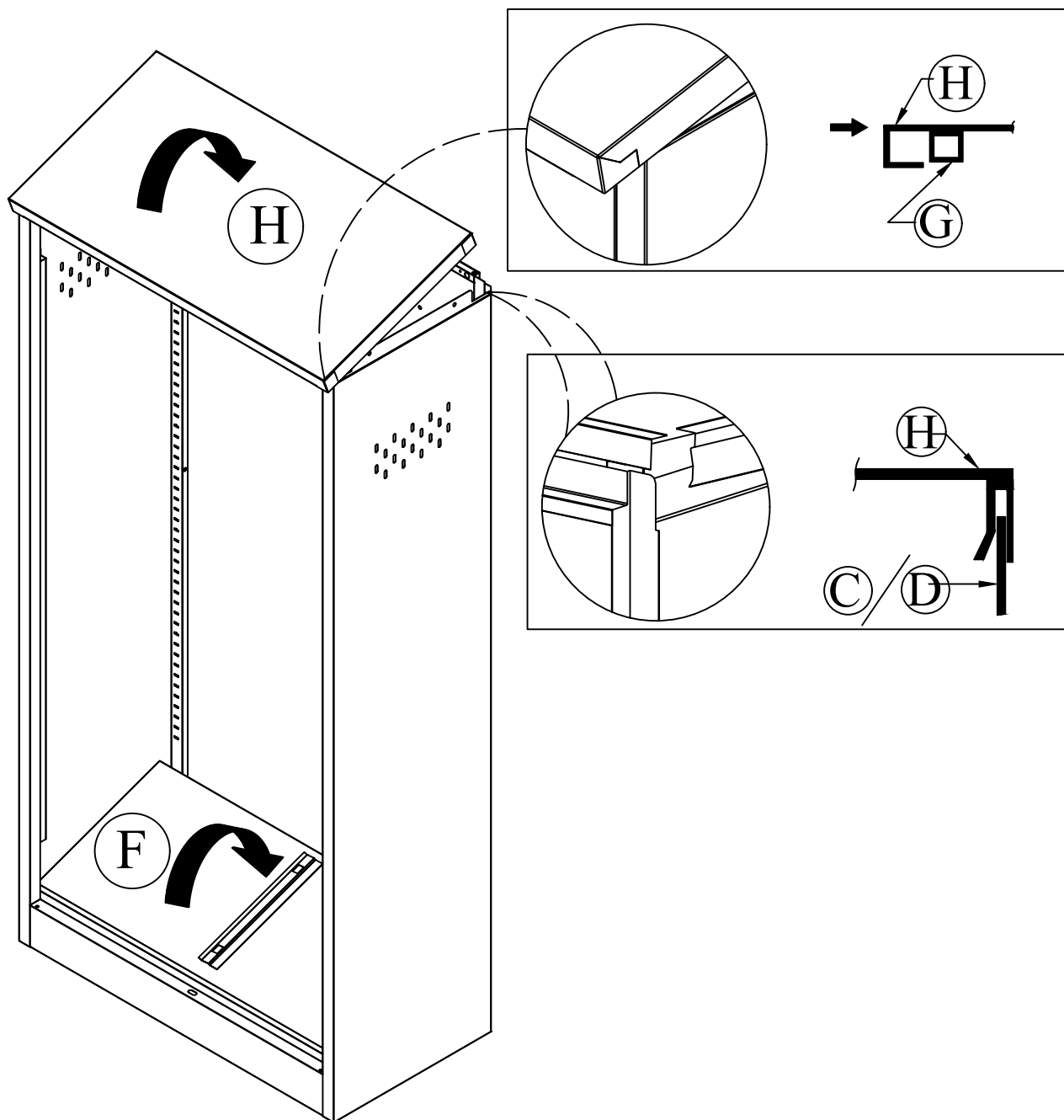
Insert top rail G into the slots of side panels and fix it with 2 screws M



Step 4

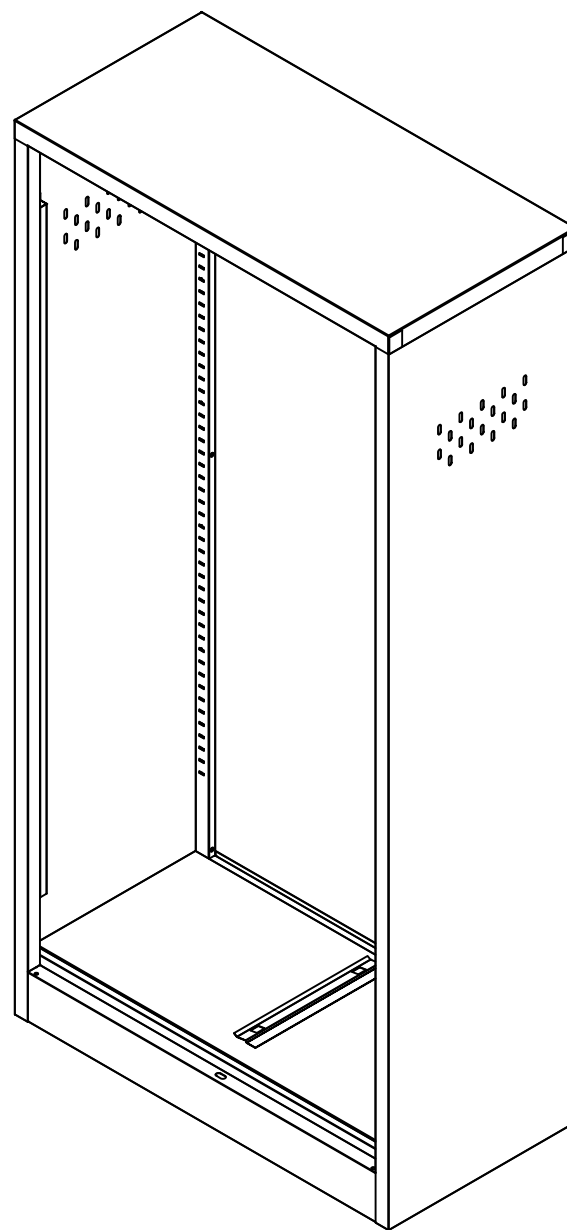
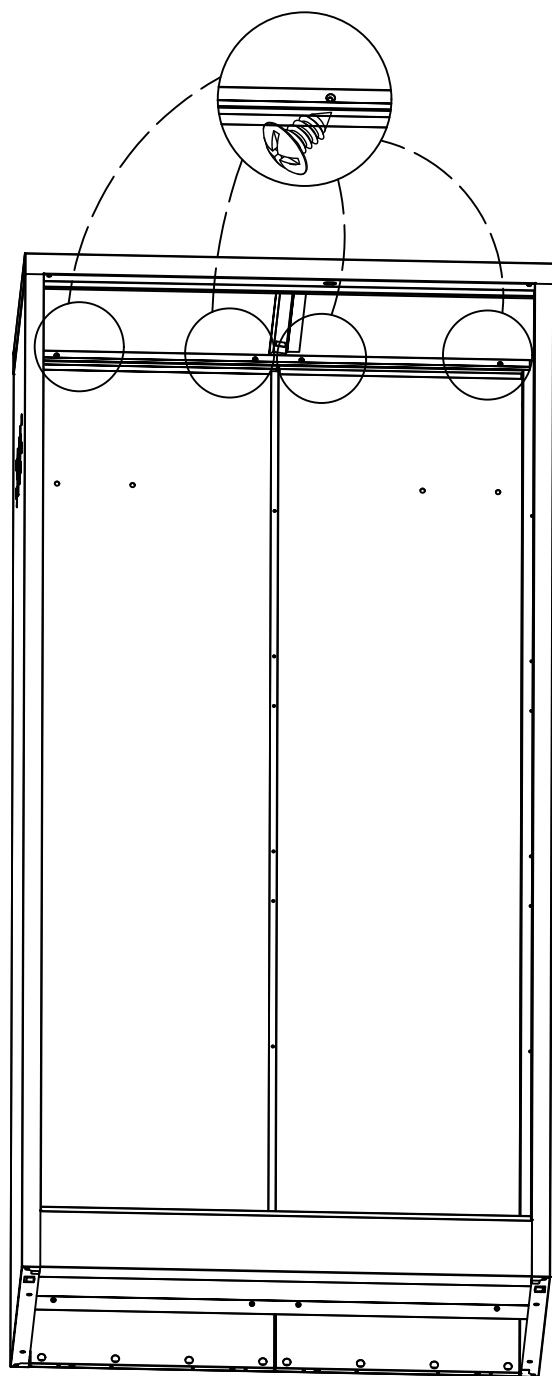
Tilt the front of bottom panel F into the cabinet, then press the back of bottom panel down

Ensure that the top rail G is included in the front of top panel H first, then press the top panel down (Ensure that the side panels and back panels are included in the top panel H)



Step 5

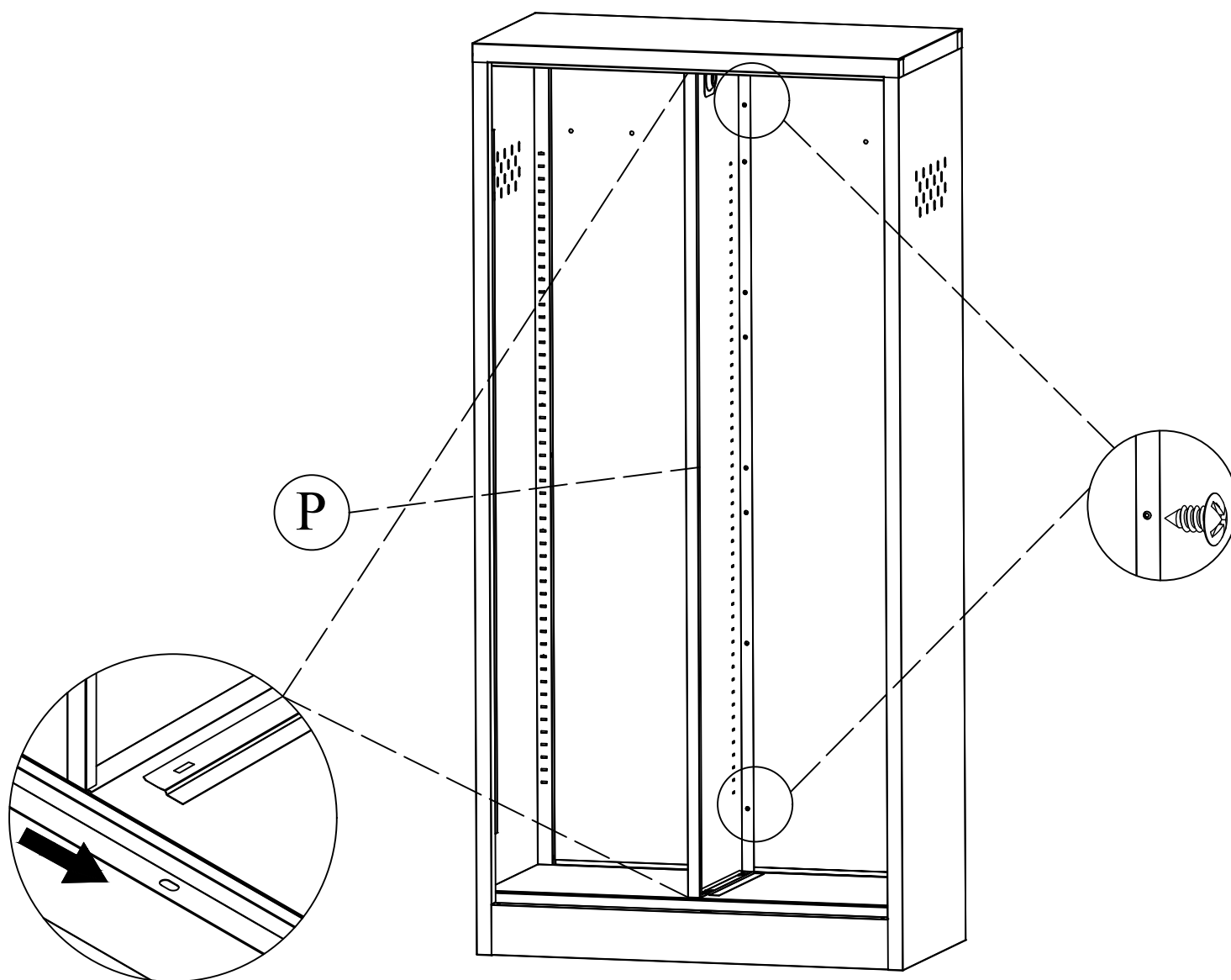
Fix the top panel H with back panels by 4 screws M



Step 6

Insert the bottom of middle plate P into the bracket on bottom panel and fix it with right back panel by 2 screws M

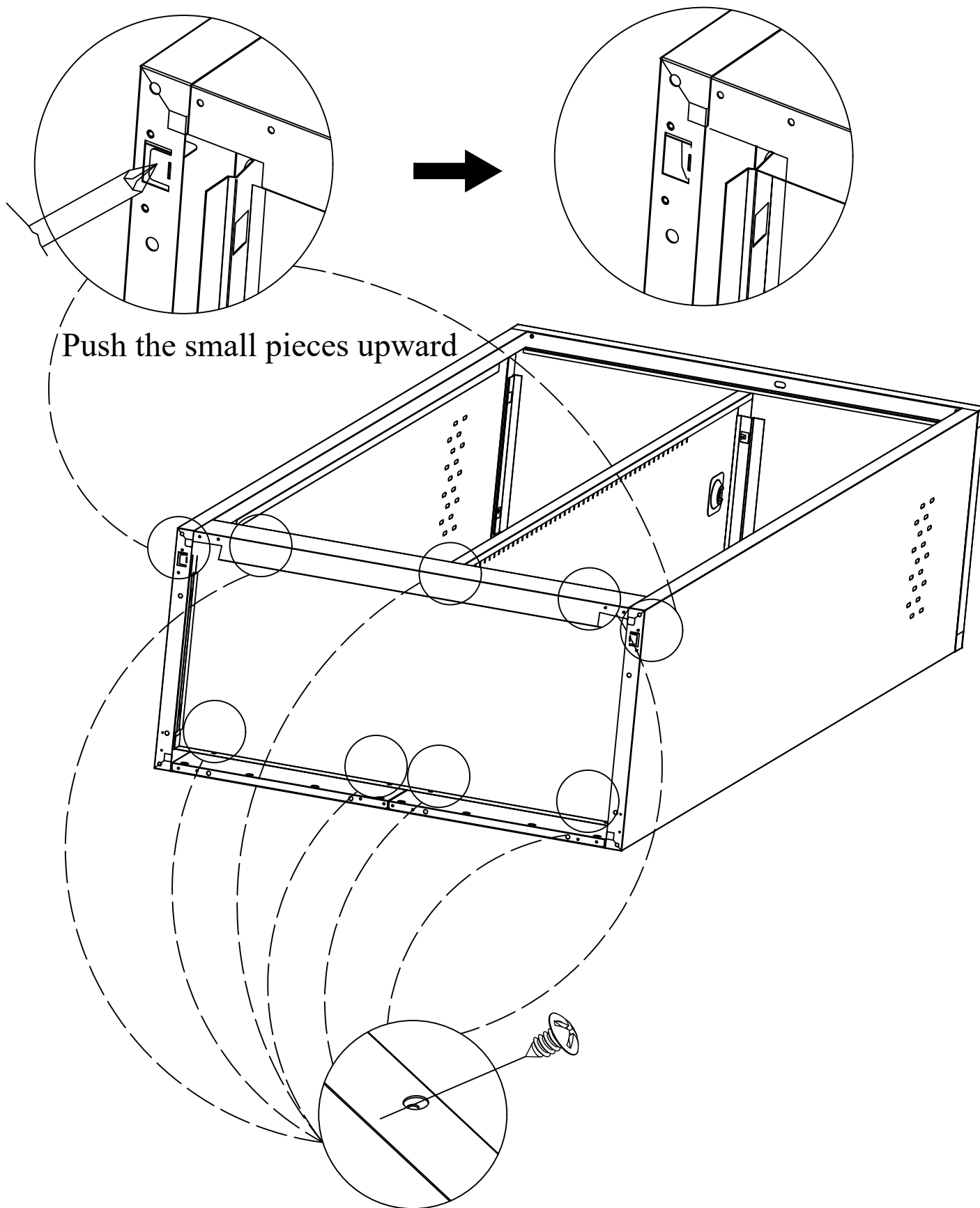
Ⓜ  × 2



Step 7

Put the cabinet down and fix the bottom panel with other parts by 7 screws M

Ⓜ  × 7

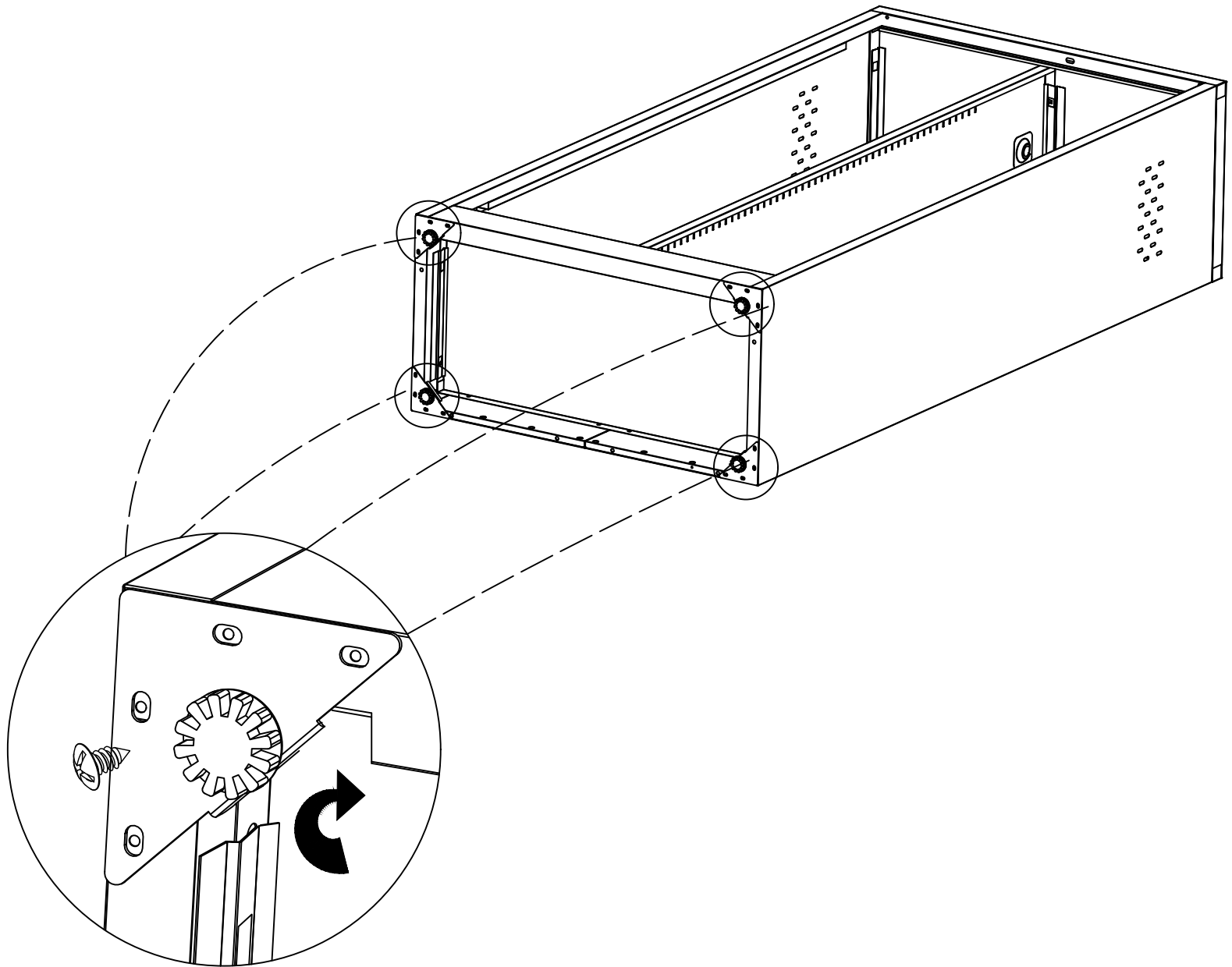
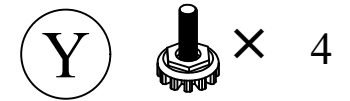


Step 8

Install 4 gaskets Q at the 4 bottom corners of the cabinet with 16 screws M



Rotate and install 4 feet Y on the gaskets

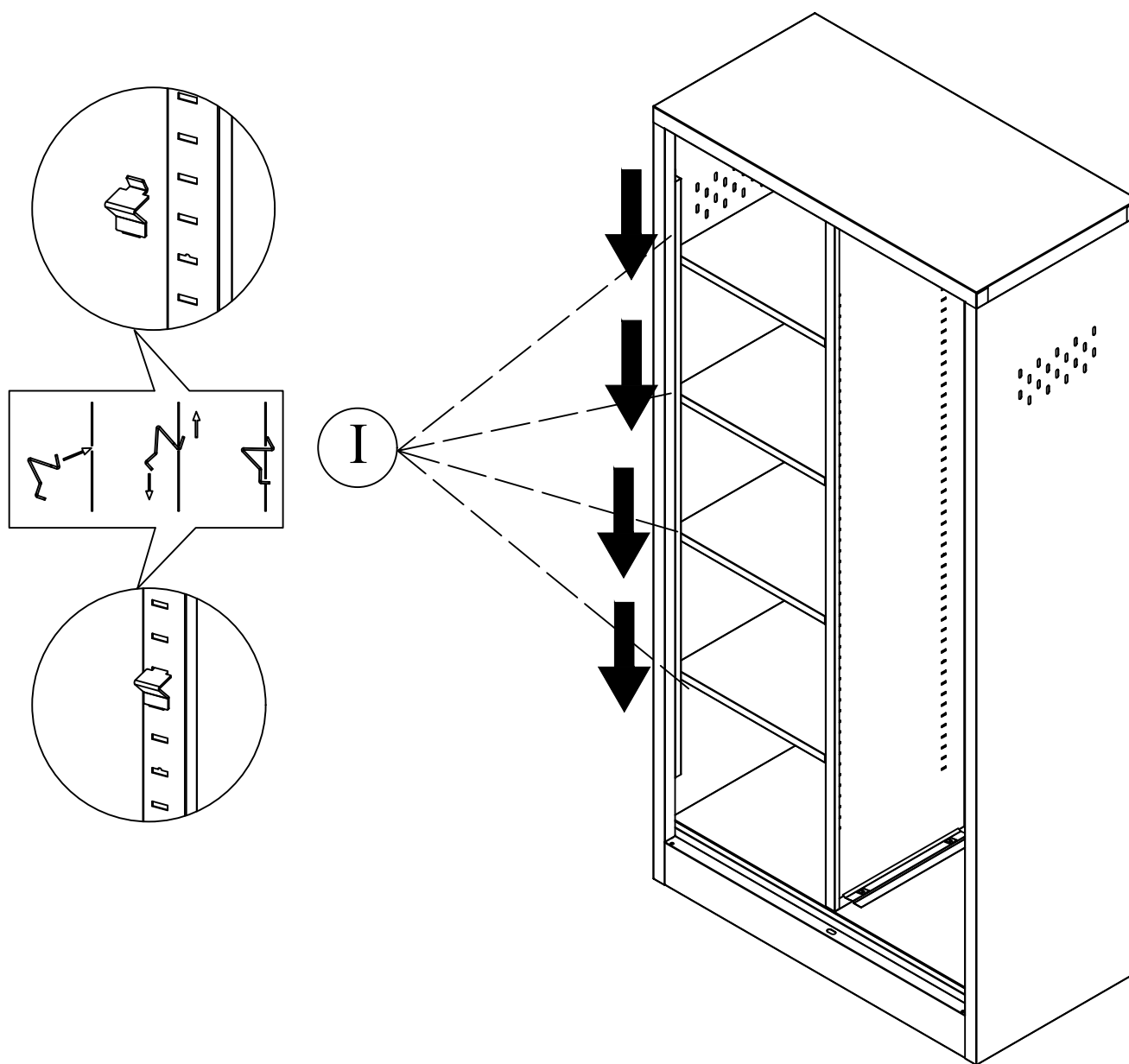


Tips: If the ground is uneven, you can rotate the feet to adjust, which will solve the problem of the door not being easy to open or close.

Step 9

(N)  × 16

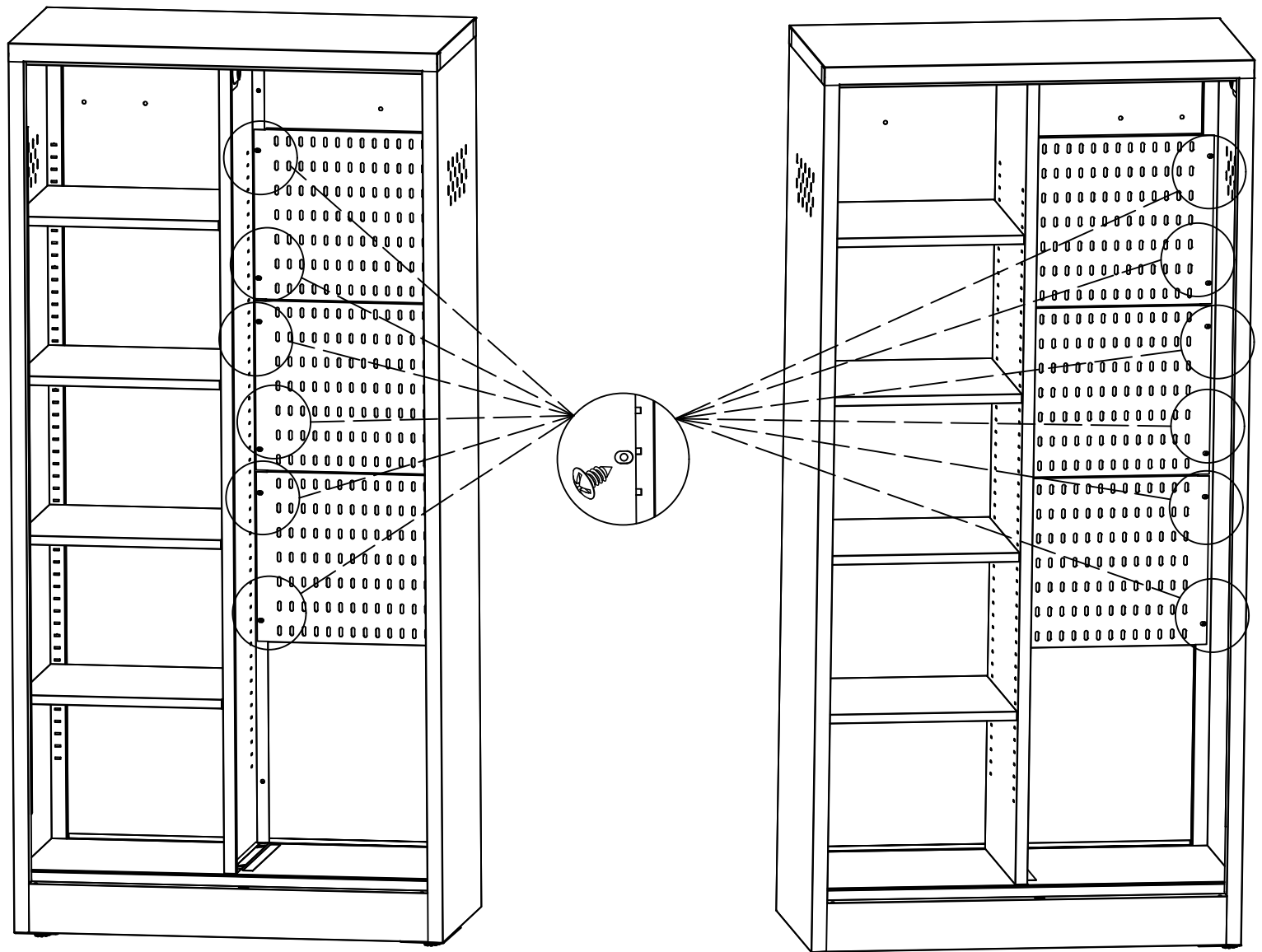
Install 16 shelf clasps N and put 4 shelves I on them (Ensure that the 4 clasps for 1 shelf are at the same level)



Step 10


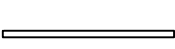

Ⓜ  × 12

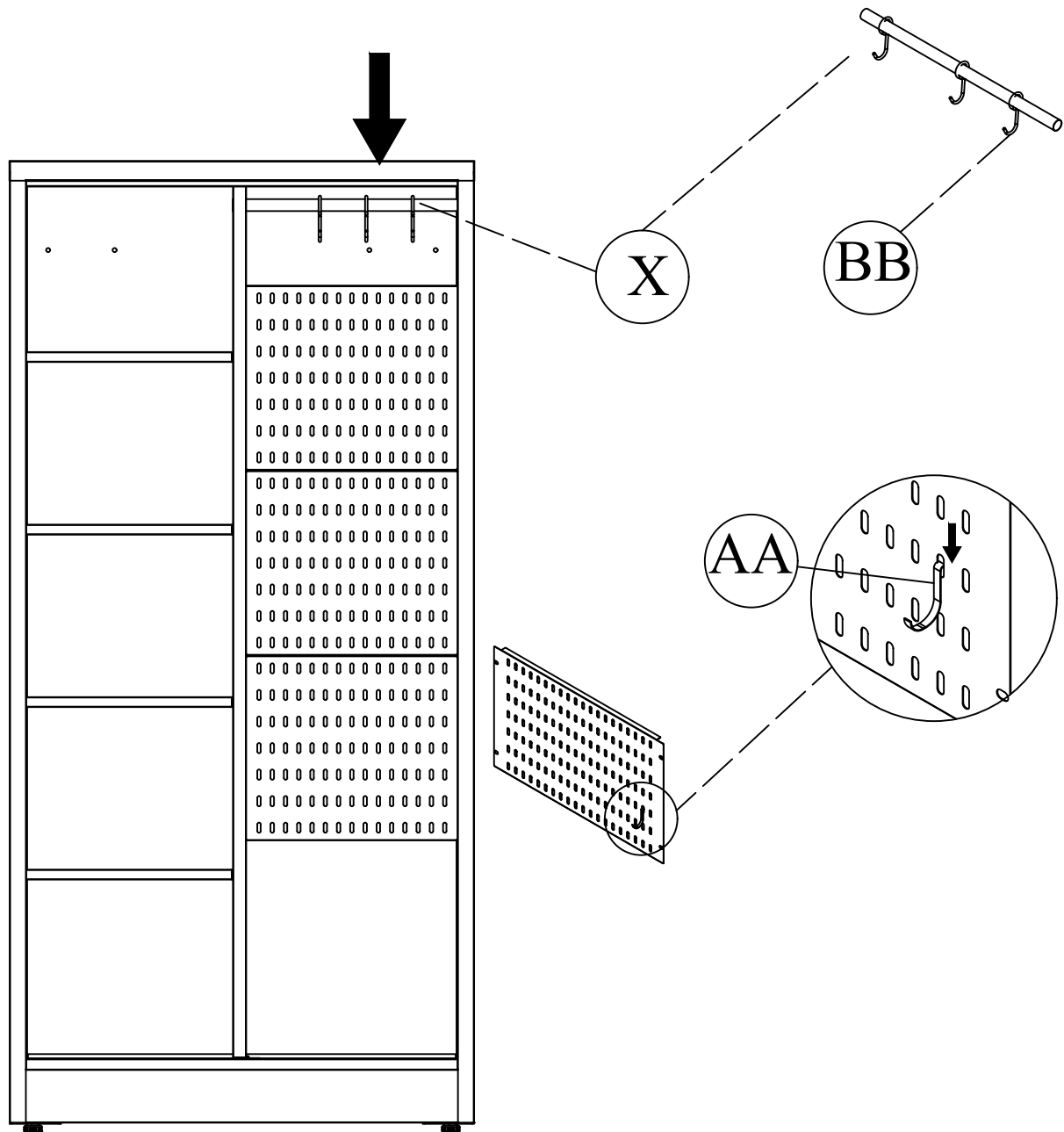
Fix 3 pegboards O with middle plate P and right side panel D by 12 screws M



Step 11

Hang the pegs BB on the hanging rod X
Install the hanging rod X on the top
Hang the hooks AA on the pegboards O



- ⊙ AA  × 6
- ⊙ X  × 1
- ⊙ BB  × 3




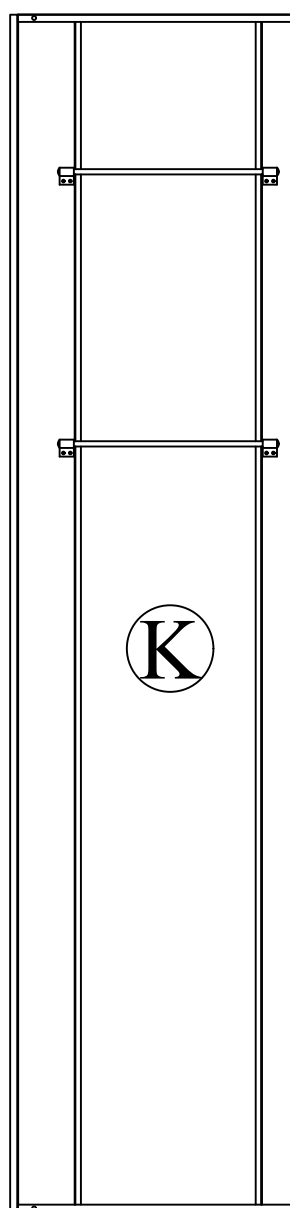
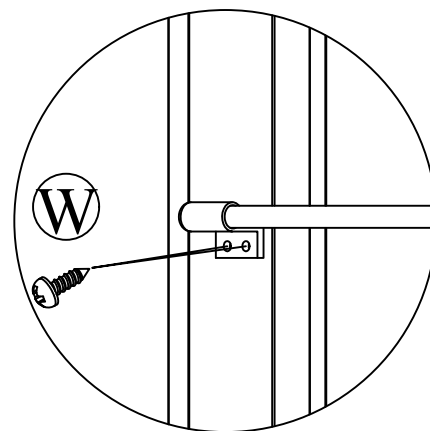
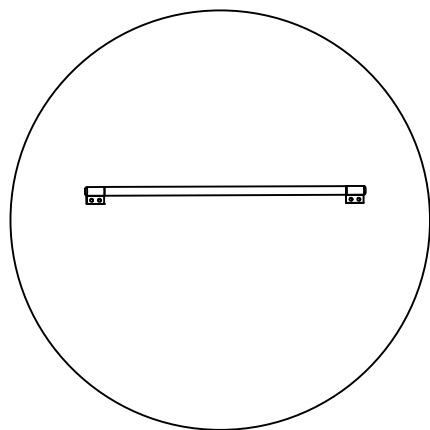
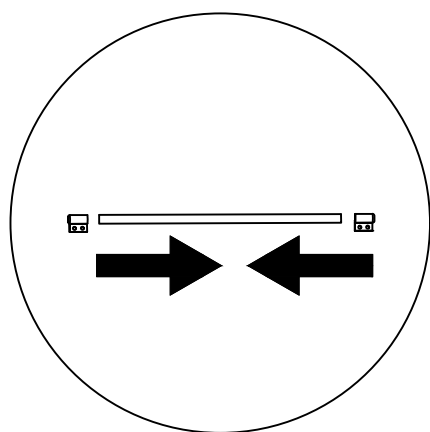
Step 12

Insert the both ends of towel rails U into the pedestals V, then fix 4 pedestals on the left door K with 8 screws W

U — × 2

V   × 2

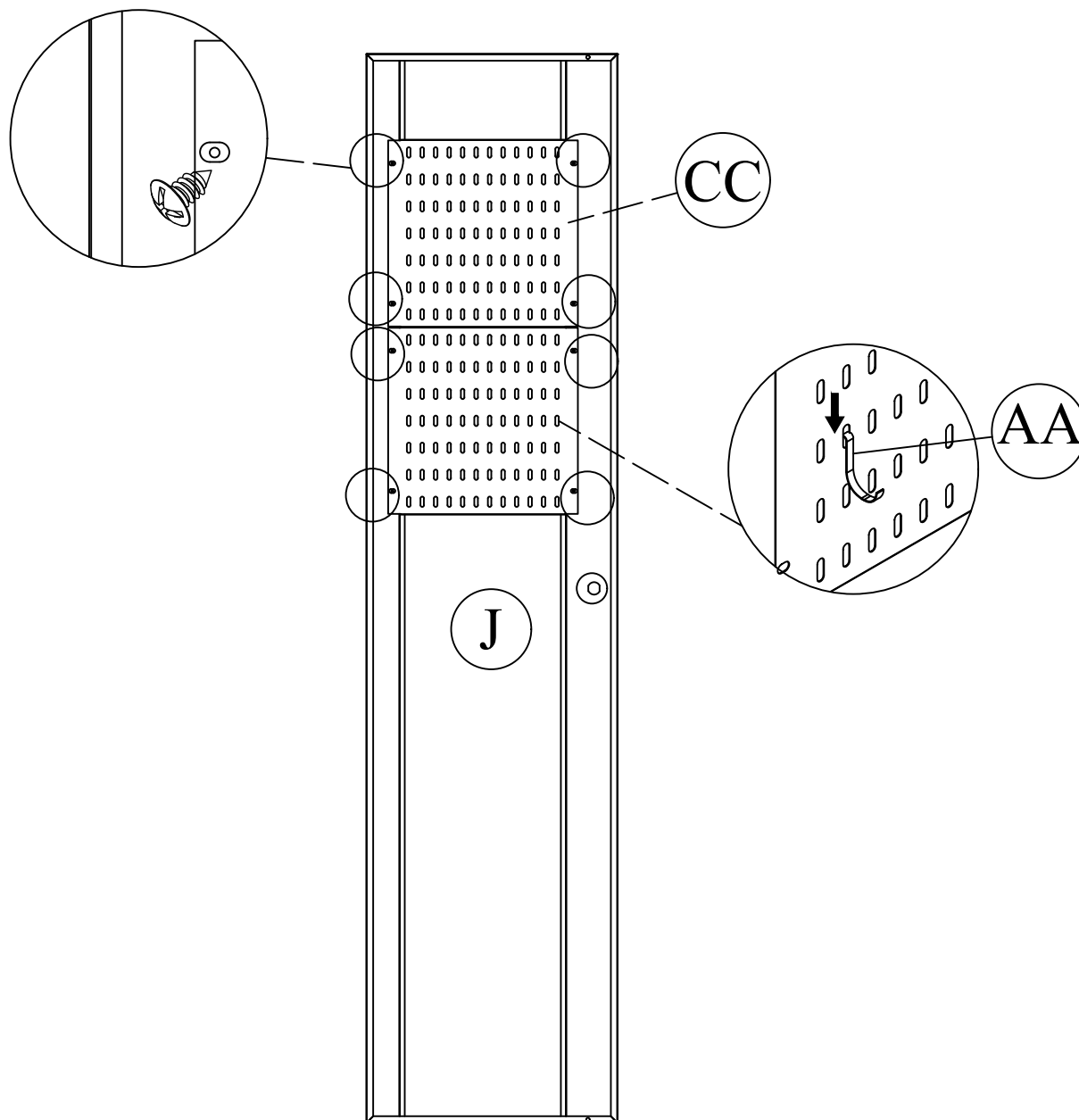
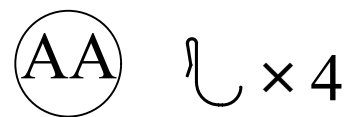
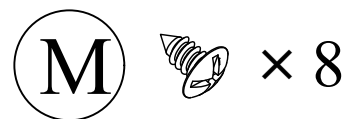
W  × 8



Step 13

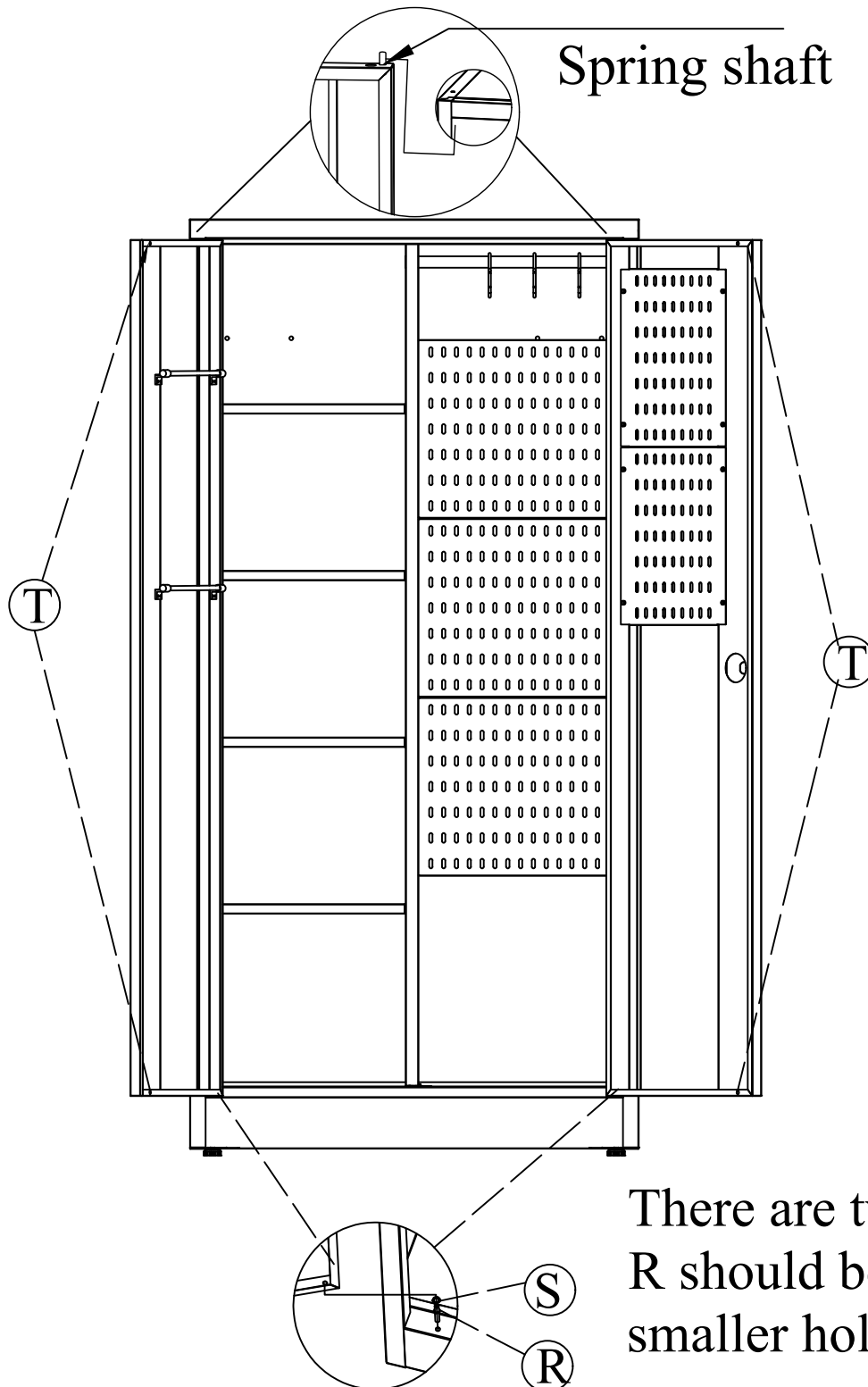
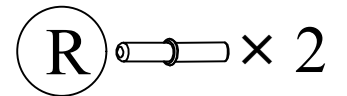
Install 2 pegboards CC on the right door J with 8 screws M

Hang 4 hooks AA on the pegboards



Step 14

Insert the door pivots R into the holes of the bottom corners (0/1/2 shims S can be used to adjust the seam), then insert the doors J and K into the pivots at the bottom and adjust the spring shafts on the top. Install 4 magnets T on the doors as shown below.

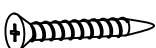


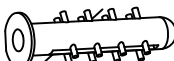
There are two holes here, and R should be inserted into the smaller hole.

Please remove the keys from the right door J and store them safely before proceeding with this step.

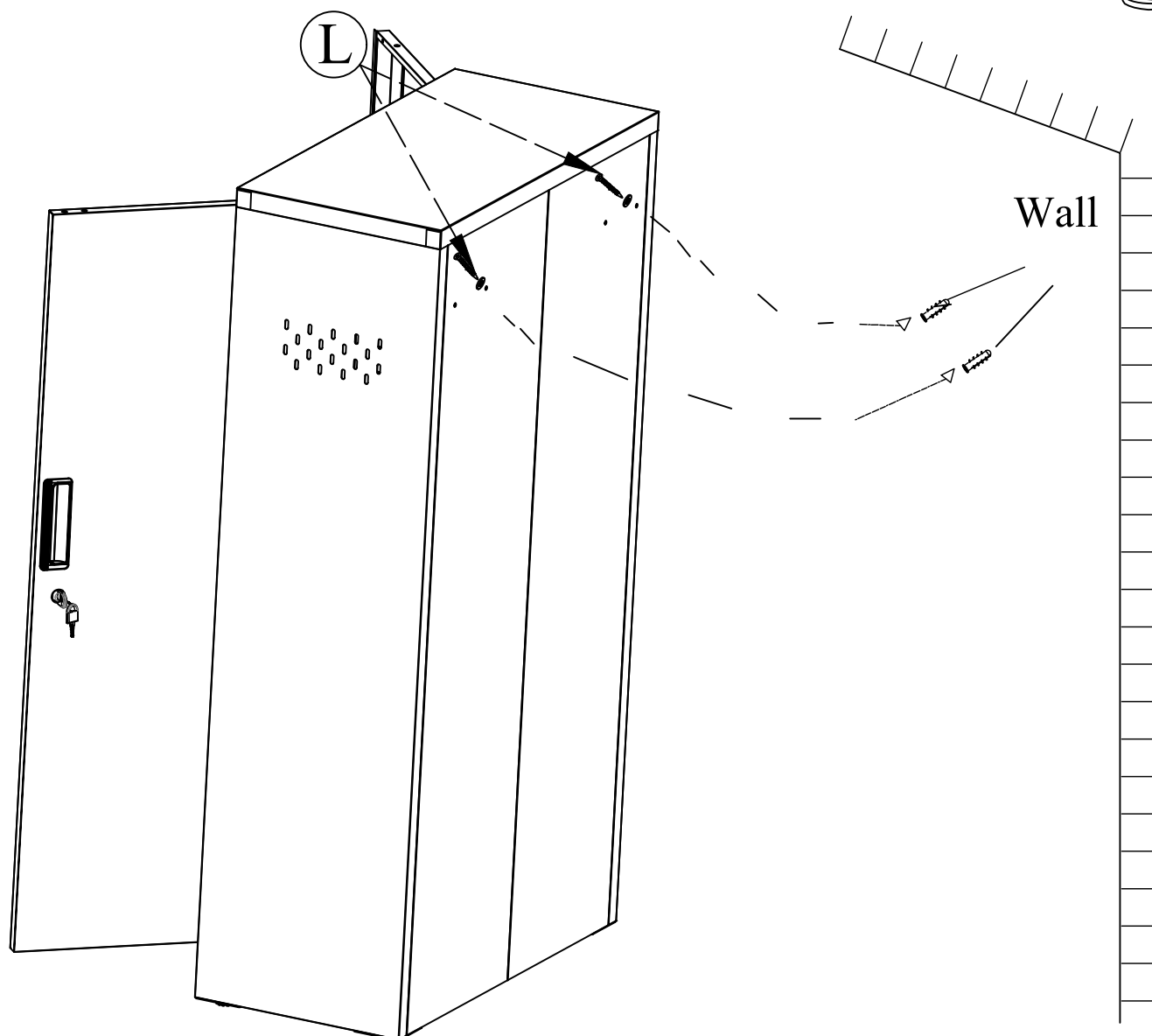
Step 15




Fix the cabinet on the wall with 2 expansion screws L to prevent tipping

(L)  × 2

 × 2

 × 2



 DANGER	
	
<p>Always secure this furniture with an anchor device. Unsecured furniture can cause serious injury or death to children. Never allow children to stand, climb or hang on drawers, doors or shelves. Never open more than one drawer or door at a time. Place the heavy items on the lower position. Never place a television on this furniture. This is a permanent label. Do not remove!</p>	