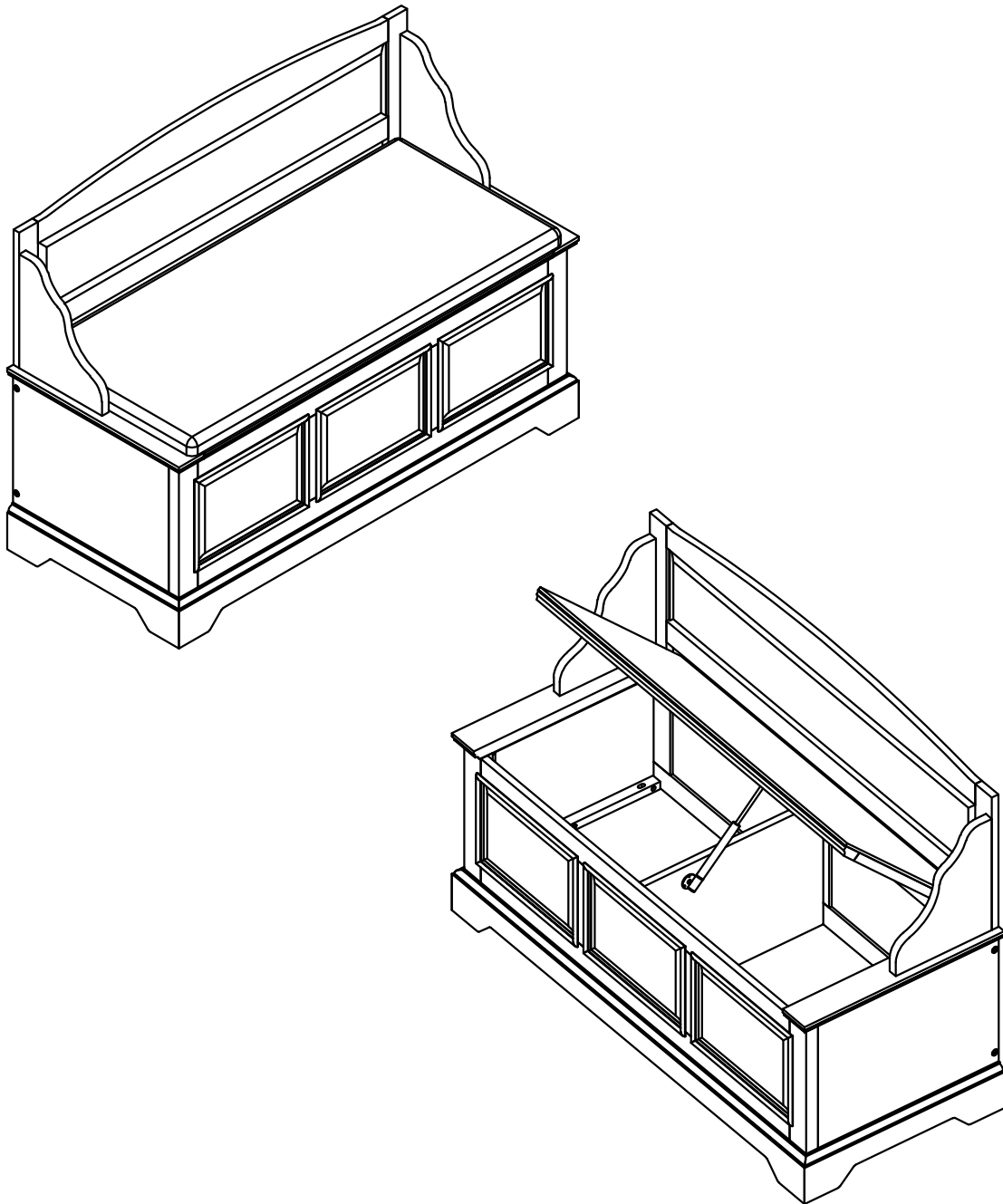
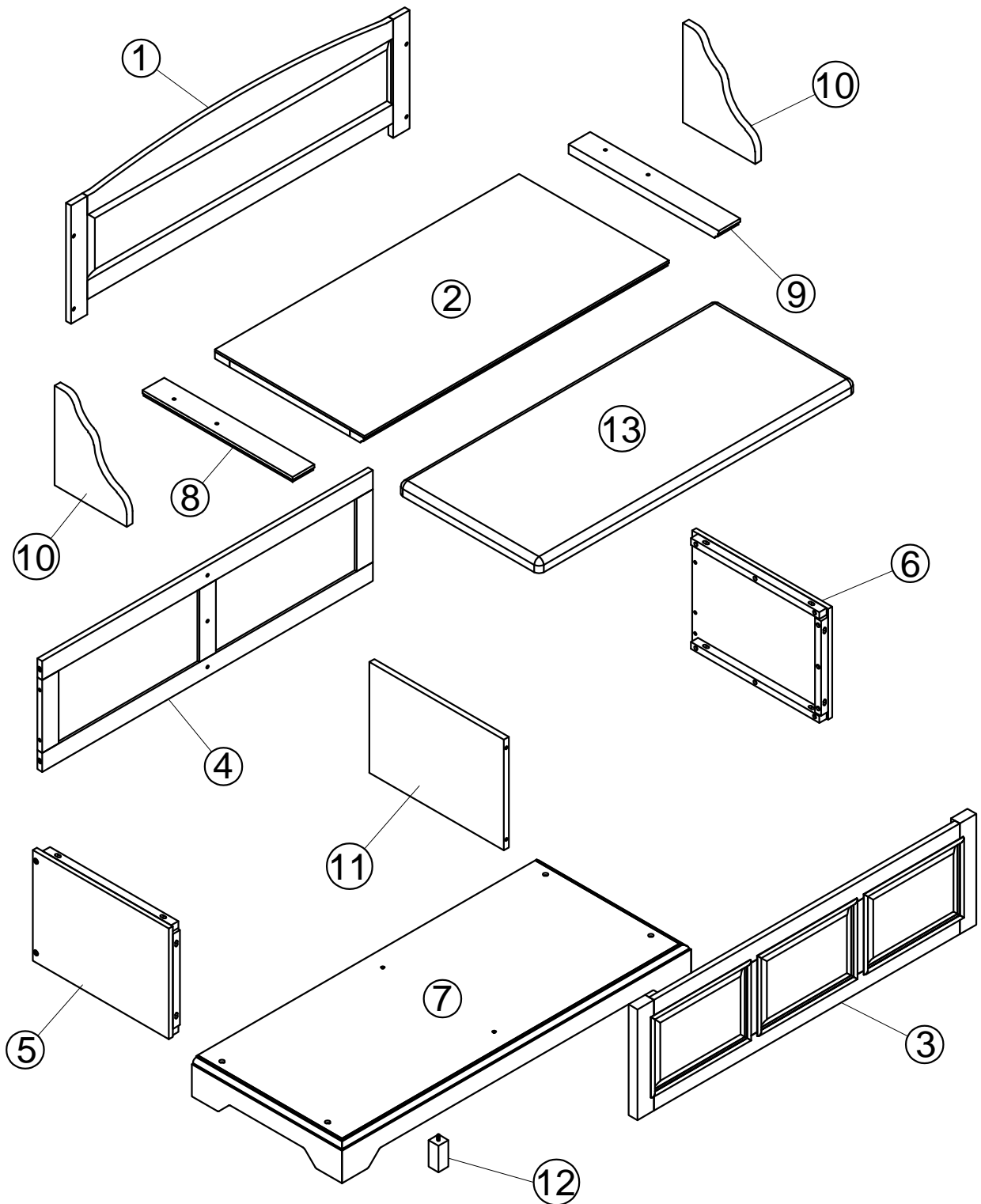


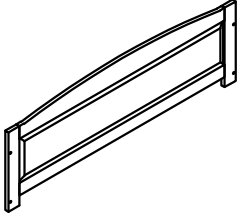
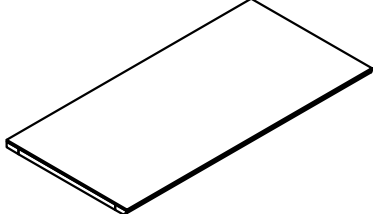
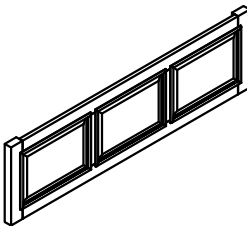
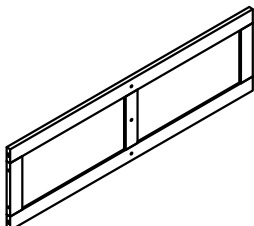
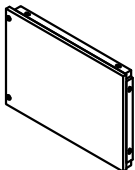
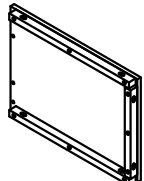
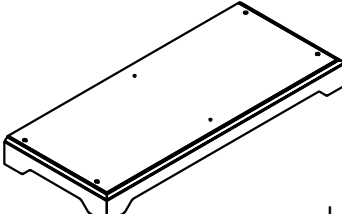
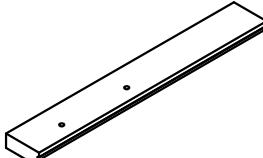
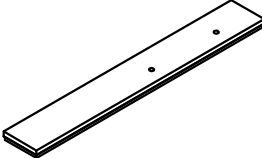
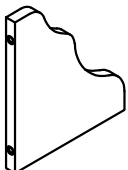
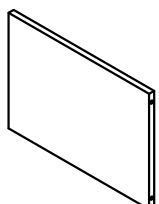
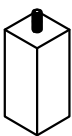
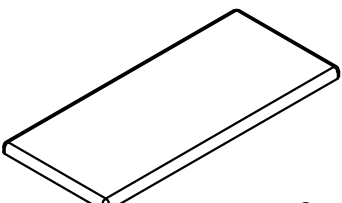
# ASSEMBLY INSTRUCTION




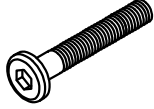


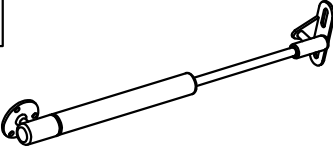
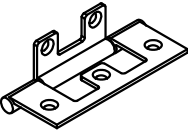


# ASSEMBLY INSTRUCTION



# PART LIST

<p>① x 1</p>  <p>Backrest</p>	<p>② x 1</p>  <p>Seat</p>
<p>③ x 1</p>  <p>Front Frame</p>	<p>④ x 1</p>  <p>Rear frame</p>
<p>⑤ x 1</p>  <p>Side panels - left</p>	<p>⑥ x 1</p>  <p>Side panels - right</p>
<p>⑦ x 1</p>  <p>Lower frame</p>	<p>⑧ x 1</p>  <p>Armrest - left</p>
<p>⑨ x 1</p>  <p>Armrest - right</p>	<p>⑩ x 2</p>  <p>Upper side panels</p>
<p>⑪ x 1</p>  <p>Divider panel</p>	<p>⑫ x 1</p>  <p>Support leg</p>
<p>⑬ x 1</p>  <p>Seat cushion</p>	




# HARDWARE LIST

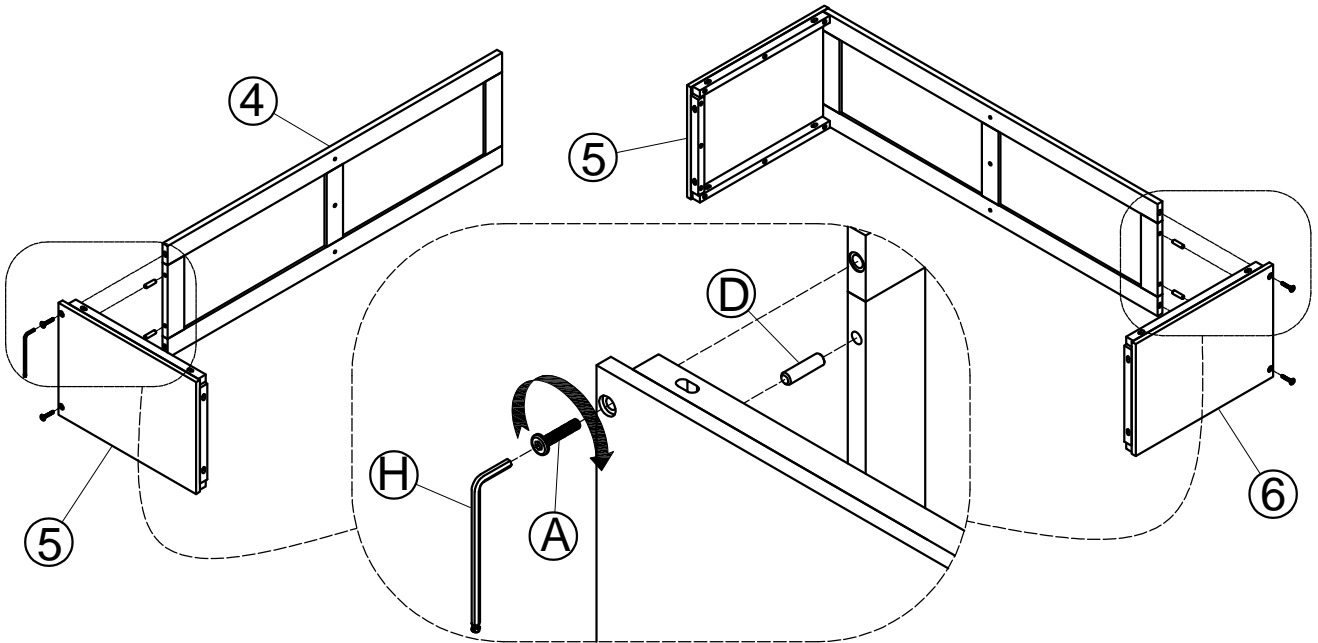
<b>A</b>  M6 x 30 mm Bolt 12pcs	<b>B</b>  M6 x 40 mm Bolt 16pcs	<b>C</b>  Ø16 mm Flat washer 12pcs
<b>D</b>  Ø8 x 30 mm Wood dowel 7pcs	<b>E</b>  Hydraulic Lifting Arm 1pc	<b>F</b>  Hinge 2pcs
<b>G</b>  M3.5x12mm Wood Screw 15pcs	<b>H</b>  Allen key 1pcs	

ASSEMBLY TOOLS REQUIRED (NOT INCLUDED)






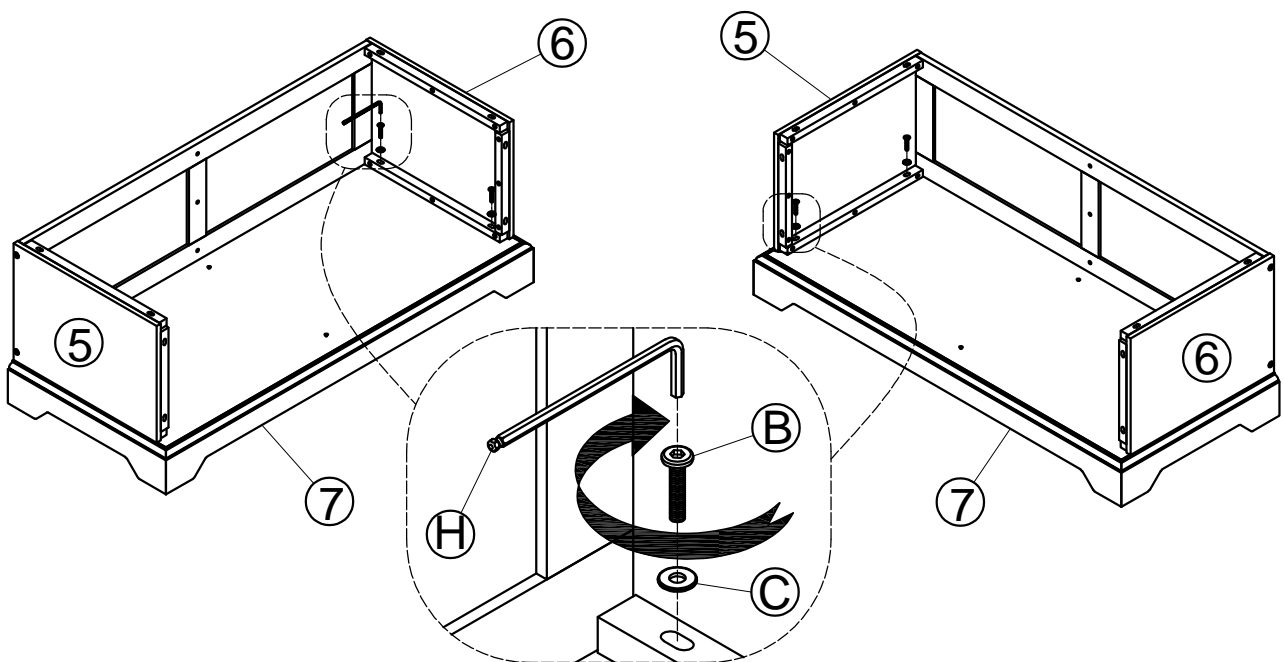
**STEP 1:** Following below illustration  
 -Using hardware #A, #D connect 5, 6 with 4

A		4	D		4
H		1			






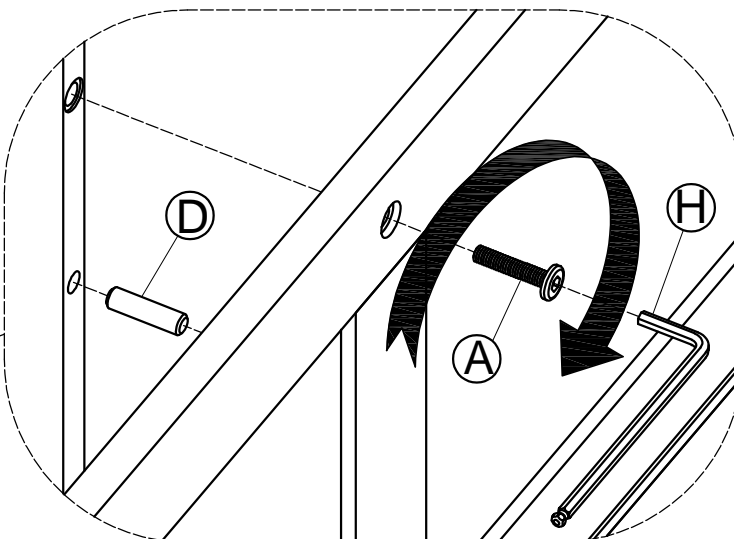
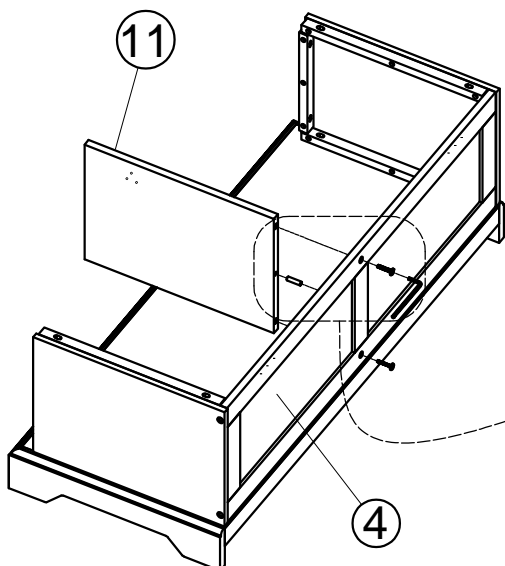
**STEP 2:** Following below illustration  
 -Using hardware #B, #C connect 5, 6 with 7

B		4	C		4
H		1			





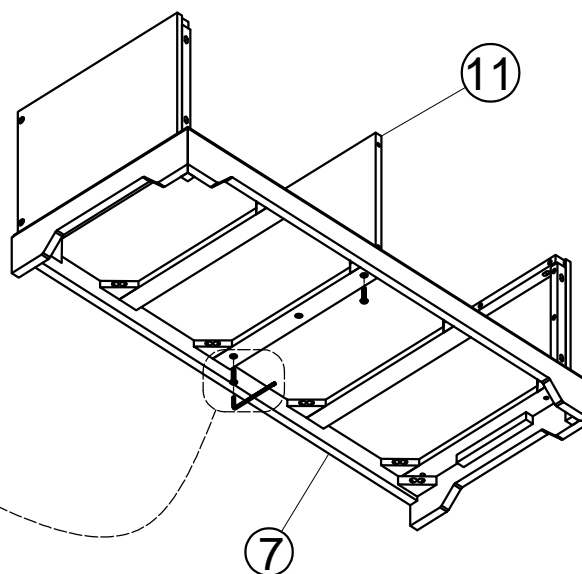
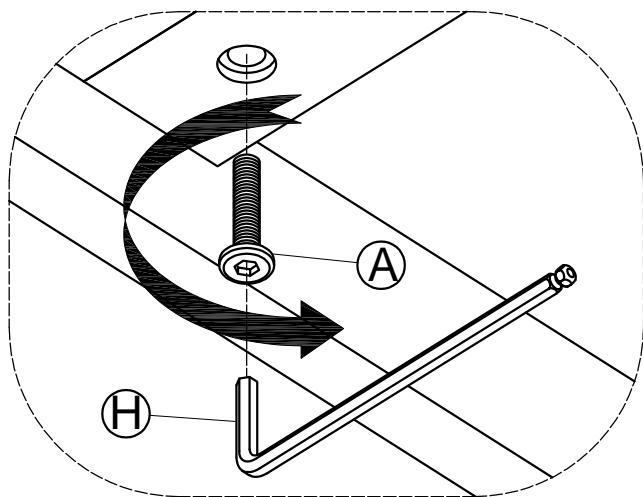
**STEP 3:** Following below illustration  
 -Using hardware #A, #D connect 11 with 4

A		2	D		1
H					1







**STEP 4:** Following below illustration  
 -Using hardware #A connect 7 with 11

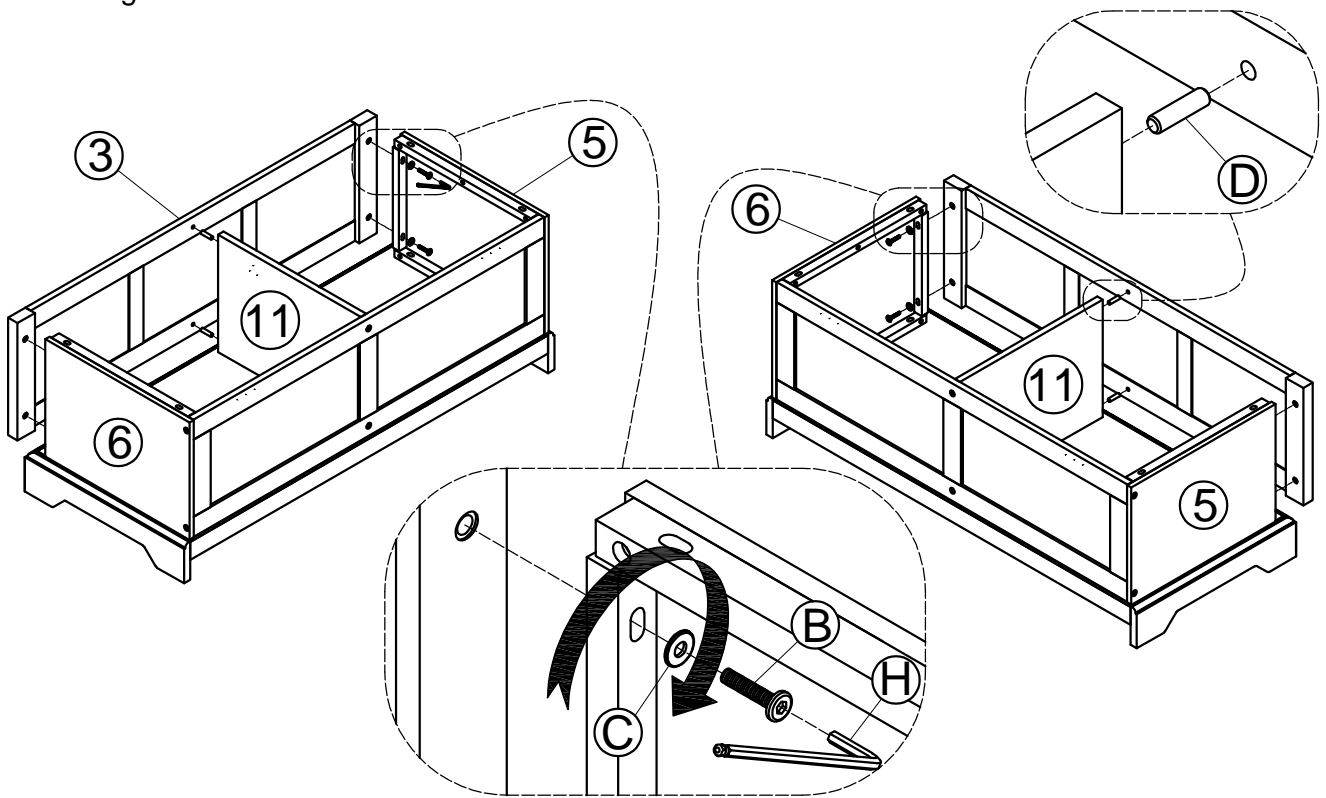
A		2	H		1
---	--	---	---	---	---



**STEP 5:** Following below illustration

- Using hardware #B, #C connect 5, 6 with 3
- Using hardware #D connect 11 with 3

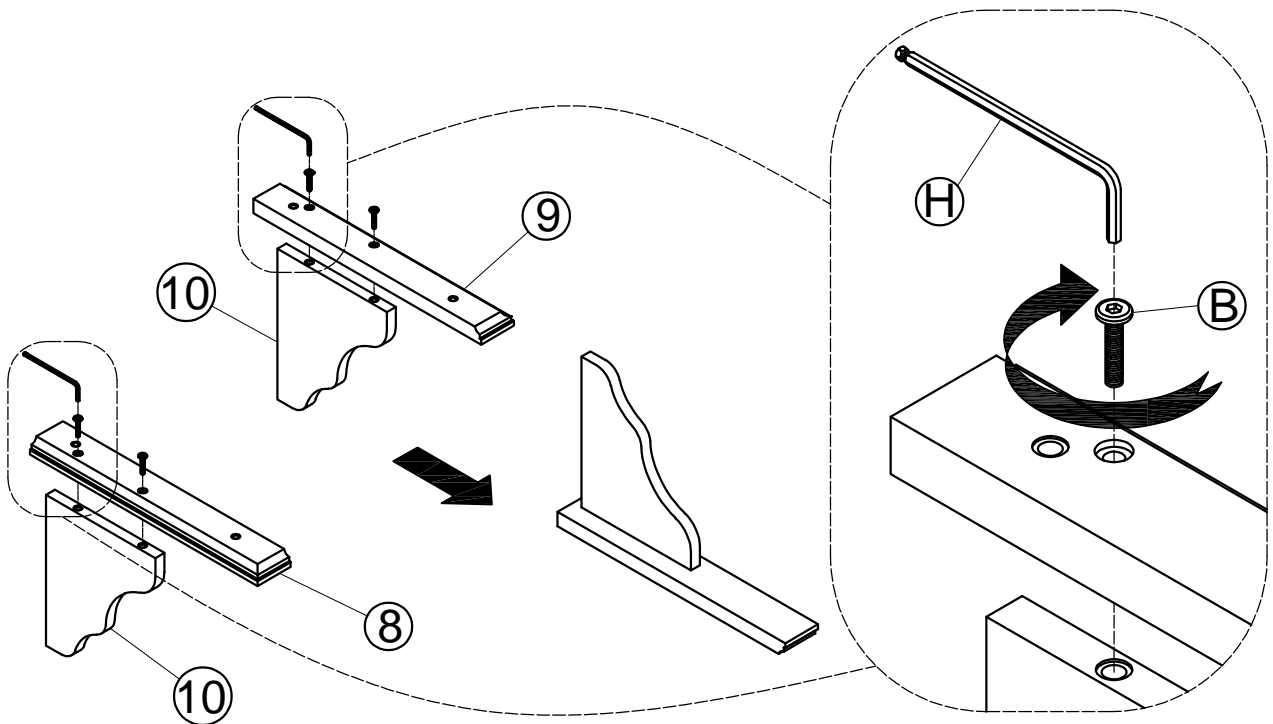
B		4	C		4
D		2	H		1






**STEP 6:** Following below illustration

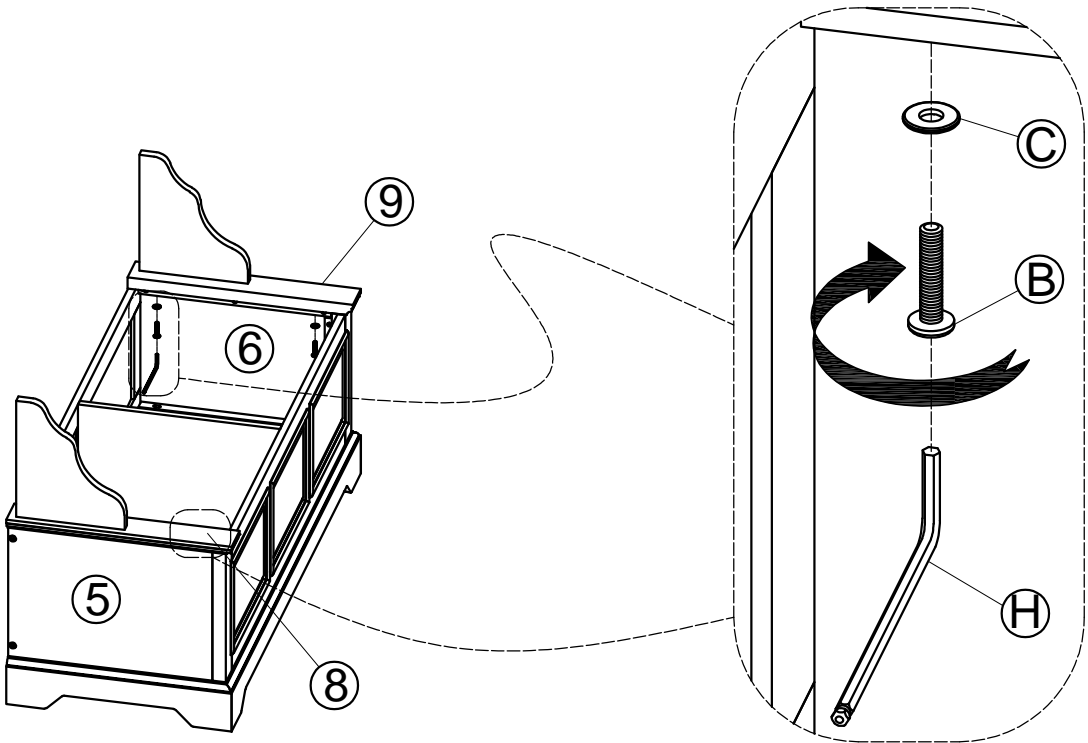
- Using hardware #B connect 8, 9 with 10

B		4	H		1
---	--	---	---	---	---



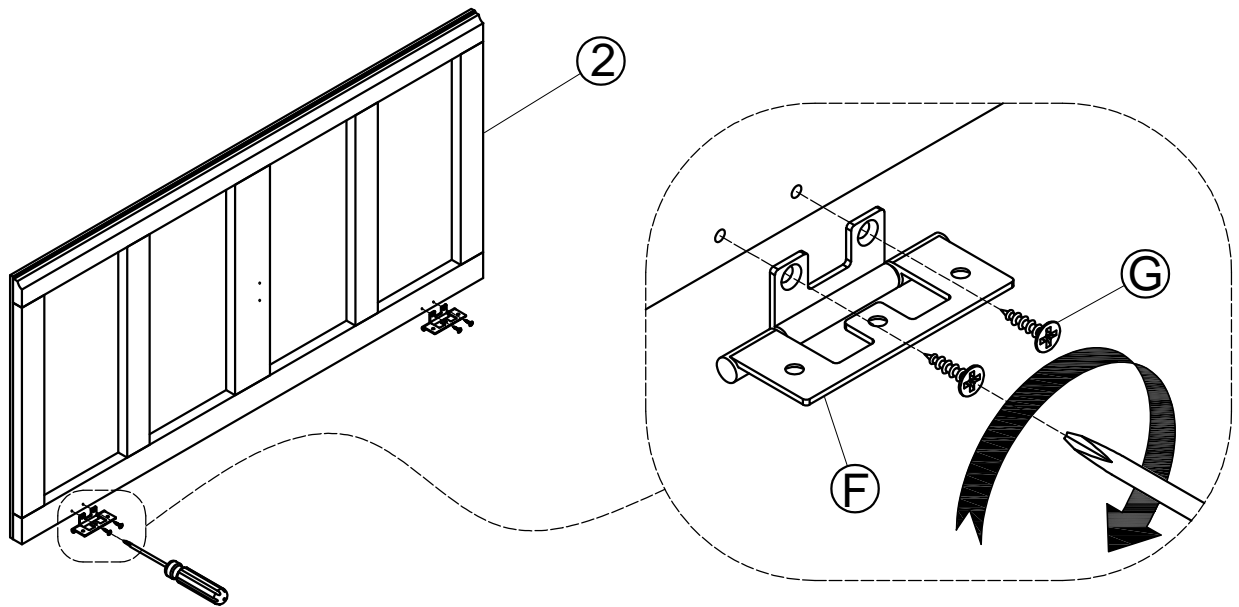
**STEP 7:** Following below illustration  
 -Using hardware #B, #C connect 8, 9 with 5, 6

B		4	C		4
H					1



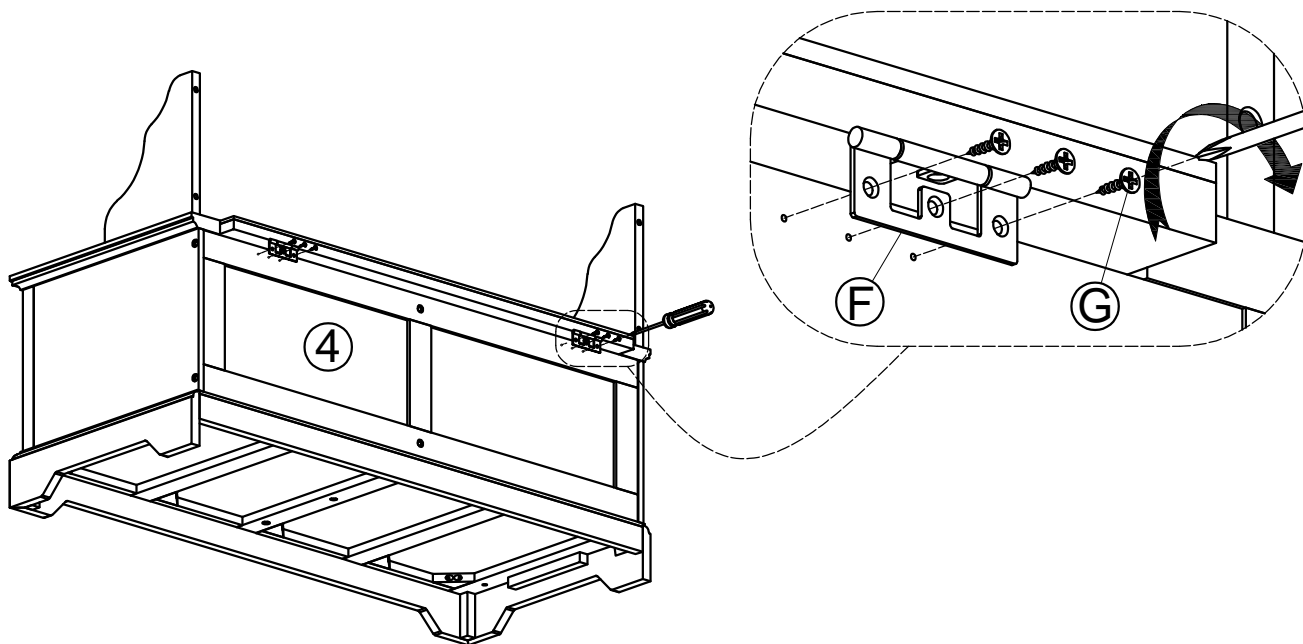
**STEP 8:** Following below illustration  
 -Using hardware #G connect F with 2

F		2	G		4
---	--	---	---	---	---



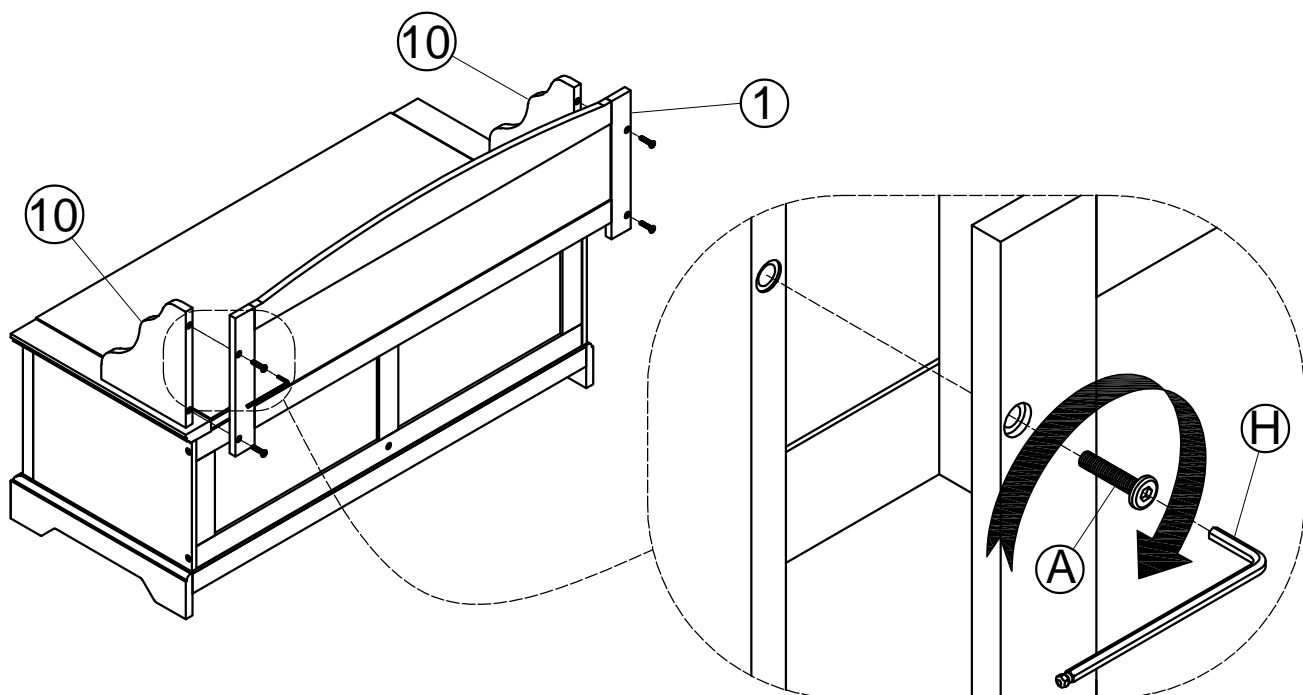
**STEP 9:** Following below illustration

-Using hardware #G connect F with 4

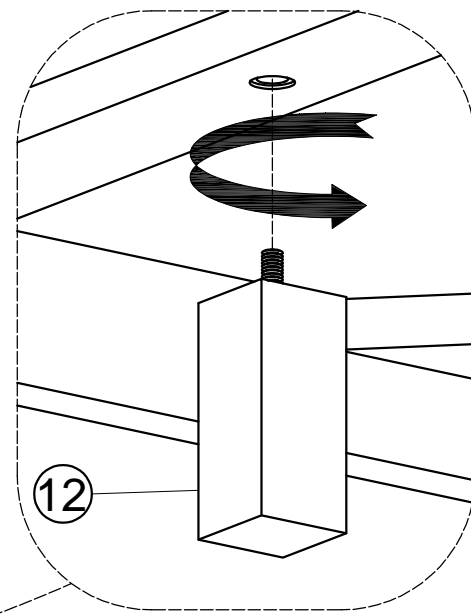
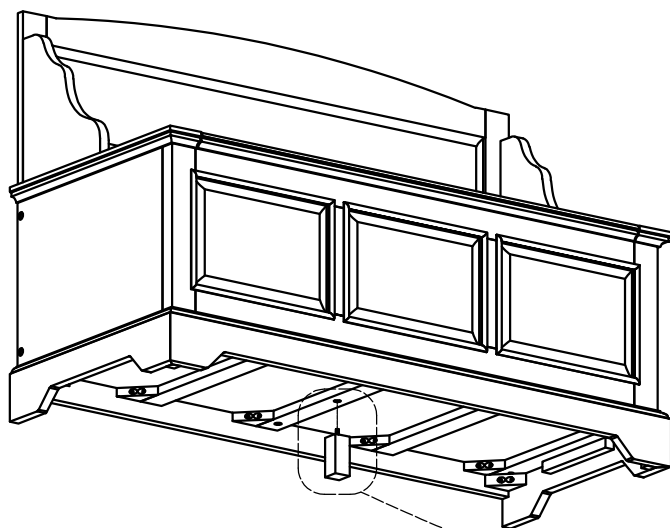


**STEP 10:** Following below illustration

-Using hardware #A connect 1 with 10

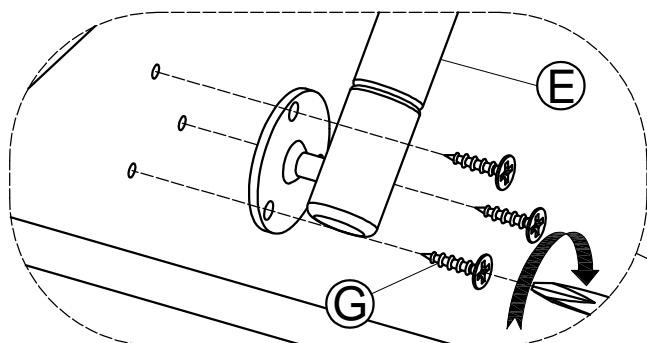
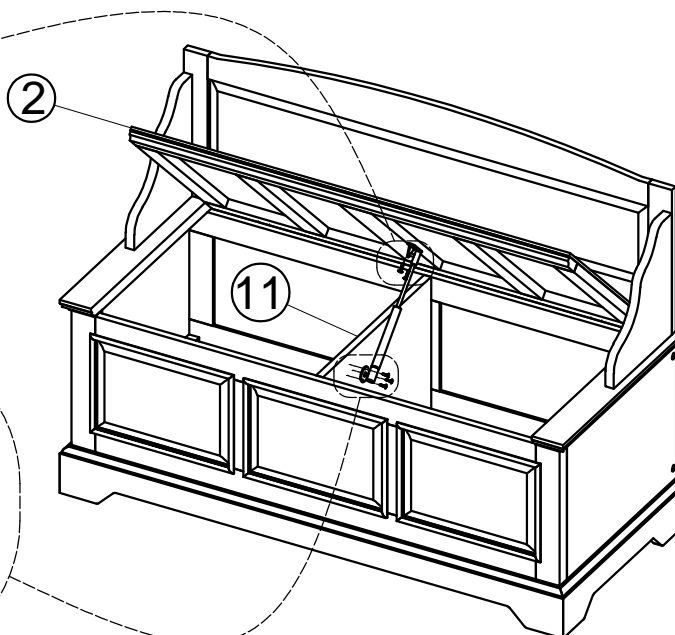
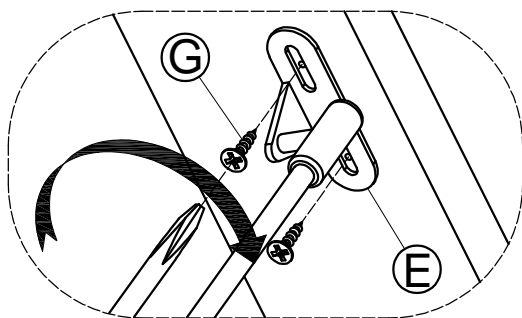
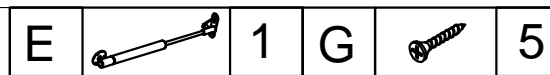


**STEP 11:** Following below illustration



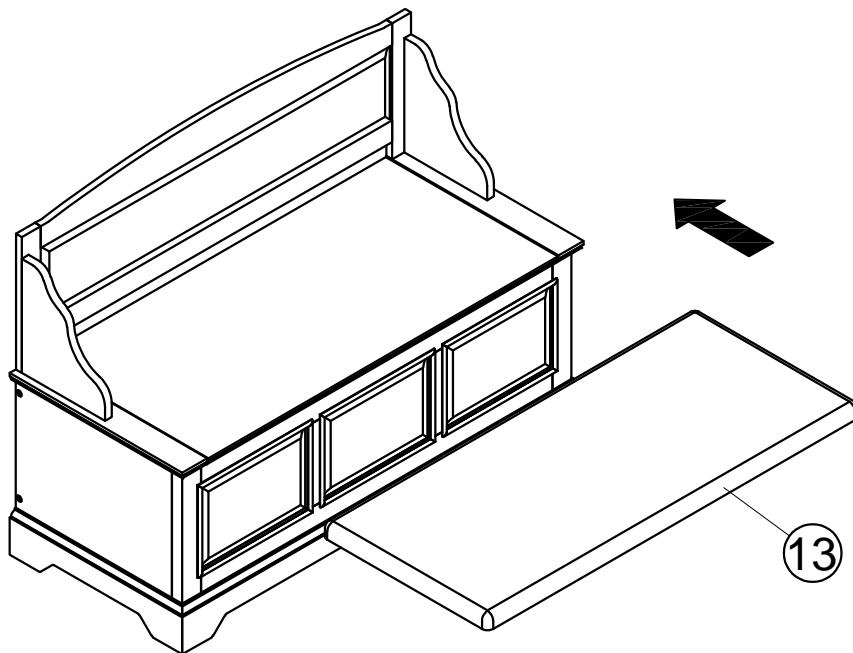
**STEP 13:** Following below illustration

-Using hardware #G connect E with 2, 11



**STEP 14:** Following below illustration

-Put the cushion seat (13) on the seat (2)



**STEP 15:** Complete

