

INSTALLATION INSTRUCTIONS

PLEASE READ THESE INSTALLATION INSTRUCTIONS THOROUGHLY PRIOR TO INSTALLING THIS SHOWER SEAT

IMPORTANT: THIS PRODUCT SHOULD ONLY BE INSTALLED BY QUALIFIED AND TRAINED PERSONNEL

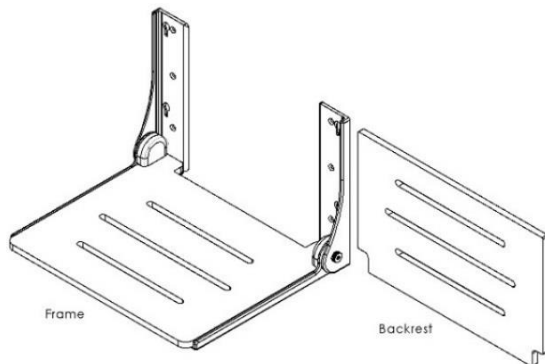
FAILURE TO FOLLOW THESE INSTRUCTIONS COULD LEAD TO IMPROPER INSTALLATION OF THE SHOWER SEAT, STRUCTURAL AND/OR WATER DAMAGE TO THE WALL AND IN-WALL SUPPORT STRUCTURES, AND/OR SERIOUS BODILY INJURY IN USE. IN ADDITION, ALL WARRANTIES, EXPRESS OR IMPLIED, WILL BE NULL & VOID DUE TO IMPROPER INSTALLATION OF THIS PRODUCT. THE MANUFACTURER DOES NOT ASSUME ANY LIABILITY FOR DAMAGE RESULTING FROM SERVICES PERFORMED BY OTHERS, OR FAULTY INSTALLATION, MISUSE OR MISAPPLICATION OF GOODS.

THIS PRODUCT IS DESIGNED TO MEET OR EXCEED ALL LOAD REQUIREMENTS ESTABLISHED IN THE FEDERAL SPECIFICATION #WW-P-541/8b AT 250 POUNDS OF FORCE. THE PERFORMANCE OF THIS PRODUCT IS SIGNIFICANTLY IMPACTED BY THE STRENGTH OF THE WALL TO WHICH IT IS ATTACHED.

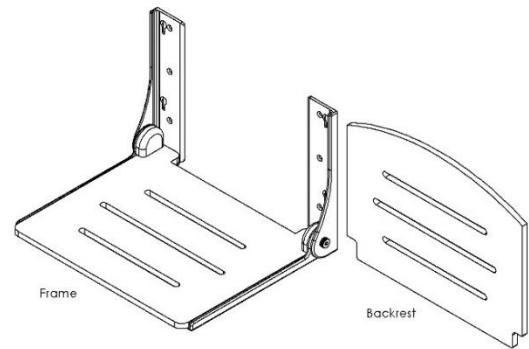
TO ASSURE PROPER AND SAFE INSTALLATION, THIS SHOWER SEAT MUST BE INSTALLED INTO A MINIMUM 2" THICK, SOLID WOOD, IN-WALL BACKING MATERIAL. MAKE CERTAIN IN-WALL BACKING COMPLIES WITH ALL LOCAL BUILDING CODE REQUIREMENTS.

MAXIMUM WEIGHT CAPACITY FOR THIS PRODUCT IS 400 LBS. WHEN PROPERLY INSTALLED.

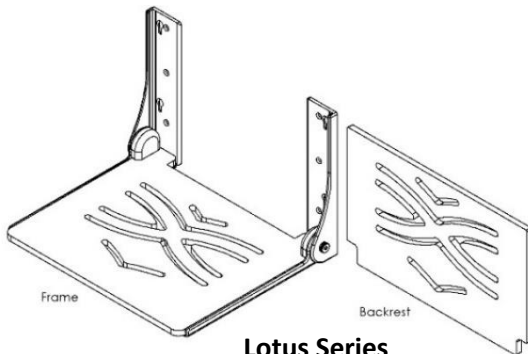
1. Remove the Silhouette Shower Seat from the shipping carton. Carefully unwrap packaging as the Seat Back Rest and mounting screws are packaged separately inside the carton.



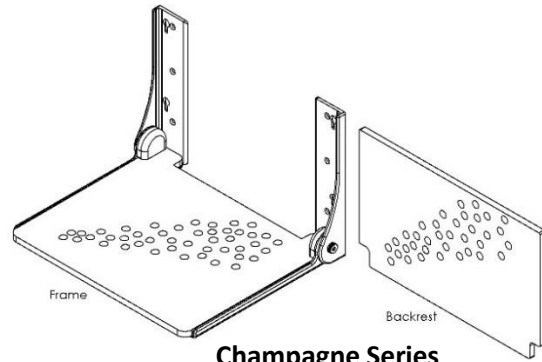
Flat Top / Standard Slot Series



Arch Top / Standard Slot Series



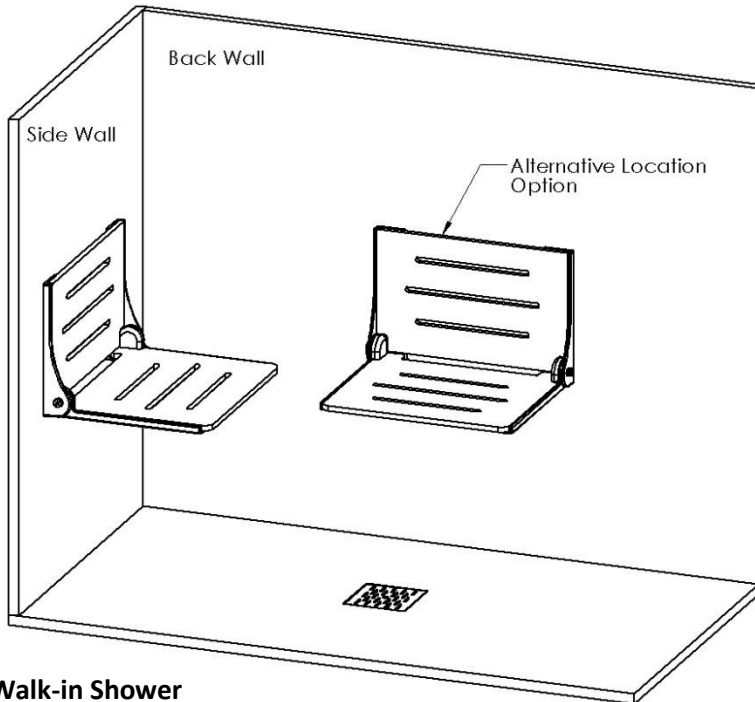
Lotus Series



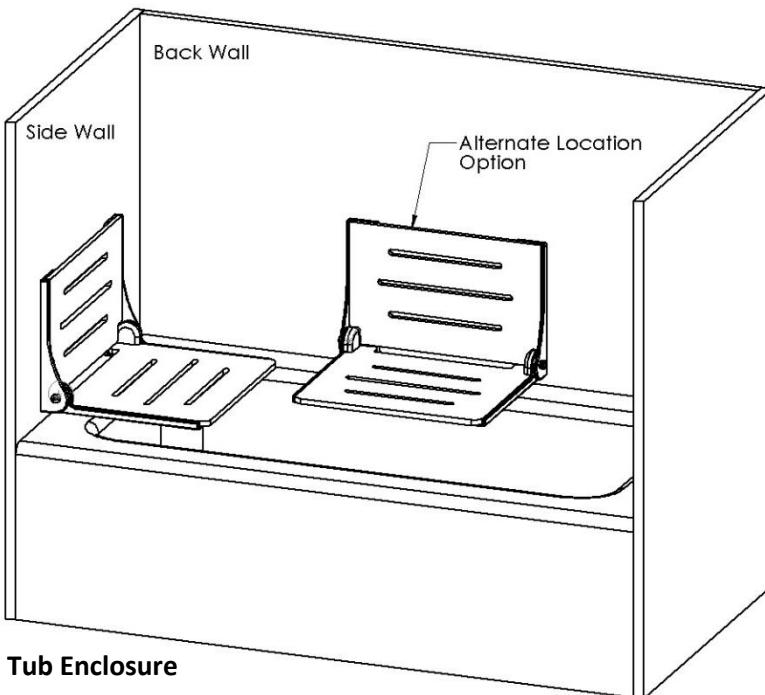
Champagne Series

INSTALLATION INSTRUCTIONS

2. Locating the Shower Seat in the desired position for Walk-in Showers and Tub Enclosures.



Walk-in Shower



Tub Enclosure

Remove and open the paper template from the shipping carton.

Locate the area with 2" solid wood in-wall backing. Determine desired seat height (ADA requirements stipulate a seat height of 17" – 19" from the floor). Using the template (supplied by manufacturer), align hole centerlines with the in-wall backing. Using a level (not provided) ensure the "Top of Seat Frame Mounting Bracket" line is level.

Tap the template into position on the mounting surface.

When installing the seat in a tub enclosure, place the shower seat (in the open position) against the template, prior to installation, to ensure the bottom of the seat will clear the tub dam.

Using a pencil or suitable marker, it is ***extremely important*** you mark the center of each of the six (6) mounting holes precisely on the mounting surface. (See Diagram A)

INSTALLATION INSTRUCTIONS

Proceed cautiously through the following steps in this installation process to avoid drilling into in-wall water supply lines.

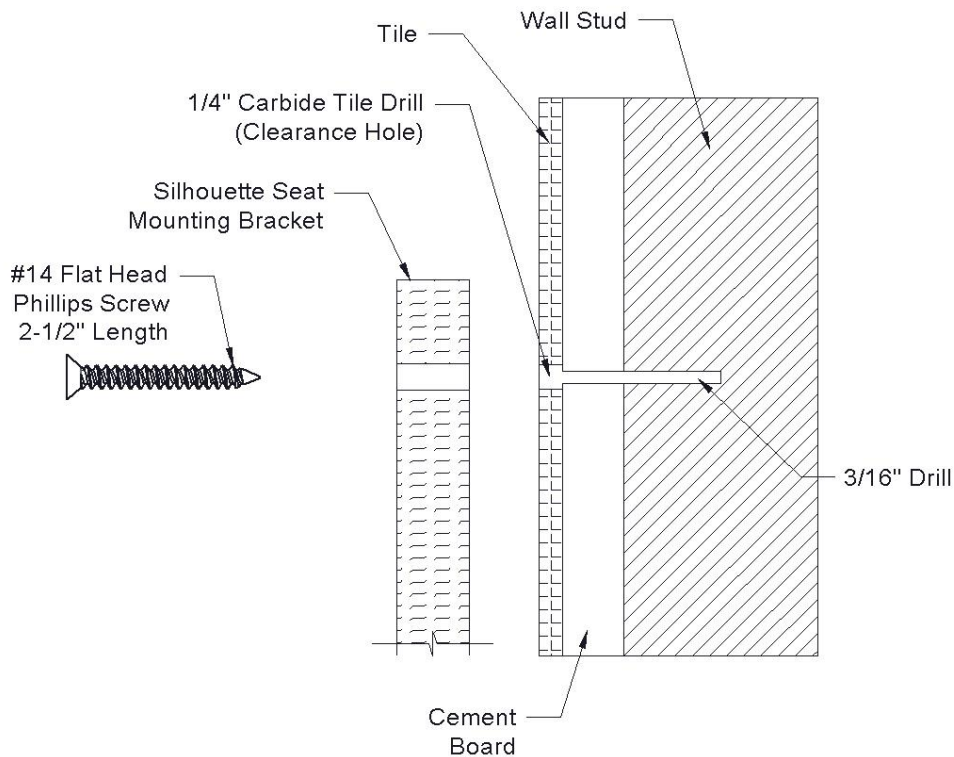
3. Mounting the Silhouette Shower Seat in Tiled Wall Enclosure.

All mounting points must fasten into structural wood backing, minimum 2" thickness.

Avoid electrical and/or plumbing behind the wall, and where possible drill through tile – not through grout.

Step #1

Drill through the tile only with a 1/4" Carbide tile drill bit (not provided) at the six (6) locations marked on the wall to create clearance holes, leaving a center point mark in the cement board backing to use as a guide for Step #2.



Step #2

Use a power drill with a 3/16" Standard drill bit (not provided) and drill into the 2" thick solid wood backing in the wall, using the center point guide marks created in Step #1. Fill the clearance holes on the mounting surface with silicone to ensure a water-tight seal will be created at all mounting locations.

INSTALLATION INSTRUCTIONS

Step #3

Secure the Seat Mounting Bracket to the wall using the (6) #14 Flat Head Phillips sheet metal screws (supplied by manufacturer) and screw into the solid wood backing, starting with the top two hole locations.

Do **NOT** tighten the mounting screws completely until ALL (6) screws are in place.

Step #4

Once all six (6) screws have been tightened, install the seat backrest by placing the four (4) pins (attached to the backside of the phenolic seat backrest panel) into the four (4) slotted key-holes on the seat frame. The backrest panel should easily slide down approximately $\frac{1}{2}$ " until secure in its normal position. Make certain all four (4) pins are engaged in each key-hole slot.

To remove the seat backrest, slide the backrest panel up approximately $\frac{1}{2}$ " so the four (4) pins align with the enlarged portion of the key-hole slots on the seat frame, and pull the backrest away from the frame.

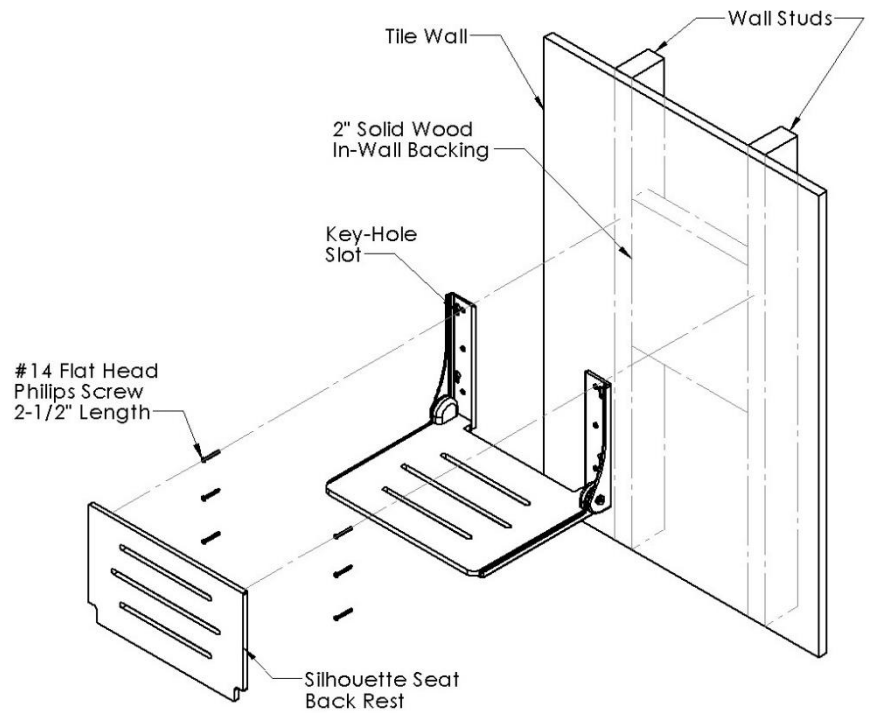


Diagram A

NOTE:

The seat bottom panel is attached to the aluminum frame at the factory using high-strength VHB tape.

Do **NOT** attempt to remove the seat bottom panel from the seat frame as it may cause severe damage to the seat.

To ensure proper and safe installation, the shower seat should not shift in any direction on the mounting surface.

Hardware Provided: (6) #14 Flat Head Phillips sheet metal screws 2-1/2" length.

Tools required: Marking pencil/pen, level, masking tape, power drill, 1/4" Carbide tile drill bit, 3/16" Standard drill bit, #3 phillips driver, silicone.

THIS COMPLETES THE INSTALLATION OF THE SILHOUETTE SHOWER SEAT.