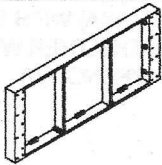
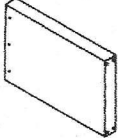
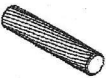
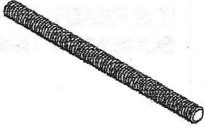



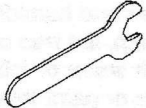


ASSEMBLY INSTRUCTION SHEET

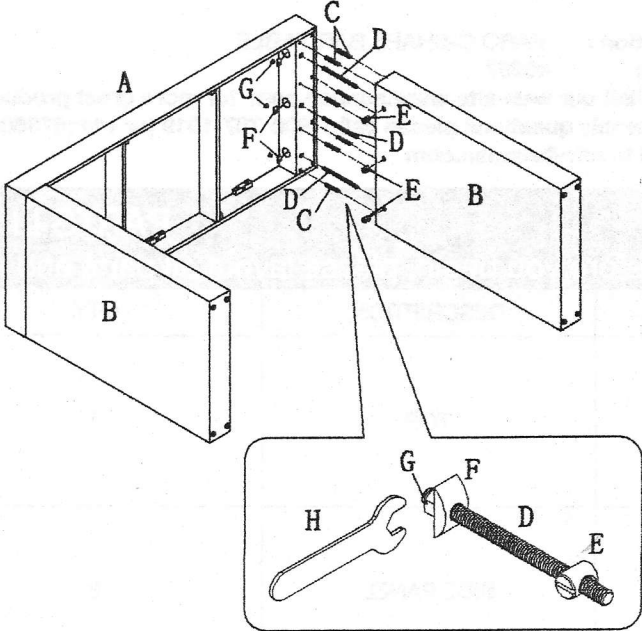
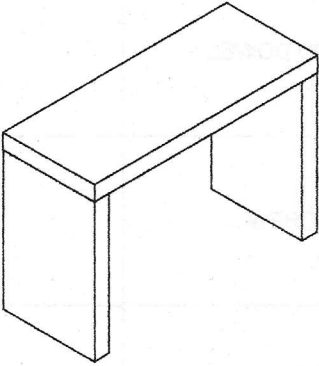
Description : FARO C-SHAPE BAR TABLE
Item No: 40257

PARTS LIST

Before you begin, please layout all parts and ensure you have the correct count

NO	DESCRIPTION	QTY	ILLUSTRATION
A	TOP	1	
B	SIDE PANEL	2	
C	WOOD DOWEL	16	
D	SCREW	6	
E	SCREW NUT	6	
F	SCREW NUT	6	
G	SCREW NUT	6	
H	ALLEN WRENCH	1	

ASSEMBLY INSTRUCTION

STEP	DESCRIPTION	ILLUSTRATION
1	<p>USE WOOD DOWEL(C), SCREW (D), SCREW NUT(E), SCREW NUT(F), SCREW NUT(G) TO CONNECT TOP(A) WITH SIDE PABEL(B) TOGETHER WITH ALLEN WRENCH(H)</p>	
2	<p>IT'S READY AFTER SCREWING TIGHTLY.</p>	

ASSEMBLY TIPS:

- please checks parts and hardware before assembling. Follow each instruction step by step.
- place a protective pad or piece of cardboard on the floor while assembling your item on top of it.
- remove all parts from the carton and separate them into part numbers/groups as indicated on the part list.
- please follow instructions in the sequence as numbered to assure fast/easy assembly

WARNING:

- don't attempt to repair or modify parts that are broken or defective - if you find a broken part please contact the retailer where you purchased it for replacement
- keep all hardware parts out of the reach of children

FURNITURE CARE:

Following these few basis steps will help to ensure that you enjoy your furniture for a long time:

- do not expose your furniture to direct sunlight, dampness or any heat, like a hot cup of coffee or tea. Always use a coaster.
- excessive exposure to sunlight may cause fading
- excessive temperature and humidity or cold may cause cracking or splitting
- dust with a clean, damp, lint free cloth
- use a damp cloth with water or mild detergent to clean all surfaces
- do not use chemicals or paint thinner which will fade the surface
- place a piece of felt or a pad under the legs of your furniture to avoid scratching the floor