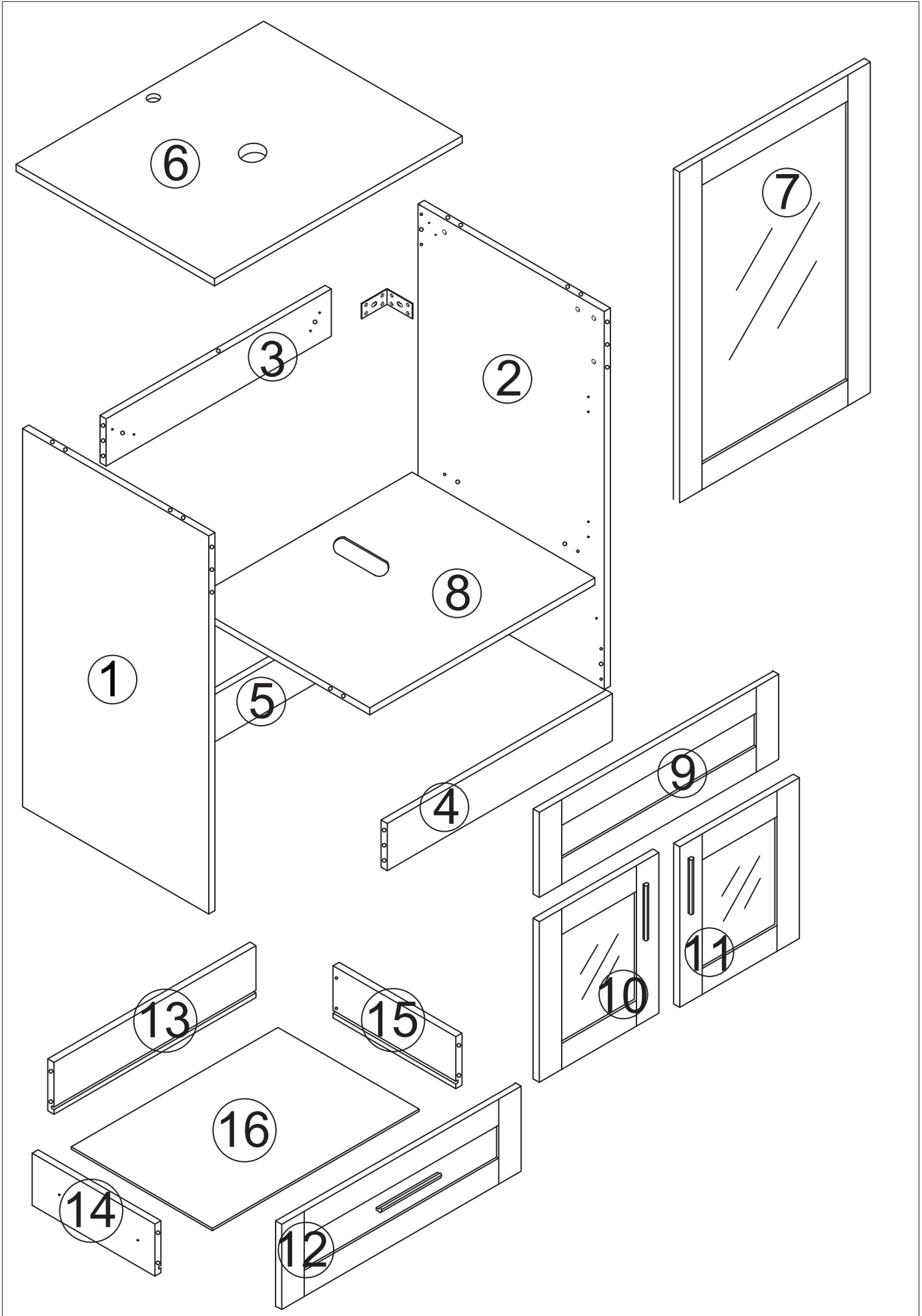


US-BTC8013-BK-OM24



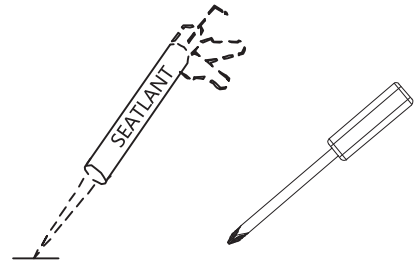
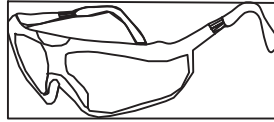
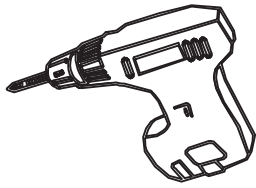
PRODUCT PARTS:

1	2	3	4	5	6
1PC	1PC	1PC	1PC	1PC	1PC
7	8	9	10	11	12
1PC	1PC	1PC	1PC	1PC	1PC
13	14	15	16		
1PC	1PC	1PCS	1PC		

HARDWARE:


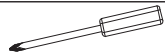
(A)	(B)	(C)	(D)	(E)	(F)
34 PCS	34 PCS	Ø8x30mm 14PCS	4 PCS	4x14mm 48 PCS	4x8mm 2 PCS
(G)	(H)	(I)	(J)	(K)	(O)
4x40mm 4 PCS	1 SET	2 PCS	1 PCS	2 PCS	4x19mm 4 PCS

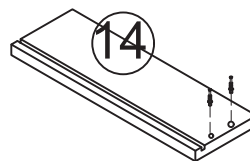
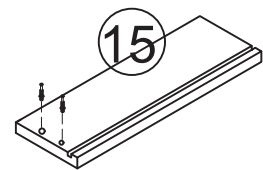
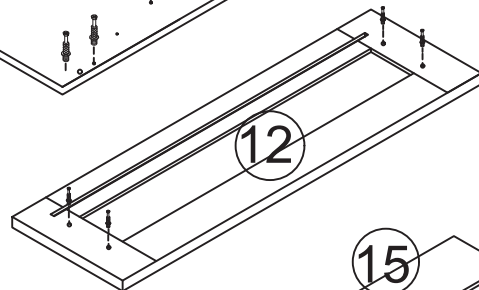
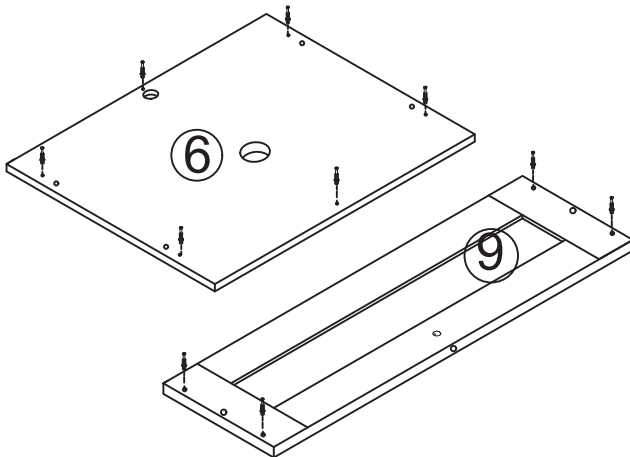
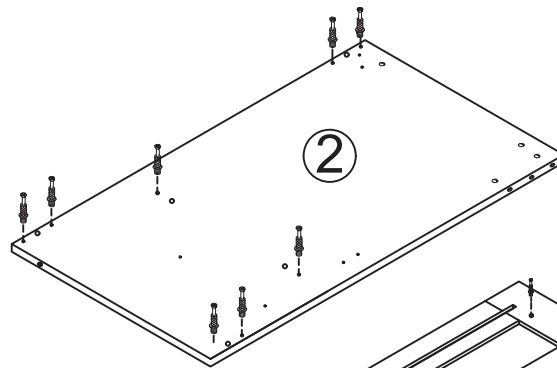
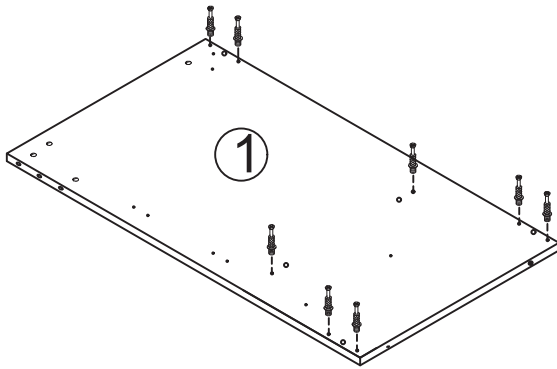
YOU MAY NEED(NOT SUPPLIED)



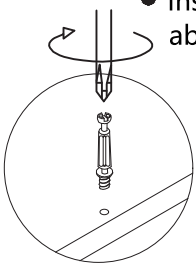
INSTALLATIONS

STEP 1

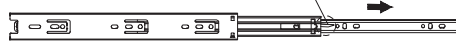
HARDWARE LIST	
A  34PCS	




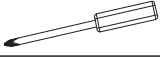

- Insert the Cam Screw into the shelves above.

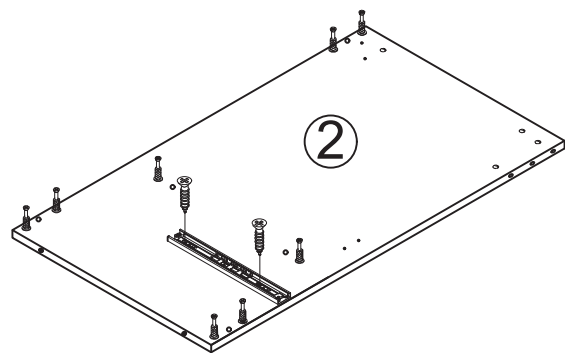
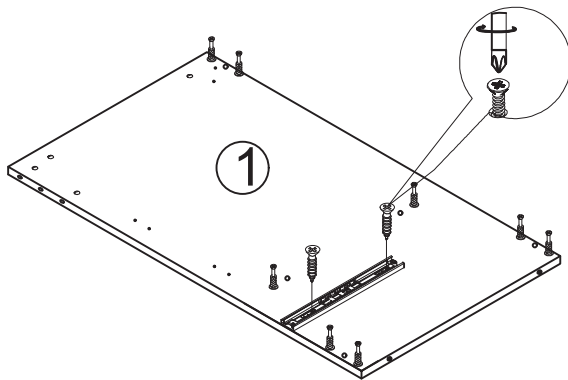
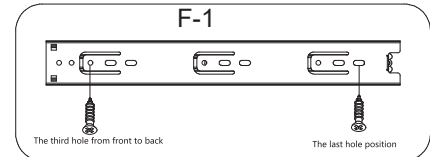


STEP 2

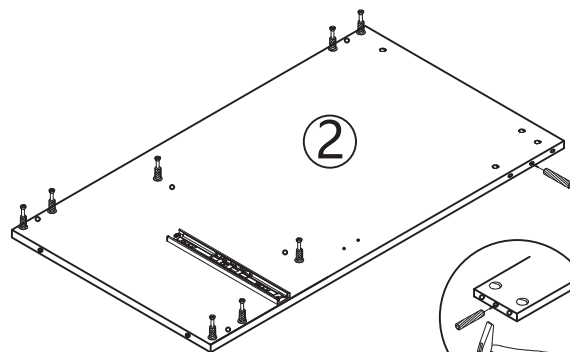
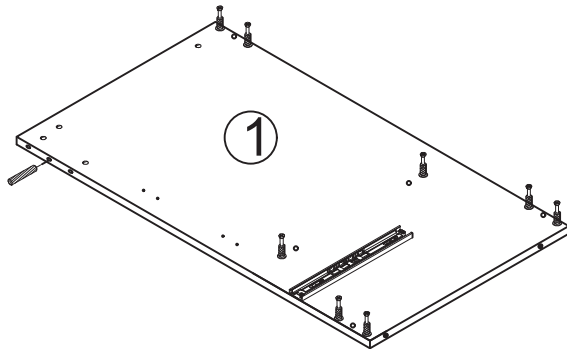
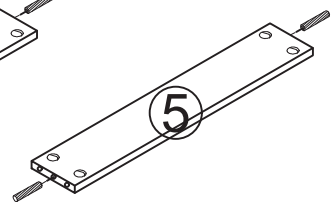
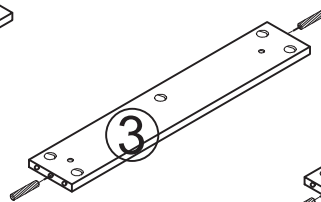
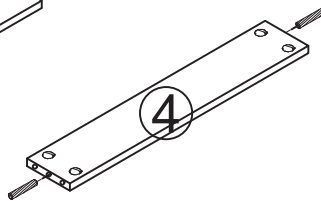
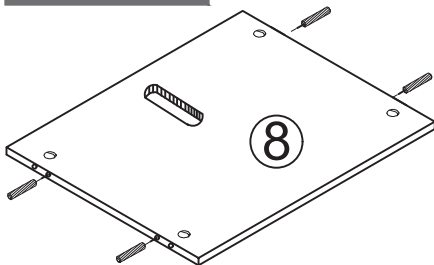


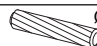
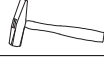
- Keep pressing here, then pull out to divide the slide

HARDWARE LIST		
H	 2 PCS	
E	 4x14mm 4 PCS	



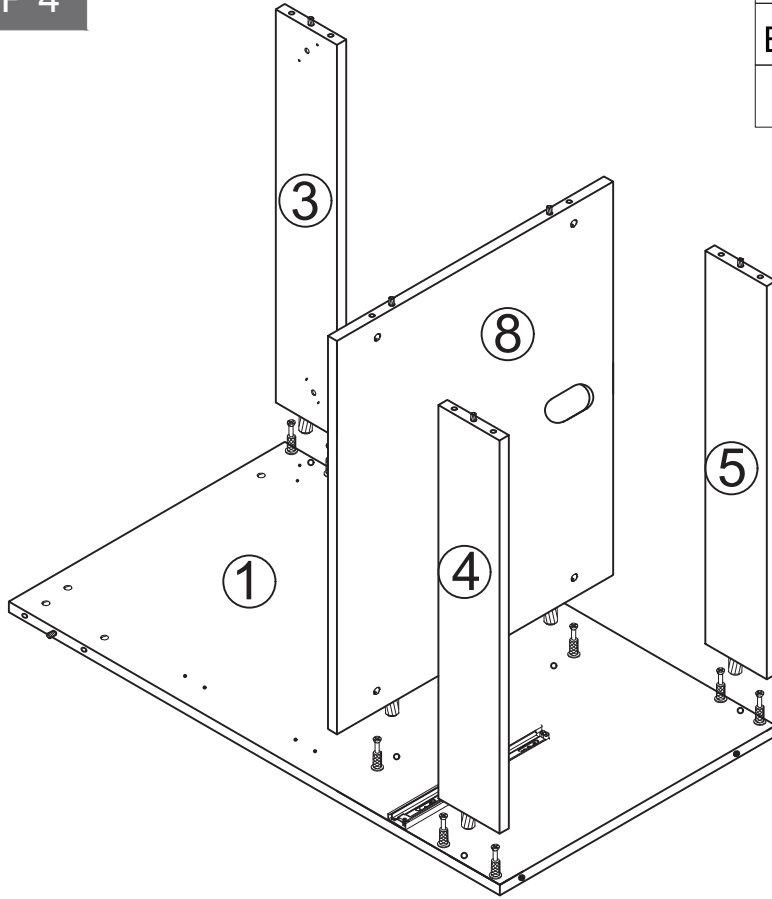
STEP 3


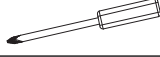


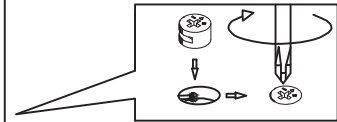
HARDWARE LIST		
C	 Ø8x30mm 12PCS	

The wood shavings are knocked into the corresponding holes

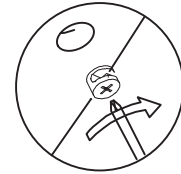
STEP 4



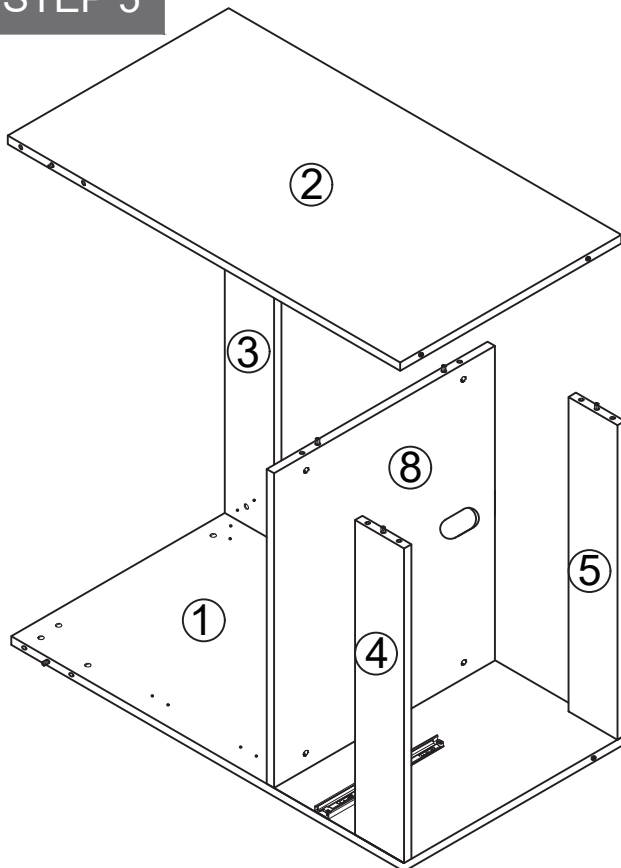
HARDWARE LIST	
B	 8PCS 


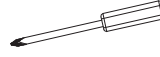


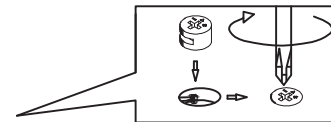
Refer to the illustration,
Then tighten the cam lock with the cover.



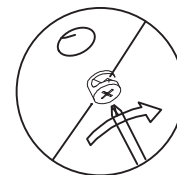
STEP 5



HARDWARE LIST	
B	 8PCS 

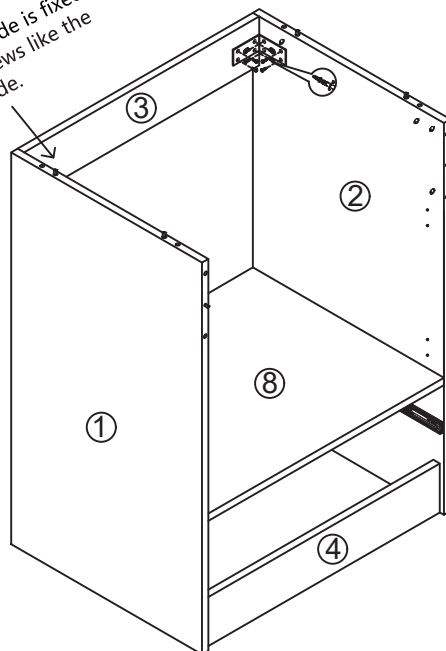


Refer to the illustration,
Then tighten the cam lock with the cover.



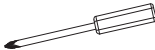


STEP 6

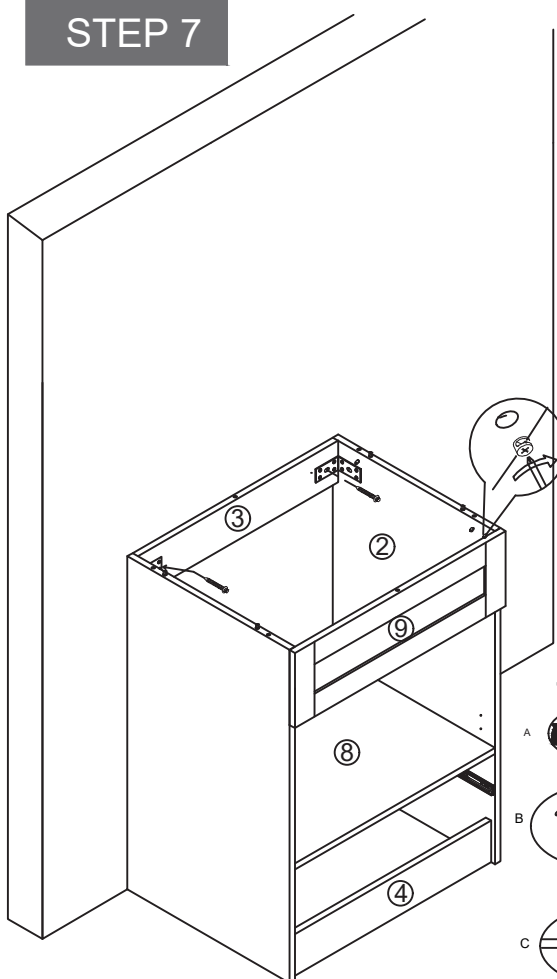
The left side is fixed with screws like the right side.




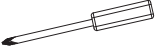

HARDWARE LIST

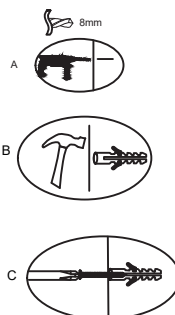
K	 2PCS	
E	 4x14mm 16 PCS	

STEP 7



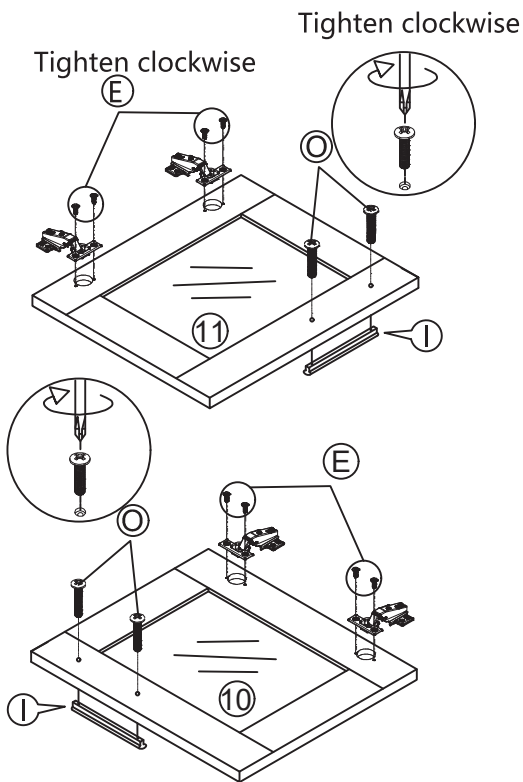
HARDWARE LIST

G	 4x40mm 2 PCS	
B	 10PCS	

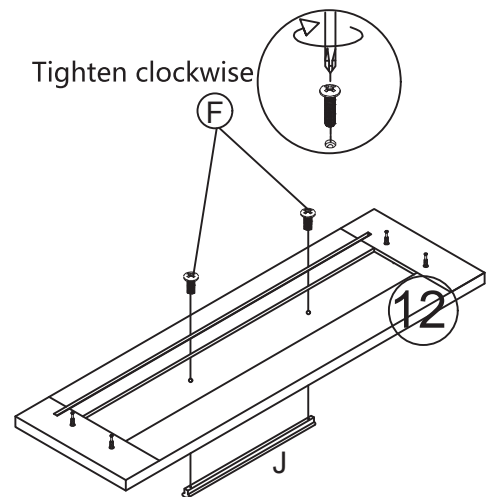


Refer to the illustration,
Then tighten the
cam lock with the
cover.

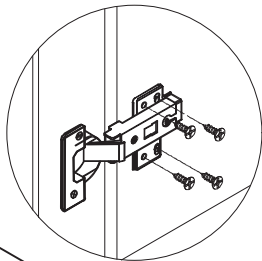
STEP 8



HARDWARE LIST		
D	4PCS	
E	4x14mm 8 PCS	
I	2 PCS	
O	4x19mm 4 PCS	
J	1 PCS	
F	4x8mm 2 PCS	

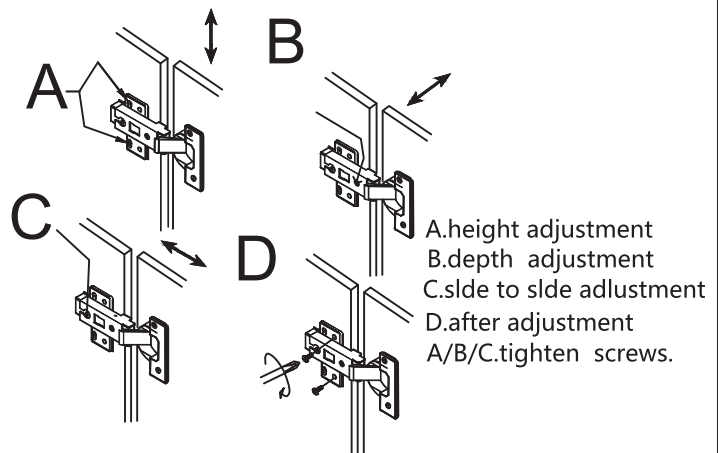
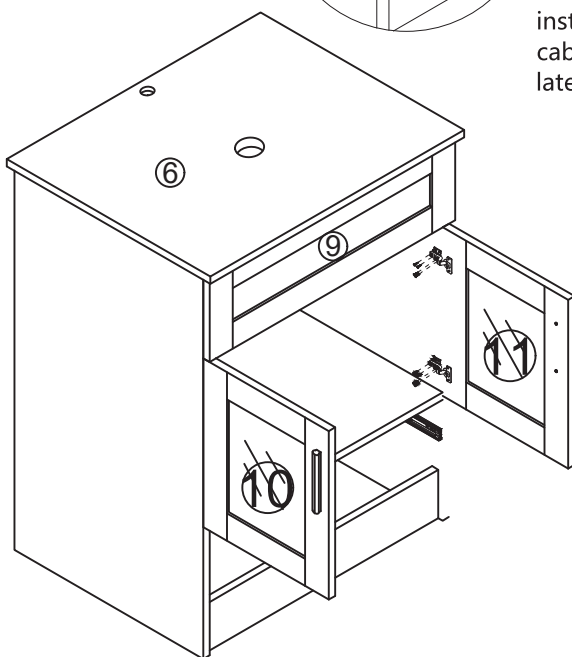


STEP 9


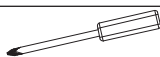



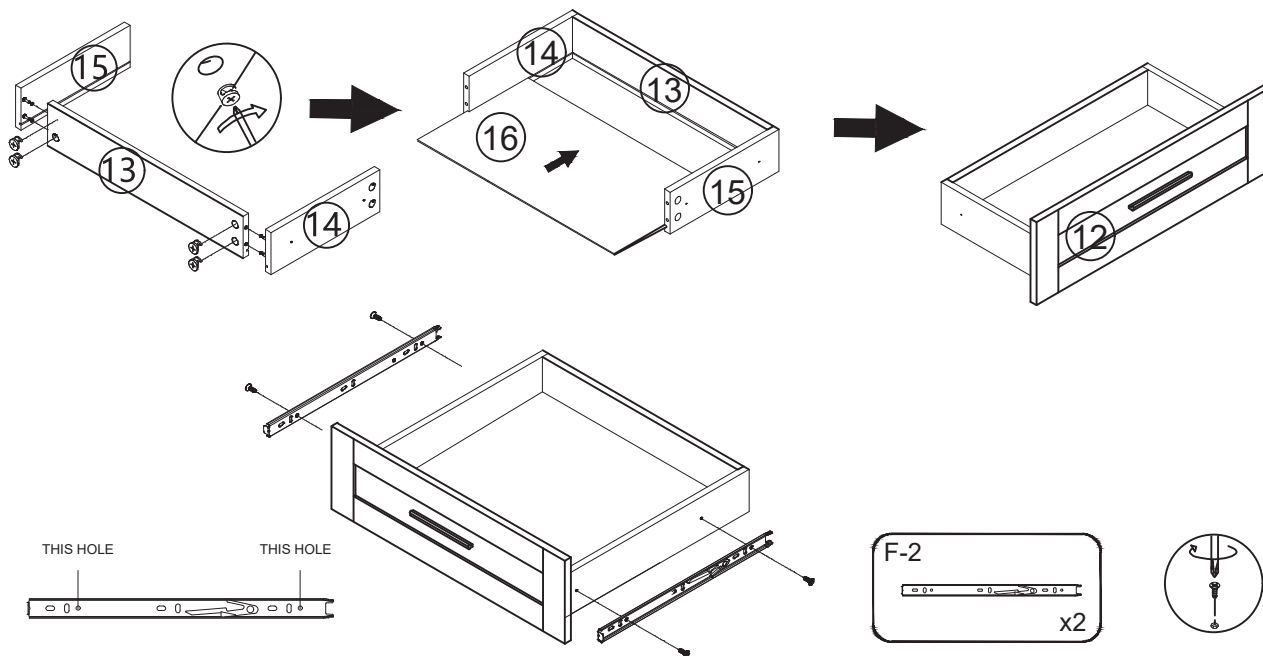
To ensure proper cabinet alignment, refer to the above illustrations for instructions about adjusting the cabinet height, depth and lateral movement.

HARDWARE LIST		
E	4x14mm 16 PCS	



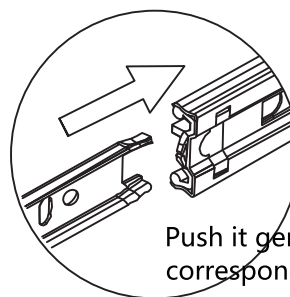
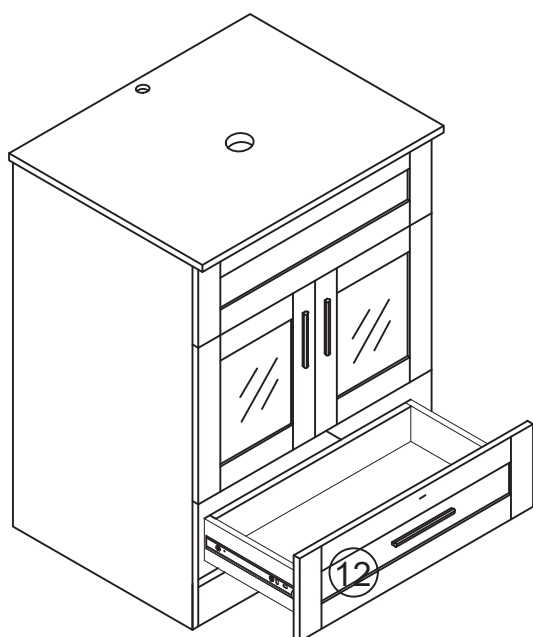
STEP 10

HARDWARE LIST	
B	 8PCS 
E	 4x14mm 4 PCS




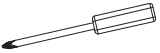

STEP 11

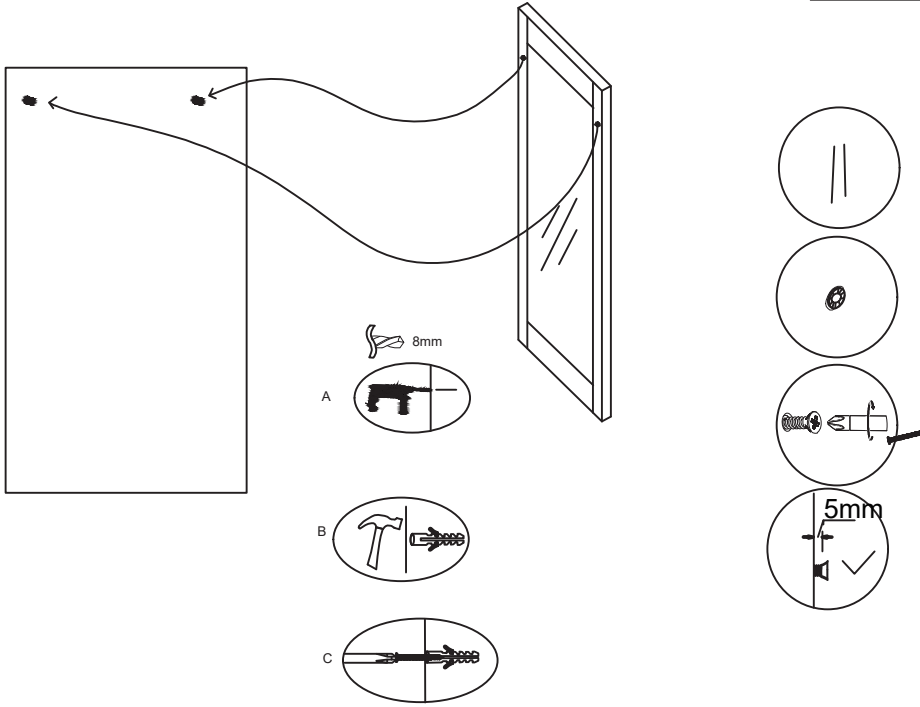
HARDWARE LIST	



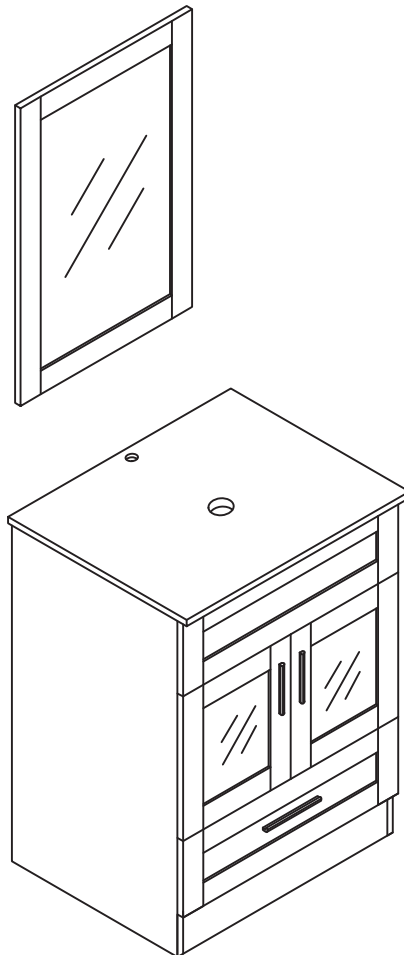
Push it gently into the corresponding card slot.

STEP 12

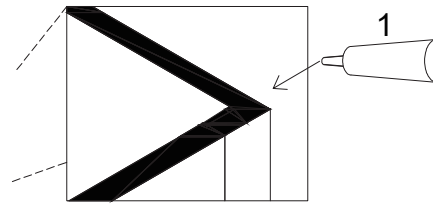
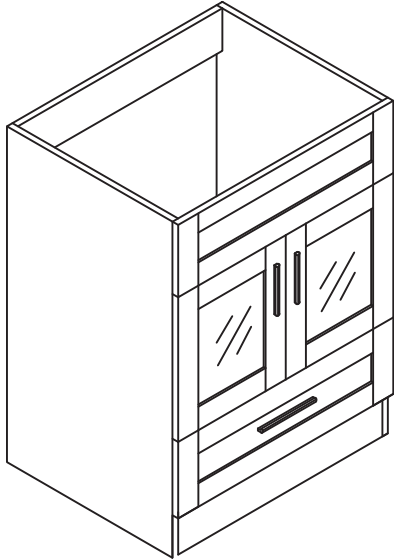
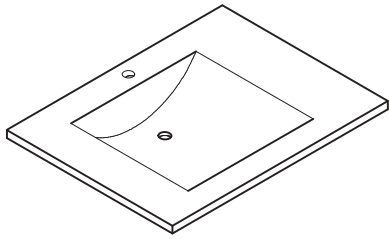
HARDWARE LIST		
G	 4x40mm	
	 2 PCS	



STEP 13



STEP 14



Please follow the instruction below for ceramic vessel suit if the vessel is needed (Vessel sink combo sold separately):

1: Undo step 16 to remove vanity top board #18.

2. Please compare with the picture below and follow the instruction manual to assemble ceramic vessel.

STEP 15

