

ASSEMBLY INSTRUCTIONS

COFFEE TABLE

IMPORTANT: READ THESE INSTRUCTIONS CAREFULLY BEFORE ASSEMBLING OR USING YOUR COFFEE TABLE.

PLEASE KEEP THESE INSTRUCTIONS FOR FUTURE REFERENCE.

HEALTH & SAFETY:

DO NOT use this item if any parts are missing, damaged or worn.

DO NOT use this item unless all fixings are secured.

Please keep small parts out of reach of children.

Always use on a level, even surface.

It is recommended that two people handle and assemble the item.

Advise you use the wall straps provided to further enhance the safety of this product. **CARE &**

MAINTENANCE:

Assemble in the room of use.

To avoid damages assemble the item on a soft, clean surface

Periodically check all screws & fixings to ensure they are secure.

DO NOT push the item as this will damage the base.

Always lift the item with two people to reposition.

Keep any sharp objects away from the item.

This product is manufactured in pine which is a wood with natural characteristics including knots, grains, clusters or indentations.

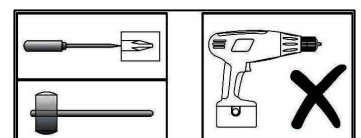
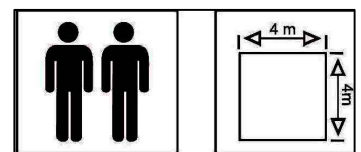
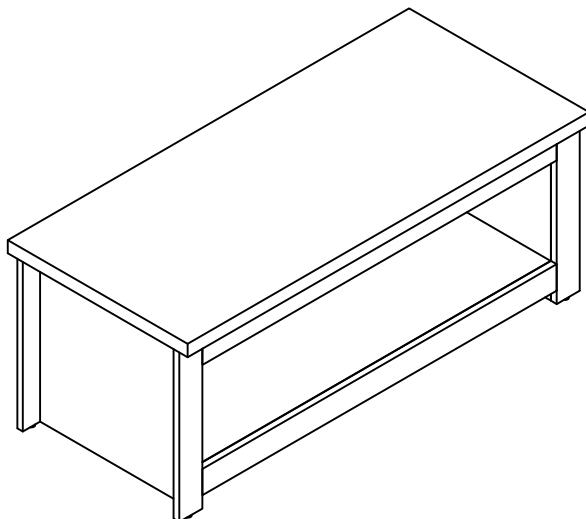
On unpacking the item you may notice an odour due to production processes but this will disappear after a period of time.

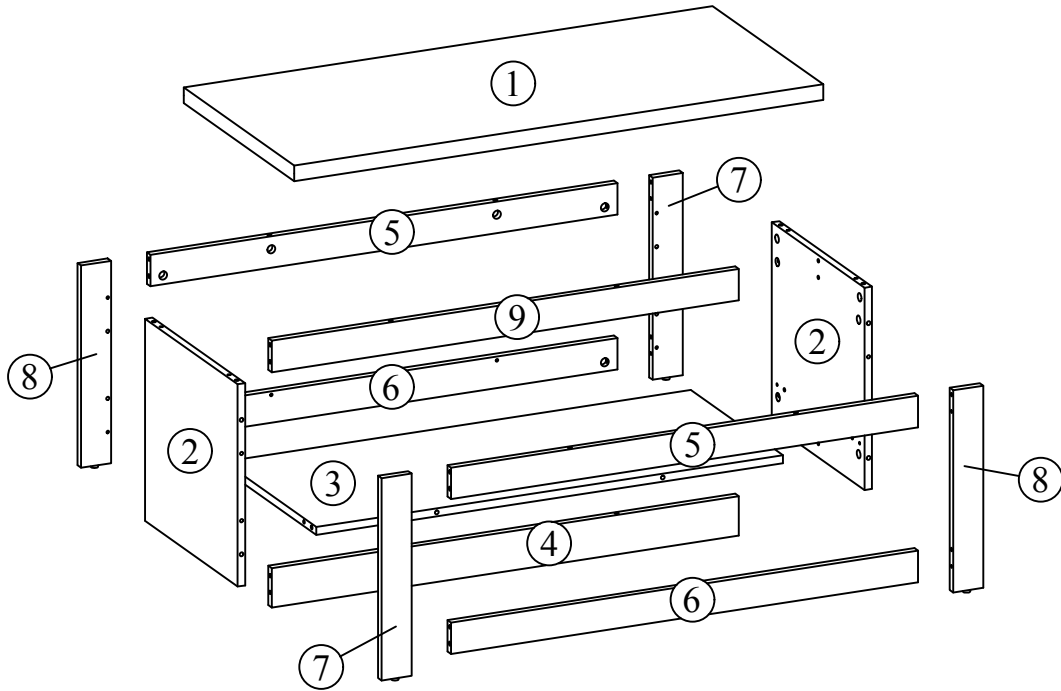
DO NOT place the item next to a radiator or direct sunlight - this item is susceptible to temperature change. It is recommended an even room temperature be maintained with no sudden fluctuations.

DO NOT place hot or cold items directly onto the surface of the item as marking will occur

For general cleaning use a duster or damp cloth (almost dry) not wet - do not use soap and water, detergents, aerosol sprays or any polish as use of these materials would invalidate any claims.

DO NOT place the item onto wet or damp flooring as staining may occur to the floor.









PARTS LIST

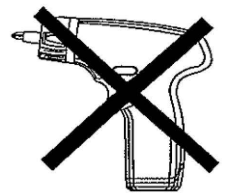
Carton 1 of 1:

Part	Description	Qty
1	Top Panel	1
2	Left Panel & Right Panel	2
3	Bottom Panel	1
4	Plinth Panel	1
5	Top Front & Top Back Post Panel	2
6	Bottom Front & Bottom Back Post Panel	2
7	Left Front & Right Back Post Panel	2
8	Right Front & Left Back Post Panel	2
9	Top Support Panel	1

HARDWARE LIST: Carton 1 of 1





Part	Description	Qty
A	CAM NUT 15mm 	36
B	CAM BOLT 	36
C	WOOD DOWEL M6 x 25mm 	32
D	PVC NAIL 	4

** You will need a screwdriver and a small mallet (NOT provided)



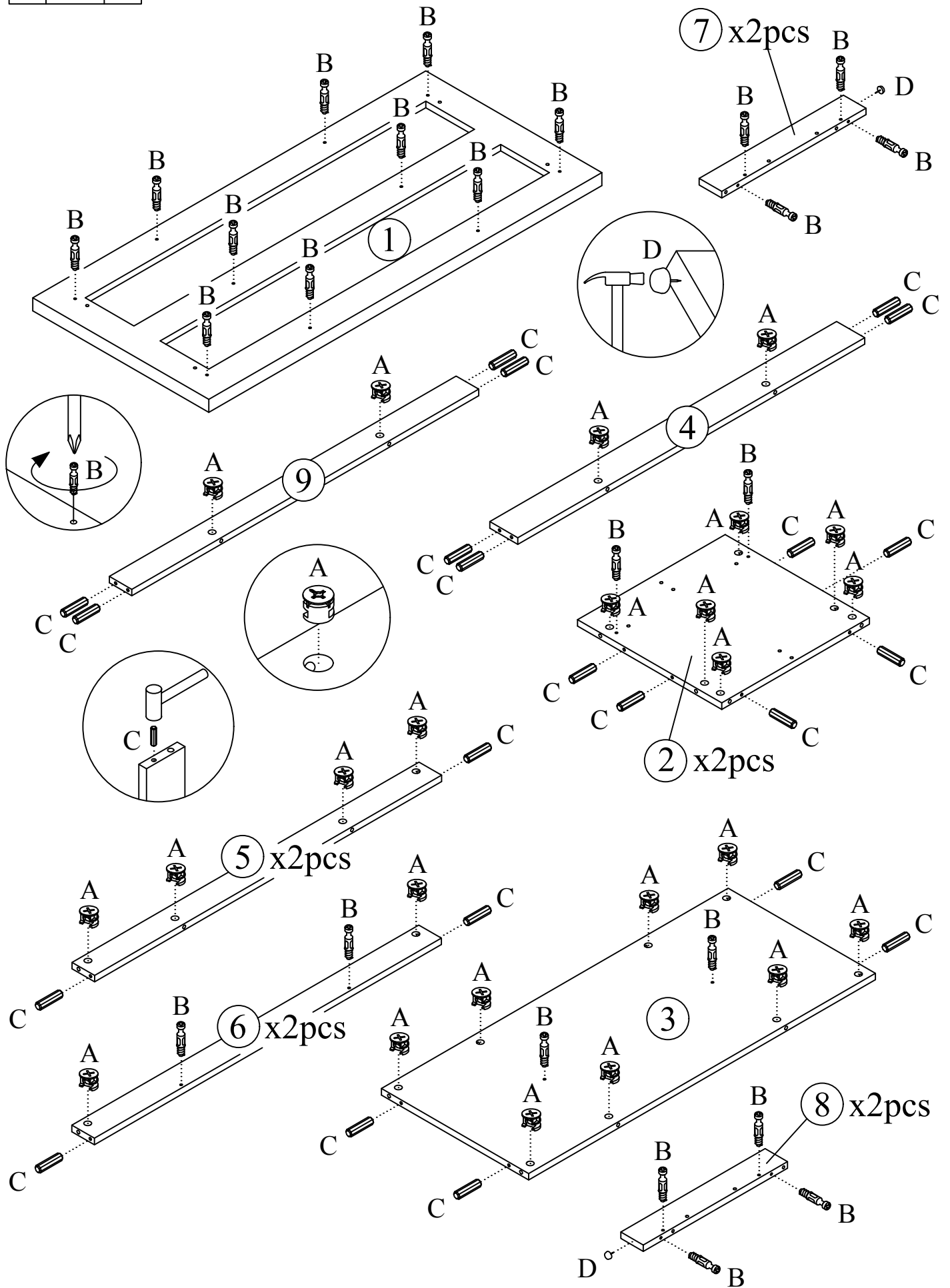
** WARNING: THE USE OF POWER TOOLS TO ASSEMBLE THIS PRODUCT WILL INVALIDATE ANY CLAIM AND MAY DAMAGE THIS PRODUCT MAKING IT UNSAFE.

1

A		36
B		36
C		32
D		4

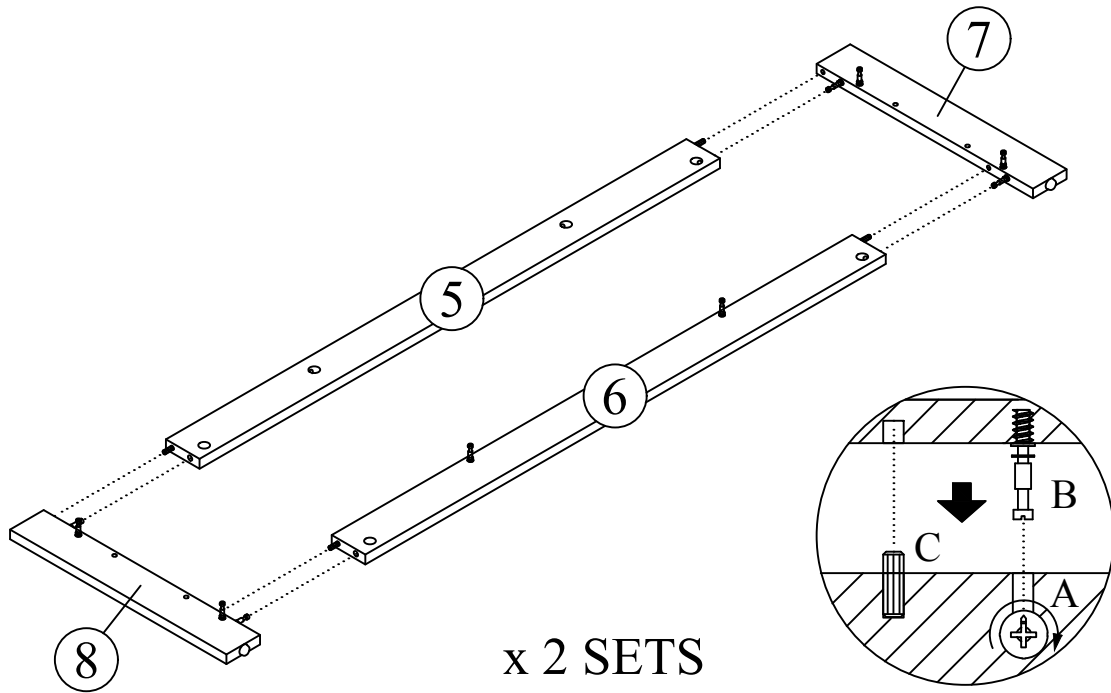
Insert hardware part A & part B using a screwdriver (not provided). Insert hardware part C using a small mallet (not provided). Insert hardware part D using a small mallet (not provided).

DO NOT use any power tools as this may damage the frame and will invalidate any claim.



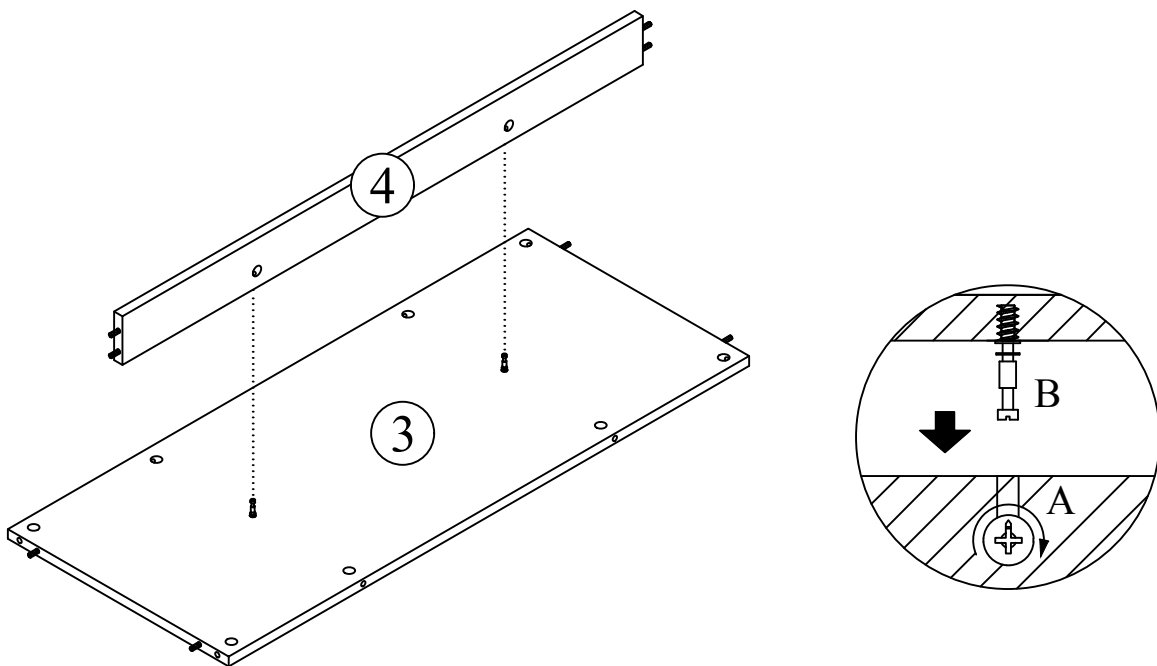
2

Attach the Left Front & Right Back Post Panel (7) and Right Front & Left Back Post Panel (8) to Top Front & Top Back Post Panel (5) and Bottom Front & Bottom Back Post Panel (6) by screwdriver (not provided). **DO NOT** use any power tools as this may damage the frame and will invalidate any claim.



3

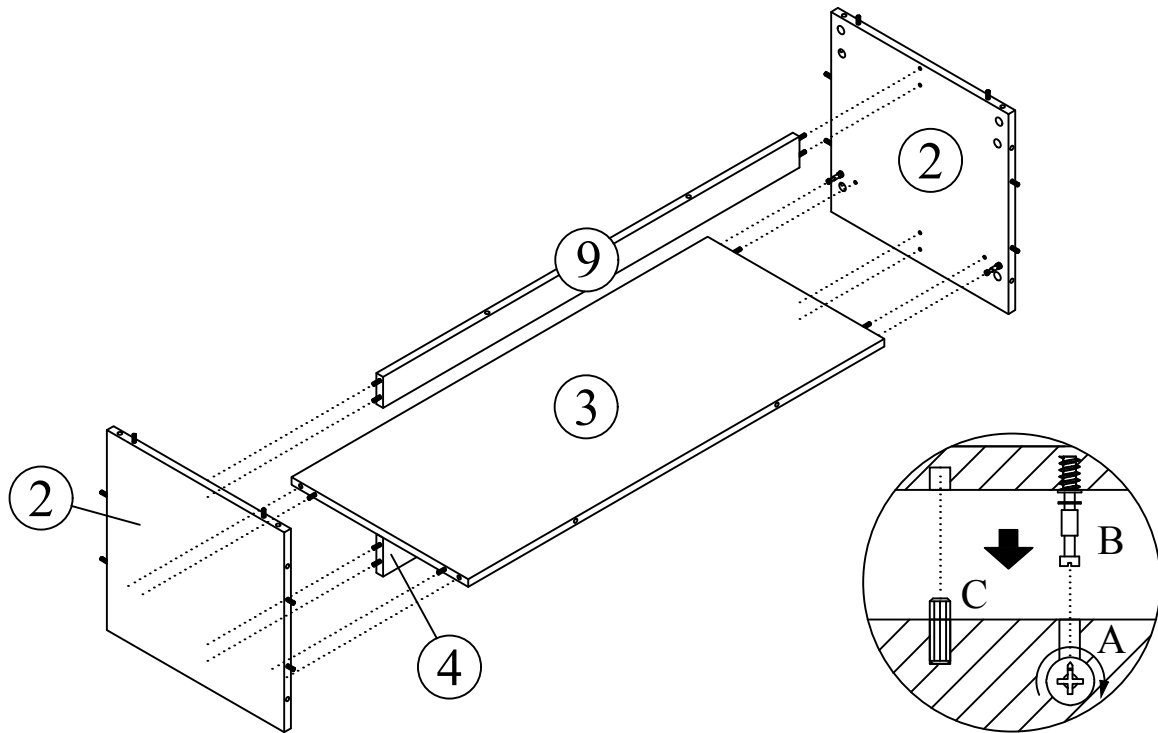
Attach the Plinth Panel (4) to Bottom Panel (3) by screwdriver (not provided). **DO NOT** use any power tools as this may damage the frame and will invalidate any claim.



4

Attach the Left Panel & Right Panel (2) to Bottom Panel (3) and Bottom Support Panel (4) and Top Support Panel (9) by screwdriver (not provided).

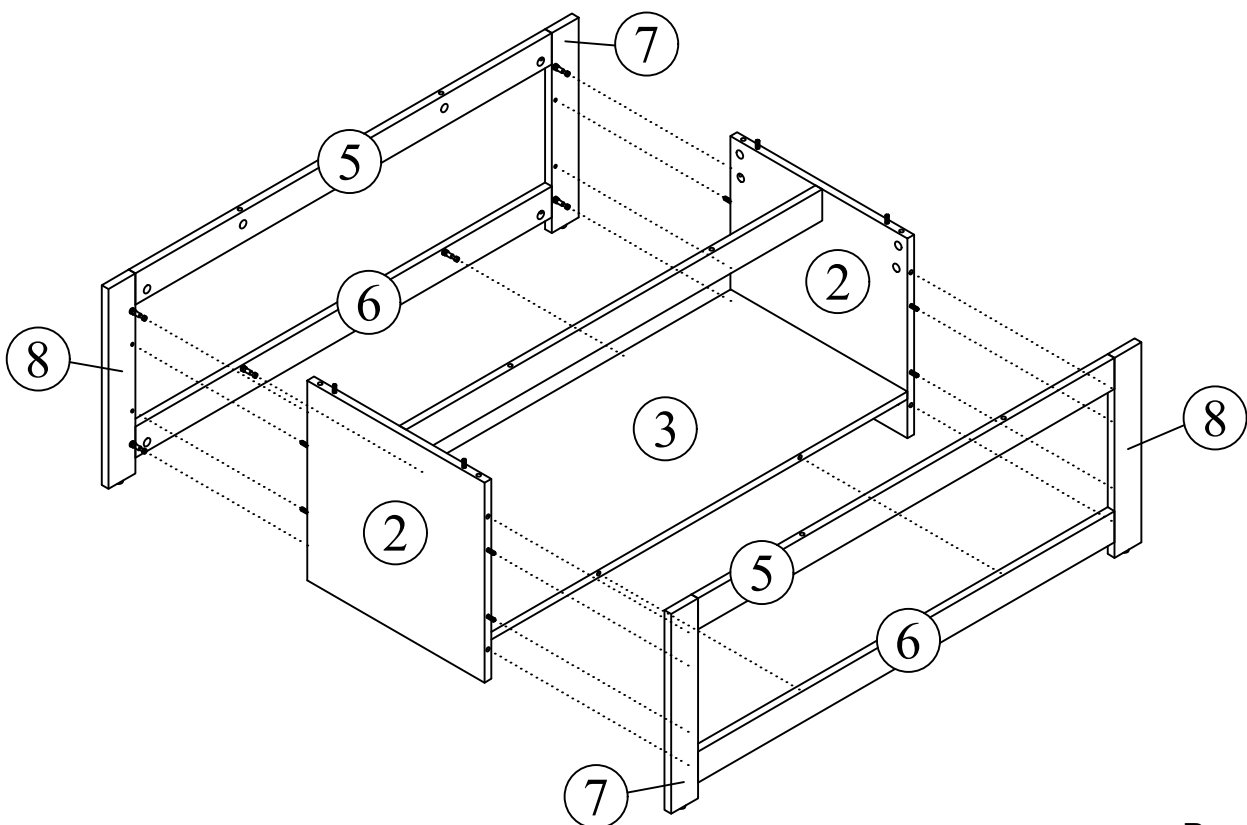
DO NOT use any power tools as this may damage the frame and will invalidate any claim.



5

Attach the Bottom Front & Bottom Back Post Panel (6) and Left Front & Right Back Post Panel (7) and Right Front & Left Back Post Panel (8) to Left Panel & Right Panel (2) and Bottom Panel (3) by screwdriver (not provided).

DO NOT use any power tools as this may damage the frame and will invalidate any claim.



6

Attach the Top Panel (1) to Left Panel & Right Panel (2) and Top Front & Top Back Post Panel (5) and Top Support Panel (9) by screwdriver (not provided).

DO NOT use any power tools as this may damage the frame and will invalidate any claim.

