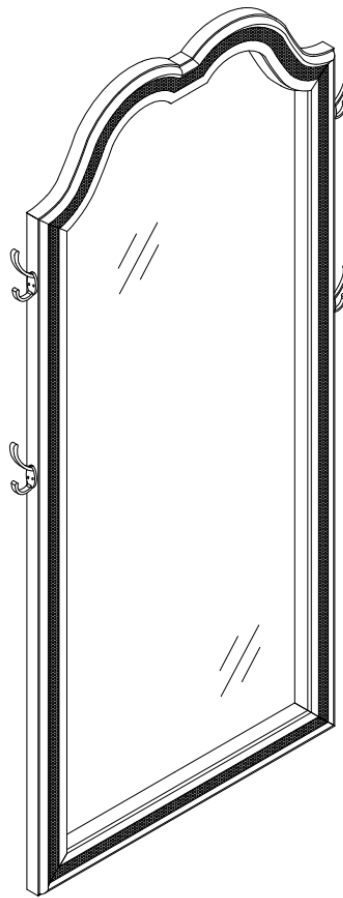


ASSEMBLY INSTRUCTIONS



Fine Furniture for every stage of life

Floor Mirror

ASSEMBLY INSTRUCTIONS

ASSEMBLY TIPS:

1. Remove hardware from box and sort by size.
2. Please check to see that all hardware and parts are present prior to start of assembly.
3. Please follow attached instructions in the same sequence as numbered to assure fast & easy assembly.



WARNING!

1. Don't attempt to repair or modify parts that are broken or defective. Please contact the store immediately.
2. This product is for home use only and not intended for commercial establishments.



ASSEMBLY TIME

5 MINUTES

PARTS IDENTIFICATION

A FLOOR MIRROR



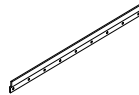
1PC

B HOOK



4PCS

C MIRROR CLIP



1PC

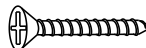
HARDWARE IDENTIFICATION

1 SHORT FLAT HEAD SCREW
(Ø4 x 15mm - NK)



8PCS

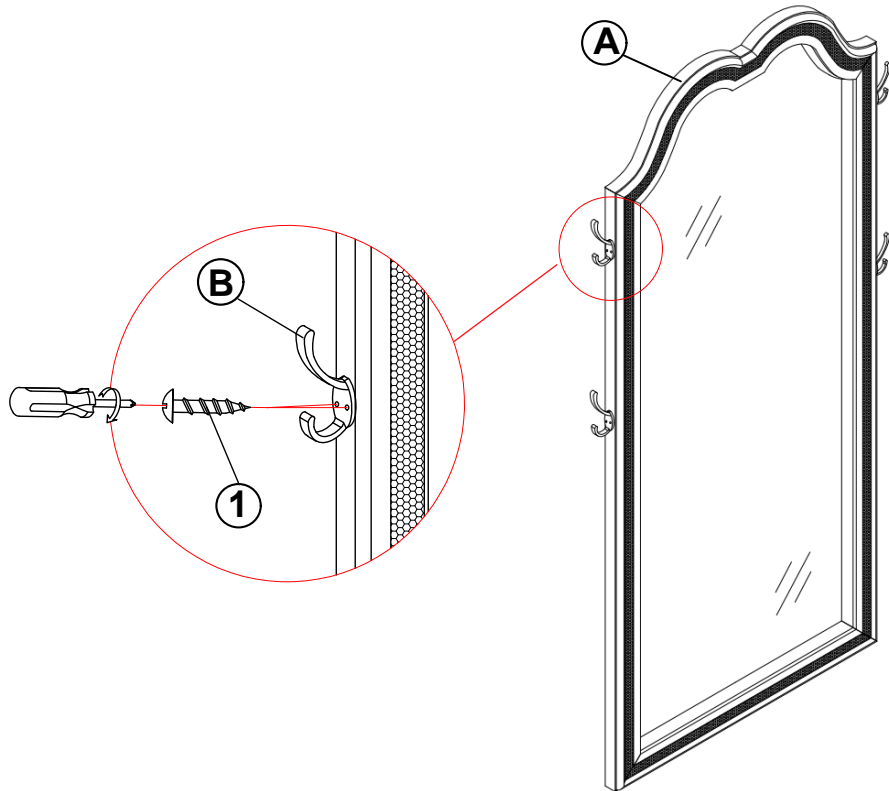
2 LONG FLAT HEAD SCREW
(Ø4 x 25mm - NK)



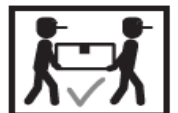
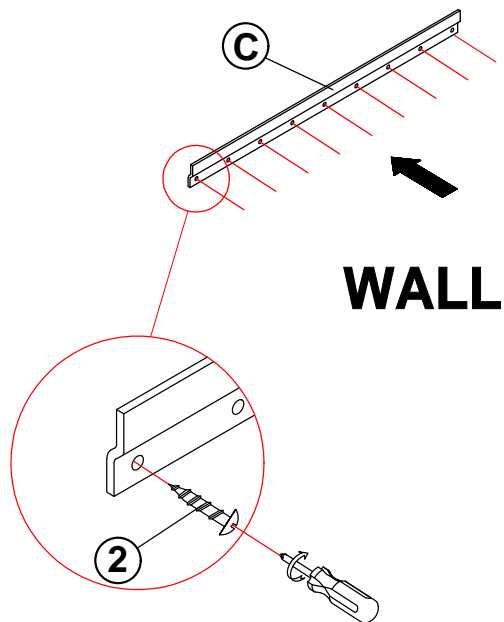
9PCS

ASSEMBLY INSTRUCTIONS

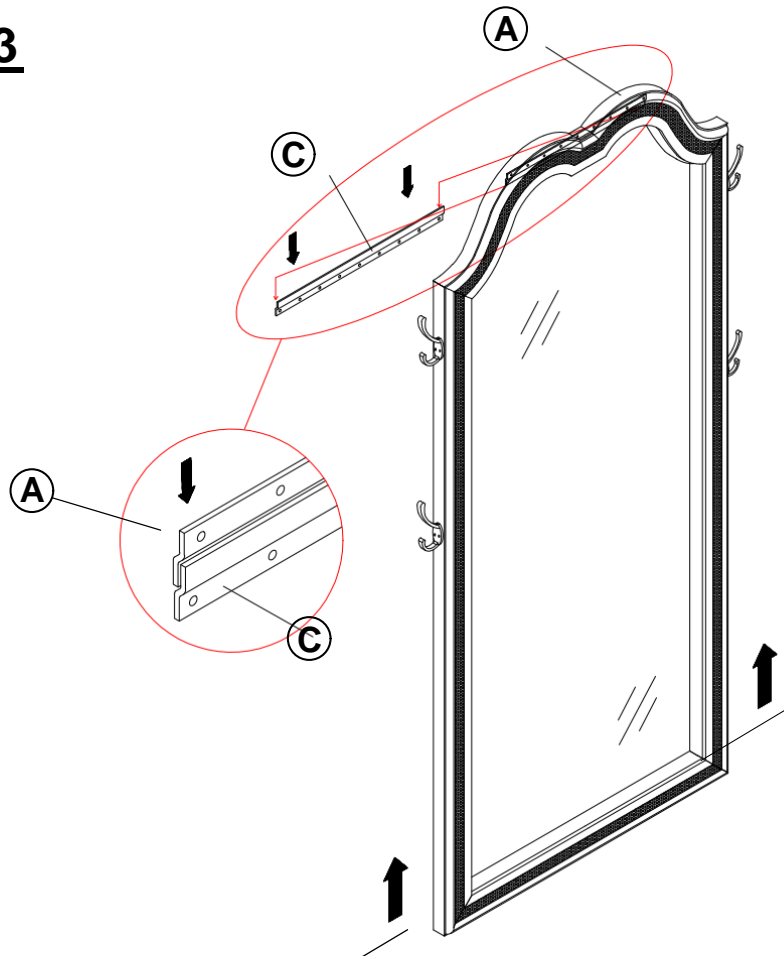
STEP 1



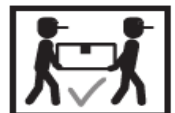
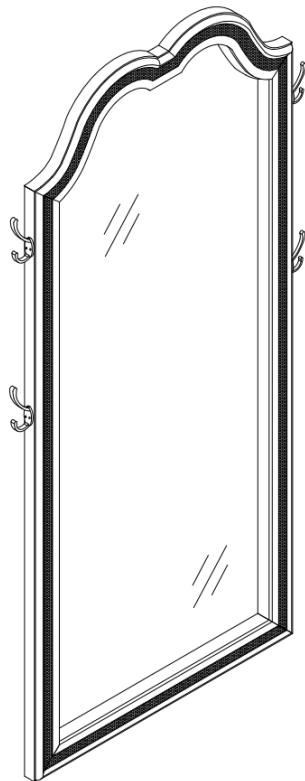
STEP 2

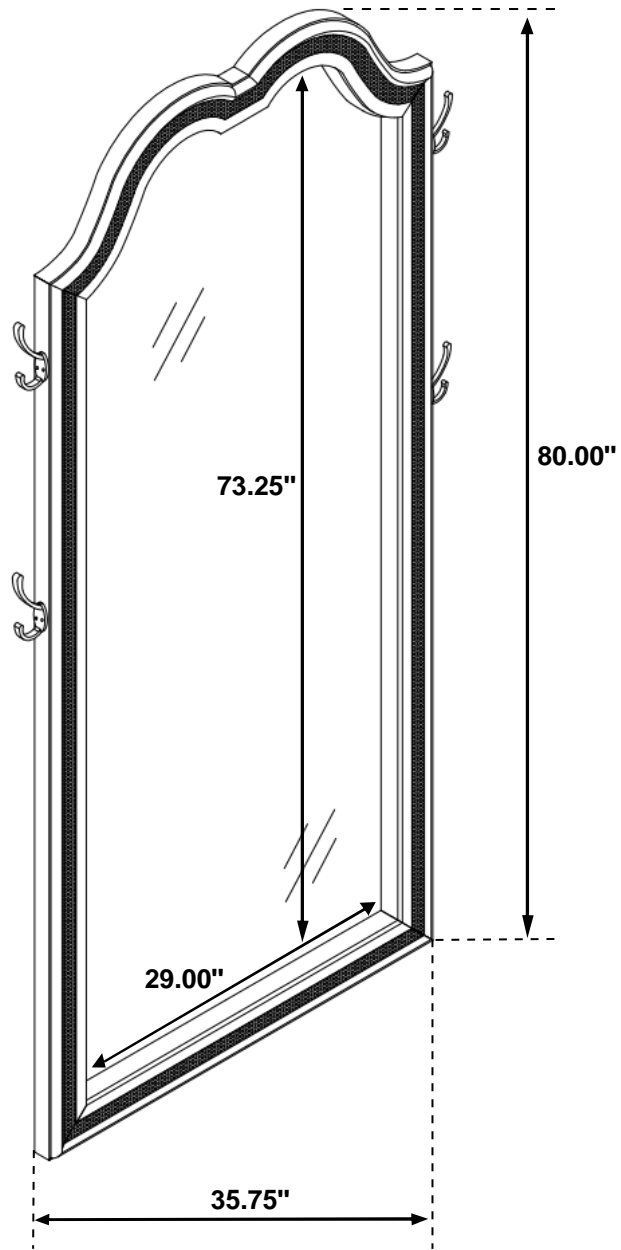


ASSEMBLY INSTRUCTIONS
STEP 3



STEP 4
COMPLETE





Note: Dimension tolerance $\pm 5\%$