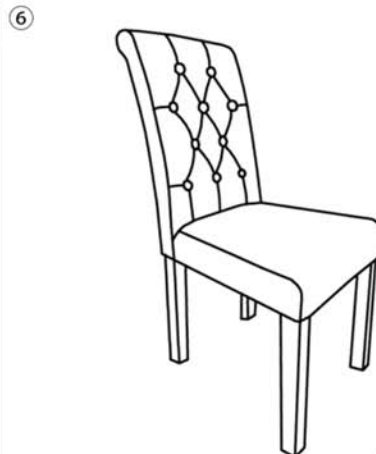
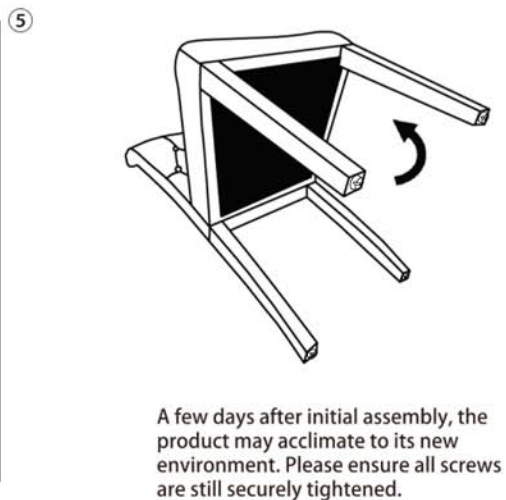
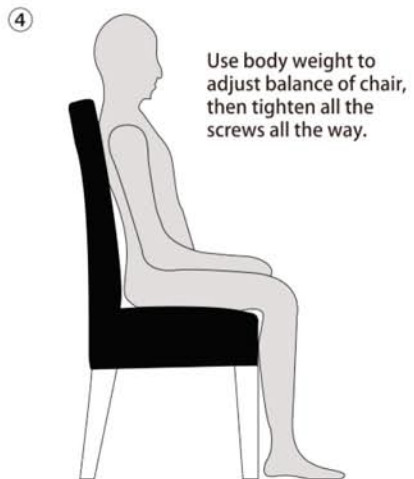
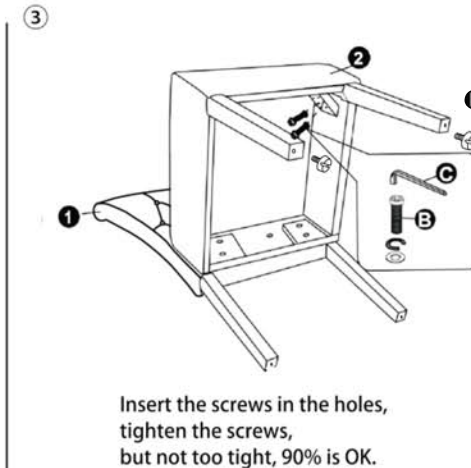
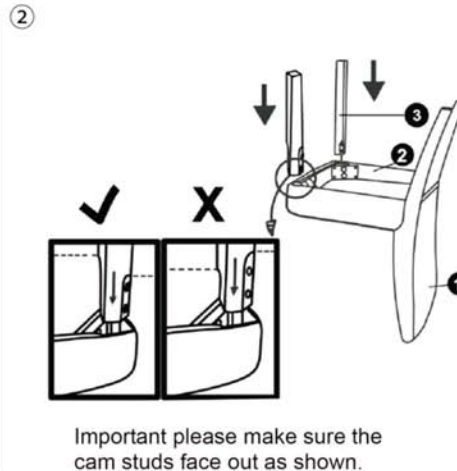
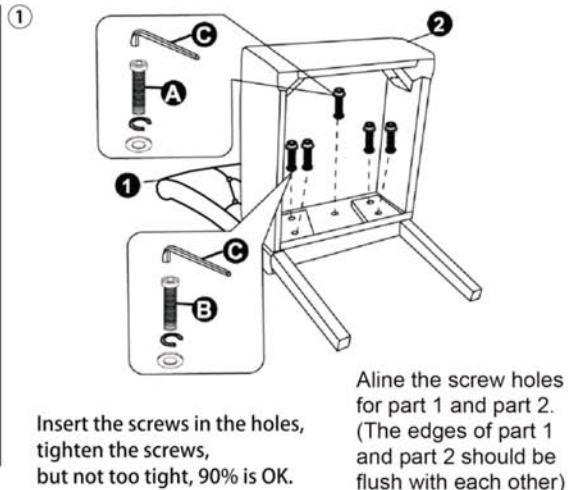
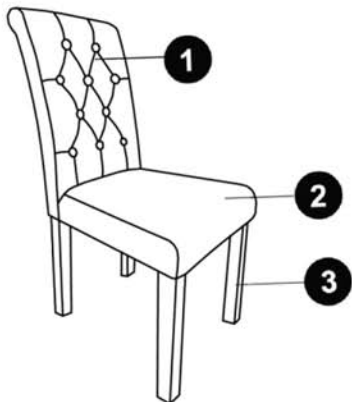


ASSEMBLY INSTRUCTION

CUSTOMER SERVICE :

if you are missing parts or have any questions about this product, contact our customer service representative first!



HARDWARE LIST	CODE	PARTS	QTY.
	1	BACK	1
	2	SEAT	1
	3	FRONT LEG	2
HARDWARE LIST	CODE	PARTS	QTY.
	A	M8X60MM	1
	B	M8X80MM	8
	C	ALLEN KEY	1
	D	ADJUSTING PIN NAILS	2

* Tool kit is in the seat *