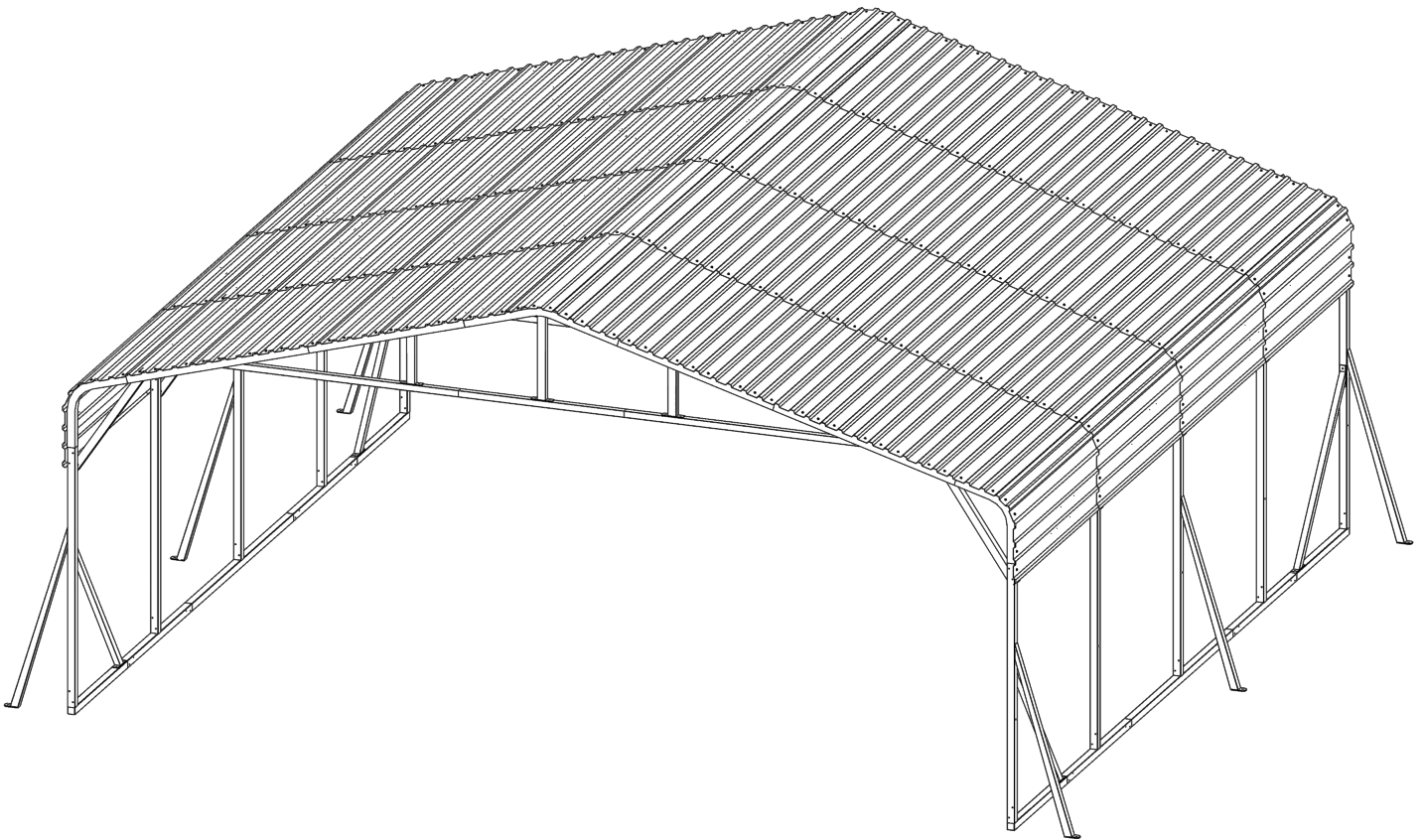


# 20X20 FT Carport

## Instructions for Assembly


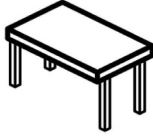






**Minimum of 3 People is required for a safe assembly of the product**

You will receive five separate boxes for this product to be fully assembled. Please make sure all boxes arrived in good condition before assembling. It happens sometimes when boxes arrive separately due to postponed carrier's shipping, and your patience is really appreciated!

If you encounter any problems during the assembly process, contact us anytime !  
[support@sylviera.com](mailto:support@sylviera.com)

## REQUIRED TOOLS

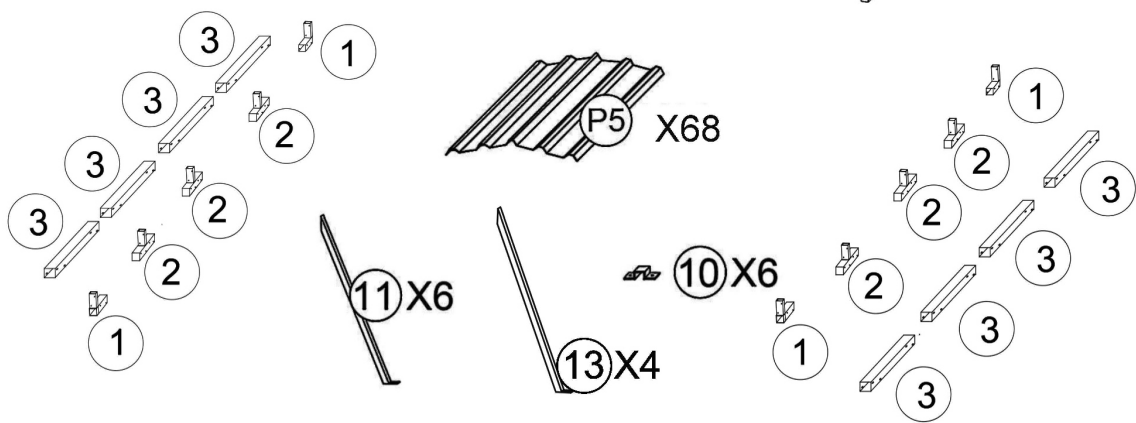
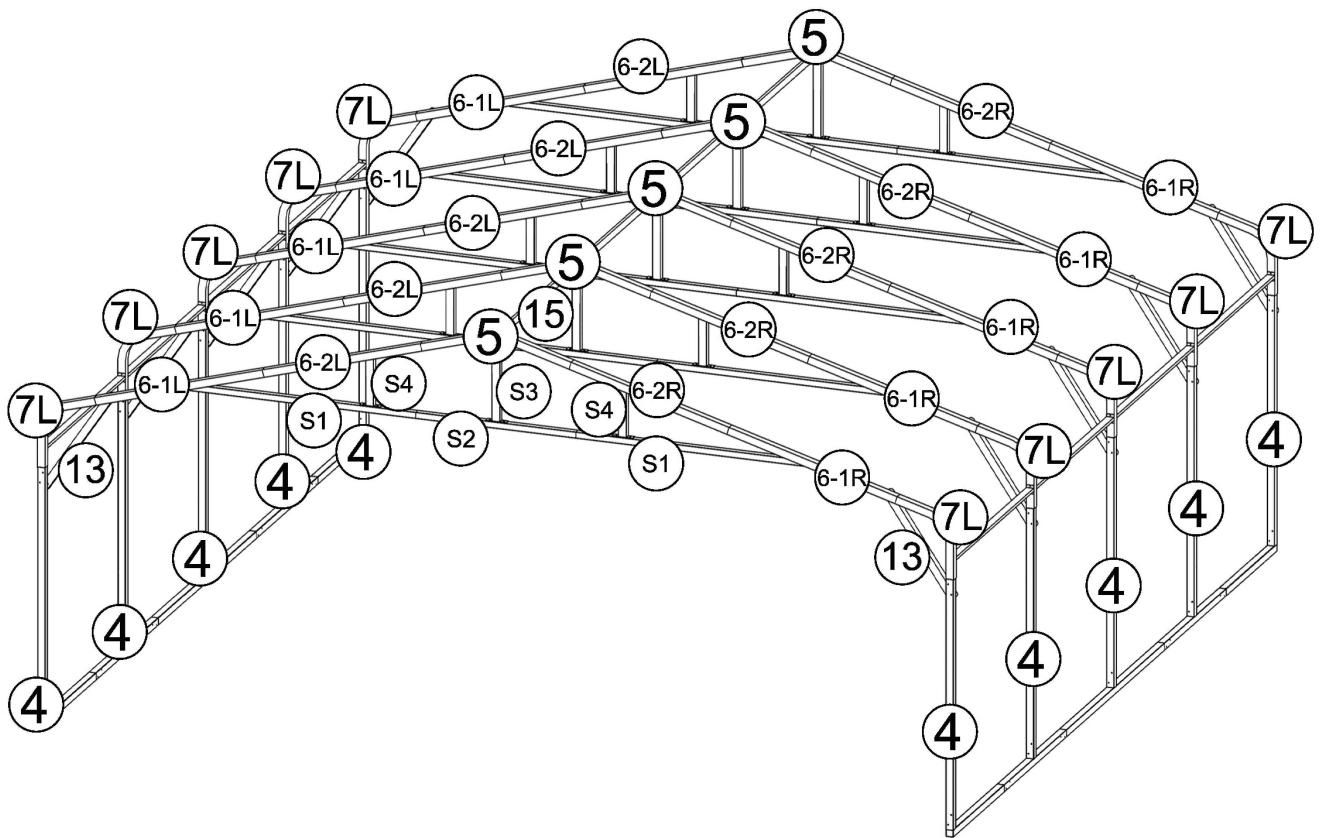
<b>Tools</b>			
	Gloves	Table	Ladder
			
	Power drill	Screw drive	Tape Measure

## ASSEMBLY TIPS

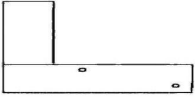
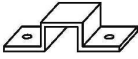
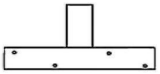



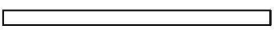

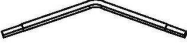



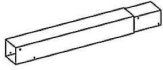
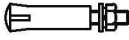

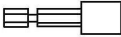


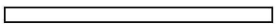





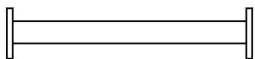



1. Clear a working area to allow access on all four sides. A raised work surface will make assembly easier. It is easier to install the wall panel on the table.
2. All parts are identified, so when working through the instructions page by page, the diagrams show where each part is positioned.
3. Before starting, to avoid any accidental injury, we recommend the use of gloves to protect your hands.
4. Please keep children away from your construction site.
5. Most assembly can be completed by one person, but assistance may be needed when you reach the erection stage.
6. Please note: Some local government authorities have rules & regulations on shed installation, and you may need approval to erect this shed.

## ASSEMBLY STEPS

1. Unpack all components from the carton and lay them out beside your work area. Check parts against the parts list.
2. Work through the assembly instructions page by page.
3. Once assembly is completed, place the shed in position and fix the anchor to the ground.
4. Clean up all metal pieces and screws.



# Hardware List

IMAGE	NO.	QTY	IMAGE	NO.	QTY
	1	X4		10	X6
	2	X6		11	X6
	3	X8		P5	X68
	4	X10		F3	X640
	5	X5		F4	X1
	6-1L	X5		F10	X4
	6-1R	X5		F8	X18
	7L	X5		F9	X2
	7R	X5		F5	X2
	6-2L	X5		adhesive tape	X2
	6-2R	X5		S1	X10
	S2	X5		S3	X5
	9	X8		S4	X10
	F10	X70		F12	X20



# STEP 1

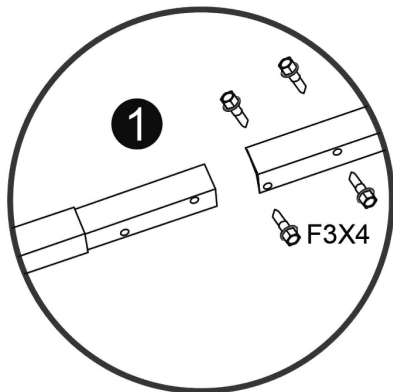
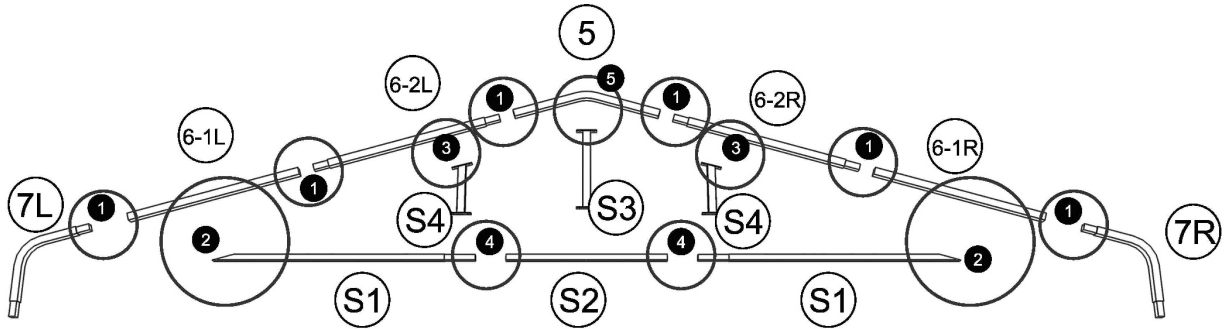
Note: 6-1L and 6-1R hole orientations, connected to the S1 part;

Note: 6-2L and 6-2R hole orientations, connected to the S4 part;

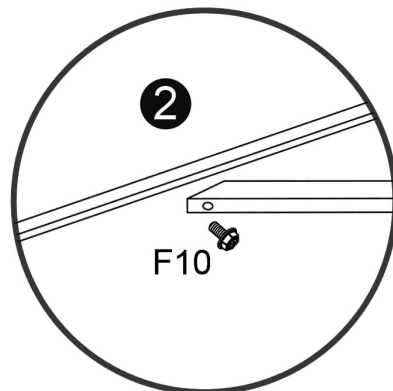
Note: 5 hole orientations, connected to the S3 part;

Note: There are two hole positions on the bottom of both 7L and 7R for connecting Part 9. Do not install them in the reverse direction.

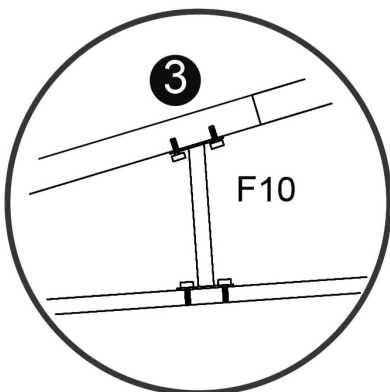
# X5



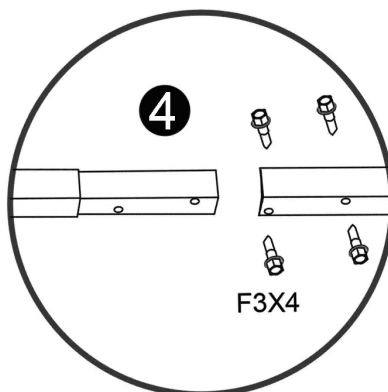
X6



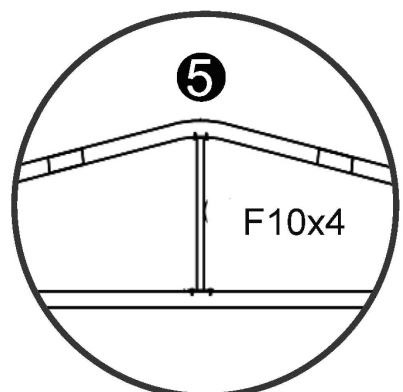
X2



X2



X2



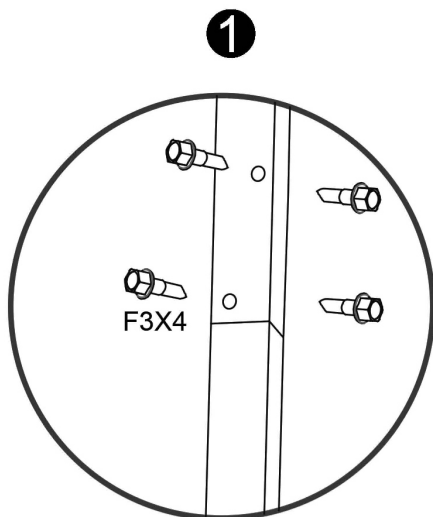
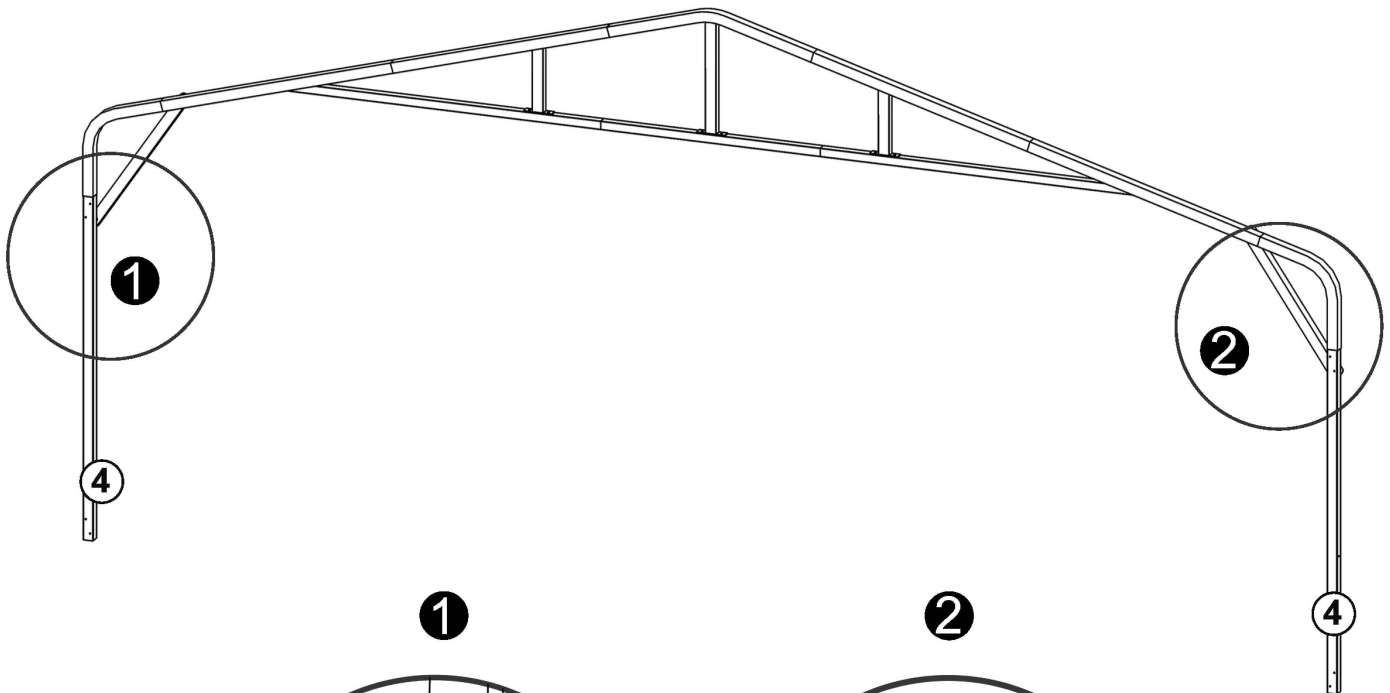
X1

F10		x70	F3		x160
-----	---	-----	----	---	------

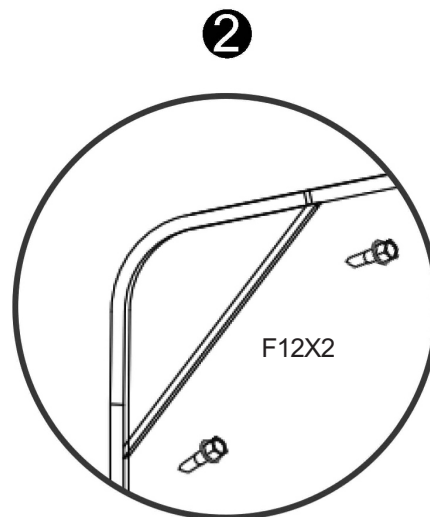
# STEP 2

# X5

Note: No. 4 column rod with hole position facing inward



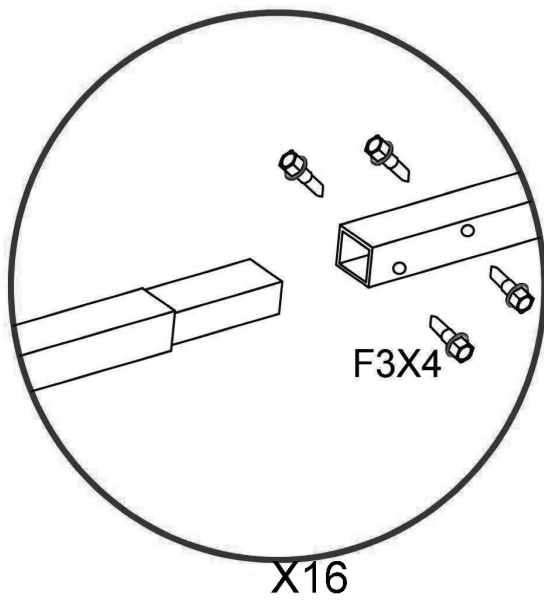
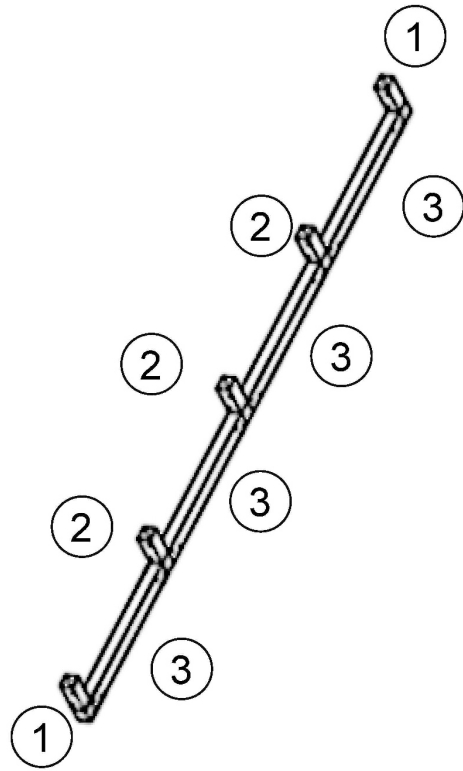
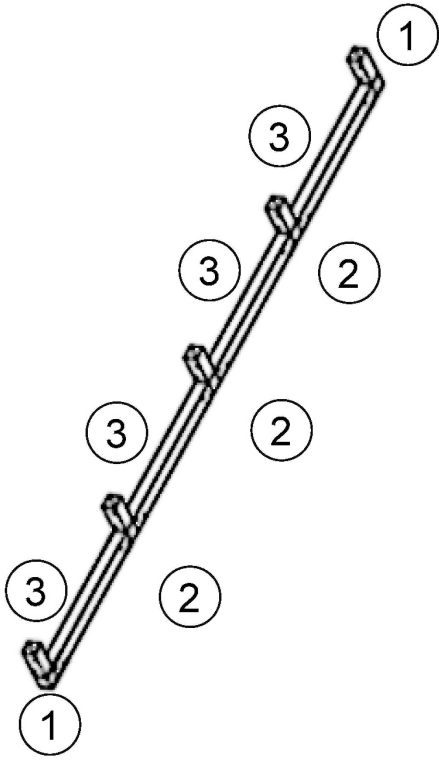
X2




X2

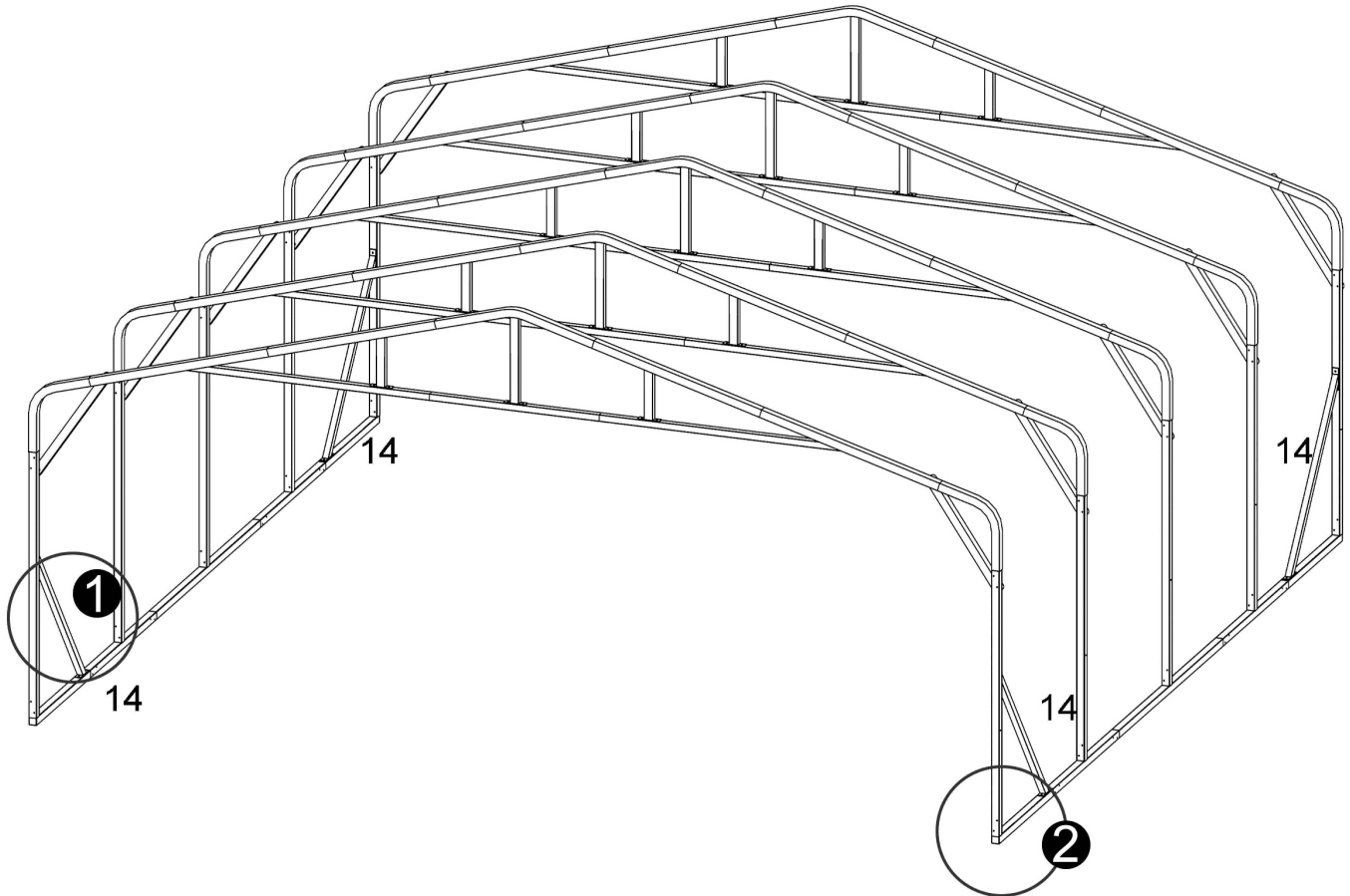
F12		X20	F3		X40
-----	---	-----	----	---	-----

# STEP 3

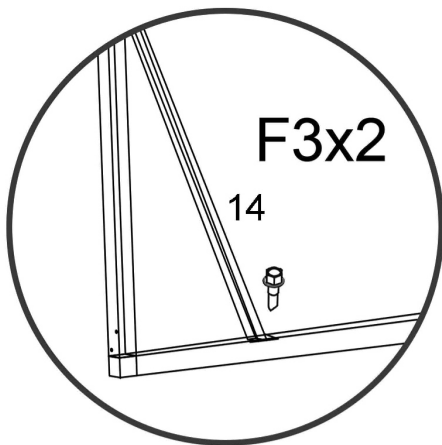


F3		X64
----	---	-----

# STEP 4

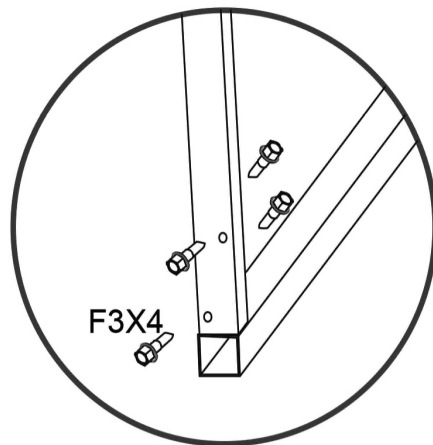


1




X4

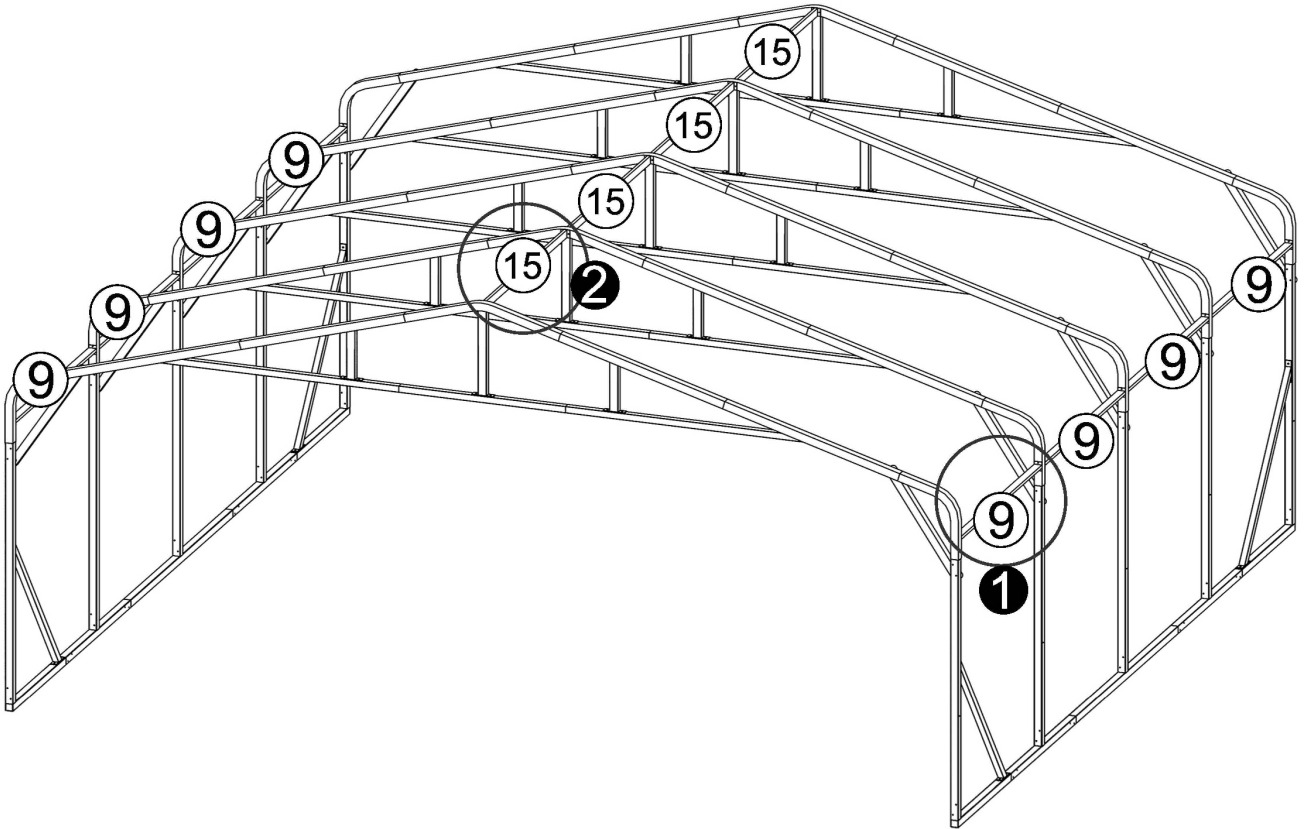
2



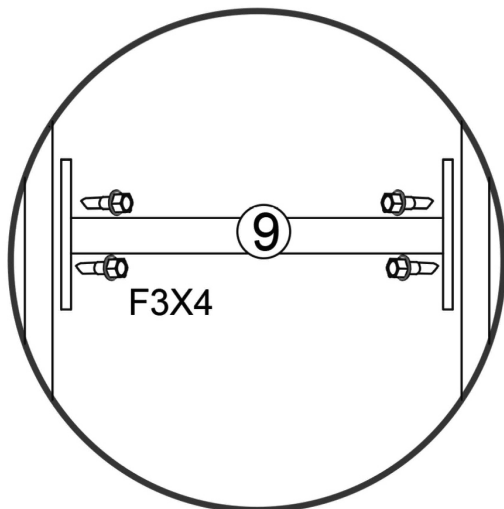
X10

F3		x48
----	---	-----

# STEP 5

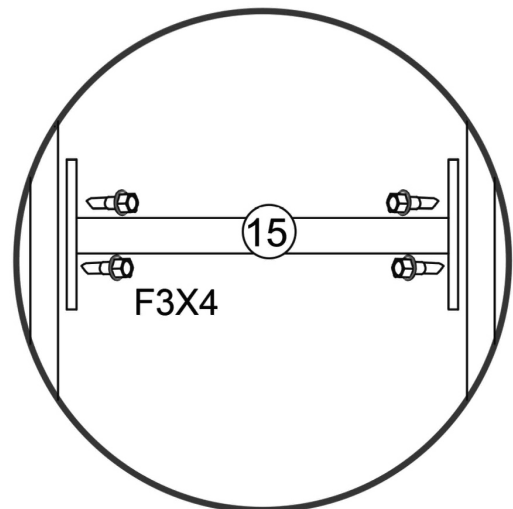


1




X8

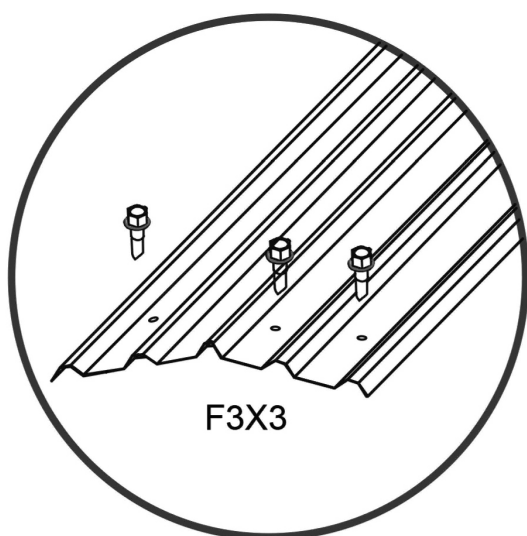
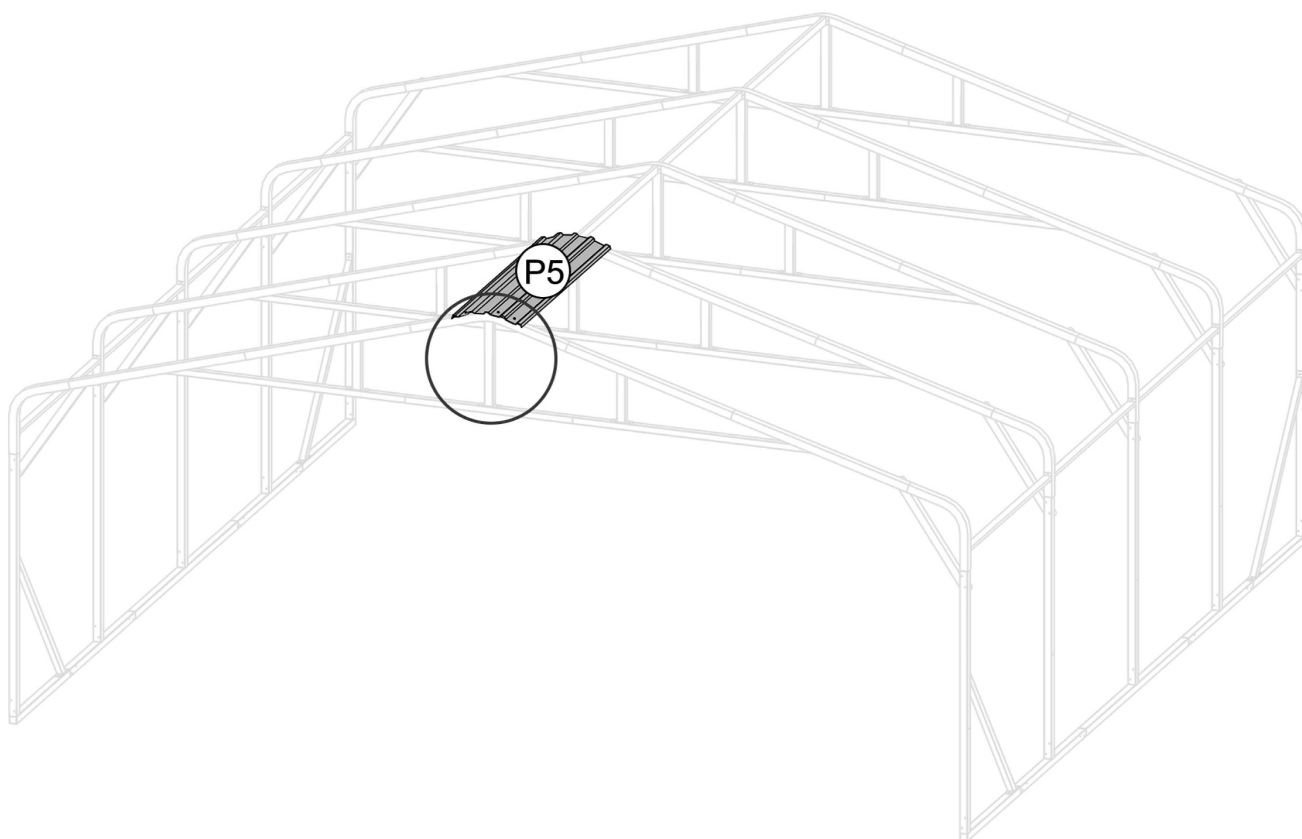
2




X4

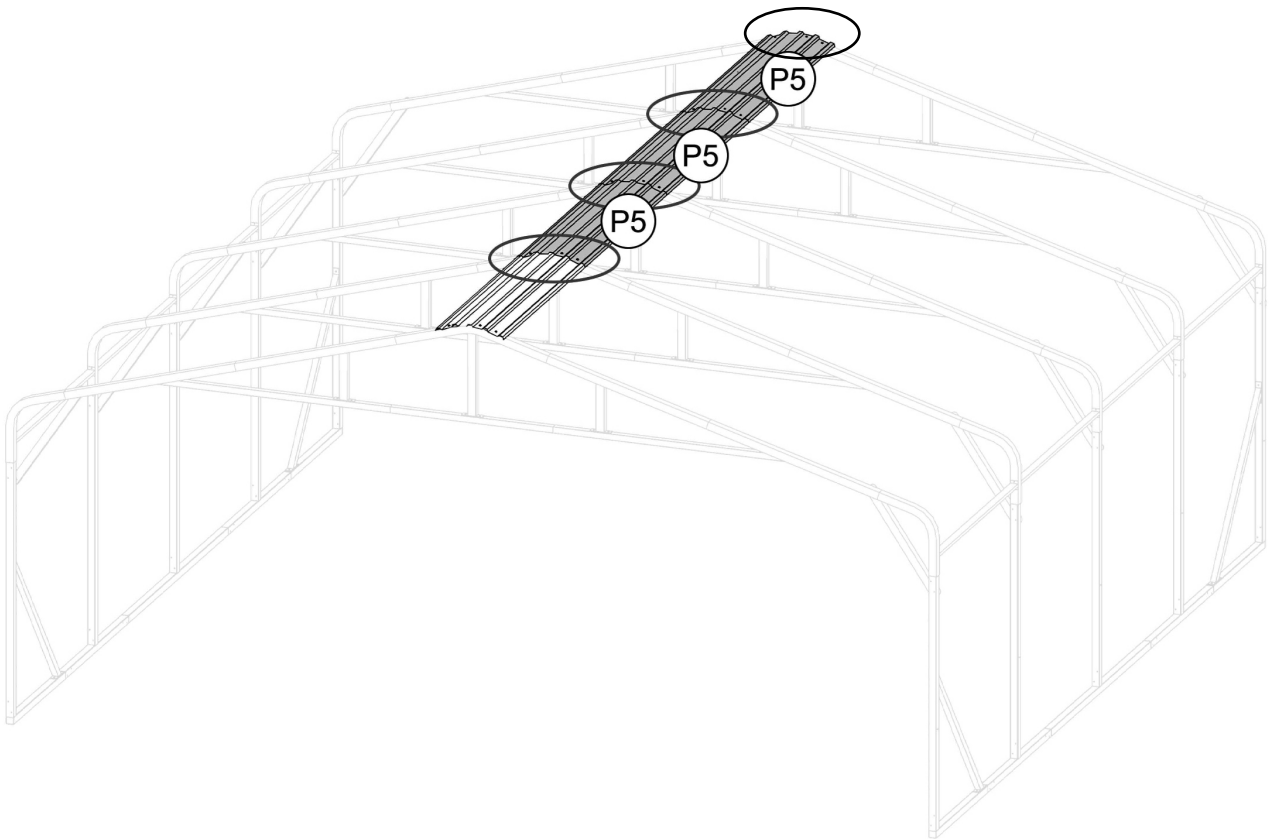
F3		x48
----	---	-----

# STEP 6

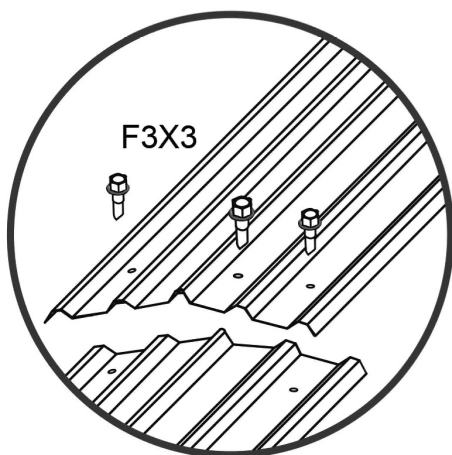


F3		X3
----	---	----


# STEP 7



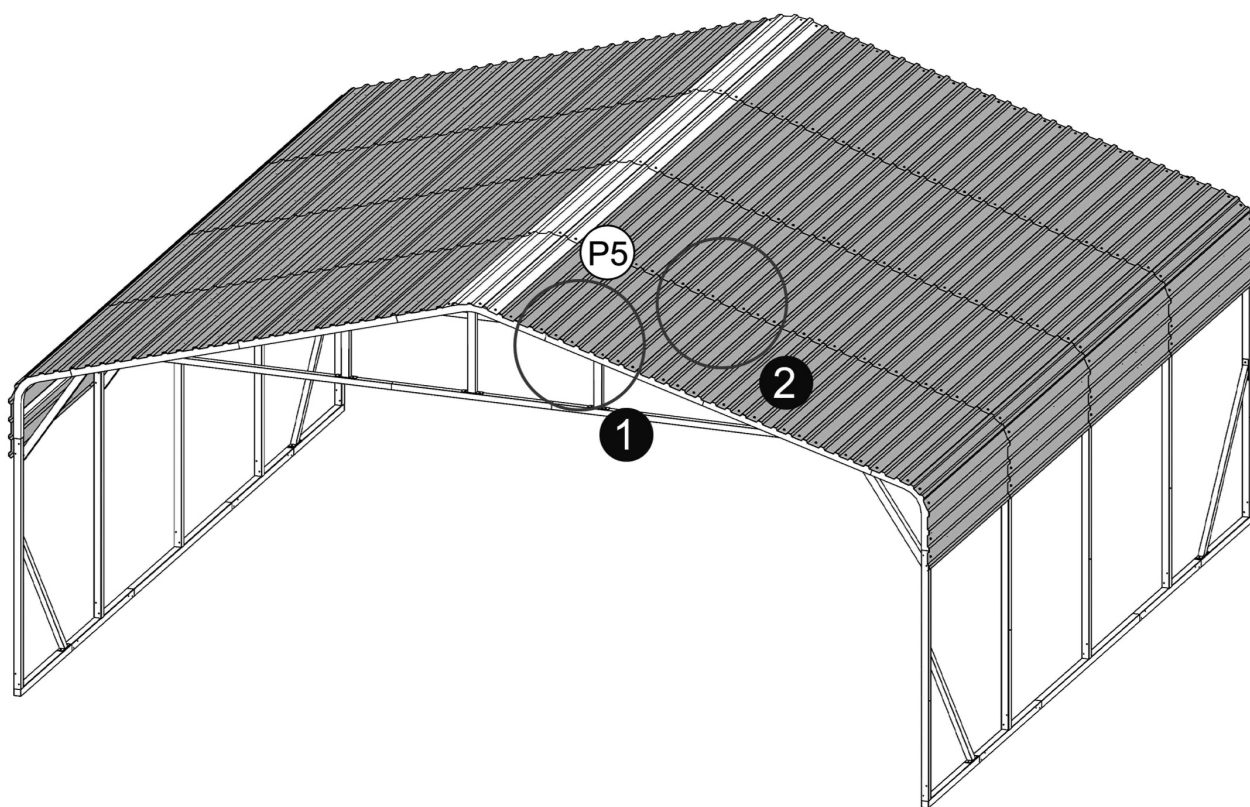
Apply a layer of waterproof tape to the outside of the seams of the two layers of tin, which can effectively prevent leakage of the carport



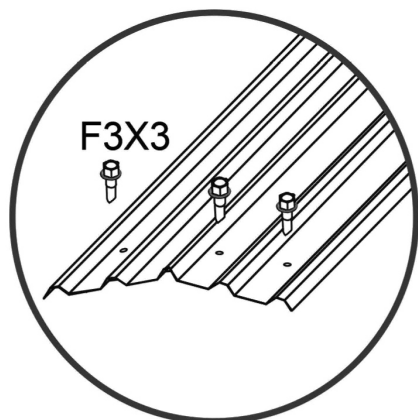
X4

F3		X12
----	---	-----

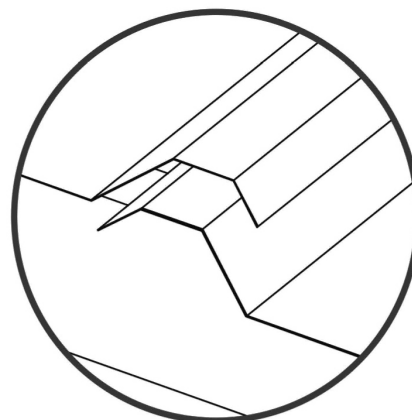
# STEP 8




1



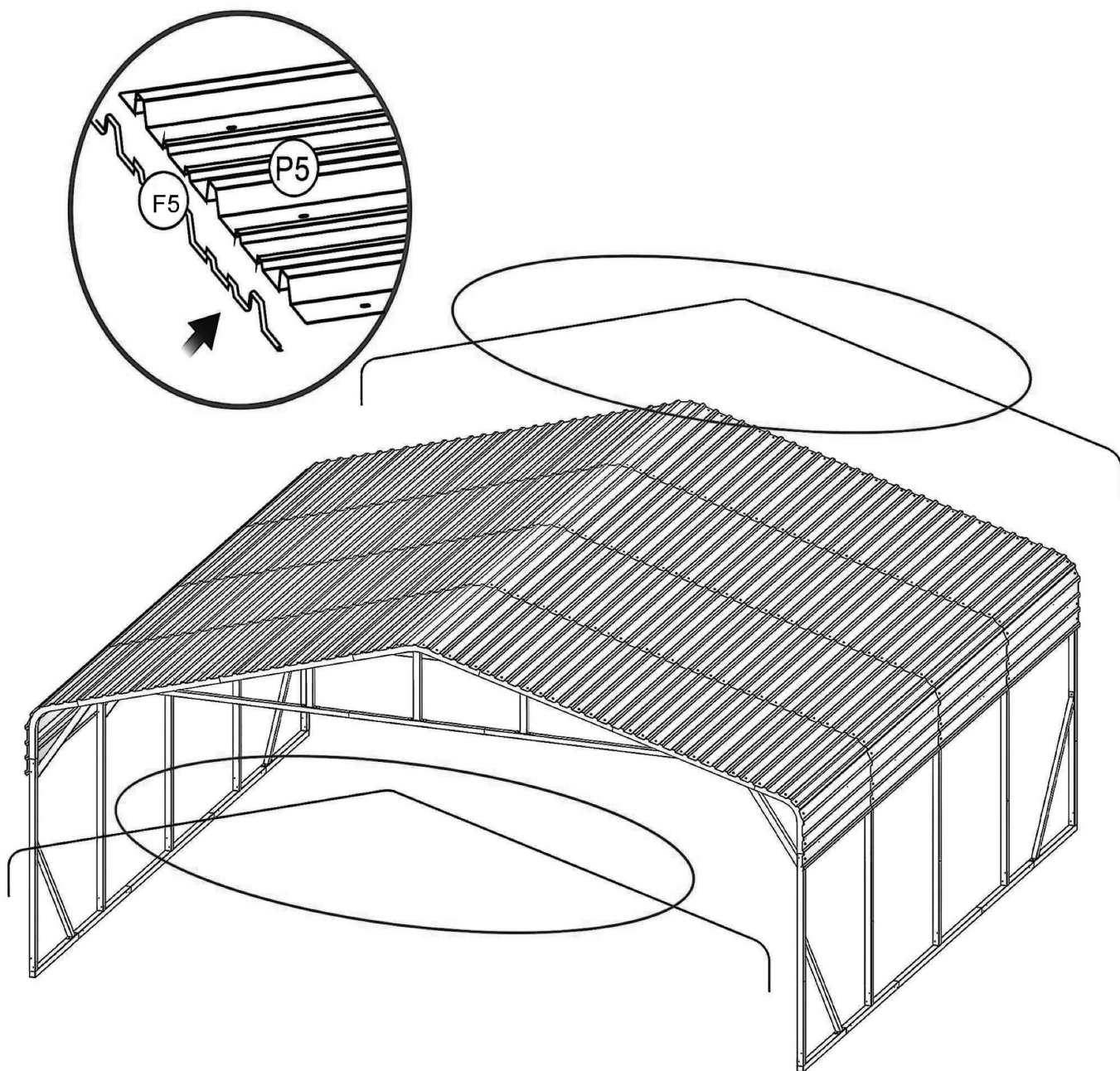
2



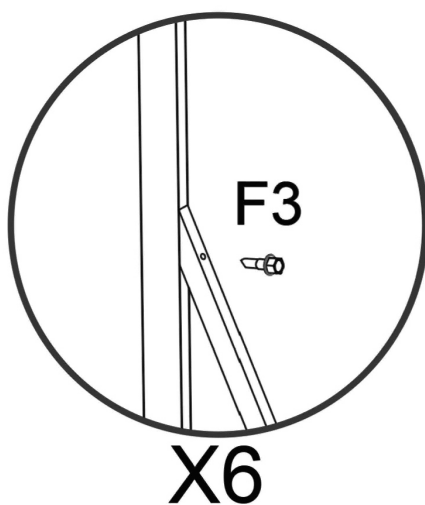
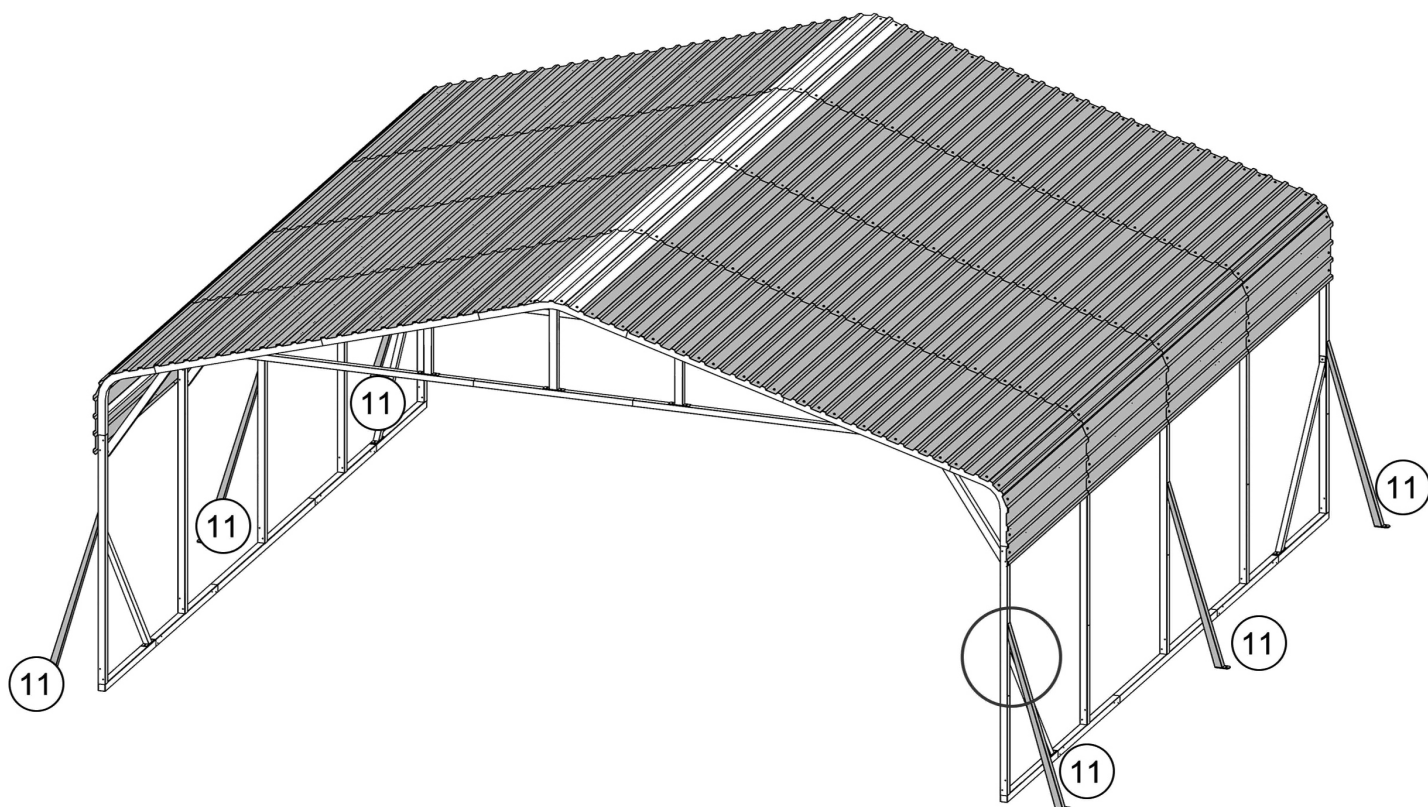
F3		X240
----	---	------


# STEP 9

Note: After the P5 is installed, the waterproof tape is glued to the connection of the color steel tile of each gear to prevent water leakage.



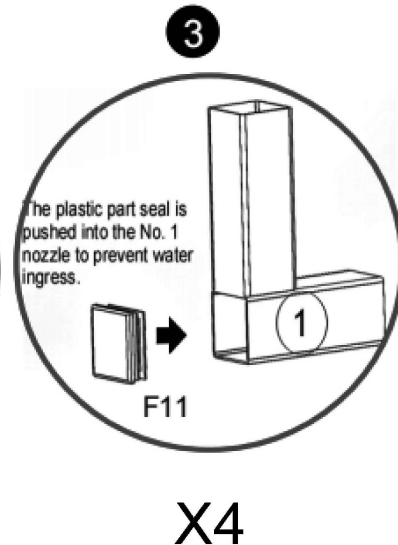
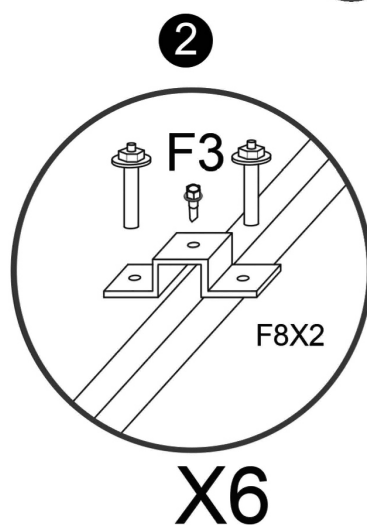
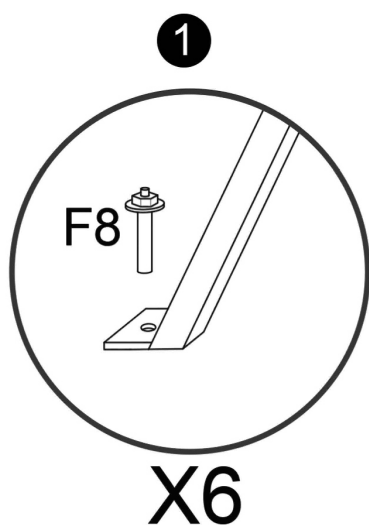
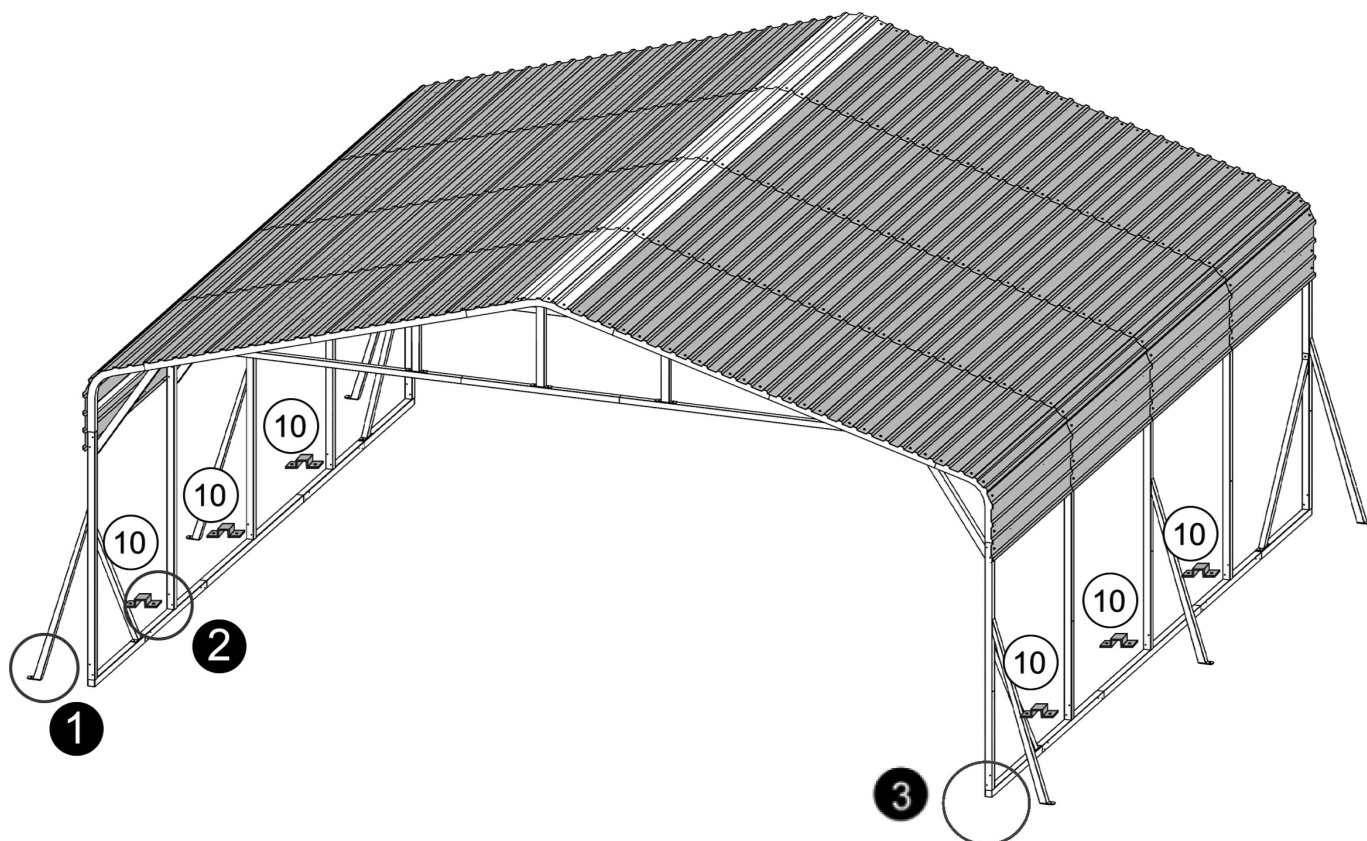
# STEP 10



F3		X6
----	---	----

# STEP 11

Note: Before installing the F8, make sure the overall product size is consistent. If not, adjust it to prevent the product from shaking.



F3		X6
----	--	----