

# ASSEMBLY INSTRUCTION

Thank you for purchasing this quality product. Be sure to check all packing material carefully for small parts which may have come loose inside the carton during shipment. Separate, identify and count all parts and hardware. Compare with the parts list to be sure all parts are present.

**IMPORTANT : PLEASE READ INSTRUCTION BEFORE STARTING THE ASSEMBLY.**

**"DO NOT TIGHTEN SCREWS UNTIL COMPLETELY ASSEMBLED"**

**"DO NOT OVERTIGHT ANY HARDWARE"**

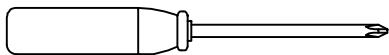
**WARNING : SMALL PARTS AND HARDWARE NOT FOR CHILDREN UNDER 3 YEARS. ADULT ASSEMBLY REQUIRED.**

## TABLE OF CONTENTS

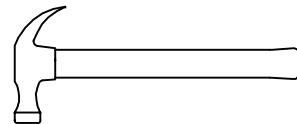
HARDWARES LIST	PAGE 2
PARTS LIST	PAGE 3 - 4
IMPORTANT NOTICE	PAGE 5
PARTS' LOCATION	PAGE 6
ASSEMBLY STEPS	PAGE 7 - 15
ASSEMBLY SEPARATE TO SINGLE BED	PAGE 16 - 20

## ASSEMBLY TOOLS REQUIRED

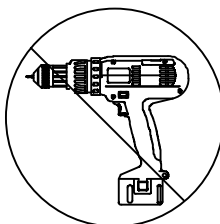
1. Screwdriver (not provide)



2. Hammer (not provide)

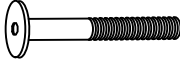
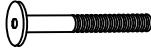



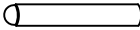
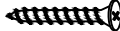
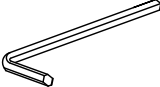


Skip the power drill this time.



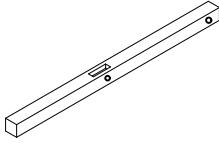
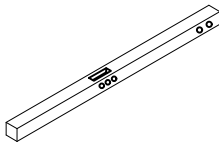
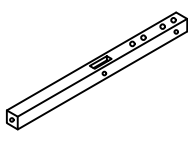
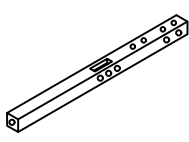
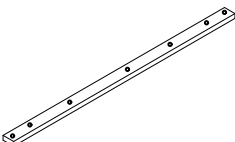
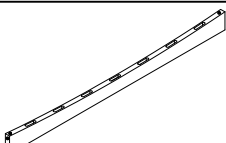

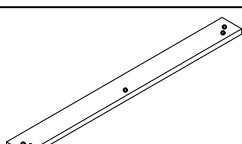
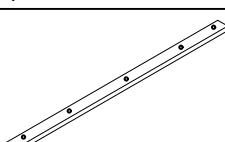
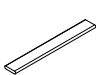
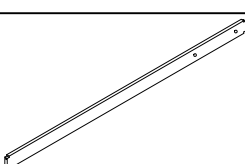
# ASSEMBLY INSTRUCTION

## HARDWARES LIST

ITEM	DESCRIPTION	DRAWING	QTY
A	JCBC SCREW M6 x 90MM (BLACK)		38 PCS
B	JCBC SCREW M6 x 50M (BLACK)		34 PCS
C	JCBC SCREW M6 x 30MM (BLACK)		18 PCS
D	BARREL NUT M6 x 13MM (IRON)		44 PCS
E	WOOD DOWEL M10 x 40MM		38 PCS
F	METAL DOWER 10 X 100MM		4 PCS
G	CSK SCREW M4 x 25MM		16 PCS
H	M4 ALLEN KEY		1 PC

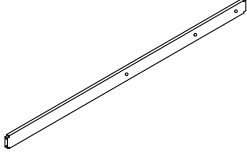
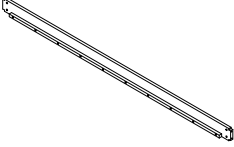
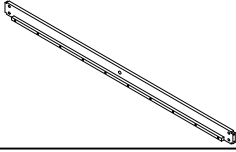
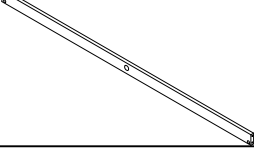
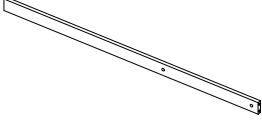

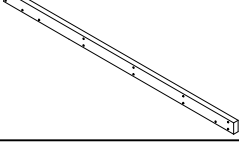
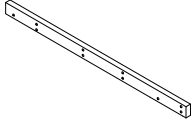
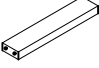
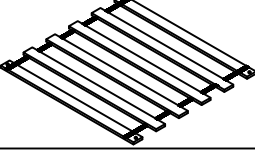
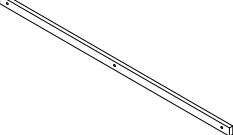
# ASSEMBLY INSTRUCTION

## PARTS LIST

ITEM	DESCRIPTION	DRAWING	QTY
1	LOWER POST		2 PCS
2	LOWER POST (1)		2 PCS
3	UPPER POST		2 PCS
4	UPPER POST (i)		2 PCS
5	PANEL TOP RAIL (LOWER BED)		2 PCS
6	WOODEN STRIP SUPPORT		4 PCS
7	WOODEN STRIP (LOWER BED)		14 PCS
8	WOODEN STRIP SUPPORT (1)		4 PCS
9	PANEL TOP RAIL (UPPER BED)		2 PCS
10	WOODEN STRIP (UPPER BED)		14 PCS
11	LOWER FRONT RAIL		1 PC

# ASSEMBLY INSTRUCTION

## PARTS LIST

ITEM	DESCRIPTION	DRAWING	QTY
12	UPPER FRONT RAIL		1 PC
13	LOWER BACK RAIL		1 PC
14	UPPER BACK RAIL		1 PC
15	LONG GUARDRAIL		2 PCS
16	SHORT GUARDRAIL		2 PCS
17	GUARDRAIL SUPPORT		2 PCS
18	LADDER SIDE ( LONG)		1 PC
19	LADDER SIDE (SHORT)		1 PC
20	LADDER STEP		4 PCS
21	SLAT		4 SET
22	WOODEN SUPPORT		4 PCS

## ASSEMBLY INSTRUCTION

### **IMPORTANT NOTICE**

- Use only Mattresses - 74" - 75" long and 37 1/2" - 38 1/2" wide on the upper bunk.
- Use only Mattresses - 74" - 75" long and 38" - 38 1/2" wide on the lower bunk.
- Ensure thickness of mattresses does not exceed 7" and mattresses is at least 5" below upper edge of guardrails.
- Check that you have all parts and hardware before assembly. Parts apparently missing are often found in the packing materials.
- Replacement parts, including additional guardrails, may be obtained from any of retailers purchased from.

### **SAFETY WARNING**

- Follow the information on the warnings appearing on the upper bunk end structure and on the carton. Do not remove warning label from bed.
- Always use the recommended size mattresses or mattress support, or both, to help prevent the likelihood of entrapment or falls.
- Surface of mattress must be at least 5 in. (127 mm) below the upper edge of guardrails.
- Do not allow children under 6 years of age to use the upper bunk.
- Periodically check and ensure that the guardrail, ladder, and other components are in their proper position, free from damage, and that all connectors are tight.
- Do not allow horseplay on or under the bed and prohibit jumping on the bed.
- Always use ladder for entering and leaving upper bunk.
- Do not use substitute parts. Contact the retailer or dealer for replacement parts.
- Use of a night light may provide added safety precaution for a child using the upper bunk.
- Always use guardrails on both long sides of the upper bunk. If the bunk bed will be placed next to the wall, the guardrail that runs the full length of the bed should be placed against the wall to prevent entrapment between the bed and wall.
- The use of water or sleep flotation mattresses is prohibited.

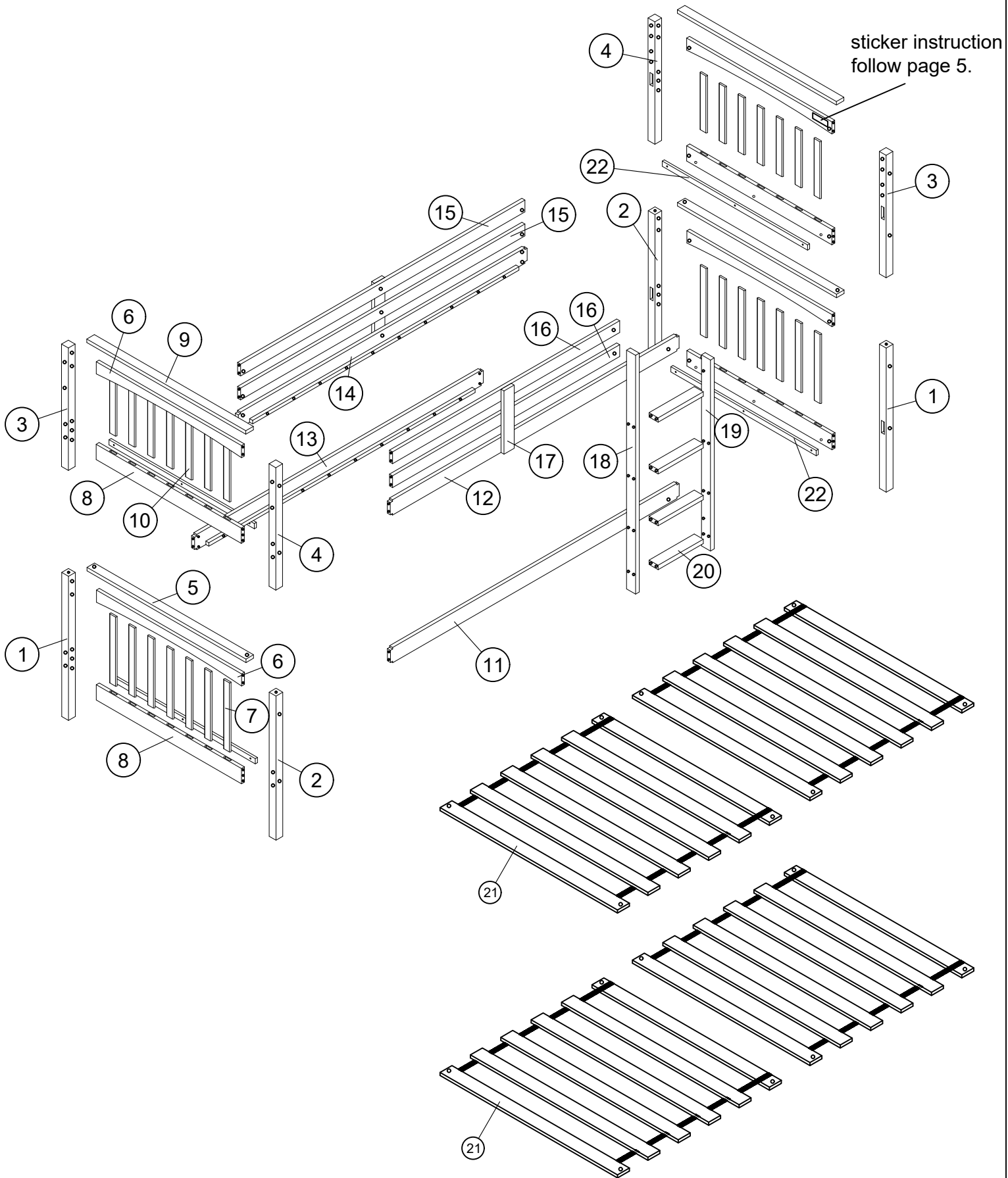
### **STRANGULATION HAZARD :**

- Do not attach or hang items to any part of the bunk bed that are not designed for use with the bed; for example, but not limited to, hooks, belts, and jump ropes.  
Keep these instructions for future reference.

### **PROHIBIT MORE THAN ONE PERSON ON UPPER BUNK.**

# ASSEMBLY INSTRUCTION

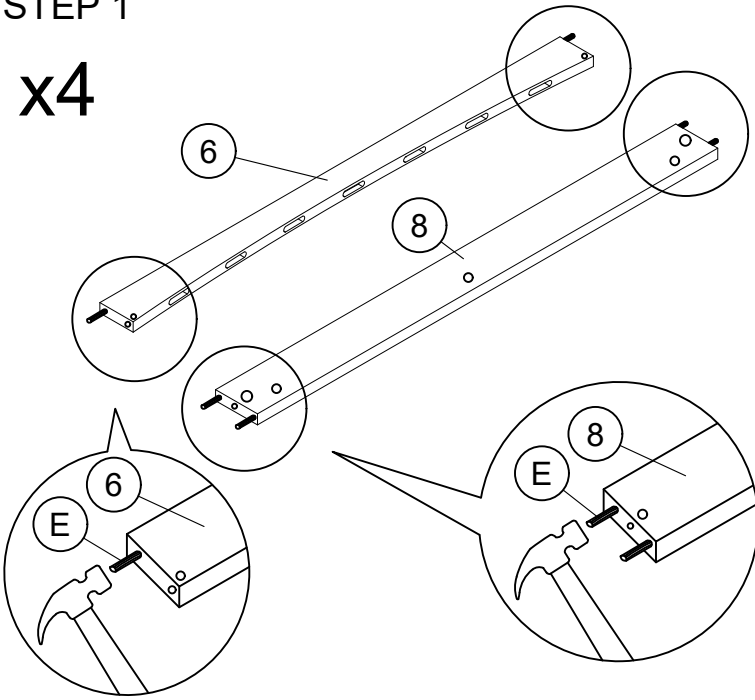
## PARTS ' LOCATION



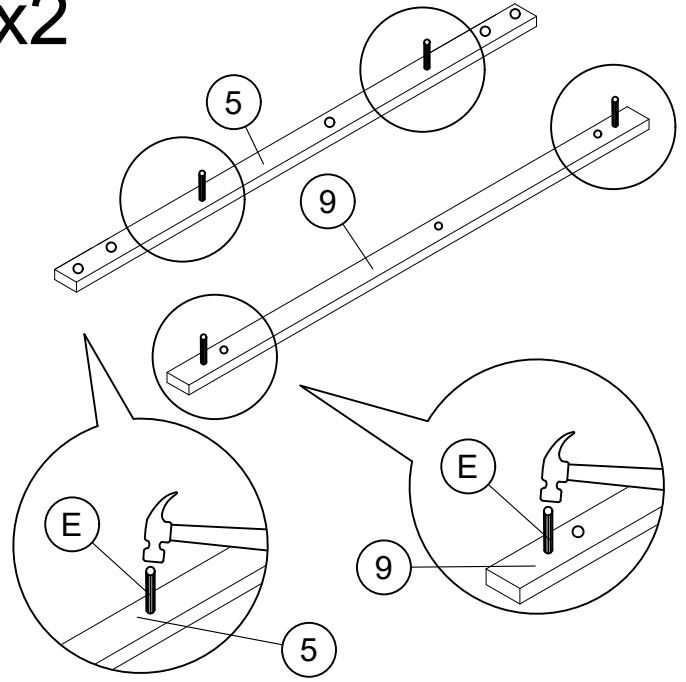
# ASSEMBLY INSTRUCTION

## STEP 1

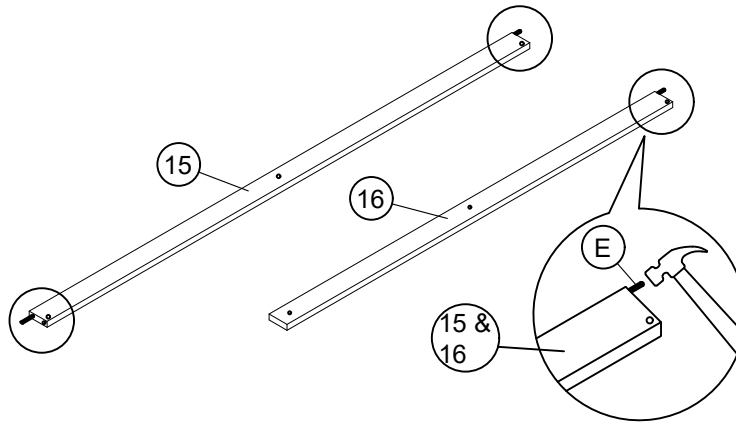
x4



x2

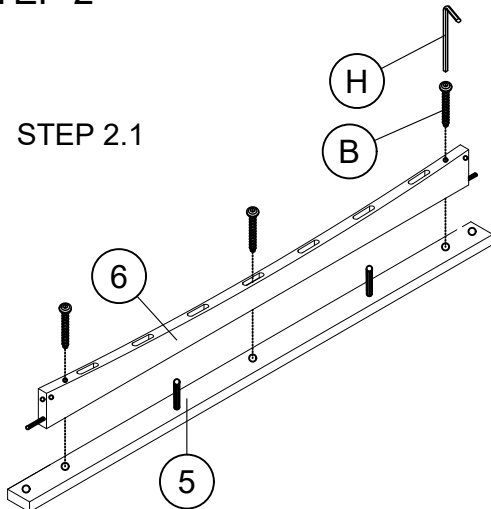


x2

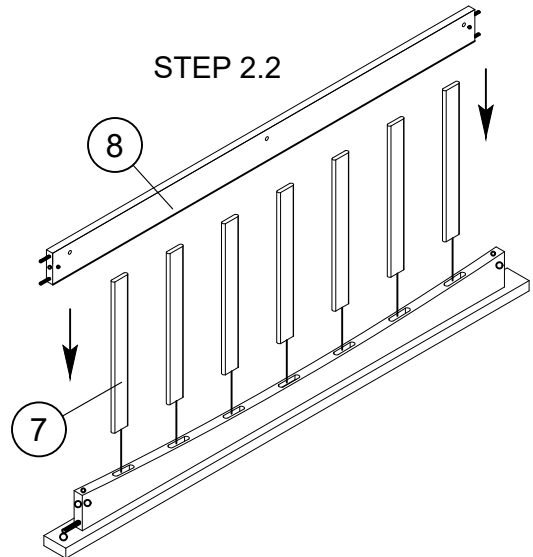


## STEP 2

STEP 2.1



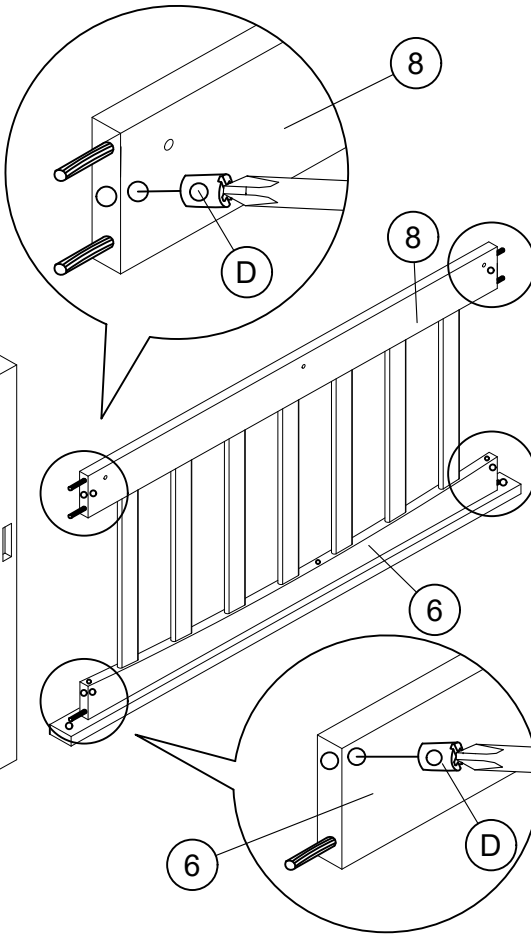
STEP 2.2



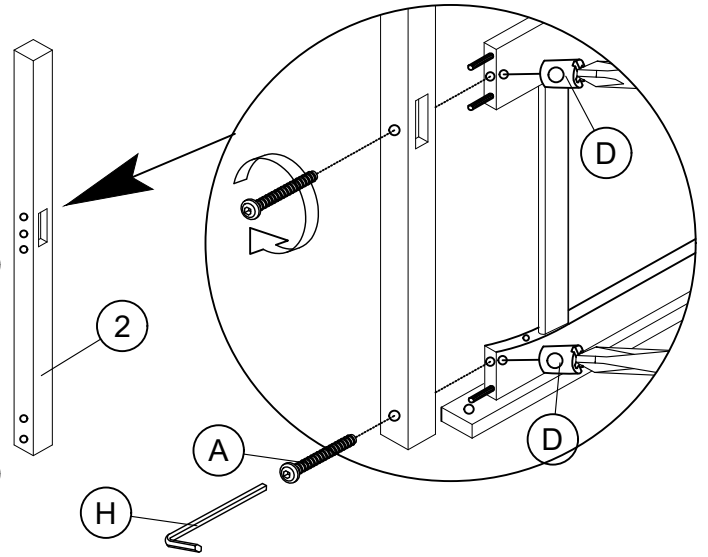
# ASSEMBLY INSTRUCTION

x2

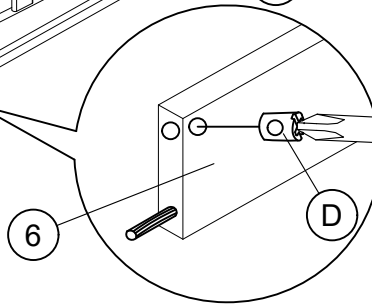
STEP 2.3



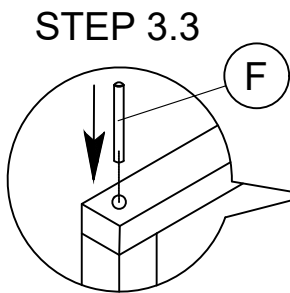
STEP 2.5



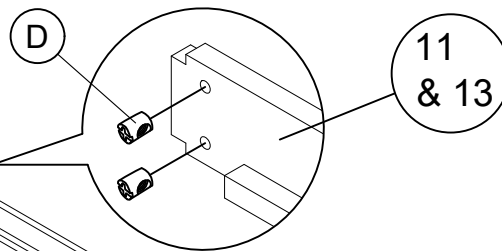
STEP 2.4



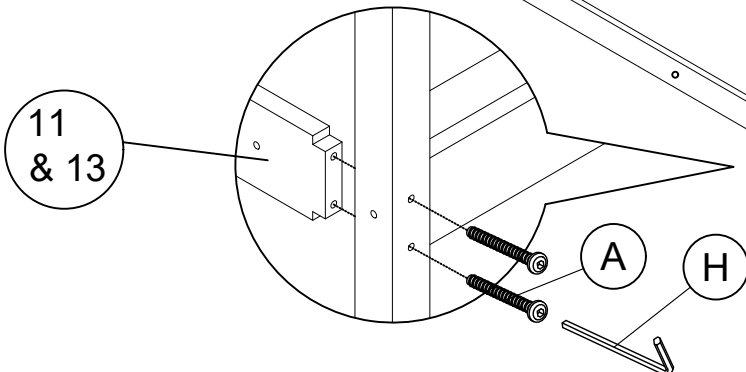
STEP 3



STEP 3.1



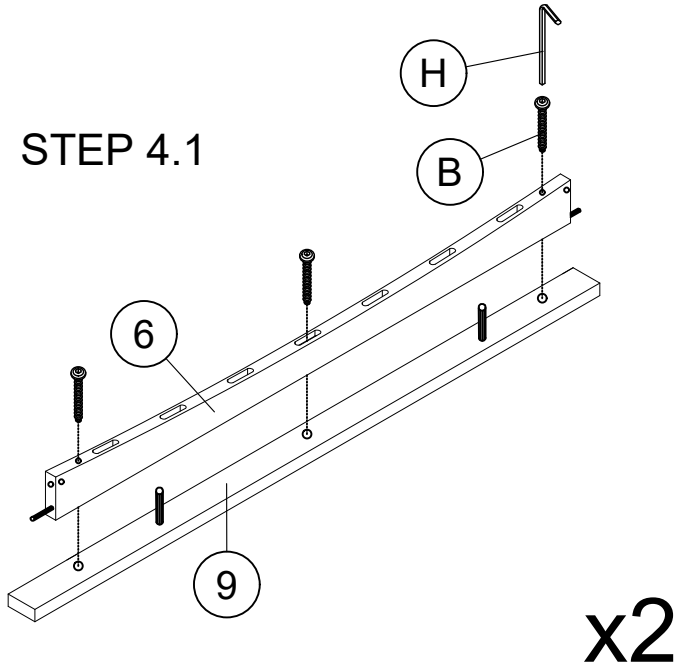
STEP 3.2



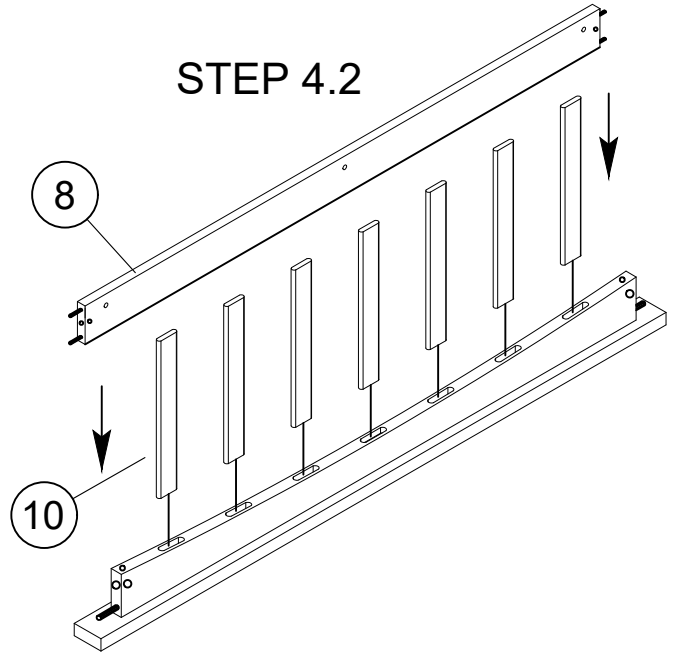
# ASSEMBLY INSTRUCTION

## STEP 4

### STEP 4.1

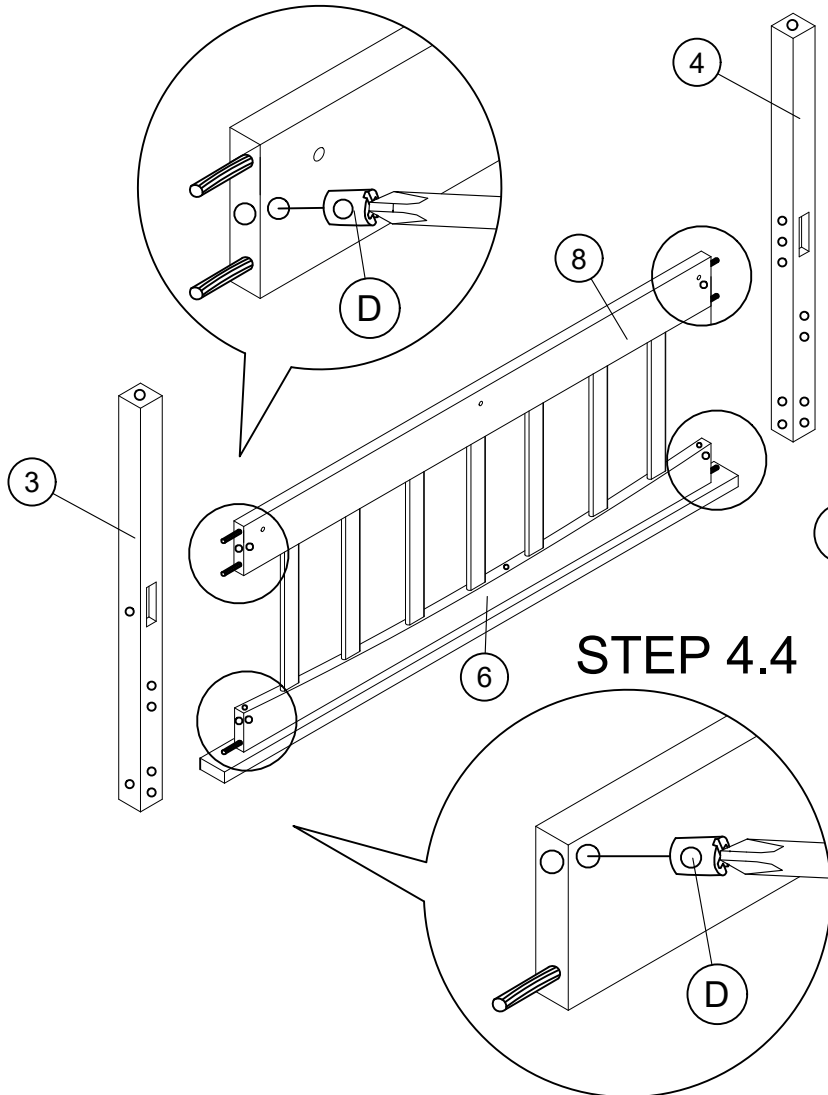


### STEP 4.2

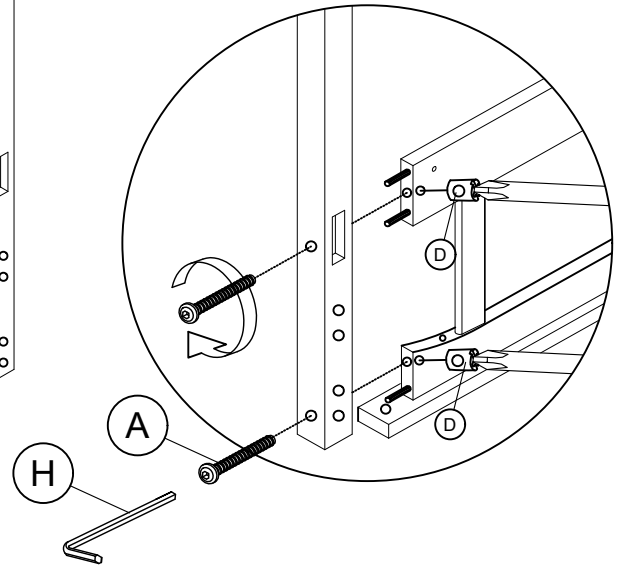


x2

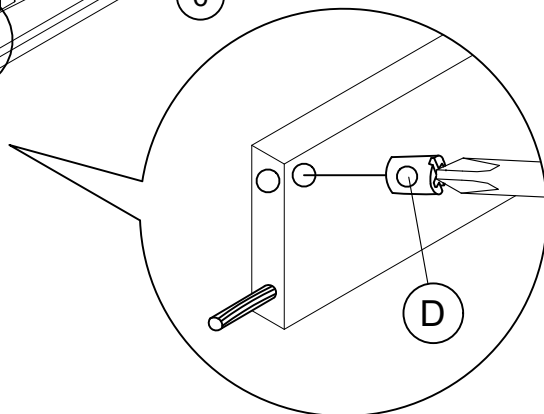
### STEP 4.3



### STEP 4.5

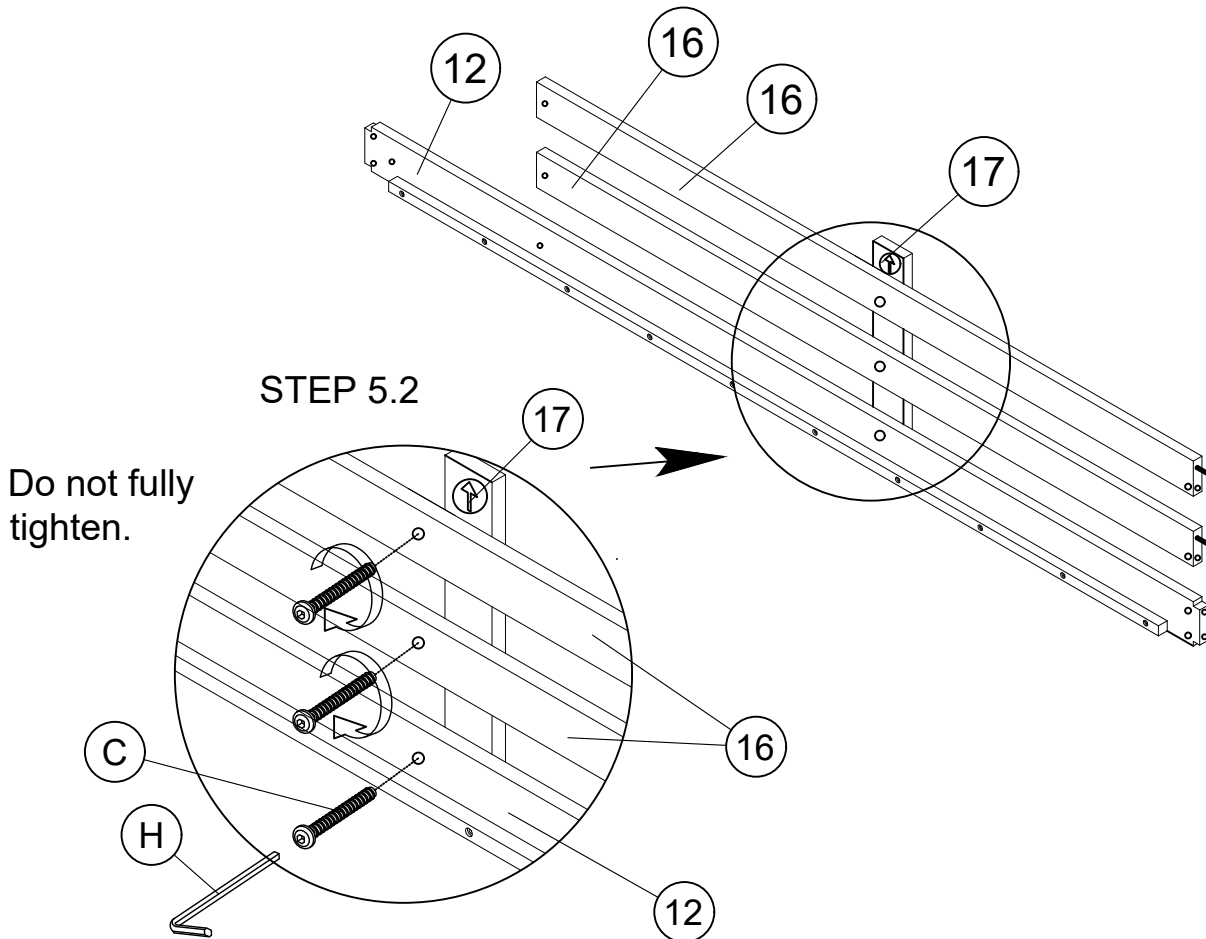
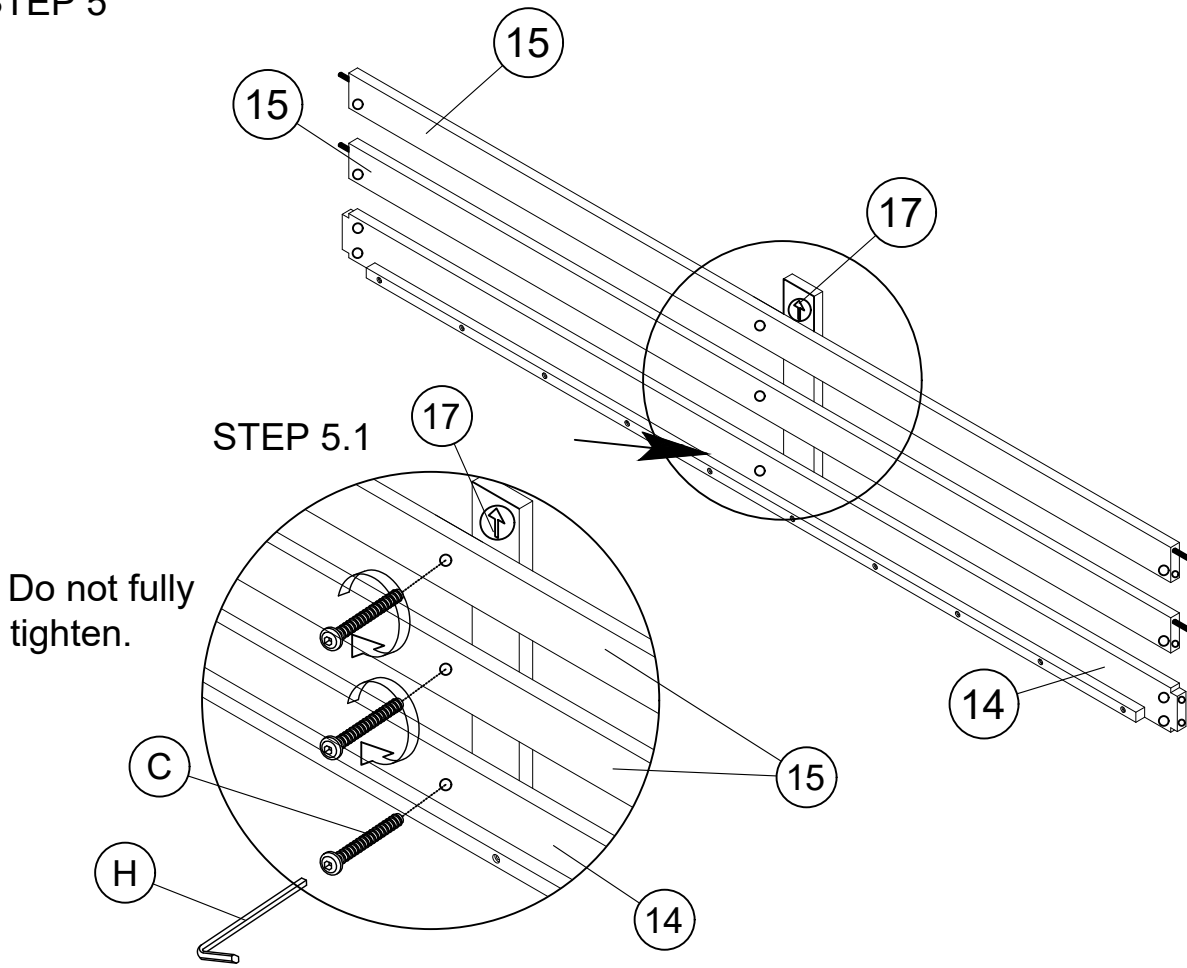


### STEP 4.4



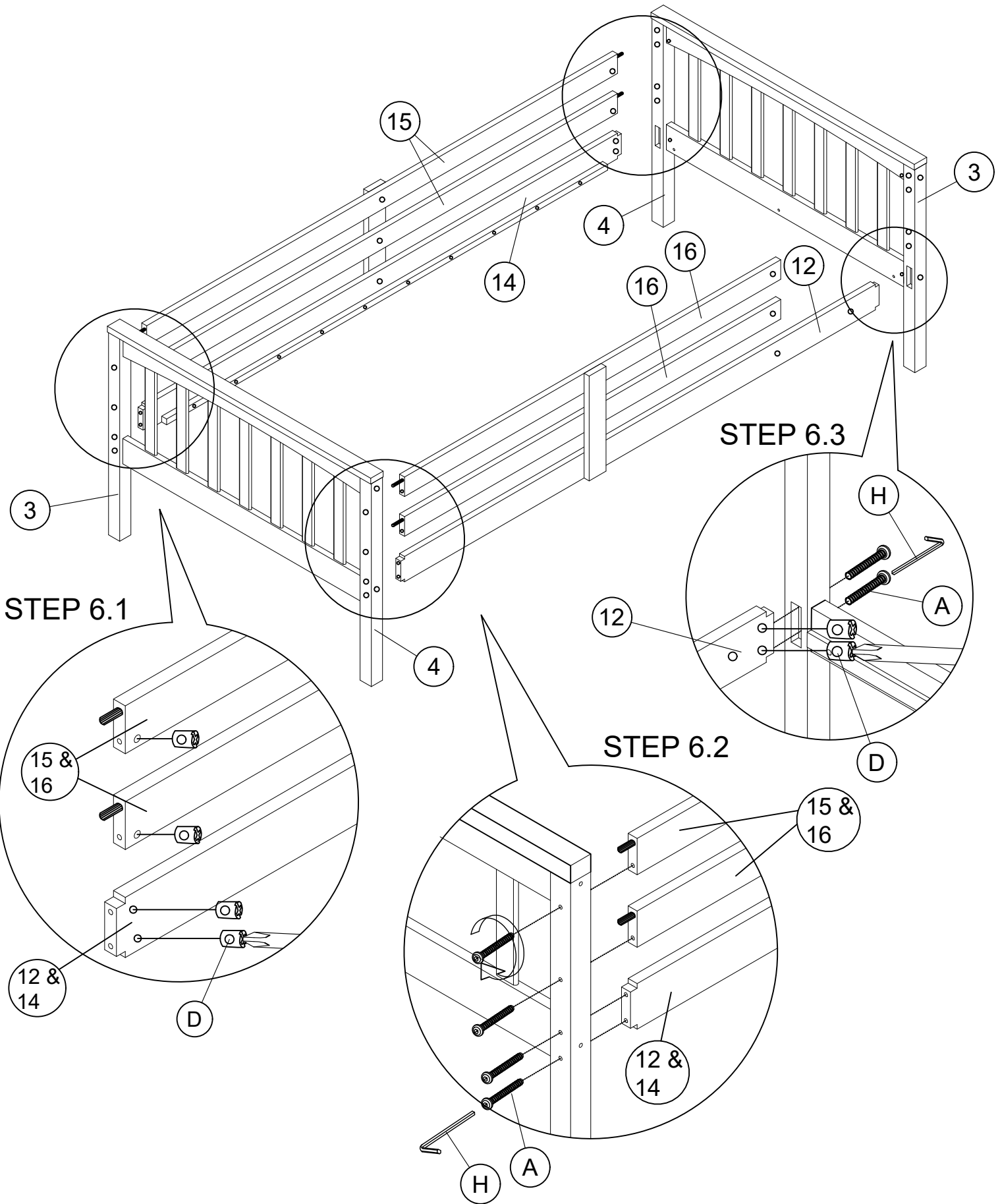
# ASSEMBLY INSTRUCTION

## STEP 5



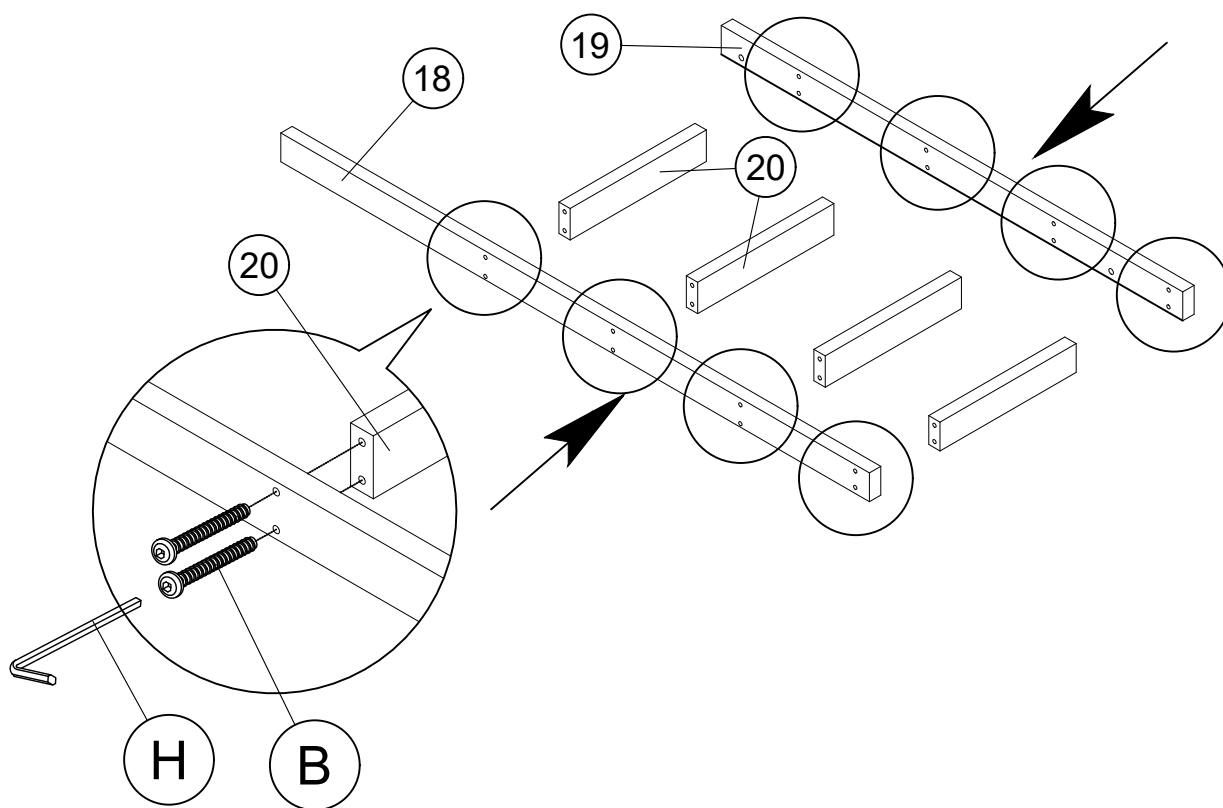
# ASSEMBLY INSTRUCTION

## STEP 6

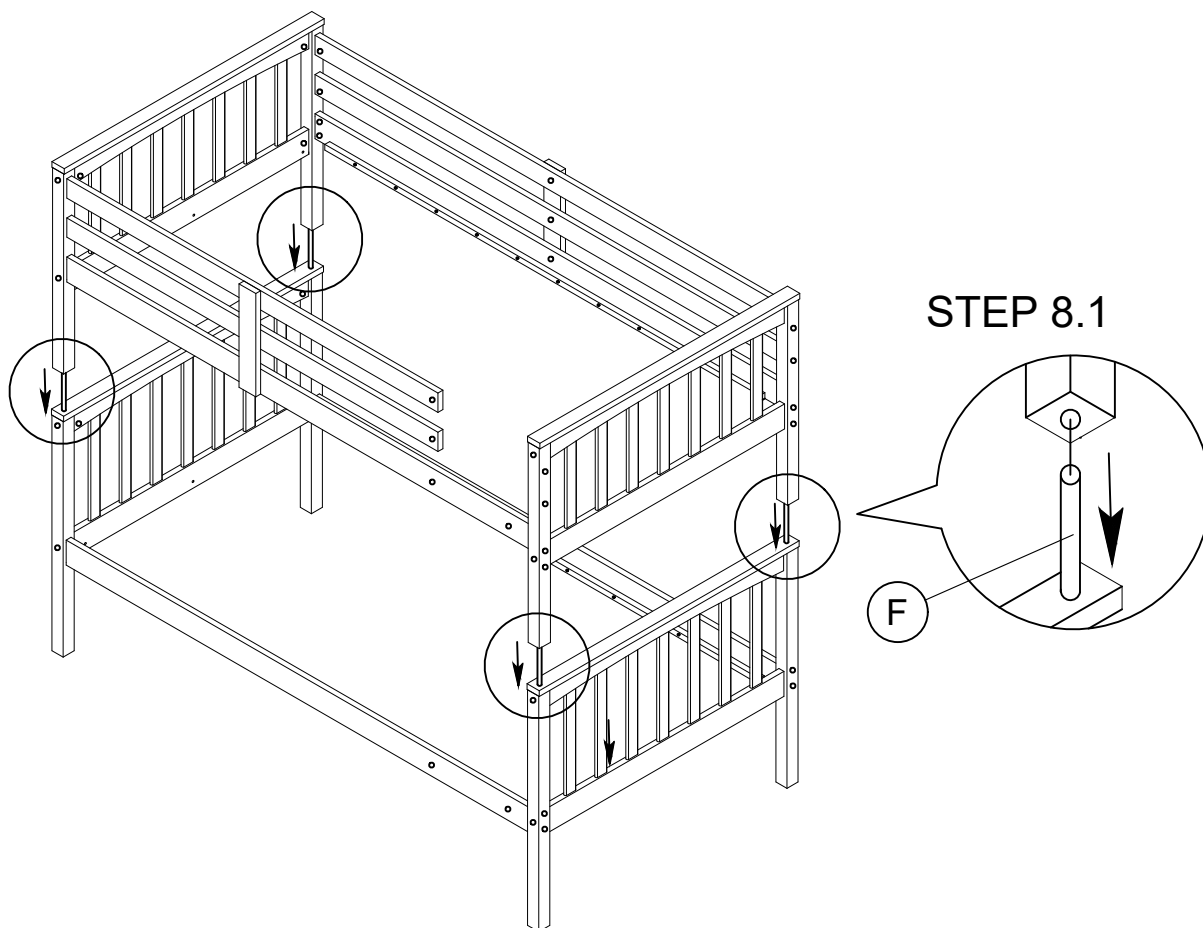


# ASSEMBLY INSTRUCTION

## STEP 7

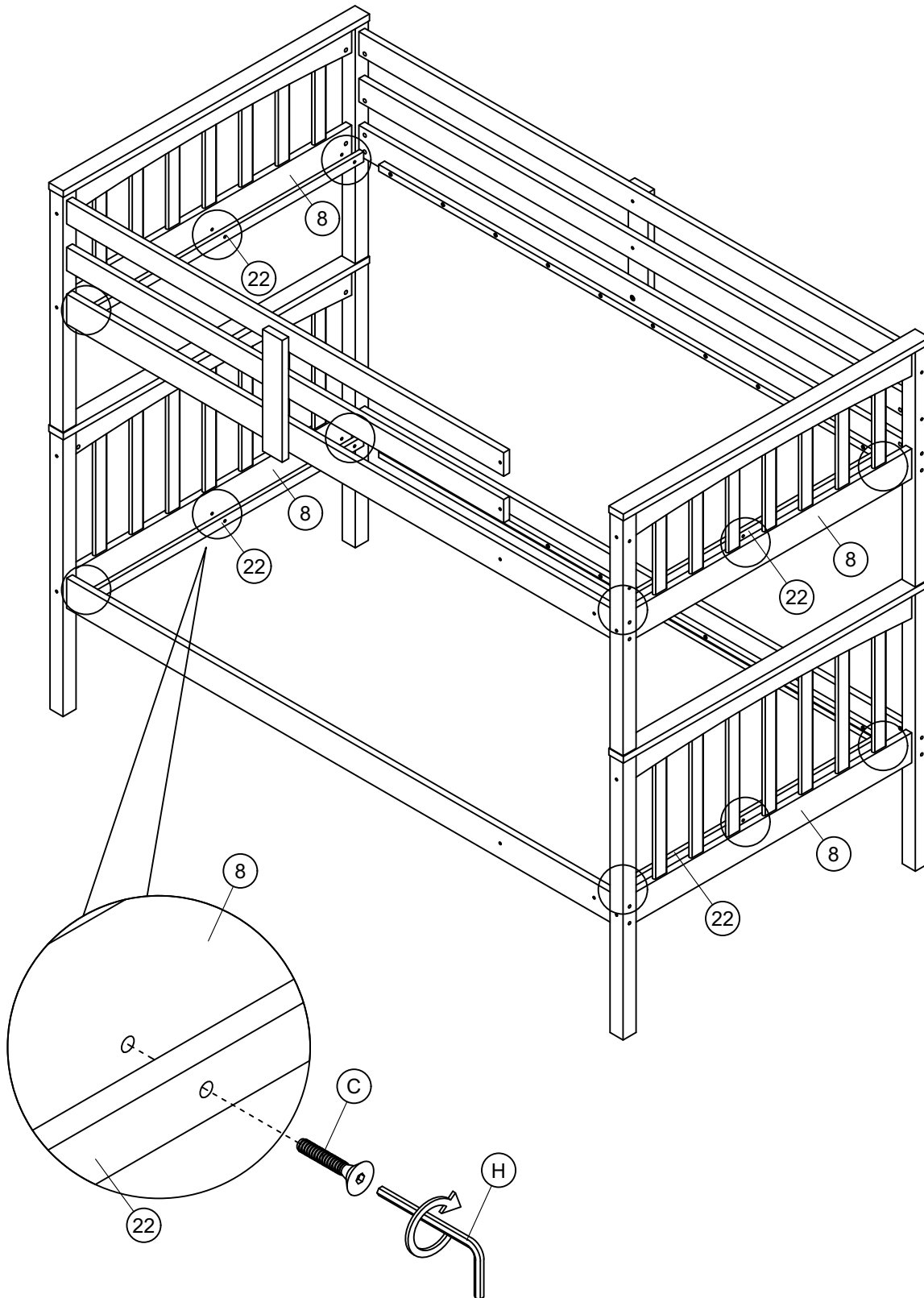


## STEP 8



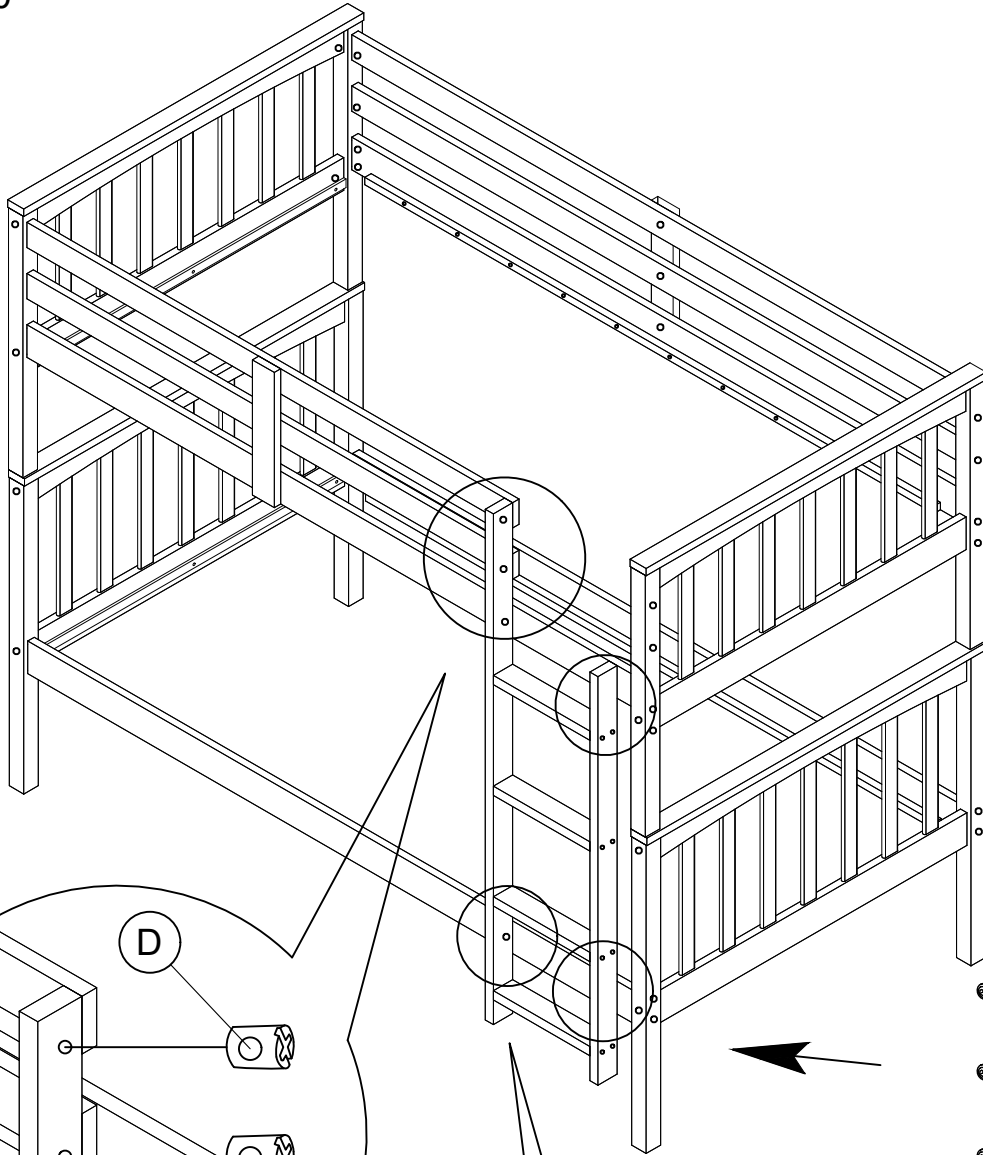
# ASSEMBLY INSTRUCTION

## STEP 9

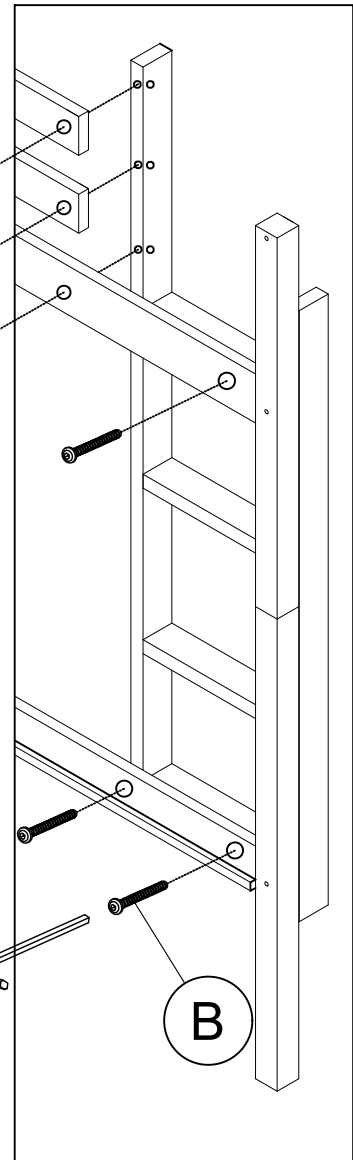


# ASSEMBLY INSTRUCTION

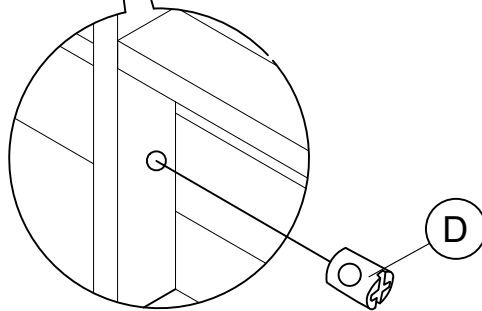
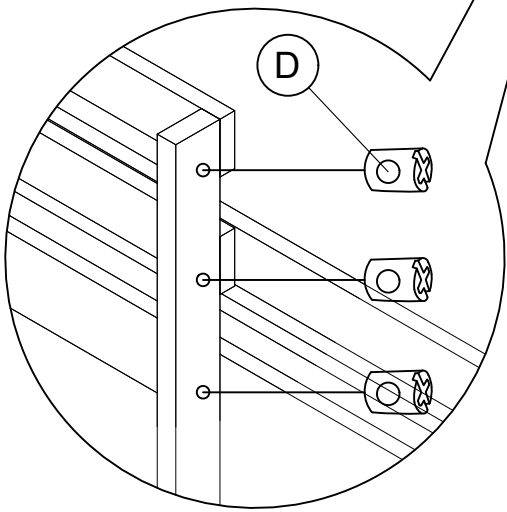
## STEP 10



## STEP 10.2

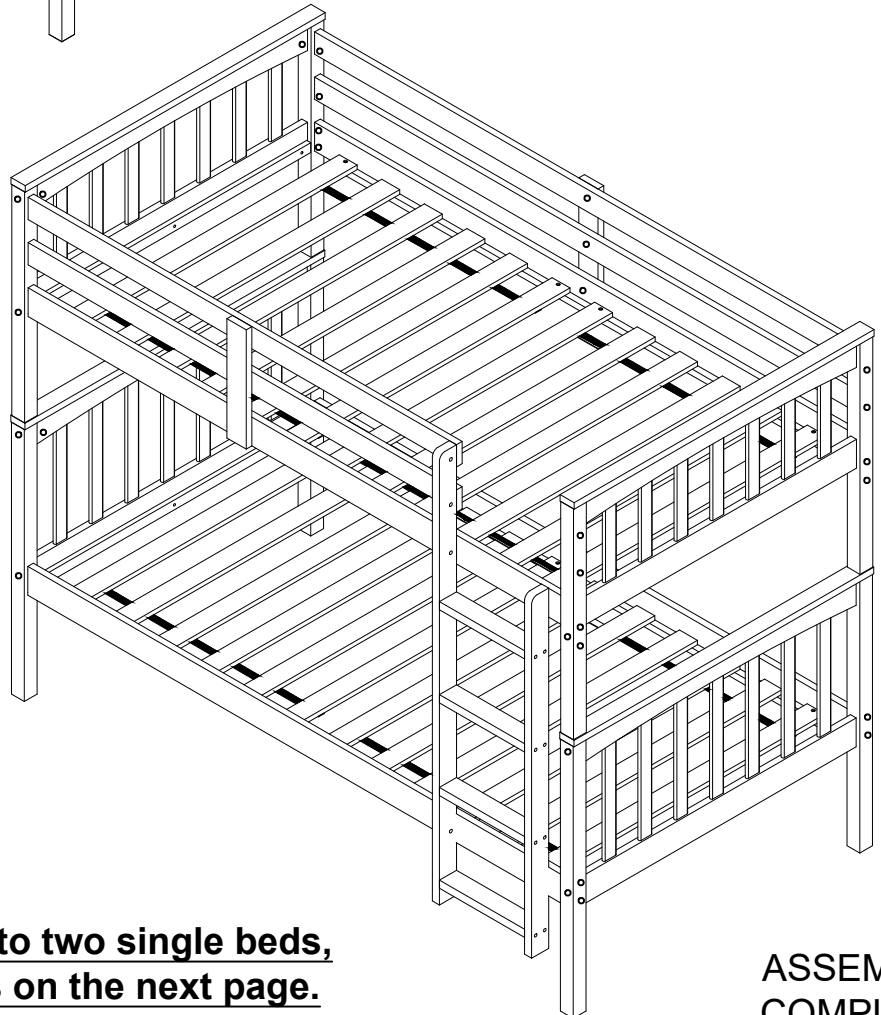
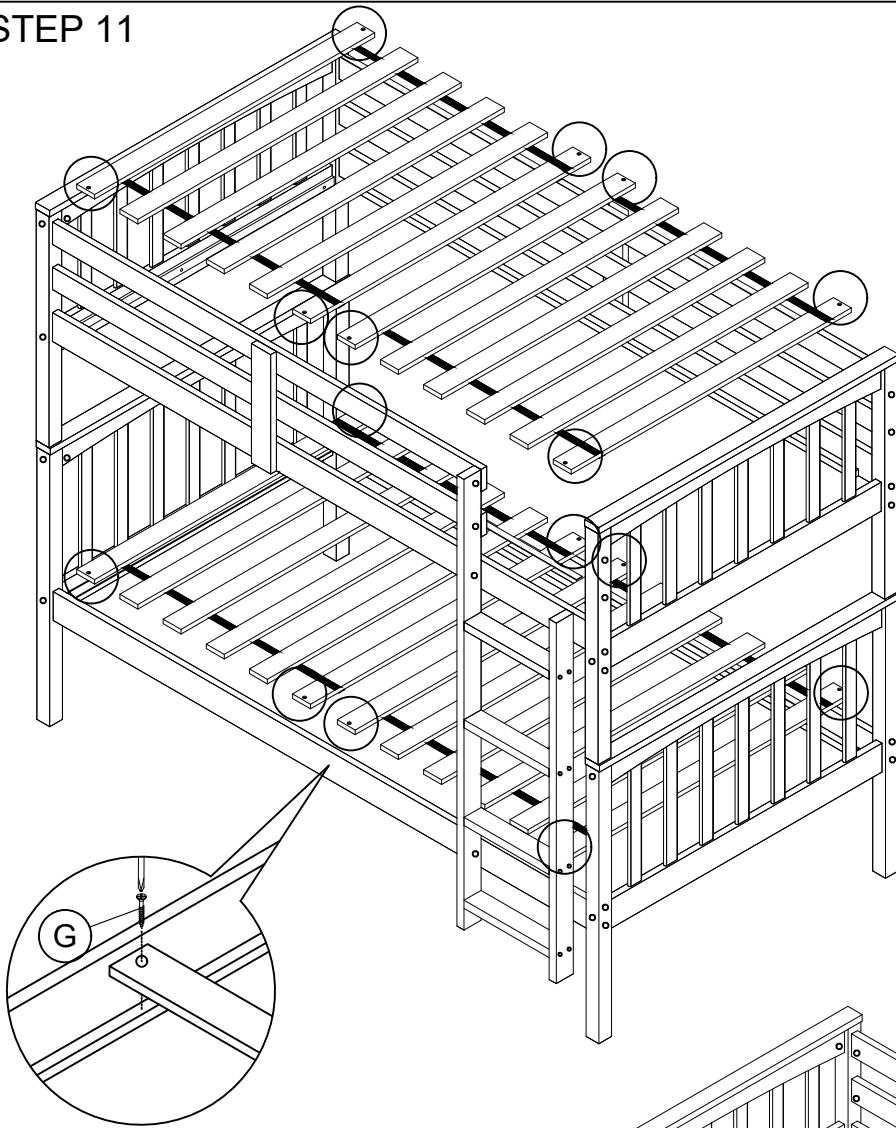


## STEP 10.1



# ASSEMBLY INSTRUCTION

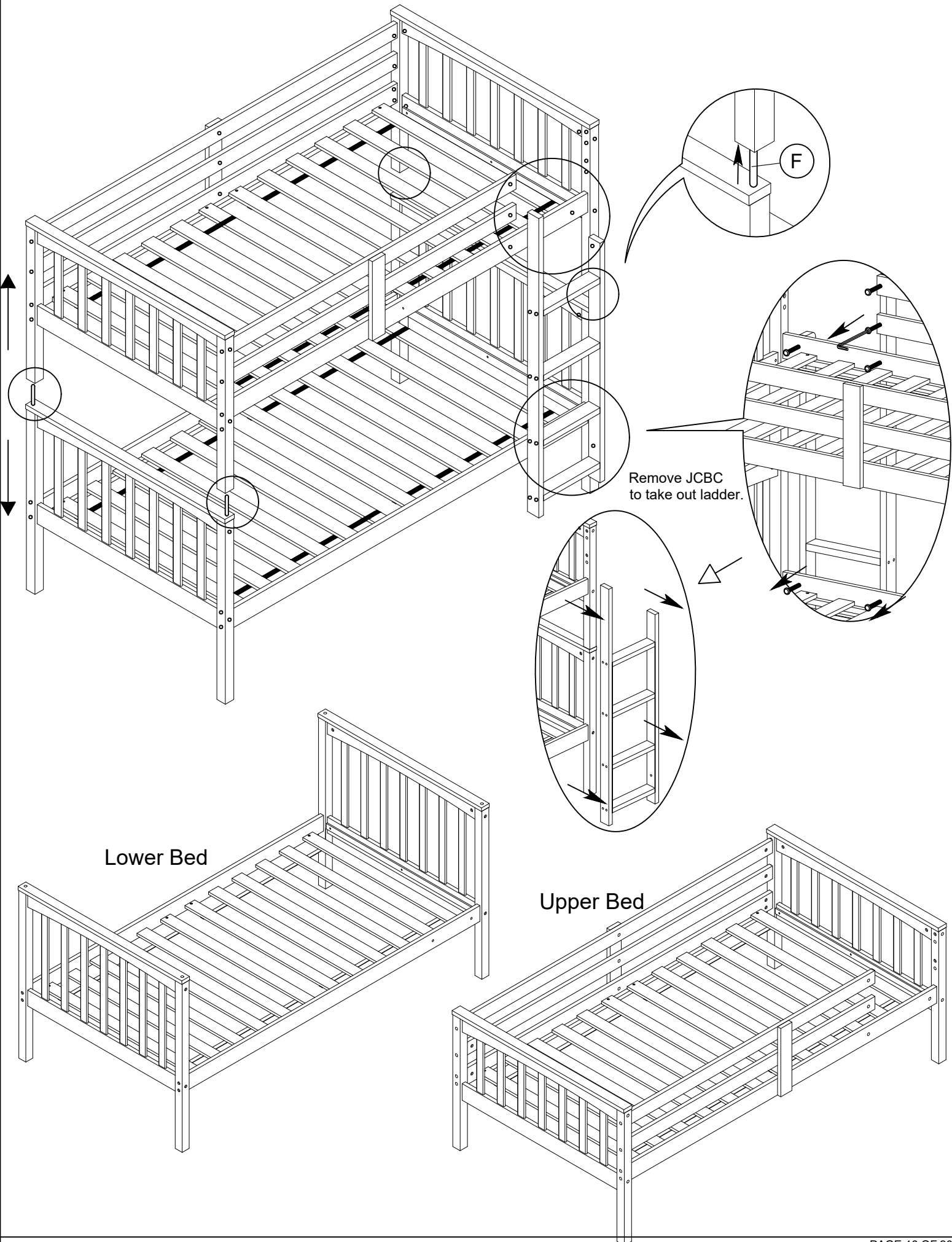
## STEP 11



**To dismantle the bunk bed into two single beds, please follow the instructions on the next page.**

**ASSEMBLY  
COMPLETE**

# ASSEMBLY INSTRUCTION



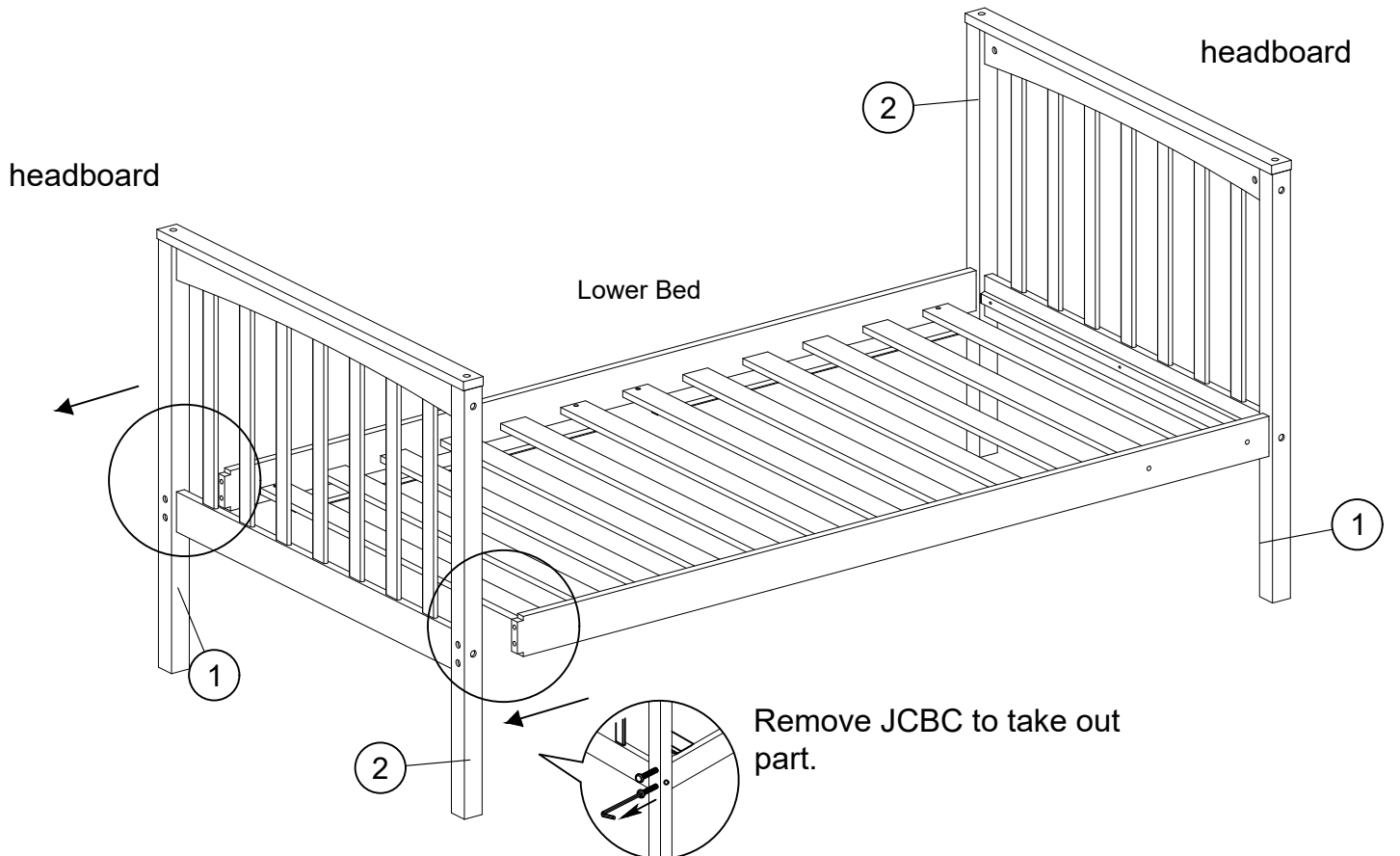
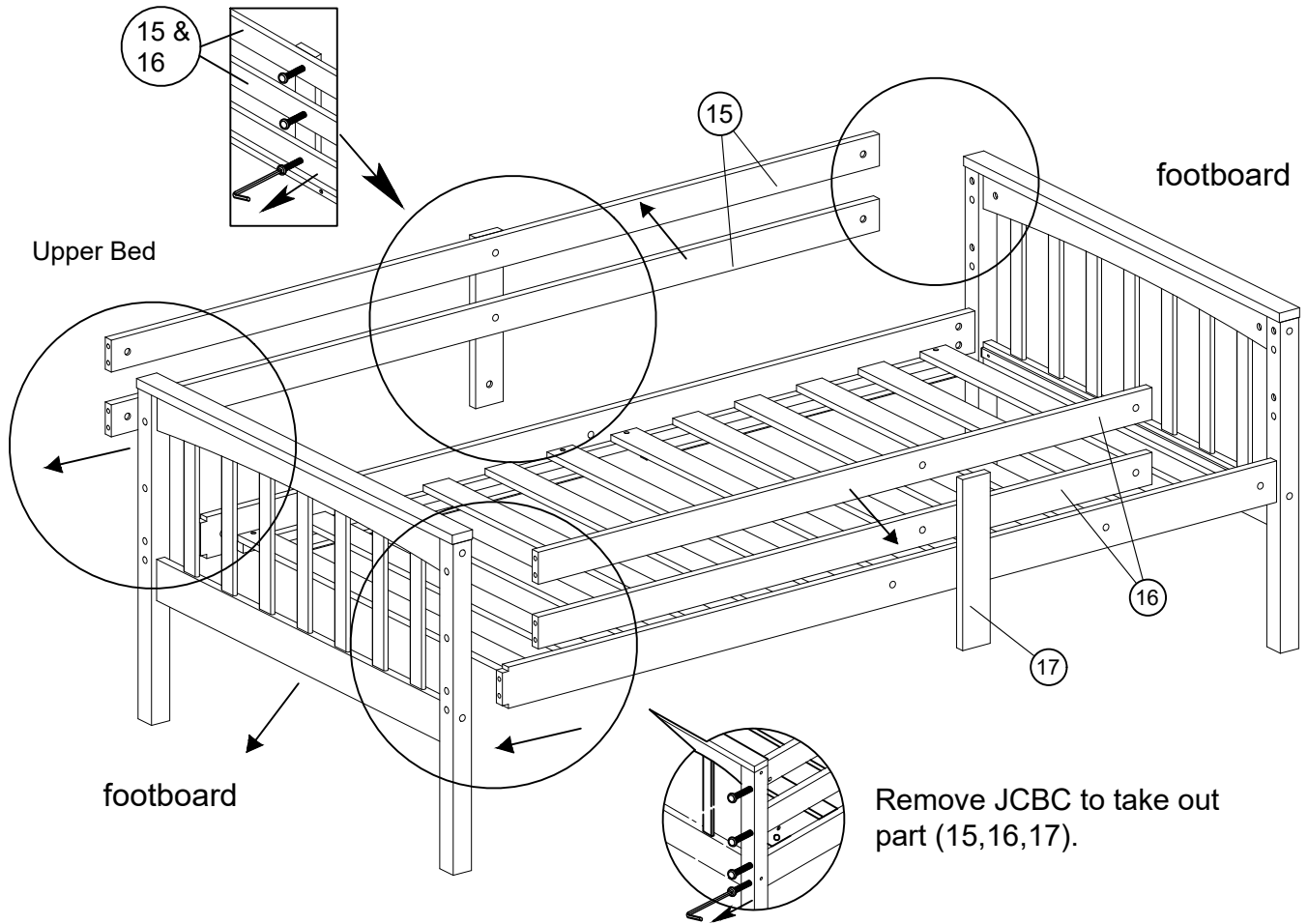
F

Remove JCBC  
to take out ladder.

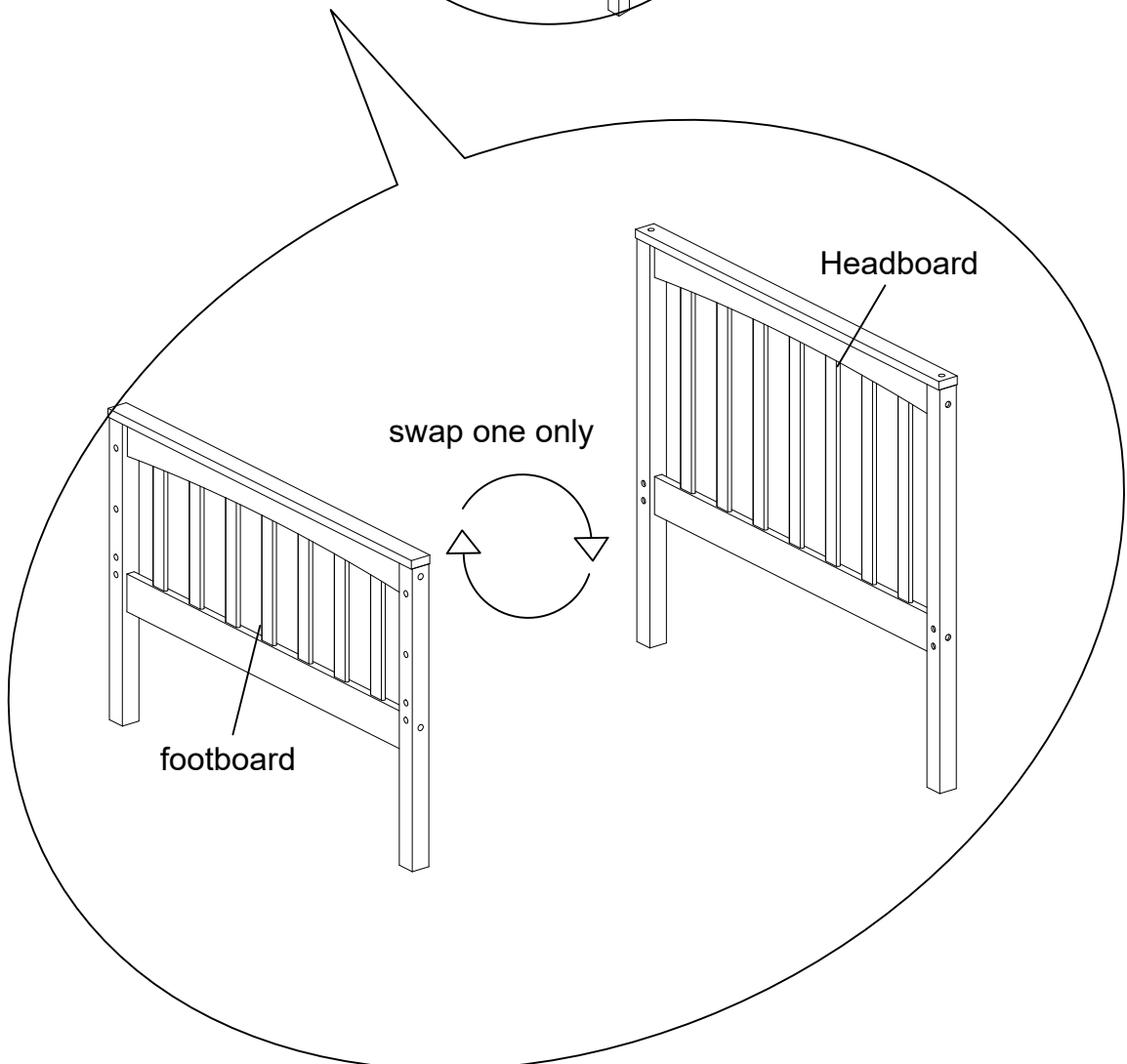
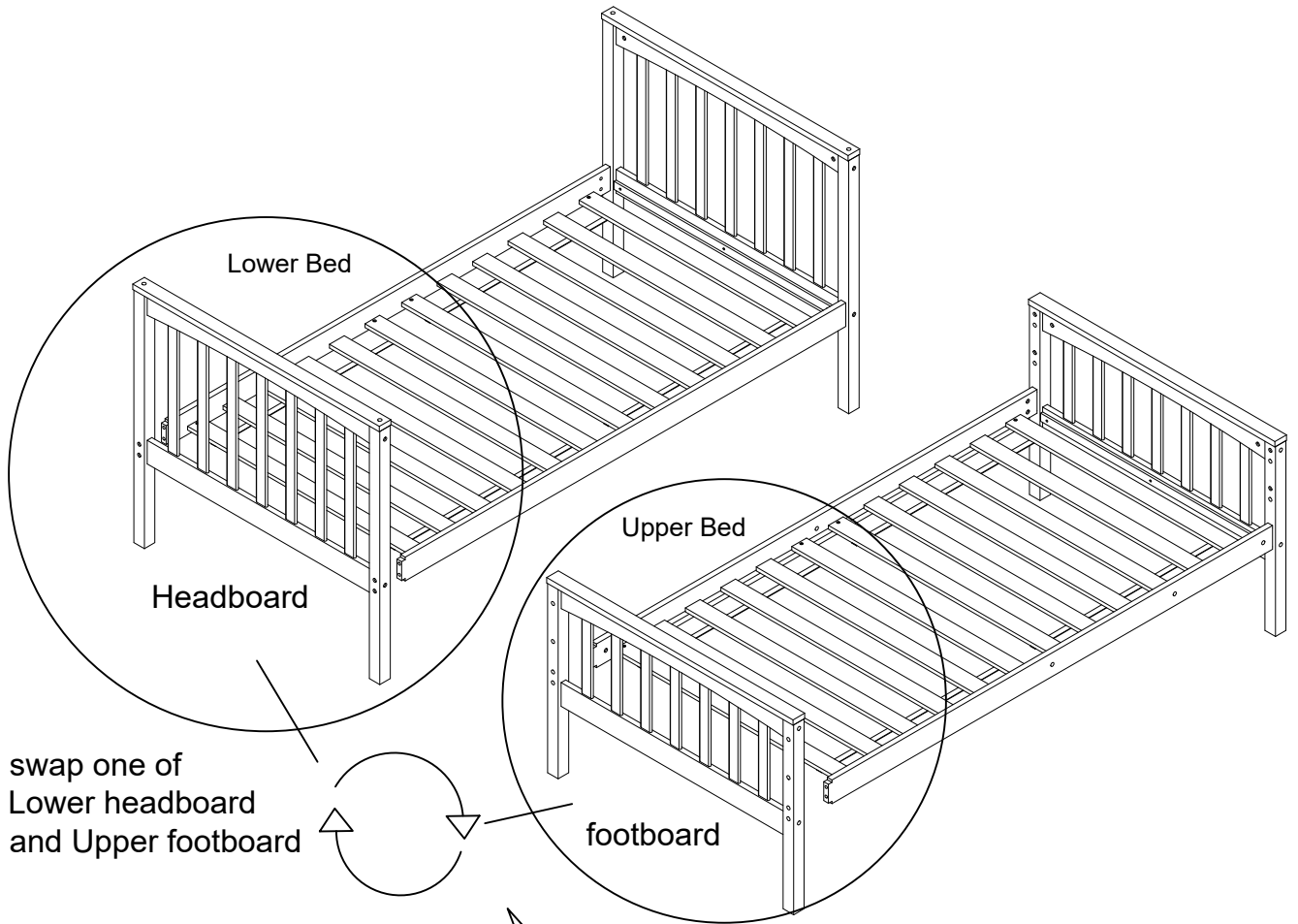
Lower Bed

Upper Bed

# ASSEMBLY INSTRUCTION



# ASSEMBLY INSTRUCTION





# WA 212 ASSEMBLY INSTRUCTION

