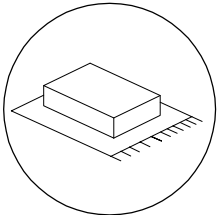
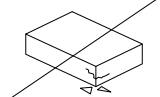
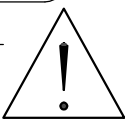
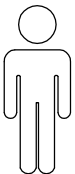
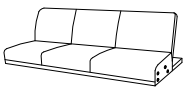
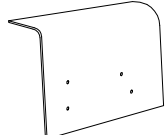
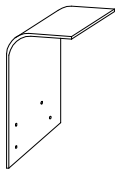
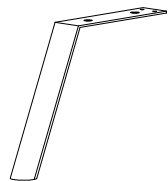

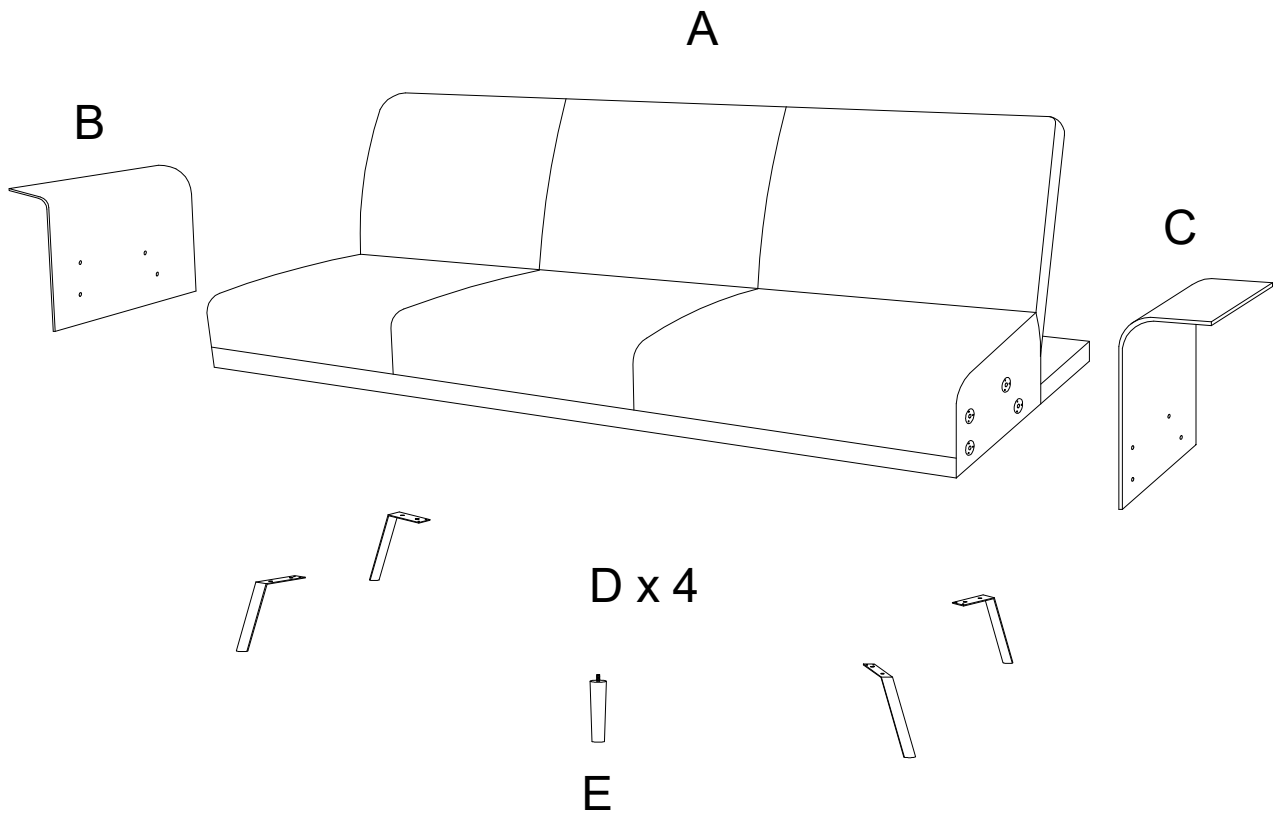
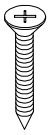
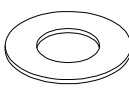
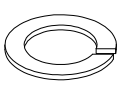
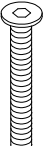
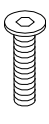
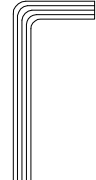
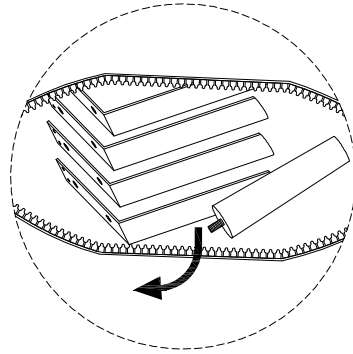
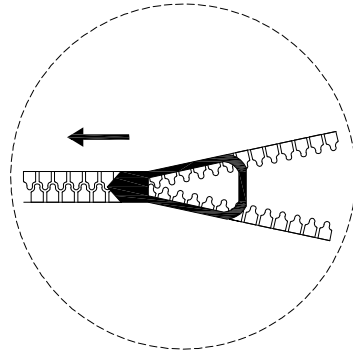
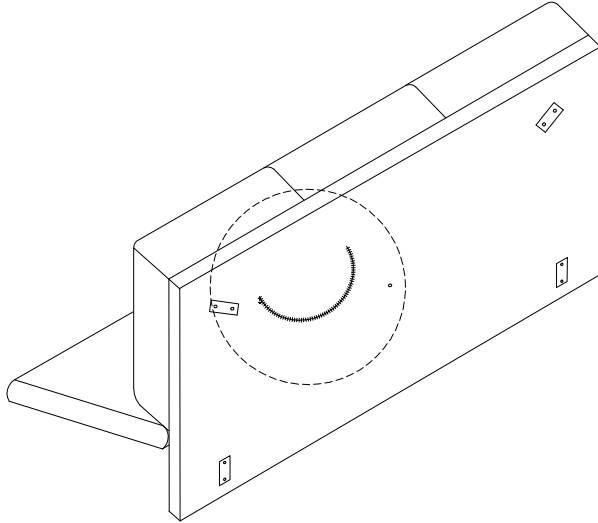

		40'
 		
		2

A	B	C	D	E
				
x 1	x 1	x 1	x 4	x 1




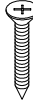




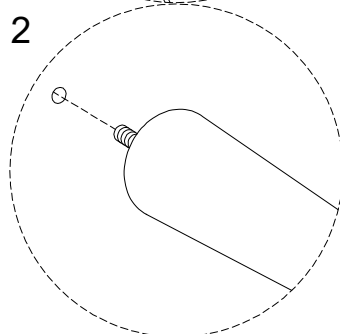
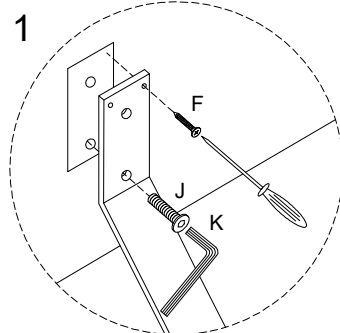
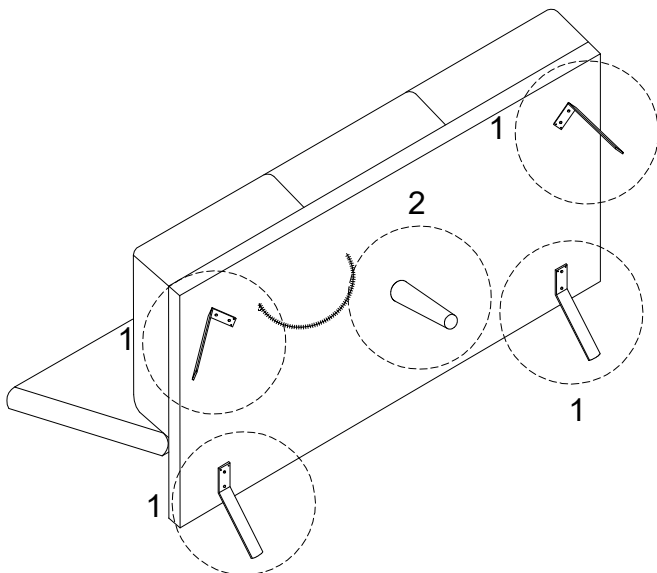
F	G	H	I	J	K
 M8 x 35			 M8 x 35	 M8 x 20	
x 8	x 8	x 8	x 8	x 8	x 1

!

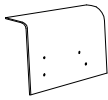
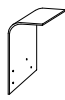


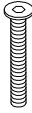
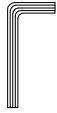


1

A  x 1	D  x 4	E  x 1	F  M8 x 35 x 8	J  M8 x 20 x 8	K  x 1
--	--	--	---	---	--



2

B  x 1	C  x 1	G  x 8	H  x 8	I  M8 x 35 x 8	K  x 1
--	--	--	---	---	--

