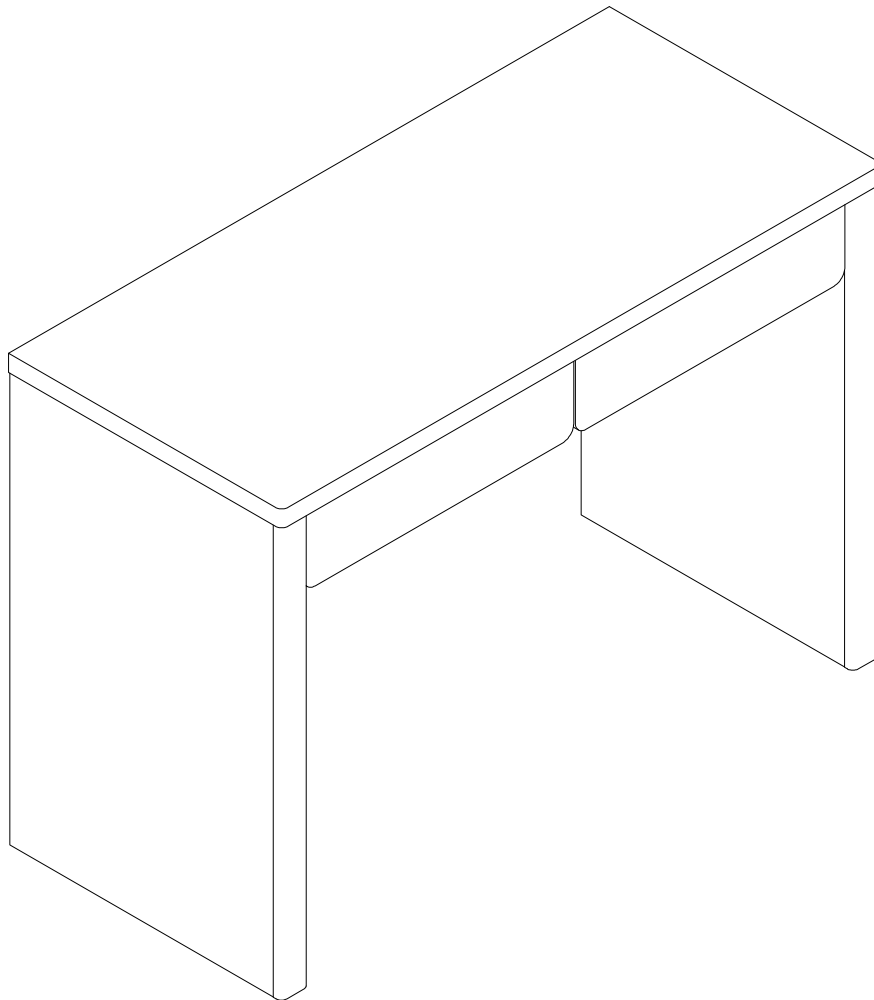


Assembly Instructions

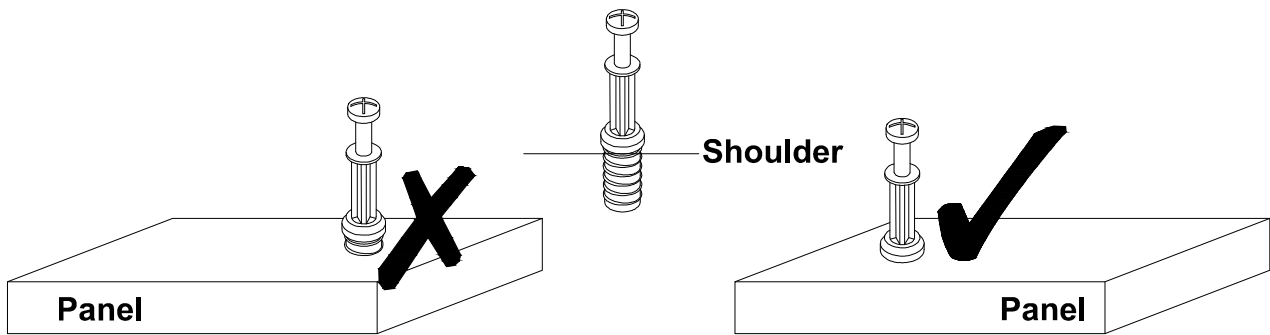


Before Assembly

Tips Before Your Start:

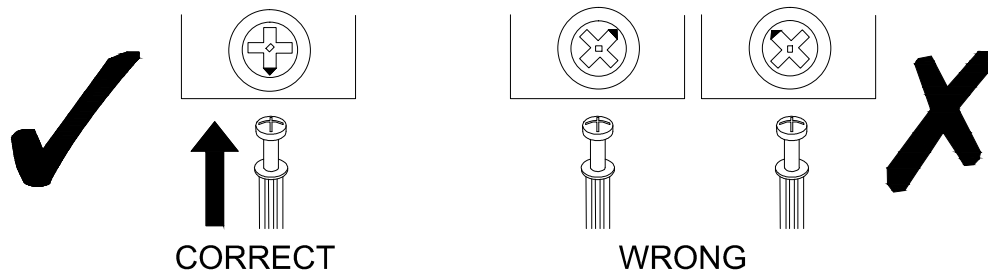
- Remove all wrapping material, including staples & packing straps before you start to assemble.
- DO NOT tighten all screws and bolts until the assembly is completely assembled.
- Keep all hardware parts out of reach of children.

QUICKFIT



Tighten quickfit until shoulder is flush with panel. Do not overtighten or undertighten.

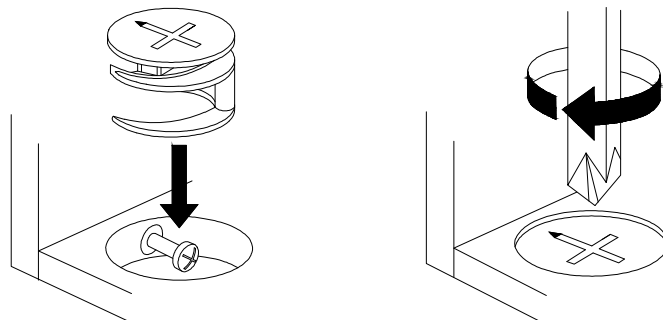
CAM LOCK



When fitting a cam lock, ensure the starting position is correct before inserting the connecting QUI CKFIT

Quickfit head should be in the centre of the cam lock when the two panels are joined.

Cam lock should be inserted before quickfit.

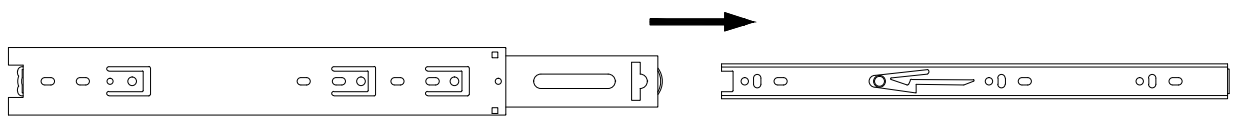
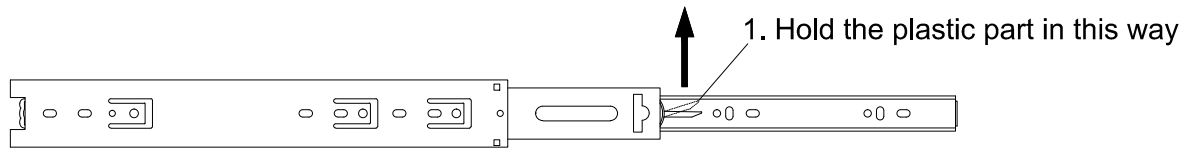


Turn cam lock clockwise to tighten.

Before Assembly

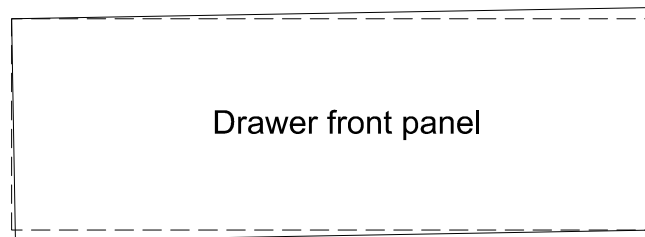
Tips Before Your Start

How to separate the drawer slider:

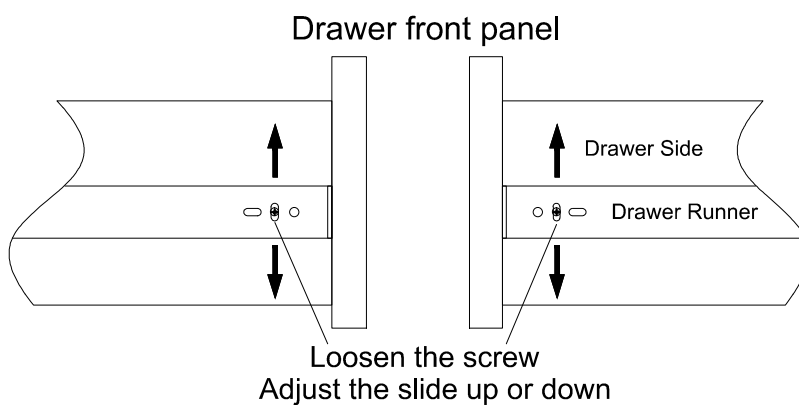


2. Pull out the inner slider for drawer box fixing

Drawer Front Alignment

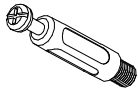


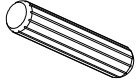
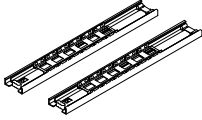
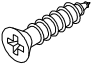
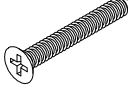



If the drawer front panel is NOT level after being assembled, then...

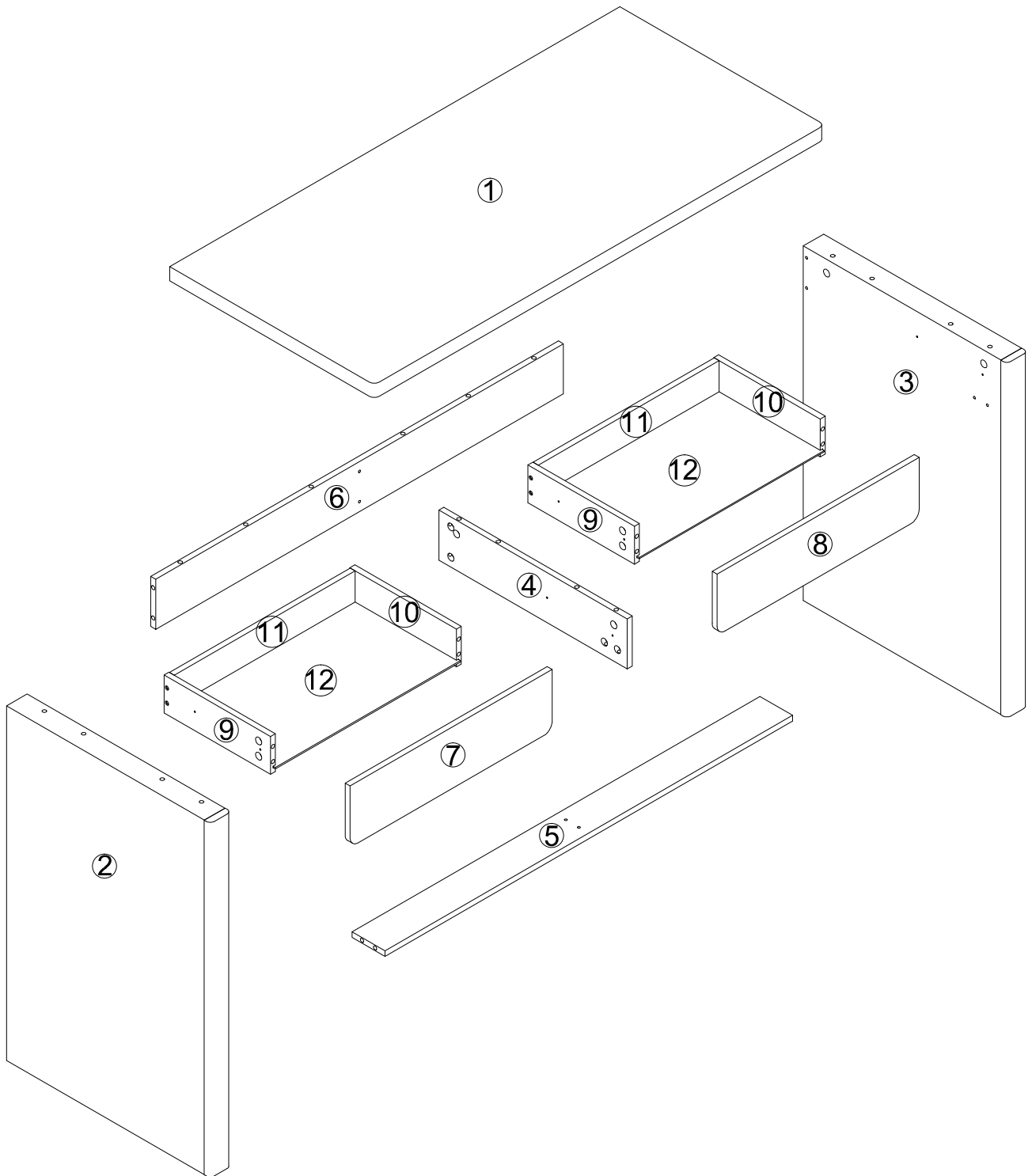


Loosen the screws on the left and right hand side, then adjust the drawer slide up or down, until the drawer fronts are even/level, then tighten the screws.

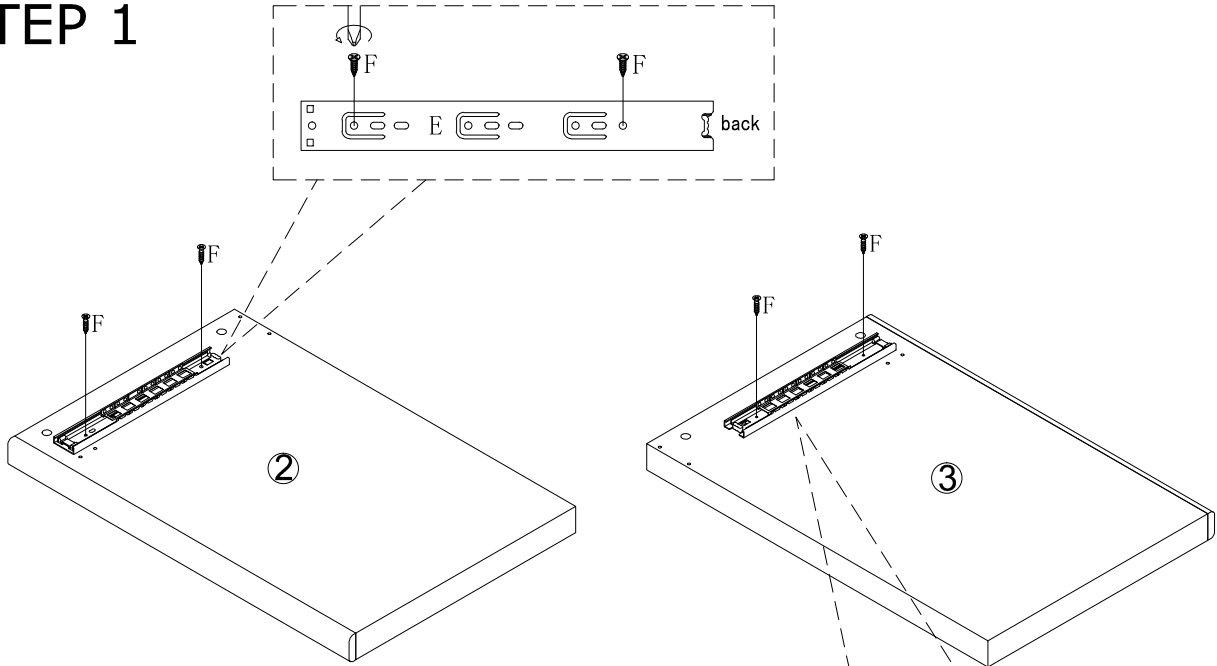
Part List

<p>No. A Quantity:30 Pcs Cam Lock Dowel 8*28mm</p> 	<p>No. B Quantity:30 Pcs Cam φ15</p> 	<p>No. C Quantity:30 Pcs Sticker Ø20</p> 	<p>No. D Quantity:8 Pcs Dowel 8*30mm</p> 
<p>No. E Quantity:2 Sets Drawer Slider 10"</p> 	<p>No. F Quantity:16 Pcs Screw M3.5*12mm</p> 	<p>No. G Quantity:8 Pcs Screw M4*30mm</p> 	<p>No. H Quantity:4 Pcs Foot Pad Ø15</p> 

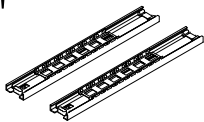
Product structure



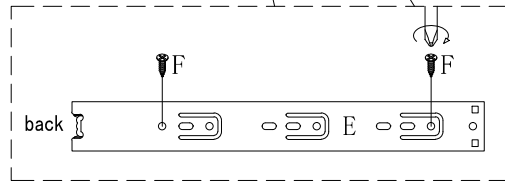
STEP 1



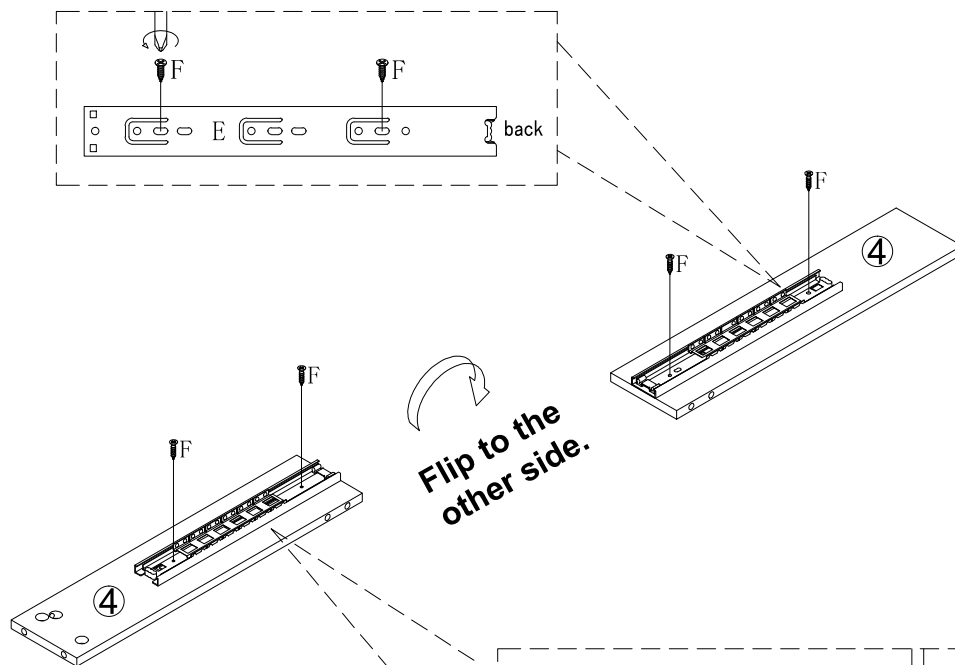
No. E
Quantity: 1 Sets
10"



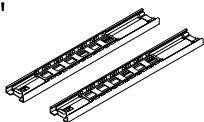
No. F
Quantity: 4 Pcs
M3.5*12mm



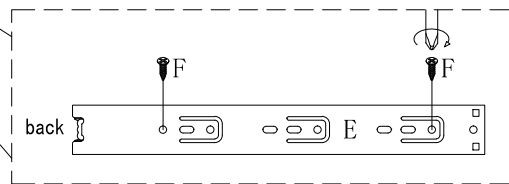
STEP 2



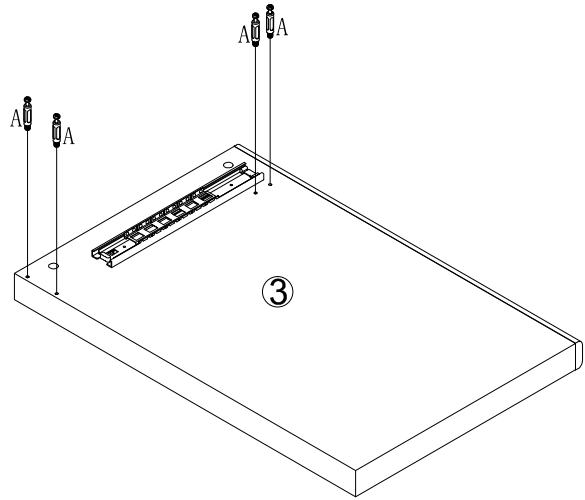
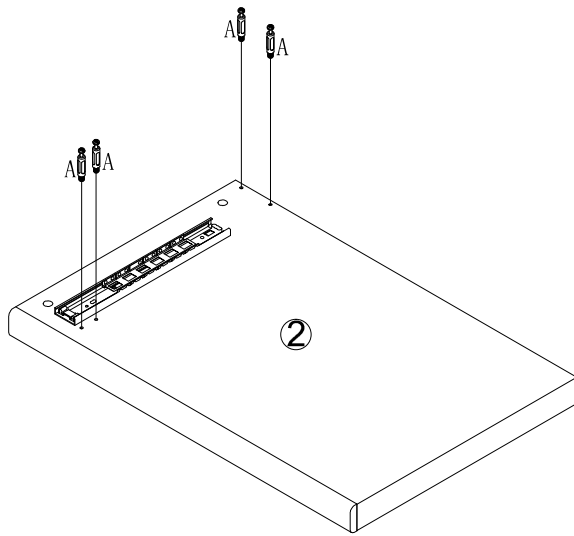
No. E
Quantity: 1 Sets
10"



No. F
Quantity: 4 Pcs
M3.5*12mm



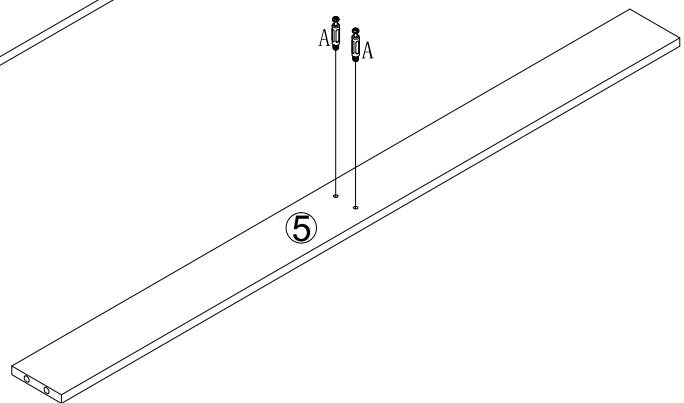
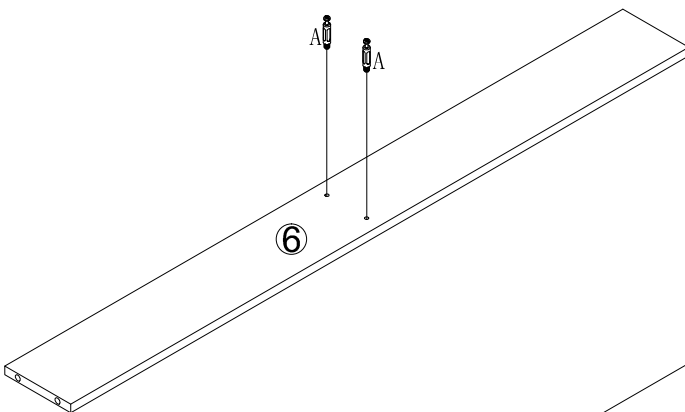
STEP 3



No. A
Quantity: 8 Pcs
8*28 mm



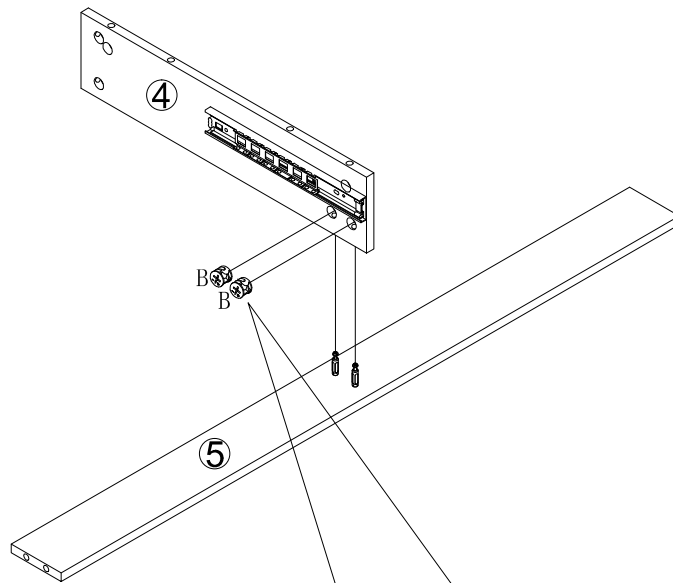
STEP 4



No. A
Quantity: 4 Pcs
8*28 mm



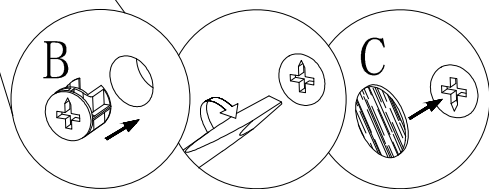
STEP 5



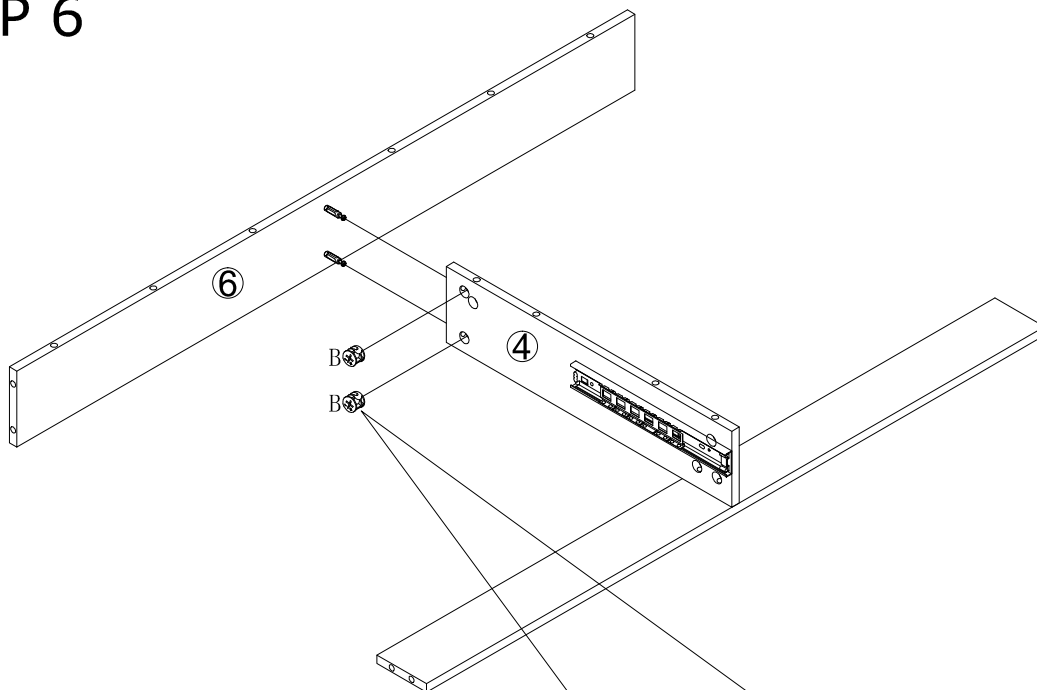
No. B
Quantity: 2 Pcs
Ø15



No. C
Quantity: 2 Pcs
Ø20



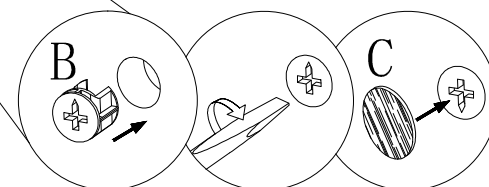
STEP 6



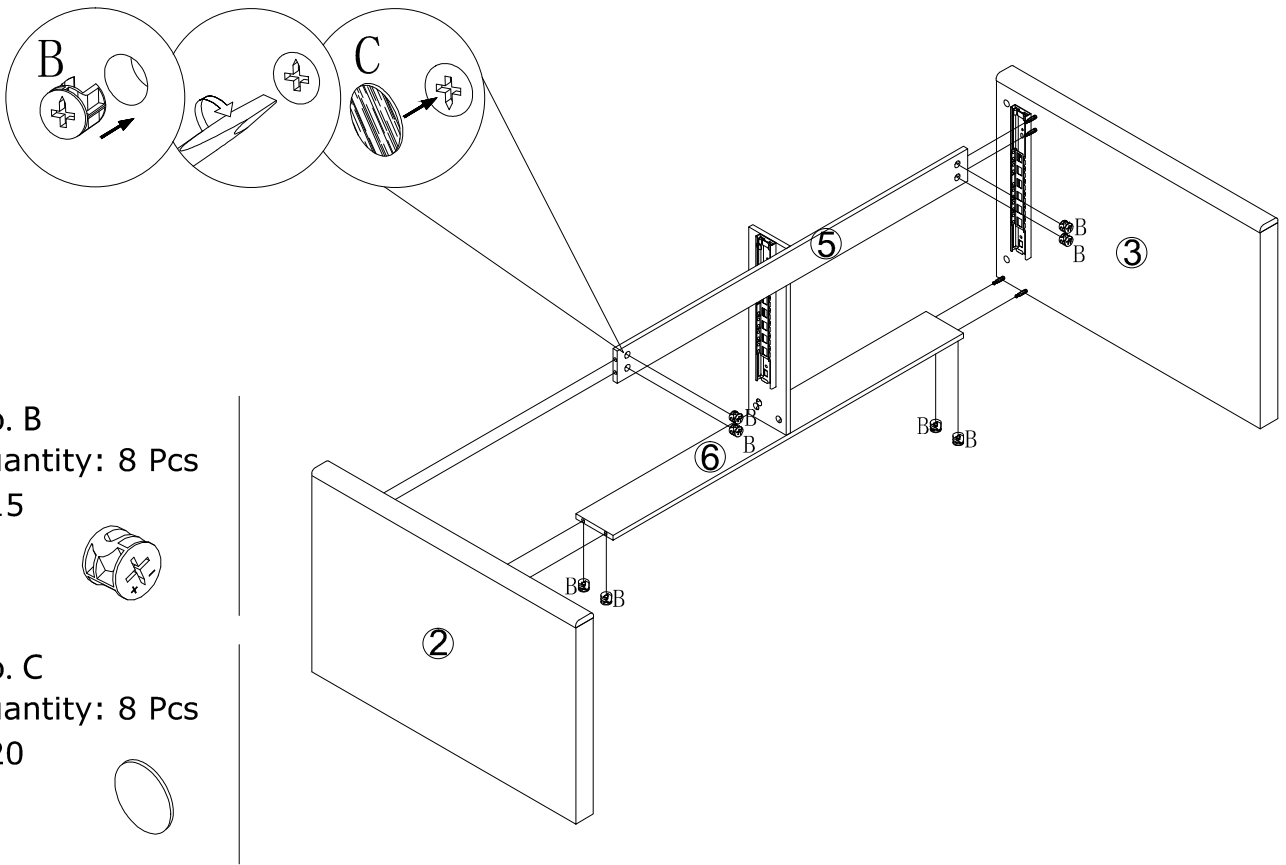
No. B
Quantity: 2 Pcs
Ø15



No. C
Quantity: 2 Pcs
Ø20



STEP 7



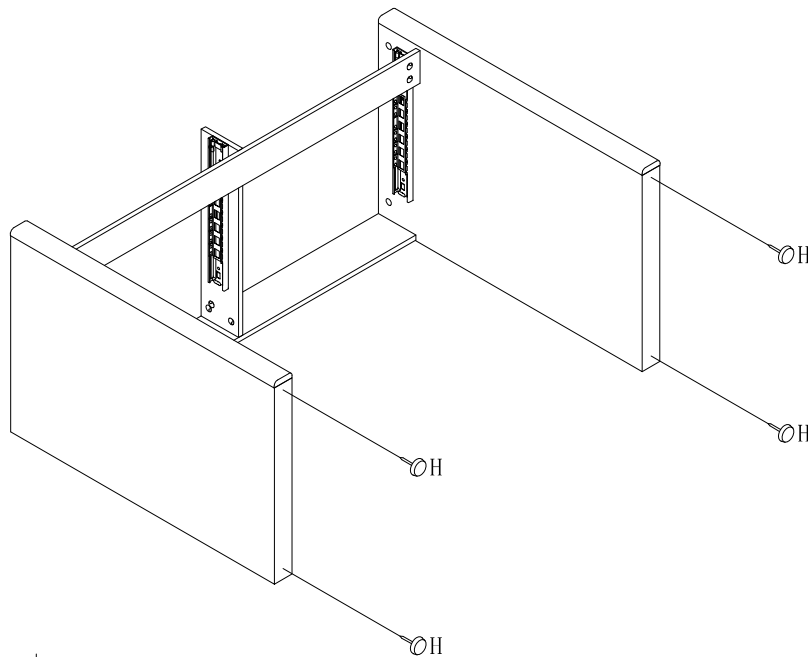
No. B
Quantity: 8 Pcs
Ø15



No. C
Quantity: 8 Pcs
Ø20



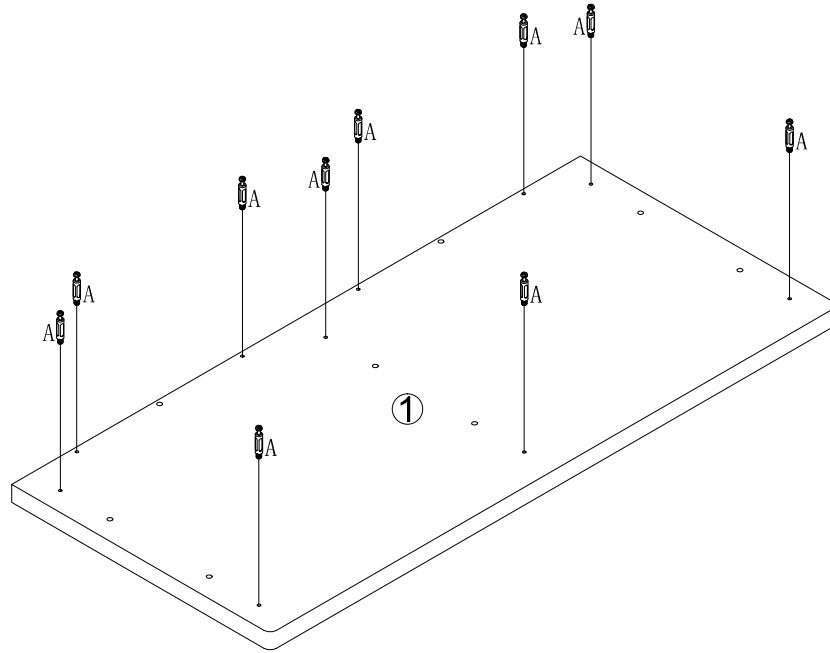
STEP 8



No. H
Quantity: 4 Pcs
Ø15



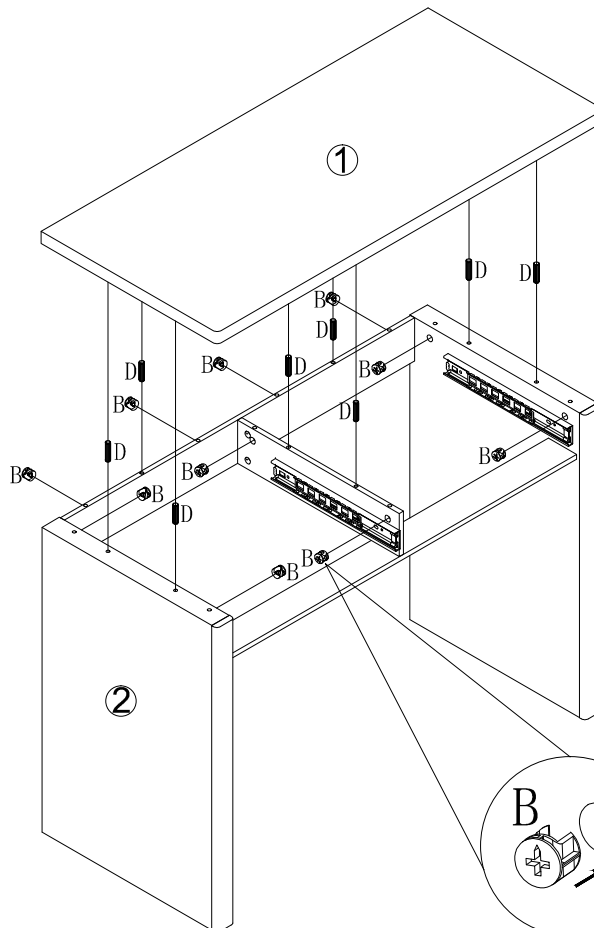
STEP 9



No. A
Quantity: 10 Pcs
8*28 mm



STEP 10



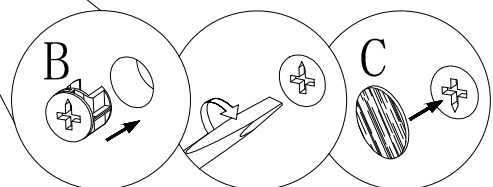
No. B
Quantity: 10 Pcs
Ø15



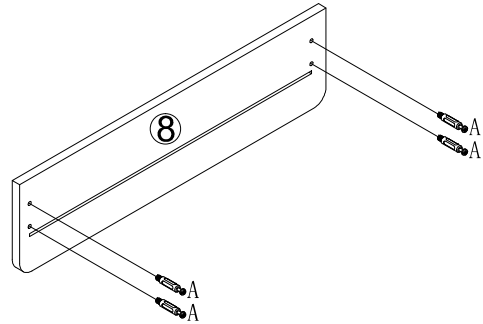
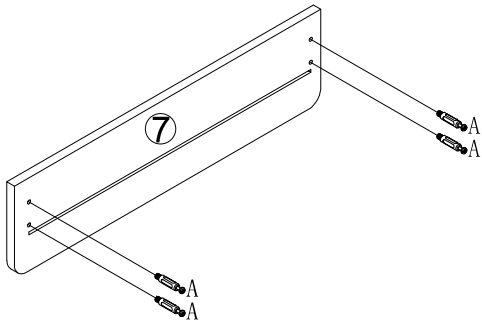
No. C
Quantity: 10 Pcs
Ø20



No. D
Quantity: 8 Pcs
8*30mm



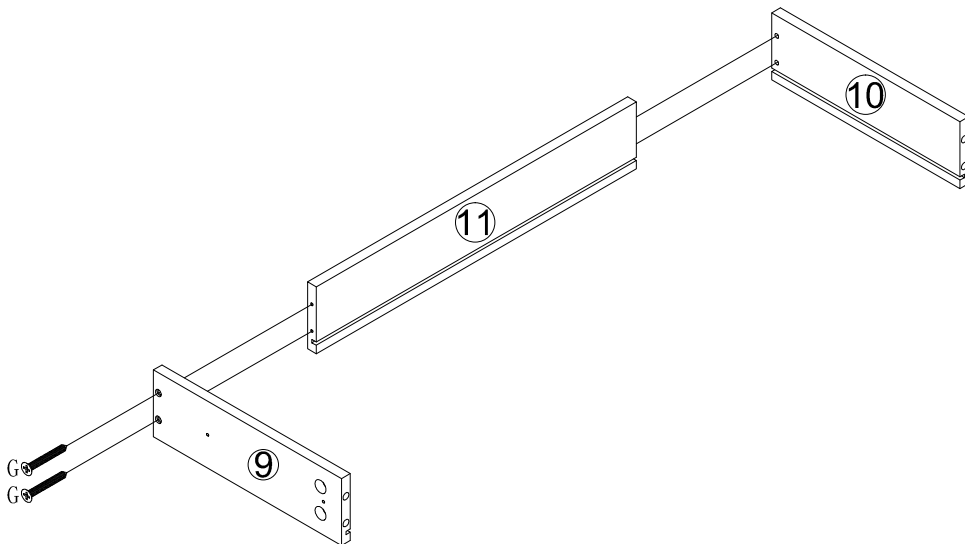
STEP 11



No. A
Quantity: 8 Pcs
8*28 mm

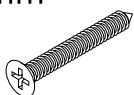


STEP 12

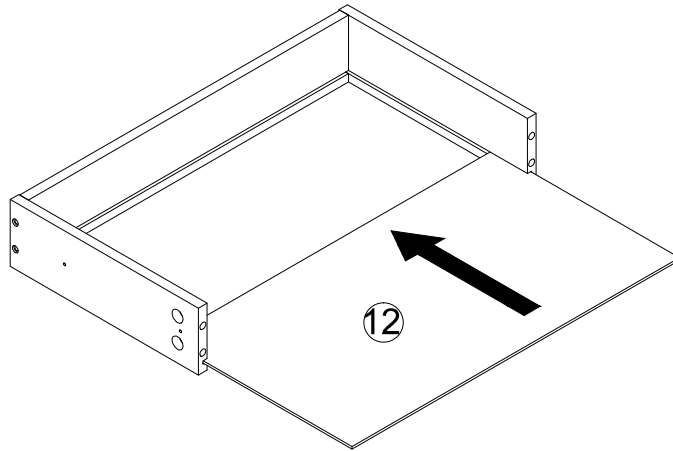


x2

No. G
Quantity: 8 Pcs
M4*30mm

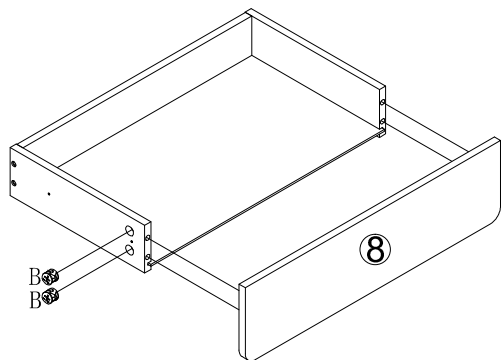
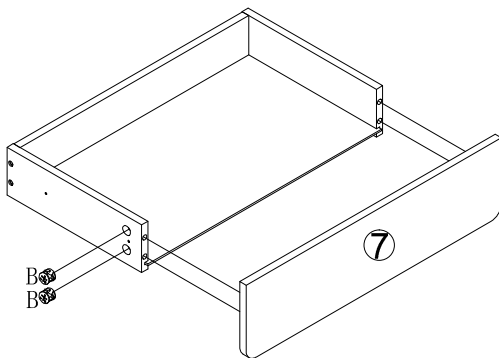


STEP 13



x2

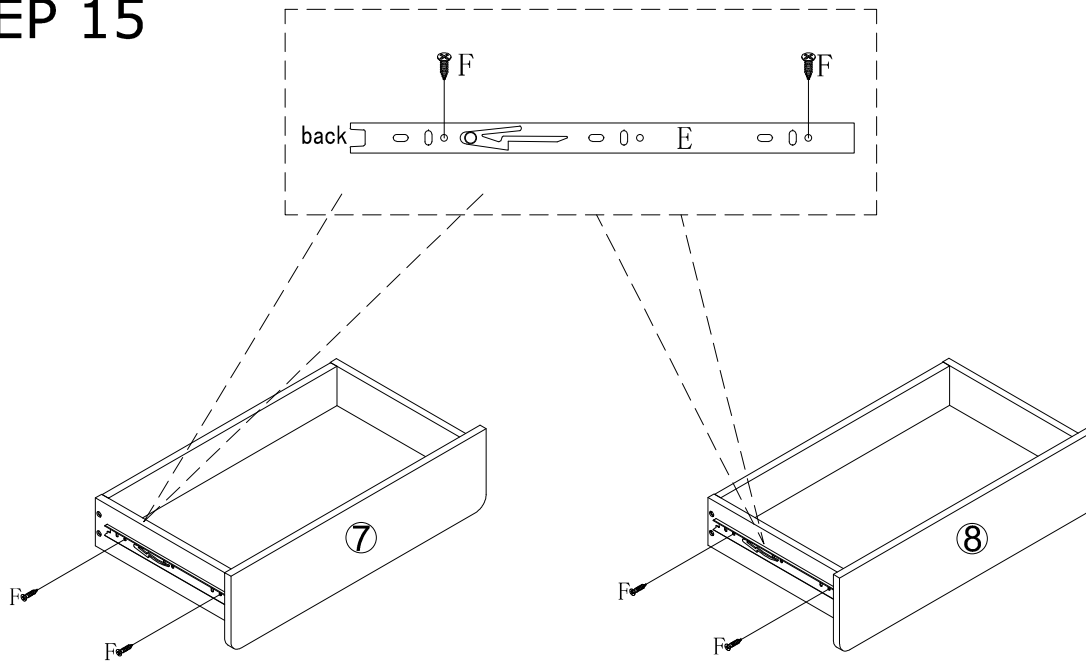
STEP 14



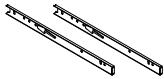
No. B
Quantity: 8 Pcs
Ø15



STEP 15



No. E
Quantity: 2 Sets
10"



No. F
Quantity: 8 Pcs
M3.5*12mm



STEP 16

