

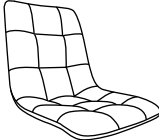
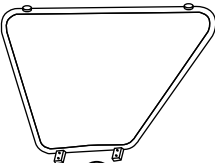
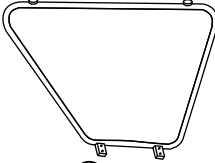

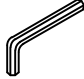






JD9213-2-Y1 ASSEMBLY INSTRUCTION

		 <p>① × 1</p>	 <p>② × 1</p>	 <p>③ × 1</p>	 <p>φ6X16 ④ × 8</p>
 <p>5# ⑤ × 1</p>	 <p>M6×25 ⑥ × 8</p>	<p>Spart part1</p>  <p>φ6X16 ④ × 1</p>	<p>Spart part2</p>  <p>M6×25 ⑥ × 1</p>	<p>Spart part3</p>  <p>⑦ × 1</p>	

