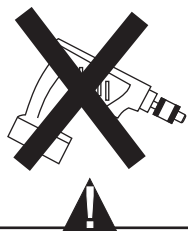
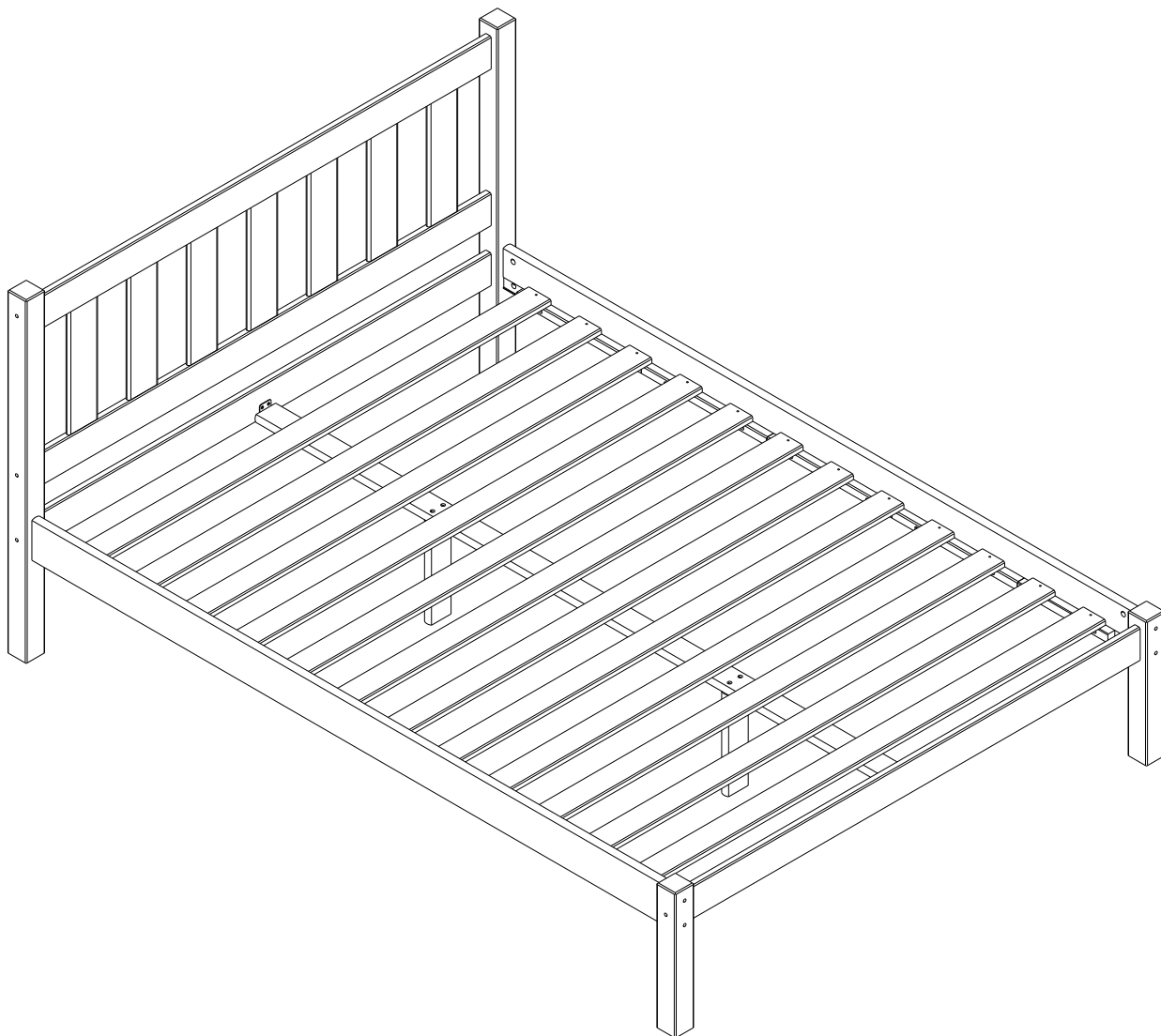
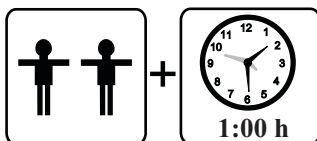


ASSEMBLY INSTRUCTIONS

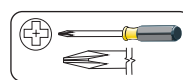
Full Bed



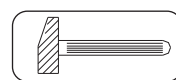
* Use of power tool to assemble this product will invalidate any claim and damage this product making it unsafe !!!
* Please assemble on a clean soft surface to avoid damage.



Tools Required

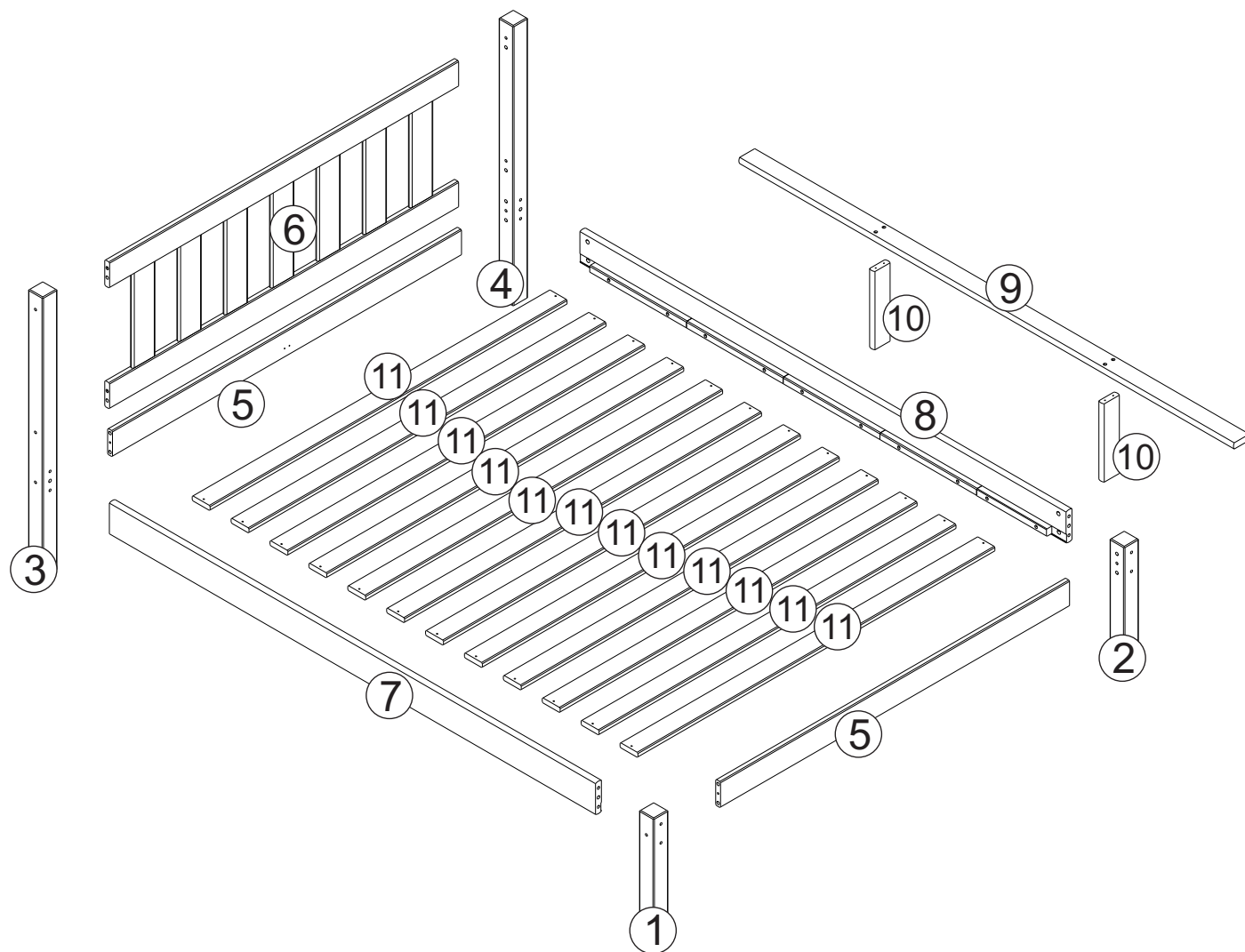


(Not included)




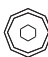
(Not included)


Part List - Full Bed




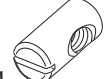
Identifying the Hardware-Identify the hardware using the illustrations below.


A  **08**
1/4 x 100 x 17mm

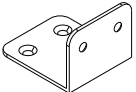
B  **08**
7 x 100 x 17mm


C  **24**
4,0 x 35

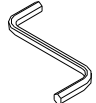
D  **16**
10X40


E  **08**
1/4

F  **04**
4,0 x 50

G  **02**

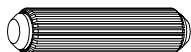
H  **08**
3,5 x 16

I  **01**

J  **02**
82mm

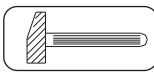
01

D

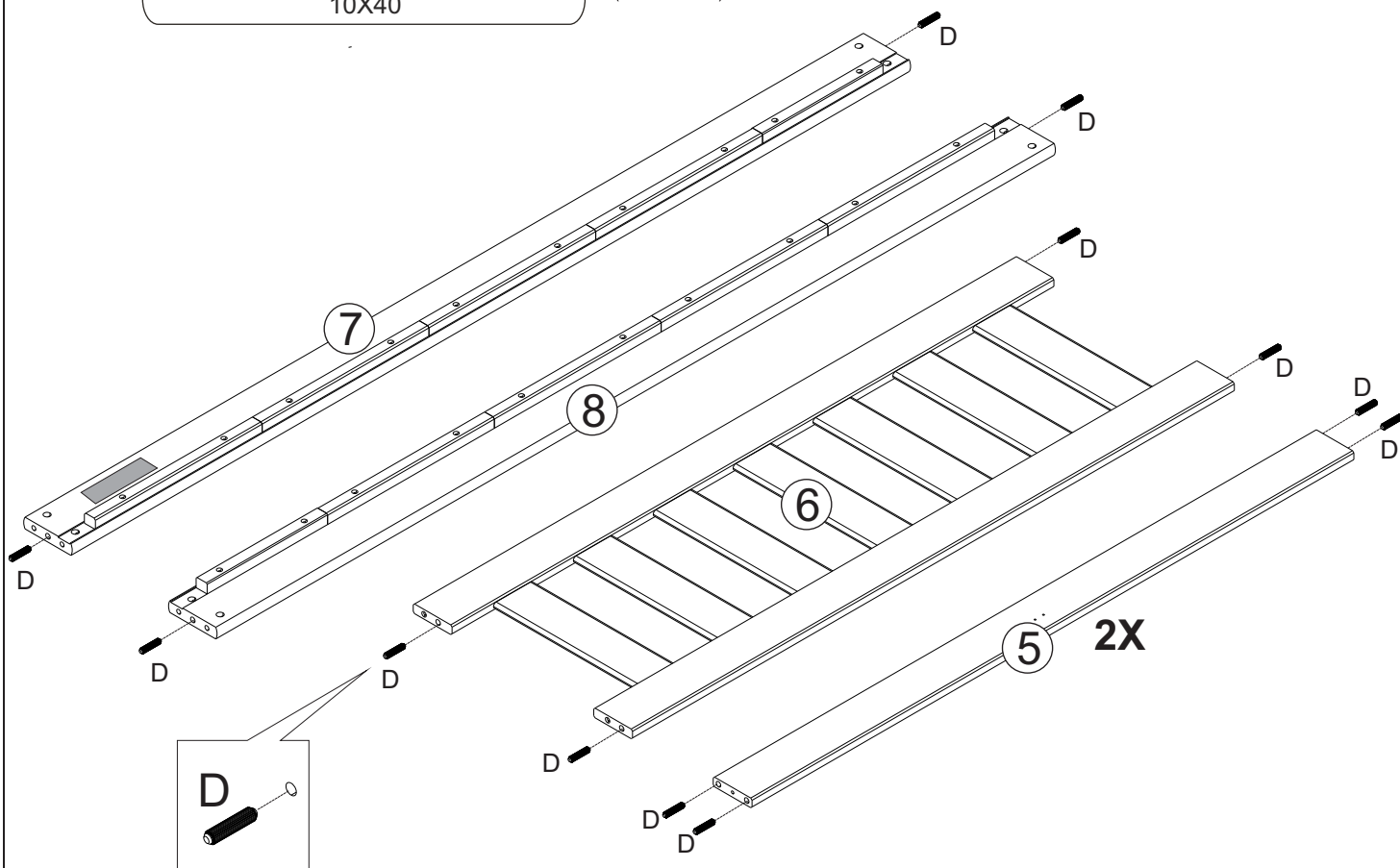


10X40

16



(Not included)



02

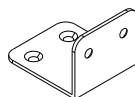
H



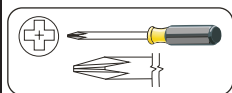
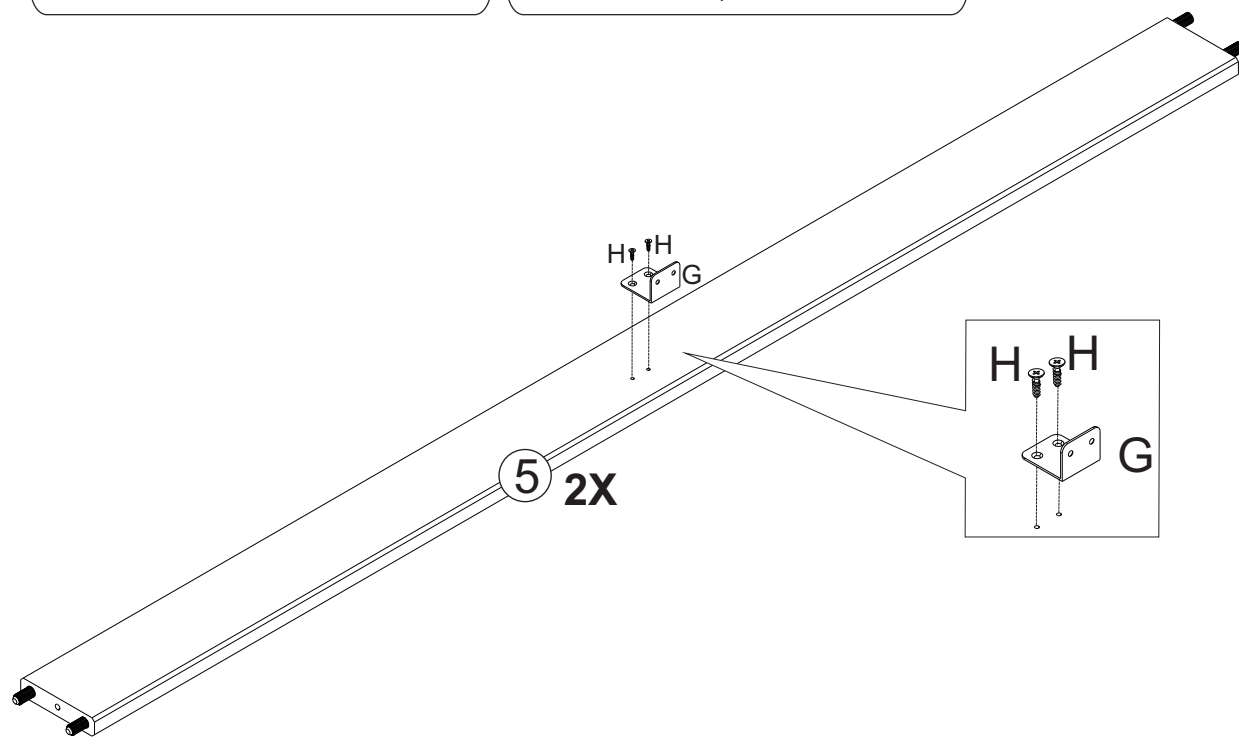
3,5 x 16

04

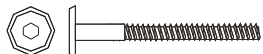
G



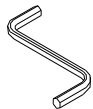
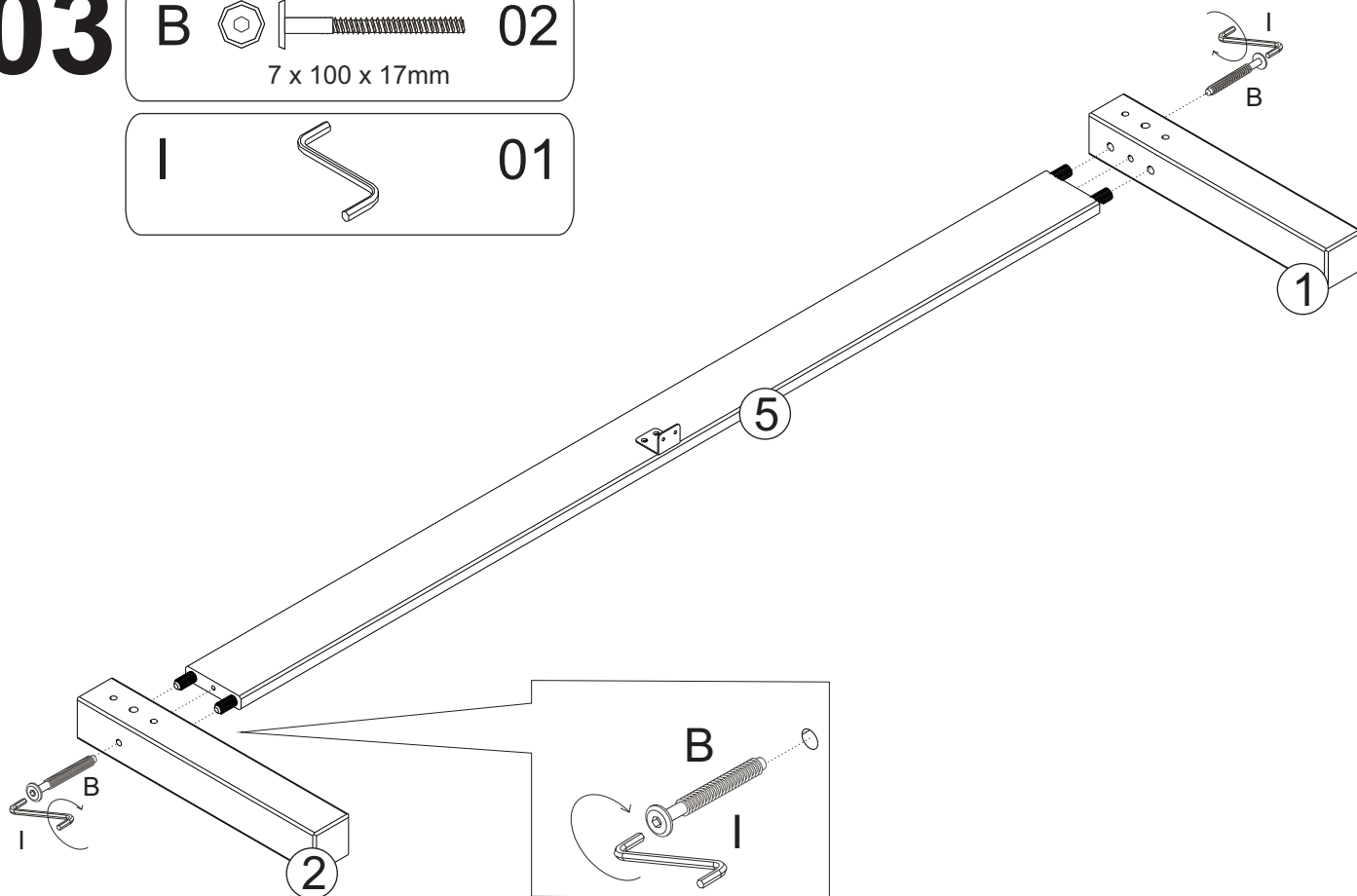
02



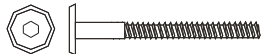
03

B**02**

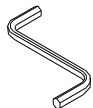
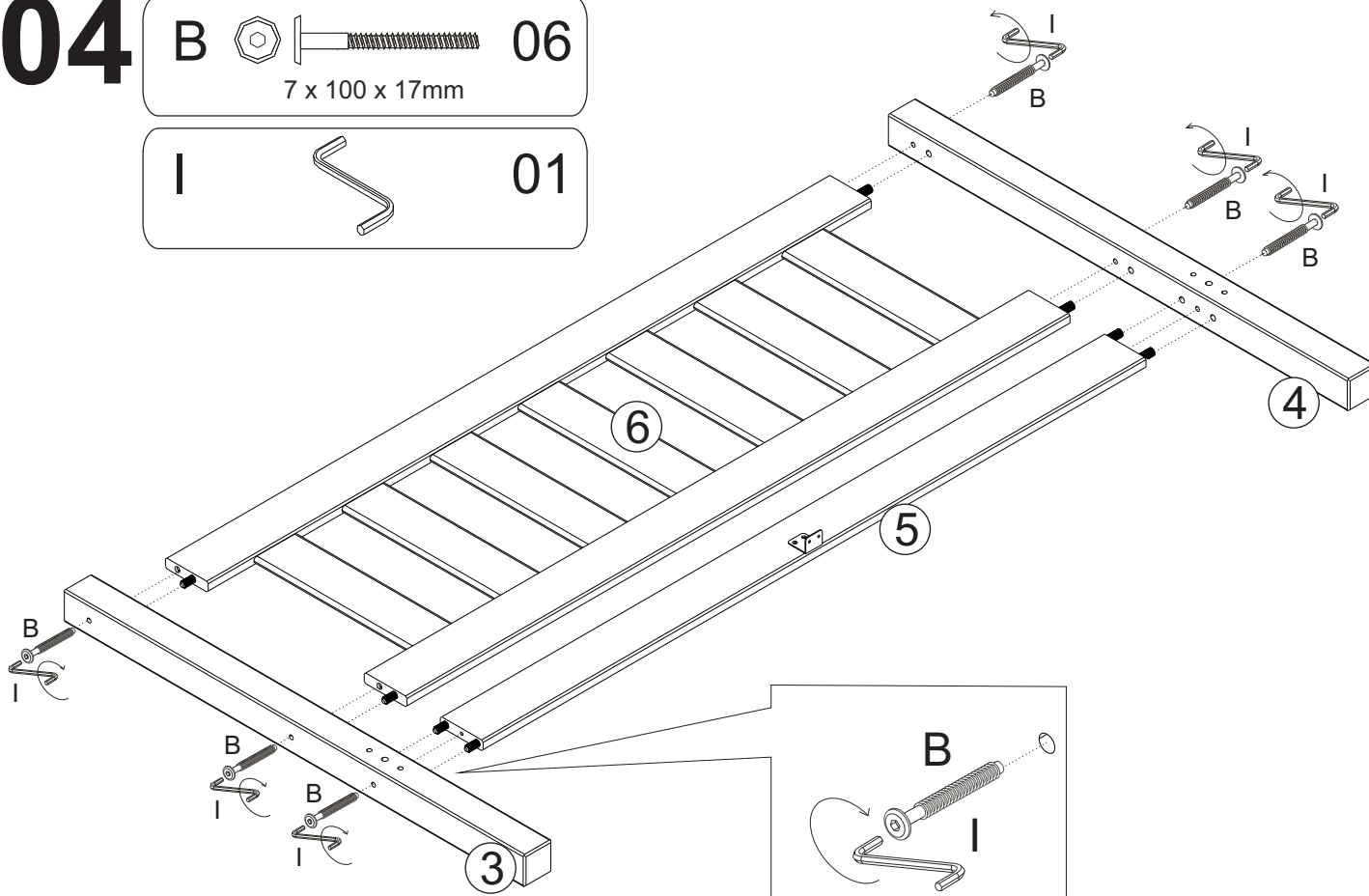
7 x 100 x 17mm

I**01**


04


B**06**

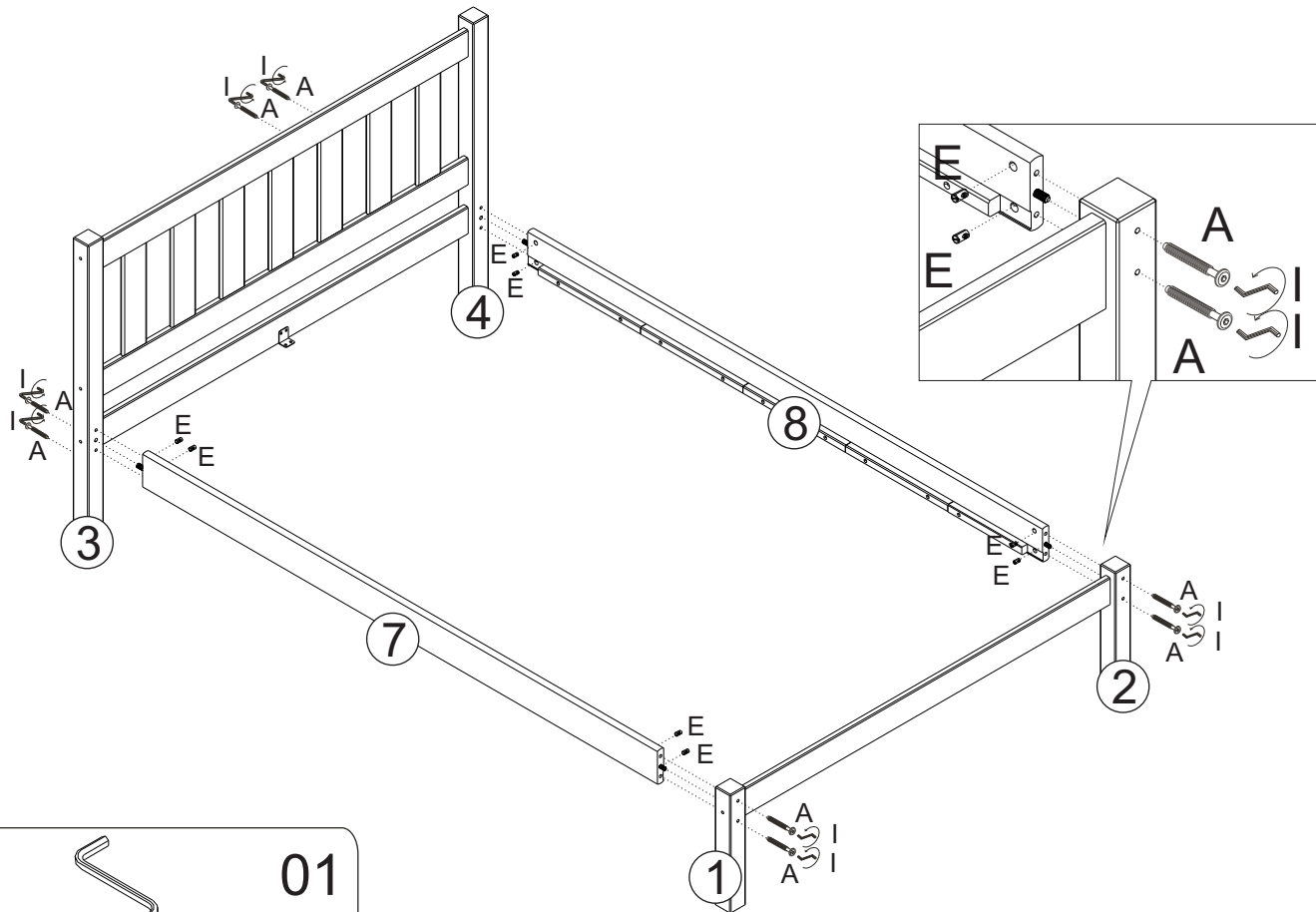
7 x 100 x 17mm

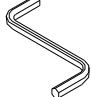
I**01**

05


A  08
1/4 x 100 x 17mm

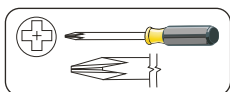
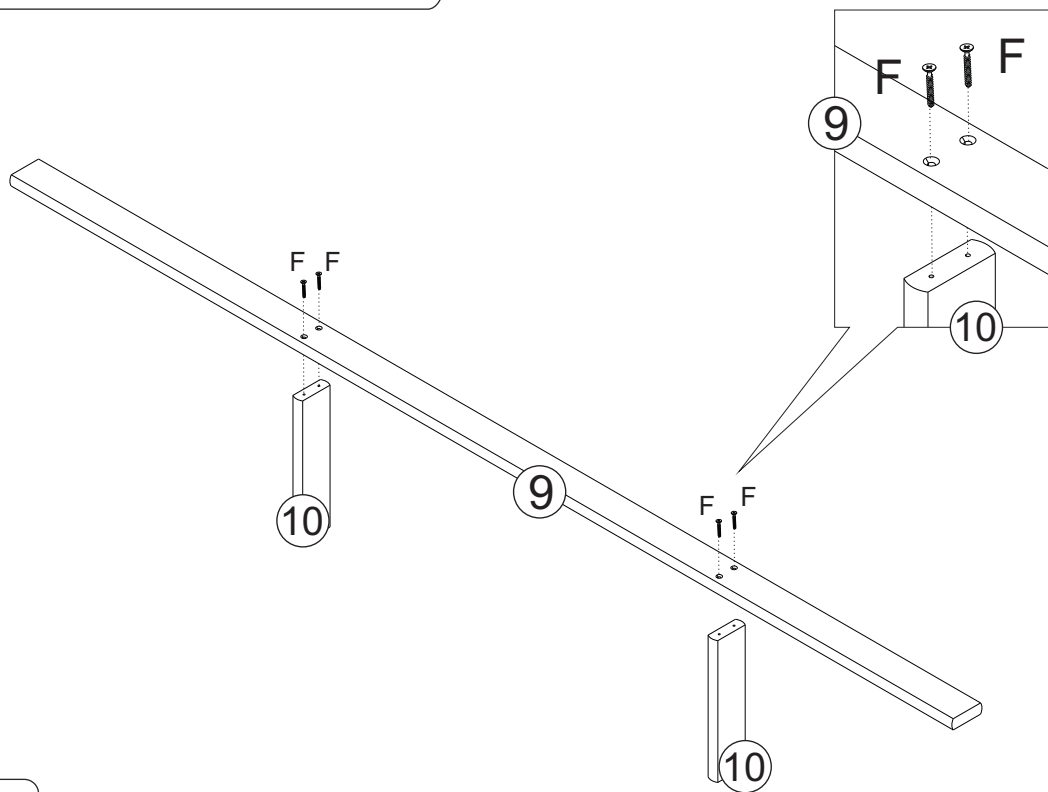
E  08
1/4



I  01

06

F  04
4,0 x 50



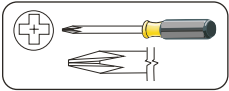
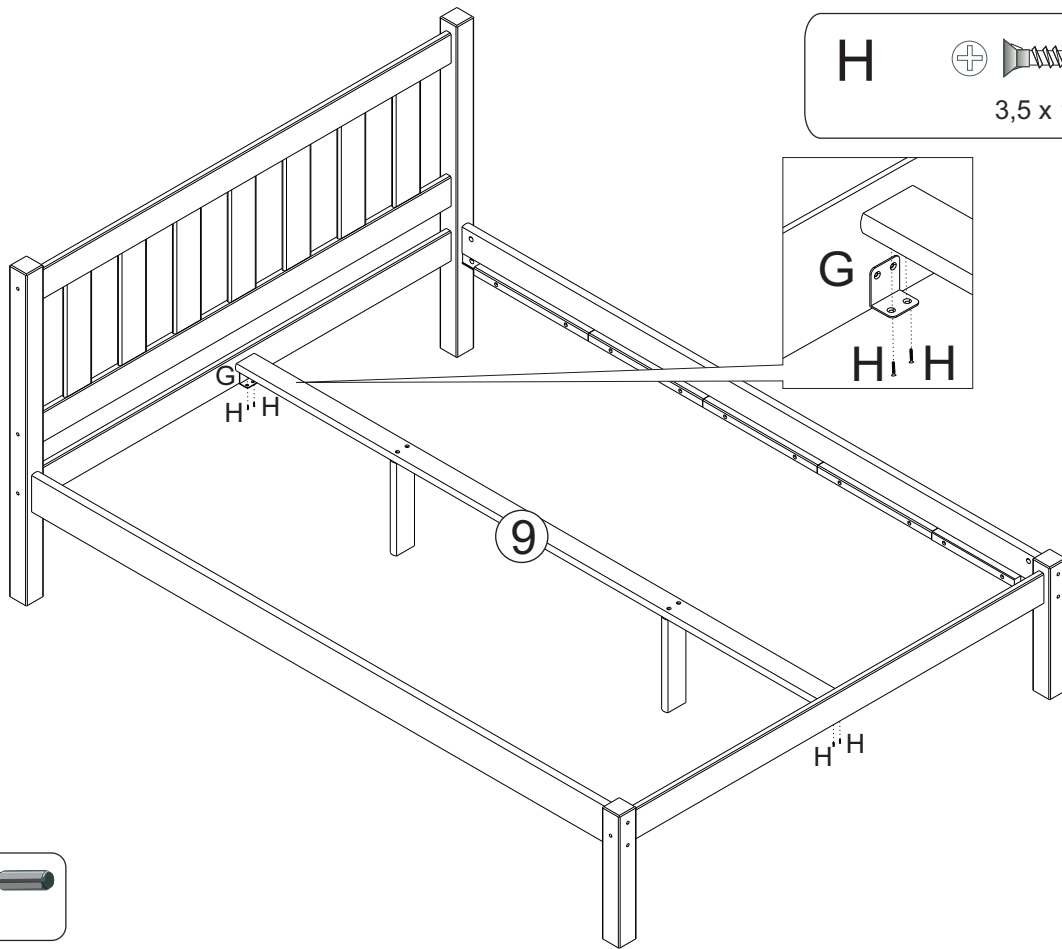
07

H

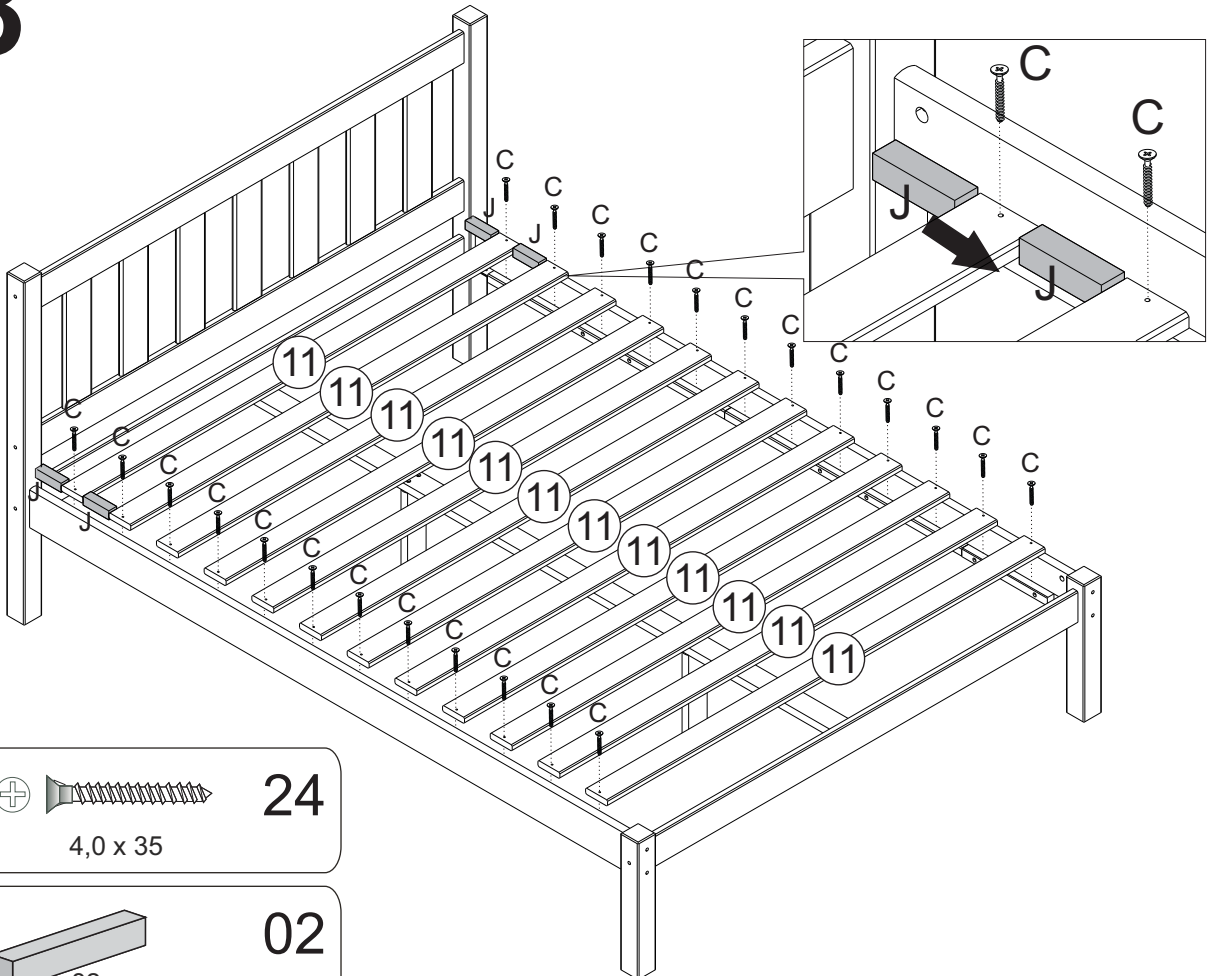


3,5 x 16

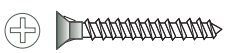
04



08



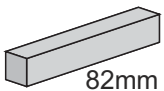
C



4,0 x 35

24

J



82mm

02

