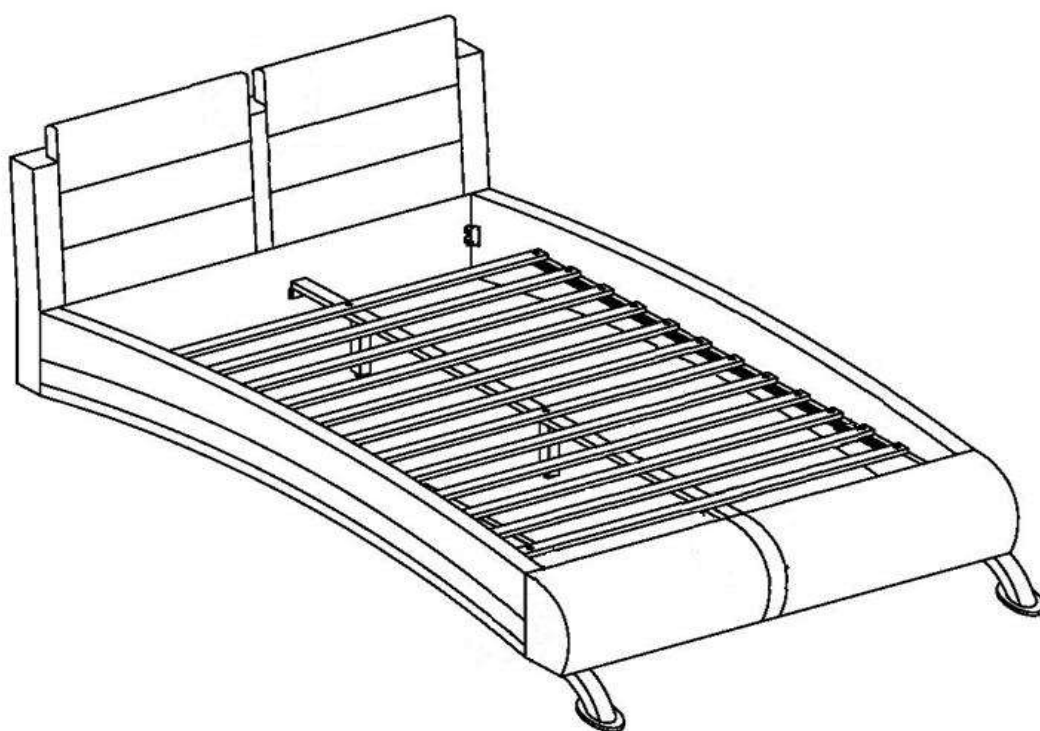


ASSEMBLY INSTRUCTIONS



Fine Furniture for every stage of life

REVISION 0 : 08/13/2014
REVISION 1 : 04/06/2015
REVISION 2 : 05/14/2015
REVISION 3 : 07/25/2019

Queen Bed

ASSEMBLY INSTRUCTIONS

ASSEMBLY TIPS:

1. Remove hardware from box and sort by size.
2. Please check to see that all hardware and parts are present prior to start of assembly.
3. Please follow attached instructions in the same sequence as numbered to assure fast & easy assembly.



WARNING!

1. Don't attempt to repair or modify parts that are broken or defective. Please contact the store immediately.
2. This product is for home use only and not intended for commercial establishments.



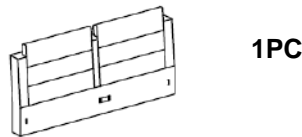
ASSEMBLY TIME

20 MINUTES

PARTS IDENTIFICATION

B1 (BOX 1)

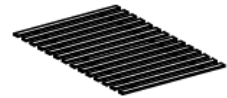
AN HEADBOARD



1PC

BN

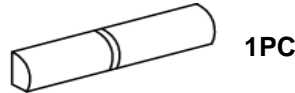
ROLL SLAT
(14PCS)



1SET

B2 (BOX 2)

CN FOOTBOARD PANEL



1PC

B3 (BOX 3)

DN LEFT BED RAIL



1PC

IN

CENTER RAIL



1PC

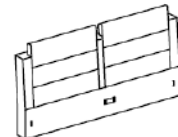
EN RIGHT BED RAIL



1PC

AN

(B1) FROM
BOX 1
HEADBOARD



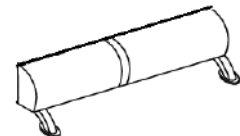
1PC

FN FOOTBOARD LEG



2PCS

(B2&B3) FROM BOX 2
& BOX 3
FOOTBOARD
COMPLETE



1PC

GN BED SLAT SUPPORT
WITH LEVELER



3PCS

HN FOOTBOARD
SUPPORT WITH
LEVELER



1PC

HARDWARE IDENTIFICATION

Z-B3 (BOX 3) - HARDWARE PACK IS LOCATED IN 300345Q (B3)

1 SHORT FLAT HEAD
SCREW
(4 x 25mm - RBW)



12PCS

2 LONG FLAT HEAD
SCREW
(4 x 32mm - RBW)



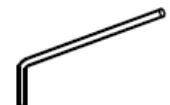
31PCS

3 BOLT
(6x 40mm - RBW)



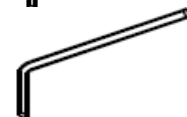
3PCS

4 SMALL ALLEN
WRENCH
(4 X 65MM - BLK)



1PC

5 BIG ALLEN WRENCH
(5 X 70MM - BLK)



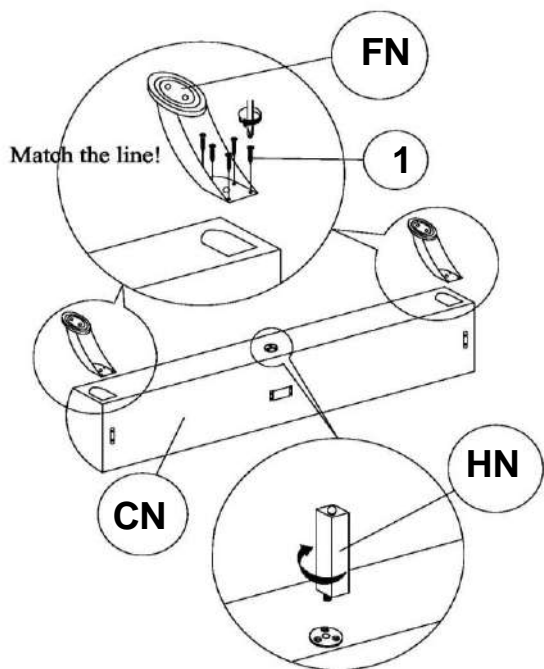
1PC

NOTE:

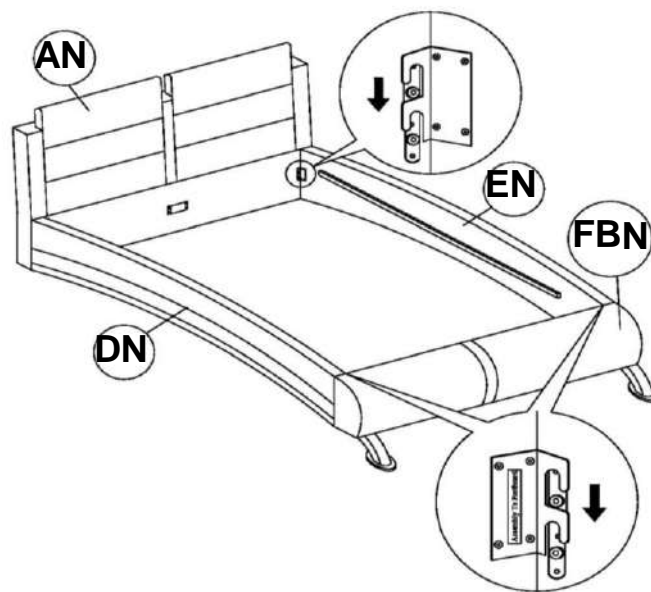
Phillips head screw driver is required in the assembly process; however, manufacturer does not provide this item.

ASSEMBLY INSTRUCTIONS

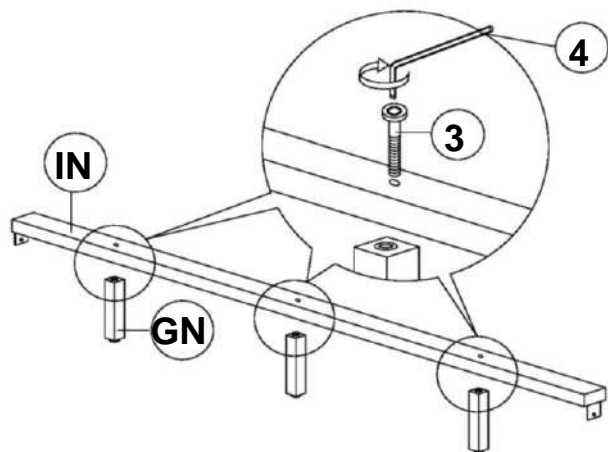
STEP 1



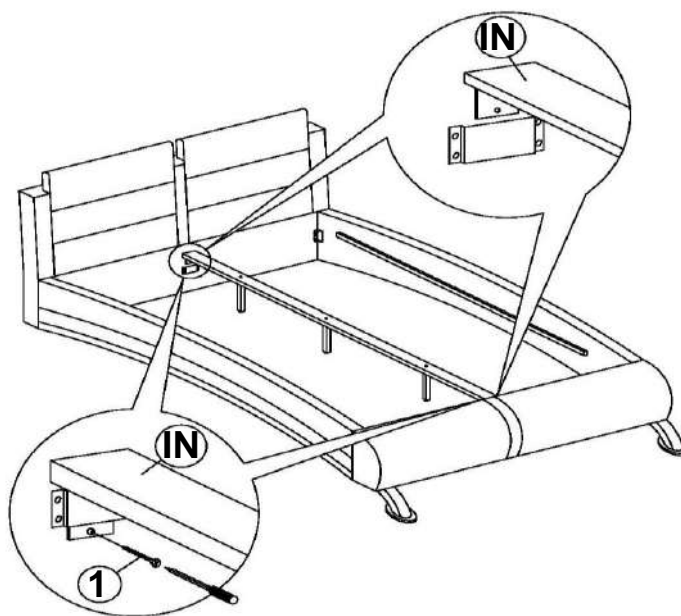
STEP 2



STEP 3

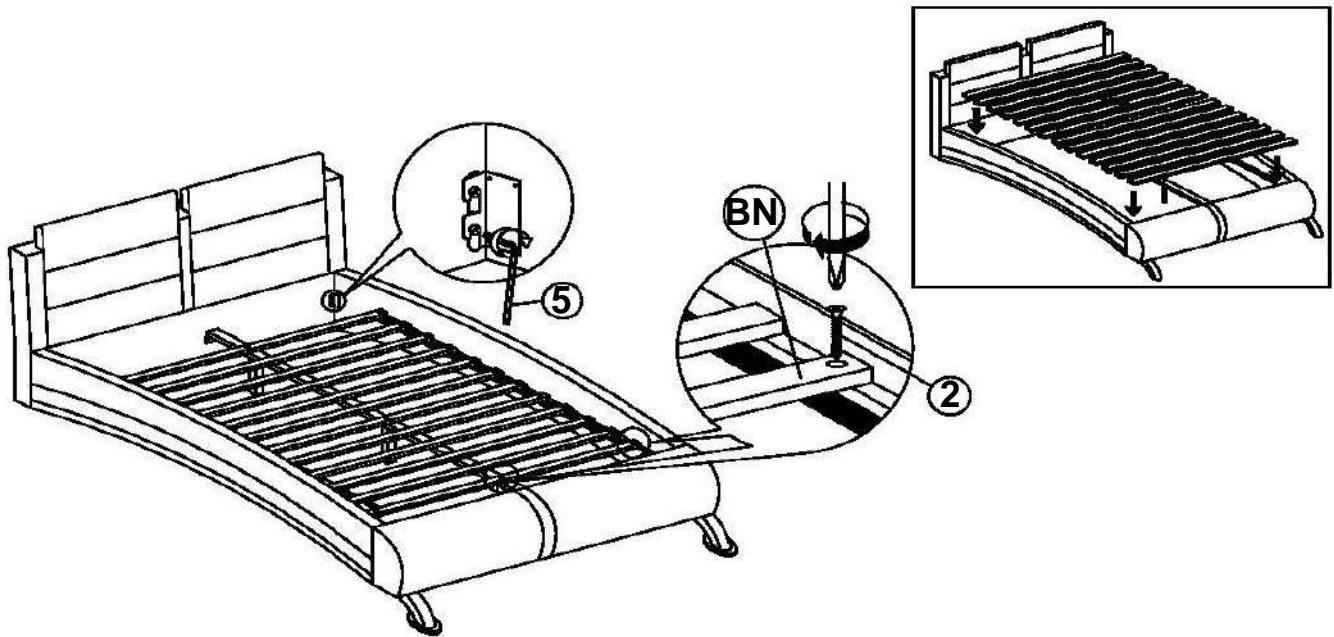


STEP 4



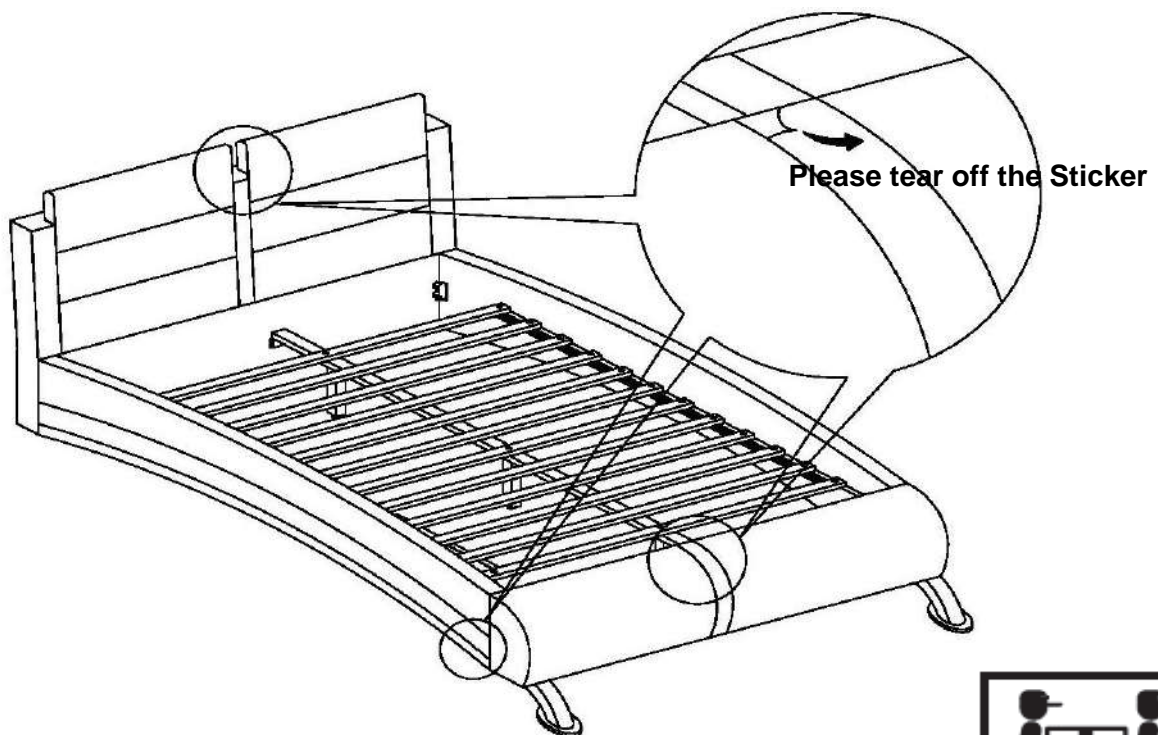
ASSEMBLY INSTRUCTIONS

STEP 5

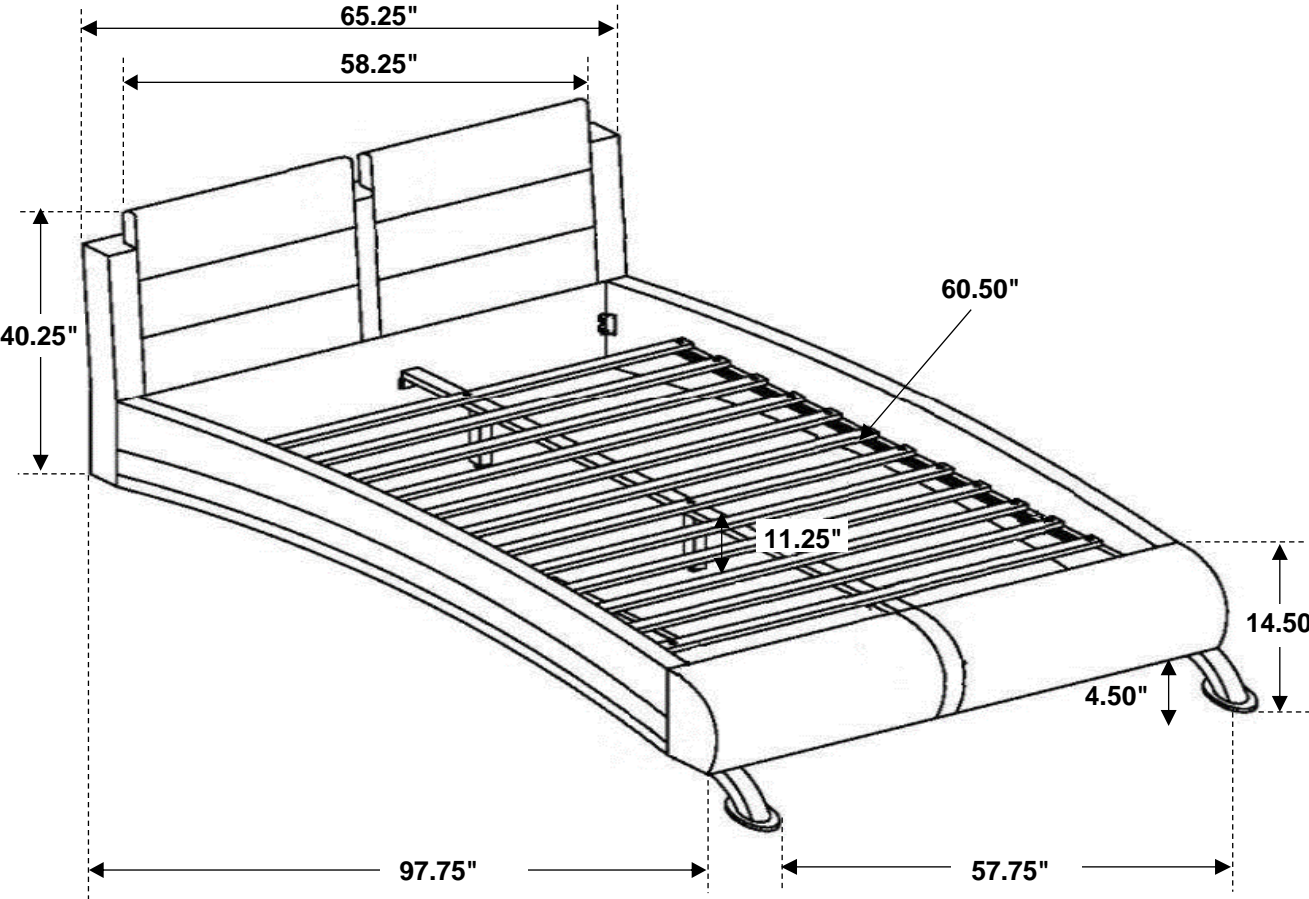


STEP 6

COMPLETE



Inner Size: 60.50"W X 81.00"D



Note: Dimension tolerance $\pm 5\%$

ASSEMBLY INSTRUCTIONS



Fine Furniture for every stage of life

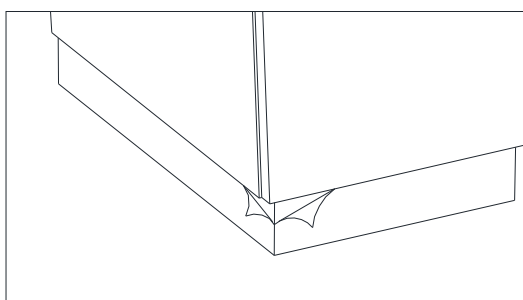
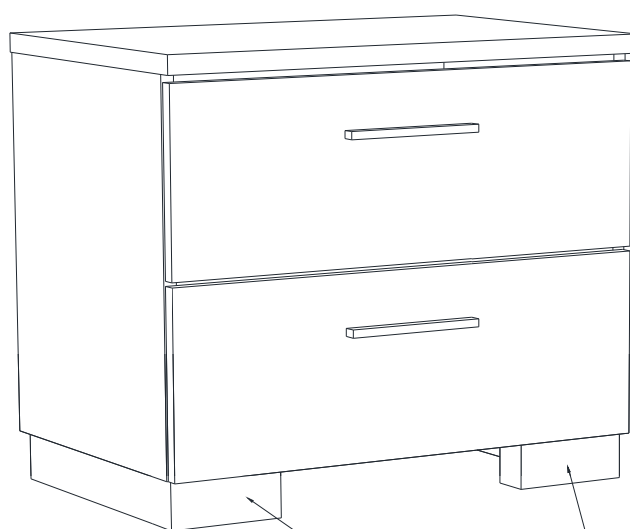
Nightstand

REVISION 0 : 05/27/2014
REVISION 1 : 07/26/2019

PAGE 1 OF 2

ASSEMBLY INSTRUCTIONS

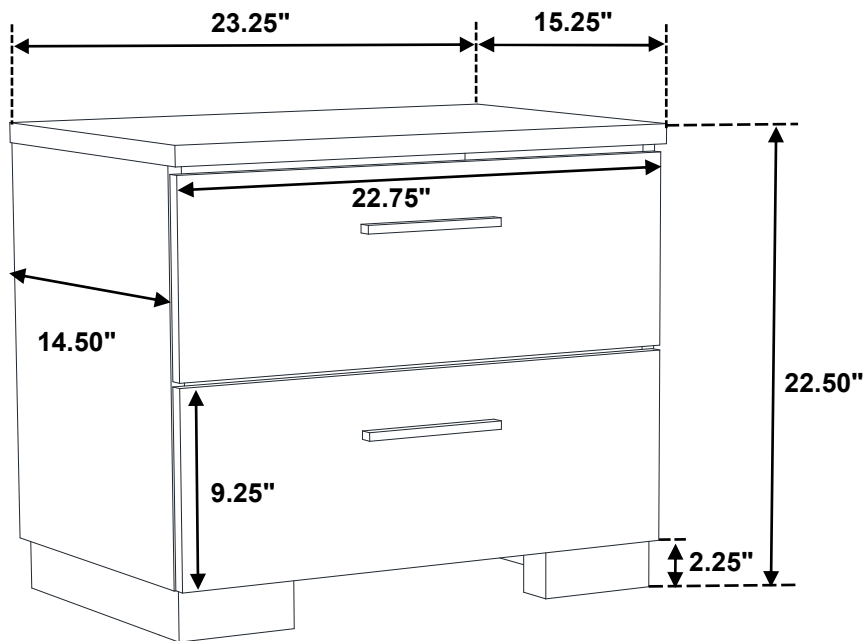
REMOVAL OF PROTECTIVE FILM



**PLEASE REMOVE THE
PROTECTIVE FILM
BEFORE USE**



Inner Size of Drawer : 20.00"W x 12.50"D x 5.00"H x 0.25"T



Note : Dimension tolerance $\pm 5\%$

ASSEMBLY INSTRUCTIONS



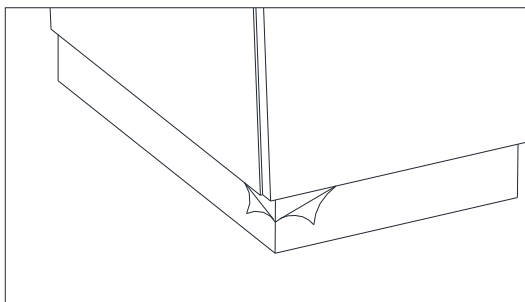
Fine Furniture for every stage of life

Dresser

REVISION 0 : 05/16/2014
REVISION 1 : 05/27/2014
REVISION 2 : 07/26/2019

ASSEMBLY INSTRUCTIONS

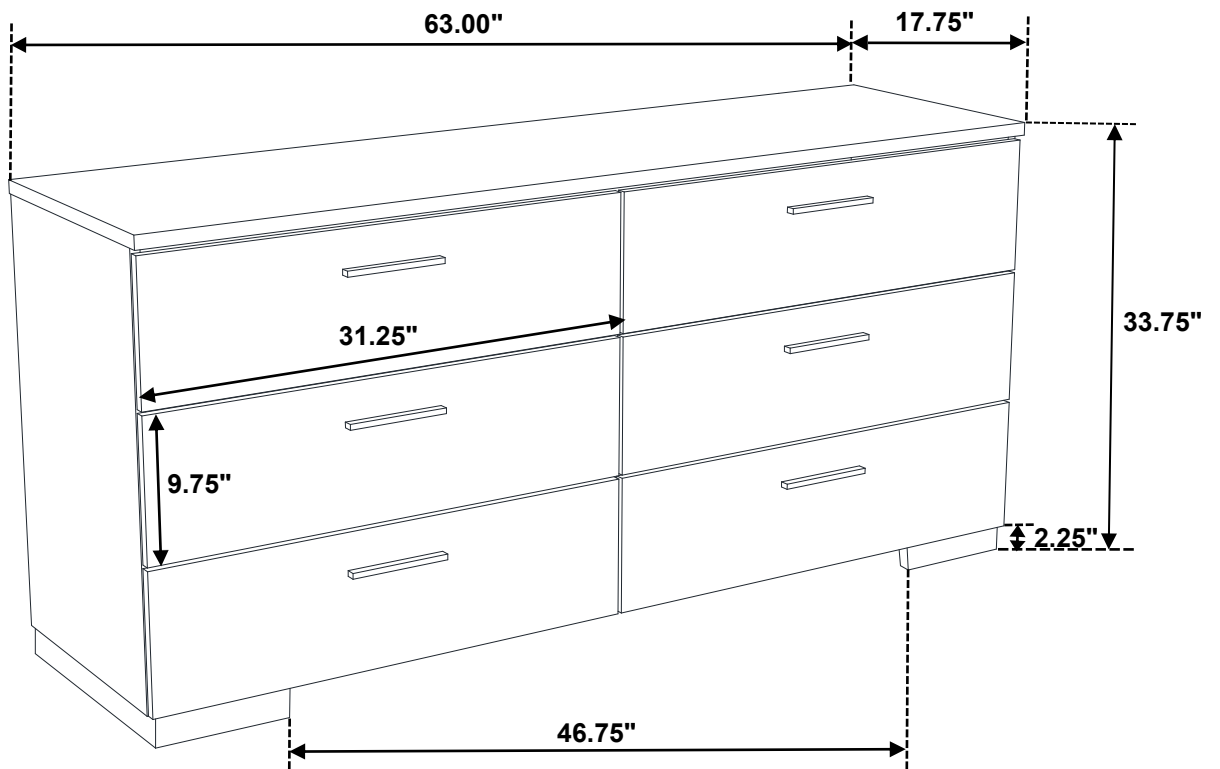
REMOVAL OF PROTECTIVE FILM



**PLEASE REMOVE THE
PROTECTIVE FILM
BEFORE USE**



Inner Size of Drawer : 28.75"W x 12.50"D x 5.00"H x 0.25"T



Note : Dimension tolerance $\pm 5\%$

ASSEMBLY INSTRUCTIONS



Fine Furniture for every stage of life

Mirror

REVISION 0 : 05/16/2014
REVISION 1 : 02/09/2017
REVISION 2 : 07/25/2019

PAGE 1 OF 4

ASSEMBLY INSTRUCTIONS

ASSEMBLY TIPS:

1. Remove hardware from box and sort by size.
2. Please check to see that all hardware and parts are present prior to start of assembly.
3. Please follow attached instructions in the same sequence as numbered to assure fast & easy assembly.



WARNING!

1. Don't attempt to repair or modify parts that are broken or defective. Please contact the store immediately.
2. This product is for home use only and not intended for commercial establishments.



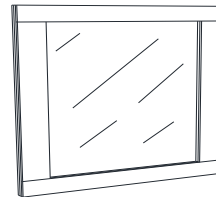
ASSEMBLY TIME

5 MINUTES

PARTS IDENTIFICATION

A

MIRROR



1PC

B

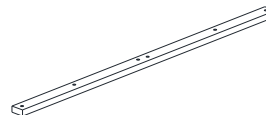
DRESSER
FROM BOX



1PC

C

MIRROR SUPPORT
(PACK WITH DRESSER)



2PCS

HARDWARE IDENTIFICATION

1

FLAT HEAD SCREW
(M4 x 32mm - RBW)



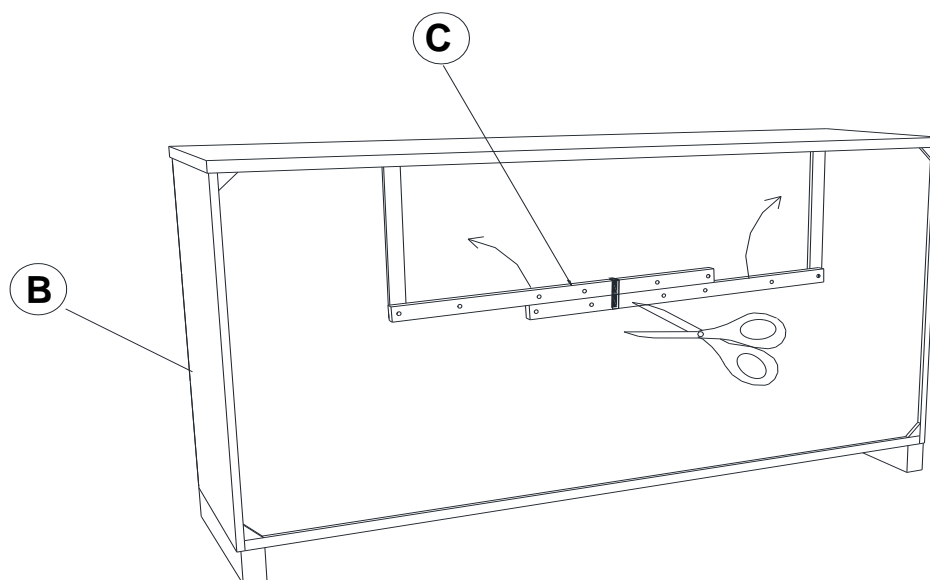
10PCS

NOTE:

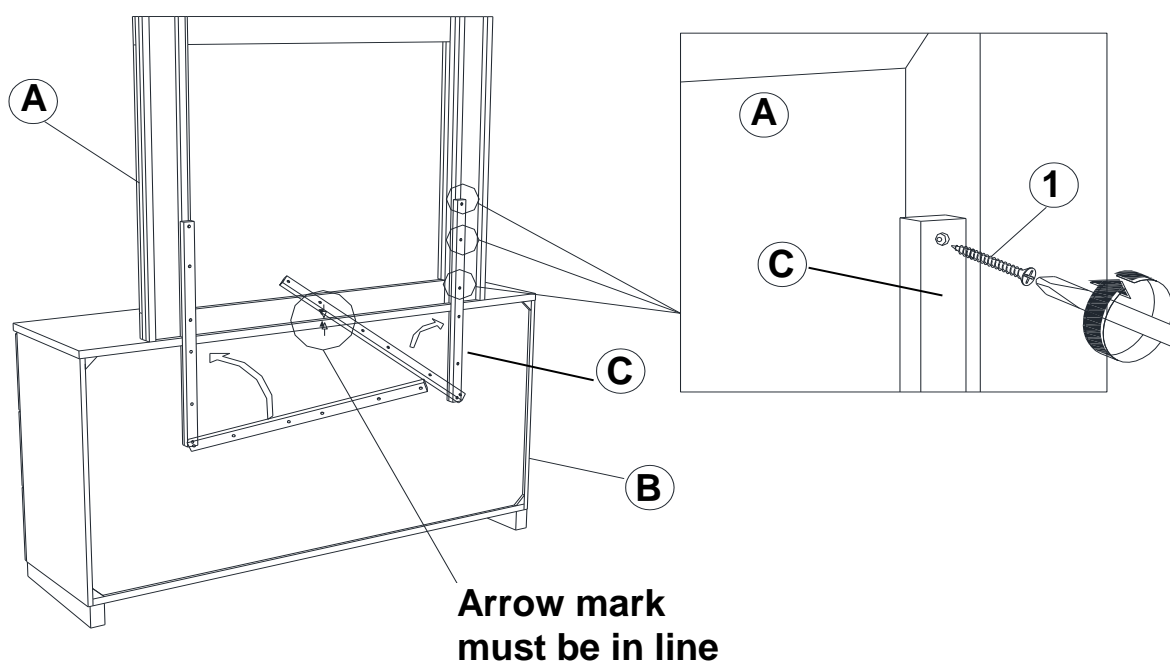
Phillips head screw driver is required in the assembly process; however, manufacturer does not provide this item.

ASSEMBLY INSTRUCTIONS

STEP 1



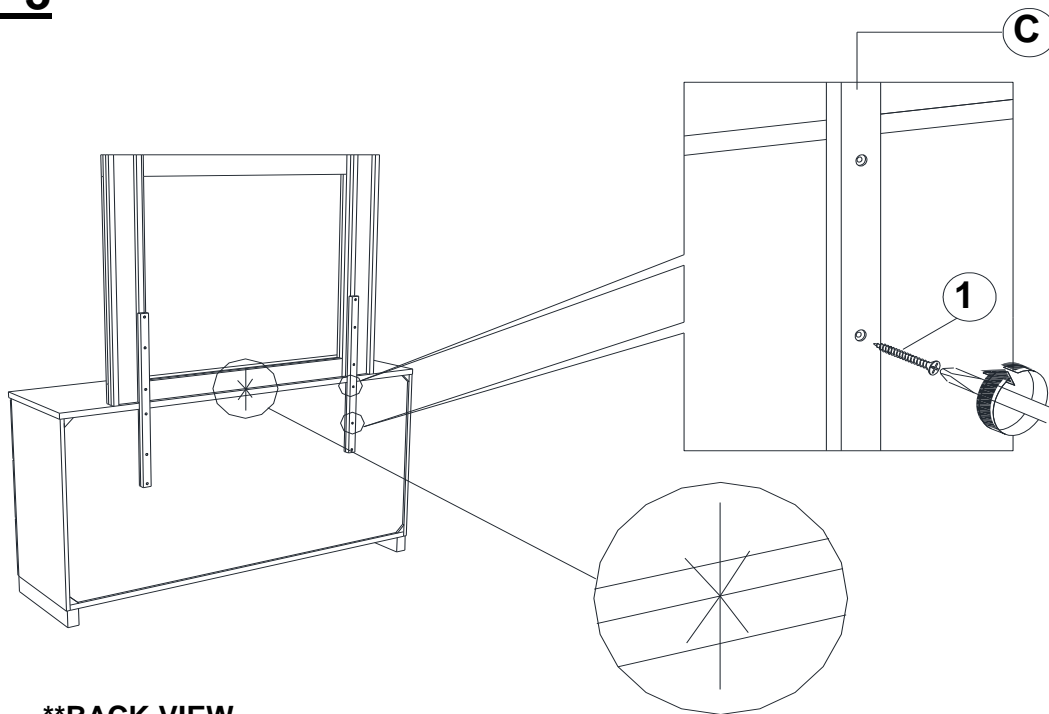
STEP 2



****BACK VIEW**

ASSEMBLY INSTRUCTIONS

STEP 3

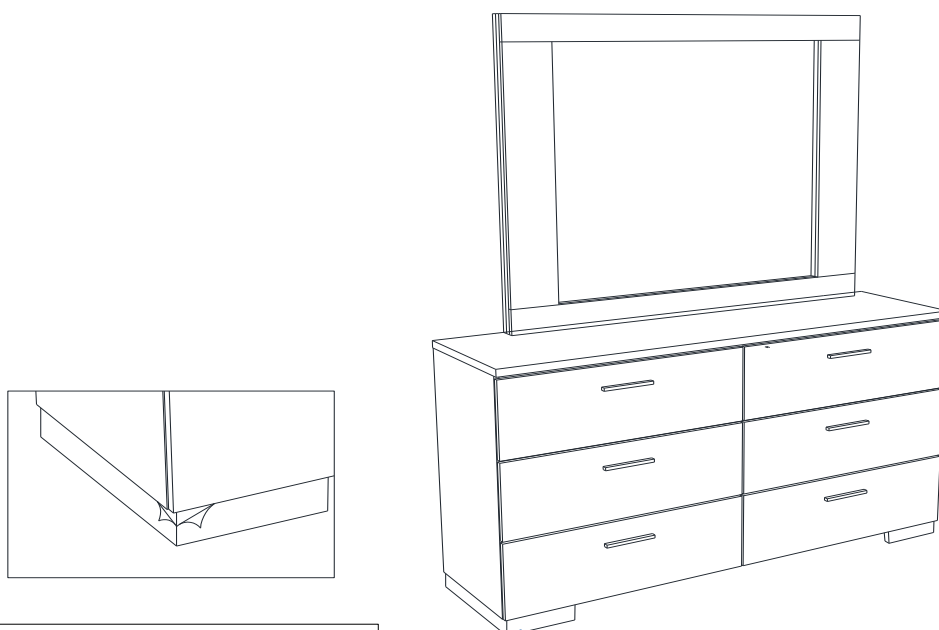


****BACK VIEW**

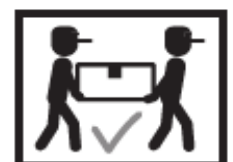
Arrow Marking Must Be Aligned

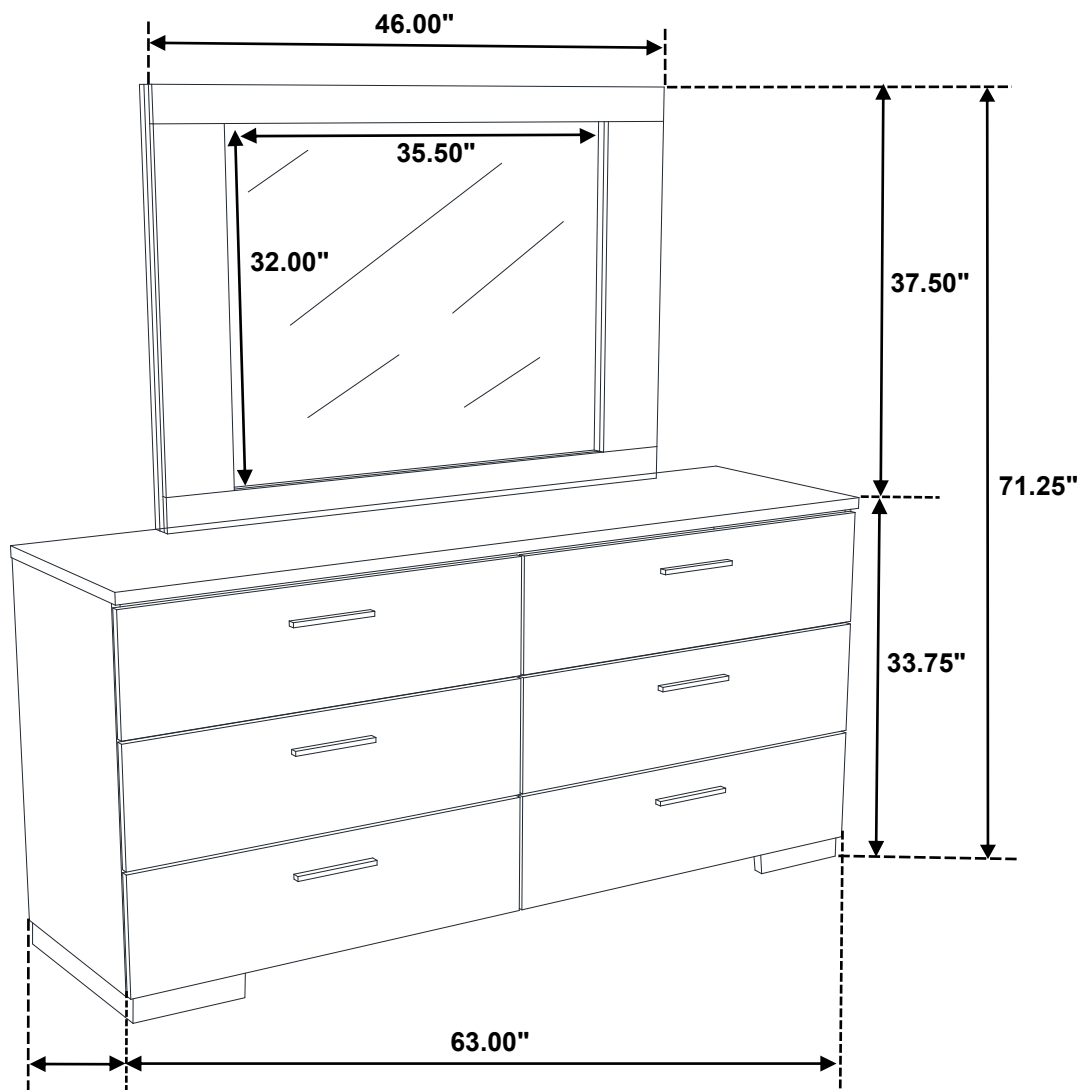
STEP 4

COMPLETE



PLEASE REMOVE THE PROTECTIVE FILM BEFORE USE





Note : Dimension tolerance $\pm 5\%$