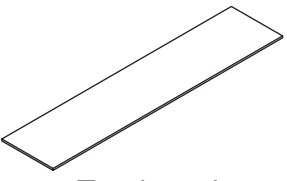
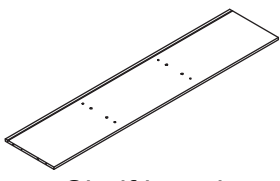
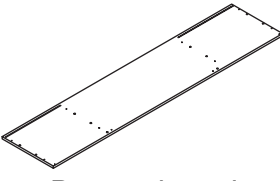
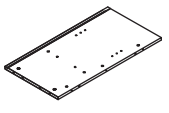
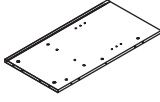
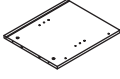
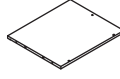
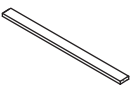

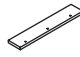
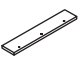
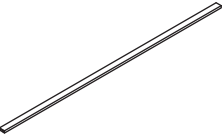
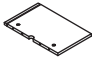
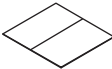
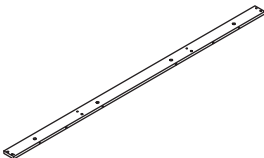
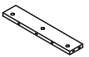
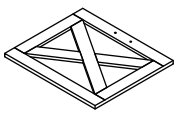
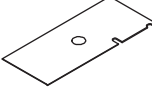
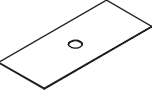

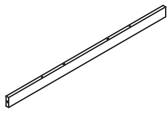
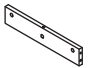

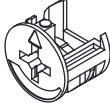
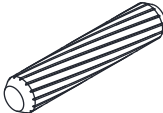
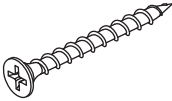

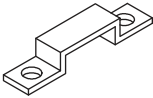
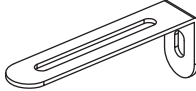
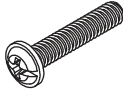


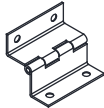
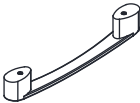
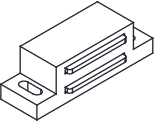
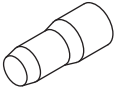
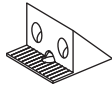





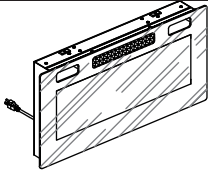
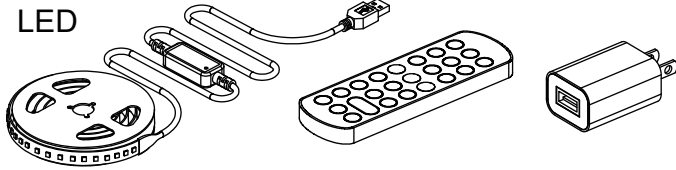


# Parts and Operation Elements

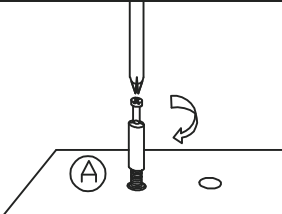
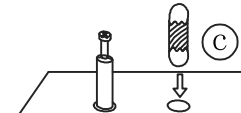
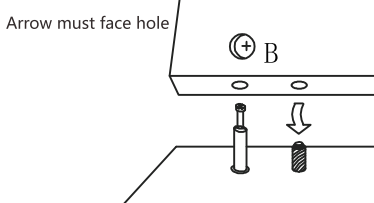
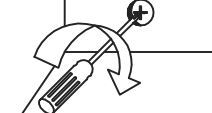
			
① Top board 1pc	② Shelf board 1pc	③ Bottom board 1pc	④ Left side board 1pc
			
⑤ Right side board 1pc	⑥ Left vertical Partition 1pc	⑦ Right vertical Partition 1pc	⑧ Left vertical bar 1pc
			
⑨ Right vertical bar 1pc	⑩ Left short vertical bar 1pc	⑪ Right short vertical bar 1pc	⑫ Top support bar 1pc
			
⑬ Upper vertical board 2pcs	⑭ Lower back board 2pcs	⑮ Long baseboard 2pcs	⑯ Short baseboard 2pcs
			
⑰ Left door board 2pcs	⑱ Side back board 2pcs	⑲ Middle back board 1pc	⑳ Shelf board 2pcs
			
㉑ Support horizontal bar 1pc	㉒ Short baseboard 2pcs		

# Hardware

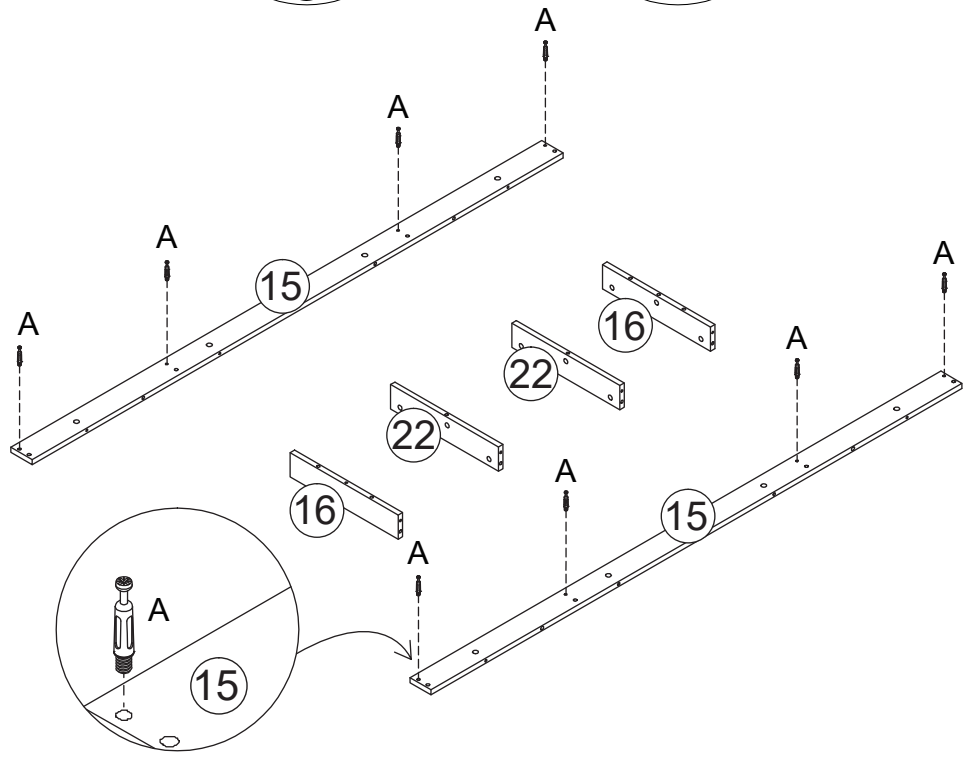
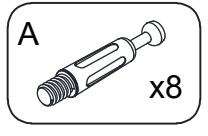
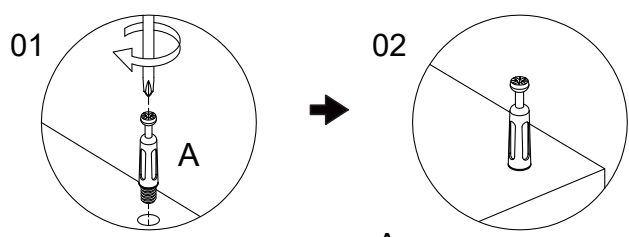
			
A 47+2pcs	B 47+2pcs	C 66+2pcs	D 20+2pcs
			
E 38+2pcs	F 8+2pcs	G 2pcs	H 4pcs
			
J 2pcs	K 2pcs	L 4pcs	M 2pcs
			
N 2pcs	O 8+2pcs	P 20+2pcs	Q 20+2pcs
			
R 12+2pcs	S 51+2pcs	T 2pcs	U 6pcs
			
V 1pc	W 1pc		



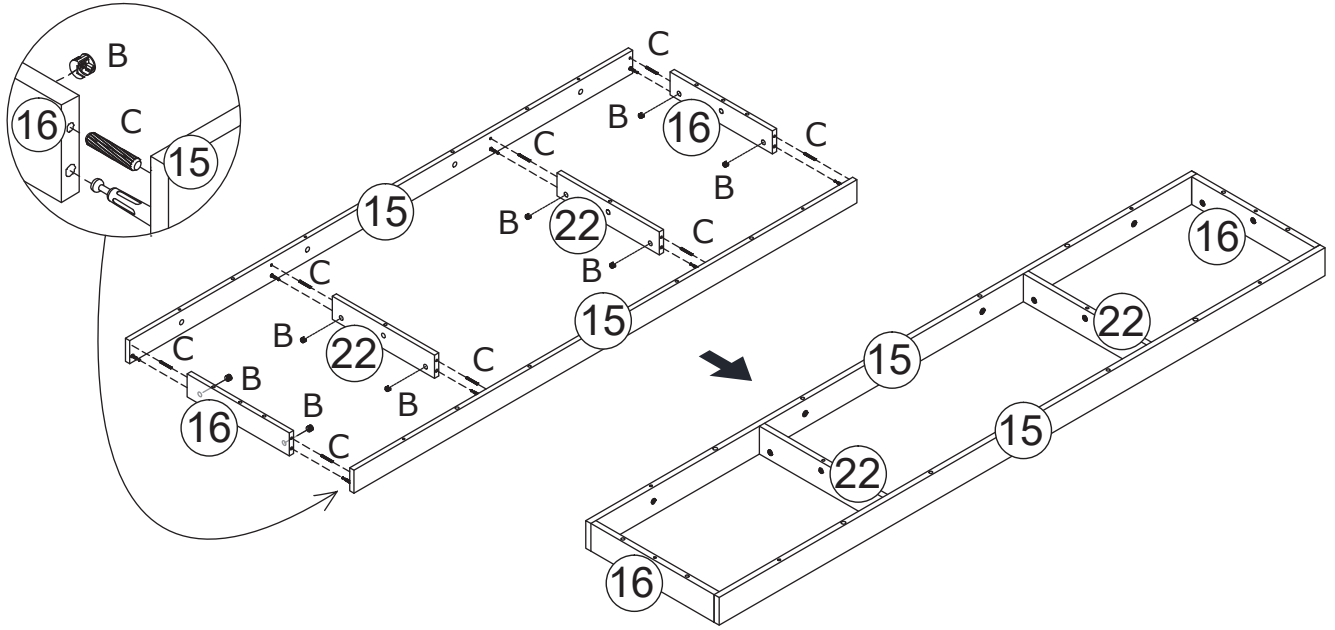
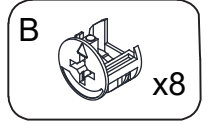
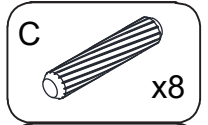
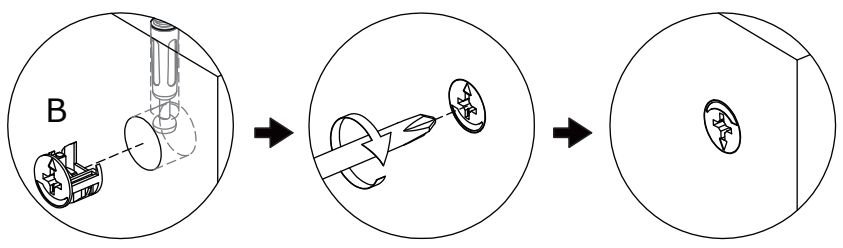
Tips: the number after "+" represents the spare hardware.

			
Gently screw cam bolt into the threaded anchor.	Insert the wood dowel halfway into hole.		Screw the camlock firmly into locked position.

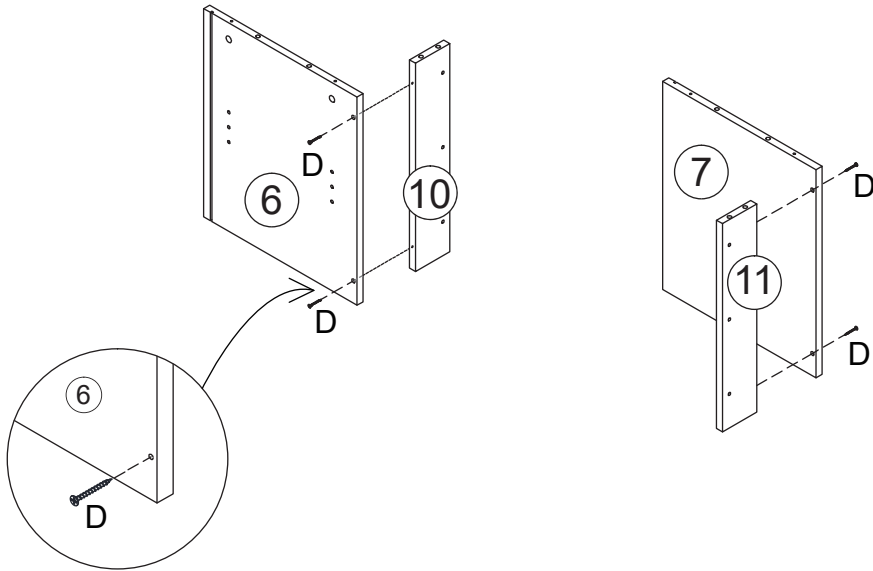
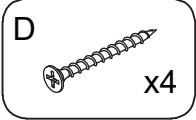
1



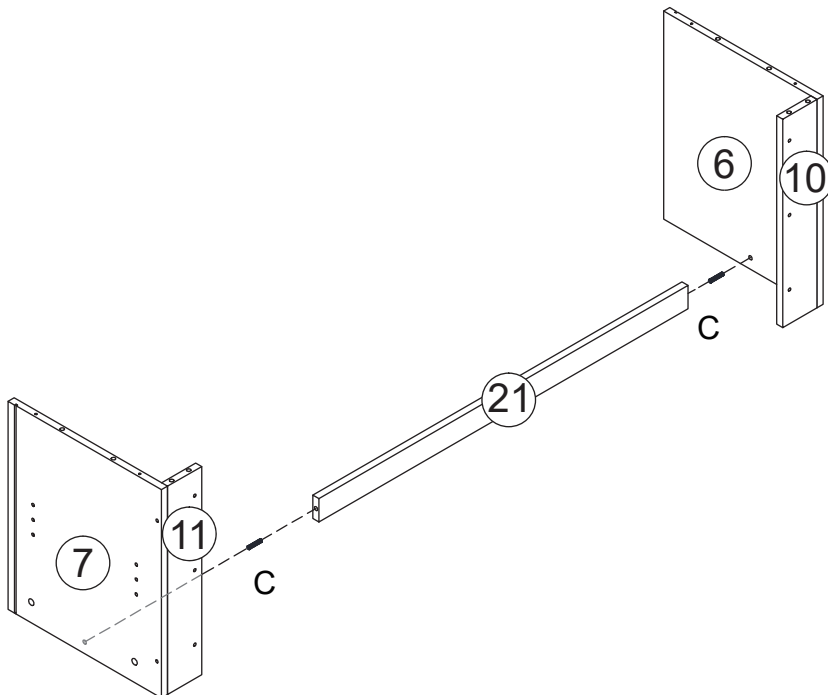
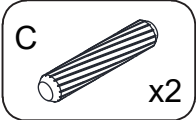
2



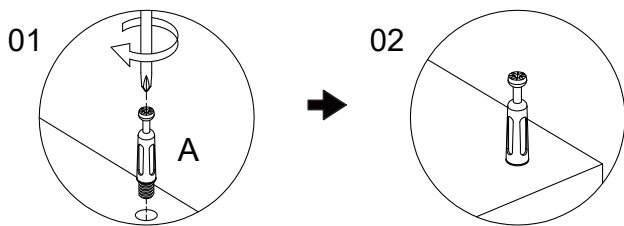
3

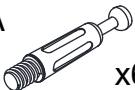

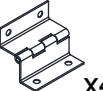


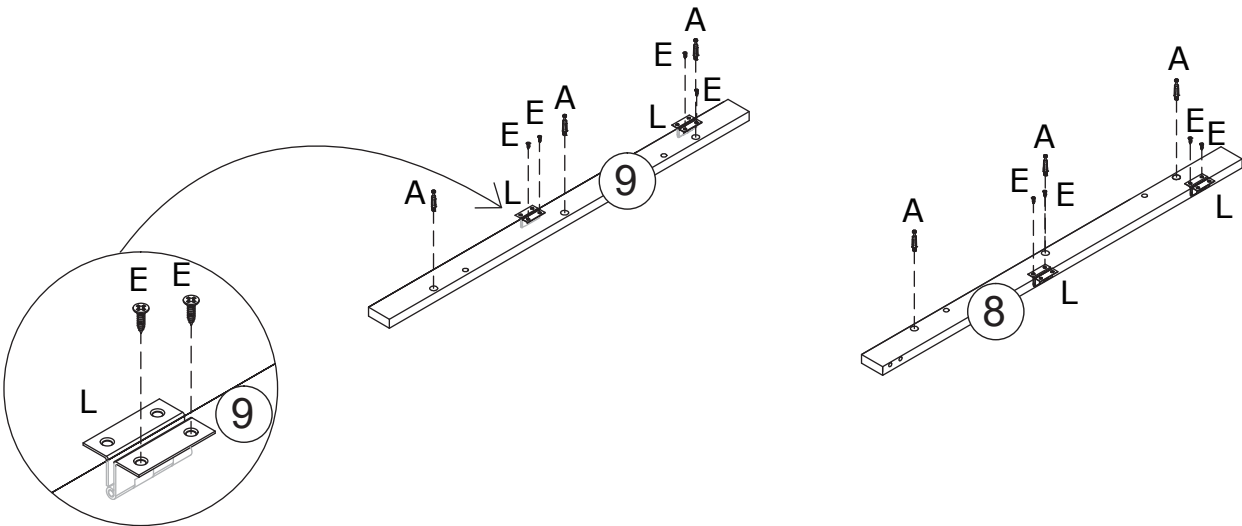
4



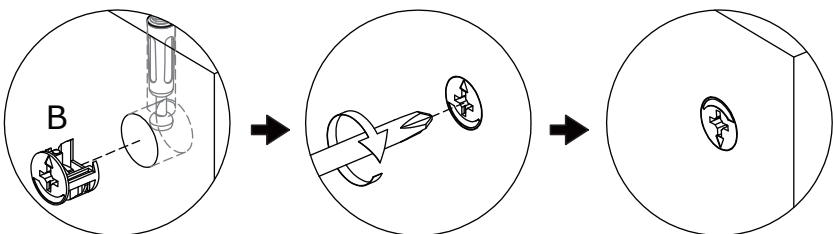
5





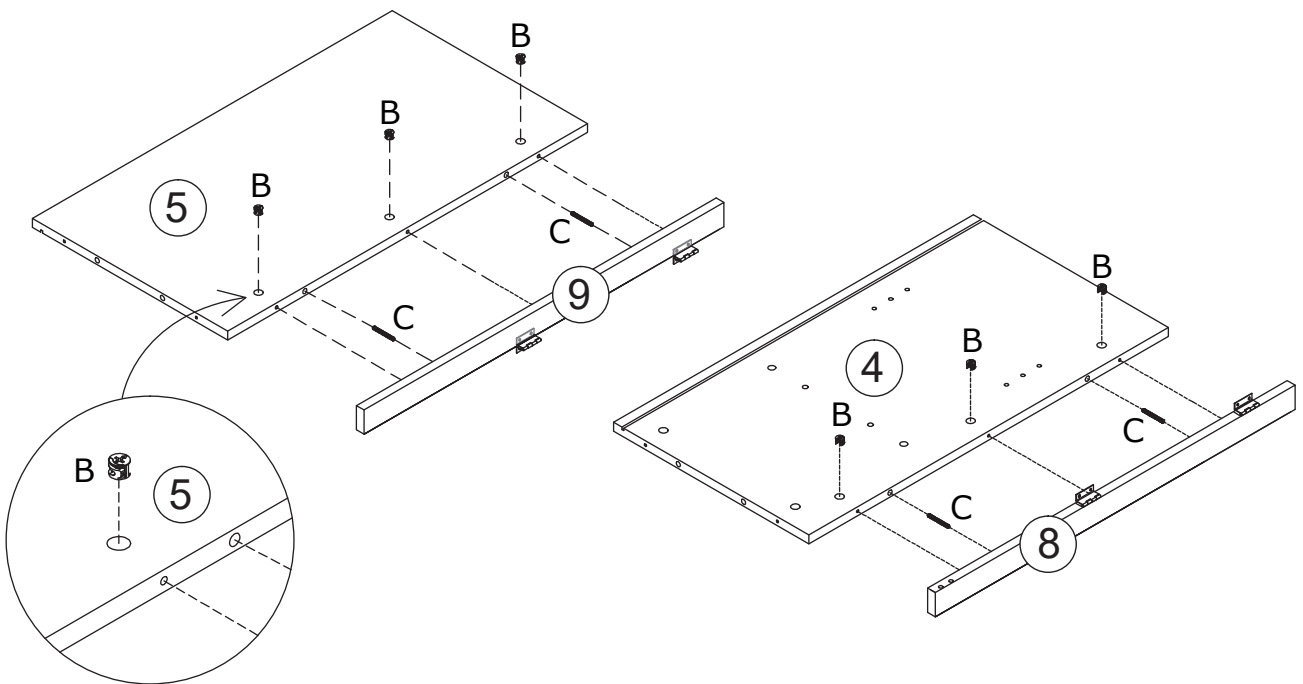
- A  x6
- E  x8
- L  x4



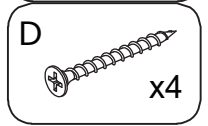
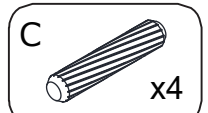
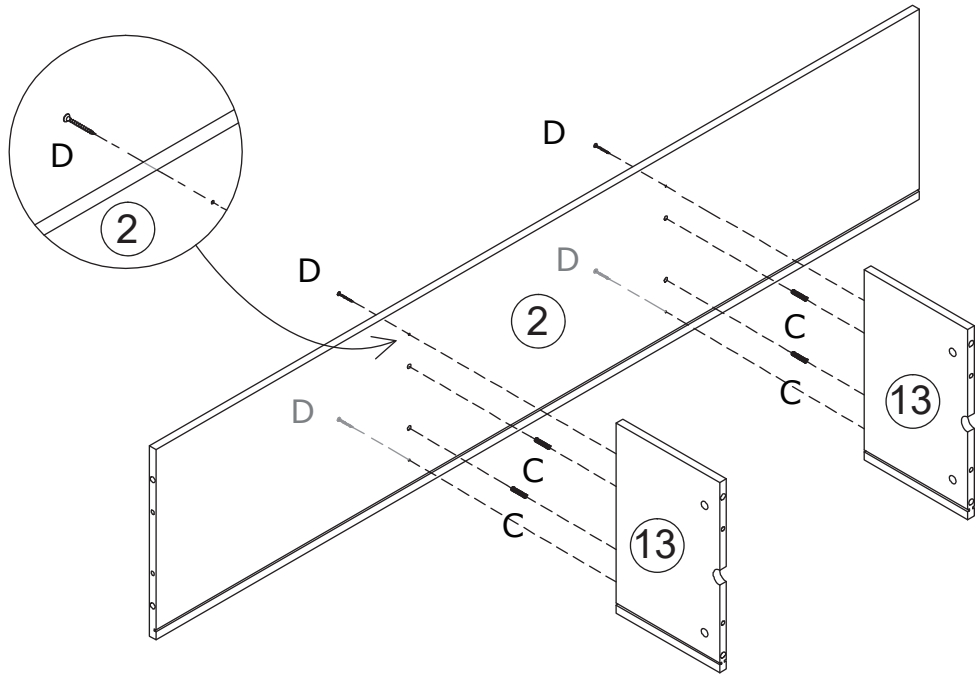
6



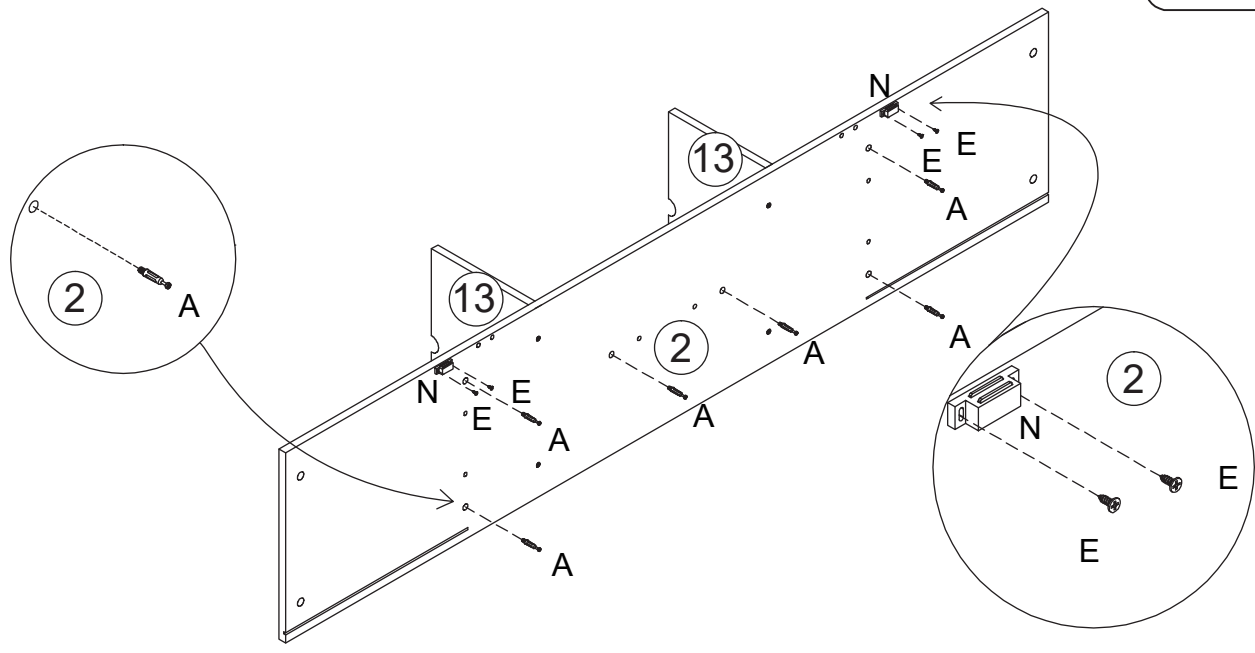
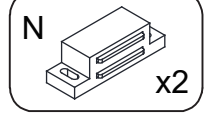
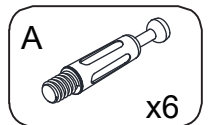
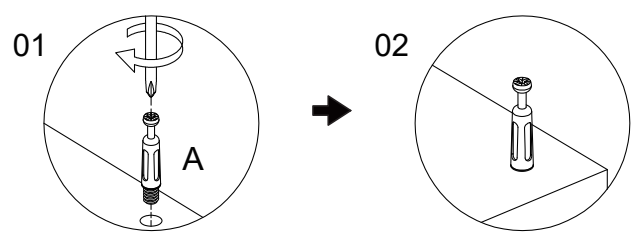
- C  x4
- B  x6



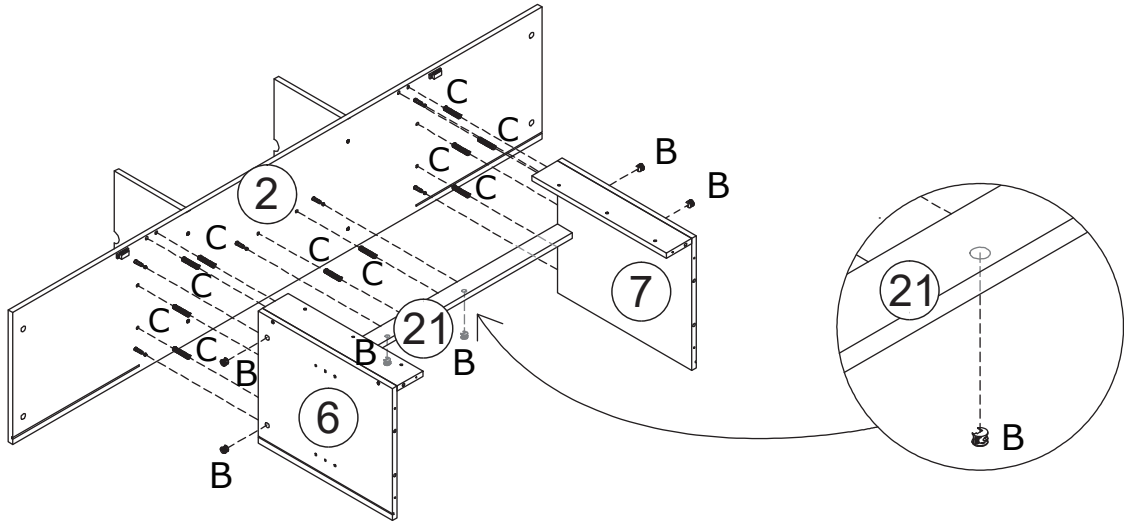
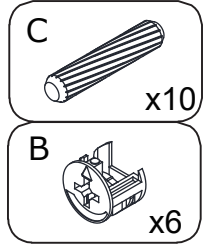
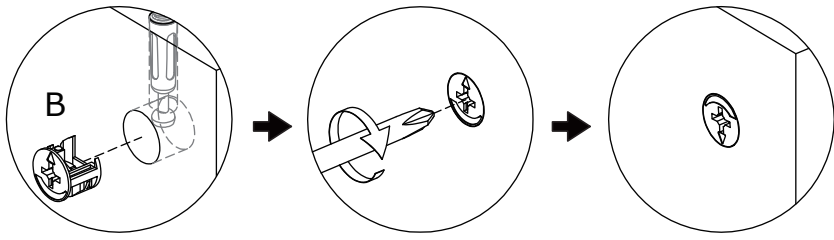
7



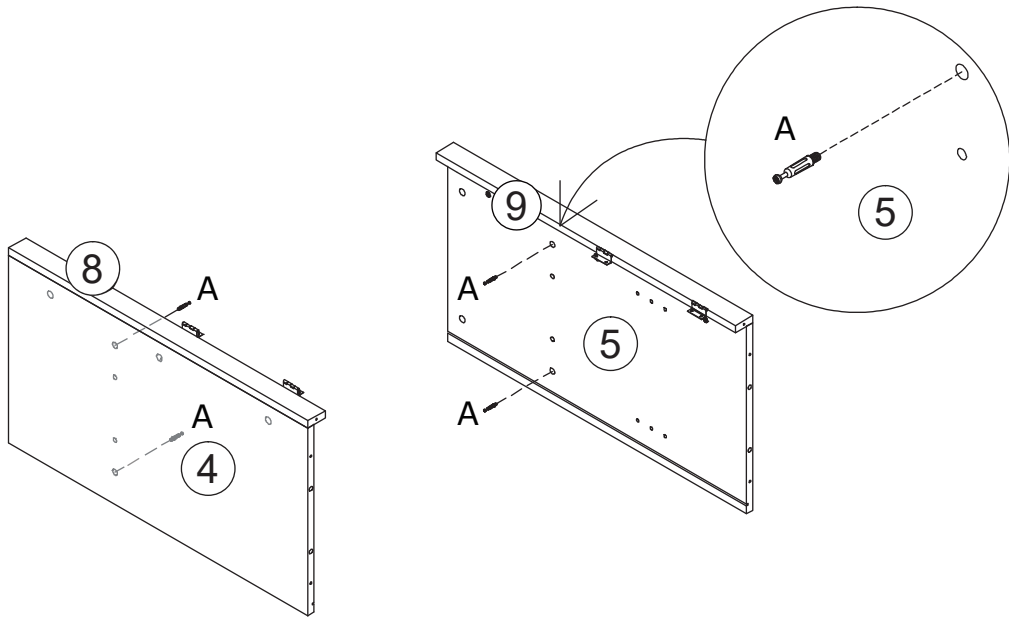
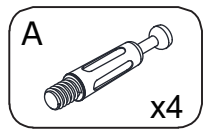
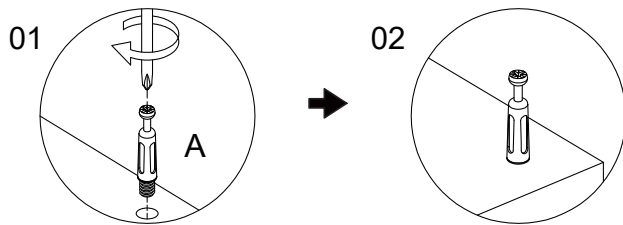
8



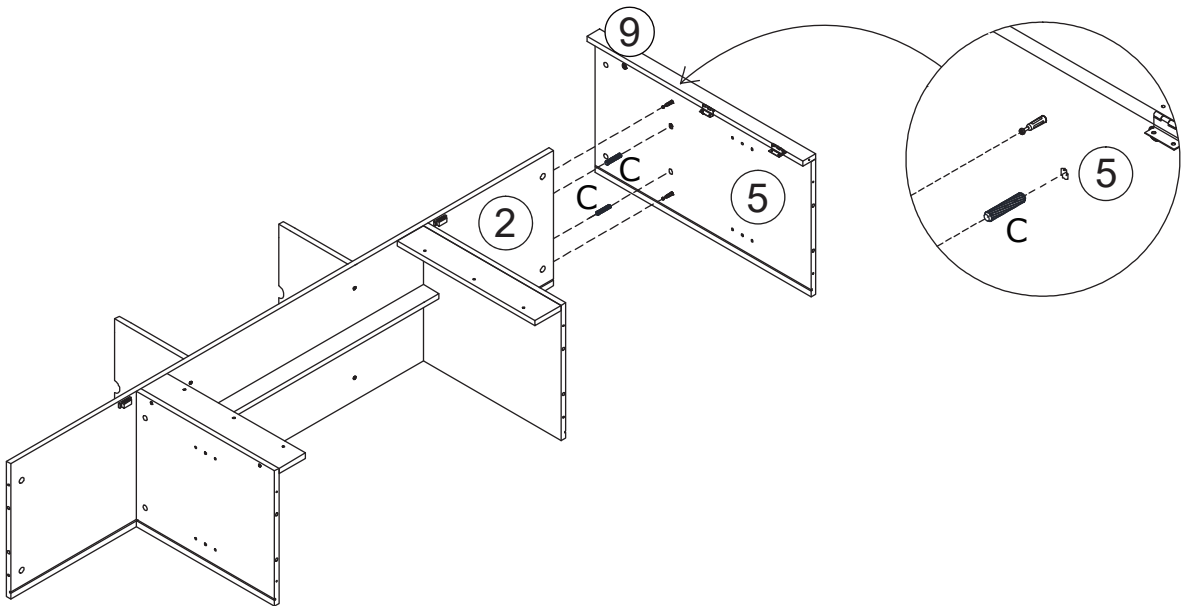
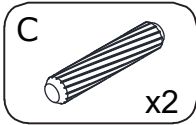
9



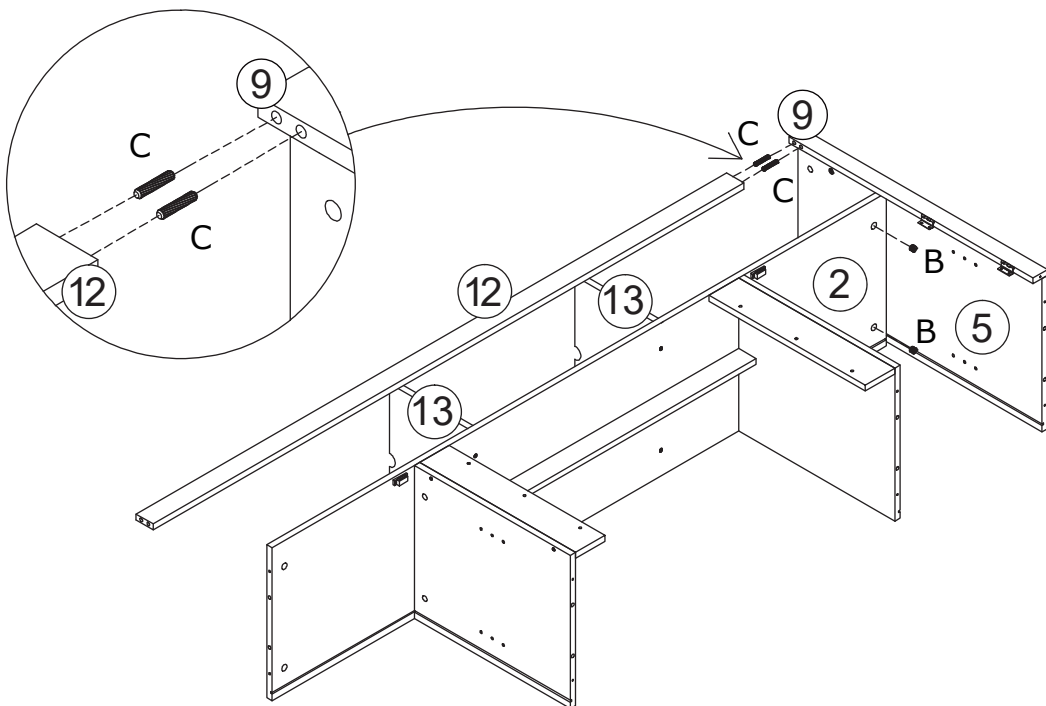
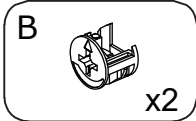
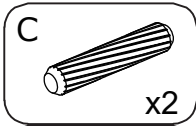
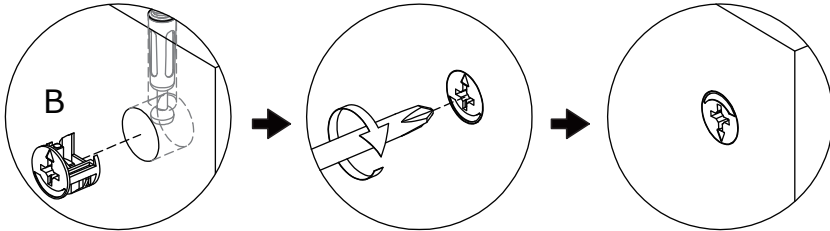
10



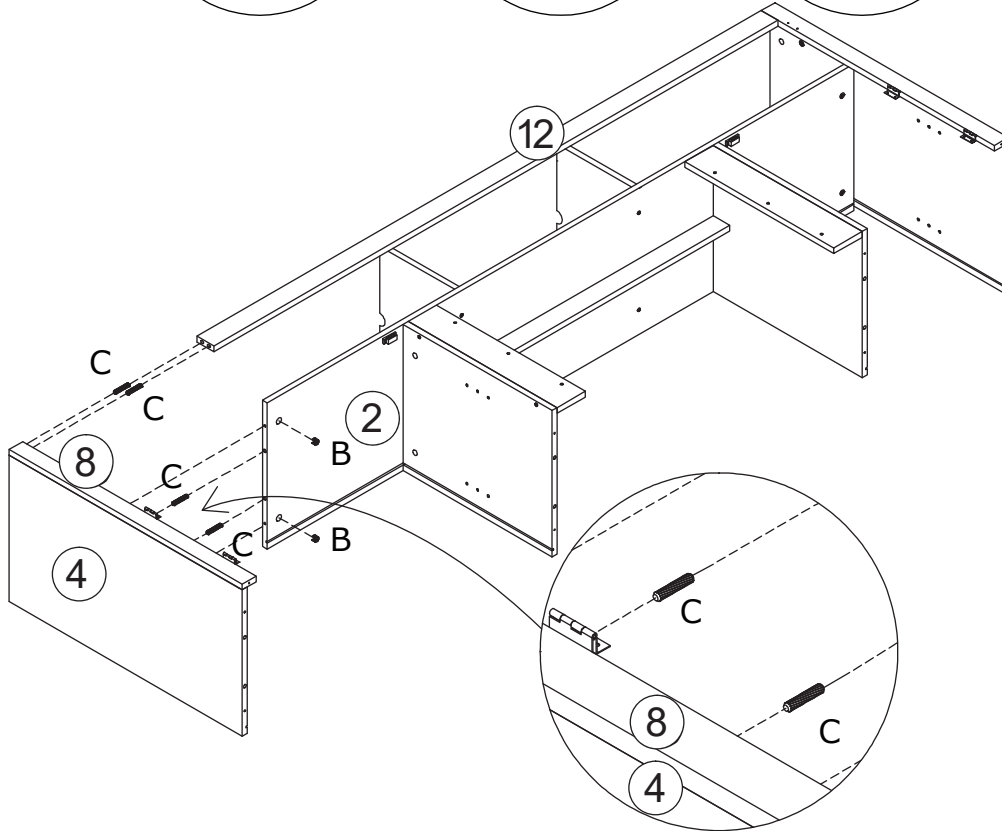
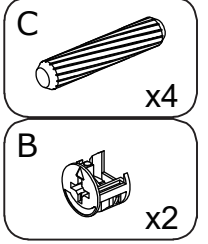
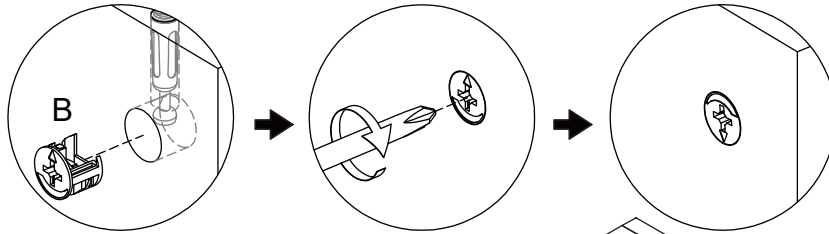
11



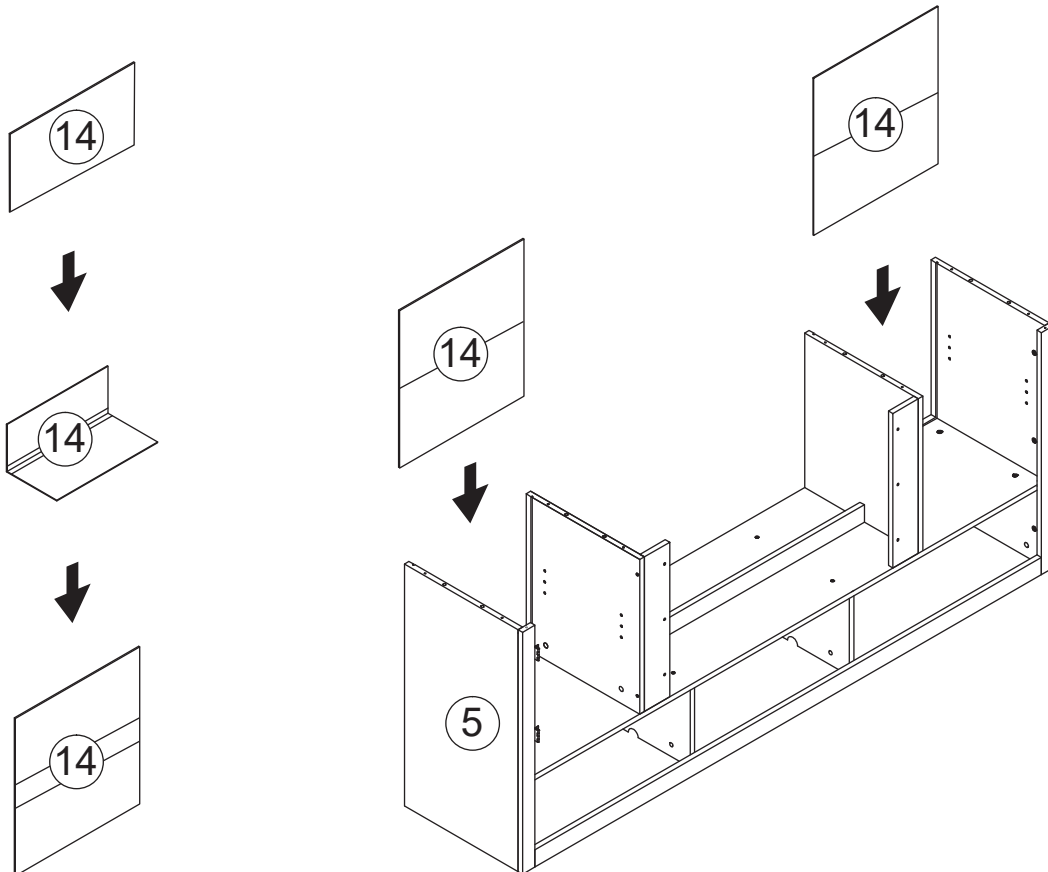
12



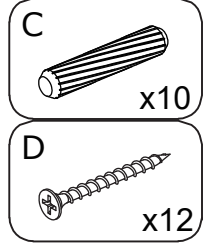
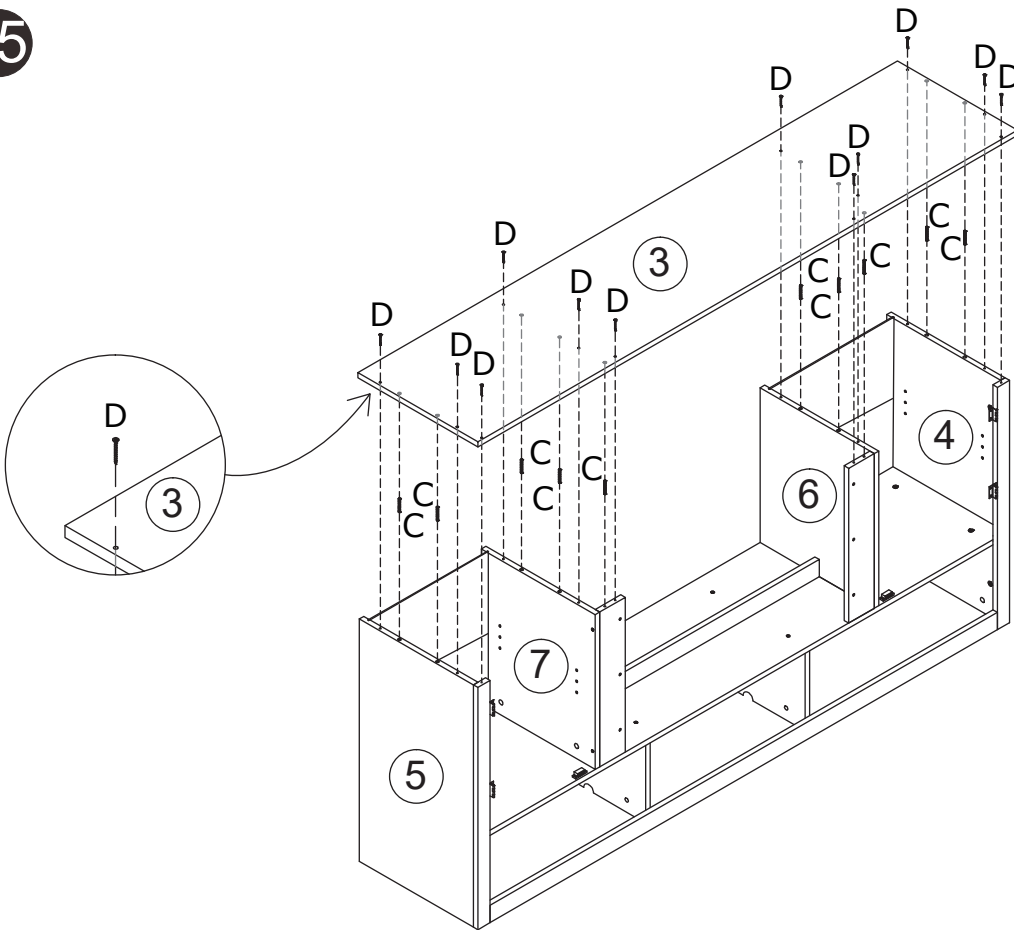
13



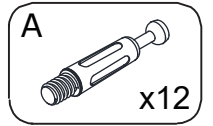
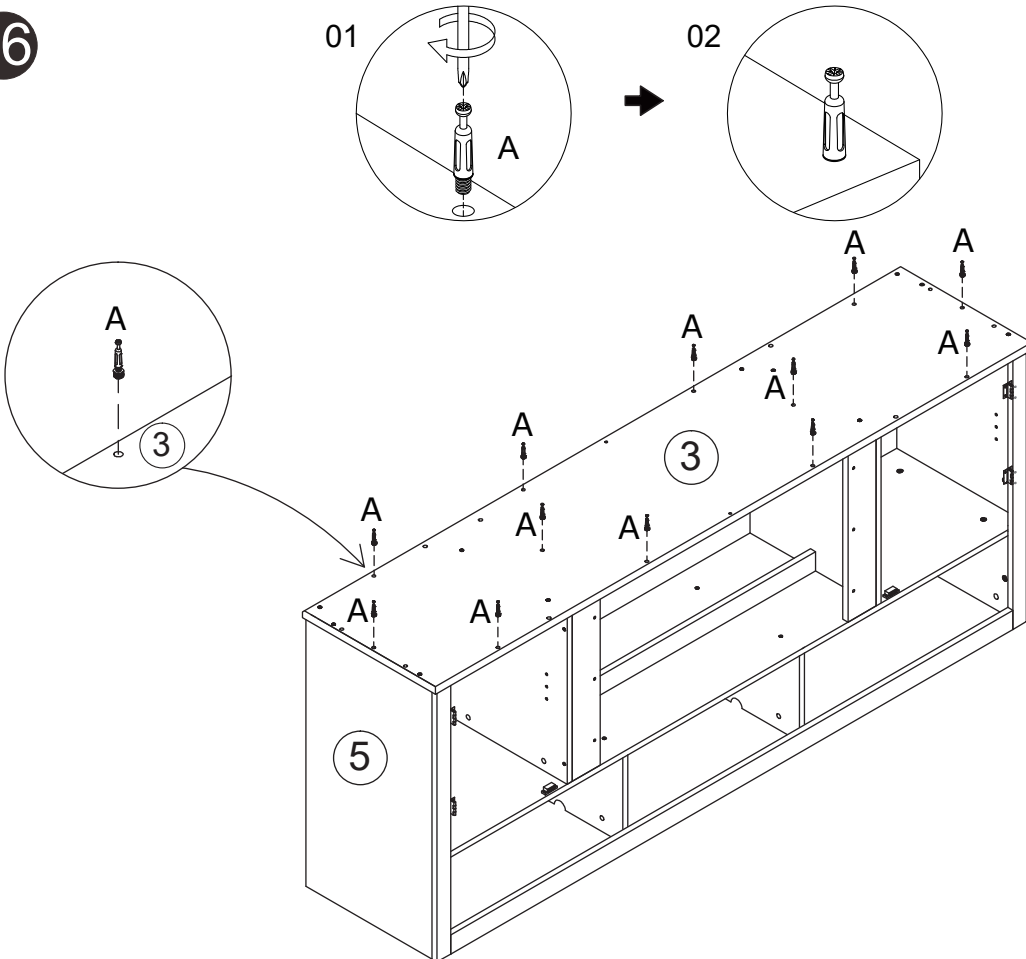
14



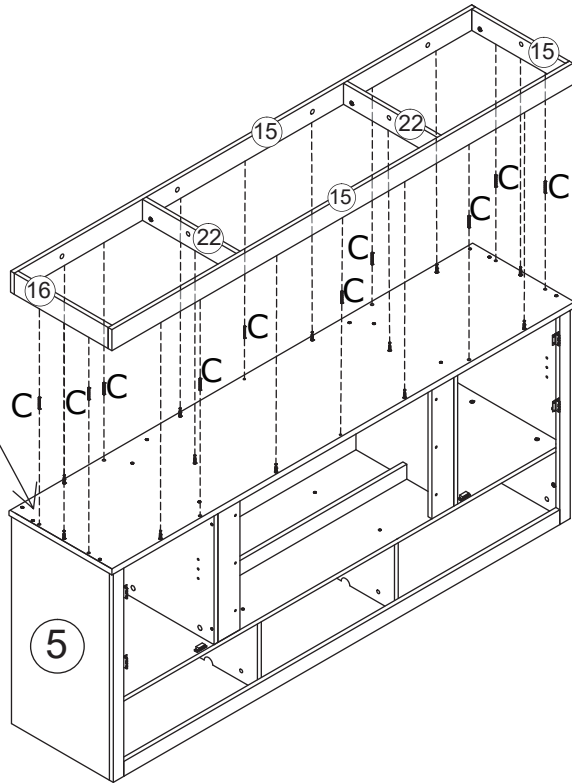
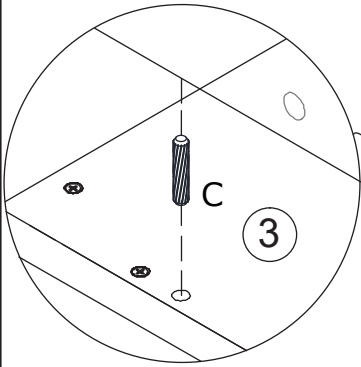
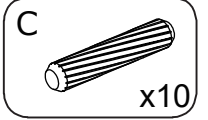
15



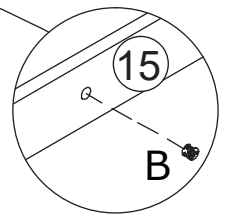
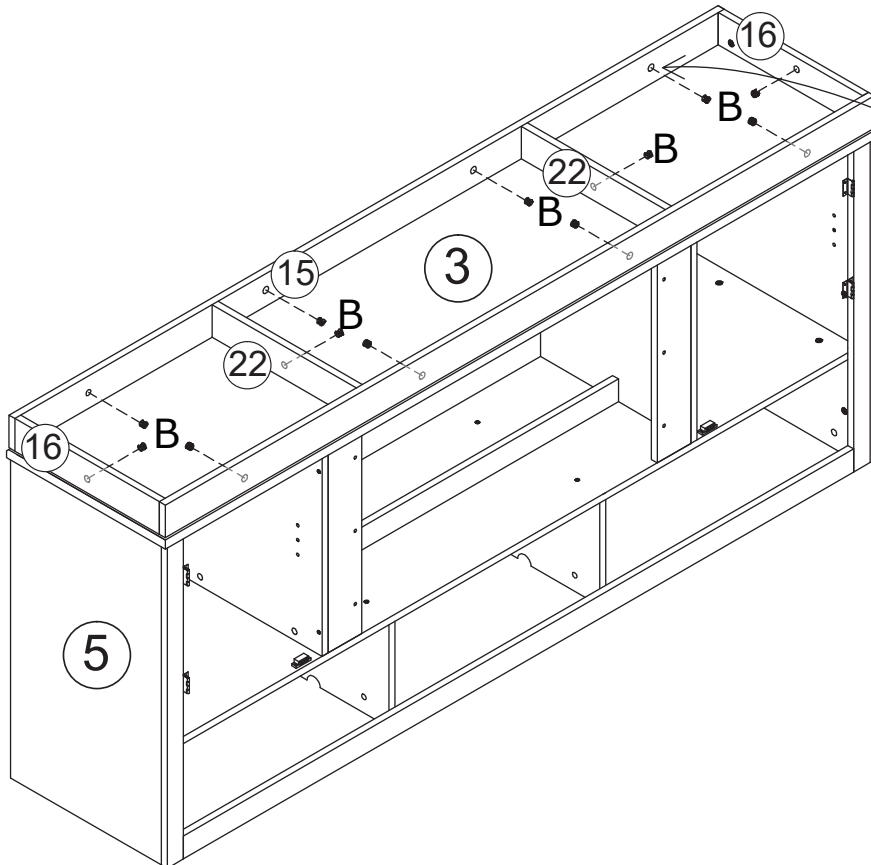
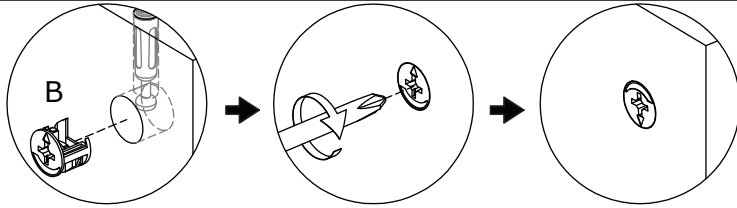
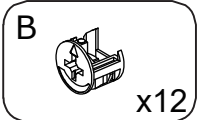
16



17

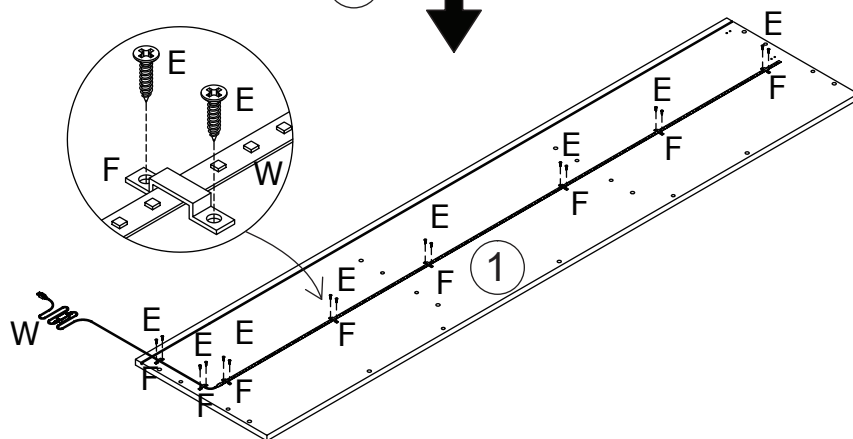
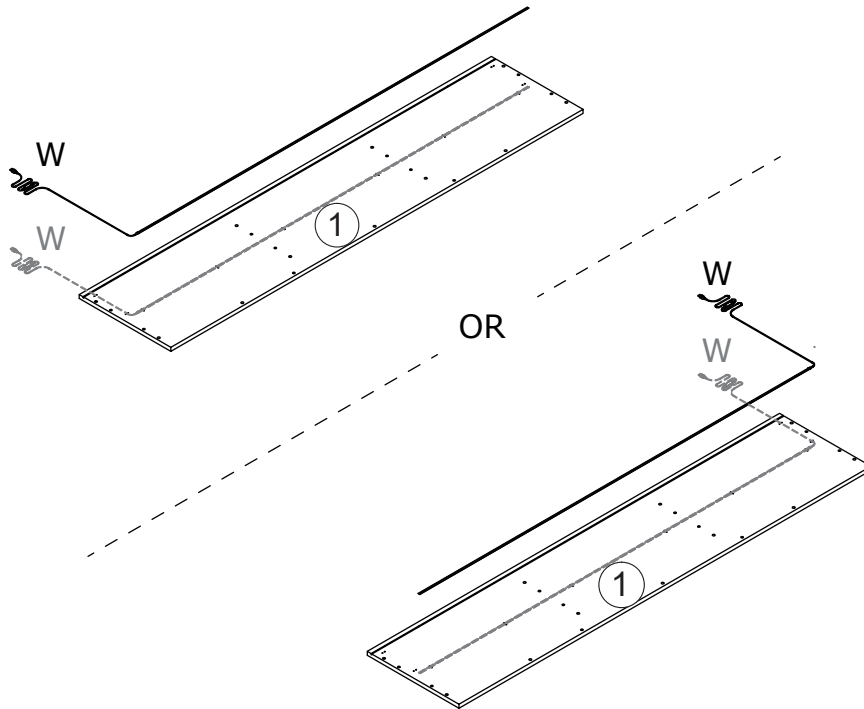
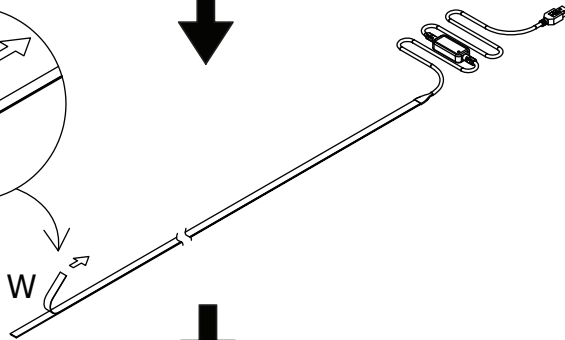
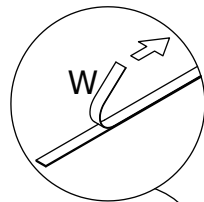
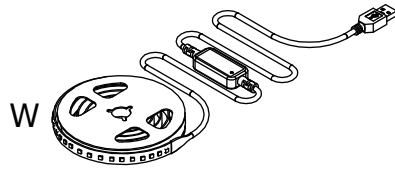



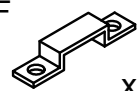

18





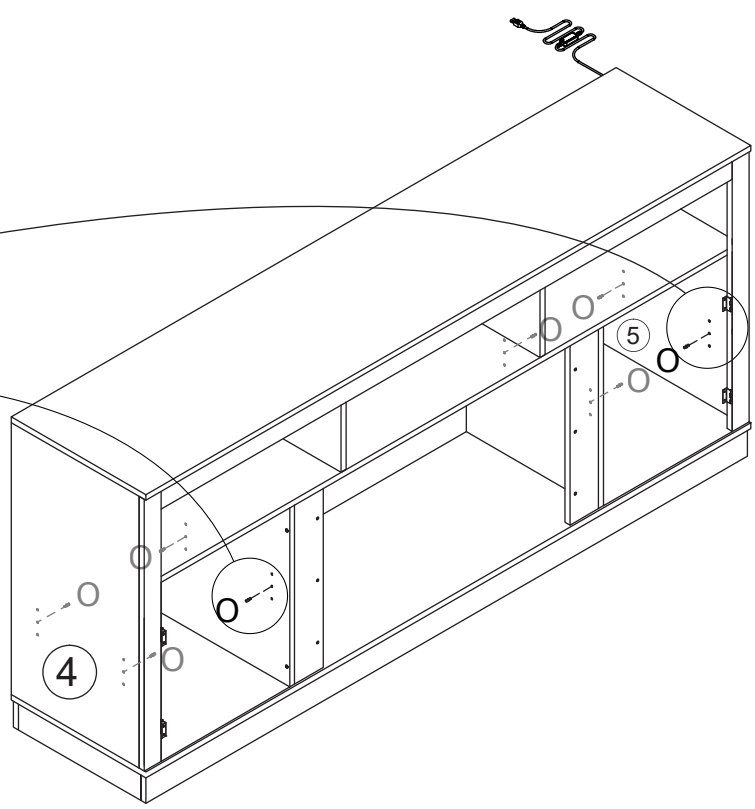
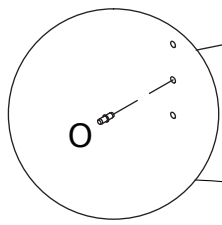
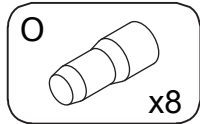
21



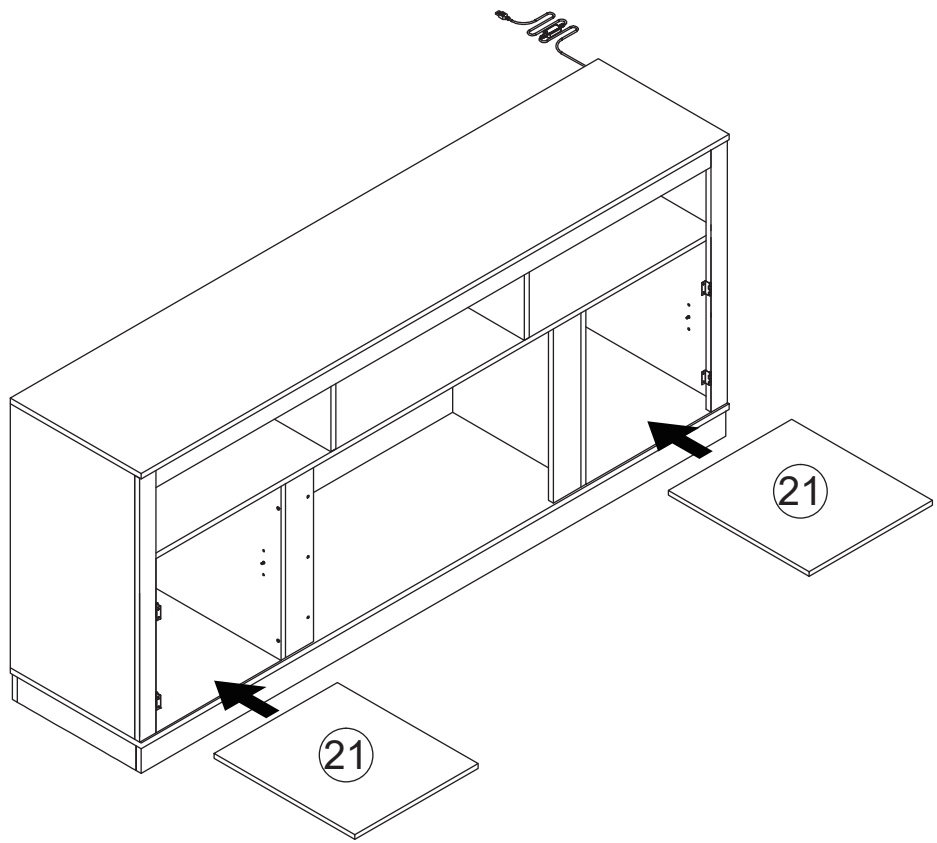
- E  x16
- F  x8
- W  x1



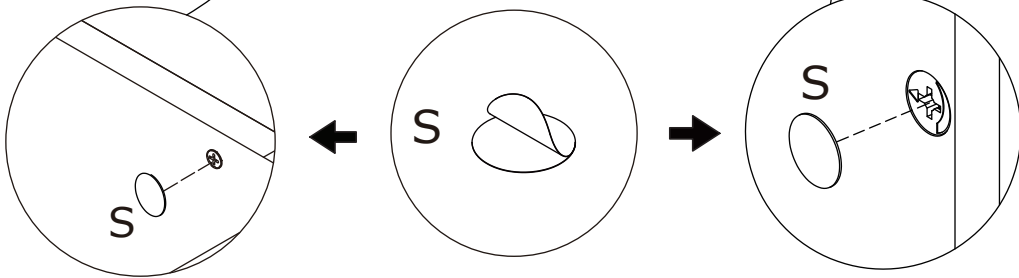
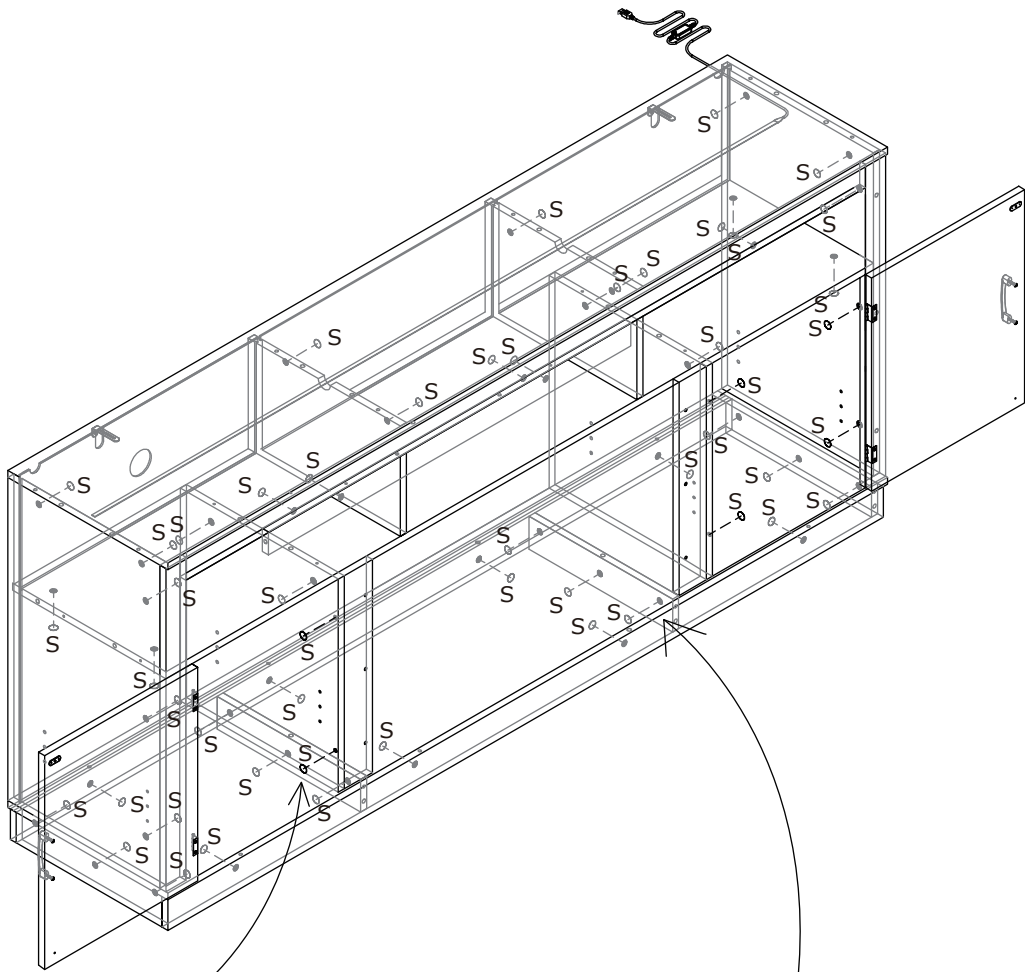
24



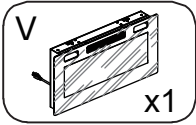
25



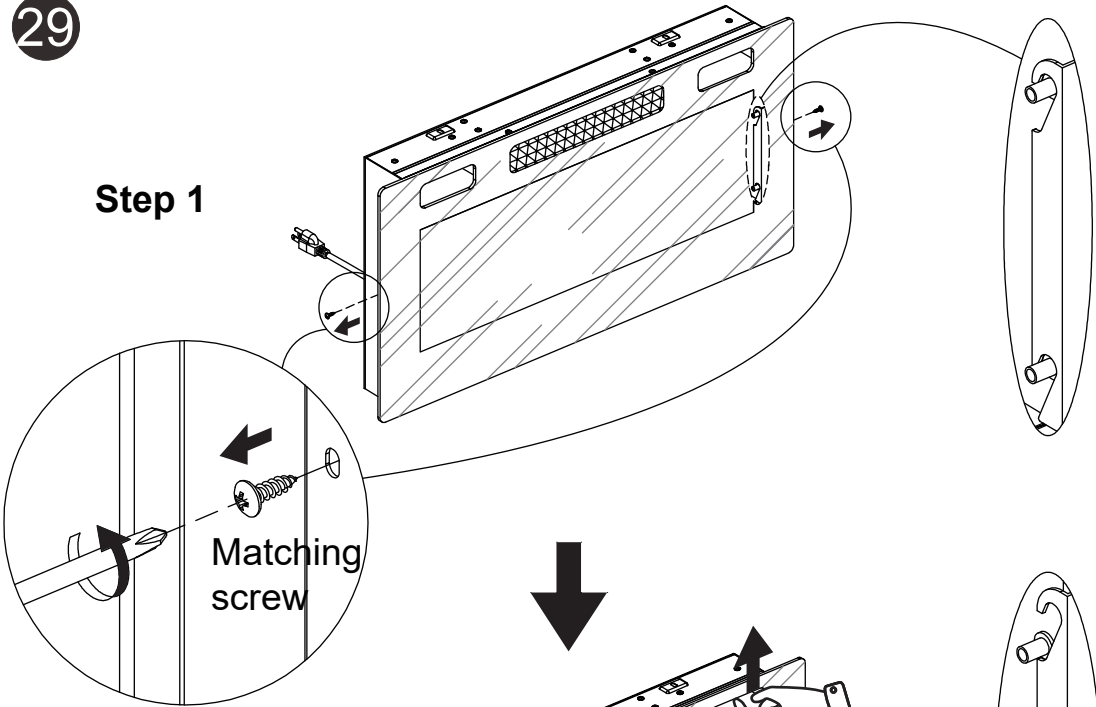




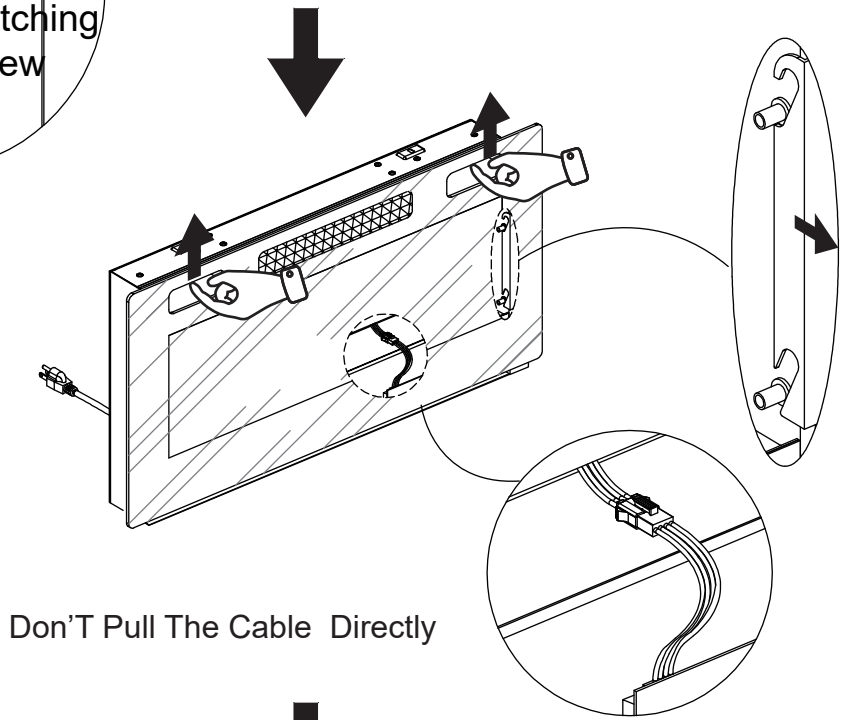
29



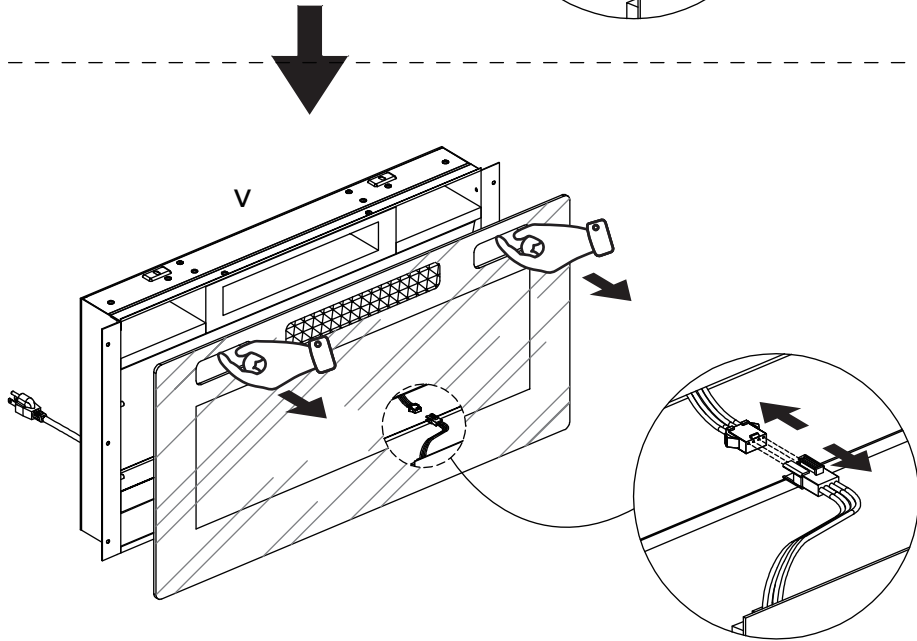
Step 1



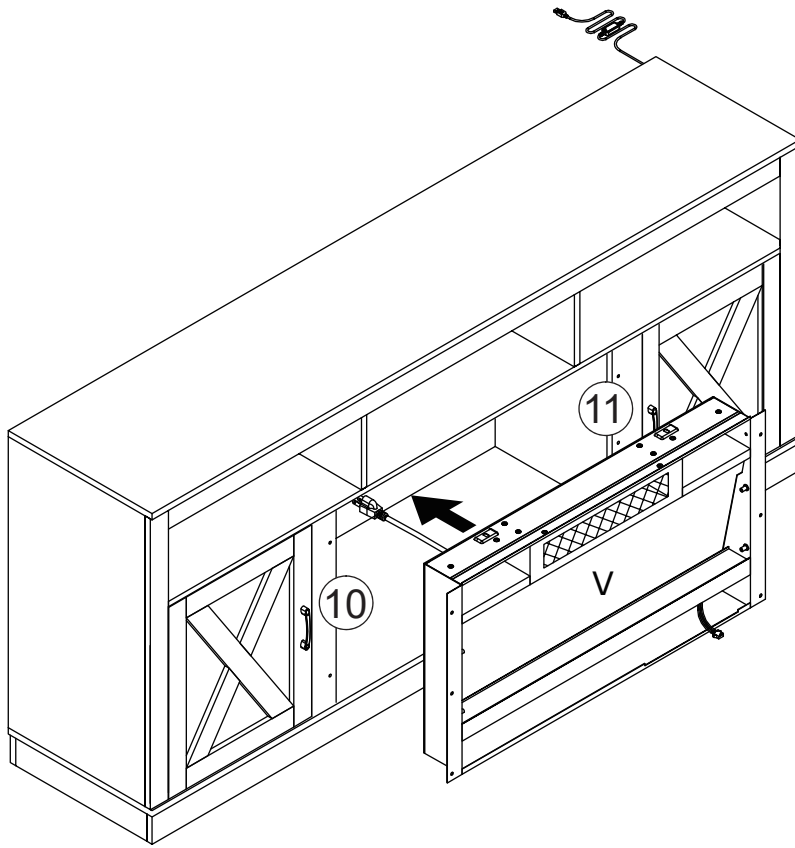
Step 2



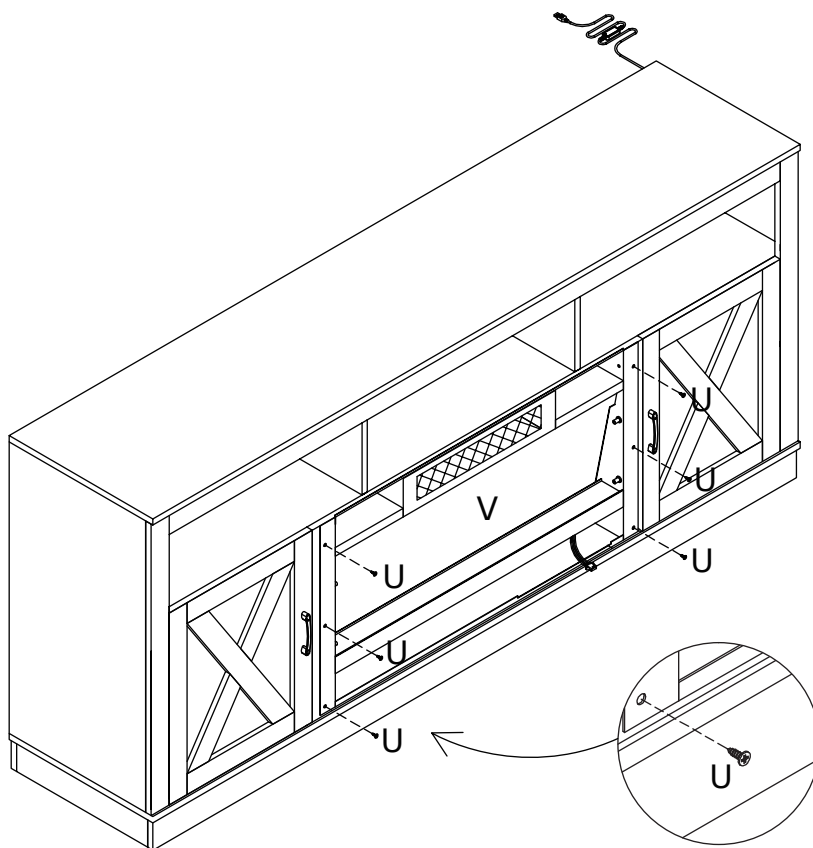
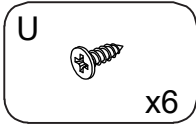
Step 3



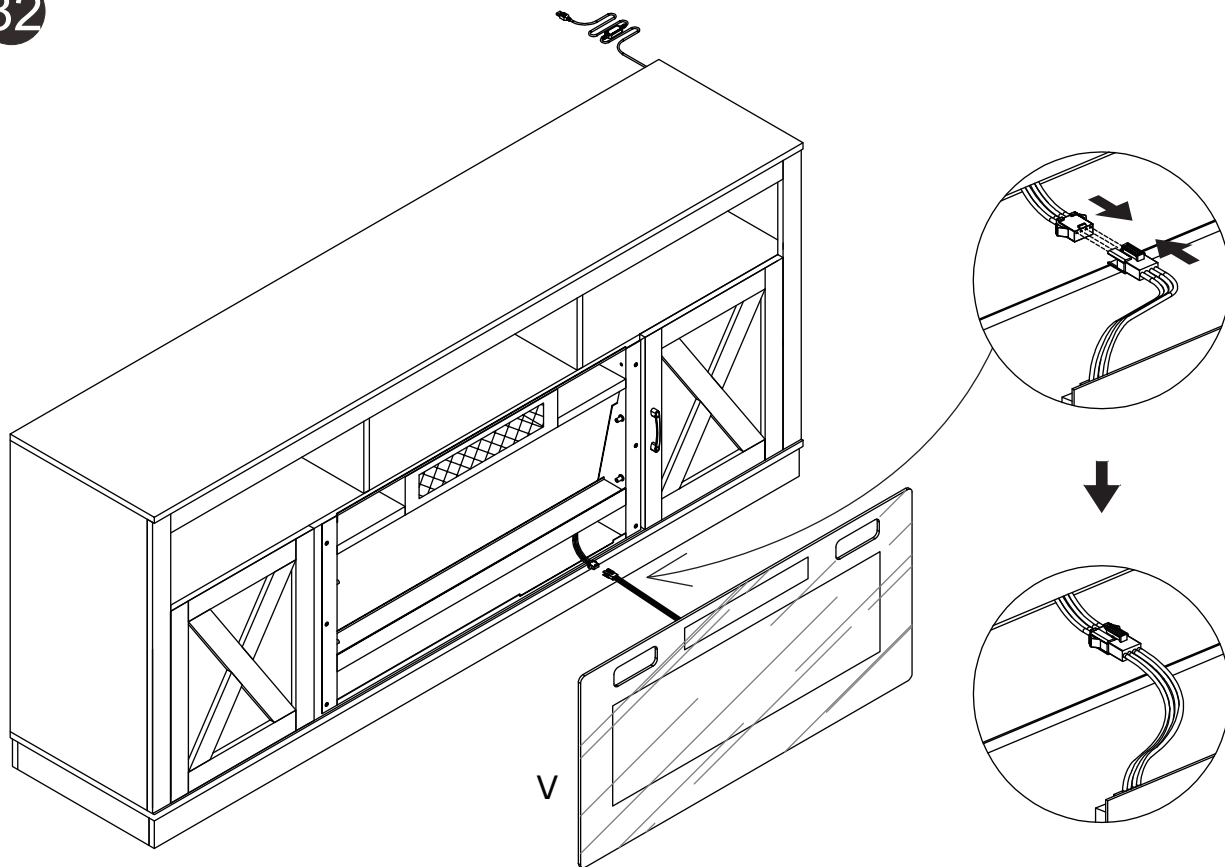
30



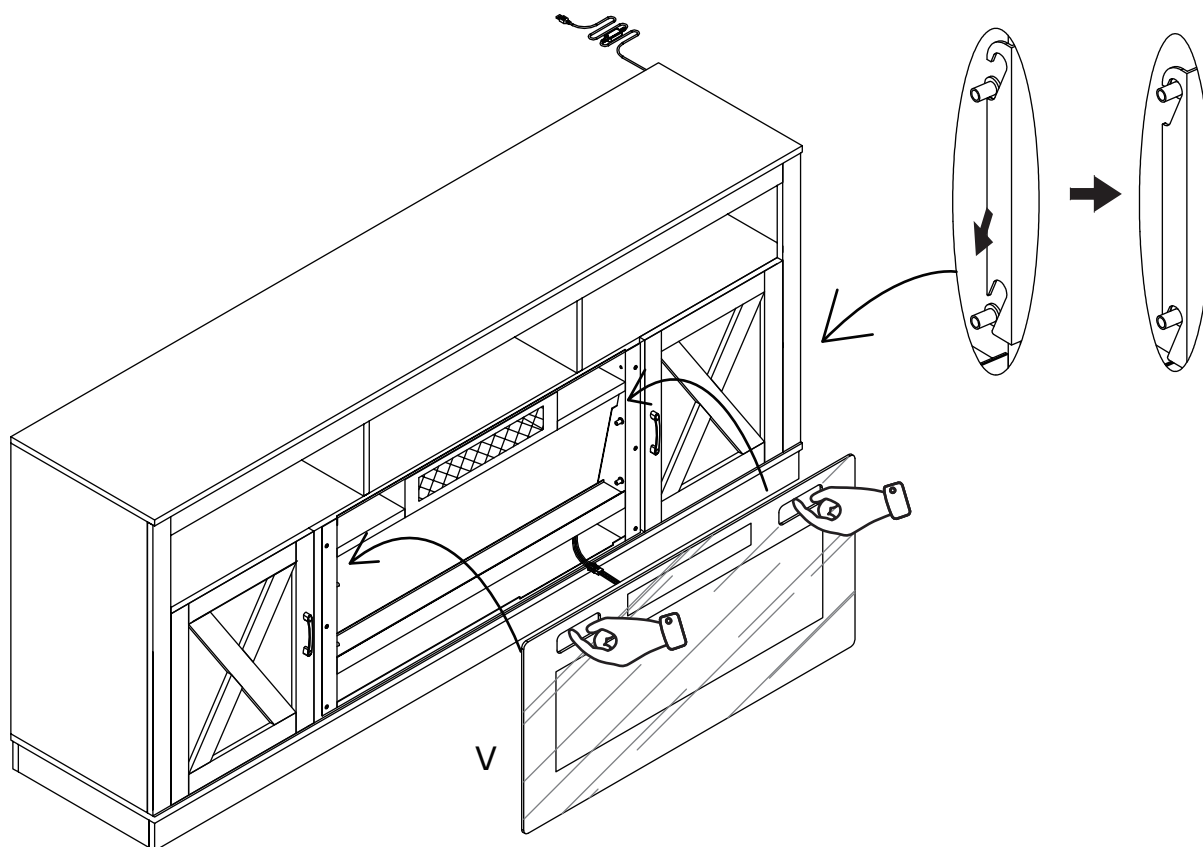
31



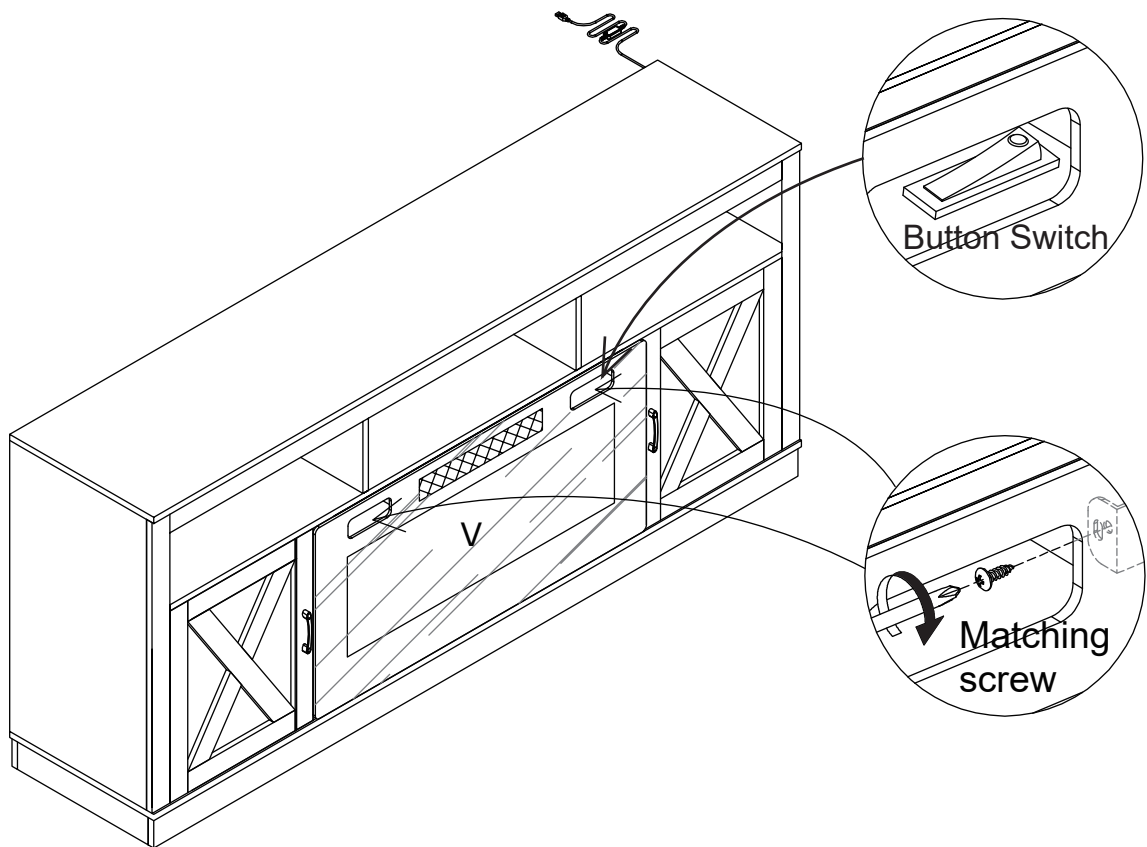
32



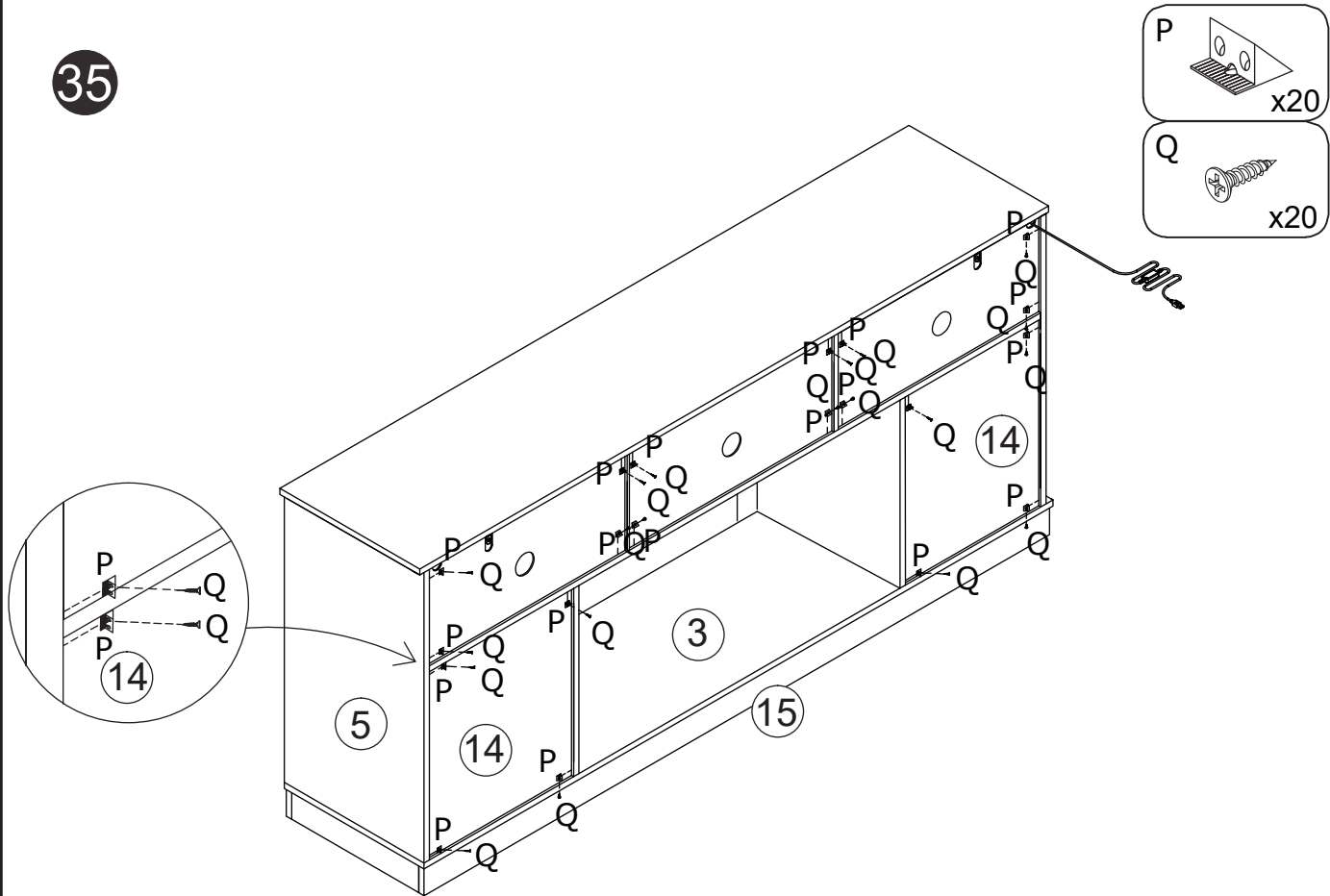
33



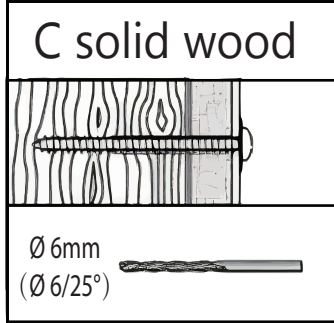
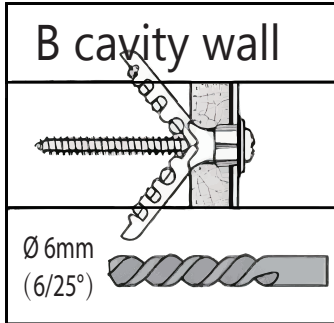
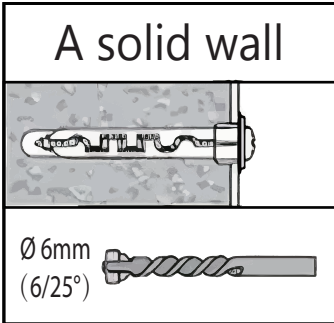
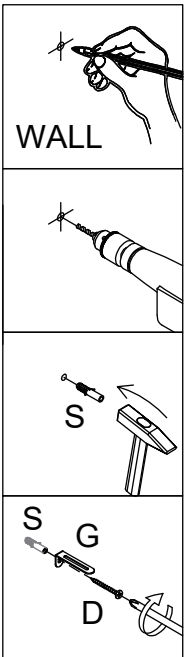
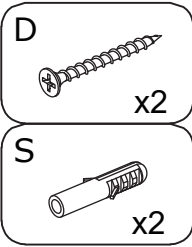
34



35

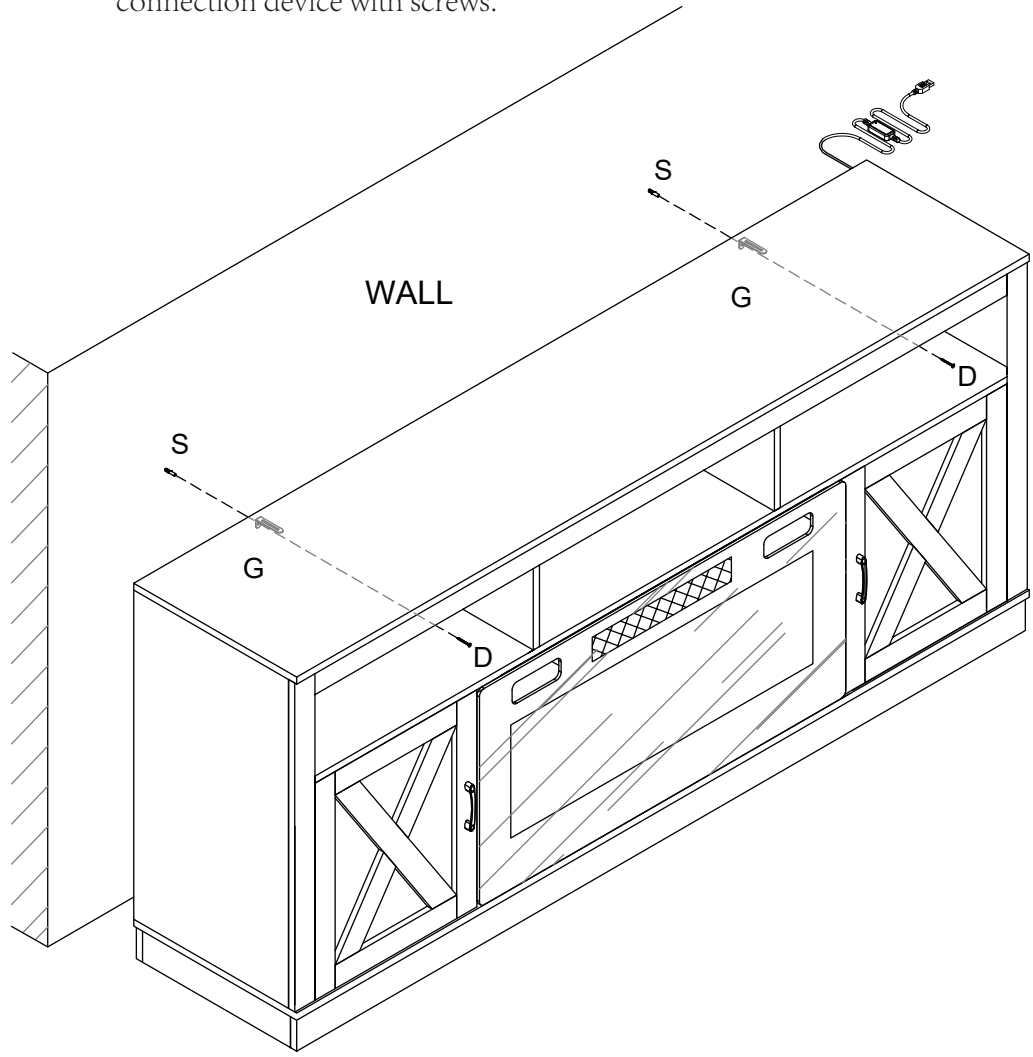


36



**Warning:** If you overturn the furniture, it may cause serious or fatal crushing injuries. We have a wall connection device attached, please use it to hold the furniture following these instructions.

1. Mark the corresponding hole positions where you want to place the furniture;
2. Use a impact drill to drill holes and pay attention to avoid wires and water pipes;
3. Knock the expansion pipes into the wall holes;
4. Place the furniture in the corresponding position and tighten the wall connection device with screws.



37

Connect the cable to the light strip.  
Turn on/off the light strip by mobile APP or remote control.

