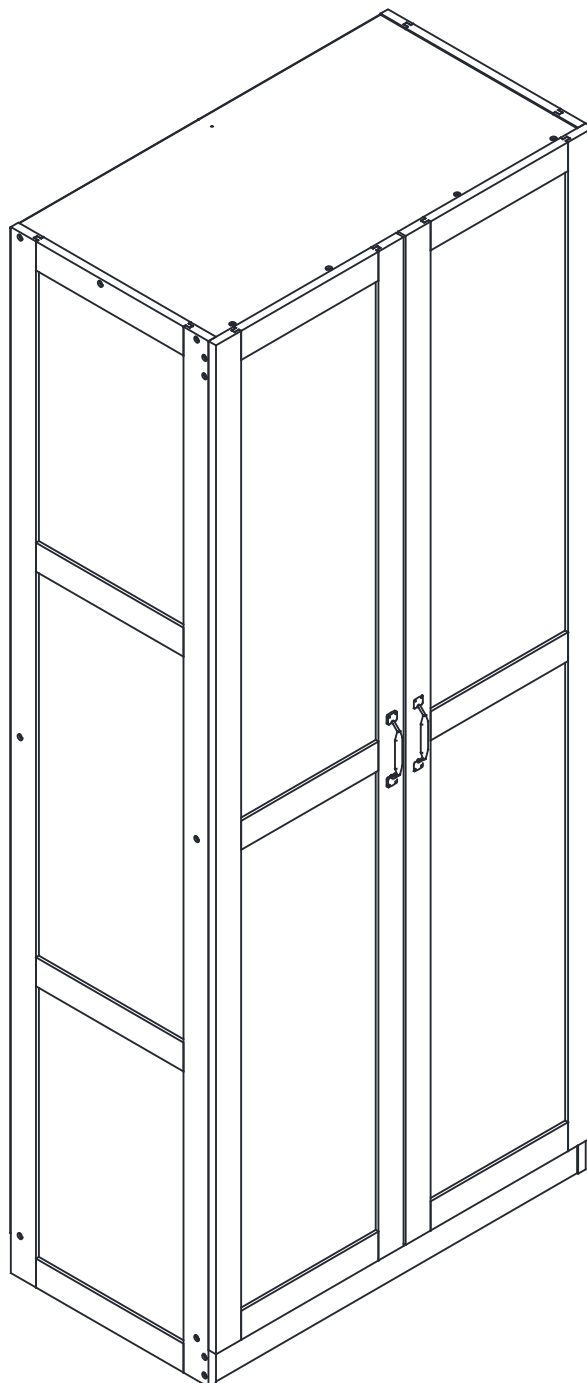




MANHATTAN
COMFORT

Assembly Guide WC-3GLF



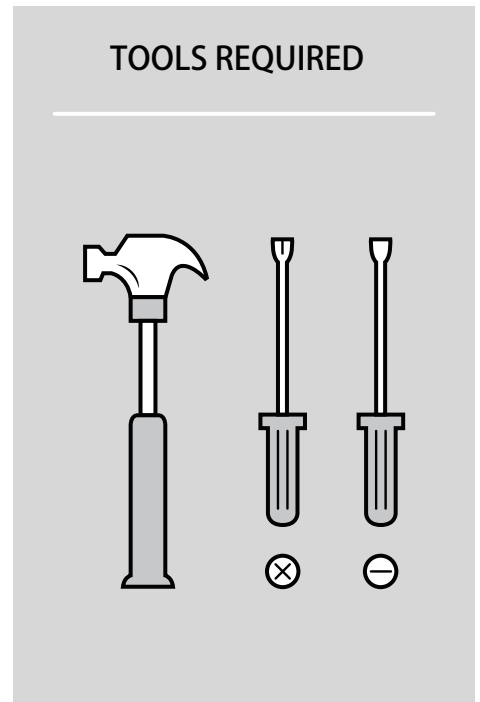
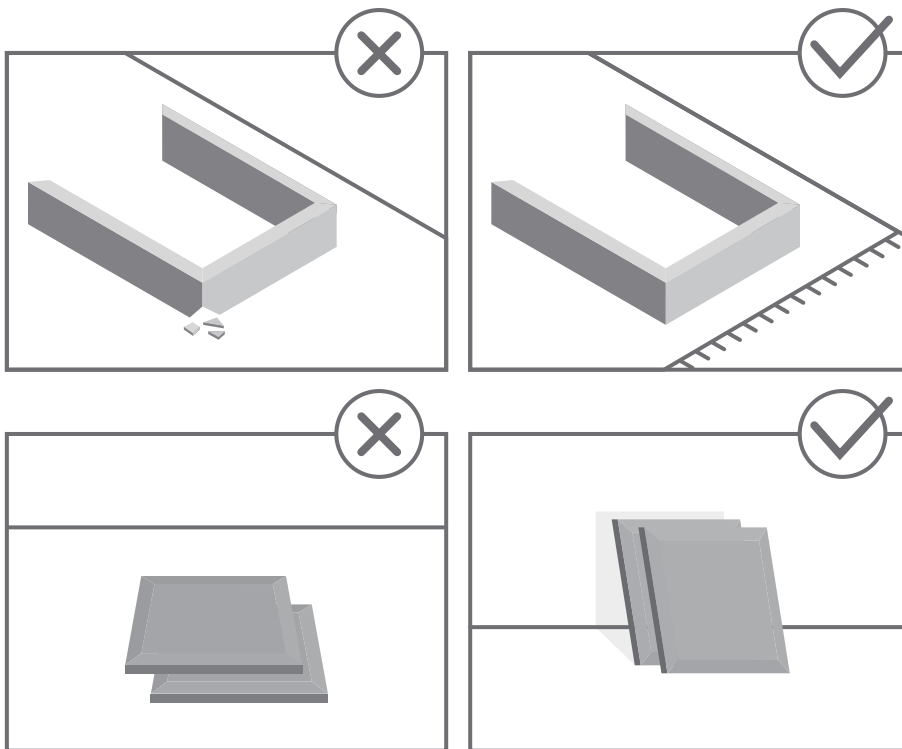


STOP!

Before beginning the assembly process, ensure all boxes and parts have been delivered.

FOR BEST RESULTS:

- Do not throw away packaging materials until assembly is complete.
- Assemble item on a soft surface, such as cardboard or carpet, to protect finish.
- Proper assembly requires two people.

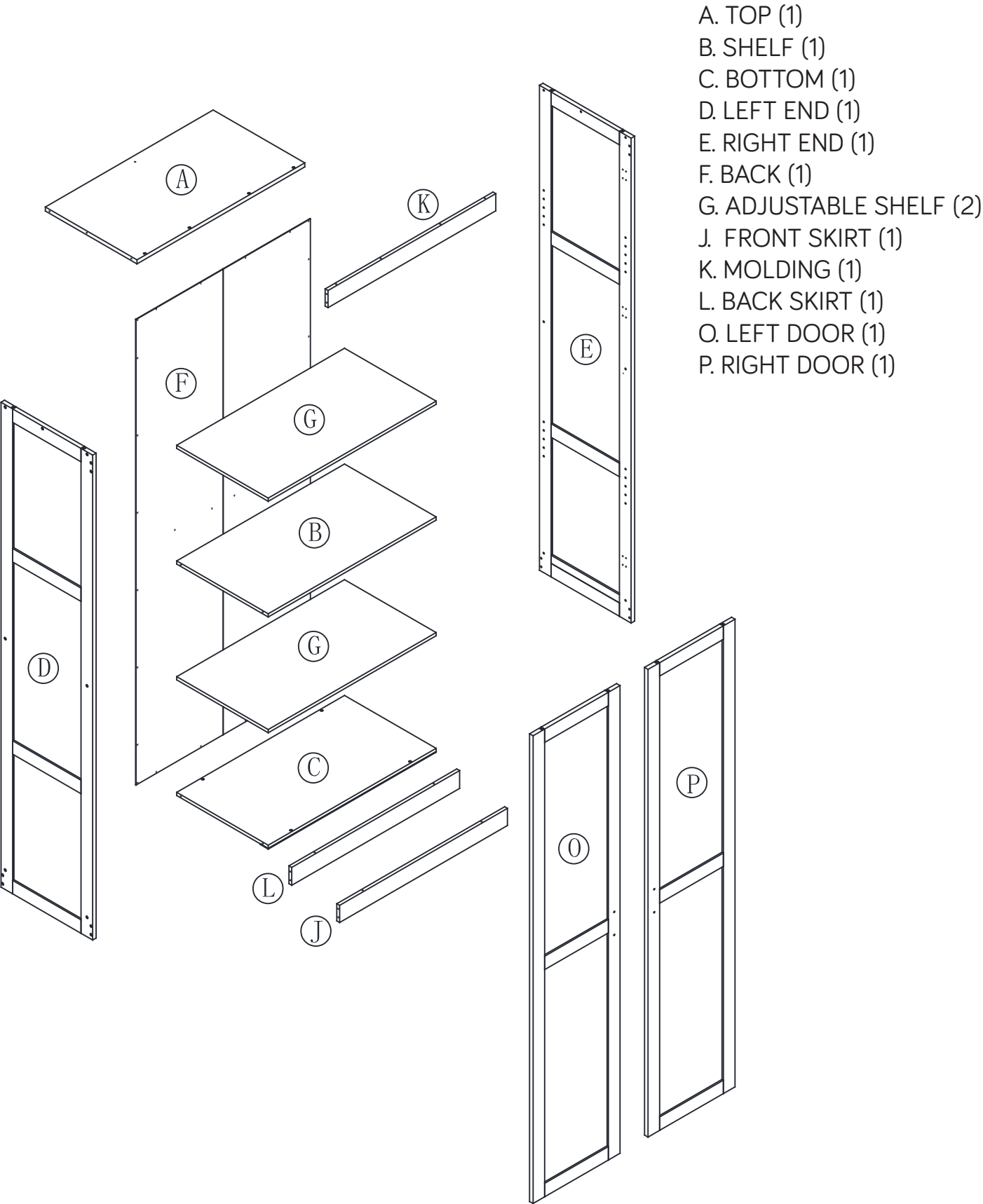


View our assembly video online:
WWW.MANHATTANCOMFORT.COM



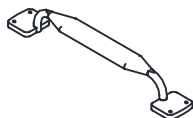
Stuck? Question? We are here to help.
tel: 908-888-0818
e-mail: help@manhattancomfort.com

Included in this package:

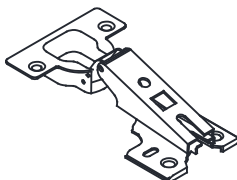


Hardware Identification

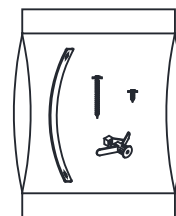
① PULL - 2pcs



② HINGE - 6pcs



⑨6 FURNITURE TIPPING RESTRAINT KIT - 1pc



③ APPLIQUE CARD- 5pcs



④ METAL PIN- 8



⑤ METAL BRACKET- 4pcs



⑥ FLAT HEAD SCREW
M4*35mm - 34pcs



⑧ MACHINE SCREW
M4*16mm - 4pcs



⑨ NAILS
Ø1.6*15MM - 28pcs



⑩ FLAT HEAD SCREW
M4*12mm - 36pcs



⑪ PAN HEAD SCREW
M4*10MM - 8pcs





MANHATTAN
COMFORT

WARRANTY POLICY

All Manhattan Comfort furniture products are warranted, to the original purchaser at the time of purchase and for a period of 30 days thereafter.

Our warranty is limited to new products purchased in factory sealed cartons. This warranty is valid in the United States of America and Canada.

In order to provide you with timely assistance, please thoroughly inspect your furniture for missing or defective parts immediately after opening the carton.

Manhattan Comfort offers a 30-day parts replacement warranty on all items.

Our furniture products are not intended for outdoor use.

THE WARRANTY DOES NOT COVER:

- Defects/damages by improper assembly or disassembly.
- Defects/damages caused by shipping. Claims for damage during transit should be placed immediately to the transportation company.
- Defects/damages caused by inappropriate use of the furniture.



319 Ridge Rd. Dayton, NJ 08810

908-888-0818

Step 1

- ◆ Fasten four METAL BRACKETS (5) to the ENDS (E and D). Use four PAN HEAD SCREWS (11).

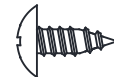
5



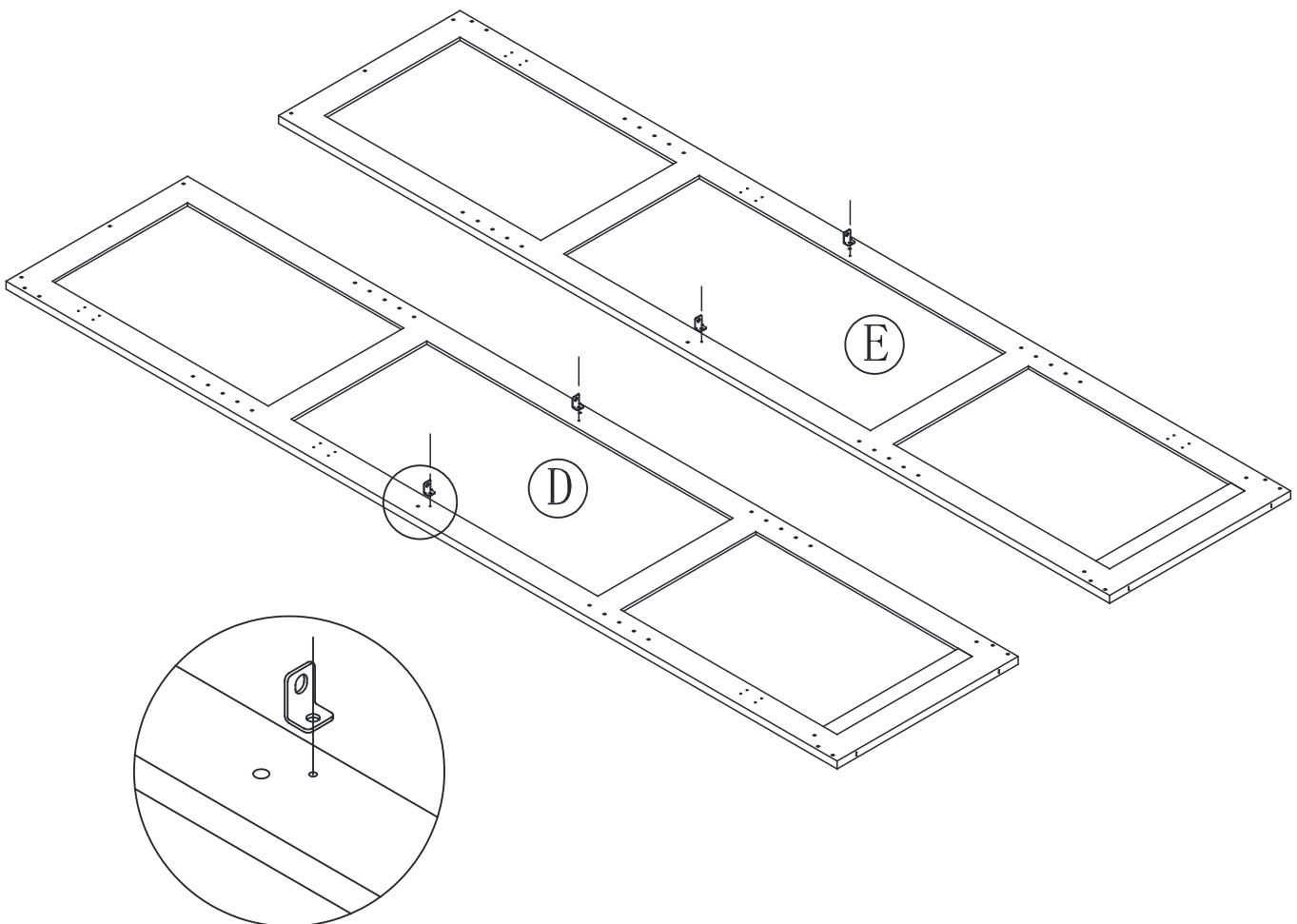
(4 PCS)

11

M4*10

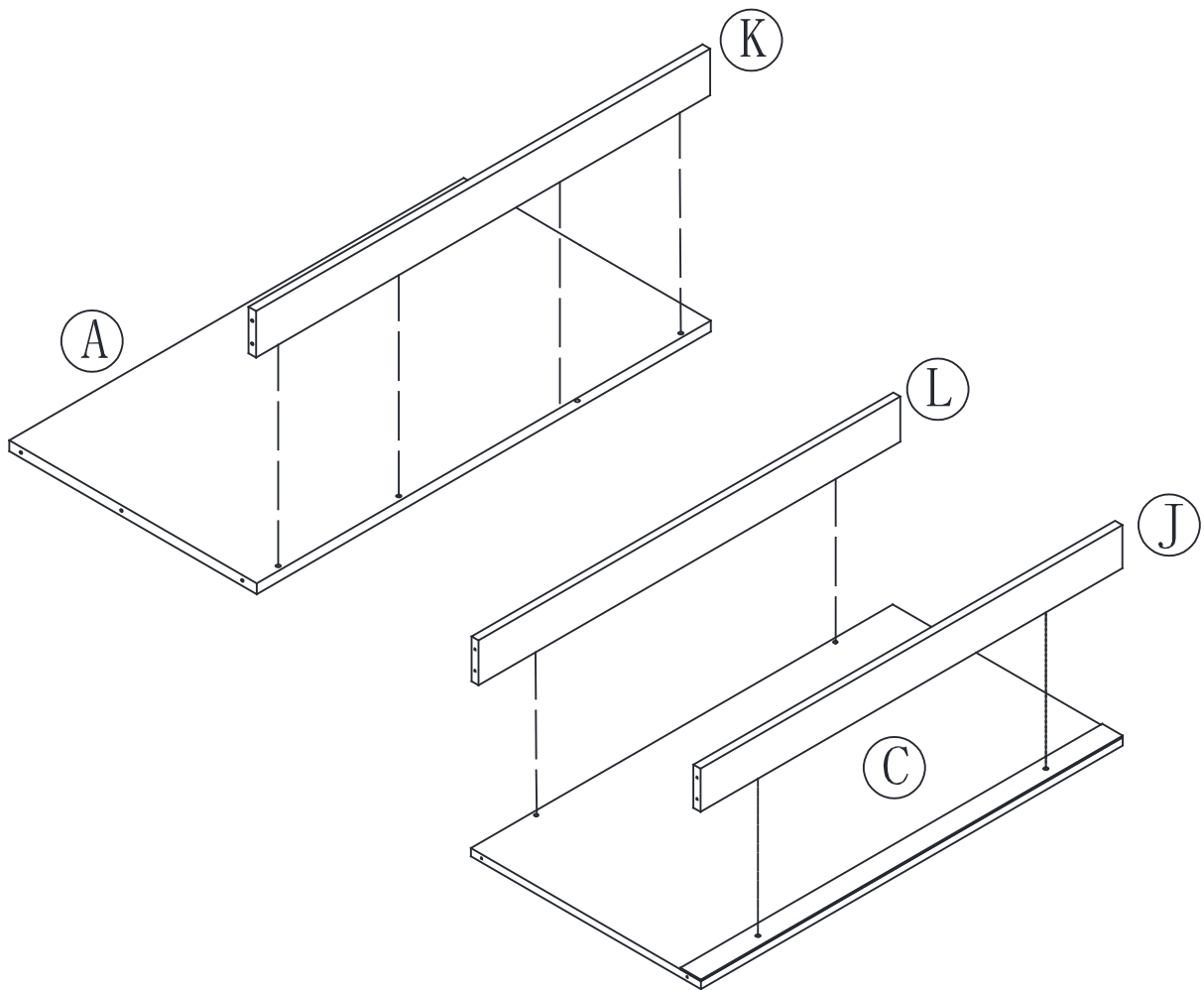
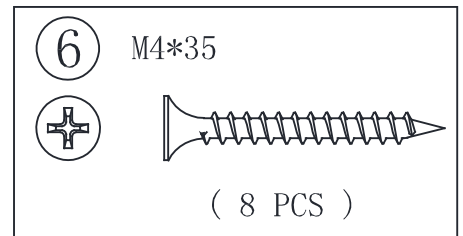


(4 PCS)



Step 2

- ◆ Fasten the MOLDING (K) to the TOP (A). Use four FLAT HEAD SCREWS (6).
- ◆ Fasten the FRONT SKIRT (J) and the BACK SKIRT (L) to the BOTTOM (C). Use four FLAT HEAD SCREWS (6).

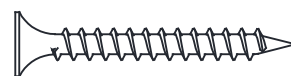


Step 3

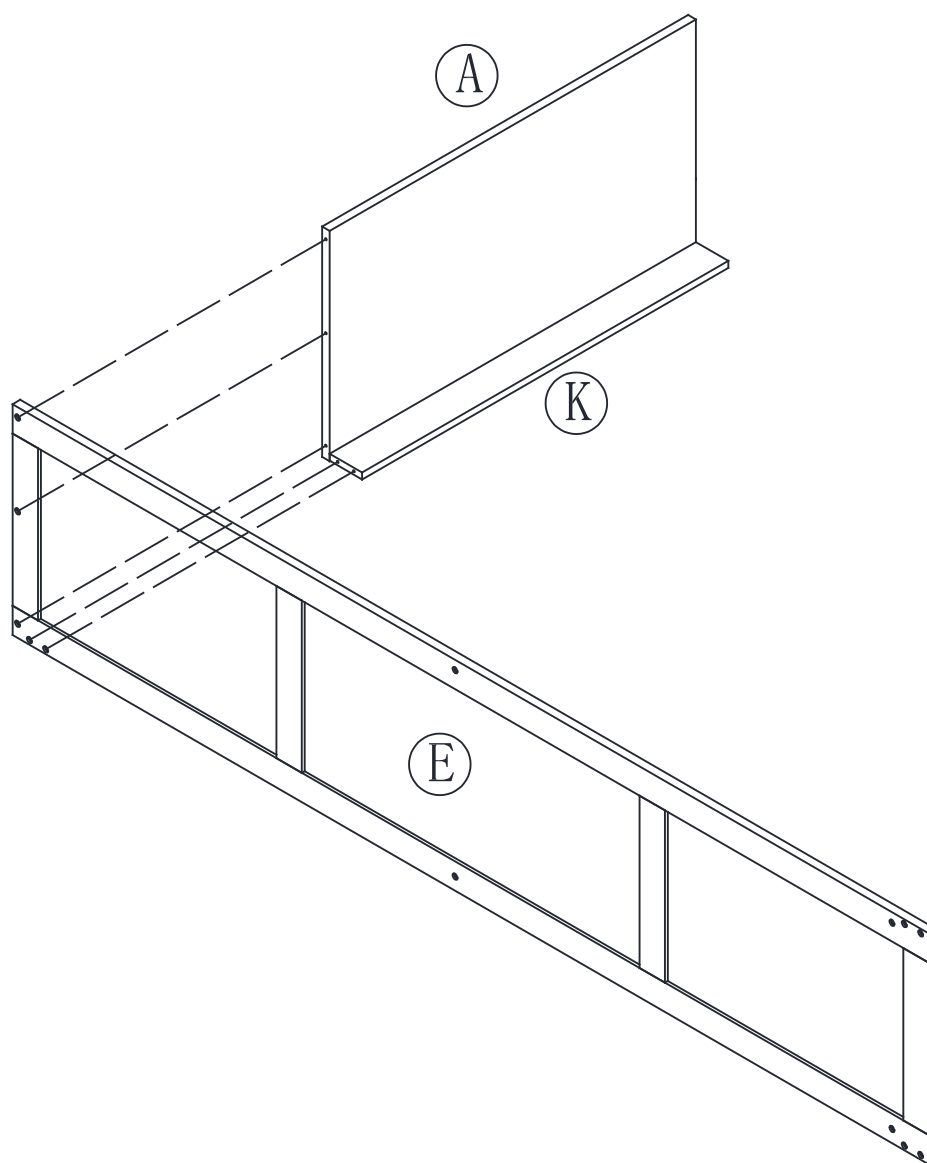
- ◆ Fasten the TOP (A) and MOLDING (K) to the RIGHT END (E).
Use five FLAT HEAD SCREWS (6)

6

M4*35

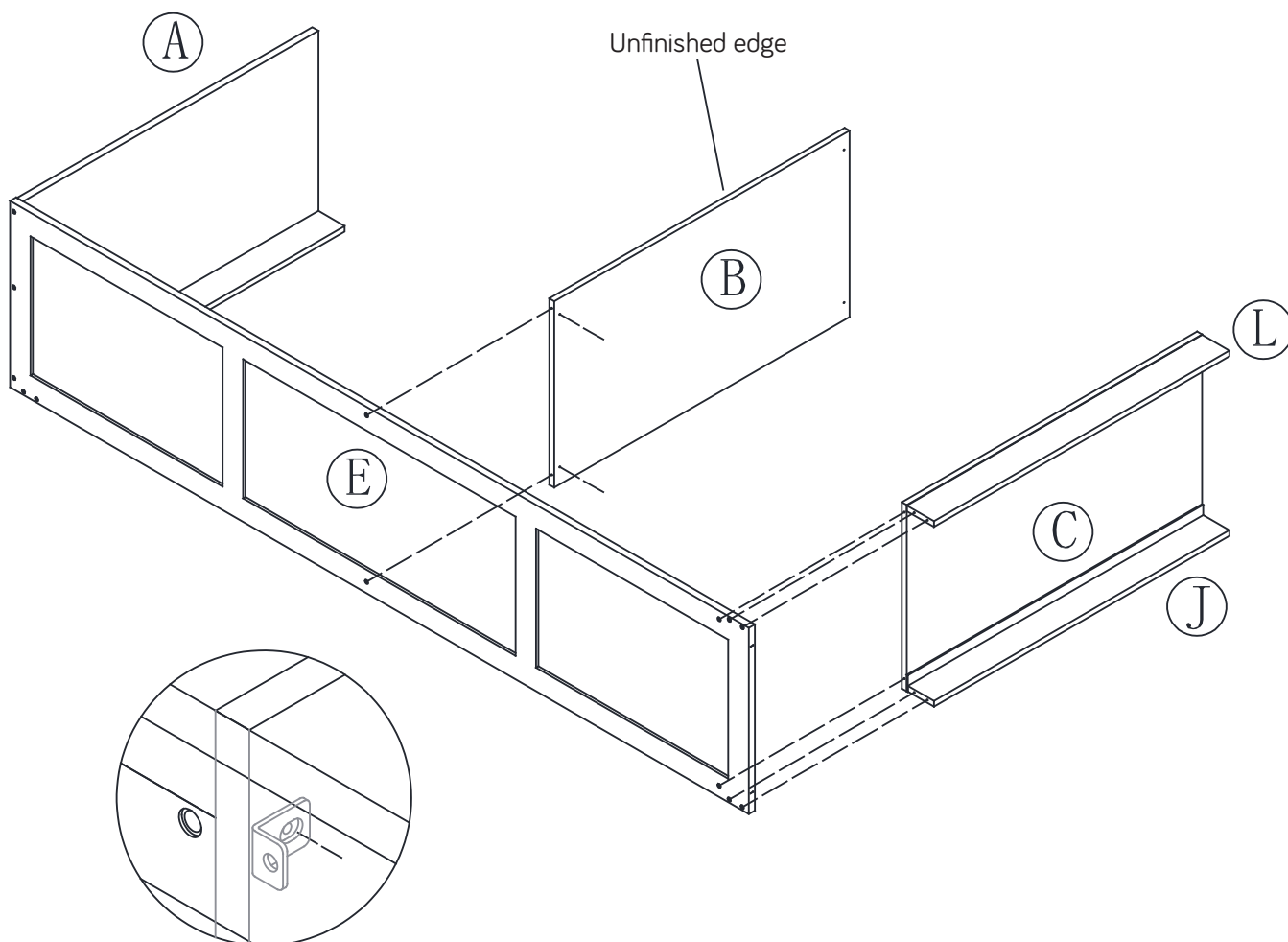
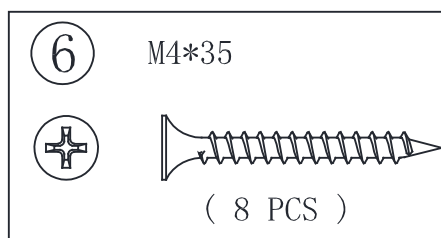
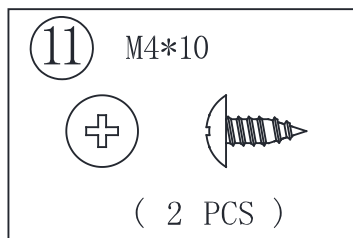


(5 PCS)



Step 4

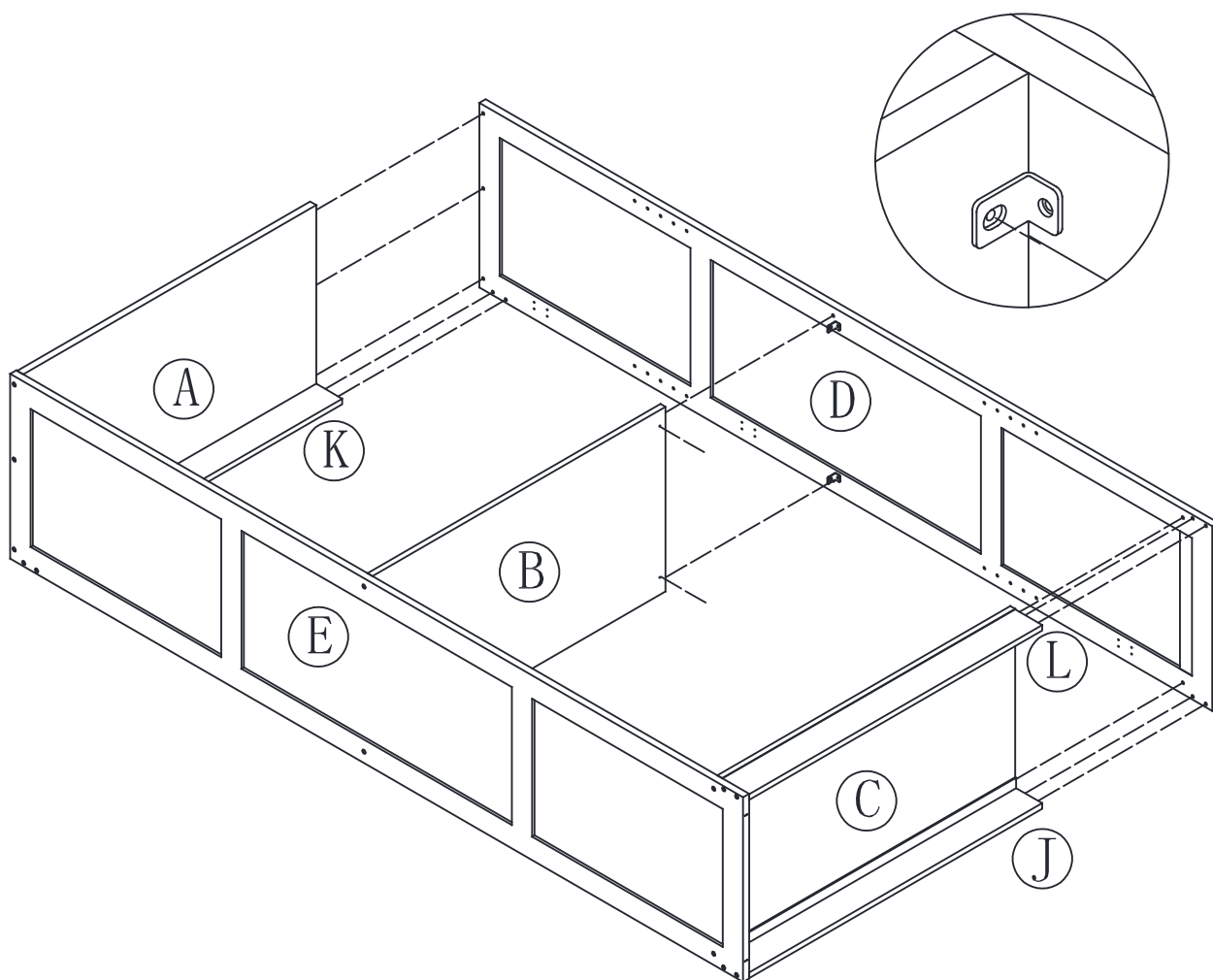
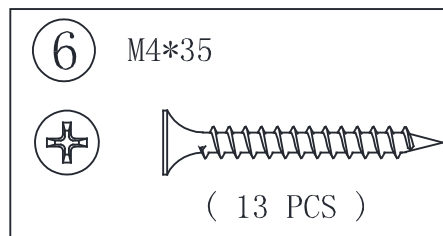
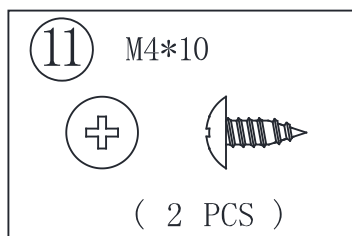
- ◆ Fasten the SHELF (B) onto the METAL BRACKETS (5). Use two PAN HEAD SCREWS (11).
- ◆ Fasten the BOTTOM (C) to the END (E). Use eight FLAT HEAD SCREWS (6).



Step 5

◆ Fasten the SHELF (B) onto the METAL BRACKETS (5). Use two PAN HEAD SCREWS (11).

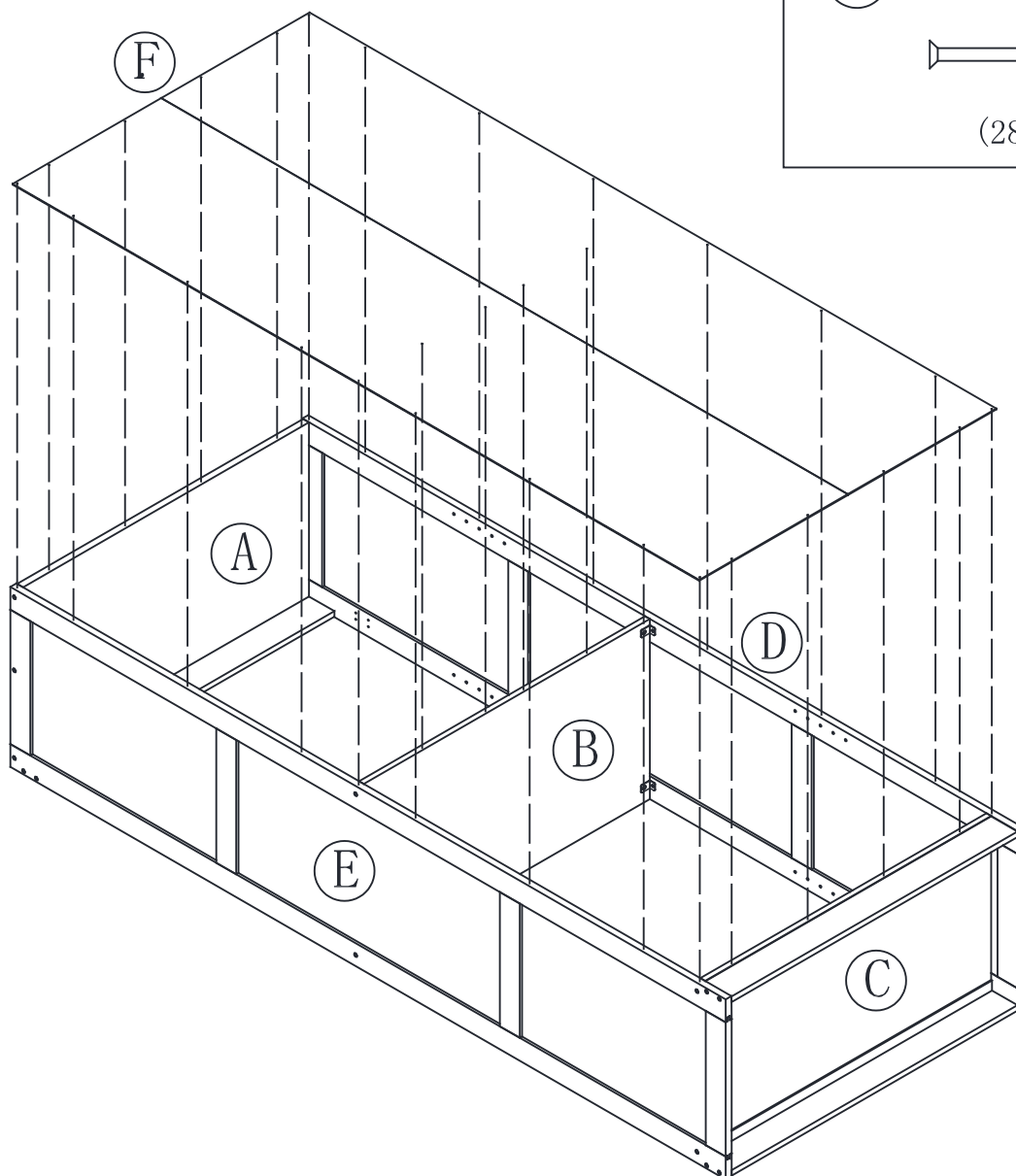
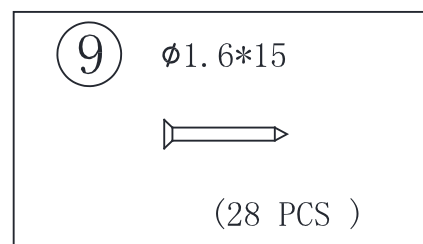
◆ Fasten the TOP (A) and the BOTTOM (C) to the END (D). Use thirteen FLAT HEAD SCREWS (6).



Step 6

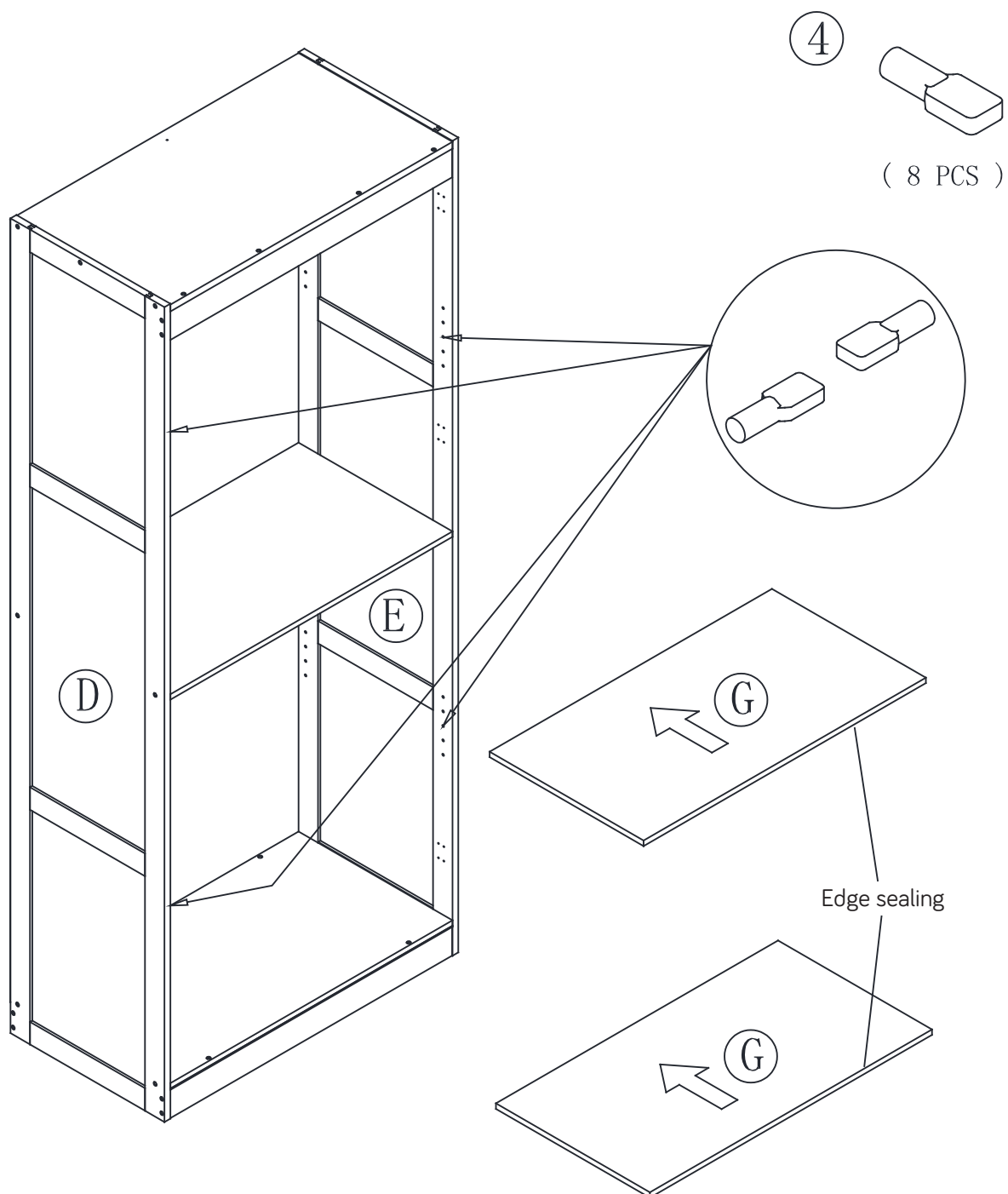
- ◆ Make equal margins along all four edges of the BACK (F). Push on opposite corners of your unit if needed to make it "square".
- ◆ Using your hammer, fasten the BACK (F) to your unit using the NAILS (9).
- ◆ NOTE : Be sure to tap NAILS into the holes that line up over the SHELF (B).

! Caution !
Do not stand the unit upright without the
BACK fastened.
The unit may collapse



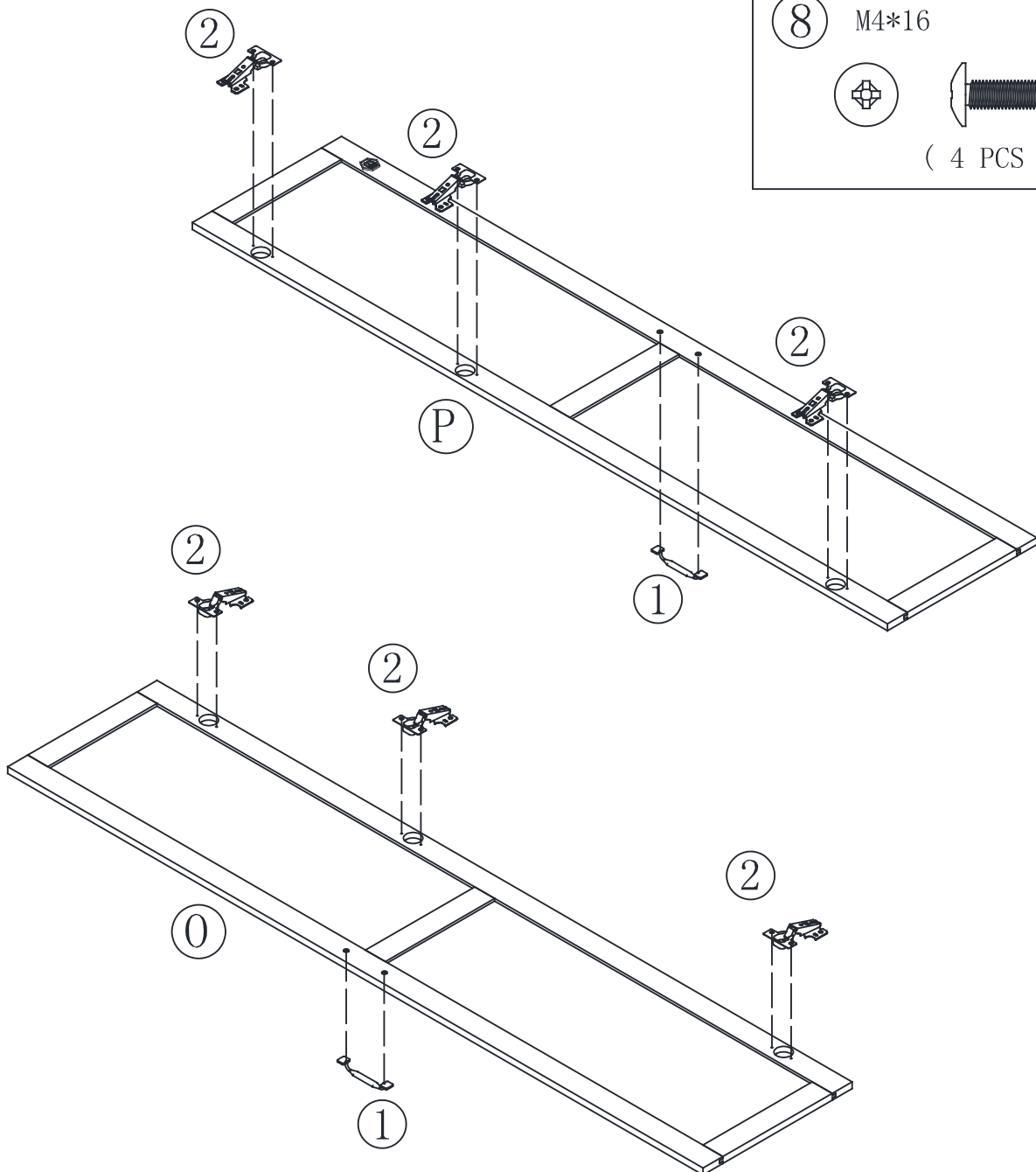
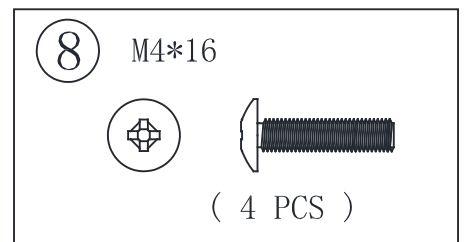
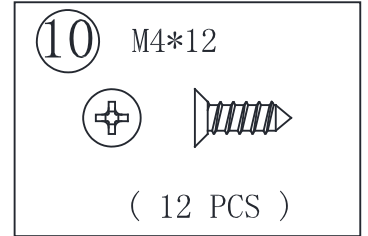
Step 7

- ◆ Insert the METAL PINS (4) into the hole location of your choice in the ENDS (D and E).
Set the ADJUSTABLE SHELVES (G) onto the METAL PINS.



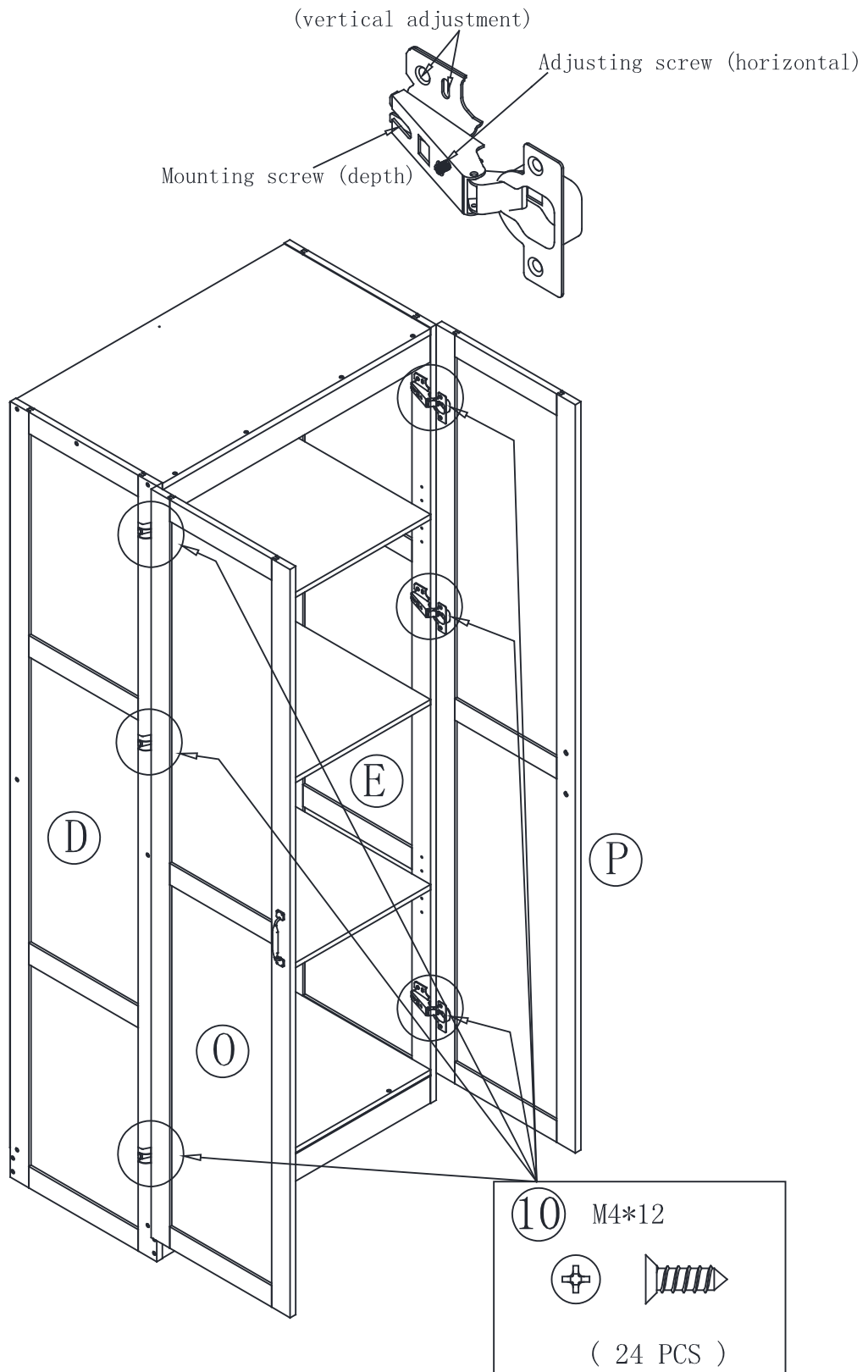
Step 8

- ◆ Fasten the HINGES (2) to the DOORS (O and P). Use twelve FLAT HEAD SCREWS (10).
- ◆ Fasten the PULLS (1) to the DOORS (O and P). Use four MACHINE SCREWS (8).



Step 9

- ◆ Carefully stand your unit upright.
- ◆ Fasten the DOORS (O and P) to the ENDS (D and E). Secure the hinges with twenty-four FLAT HEAD SCREWS (10).
- ◆ You should start each SCREW a few turns before completely tightening any of them.



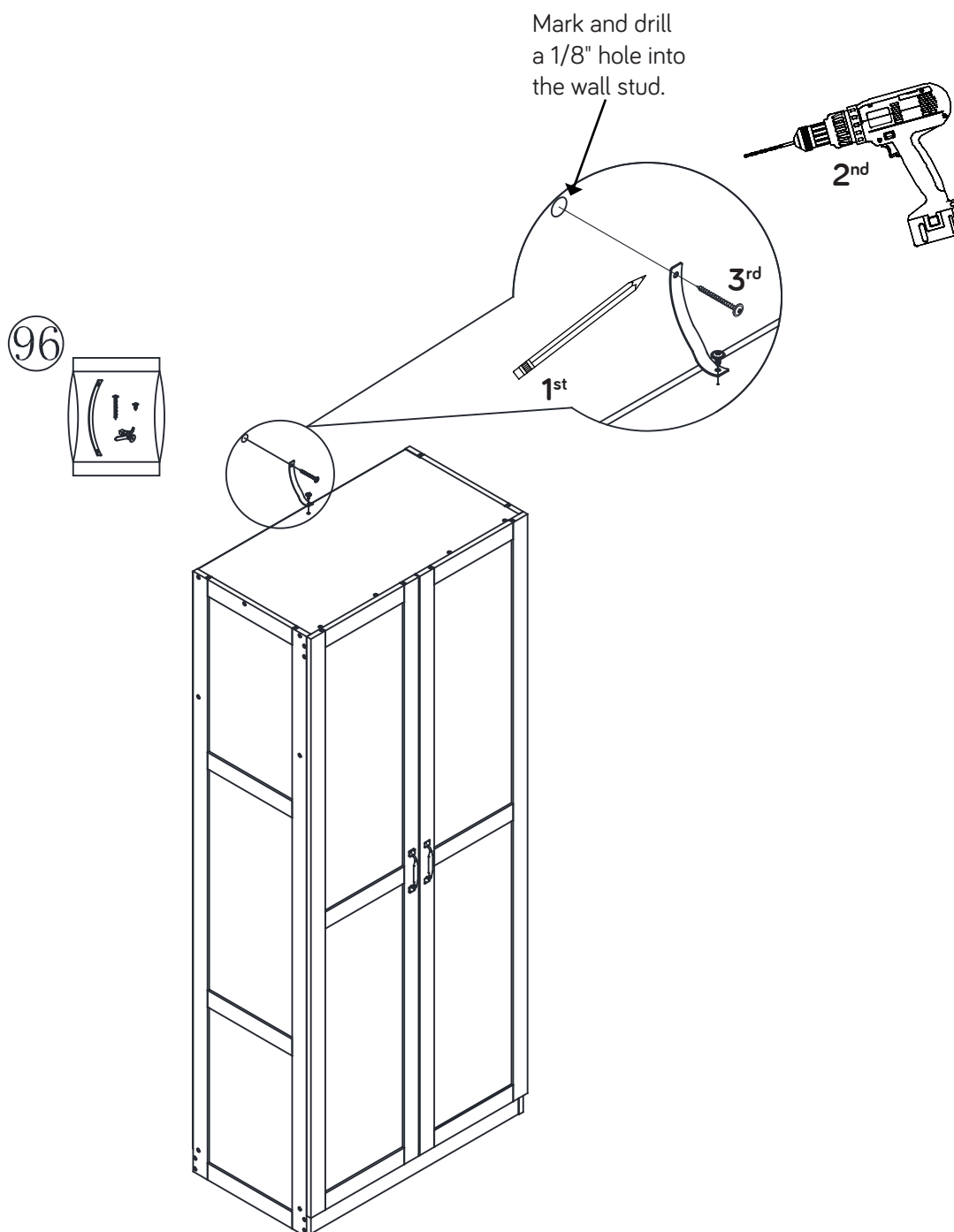
Step 9

- ◆ Open the FURNITURE TIPPING RESTRAINT KIT (96) and fasten the SAFETY STRAP to the TOP (A). Use the SHORT SCREW through the hole in the strap and into the top surface of the TOP (1).
- ◆ Place your unit in its final location.
- ◆ NOTE: The following instructions show your unit being fastened to a wall stud. If you are not fastening your unit wall stud, go to the next step now.

1st- Locate the center of a stud in your wall near your unit and mark it with a pencil.

2nd- Drill a 1/8" hole on the mark and into the stud in your wall.

- ◆ 3rd- Fasten the unit to the wall. Use the LONG SCREW through the other end of the SAFETY STRAP and into the 1/8" hole.



Step 10

1st- With your pencil, strike a mark through the center of the hole in the SAFETY STRAP.

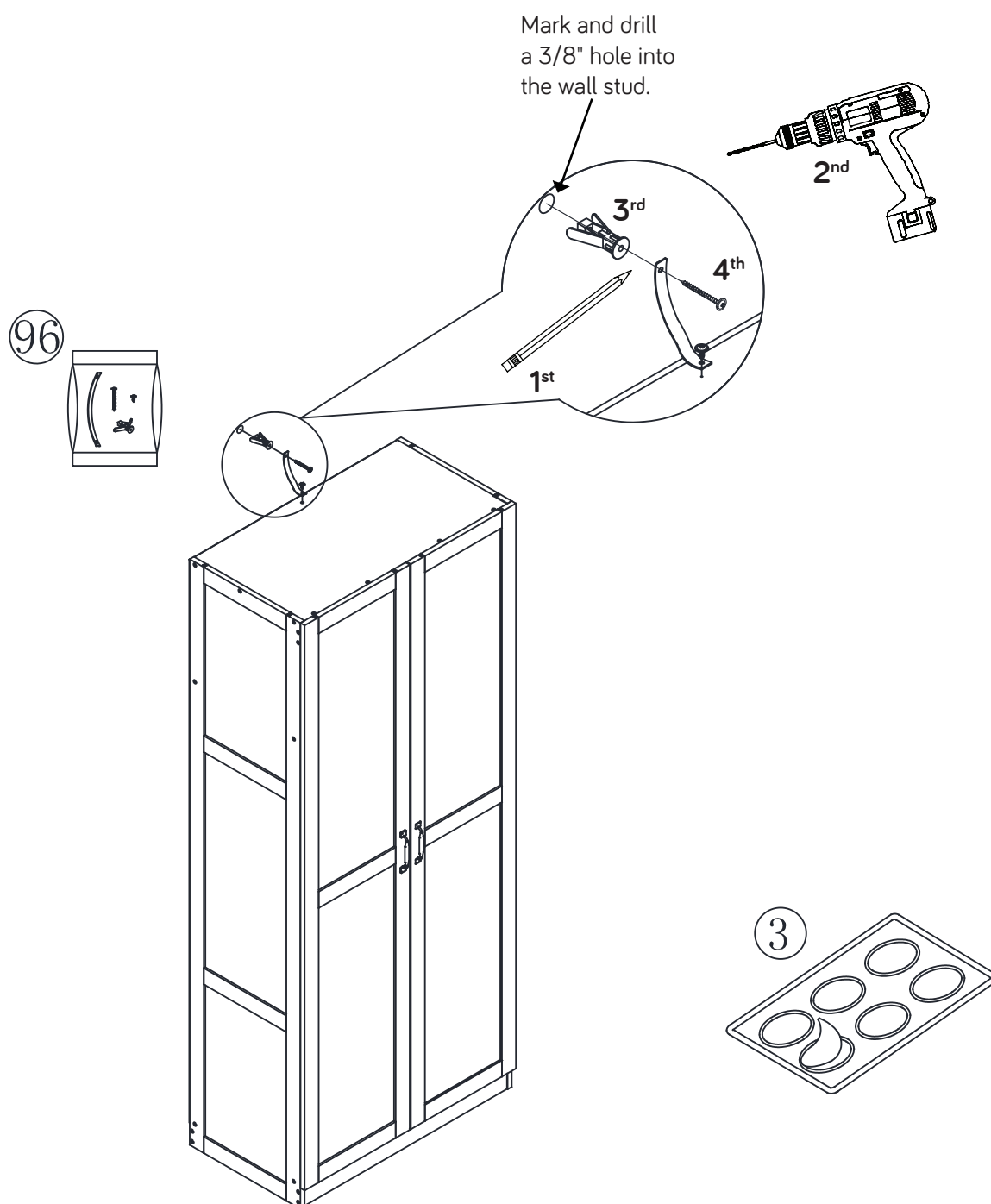
2nd- Drill a 3/8" hole on the mark.

◆ 3rd- While you squeeze the wings together, gently tap the WALL ANCHOR from the FURNITURE TIPPING RESTRAINT KIT (96) into the hole until it is even with the surface of the wall.

4th- Turn the LONG SCREW through the hole in the SAFETY STRAP and into the WALL ANCHOR.

◆ NOTE: You will need to turn the LONG SCREW multiple turns to completely tighten and secure your unit.

◆ Peel the APPLIQUES (3) from the applique card and stick them over the heads of the SCREWS in the ENDS.



Step 11

