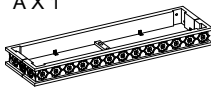
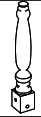

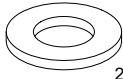
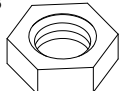

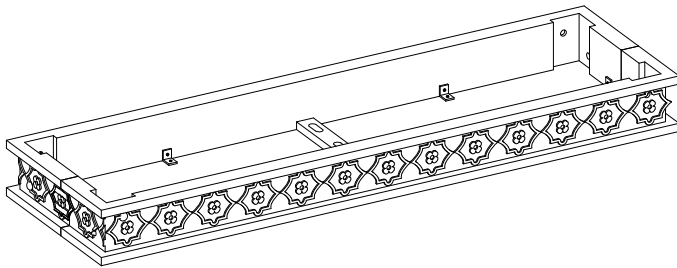


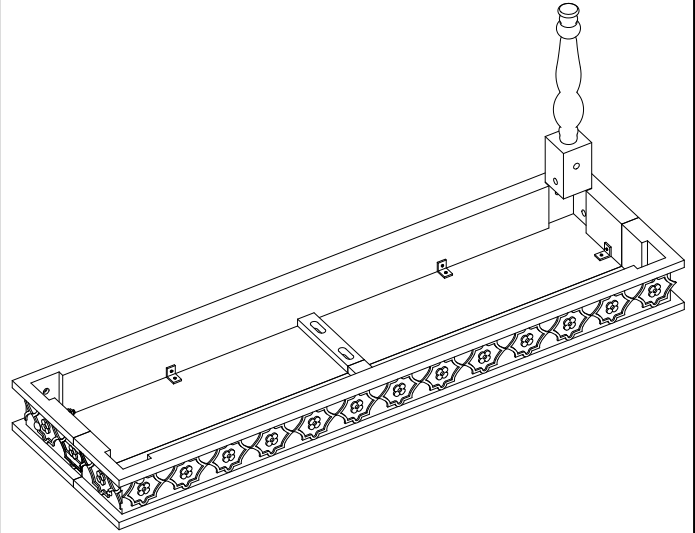
ASSEMBLY INSTRUCTIONS CARVING BENCH

| | | | | | |
|--|--|---|--|--|---|
| A X 1  | B X 4  | C X 8  115X8MM | D X 8  25X8MM | E X 8  | F X 1  14-15 |
|--|--|---|--|--|---|

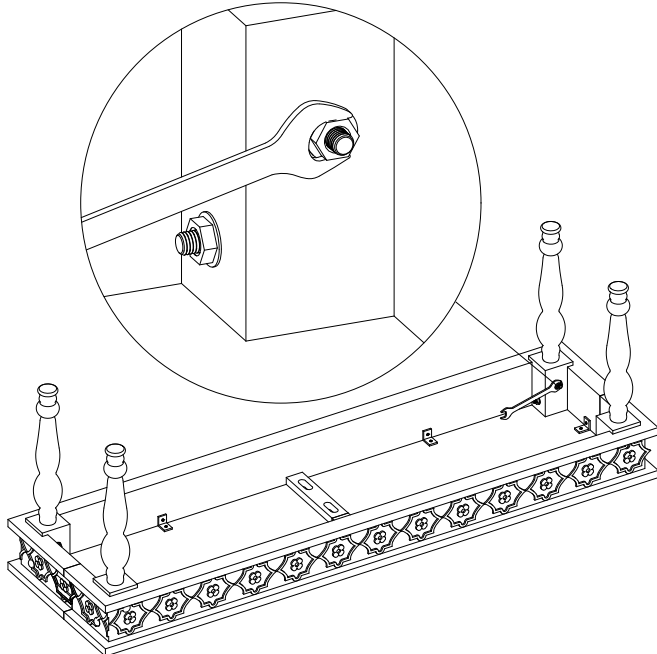
Step 1.



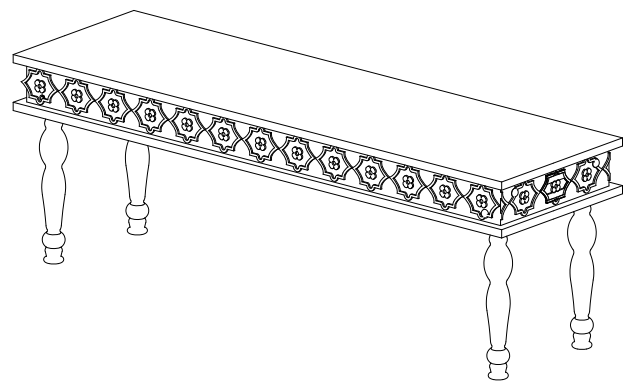
Step 2 - Assemble the all legs.



Step 3 - Tighten all the bolts.



Step 4 - Your product is now ready for use.
If it is shaking please tighten the bolts.



Care Instructions

Wipe with a soft, dry cloth. To protect finish, avoid the use of chemicals and household cleaners. Any liquid spilled onto the table should be cleaned up immediately with a damp cloth. Avoid keeping the product in direct sunlight.