




# Aluminum Barn Door Installation Guide

 2 Person Recommended

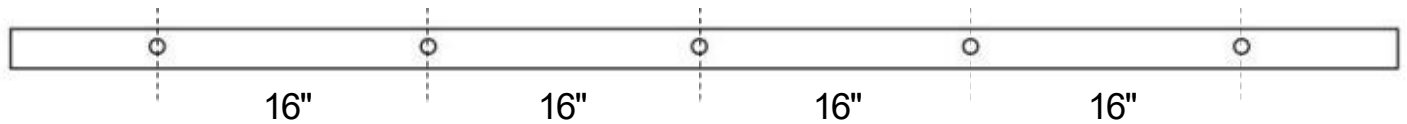
 1-2 hours

 Come in 2 packages

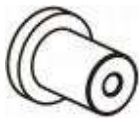
- In case of damage, missing parts or need installation assistance, contact [dooraftersale@gmail.com](mailto:dooraftersale@gmail.com) or call us at **916-409-6707**.
- Our product arrives in **2 parcels**. Start installation only until you receive all the parcels.

## What's Included (Hardware Pack)

Note: The Door will come in a separated package



1 x Track



5 x Wall Spacer



5 x Washer



5 x Lag Bolts



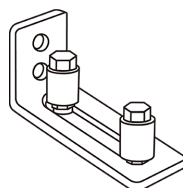
5 x Lag Bolts Anchor



4 x Roller Screw



2 x Top Mount Roller



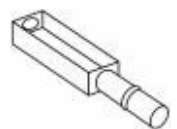
1 x Door Guide



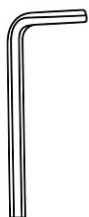
2 x Door Guide Screw



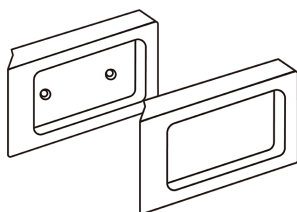
2 x Door Guide Anchor



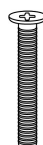
2 x Stopper



1 x Allen Key



2 x Door Handle



2 x Handle Screw



2 x Anti-jump Screw

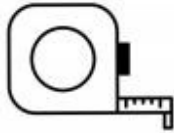


2 x Anti-jump Screw

## Tools Required



Speed Square



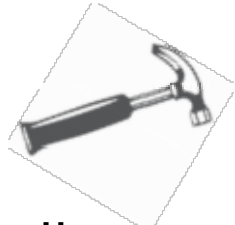
Tape Measure



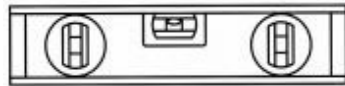
Pencil



Stud Finder



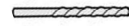
Hammer



Level



Driller



3/8" Drill Bit  
7/32" Drill Bit



Step Ladder

## Step 1: Track Installation for Concrete Wall

### IMPORTANT:

- Identify your wall type.
- Move to **Page 3** for Drywall.

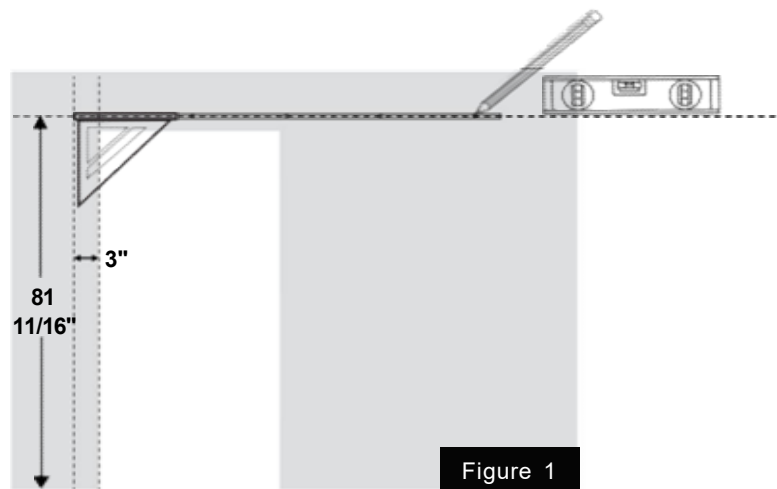


Figure 1

### Step 1:

- Use a ladder, tape measure and speed square to **mark the center line** position of the track by measuring 81-11/16" up from the floor. Verify the horizontal alignment of this line using a level.
- Measure 3" over from the edge of the opening to **find end location** of the track. Mark with a pencil (Figure 1). This installation guide use right-sliding as an example. Measure from the other direction if you prefer door slide to the left when opening.

### Step 2:

- Position the track in place using the marks in previous step. Ensuring it is level.
- Use the track as a template, mark mounting hole locations for the track using a pencil.

**Pro Tip:** For openings with thick trim or a basement. Install a wood board as header board first. Refer to page 4 for wood board installation.

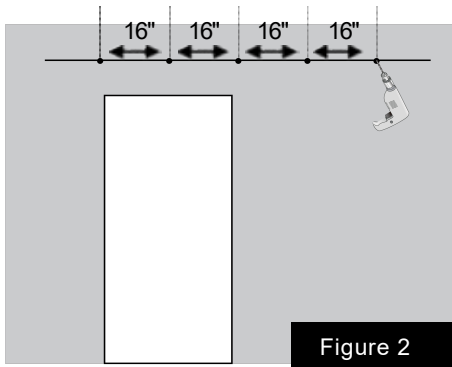


Figure 2

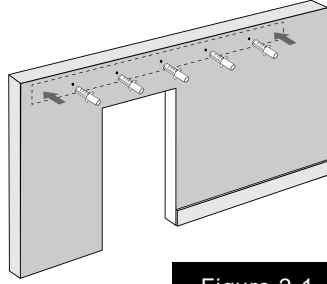


Figure 2-1

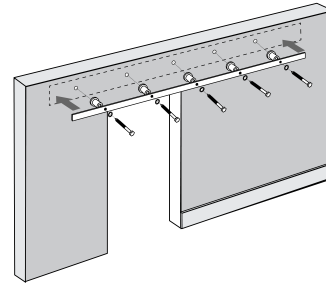


Figure 3

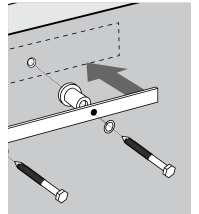


Figure 3-1

### Step 3:

- Pre-drill 5 pilot holes of 2" depth with 3/8" drill bit (Figure 2). Install the lag bolts anchor into the predrilled holes using a hammer (Figure 2-1).
- Position lag bolts, washer, track and wall spacer in above shown sequence (Figure 3-1). The wider end of the spacer should be placed against the wall. Use low-torque tools to fasten the lag bolts as shown in Figure 3.

## Step 2: Track Installation for Dry Wall

### IMPORTANT:

- Identify your wall type.
- Move to **Page 2** for Concrete Wall.

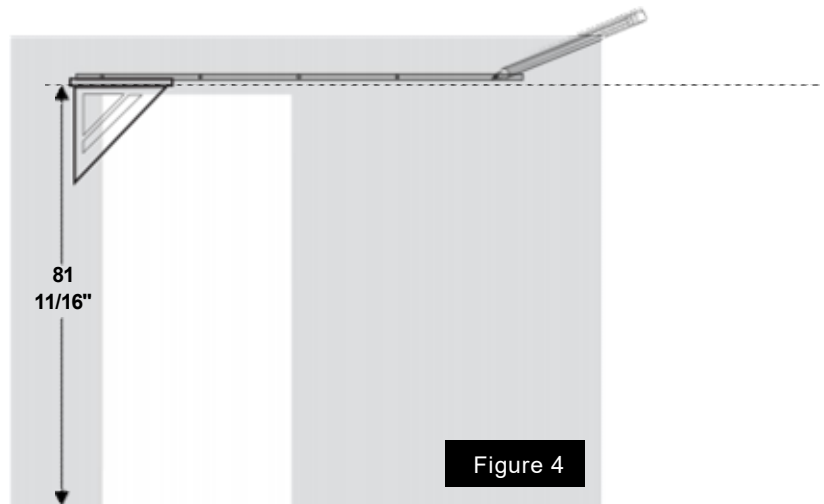


Figure 4

### Step 1:

- Use a ladder, tape measure and speed square to **mark the center line** position of the track by measuring 81- 11/16" up from the floor. Verify the horizontal alignment of this line using a level.

**Pro Tip:** For openings with thick trim or a basement. Install a wood board as header board first. Refer to page 4 for wood board installation.

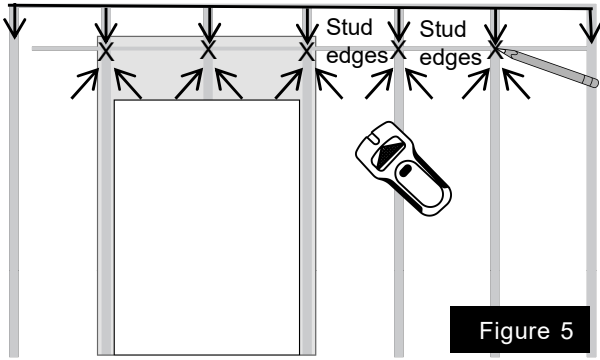


Figure 5

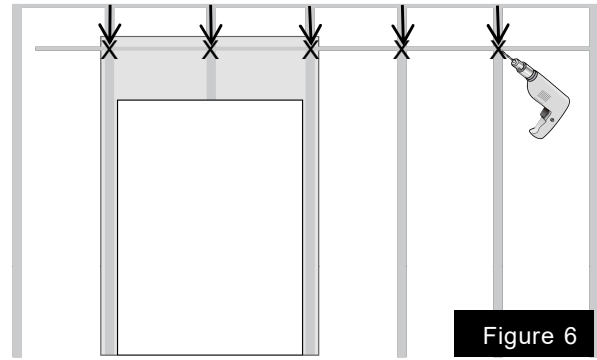


Figure 6

### Step 2:

- Use a stud finder to locate and mark the **edges** of each **stud**. Make sure at least one stud is over 3" to the left of the door opening.
- Mark the **intersection** of the horizontal line and the each stud center with "**X**" as Figure 5.
- Position the track in place using the marks in previous step. Move the track slightly left or right until all the holes matches "X" marks (**Remarks:** The track's hole spacing is 16").

### Step 3:

- Pre-drill 5 pilot holes of 2-3/16" depth with 7/32" drill bit (Figure 6).
- Fasten the track using the lag bolts, wall spacers and washers as shown in Figure 3 in page 3

**Pro Tip:** If your stud spacing is not 16" and track holes cannot match "X" marks in step 2, install a wood board as header board first as below.

## Optional: Header Board Installation

*Note: Wood Board and screws to install are not included.*

### Wood Board Requirements:

- Made of solid wood
- Thickness of 3/4" to 1"; Width of 3.5" to 5.5"; Length of 72" or above.

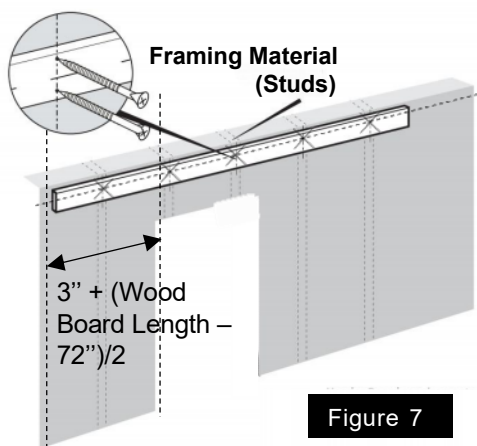


Figure 7

### Step 1:

- Position the wood board in place, aligning the center of the wood board with the horizontal line drawn.
- The left end of the wood board should be  $3'' + (\text{Wood Board Length} - 72'')/2$  away from the left end of the opening.
- Fasten the wood board to the wall with screws. We recommend to pre-drill holes according to your screw requirement. For concrete wall use expansion anchor. For dry wall make sure all screws are installed to the studs.

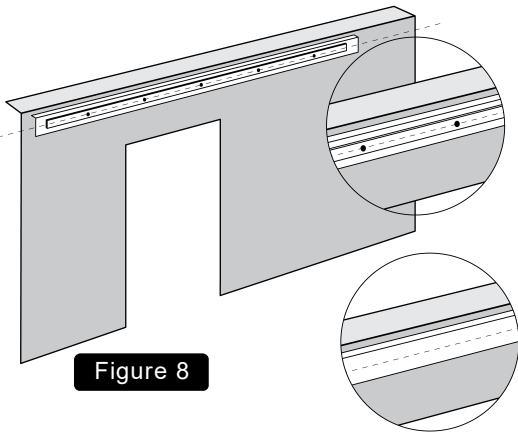


Figure 8

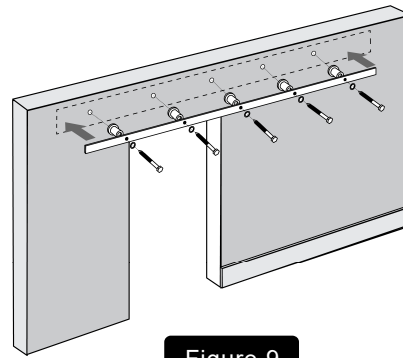


Figure 9

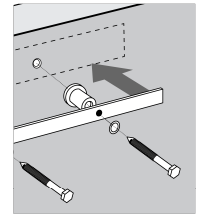


Figure 9-1

**Step 2:**

- After the wood board installation, attach the track onto the wood board, making sure the track is at the center of wood board in both width and length side. Mark mounting hole locations for the track on wood board using a pencil.
- Pre-drill 5 pilot holes of 2" depth with 3/8" drill bit.
- Fasten the track using the lag bolts, wall spacers and washers as shown in Figure 9 and Figure 9-1.

## Step 3: Top Mount Roller Installation

**Note: The door is reversible in top and bottom. There are mounting screw holes at both top and bottom. Choose which side you would like to have your handle installed and determine which side is the top.**

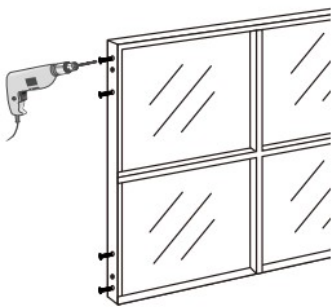
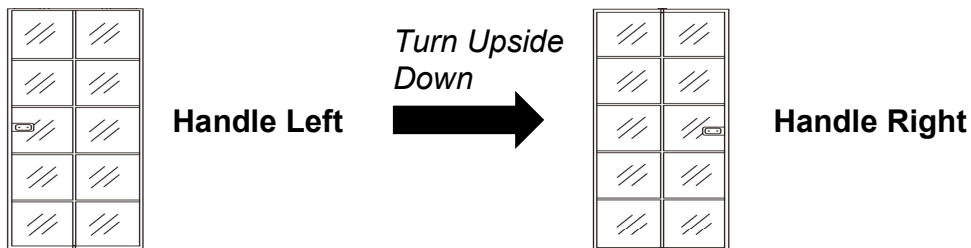


Figure 10

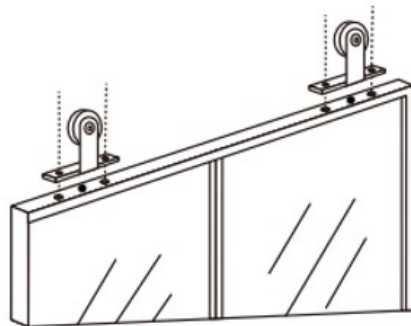


Figure 11

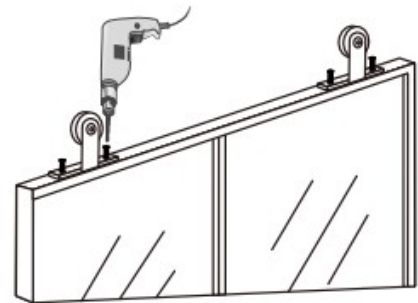


Figure 12

- Remove the first and third screws on the door as Figure 10; Do NOT remove the screws in the middle.
- Align the holes on the top mount roller with the holes on door slab as Figure 11
- Fasten the top mount roller to the top of the door using the provided screws as Figure 12.

## Step 4: Door Guide Installation

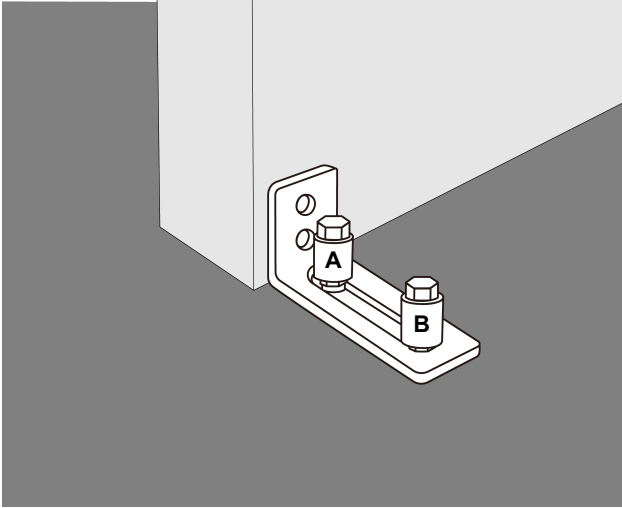


Figure 13

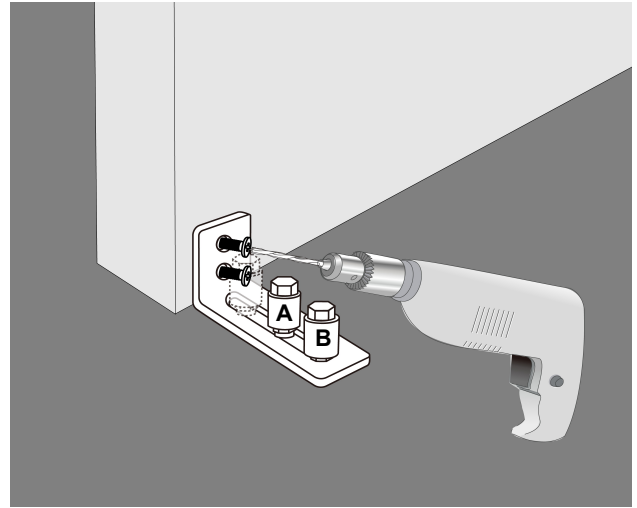


Figure 14

- **Step 4:** Place the door guide against the wall and flush with the floor, then slide the movable Part A toward Part B to create space for screw installation.
- Then use a drill to drive screws through the guide's holes and fasten it to the wall.

## Step 5: Hang The Door

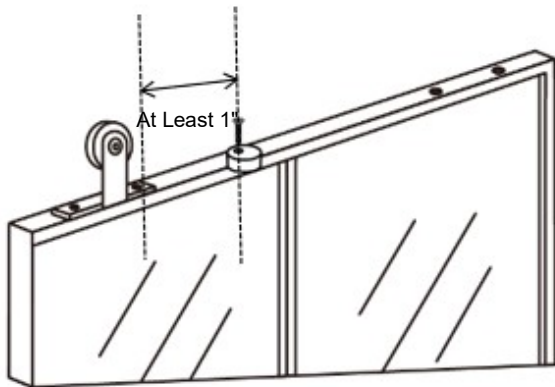


Figure 15

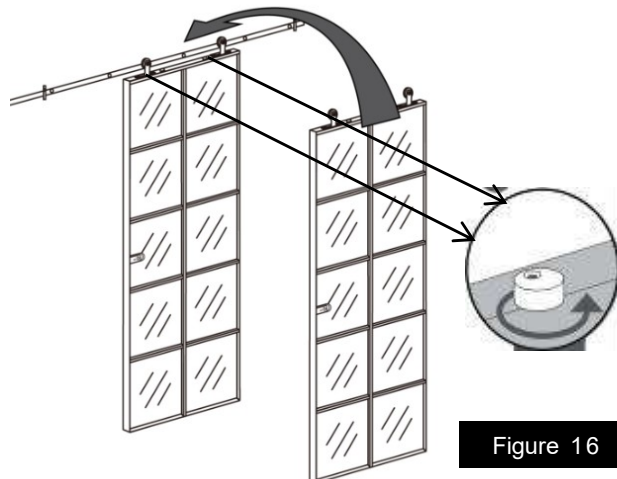


Figure 16

### Step 1: Install Anti-Jump

- Position each anti-jump block at least 1" from the edge of the rollers.
- The hole for the anti-jump blocks should be offset from the center of the door so the block can be rotated out of the way to be able to hang the door on the track (Figure 15)
- Use provided screw to fasten the anti-jump to the door. Replicate the step for the other anti-jump.

### Step 2: Hang the door

- Place door with roller onto track.
- Rotate the anti-jump block 180-degree so it would be under the track (Figure 16), preventing the door from falling off the track.

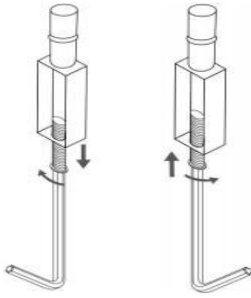


Figure 17

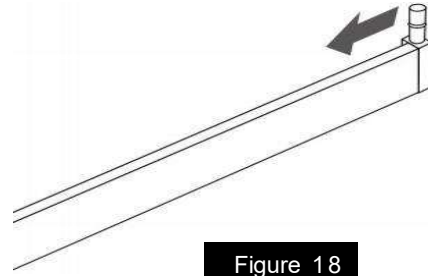


Figure 18

### Step 3: Install Door Stoppers

- To loose the stopper, turn the bottom screw on the stopper counter-clockwise using the provided allen key as Figure 17.
- Slide the stoppers onto the track as Figure 18 from both ends of the track. Place it at the position where door can stop at your desired position.
- Secure the stopper by turn the bottom screw on the stopper clock-wise using the provided allen key.

## Step 6: Door Handle Installation

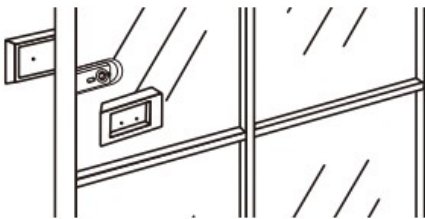


Figure 19

### Step 1:

- Align the front and rear of the handle on the door.
- Place the handle with the screw holes against the frosted side of the glass. Place the handle without screw holes against the smooth side of the glass.

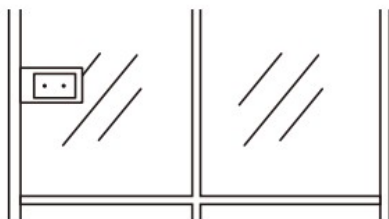


Figure 20

### Step 2:

- Align the screw holes on rear handle, front handle and glass in the middle

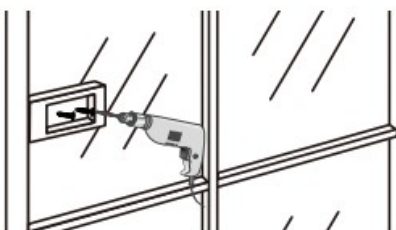


Figure 21

### Step 3:

- Tighten the screws with manual screwdriver.
- DO NOT use power tool as over screw the screws may lead to damage on the glass.