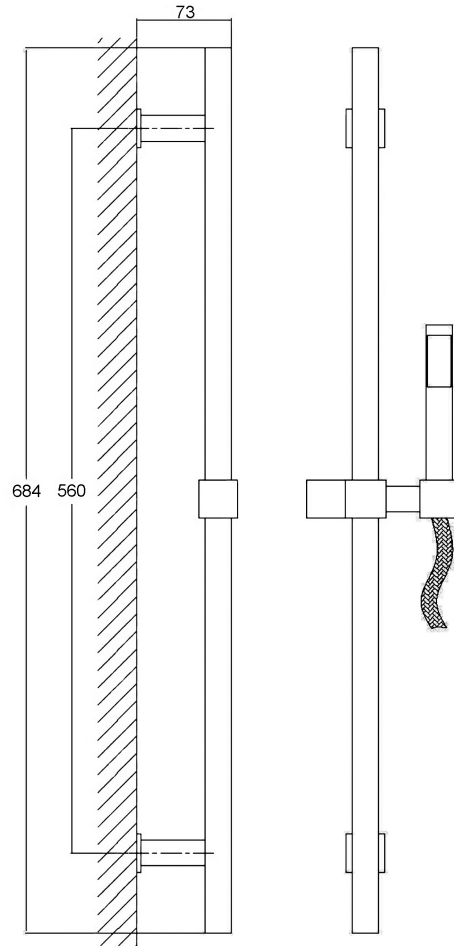


CUSTOMER DATA SHEET - SHOWERS

DESCRIPTION: Slider Rail Kit



PRODUCT DIMENSIONS

Length (mm)	Width (mm)	Height (mm)	Depth (mm)	Nett Wgt Kg
	118	684	73	1.4

PACKAGING DIMENSIONS

Length (mm)	Width (mm)	Depth (mm)	Gross Wgt Kg
700	140	83	1.61

PACKAGING DATA

Box Colour	White Cardboard Box		
Box Qty	1	Label Colour	White Label
Label Size	100 x 50	Label Qty	2

OUTER BOX DIMENSIONS (If Applicable)

Length (mm)	Width (mm)	Height (mm)	Depth (mm)	Gross Wgt Kg
				18

PRODUCT DETAILS

Country of Origin	China
Fitting Instruction	No
Product Material	Brass/ABS
Mount Type	Wall, Surface
Outlet Elbow Supplied	Yes
Easy Clean	Yes
Head Included	No
Handset Included	Yes
Body Jets Included	No
No of Body Jets	Not Applicable
Operating Pressure (bar)	0.1
Valve/Cartridge Type	Not Applicable

Flow Rates (L/min)	0.1 bar	N/A	0.5 bar	N/A	1 bar	N/A	2 bar	N/A	3 bar	N/A
TMV2 Approved	No		Approval No.	N/A						
TMV3 Approved	No		Approval No.	N/A						
WRAS Approved	No		Approval No.	N/A						
Head Function	Not Applicable									
Handset Function	Single Setting									
Body Jet Info	Not Applicable									
Pipe Size	15 mm (1/2" Bsp)									
Pipe Centres	N/A									
Colour/Finish	Chrome									
Hose Included	Yes									