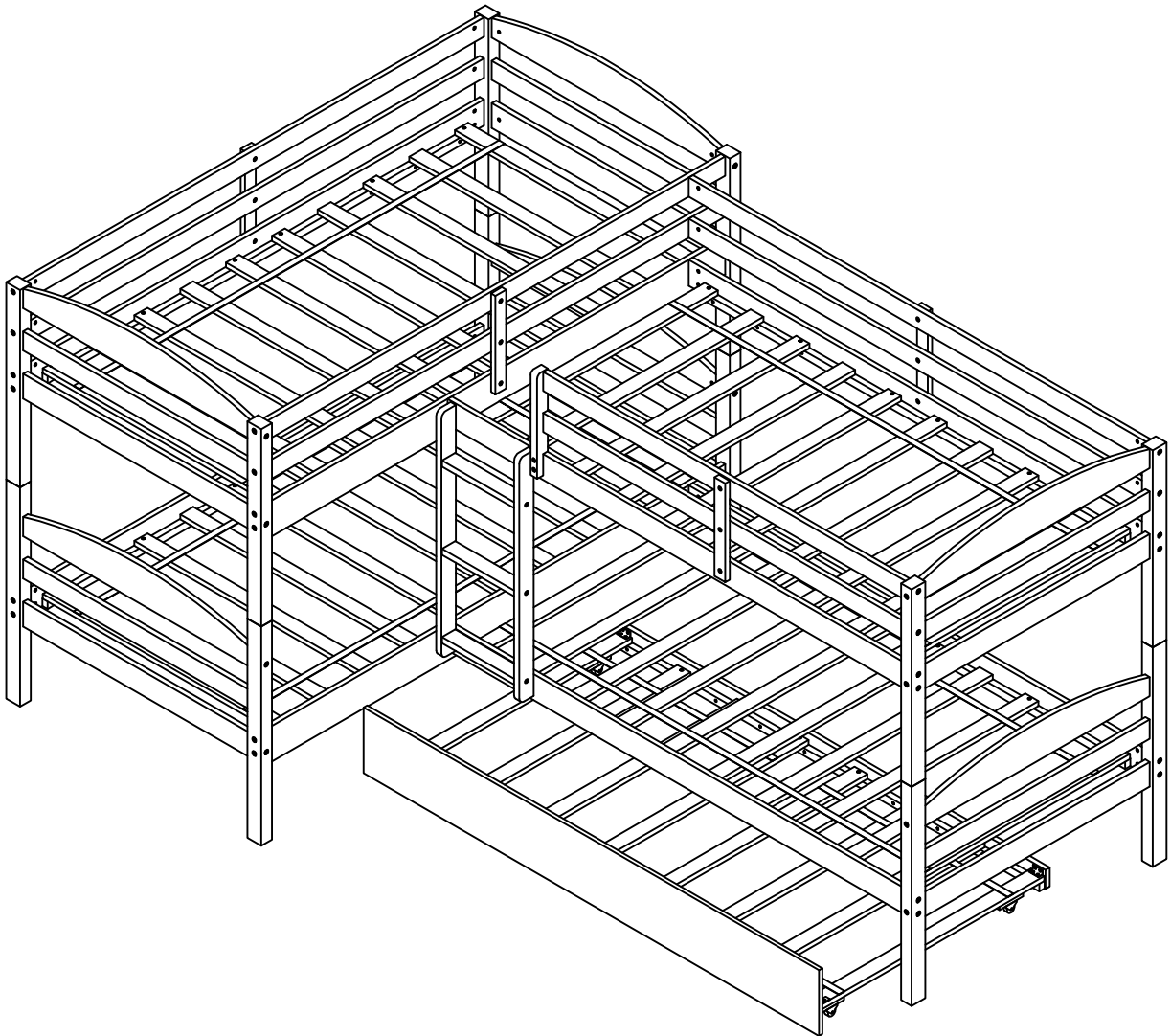
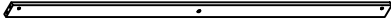
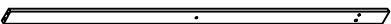
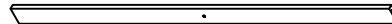


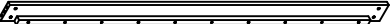





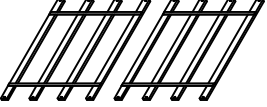
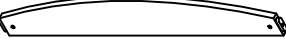

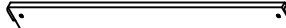
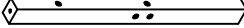
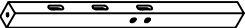


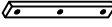

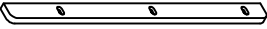
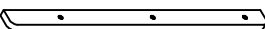
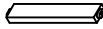
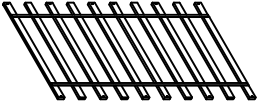


ASSEMBLY INSTRUCTIONS

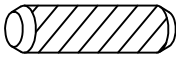
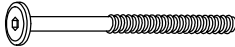
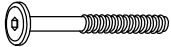







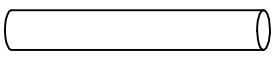
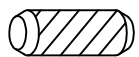
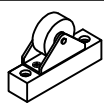
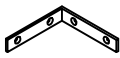

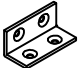


Part List

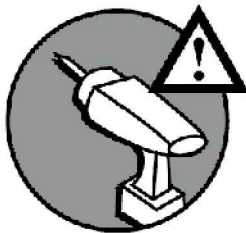
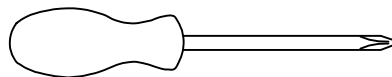
H  Long guard rail (back) - 4pcs	H1  Long guard rail (front) - 2pcs	H2  Short guard rail (front) - 2pcs
J  Upper side rail (Back) -2pcs	J1  Upper side rail (front) -1pc	J2  Lower side rail (Back) -2pcs
J3  Upper side rail (front) -1pc	J4  Lower side rail (front) -1pc	J5  Lower side rail (front) -1pc
P  Front panel of trundle - 1pc	Q  Back panel of trundle - 1pc	T  Trundle Slat - 8pcs

A  Horizontal bar (HB/FB) - 6pcs	B  Horizontal bar (HB/FB) - 6pcs	C  Horizontal bar (HB/FB) - 6pcs
D  Lower leg HB/FB (left)-3pcs	E  Lower leg HB/FB (right)-3pcs	F  Upper leg HB/FB (left)-3pcs
G  Upper leg HB/FB (right)-3pcs	K  Vertical guard rail - 4pcs	L  Support guard rail (left) - 1pc
M  Ladder (Left) - 1pc	N  Ladder (Right) - 1pc	O  Step ladder - 3pcs
S  Slats - 4set (10pcs/set)		

Hardware List

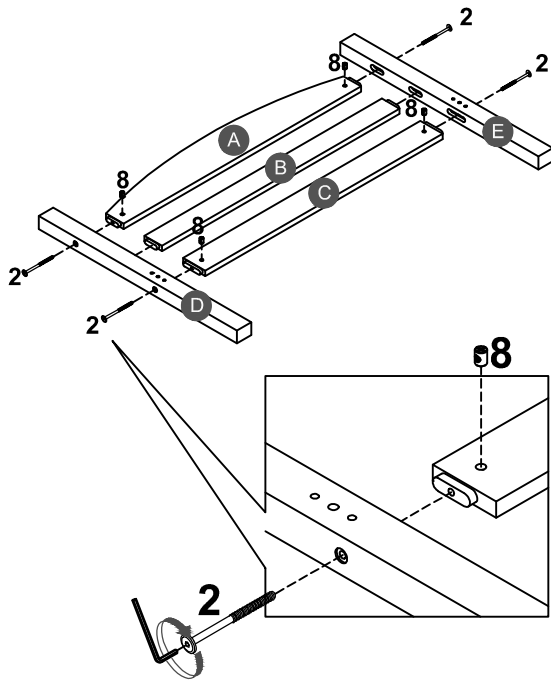
1  Ø10*40mm Wood dowel (16pcs)	2  (Ø15)1/4"*100mm Hex-Head bolts (60pcs)	3  (Ø15)1/4"*80mm Hex-Head bolts (12pcs)
4  (Ø12)1/4"*60mm Hex-Head bolts (6pcs)	5  (Ø12)1/4"*40mm Hex-Head bolts (4pcs)	6  (Ø12)1/4"*35mm Hex-Head bolts (2pcs)
7  (Ø12)1/4"*30mm Hex-Head bolts (12pcs)	8  1/4"*15 (9.5mm) Horizontal-Hole bolts(78pcs)	9  Ø4*30mm Wood screws (72pcs)
10  (1/4")4.5*58mm Allen key (1pc)	11  Ø9*90mm Metal connector (6pcs)	12  Ø8*30mm Wood dowel (16pcs)
13  100*63*20mm Wheels (4pcs)	14  95*95*18*3mm Metal bracket (2pcs)	15  Ø3.5*15mm Wood screws (16pcs)
16  40*18*18*2mm Metal bracket (2pcs)		

ASSEMBLY TOOLS REQUIRED (NOT INCLUDED)



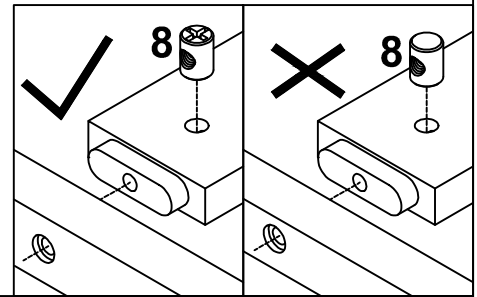
PLEASE BE CAREFUL DO NOT DAMAGE THE HOLE POSITION WHEN YOU USE POWER TOOLS !

STEP 1:

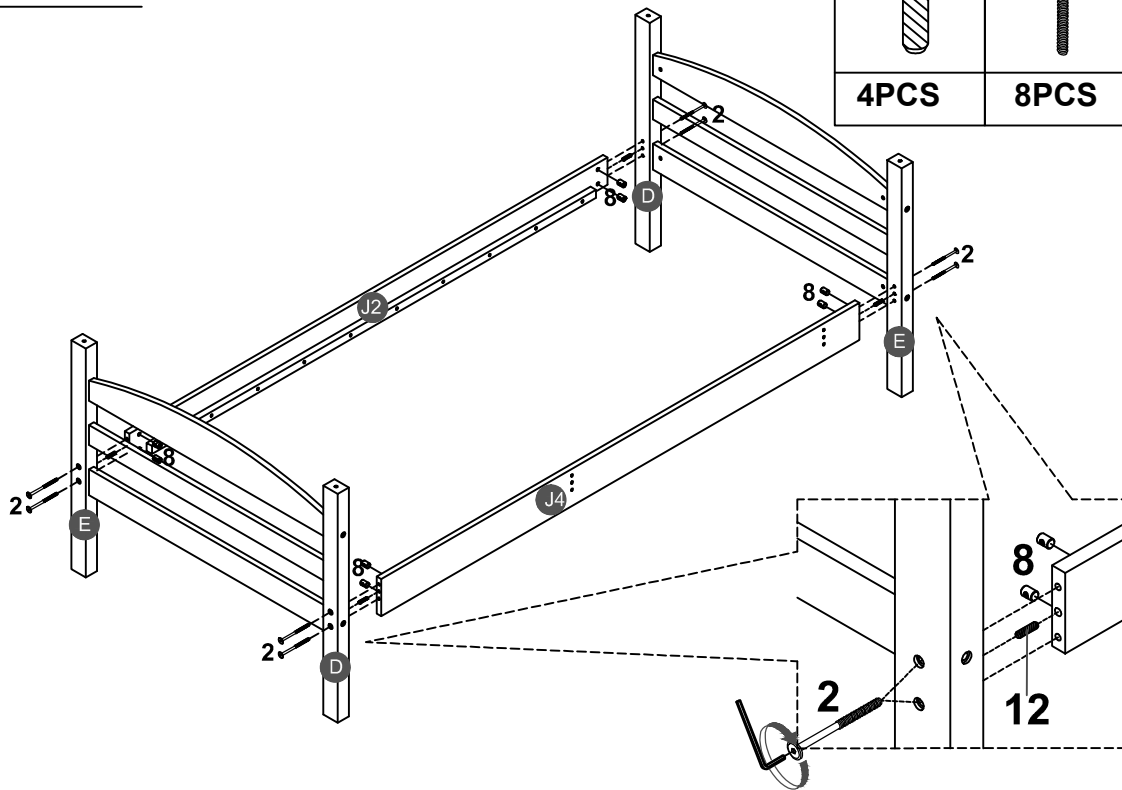


2		8	
12PCS		12PCS	

x3

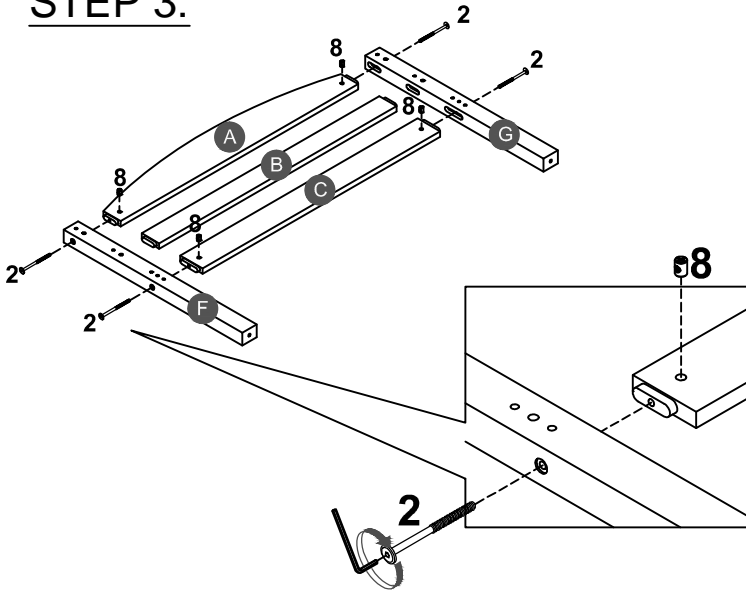


STEP 2:



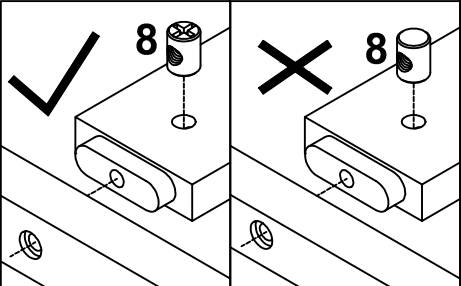
12		2		8	
4PCS		8PCS		8PCS	

STEP 3:

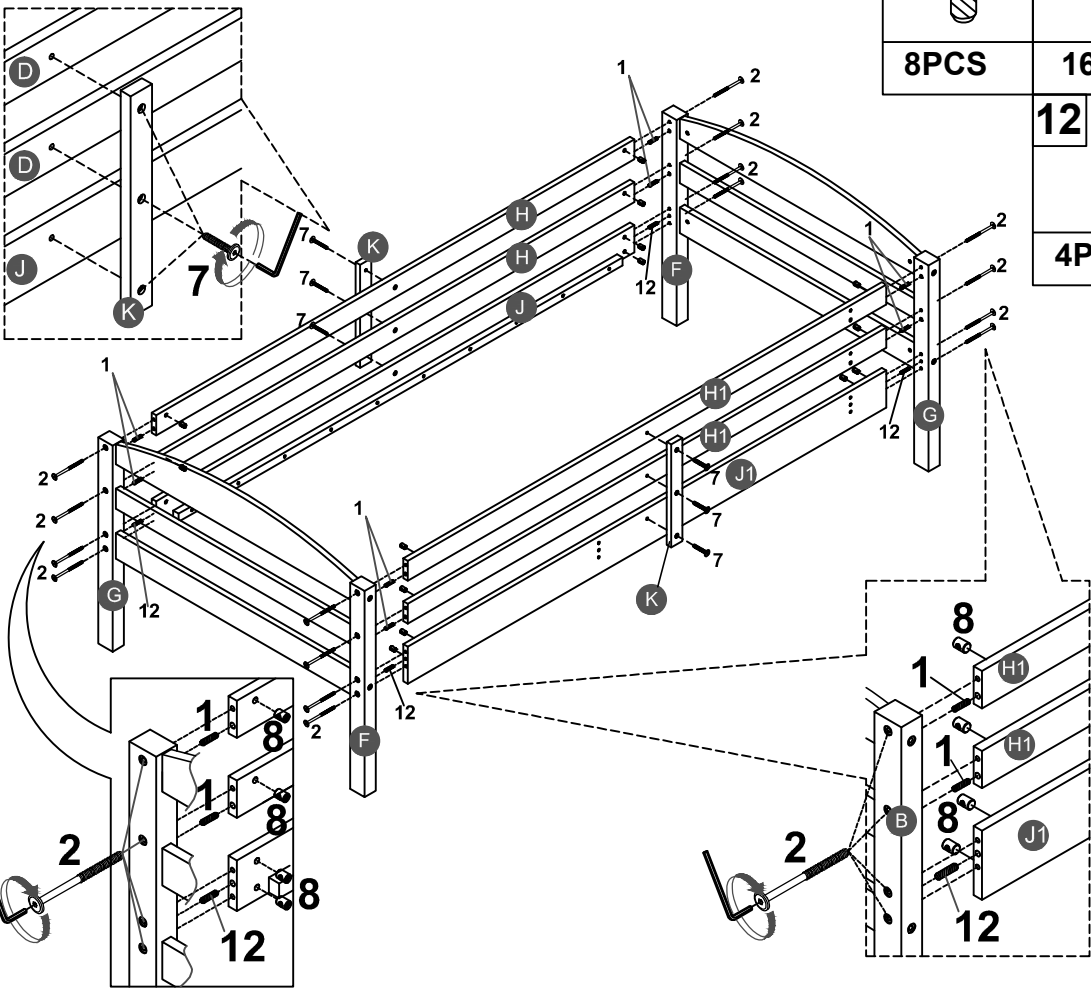


x3

2		8	
12PCS		12PCS	

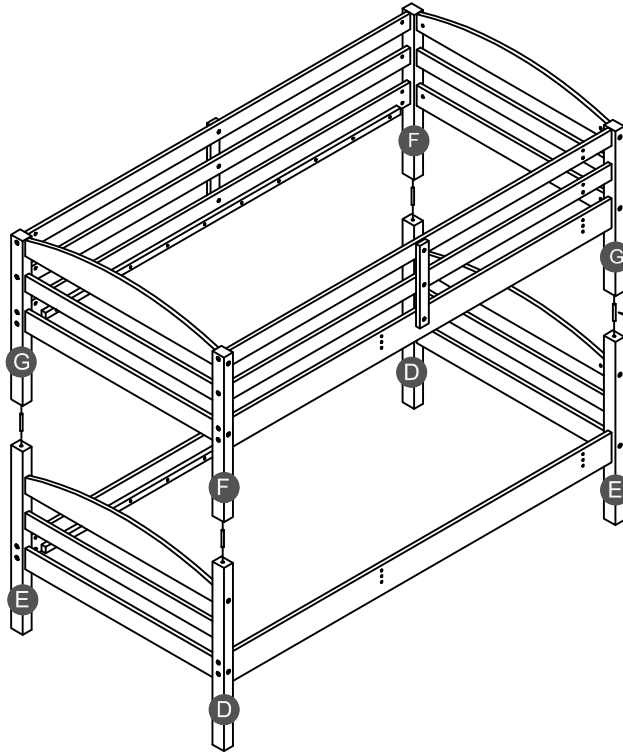



STEP 4:

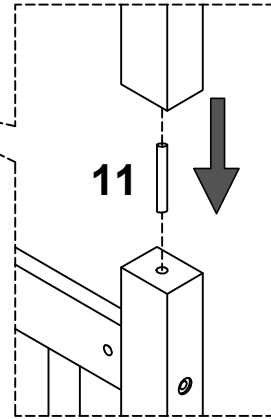


1		2		7	
8PCS		16PCS		6PCS	
12		8			
4PCS		16PCS			

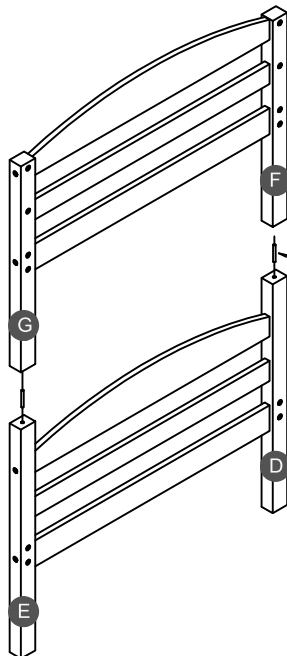
STEP 5:



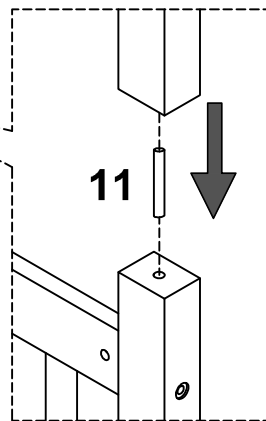
11 
4PCS



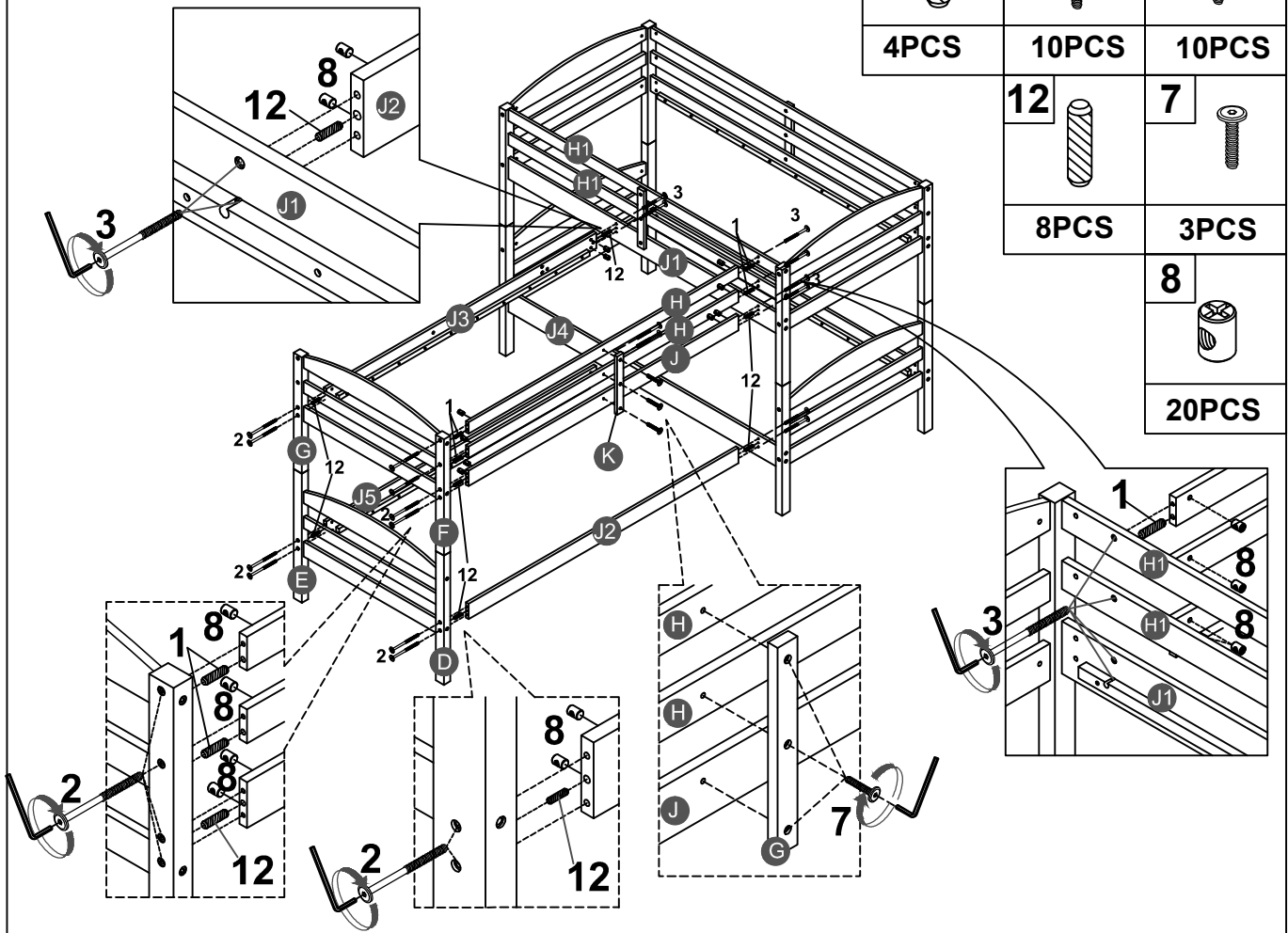
STEP 6:



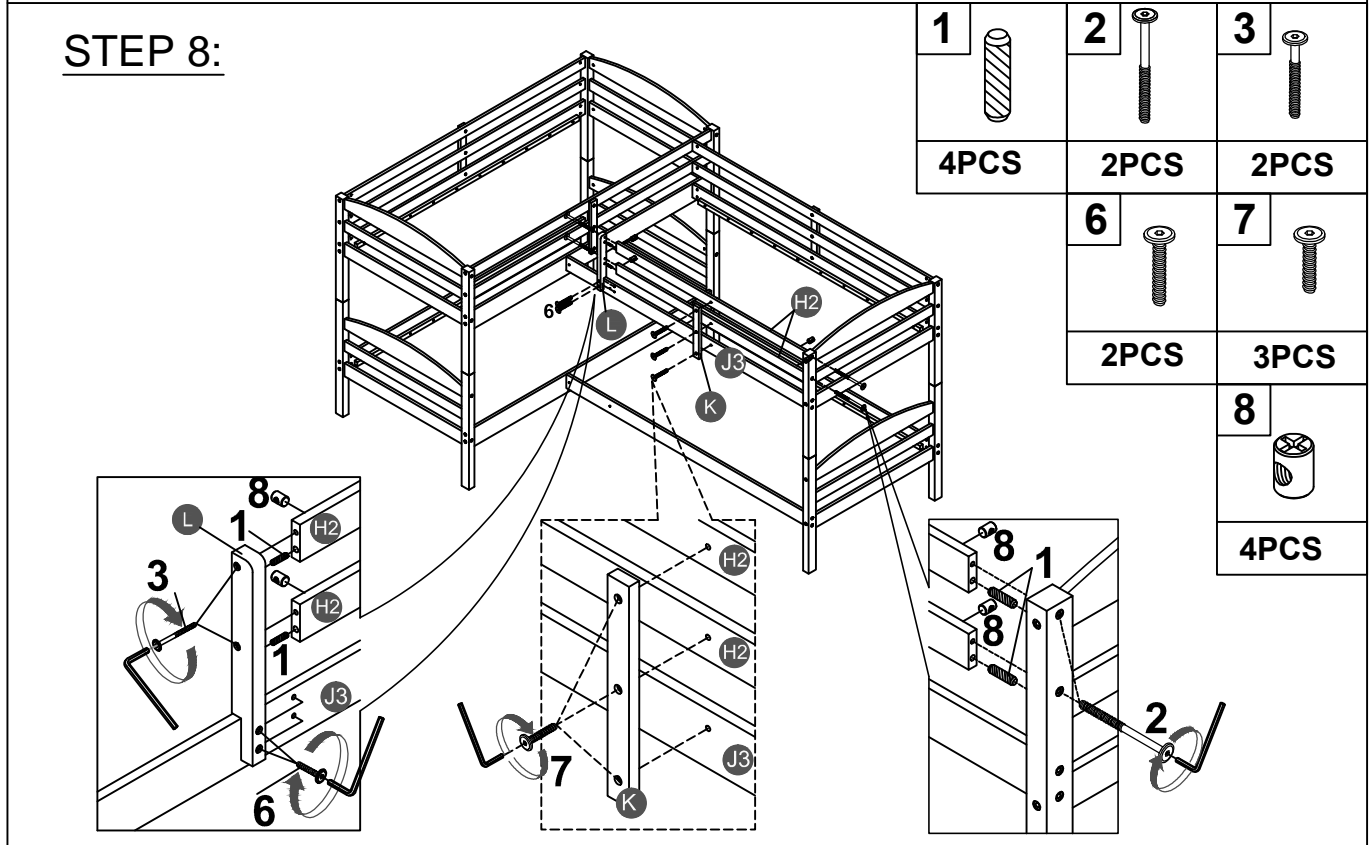
11 
2PCS



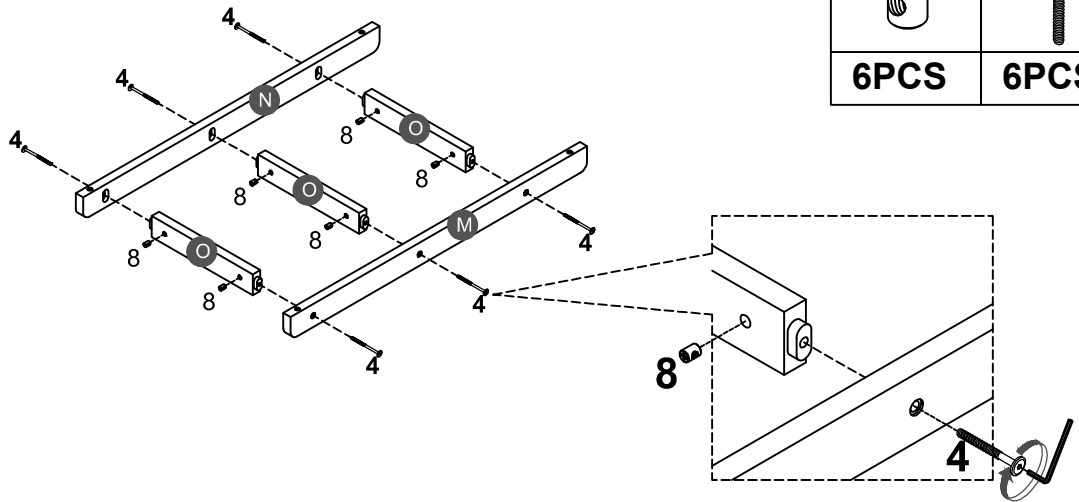
STEP 7:





STEP 8:

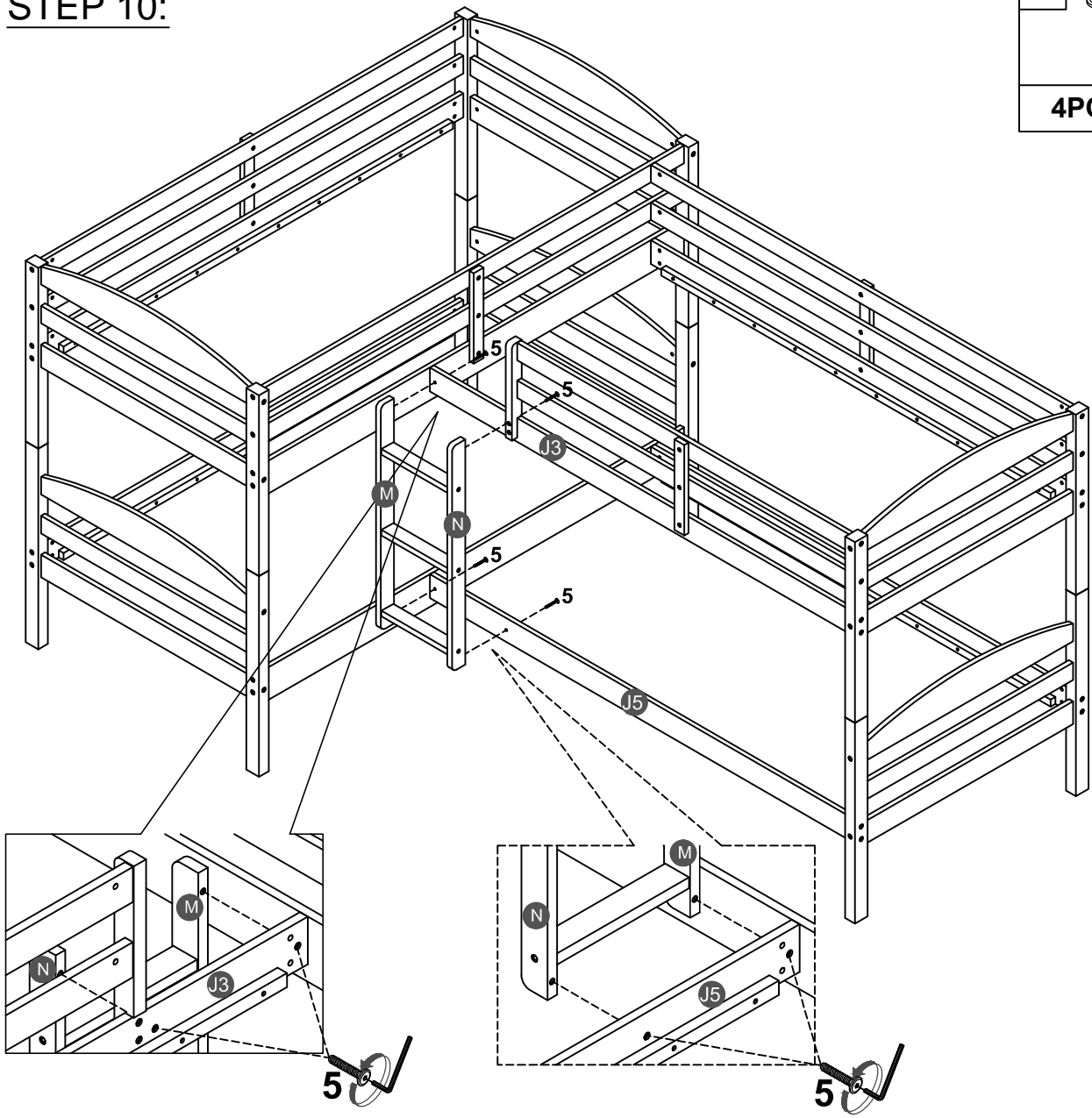



STEP 9:




8	4
	
6PCS	6PCS

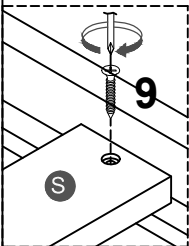
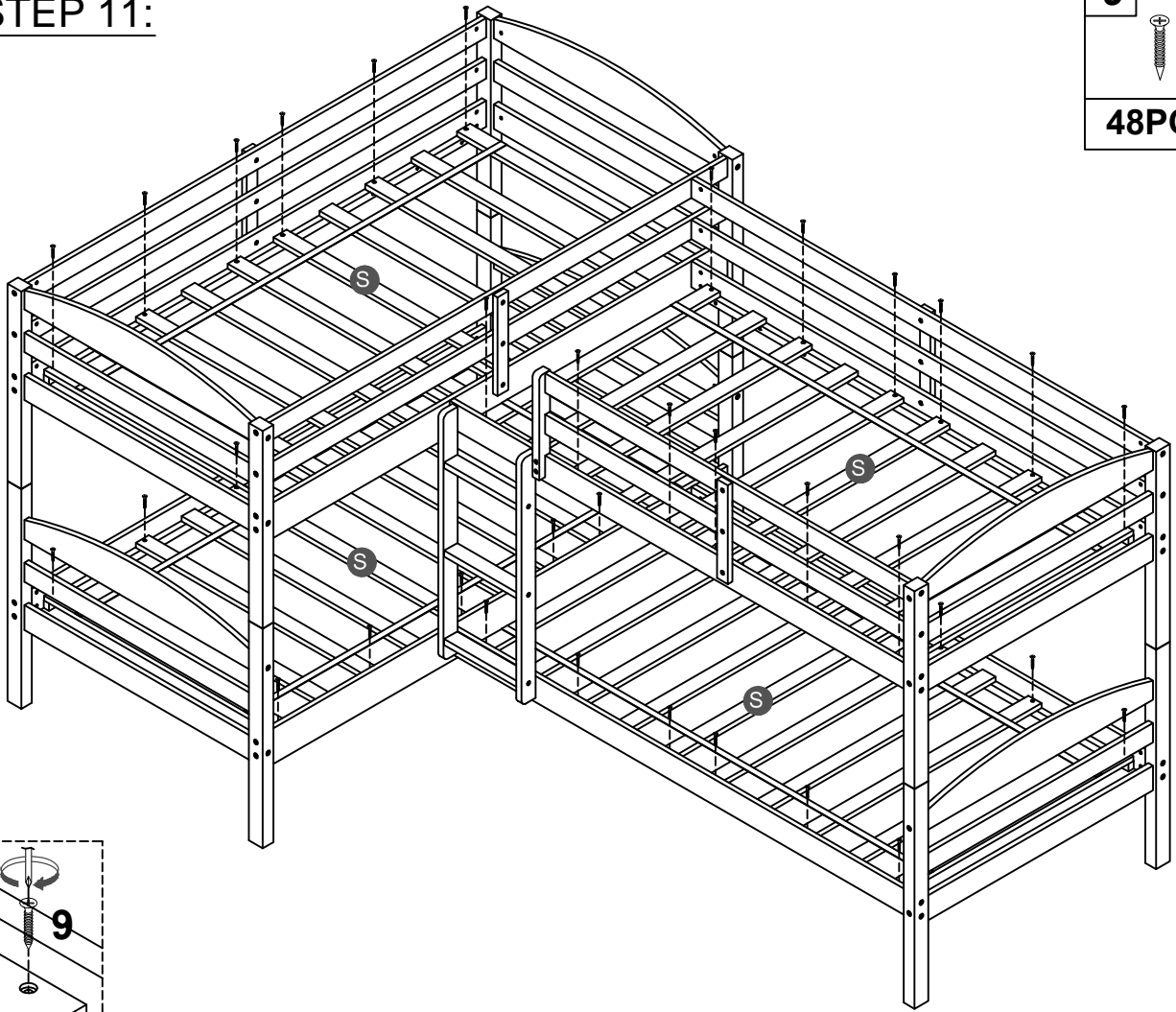
STEP 10:





5	
4PCS	

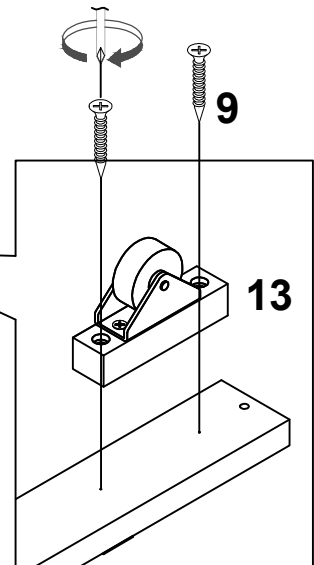
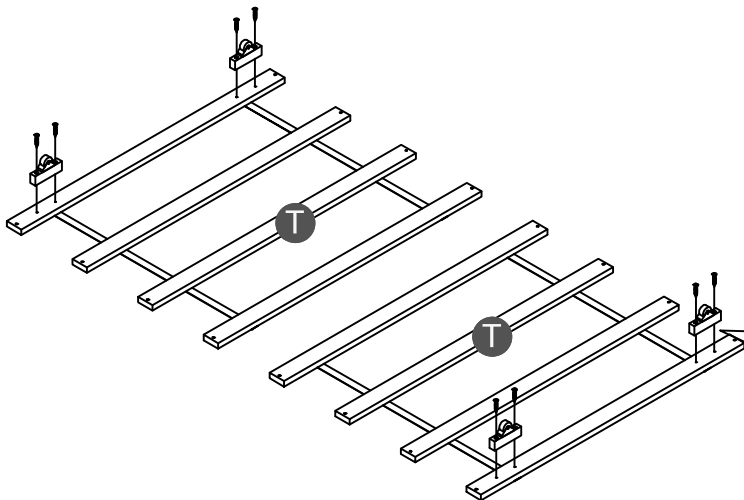
STEP 11:

9	
48PCS	



STEP 12:

13	9
	
4PCS	8PCS

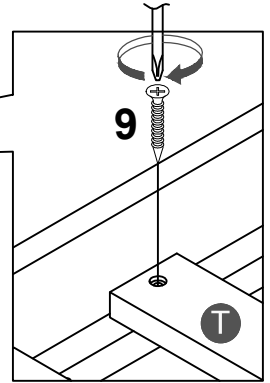
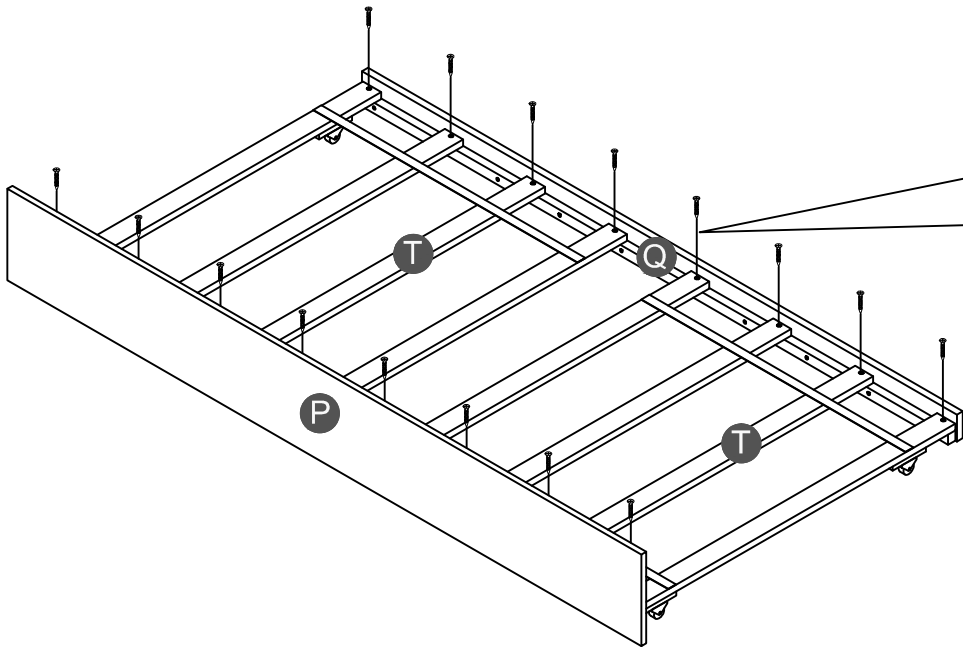


STEP 13:

9

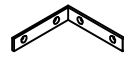


16PCS



STEP 14:

14

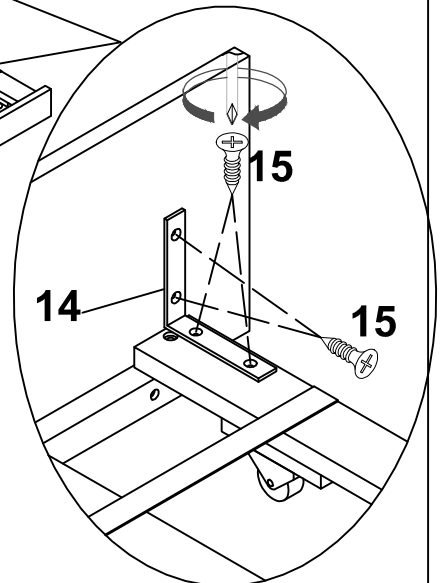
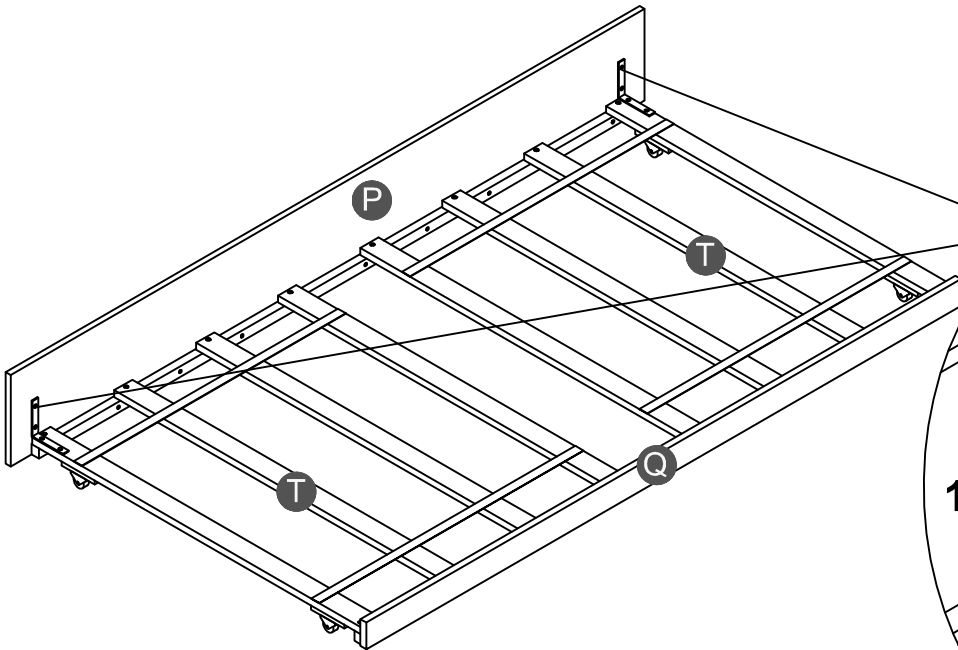


2PCS

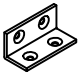
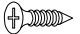
15

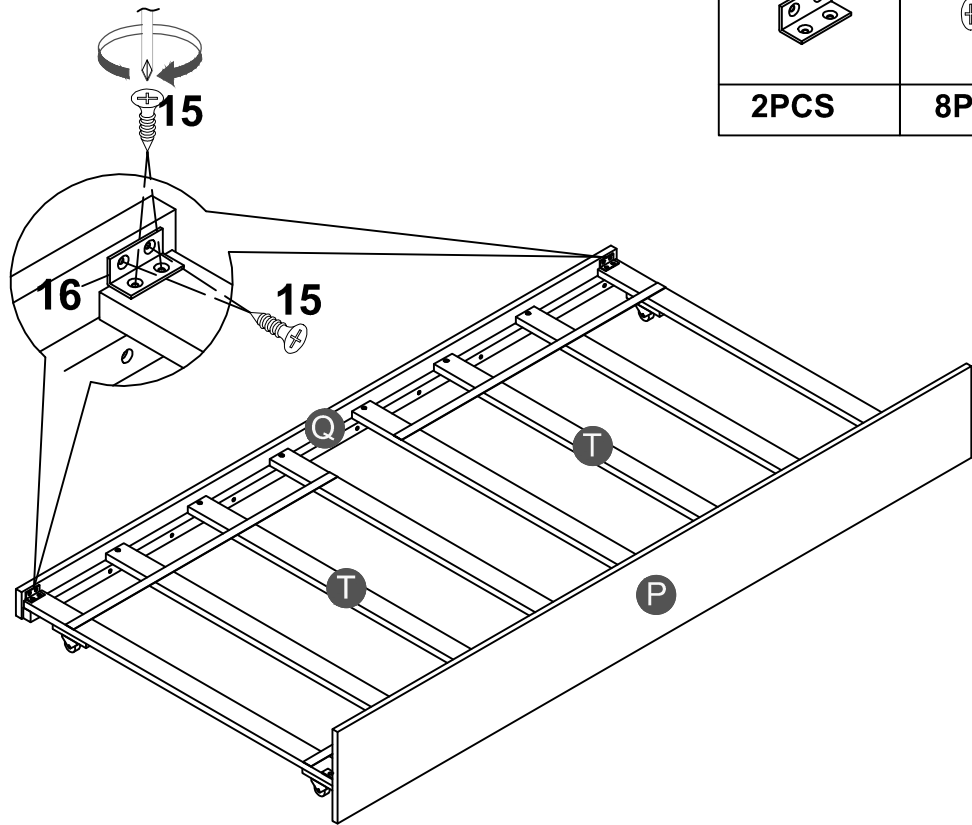


8PCS

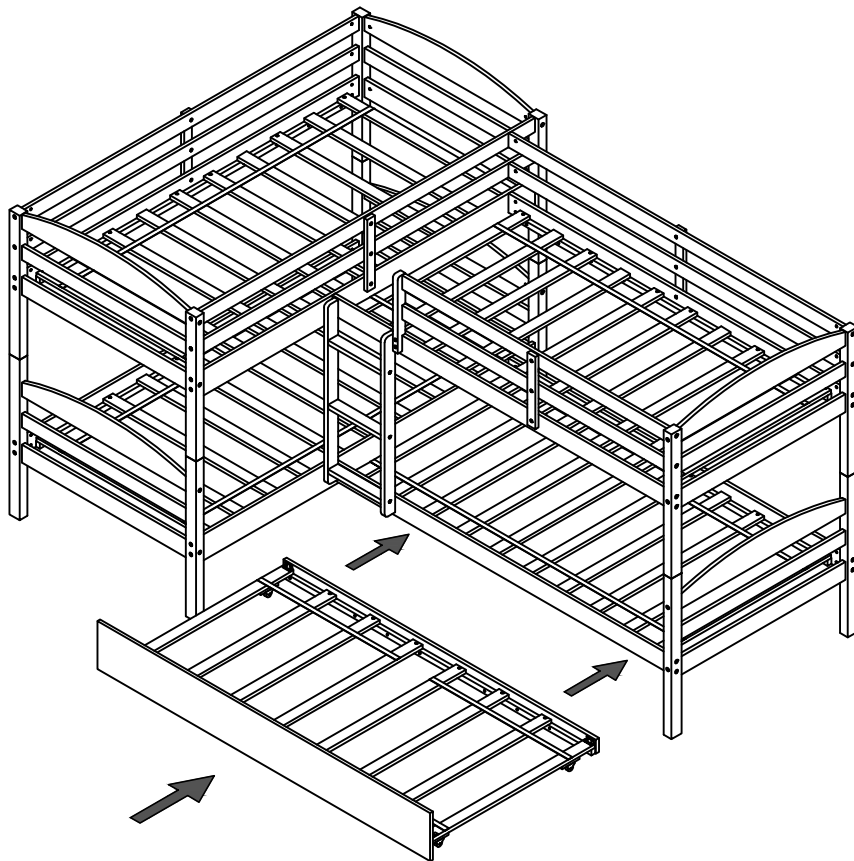


STEP 15:

16	15
	
2PCS	8PCS



STEP 16:



Push Trundle under the bottom of Bunkbed.