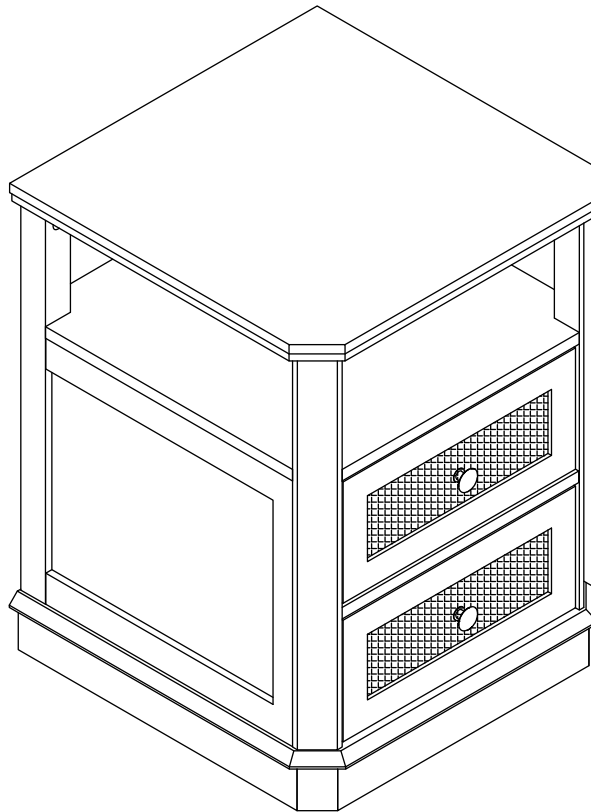


# ASSEMBLY INSTRUCTIONS

## End Table



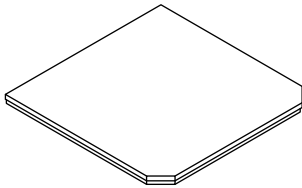
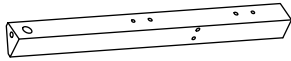
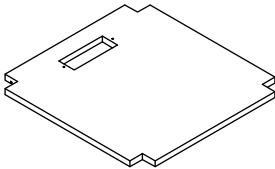
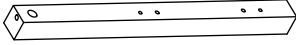
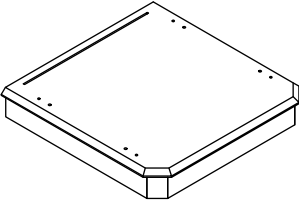

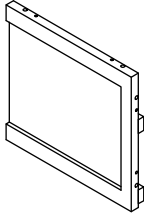
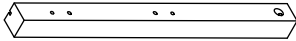
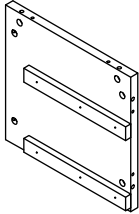
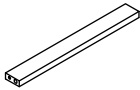
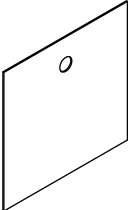
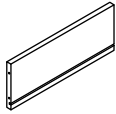
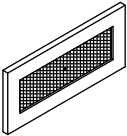
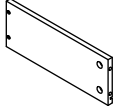
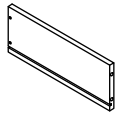
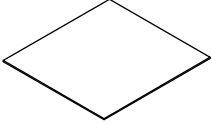
**MODEL : NT13**

Warm Tips:

The assembly process is both challenging and fun. Please be patient and follow the instructions **STEP BY STEP**. You will feel exactly proud of yourself when you finish!

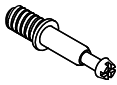
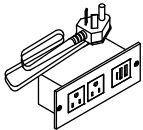
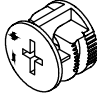








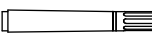

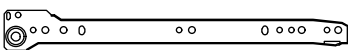

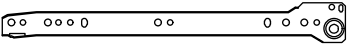
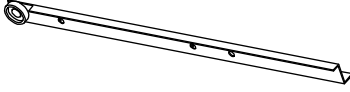

**Notice:**

1. Follow the installation instructions. Please confirm all accessories are preset before installation.
2. Do not fully tighten the screws during initial assembly. Fully tighten screws only once all pieces which are correctly assembled.
3. If you encounter any problems during installation, refer to two solutions: Follow the installation video tutorial on the Amazon product page or contact our customer service.

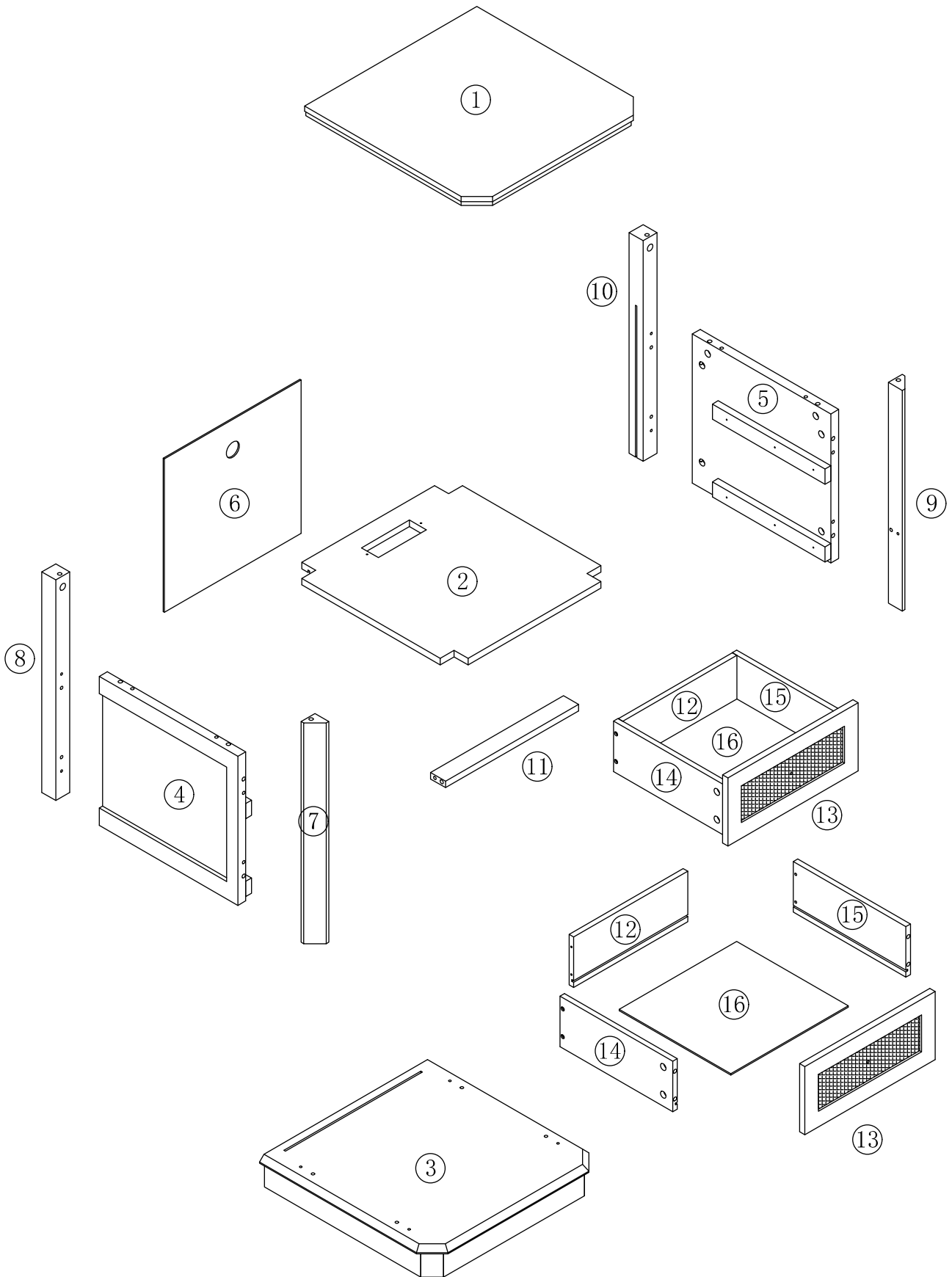
Item no.	Reference Image	Qty	Item no.	Reference Image	Qty
①		X1	⑦		X1
②		X1	⑧		X1
③		X1	⑨		X1
④		X1	⑩		X1
⑤		X1	⑪		X1
⑥		X1	⑫		X2
			⑬		X2
			⑭		X2
			⑮		X2
			⑯		X2

**Notice:**

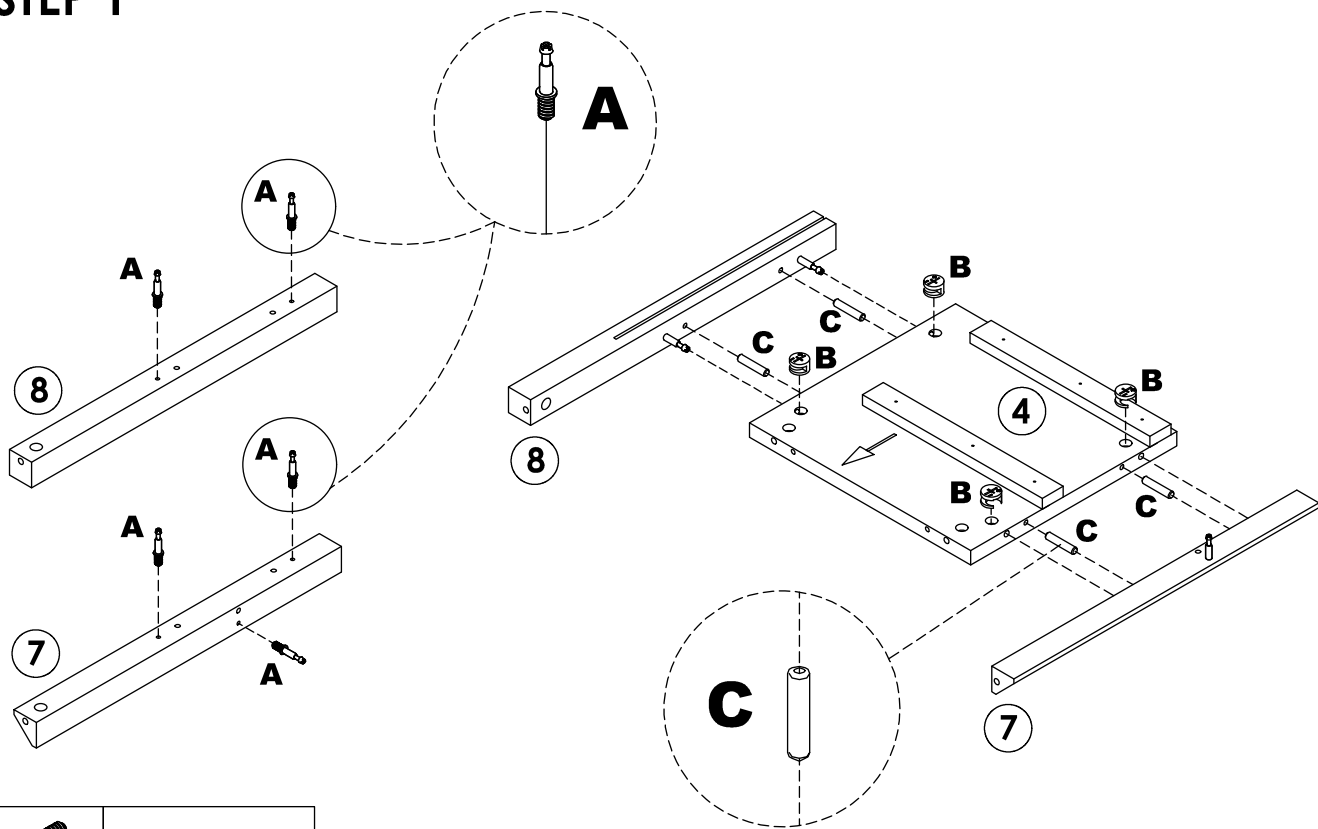
1. Follow the installation instructions. Please confirm all accessories are preset before installation.
2. Do not fully tighten the screws during initial assembly. Fully tighten screws only once all pieces which are correctly assembled.
3. If you encounter any problems during installation, refer to two solutions: Follow the installation video tutorial on the Amazon product page or contact our customer service.




Item no.	Reference Image	Qty	Item no.	Reference Image	Qty
A		X27	I		X1
B		X27	J		X4
C	 Ø6*30mm	X19	K	 Ø3*17mm	X4
D	 4*35mm	X8	L	 Ø3.5*12mm	X2
E		X2			X1
F	 4*14mm	X2			X1
G	 Ø3*12mm	X25	CL		X2
H	 4*40mm	X4	CR		X2
			DL		X2
			DR		X2

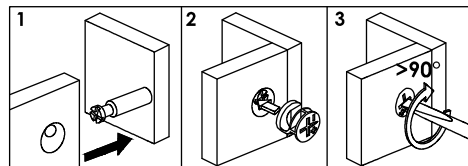
# Explosion Diagram



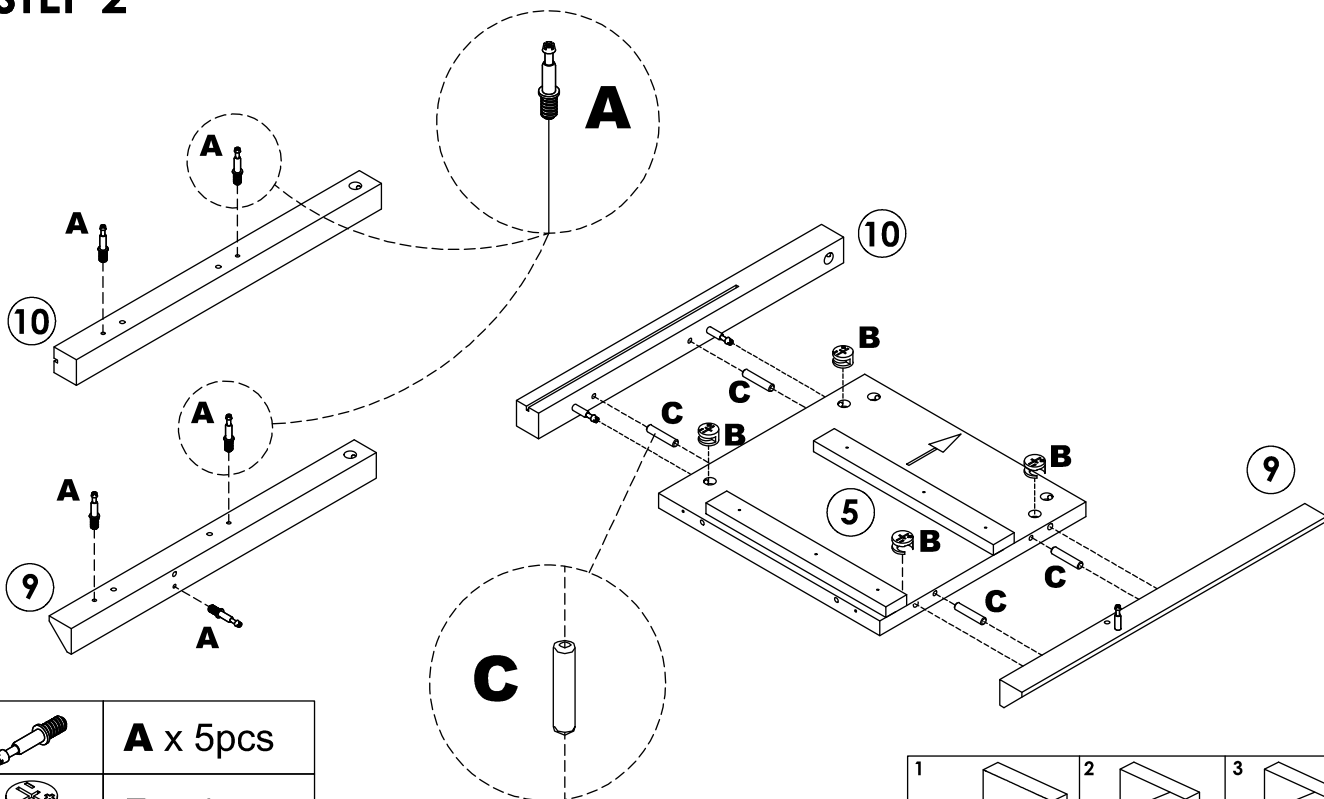
# STEP 1






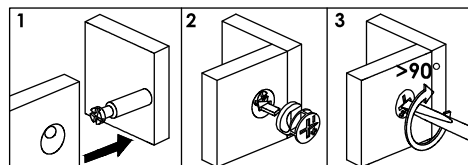
	<b>A</b> x 5pcs
	<b>B</b> x 4pcs
	<b>C</b> x 4pcs



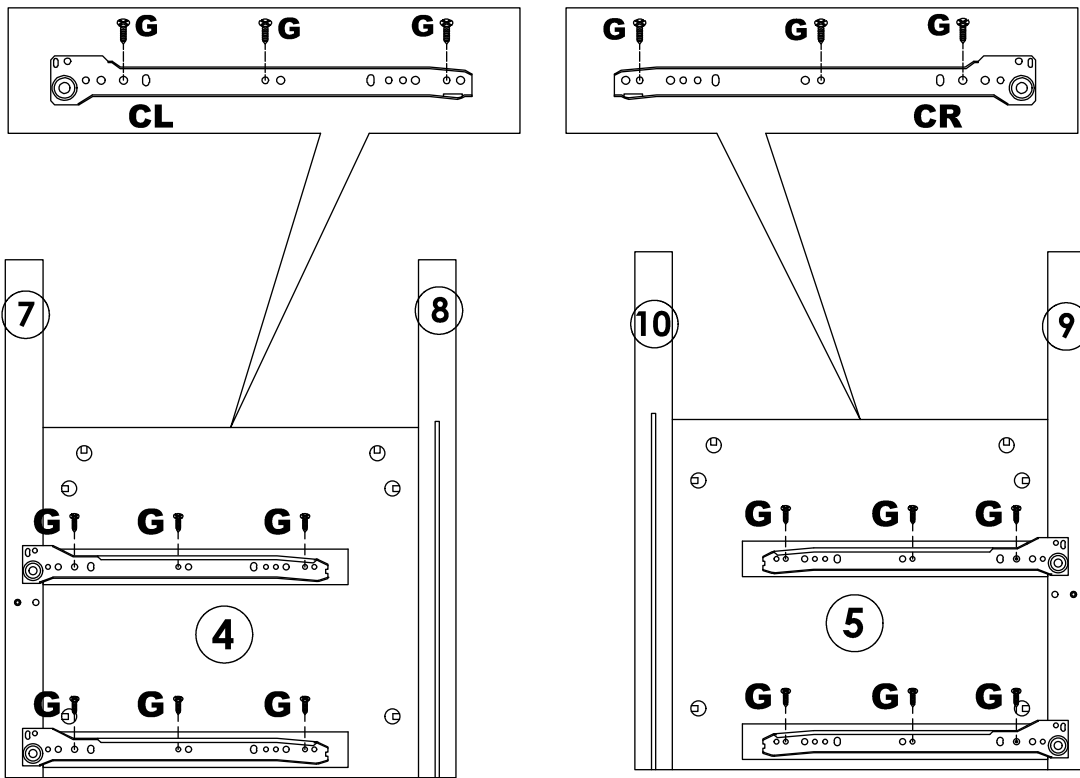
# STEP 2


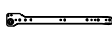
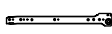


	<b>A</b> x 5pcs
	<b>B</b> x 4pcs
	<b>C</b> x 4pcs

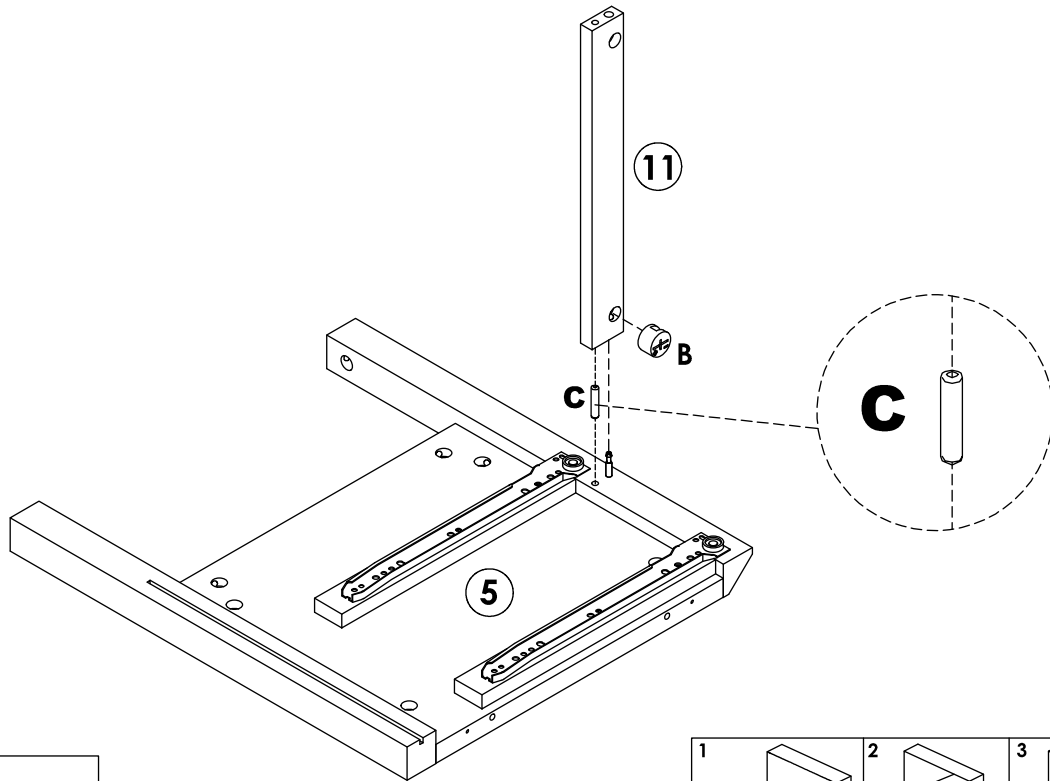




### STEP 3

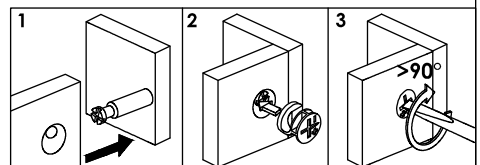


	<b>G</b> x 12pcs
	<b>CL</b> x 2pcs
	<b>CR</b> x 2pcs

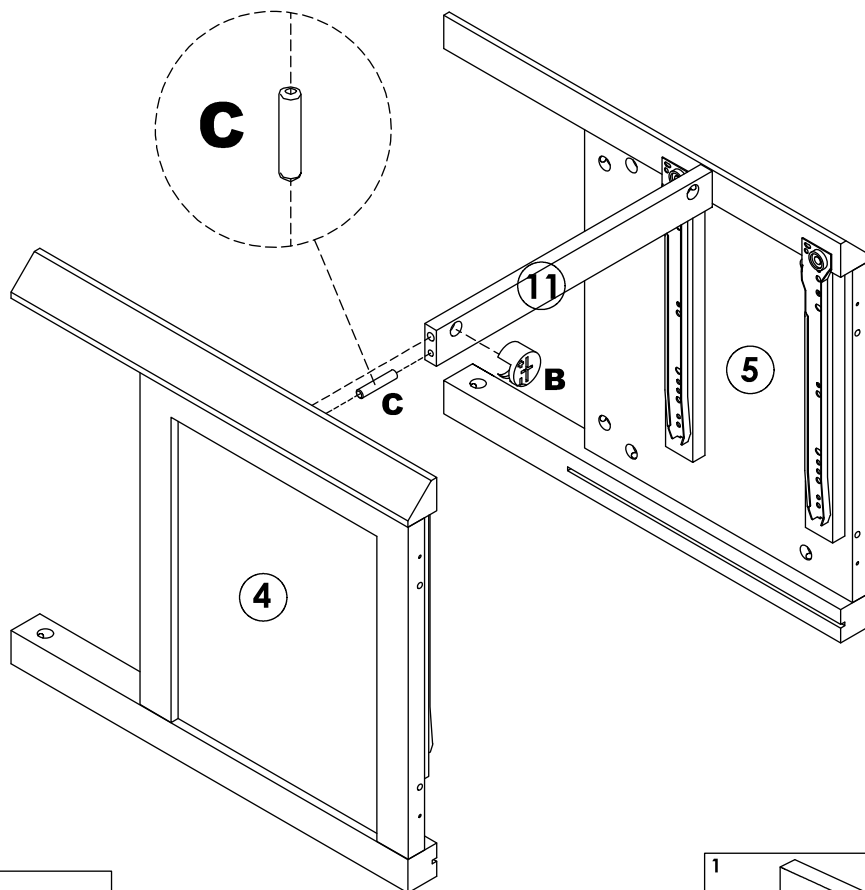
### STEP 4





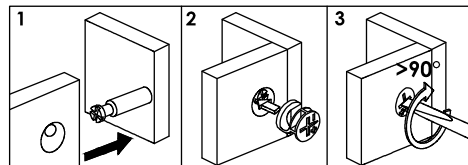
	<b>B</b> x 1pcs
	<b>C</b> x 1pcs



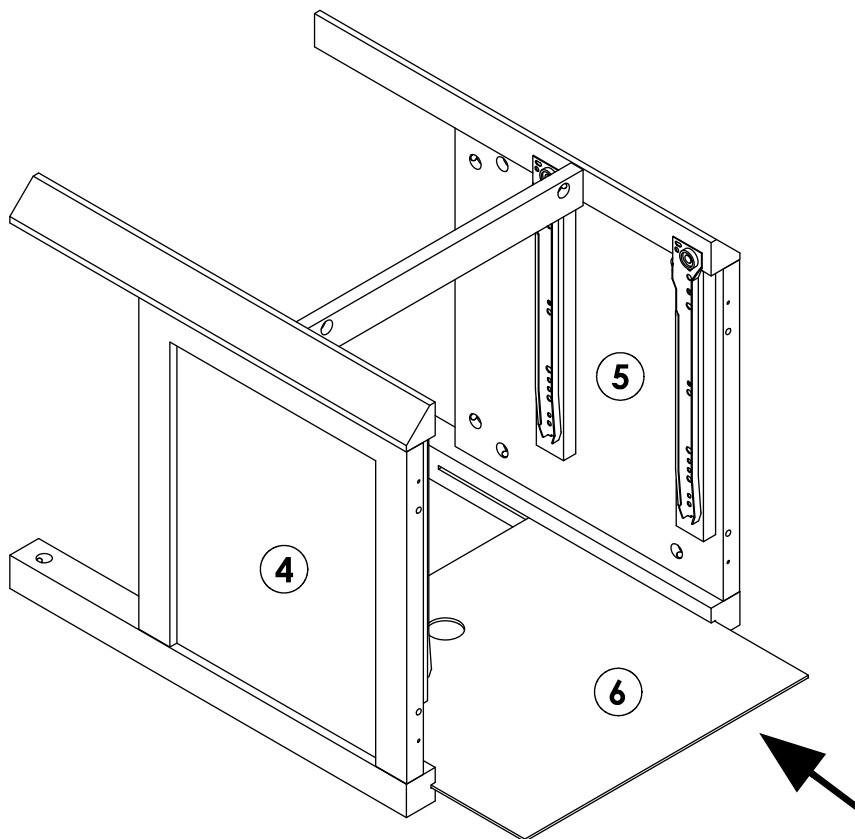
# STEP 5



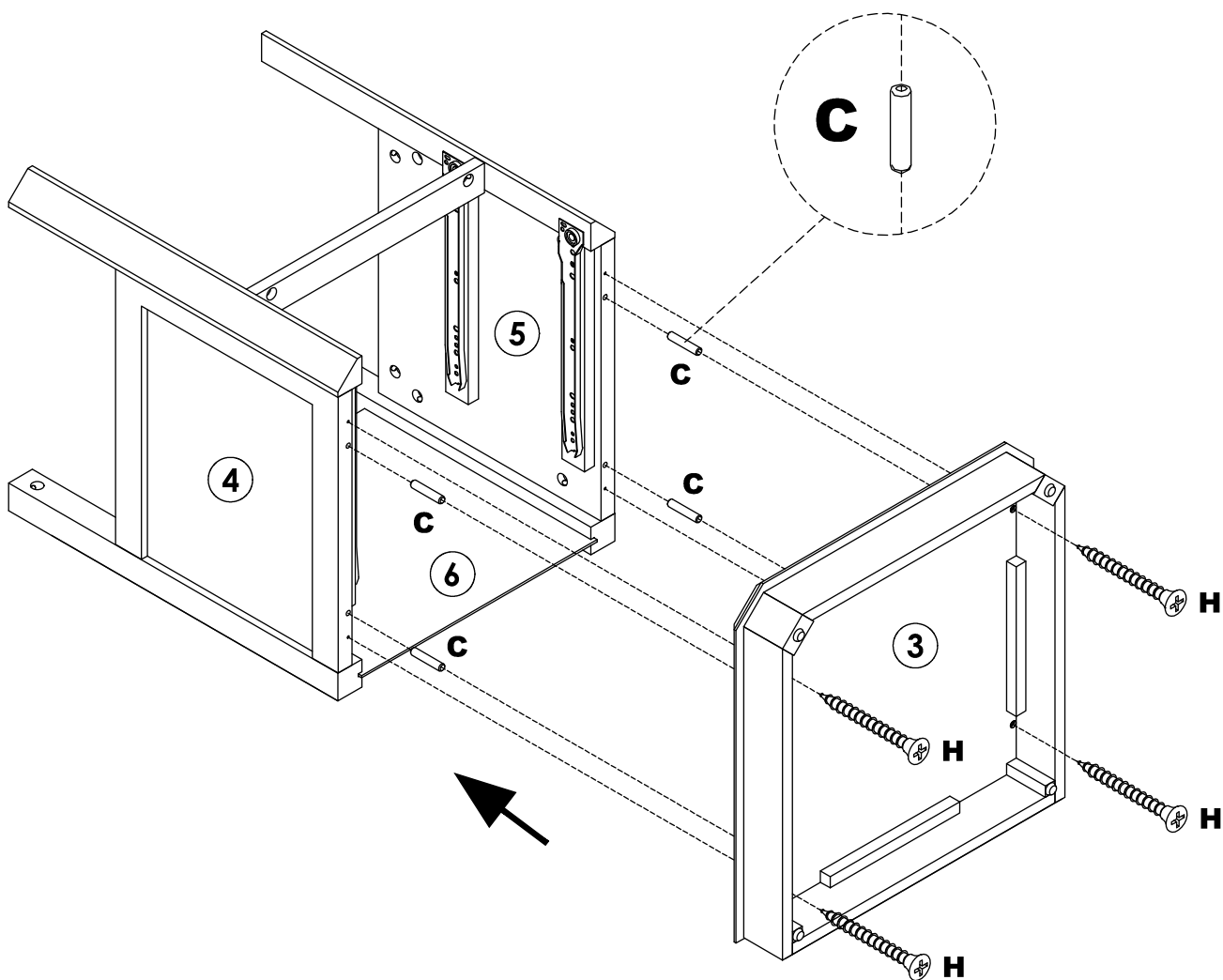
	<b>B</b> x 1pcs
	<b>C</b> x 1pcs

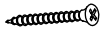
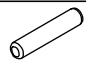


# STEP 6

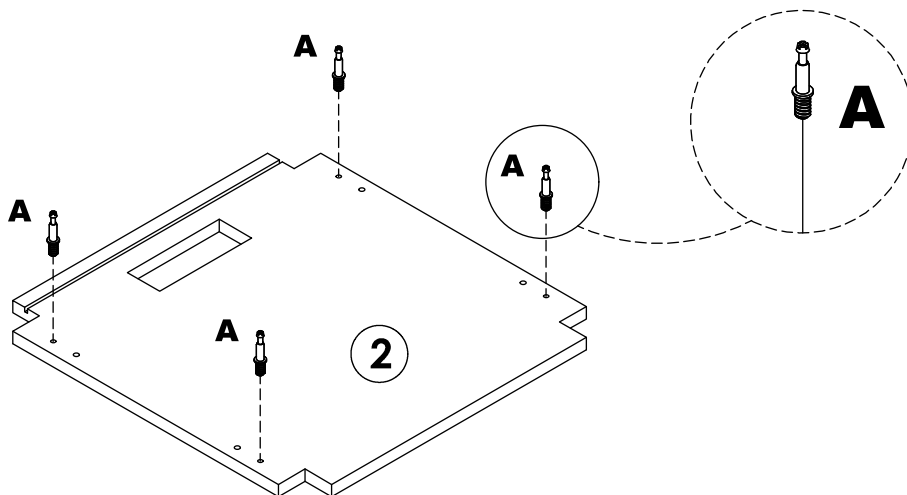



# STEP 7



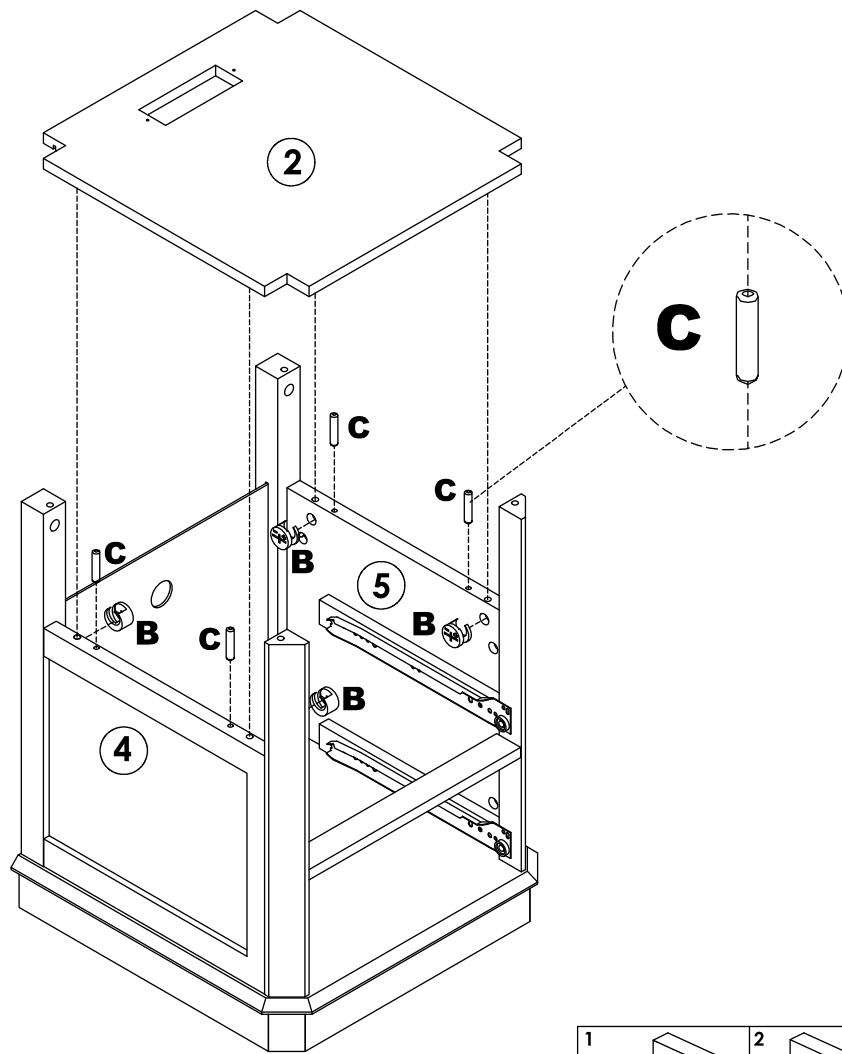
	<b>H</b> x 4pcs
	<b>C</b> x 4pcs


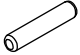
# STEP 8

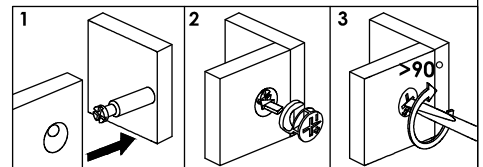


	<b>A</b> x 4pcs
---	-----------------

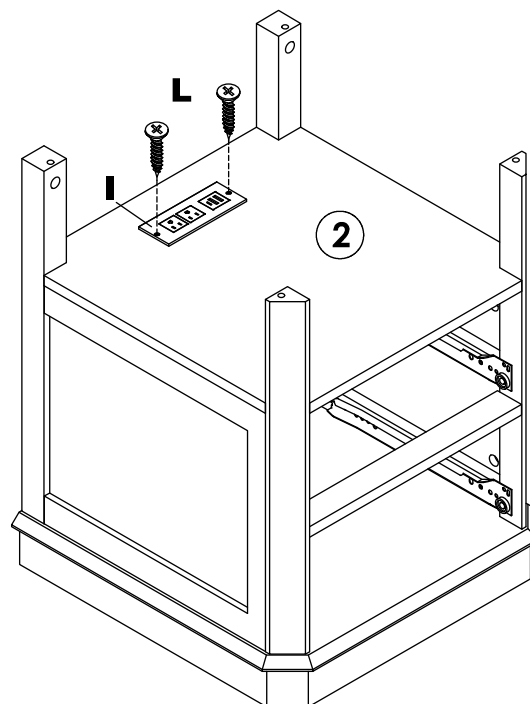
# STEP 9

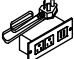



	<b>B</b> x 4pcs
	<b>C</b> x 4pcs

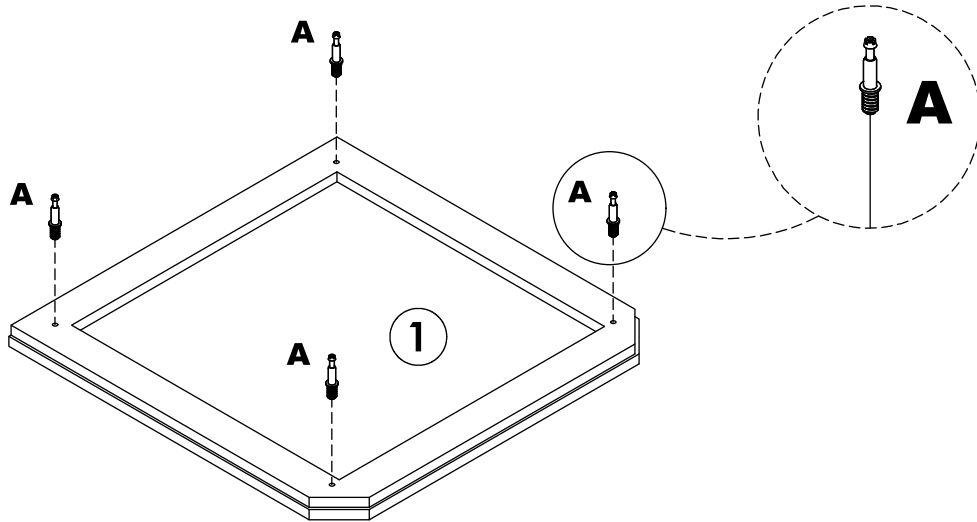


# STEP 10



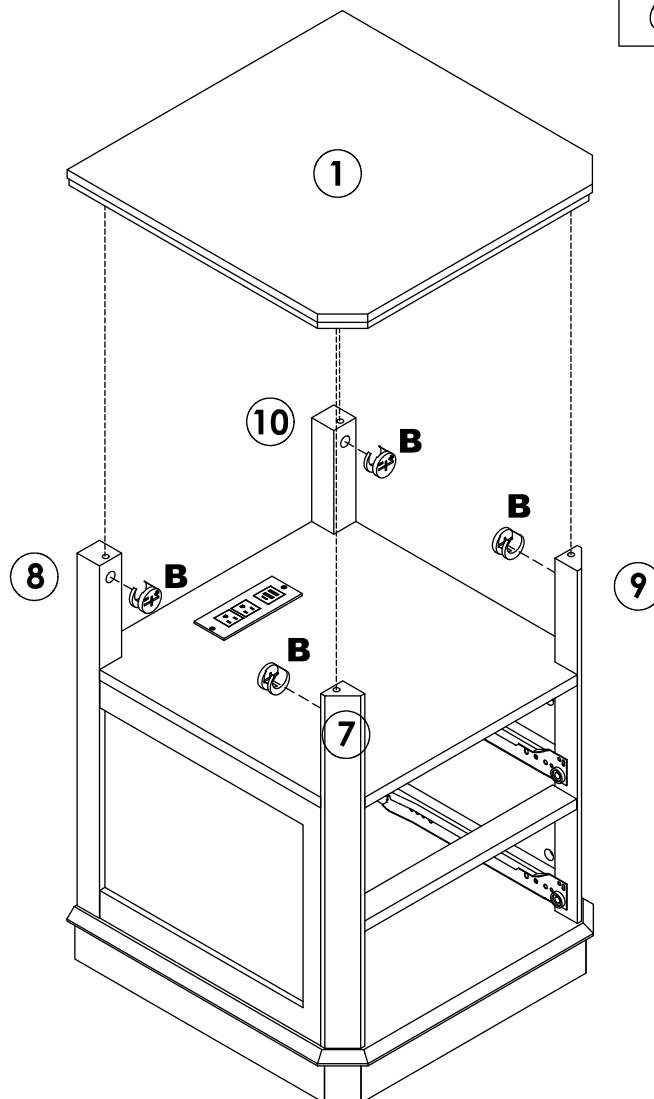
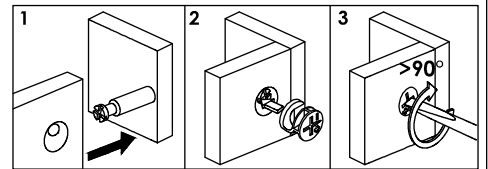
	<b>I</b> x 1pcs
	<b>L</b> x 2pcs

# STEP 11



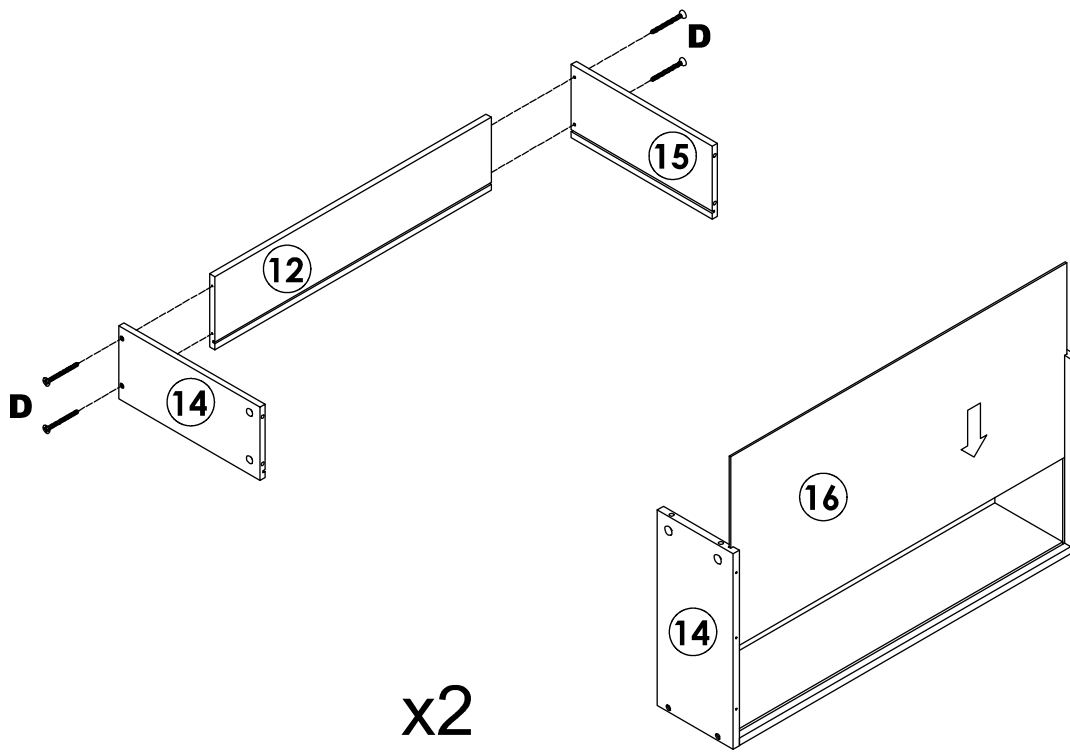
**A** x 4pcs

# STEP 12



**B** x 4pcs

# STEP 13

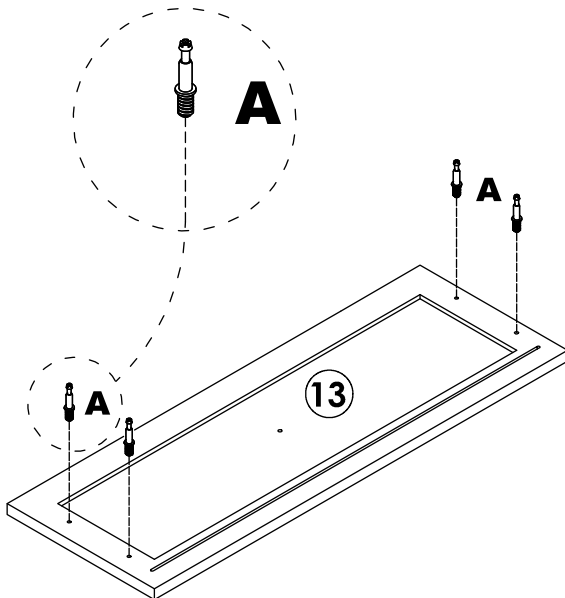
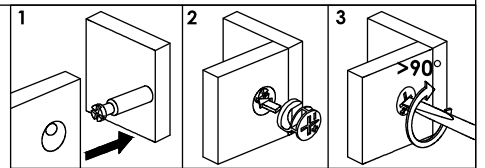


x2

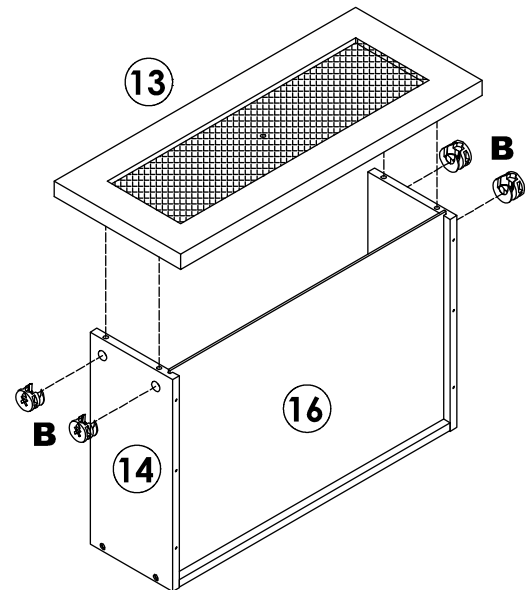


**D** x 8pcs

# STEP 14



x2

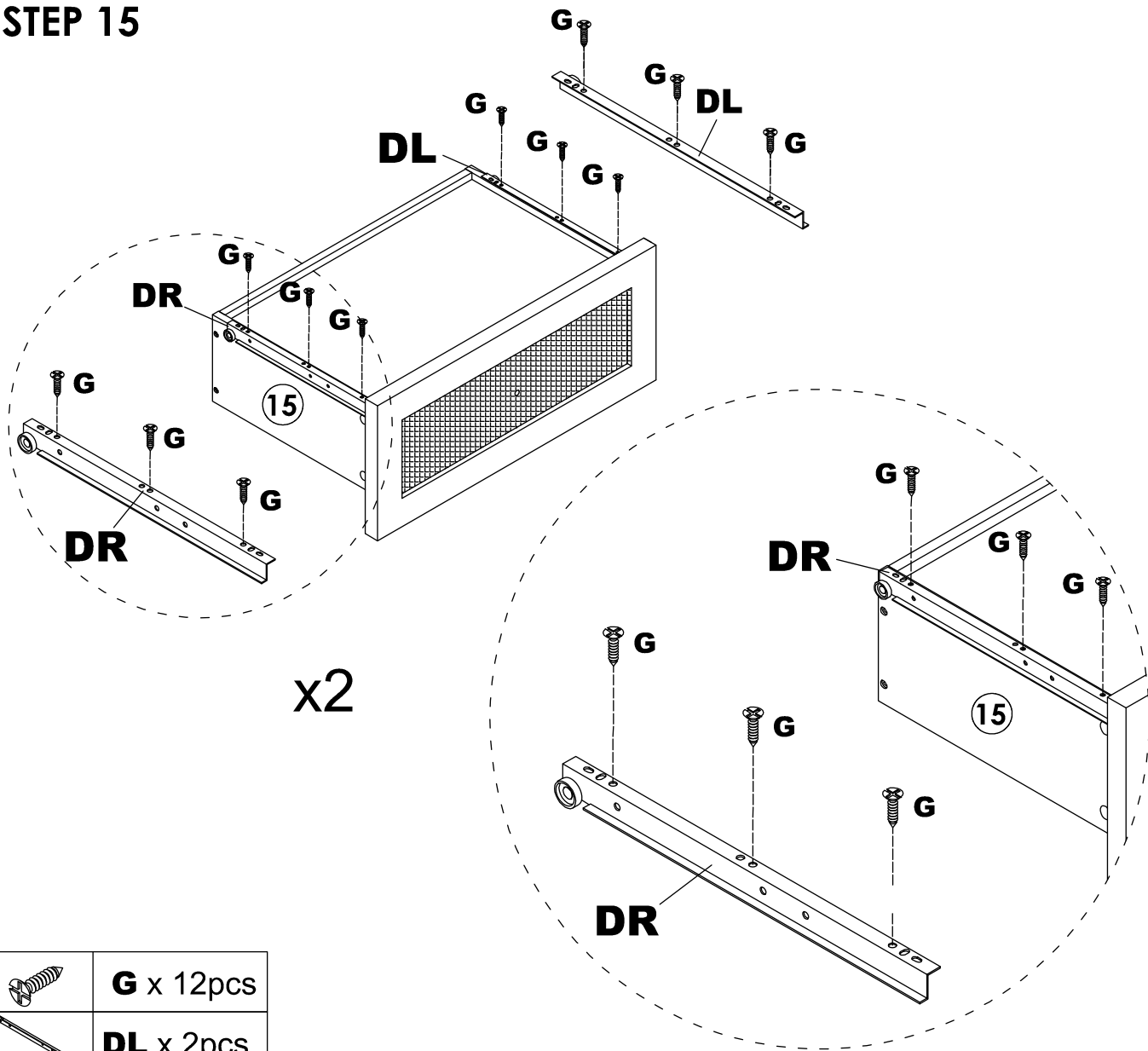





**A** x 8pcs



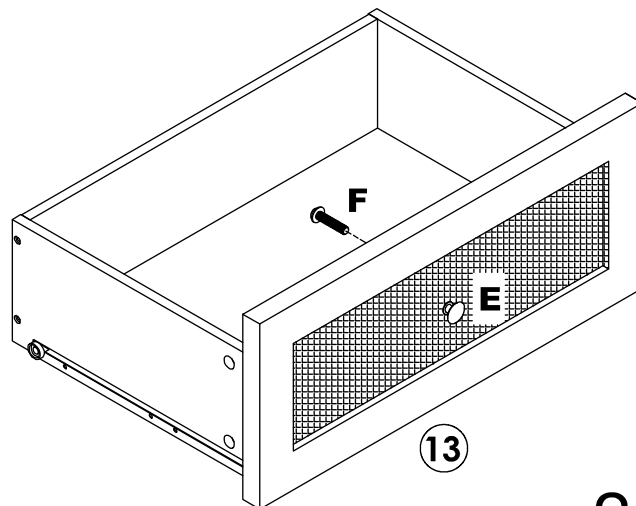
**B** x 8pcs



# STEP 15



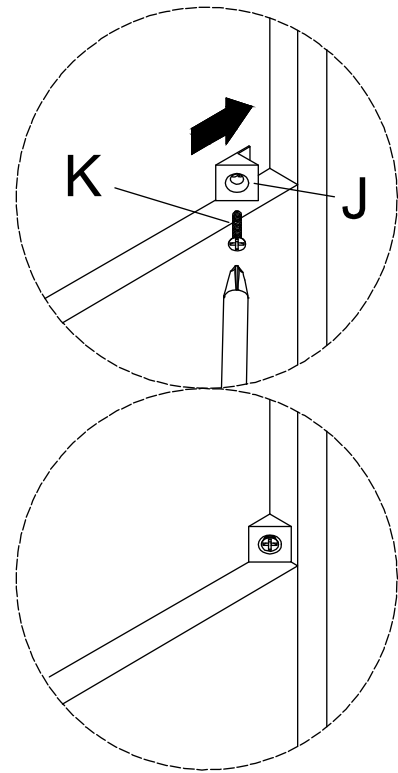
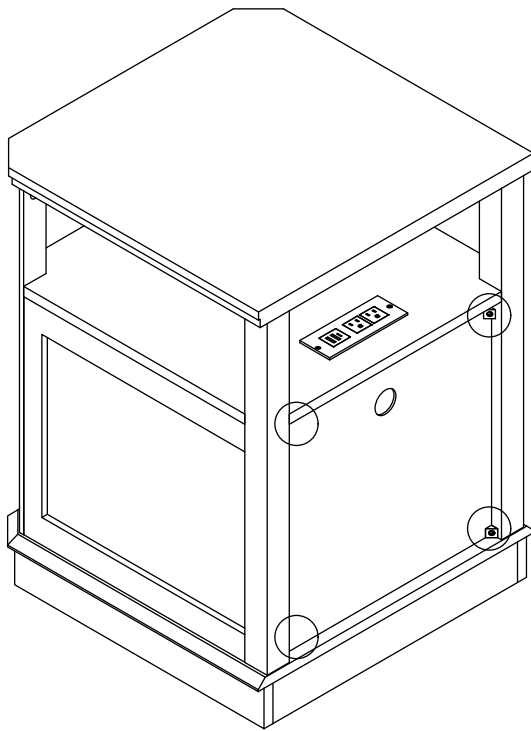
	<b>G</b> x 12pcs
	<b>DL</b> x 2pcs
	<b>DR</b> x 2pcs

# STEP 16



	<b>E</b> x 2pcs
	<b>F</b> x 2pcs

## STEP 17

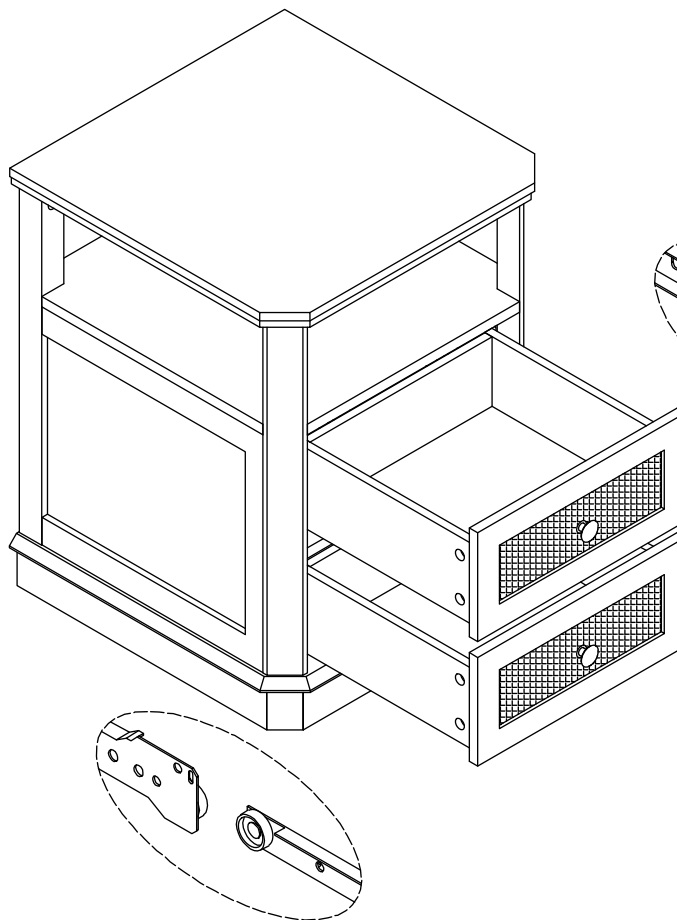


**J** x 4pcs



**K** x 4pcs

## STEP 18



### **NOTE:**

If the drawer does not go in smoothly, please make sure you tighten the screws to the bottom.

# WARRANTY CARD

## ⦿ Your warranty includes

- **30 Days Money Back Guaranty**

Within the first 30 days of your purchase, you are allowed to return your product for a full refund.

- **30 Days to 3 Months(6 Months)**

We will replace the defective unit due to manufacturer fault with a new one. (You will receive extra 3 Months warranty if you register on our website.)

- **3 Months to 24 Months**

Within 24 Months, we will provide timely and effective online after-sales service after your purchase.

## ⦿ How to return your Orfeld Products

- Contact Aftersales@bowentech.cn with your order number.
- We will issue you RMA # and return address for your return.
- Please fill out RMA info, tear off this page and leave it inside your return package.
- We will issue replace / return after receiving your return.

## ⦿ Return product details

To get your returns processed as quickly as possible, please fill this form and include it in your return package.

Purchase Name	
Order Number	
Date of Purchase	
Your Email Address	
Where did you buy it	

\* If your product is purchased from Amazon Fulfilled channel, please contact Amazon for your return within 30 days of purchase.

Email: Aftersales@bowentech.cn

**MADE IN CHINA**



NT13 ASSEMBLY INSTRUCTIONS