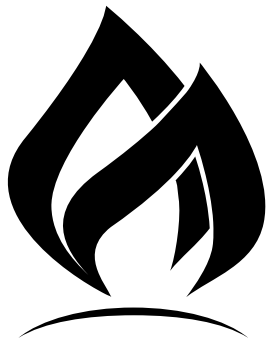


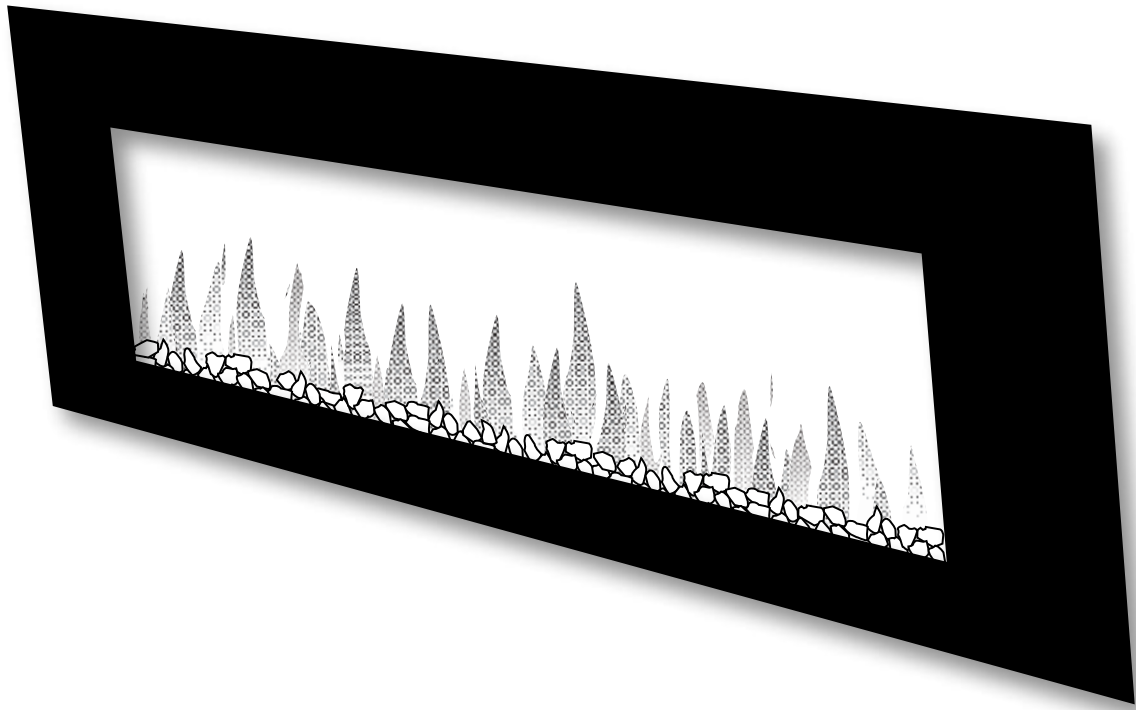


PO: _____

Lot: _____



realflame[®]
f i r e p l a c e s



50" DiNatale Wall-Mounted Fireplace

Model # 1330

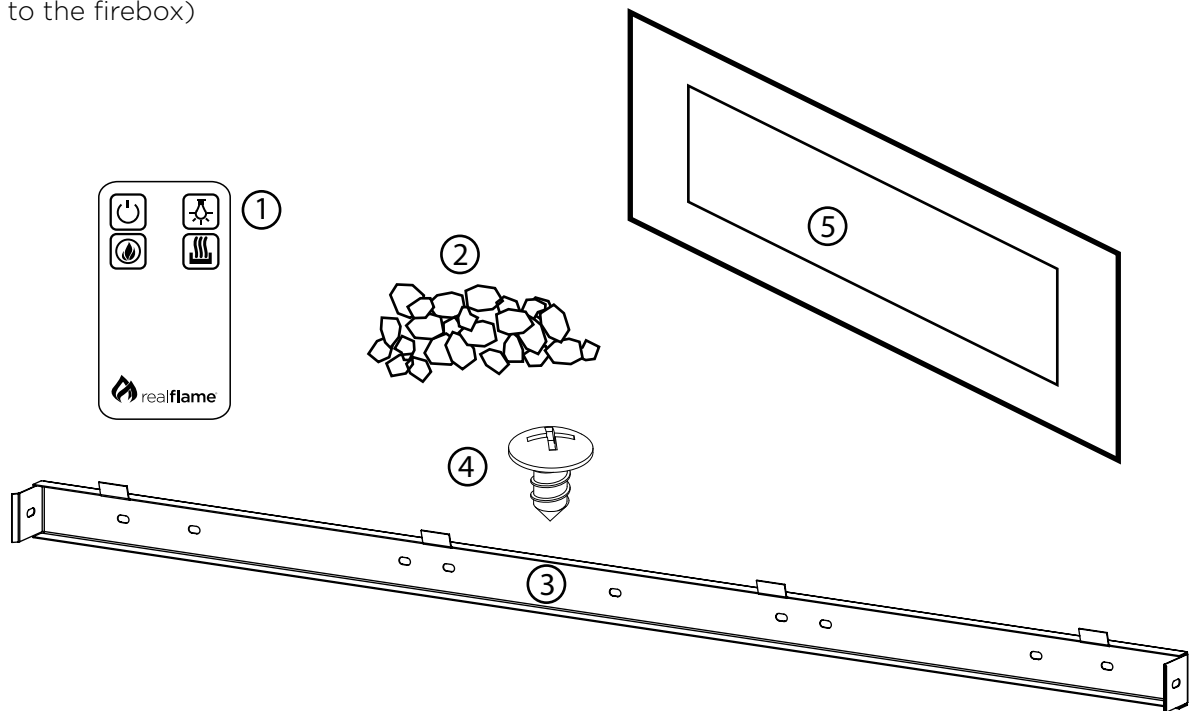
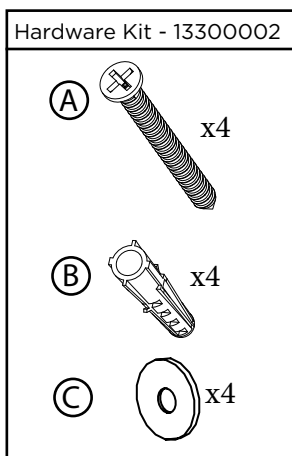
English • Français • Español

TABLE OF CONTENTS

Parts List	2
Important Safety Instructions	3
Site Selection and Preparation	5
Installation	6
Operation and Features	12
Care and Maintenance	15
Warranty	16

PARTS LIST

Part Name	Part No.	Qty.	Part Name	Part No.	Qty.
① Remote control	13300001	1	④ Mounting screws (Note: Attached to the firebox)		12
② Crushed glass	13300004	1 box (1.4 kg)	⑤ Glass front panel	13300005	1
③ Mounting bracket (Note: Attached to the firebox)	13300003	1			



NOTE

Tools required: level, electric drill, drill bits [8mm (5/16in)], Phillips screwdriver, hammer, safety goggles and gloves.

IMPORTANT SAFETY INSTRUCTIONS

SAVE THIS USER'S GUIDE FOR FUTURE REFERENCE

When using electrical appliances, basic precautions should always be followed to reduce the risk of fire, electric shock, injury or death.

Read all instructions before installing or using this fireplace


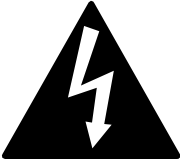



1. Electric fireplace is for indoor use only.
2. Do not modify the electric heater in any way. Use it only as described in this manual. Any other use not recommended by Real Flame may cause a fire, electric shock, serious injury or death.
3. The heater may become hot when in use and could burn you. To avoid burns, do not let bare skin touch hot surfaces. **Keep combustible materials, such as furniture, pillows, bedding, papers, clothes, and curtains at least 3 feet (0.9m) from the top, sides and rear of the unit.**
4. Always use properly grounded, fused and polarized outlets.
5. Always call a certified electrician if new circuits or outlets will be required.
6. Extreme caution is necessary when any heater is used by, or near, children or people with disabilities. The unit should never be left unattended.
7. The electric heater is not intended for use in bathrooms, laundry areas and similar indoor locations. Never locate heater where it may fall into a bathtub or in other areas where it may come into contact with water; dangerous electric shock could occur.
8. Do not operate any unit with a damaged cord or plug, or if the heater has malfunctioned, or if the fireplace has been dropped or damaged in any manner. Contact Real Flame at 1-800-654-1704.
9. The cord may become hot when the fireplace is in operation. Do not run the cord under carpeting, furniture, or appliances. Do not cover cord with throw rugs, runners, or similar items.
10. To prevent people from tripping on the cord, make sure it is placed away from high traffic areas.
11. Do not insert or allow foreign objects to enter any ventilation or exhaust opening as this may damage the heater or result in electric shock.
12. To prevent a possible fire, do not block air intake or exhaust in any manner. Do not use on soft surfaces, like a bed, where openings may become blocked.
13. All electrical heaters have hot, arcing or sparking parts inside. Do not use in areas where gasoline, paint, or flammable liquids are used or stored or where the unit will be exposed to flammable vapors. Doing so could result in a fire or cause an explosion.
14. Do not burn wood or other materials in the electric heater; the unit or the wall could catch fire if you do.
15. To disconnect the unit, turn the firebox off and then remove the plug from the outlet.
16. Always unplug the electric heater when not in use for an extended period of time.


Glass Panel Information

1. The panel is made of tempered glass.
2. Under no circumstances should this product be operated with a broken or chipped glass panel.
3. Do not hit or slam the glass.
4. Do not use abrasive cleaners to clean the glass.

IMPORTANT SAFETY INSTRUCTIONS (Cont'd.)

SAVE THESE INSTRUCTIONS


 WARNING	
	<ul style="list-style-type: none">•Risk of electric shock•Do not open•Non-user serviceable parts inside
DESCRIPTIONS OF WARNINGS	
 NOTE	Procedures and techniques that are considered important enough to emphasize.
 CAUTION	Procedures and techniques which, if not carefully followed, will result in damage to the equipment.
 WARNING	Procedures and techniques which, if not carefully followed, will expose the user to the risk of fire, serious injury, illness or death.

 **NOTE** This equipment has been tested and found to comply with the limits for Class B digital device, pursuant to part 15 of the FCC Rules. These limits are designed to provide reasonable protection against harmful interference in a residential installation. This equipment generates, uses and can radiate radio frequency energy and, if not installed and used in accordance with the instructions, may cause harmful interference with radio or television reception. That can be determined by turning the equipment off and on. The user is encouraged to try to correct the interference by one or more of the following measures:

- Reorient or relocate the receiving antenna.
- Increase the separation between the equipment and the receiver.
- Connect the equipment into an outlet on a circuit different from that to which the receiver is connected.
- Consult the dealer or an experienced radio / TV technician for help.

Operation is subject to the following two conditions:

- (1) This device may not cause interference.
- (2) This device must accept any interference, including interference that may cause undesired operation of the device.

 **NOTE** A 15amp, 120-volt circuit is required. A dedicated circuit is preferred but not essential in all cases. A dedicated circuit will be required if, after installation, the circuit breaker trips or the fuse blows on a regular basis when the heater is operating. Additional appliances on the same circuit may exceed the current rating of the circuit breaker.

If you have any questions about our products please contact Real Flame® customer service at 1-800-654-1704

SITE SELECTION AND PREPARATION



WARNING

To reduce the risk of fire or electric shock when installing:

- Make sure the power cord is not pinched or against a sharp edge when installed.
- Ensure that the power cord is stored or secured to avoid tripping or snagging.
- Construction and electrical outlet wiring must comply with local building codes and other applicable regulations.
- Do not attempt to wire your own new outlets or circuits. Always call a licensed electrician.

See figure 1 for grounding instruction. This heater is for use on 120 volts. The cord has a plug as shown at A in Figure 1. An adapter as shown at C is available for connecting three-blade grounding-type plugs to two-slot receptacles. The green grounding lug extending from the adapter must be connected to a permanent ground such as a properly grounded outlet box. The adapter should not be used if a three-slot grounded receptacle is available.

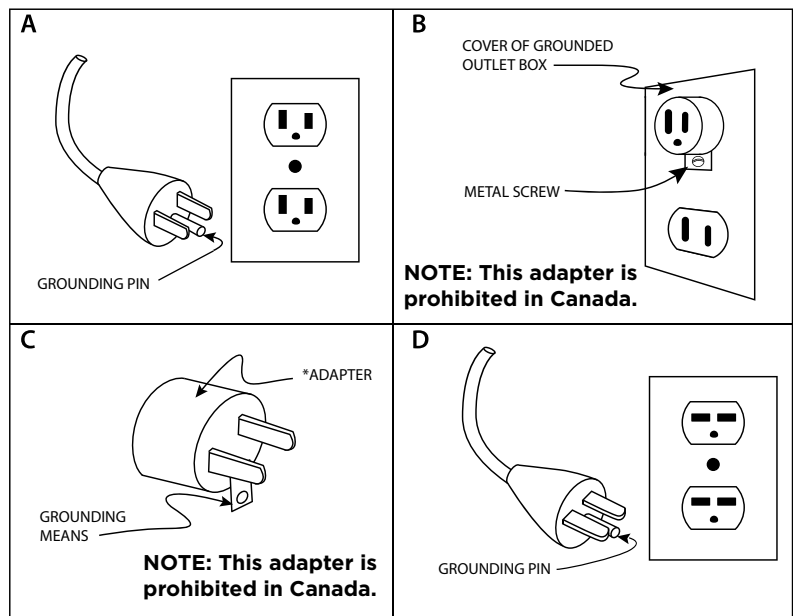


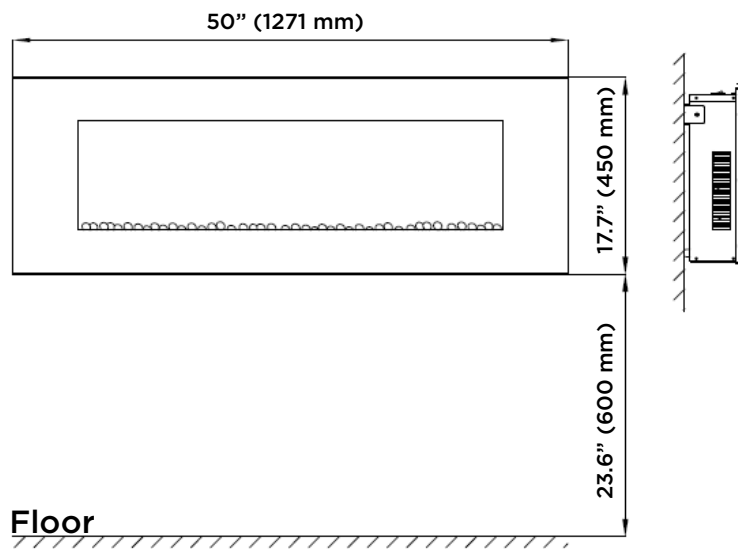
Fig. 1

INSTALLATION

⚡ WARNING This appliance is designed to be fixed to a wall at a minimum height of 12 in (300mm) and at a minimum distance of 39in (1000mm) from the top of the heater to the ceiling. The wall bracket must be fitted horizontally with the cable routed to the bottom right of the fireplace.

NOTE A distance of 23.62in (600mm) from the base of the fireplace to the floor is recommended for the best view of the fireplace.

NOTE Two people are required for installation.



Step 1: Place the fireplace on a padded surface. Unscrew the 6 mounting screws on the top and 2 mounting screws on each side of the fireplace (see Fig. A). Set these screws to the side.

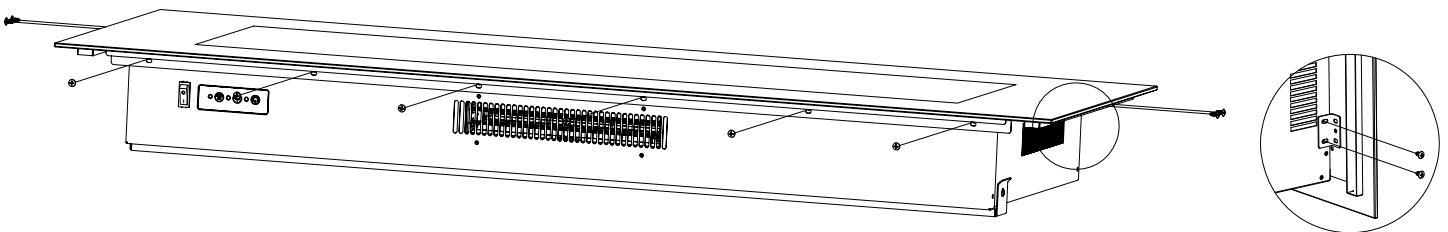


Fig. A

INSTALLATION (Cont'd.)

Step 2: Remove the front glass as shown in Fig B. Handle it with care.

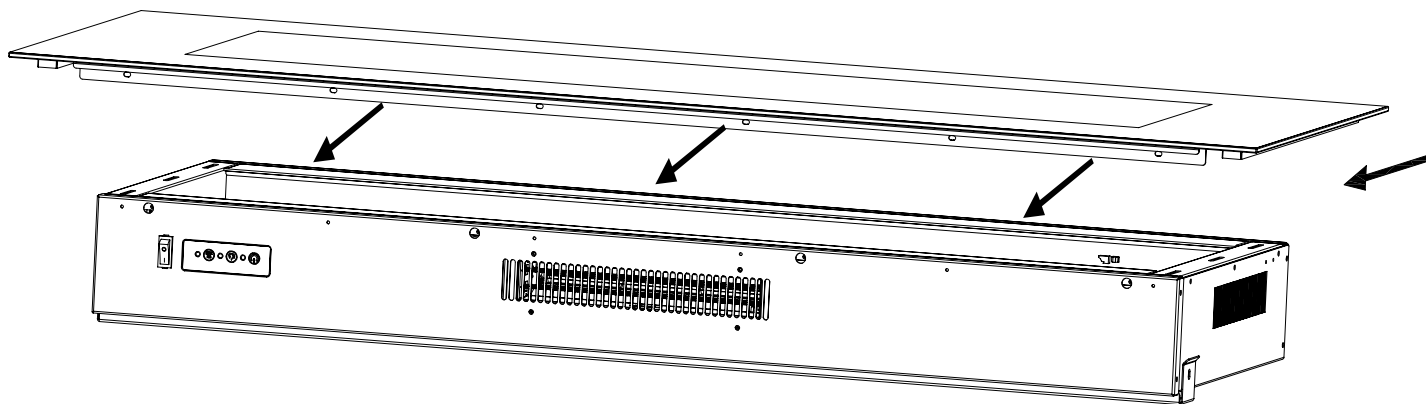


Fig. B

Step 3: The mounting bracket is fixed on the back of the fireplace. Unscrew 2 screws and remove the bracket. See Fig. C.

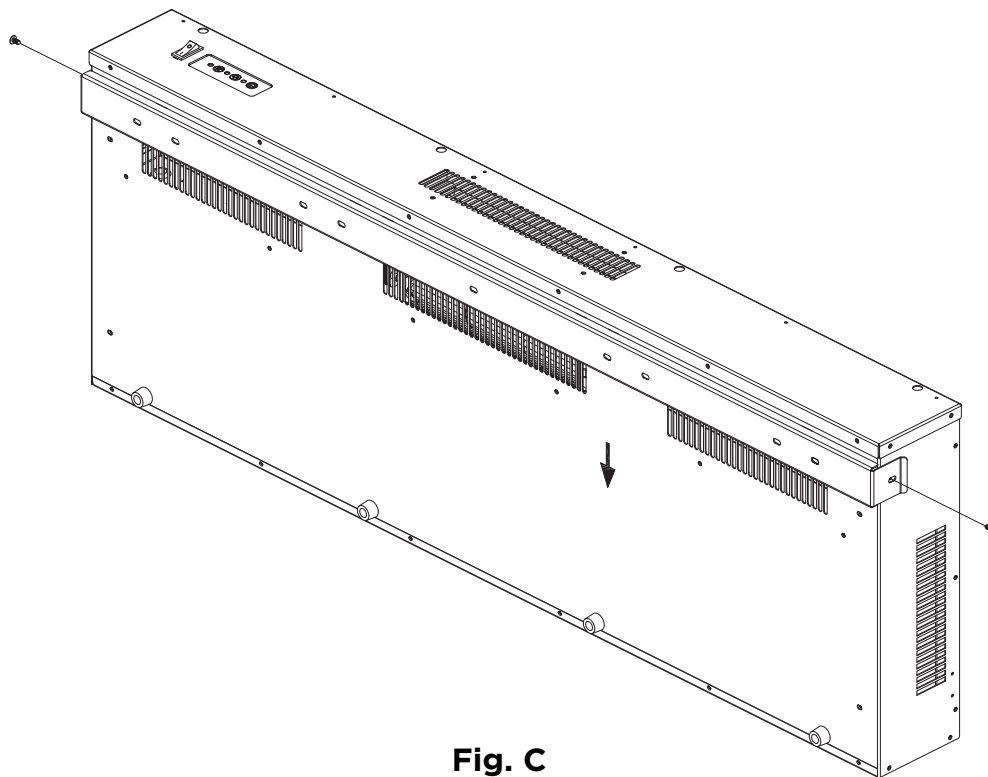


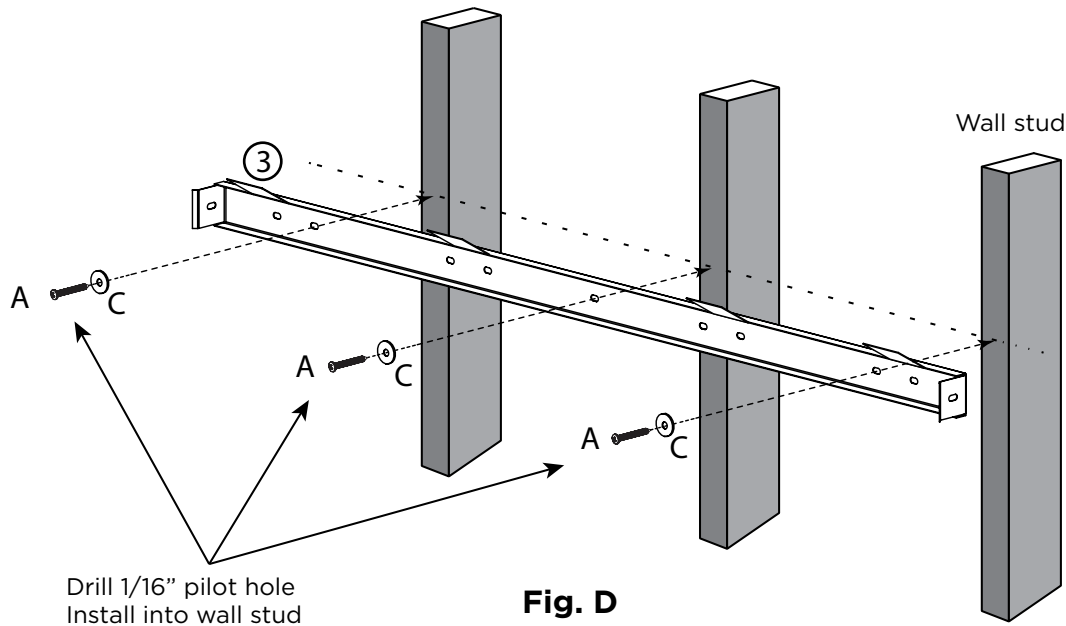
Fig. C

INSTALLATION (Cont'd.)

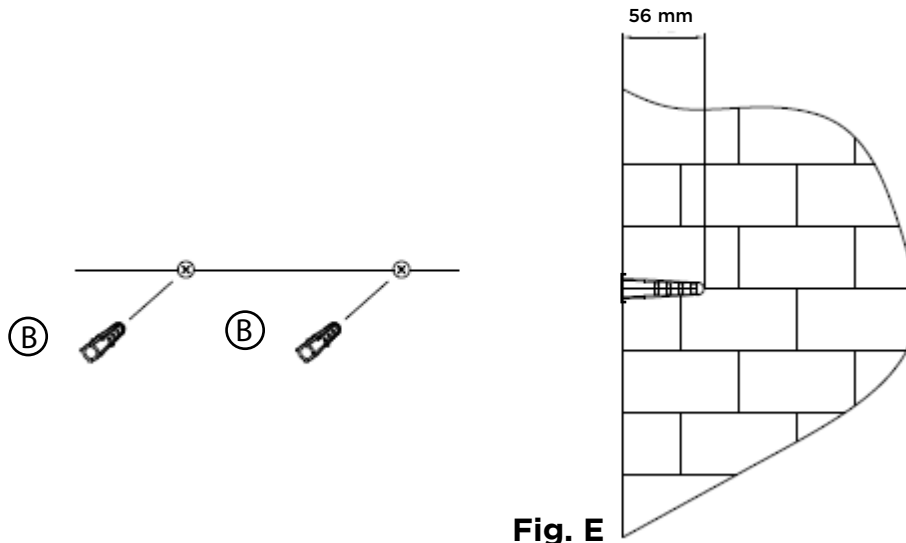
Mounting the Firebox Bracket

Step 4:

- Locate studs where the firebox will be mounted.
- Following the height diagram on page 6, mark the location on a stud and drill a 1/16" pilot hole for mounting the bracket to a wall stud. One stud is required to safely mount this bracket using either of the holes in the center of the mounting bracket (3).
- Attach the mounting bracket to the wall using one screw.
- Level the bracket and mark the remaining hole locations.
- Install remaining screws to finish mounting the bracket (3).



Step 5: For the holes that do not hit a stud, drill holes 5/16in(8mm) and use the supplied wall anchors. Install the wall anchors into the holes and gently tap them into place with a hammer until the flange of the wall anchor is flush with the wall surface. See Fig. E.



INSTALLATION (Cont'd.)

Step 6: Secure the mounting bracket to the wall anchors using the anchors and screws as shown in Fig. F.

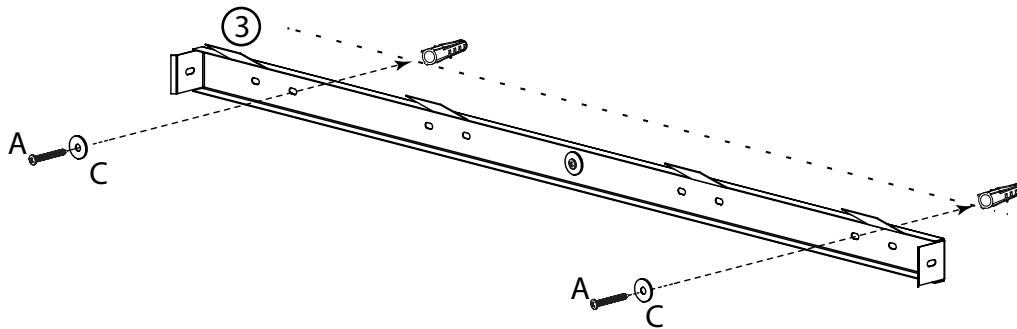


Fig. F

Step 7: Mount the fireplace on the wall using the slots of the metal bracket at the back of the fireplace. See Fig. G. Make sure that the mounting bracket is completely engaged into the metal bracket at the back of the fireplace.

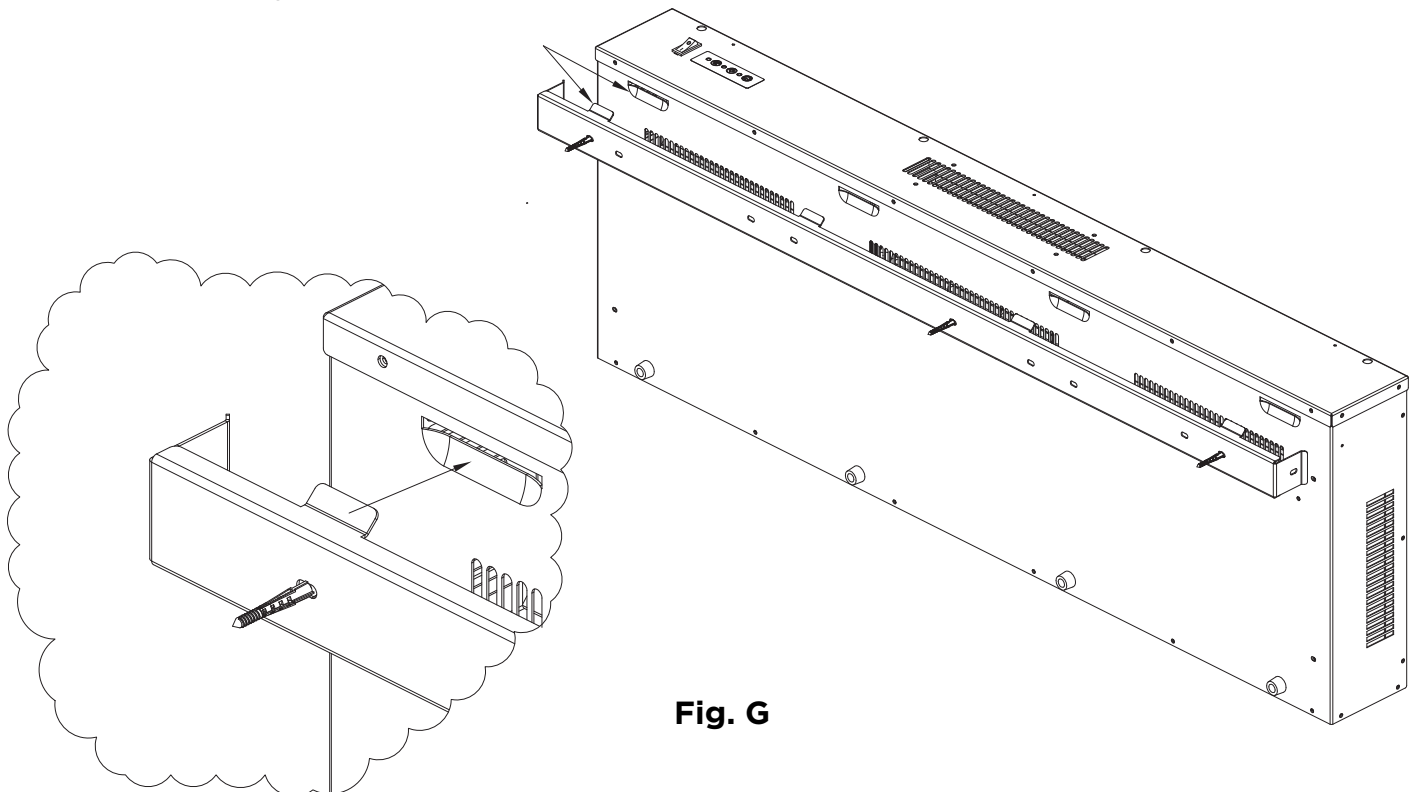


Fig. G

INSTALLATION (Cont'd.)

Step 8: Secure the mounting bracket to the fireplace using 2 mounting screws. See Fig. H.

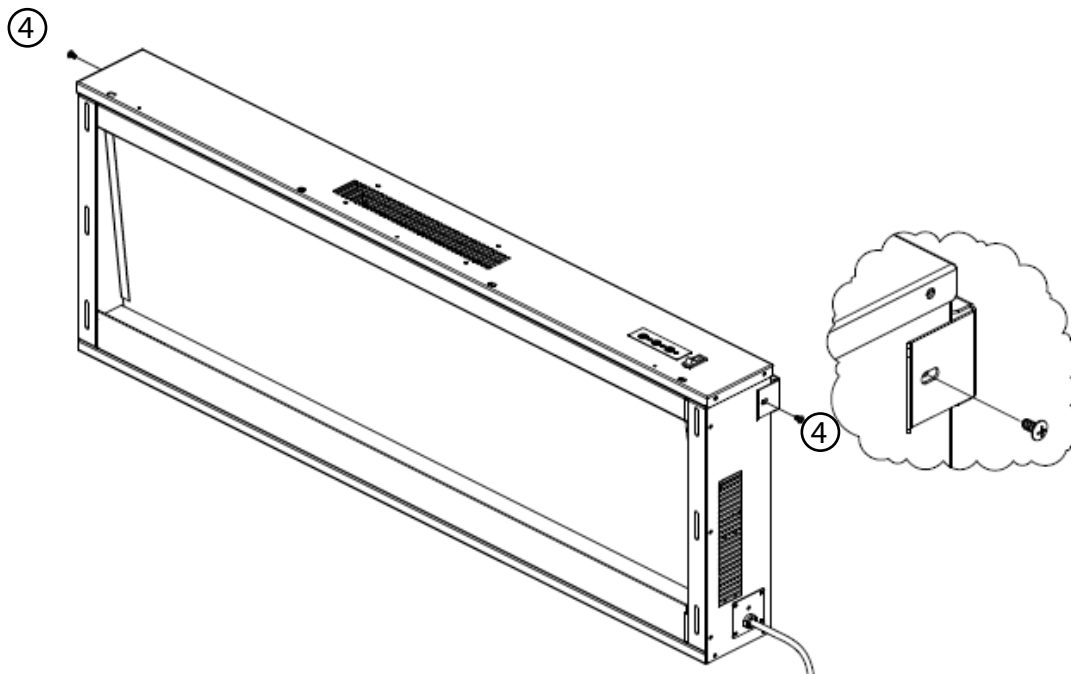


Fig. H

Step 9: Put the crushed glass onto the shelf panel of the fireplace. See Fig. I.

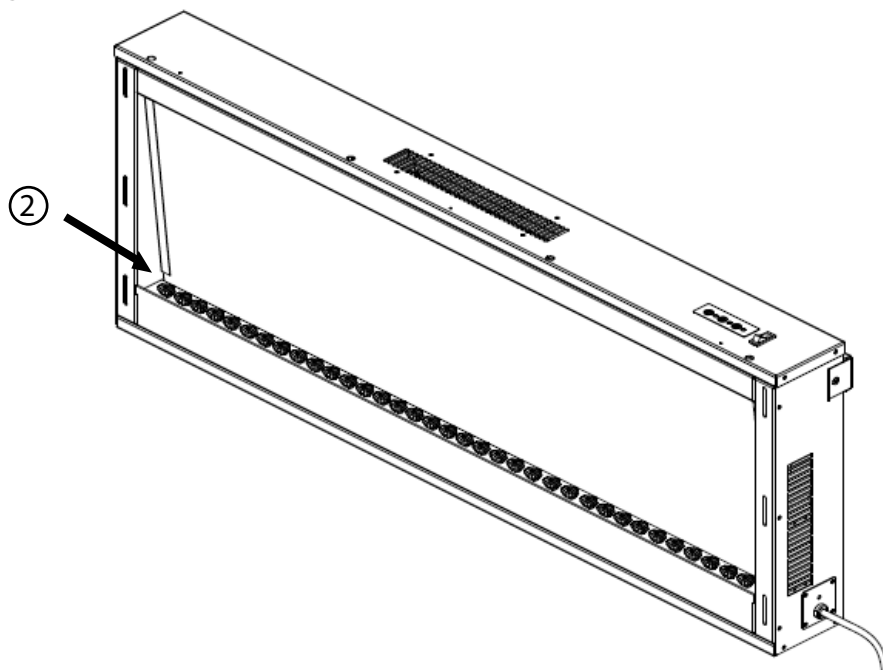


Fig. I

INSTALLATION (Cont'd.)

Step 10: Hold the front cover tightly and engage it with the 6 slots on both sides of the fireplace. Make sure the front cover has been completely inserted into **ALL 6** slots before removing your hands. See Fig. J.

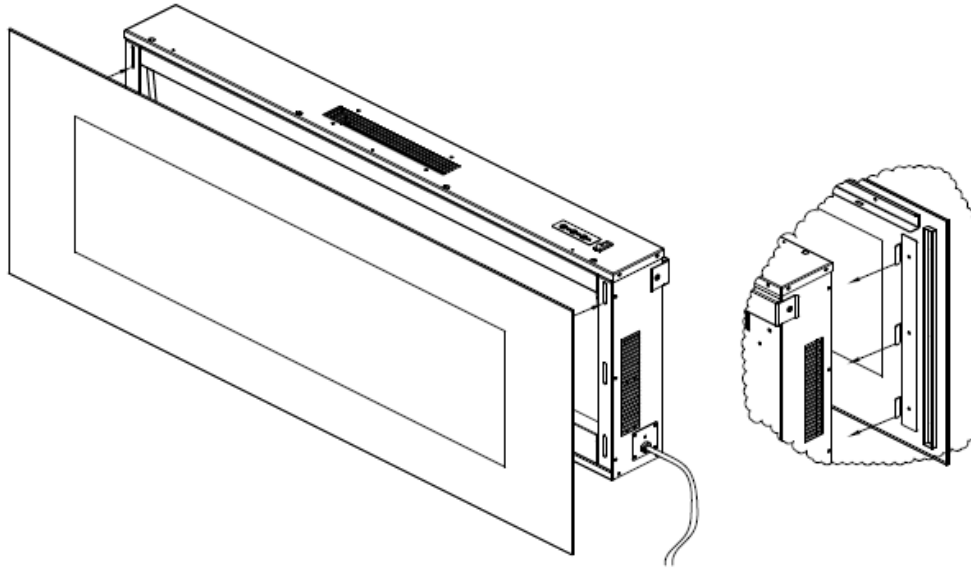


Fig. J

Step 11: Secure the front cover to the top and both sides of the fireplace using 10 mounting screws. See Fig. K.

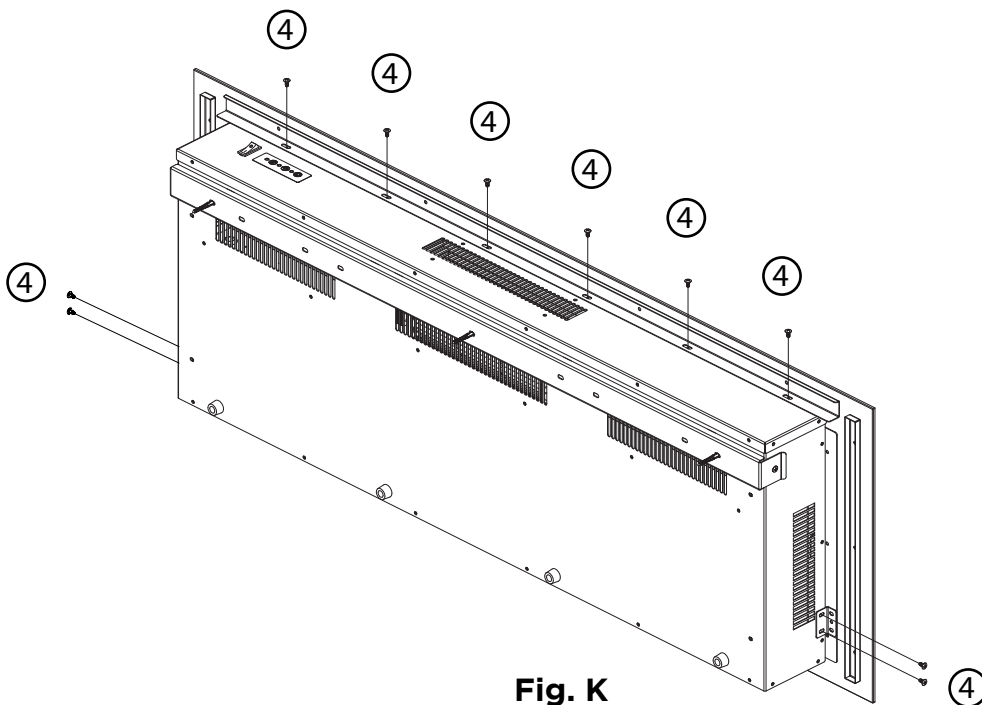


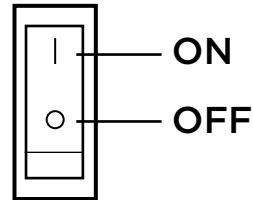
Fig. K

OPERATION AND FEATURES

CONTROL PANEL OPERATION

After reading all the instructions, confirm that all controls on fireplace are in the OFF position. Plug the fireplace into a 15AMP/120Volt outlet. The control panel is located at the top right of your fireplace.

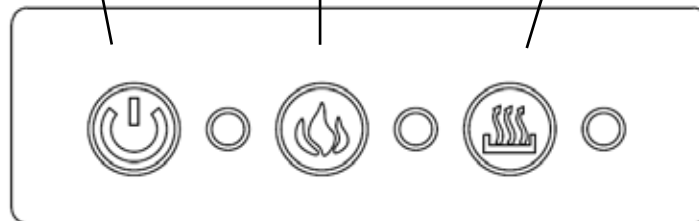
MAIN POWER Press the O/I button for main power.



POWER (Standby)
Push this button to turn the unit on. Push it again to enter stand-by mode.

FLAME COLOR
Changes the color of the flame.

HEAT SETTING
Press this button once for the low heat setting (700W); press twice for the high heat setting (1400W); press again to turn off the heater.



Note: When the O/I switch is turned OFF, all other fireplace functions will stop.

NOTE When turned to standby the embers of the flame will not immediately go out. This is a designed feature to represent the embers of the fire slowly fading out.

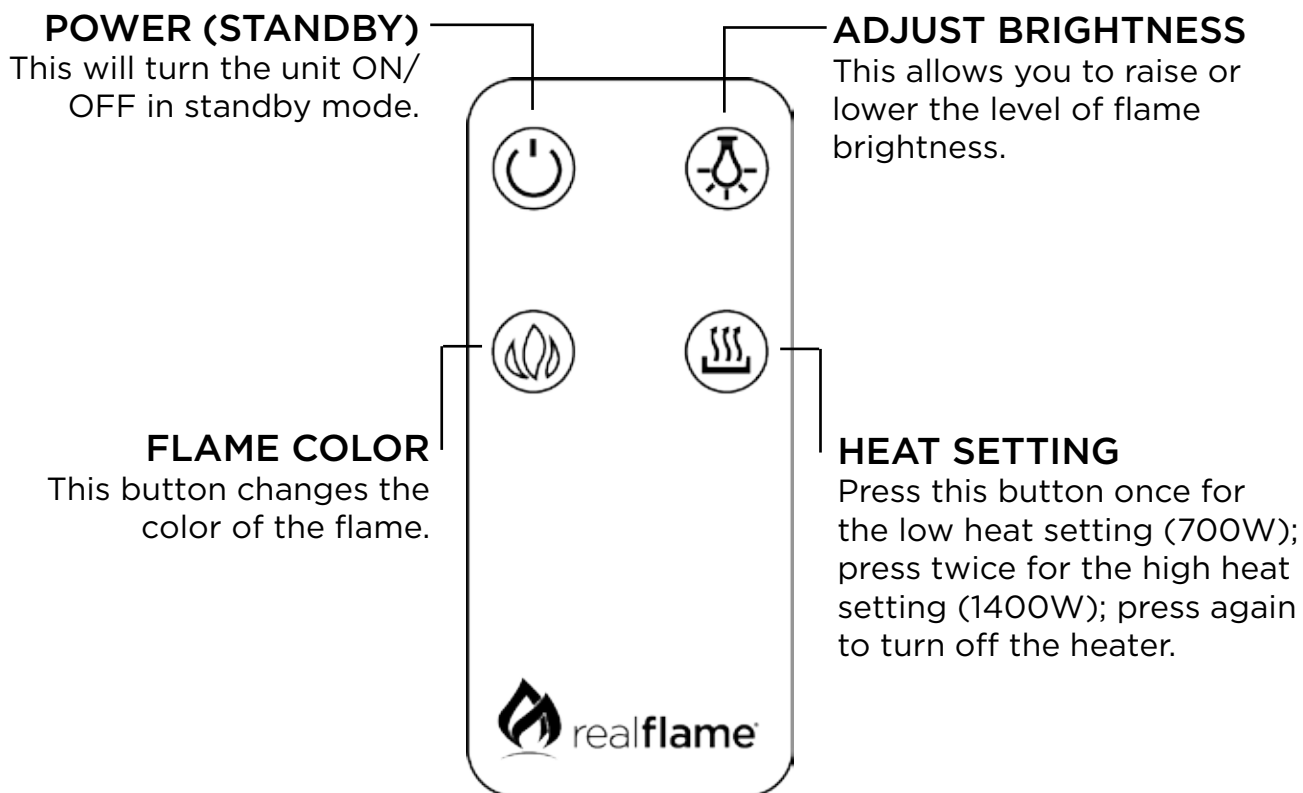
NOTE Although the heater has been turned off the fan may still run to prevent over-heating.

TECHNICAL SPECIFICATION Supply: 120V-60Hz. Rated Power: 1400W

OPERATION AND FEATURES (Cont'd.)

REMOTE CONTROL OPERATION

To use the remote control, make sure that the Power Switch (I/O) on the fireplace has been turned on.



REMOTE CONTROL BATTERY REPLACEMENT

The remote control requires one 3V CR2025 Lithium Cell Battery (included). Remove the protective sheet between the battery and the contacts in order to operate. See Fig. L.

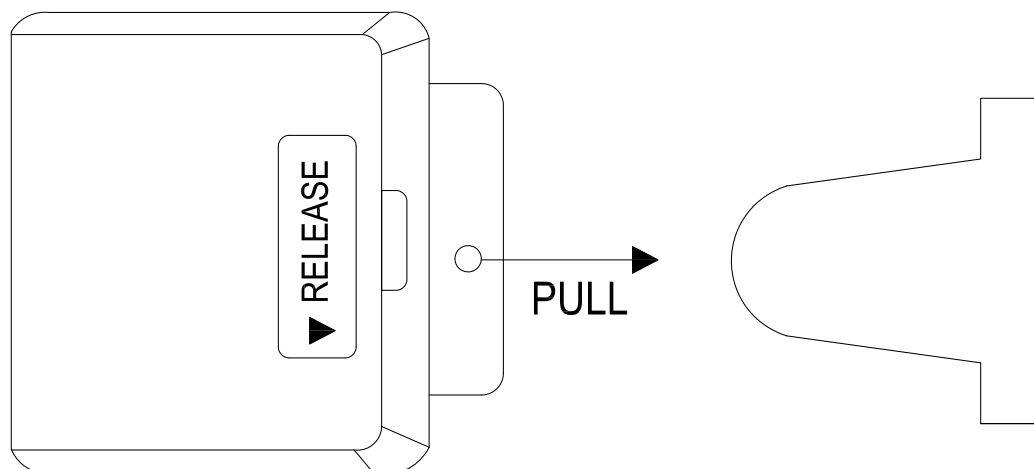


Fig. L

OPERATION AND FEATURES (Cont'd.)

If the remote control stops operating or its range seems reduced, replace the battery with a new one.

Replace with a CR2025 battery and follow the diagram at the back of the remote handset to install the new battery. See Fig. M.

1. The battery compartment is located on the back end of the remote.
2. Press and slide the battery door open and remove the old battery.
3. Insert a CR2025 battery, checking that the “+” and “-” terminals of the battery match the inside of the battery compartment.
4. Replace the battery compartment door.

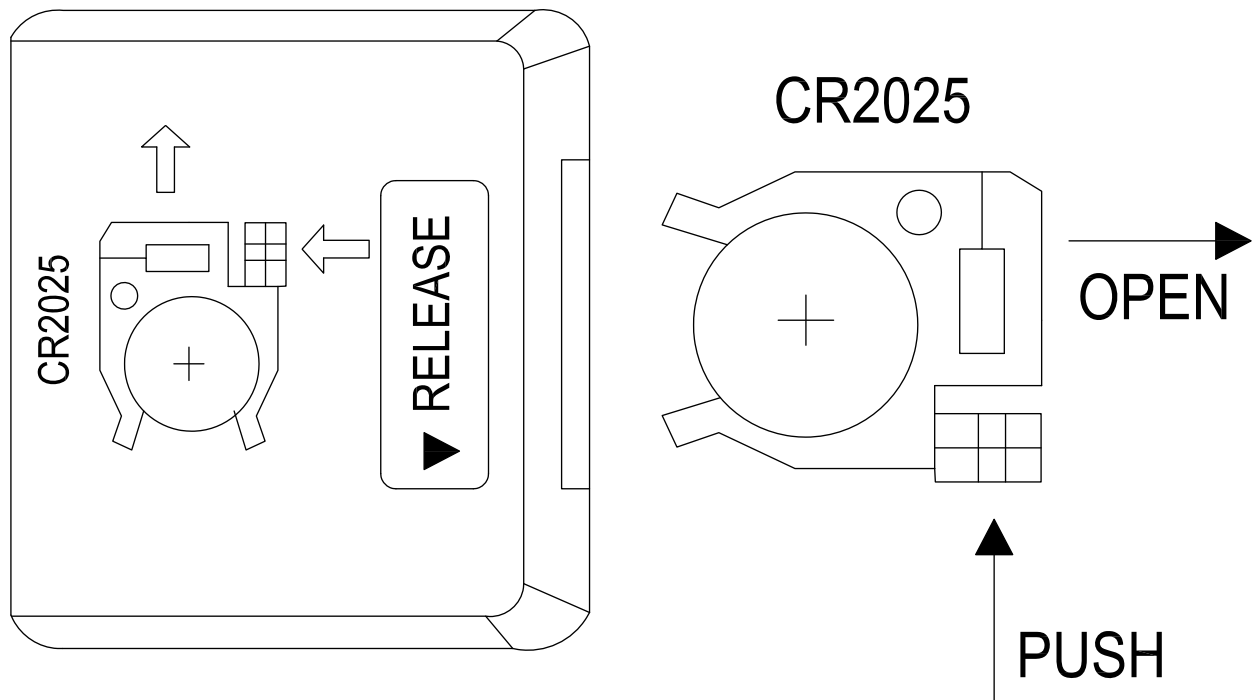


Fig. M

CARE AND MAINTENANCE

WARNING

Disconnect power before attempting any maintenance or cleaning to reduce the risk of fire, electric shock, injury or death.

CLEANING

Before cleaning the unit, first turn off the O/I switch and unplug the unit from the power source.

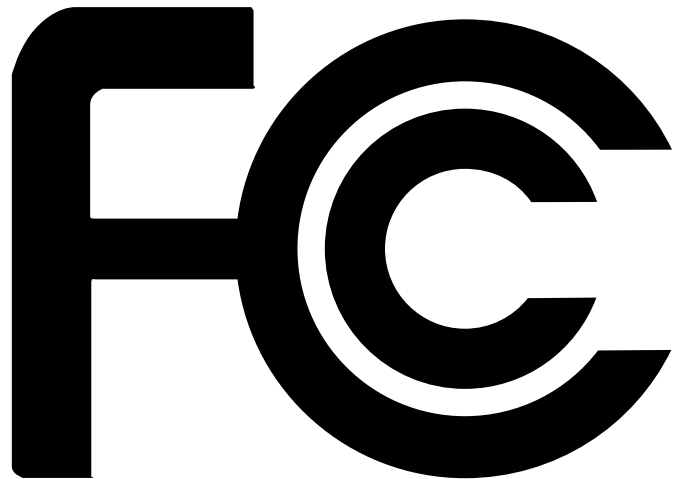
- Dust the fireplace using a clean dry cloth.
- Use warm water and a clean cloth to wipe off any painted surfaces. Do not use abrasive cleaners.
- Use a standard glass cleaner for the glass panel of the fireplace.

CAUTION

When transporting or storing the unit and cord, keep in a dry place free from excessive vibration, and store carefully to avoid damage.

Light Emitting Diode

This firebox is fitted with LED (Light Emitting Diode) bulbs in place of conventional bulbs. These generate the same light levels as conventional bulbs, but use a fraction of the energy. These LED bulbs are maintenance free and should not require replacing during the life of the product.



Warranty & Return Policies

Thank you for purchasing our Real Flame® product. We are proud to have you as a customer! We recommend that you visit our website www.realflame.com for the quickest and most efficient way to complete your product registration.

Complete the form on back page of this manual to register and protect your product!

1 Complete the product registration form on the last page of this manual and mail or email it in today. Have the piece of mind of knowing we can contact you in the unlikely event of a safety modification.	2 After sending in your registration, store your product instructions in a safe place. They contain information you will need should you ever require service or parts. Our customer service number is 1-800-654-1704	3 Read your instruction manual carefully. It will help you operate and care for your new fireplace properly. Please remember to write your serial number on the front page of your instructions.
---	--	---

Warranty

Real Flame® Company warrants Real Flame ventless fireplaces and accessories to be free from defects in parts and workmanship under normal use and service for a period of 90 days from the date of purchase. In the event of such defects Real Flame will, at its option, replace the defective product or refund the purchase price. The foregoing is the exclusive remedy and Real Flame disclaims all other warranties, including any implied warranty of merchantability or fitness for a particular purpose. In addition, Real Flame will not be responsible for consequential damages in excess of the purchase price of the product on which such liability is based. Electric fireplaces carry a one-year warranty on the electric firebox only.

Return Policy

You may return your purchase within 90 days of receipt. No refunds will be issued for incomplete or unauthorized returns. All returned products must be 100% complete, adequately packaged in original packaging and in resalable condition. Products that have been assembled or modified will not be eligible for return. All items must be returned in their entirety, meaning all items included must be returned together. No returns or exchanges on discontinued items. Please begin the return process by contacting the store or company where you bought your Real Flame item.

Replacement Parts

In the event that an item has been lost or damaged, either by the manufacturer or in shipping, you may request a replacement. Replacement parts are not available for all units and only given at Real Flame's discretion. We will assess any damage and find a solution, which could include shipping you a replacement. No replacements are available for discontinued items or repackaged (open box) products. Please call Real Flame Customer Service at 800-654-1704 for replacement parts before returning the damaged item. Please have the following information (which can be found in your instruction manual) ready before you call Customer Service.

- Model Number of Item
- 4-8 digit Part Number
- Lot Code Number
- Shipping Address
- A picture of the damaged item may be requested. Pictures should be sent to custserv@realflame.com

Incorrect Order Received

If you received something other than what you ordered, please contact Real Flame Customer Service at 800-654-1704 within 48 hours of receiving the item.

Please refer to www.Realflame.com for our complete return guidelines and policies.

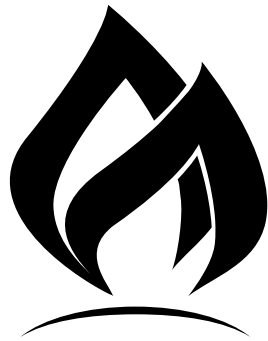
Real Flame®
7800 Northwestern Ave.
Racine, WI 53406

Customer Service: 1-800-654-1704 in USA
Service à la clientèle: 1-800-363-6443 in Canada
custserv@realflame.com

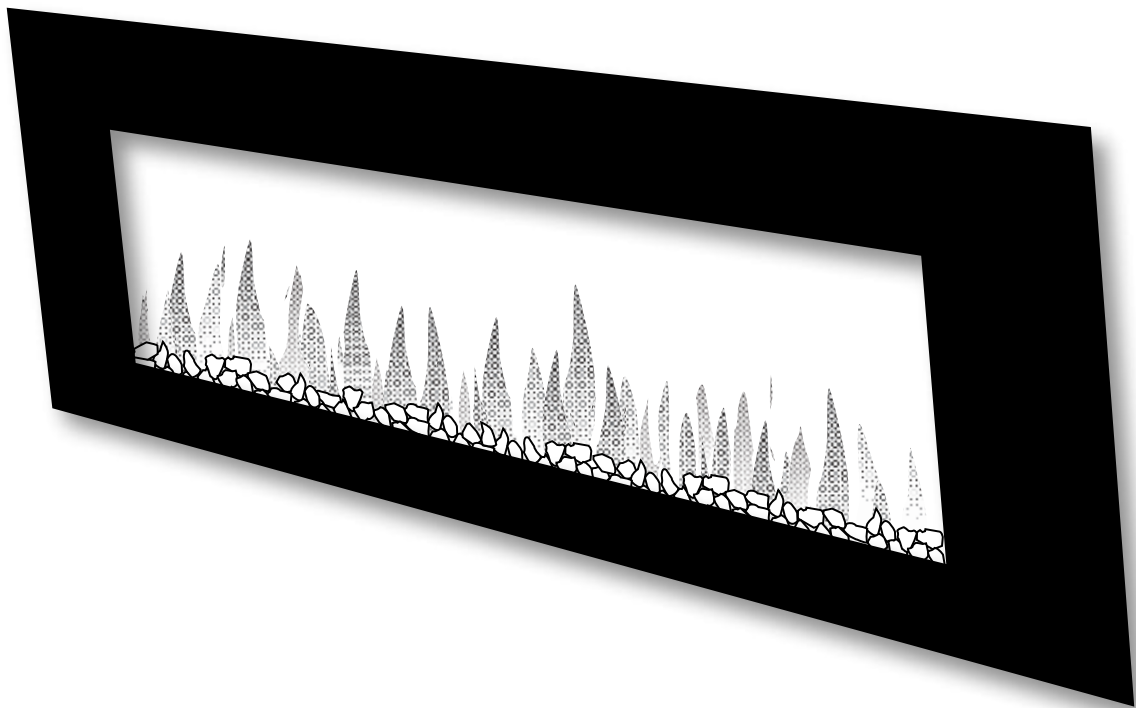


PO: _____

Lot: _____



realflame[®]
f i r e p l a c e s



Cheminée à fixation murale DiNatale 50 pounces

Modèle n° 1330

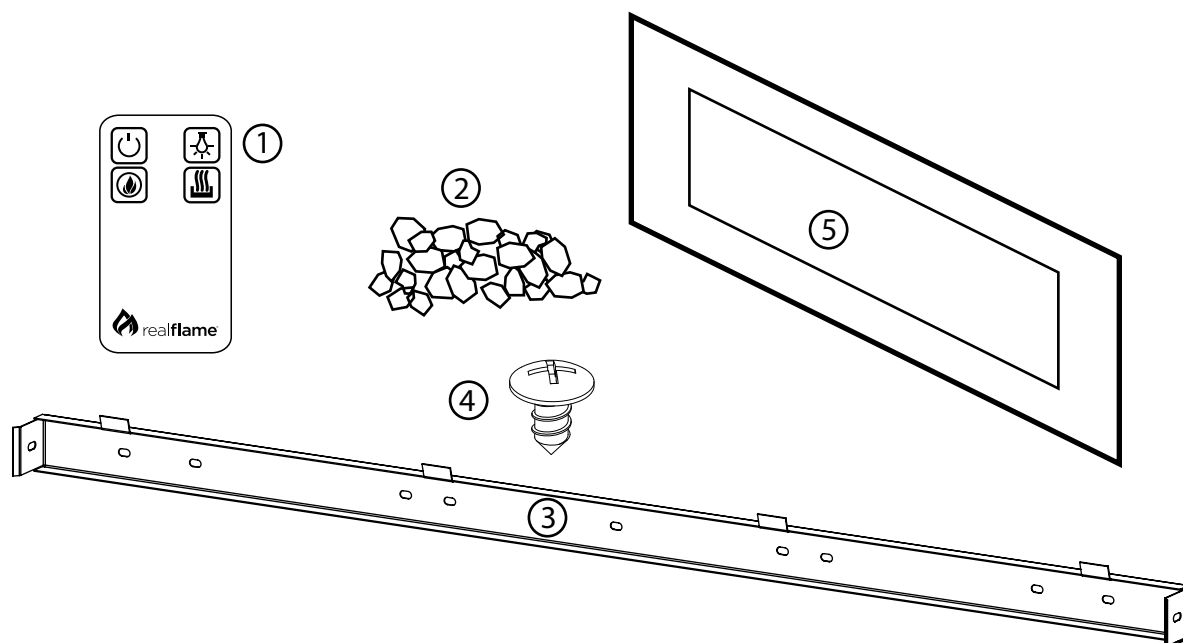
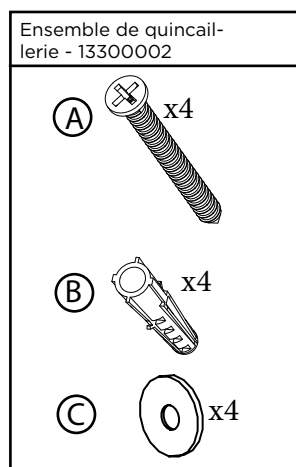
English • Français • Español

TABLE DES MATIÈRES

Liste des Pièces	18
Consignes de Sécurité Importantes	19
Sélection et Préparation du Site	21
Installation	22
Utilisation et Fonctionnalités	28
Nettoyage et Entretien	31
Garantie et Retour de L'appareil	32

LISTE DES PIÈCES

Nu.	Description	Cdt.	Nu.	Description	Cdt.
①	Télécommande	1	④	Vis de Montage (Remarque: est fixé à l'arrière de la cheminée)	2
②	Verre Broyé	1 boîte (1.4 kg)	⑤	Panneau avant en verre	1
③	Support de Montage (Remarque: est fixé à l'arrière de la cheminée)	1			



REMARQUE Outils nécessaires : niveau à bulle, perceuse électrique, trépan [8 mm (5/16 po)], tournevis Phillips, marteau, lunettes et gants de protection.

IMPORTANTES INSTRUCTIONS DE SÉCURITÉ

AVIS IMPORTANT Veuillez conserver ce guide d'utilisation pour référence ultérieure.

Lors de l'utilisation d'appareils électriques, vous devez toujours faire preuve de prudence en suivant toutes les instructions afin d'éviter les risques d'incendie, les décharges électriques et les blessures:

1. Lire toutes les instructions avant d'utiliser cet appareil.
2. L'appareil de chauffage devient chaud à l'usage. Pour éviter des brûlures, ne pas laisser la peau nue en contact avec les surfaces chaudes. La moulure entourant l'appareil de chauffage devient chaude lors de l'usage. **Tenir les matériaux combustibles tels que les meubles, les coussins, la literie, les papiers, les vêtements et les rideaux à au moins 3 pieds (0,9 m) du devant, côtés et arrière de l'appareil.**
3. Des précautions importantes doivent être prises lorsqu'un appareil de chauffage est utilisé par ou près d'enfants, de personnes à mobilité réduite, et est en usage sans supervision.
4. Toujours débrancher l'appareil de chauffage lorsqu'il n'est pas en usage.
5. Ne jamais utiliser l'appareil si le cordon d'alimentation ou la fiche de branchement sont endommagés; ou encore si l'appareil de chauffage ne fonctionne pas bien, s'il est tombé de haut ou a été endommagé de quelques manières. Apporter l'appareil à un service d'entretien autorisé pour un examen et une mise au point électrique ou mécanique ou une réparation complète.
6. N'est pas conçu pour un usage à l'extérieur.
7. Cet appareil de chauffage électrique n'est pas conçu pour être utilisé dans une salle de bain, une salle de lavage ou toute autre pièce intérieure similaire. Éviter de mettre l'appareil dans un endroit où il pourrait tomber dans une baignoire ou un contenant rempli d'eau.
8. Ne pas placer les cordons électriques sous un tapis, meubles ou appareils. Ne pas recouvrir les cordons électriques avec une carpe ou un tapis de couloir. Disposer les cordons électriques en dehors des lieux de passages fréquents afin de ne pas les abîmer.
9. Pour débrancher l'appareil, mettre le foyer hors tension, et débrancher ensuite de la prise de courant.
10. Connecter uniquement à des prises de courant correctement mise à la terre.
11. Ne pas laisser des objets étrangers entrer dans le système de ventilation ou la bouche d'évacuation; cela pourrait occasionner une décharge électrique, un incendie ou endommager l'appareil de chauffage.
12. Pour prévenir les risques d'incendie, ne pas obstruer l'entrée ou la sortie d'air de quelques manières. Ne pas utiliser sur une surface souple telle qu'un lit, qui pourrait obstruer les ouvertures.
13. Tous les appareils de chauffage électriques possèdent des parties chaudes, des arcs électriques ou des étincelles à l'intérieur de leur composante. Ne pas utiliser dans des endroits où on trouve de l'essence, de la peinture et où des liquides inflammables sont utilisés ou entreposés, et où l'appareil serait exposé à des vapeurs inflammables.
14. Ne pas modifier l'appareil de chauffage électrique. Utiliser selon l'usage décrit dans le manuel. Toute autre utilisation non recommandée par le fabricant peut occasionner des incendies, des décharges électriques, des blessures et même la mort.
15. Ne pas brûler du bois ou tout autre produit dans l'appareil de chauffage électrique.
16. Ne pas frapper sur le panneau de verre.
17. Toujours faire appel à un électricien agréé pour l'installation de nouveaux circuits ou de nouveaux branchements électriques.

Information concernant le verre

1. Ce produit ne devrait jamais être utilisé avec un panneau de verre brisé ou fen dillé.
2. Ne pas frapper ou donner des coups sur le verre.
3. Ne pas utiliser des nettoyants abrasifs pour nettoyer le verre.
4. Ce produit est composé de verre trempé.

IMPORTANTES INSTRUCTIONS DE SÉCURITÉ

GARDER CES INSTRUCTIONS EN RÉSERVE



AVERTISSEMENT



- Risque de décharge électrique.
- Ne pas ouvrir.
- Aucune pièce utilisable à l'intérieur.

DESCRIPTION DES AVERTISSEMENTS



REMARQUE

Procédures et techniques qui sont considérées assez importantes pour être signalées.



ATTENTION

Procédures et techniques, lesquelles, si elles ne sont pas suivies correctement, occasionneront un dommage à l'équipement.



AVERTISSEMENT

Procédures et techniques, lesquelles, si elles ne sont pas suivies correctement, exposeront l'utilisateur à un risque d'incendie, de blessures sérieuses ou à la mort.

REMARQUE Requiert un circuit de 15 ampères, 120 volts. Un circuit exclusif est préférable, mais pas toujours essentiel. Un circuit exclusif sera requis si, après l'installation, le disjoncteur se déclenche ou si les fusibles grillent à répétition lorsque l'appareil de chauffage est en usage. Plusieurs appareils sur un même circuit peuvent conduire à une surcharge du disjoncteur.

REMARQUE Cet appareil a été testé et trouvé conforme aux normes des dispositifs numériques de classe B, en vertu de la Partie 15 des règlements du FCC. Ces normes ont pour but d'offrir une protection raisonnable contre des interférences nuisibles dans une installation résidentielle. Cet appareil génère, utilise et peut rayonner de l'énergie en radiofréquence et, s'il n'est pas installé et utilisé selon les instructions, peut occasionner des interférences nuisibles à la réception radio et télévisuelle, lesquelles deviennent manifestes en éteignant et allumant l'équipement. L'utilisateur peut essayer de corriger l'interférence par une ou l'autre des mesures suivantes :

- Réorienter ou déplacer l'antenne de réception.
- Accroître la distance entre l'équipement et le récepteur.
- Brancher l'appareil dans une prise avec un circuit électrique différent de celui où le récepteur est branché.
- Consulter le détaillant ou un technicien expérimenté en radio/TV afin d'obtenir de l'aide.

Le fonctionnement est assujéti aux deux conditions suivantes :

- (1) Ce dispositif n'occasionnera pas d'interférence nuisible, et
- (2) Ce dispositif doit accepter toute interférence reçue, incluant des interférences qui peuvent occasionner des fonctionnements non désirés.

Pour toutes questions sur nos produits, veuillez contacter le service à clientèle de Real Flame au 1 800 654-1704.

SÉLECTION ET PRÉPARATION DU LIEU CHOISI



AVERTISSEMENT

Vous assurer que le cordon d'alimentation est installé de façon à ce qu'il ne soit pas coincé ou mis sur un rebord tranchant, et vous assurer qu'il est mis à un endroit qui soit bien protégé pour éviter que l'on trébuche ou qu'il nuise à une bonne circulation afin de réduire le risque d'incendie, de décharge électrique ou de blessures.

Les constructions et le câblage des prises de courant doivent respecter les codes de bâtiment en vigueur dans votre région ainsi que tous les règlements applicables pour réduire le risque d'incendie, de décharge électrique ou de blessures.

Ne pas tenter de faire le câblage de votre circuit électrique vous-même. Afin de réduire le risque d'incendie, de décharge électrique et de blessures, toujours faire appel à un électricien agréé.

Voir la figure 1 pour l'instruction de mise à la terre. Vous devez utiliser cet appareil de chauffage sur un circuit de 120 volts. Le cordon d'alimentation possède une fiche comme il est illustré en « A » de la figure 1. Un adaptateur tel qu'illustré à la figure « C » est disponible pour brancher une fiche à trois broches avec mise à la terre dans une prise à deux fentes. La patte verte de mise à la terre sortant de l'adaptateur doit être branchée à une mise à la terre permanente telle qu'une boîte à prises correctement mise à la masse. L'adaptateur ne devrait pas être utilisé si une prise à trois fentes mise à la terre est disponible.

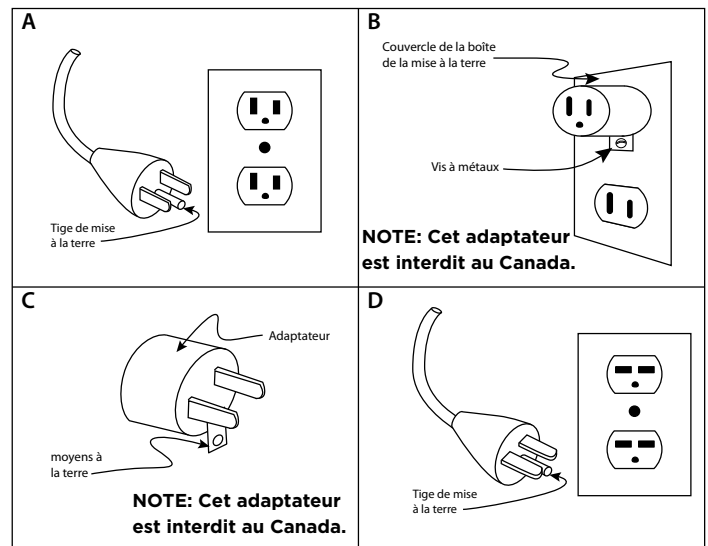


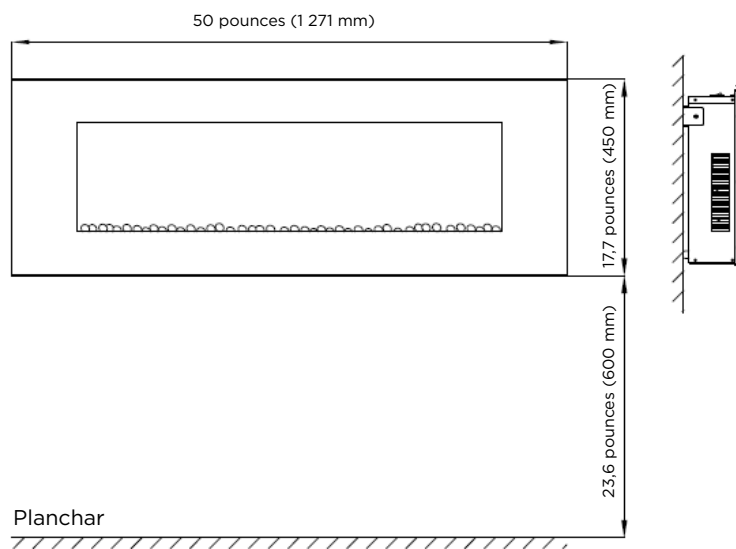
Fig. 1

INSTALLATION

⚠ AVERTISSEMENT Cet appareil est conçu pour être fixé à un mur à une hauteur minimale de 12 pouces (300 mm) tout en vous assurant que la distance minimale entre la partie supérieure du dispositif de chauffage et le plafond soit de 39 pouces (1 000 mm). Assurez-vous que le support mural soit correctement fixé à l'horizontale avec le cordon acheminé vers la partie inférieure droite de la cheminée.

REMARQUE Il est recommandé de prévoir une distance de 23,62 pouces (600 mm) entre la base de la cheminée et le plancher pour une vue optimale de la cheminée.

REMARQUE Deux personnes sont requises pour l'installation de l'appareil.



Étape 1 : Placez la cheminée sur une surface rembourrée. Desserrez les 6 vis de montage situées dans la partie supérieure et les 2 vis de montage situées de chaque côté de la cheminée (voir Fig. A). Fixez ces vis sur les côtés.

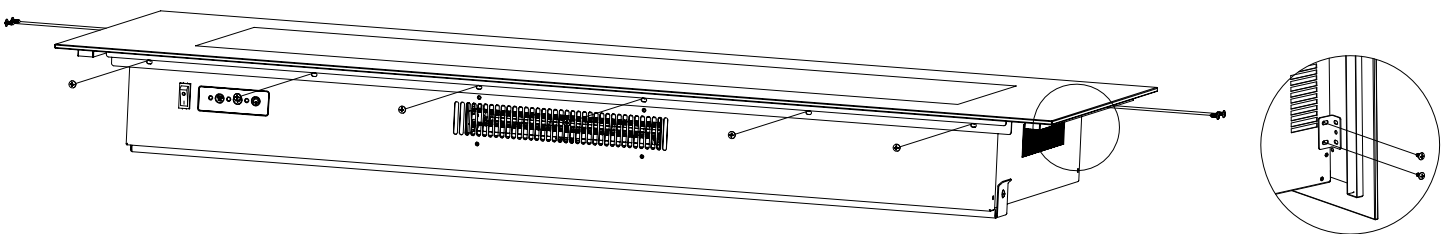


Fig. A

INSTALLATION (suite)

Étape 2 : Ôtez la vitre avant, comme le montre la Fig. B. Manipulez-la avec précaution.

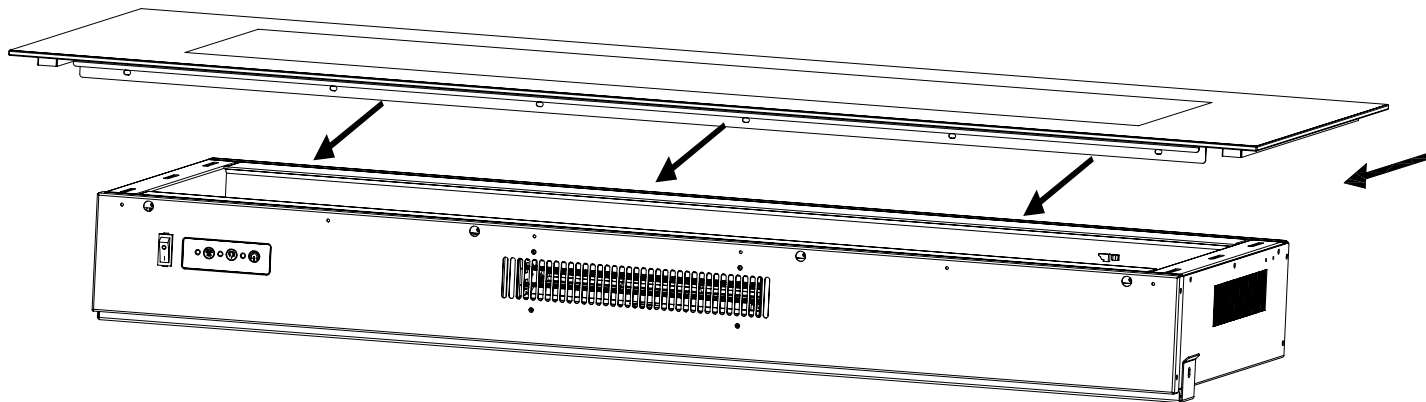


Fig. B

Étape 3 : Le support de montage est fixé à l'arrière de la cheminée. Desserrez 2 vis et démontez le support. Voir Fig. C.

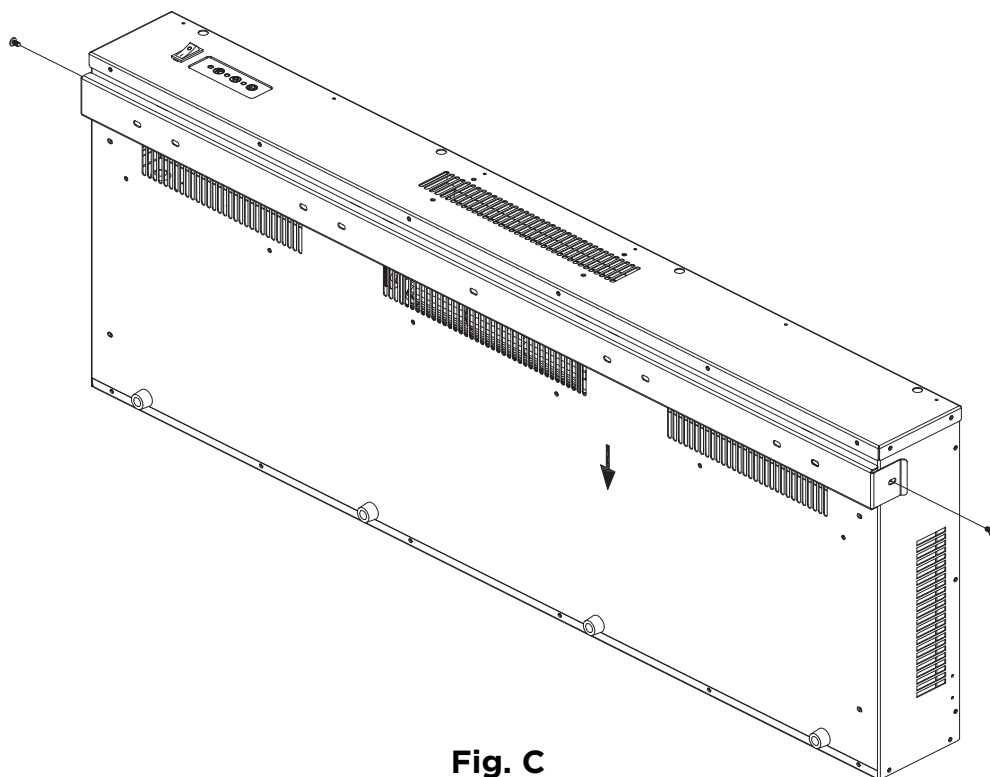
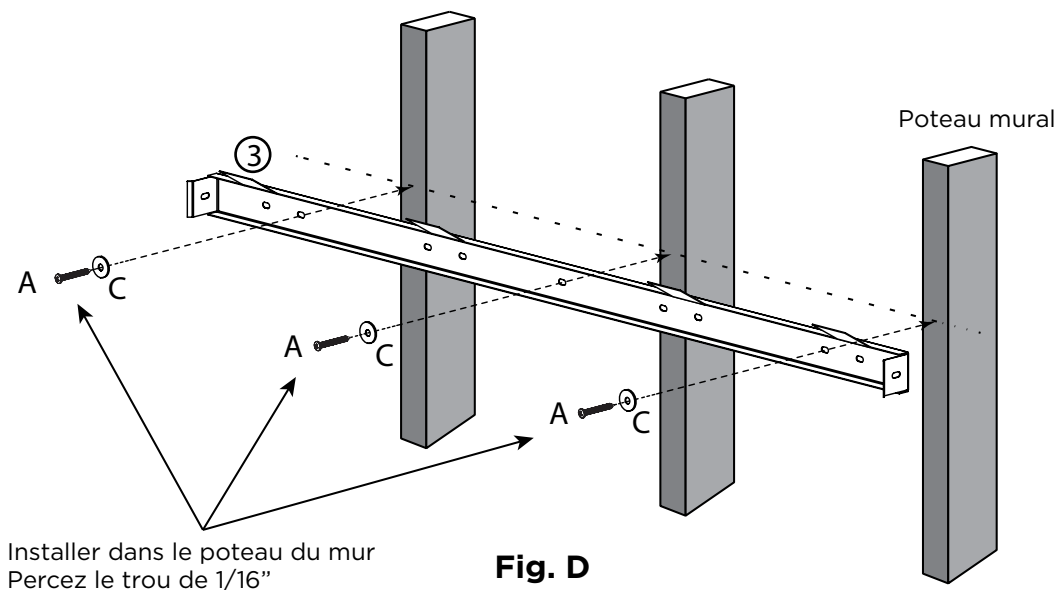


Fig. C

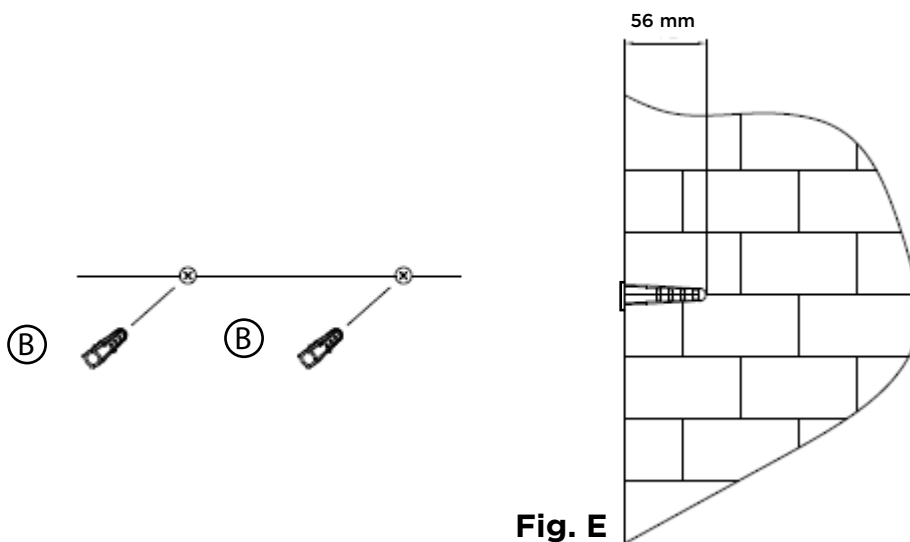
INSTALLATION (suite)

Étape 4 : Fig. D

- Localisez 1 goujon où le foyer sera monté.
- Après le diagramme de hauteur sur la Page 6, marquez l'emplacement sur un goujon et percez un trou pilote de 1/16" pour le montage d'un support à un poteau mural. Un goujon est exigé pour monter en toute sécurité ce support à l'aide de l'un des 2 trous au centre du support de fixation (3).
- Fixez le support de montage au mur à l'aide de 1 vis.
- Nivelez le support et marquez les 3 emplacements de trou restants.
- Re-nivelez le support et installez 3 vis pour terminer le montage du support (3).



Étape 5 : Percez trous de 5/16 pouces (8 mm) de diamètre et 2,2 pouces (56 mm) de profondeur sur les emplacements marqués. Pour les trous résistant aux clous/vis, utilisez les boulons d'ancrage fournis. Positionnez les boulons d'ancrage dans les trous et frappez-les doucement à l'aide d'un marteau pour les fixer correctement, de sorte que la bride de boulon d'ancrage soit encastrée dans la surface murale. Voir Fig. E.



INSTALLATION (suite)

Étape 6 : Fixez le support de montage aux boulons d'ancrage à l'aide des 4 vis de fixation, comme le montre la Fig. F.

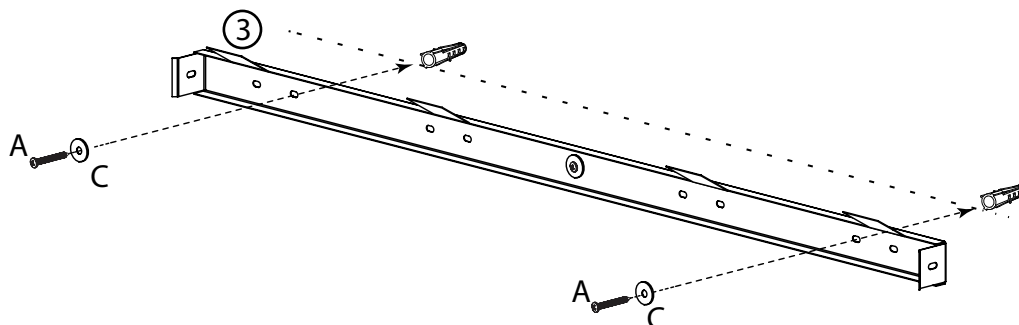


Fig. F

Étape 7 : Montez la cheminée sur le mur à l'aide des fentes du support métallique situé à l'arrière de la cheminée. Voir Fig. G. Assurez-vous que le support de montage soit complètement enclenché dans le support métallique situé à l'arrière de la cheminée.

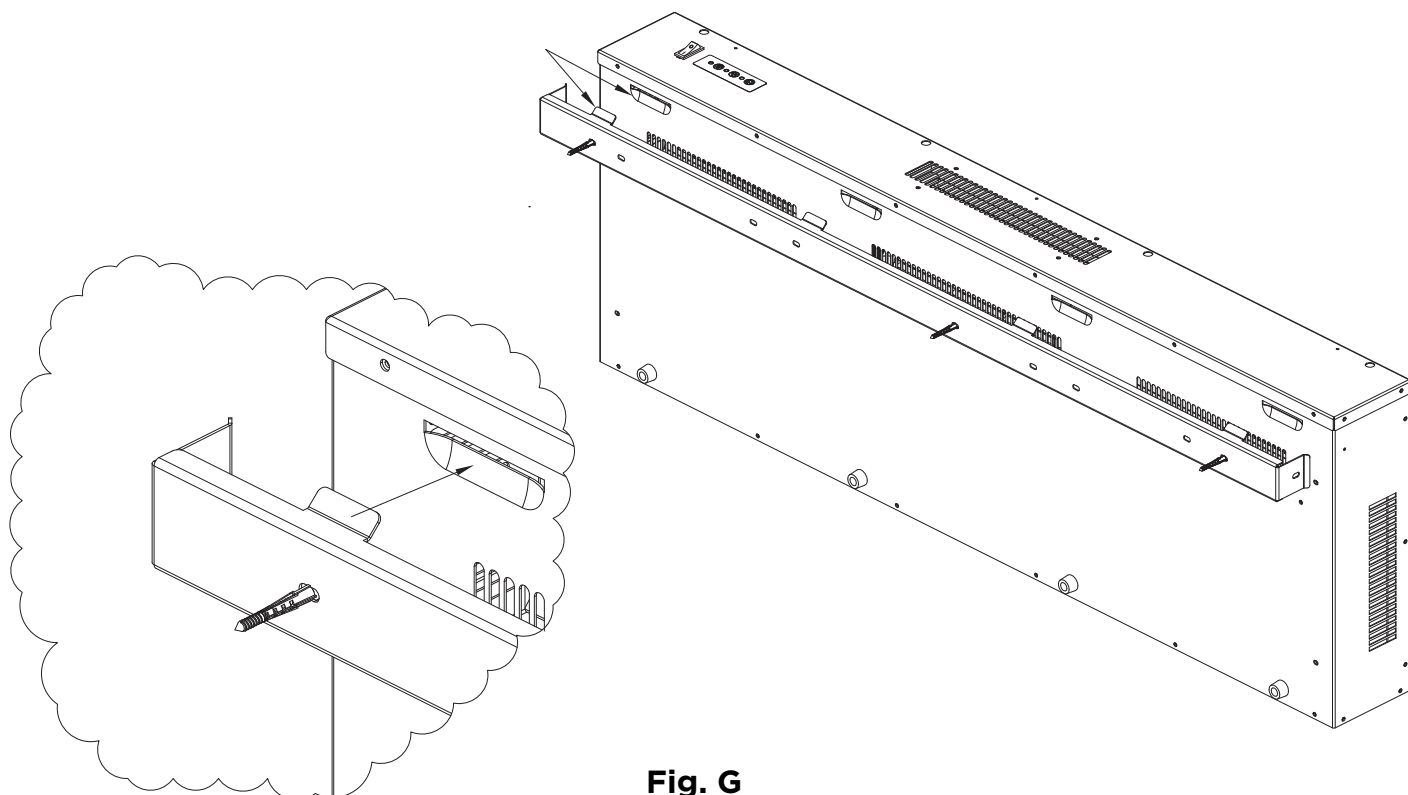


Fig. G

INSTALLATION (suite)

Étape 8 : Fixez le support de montage à la cheminée à l'aide de 2 vis de montage. Voir Fig. H.

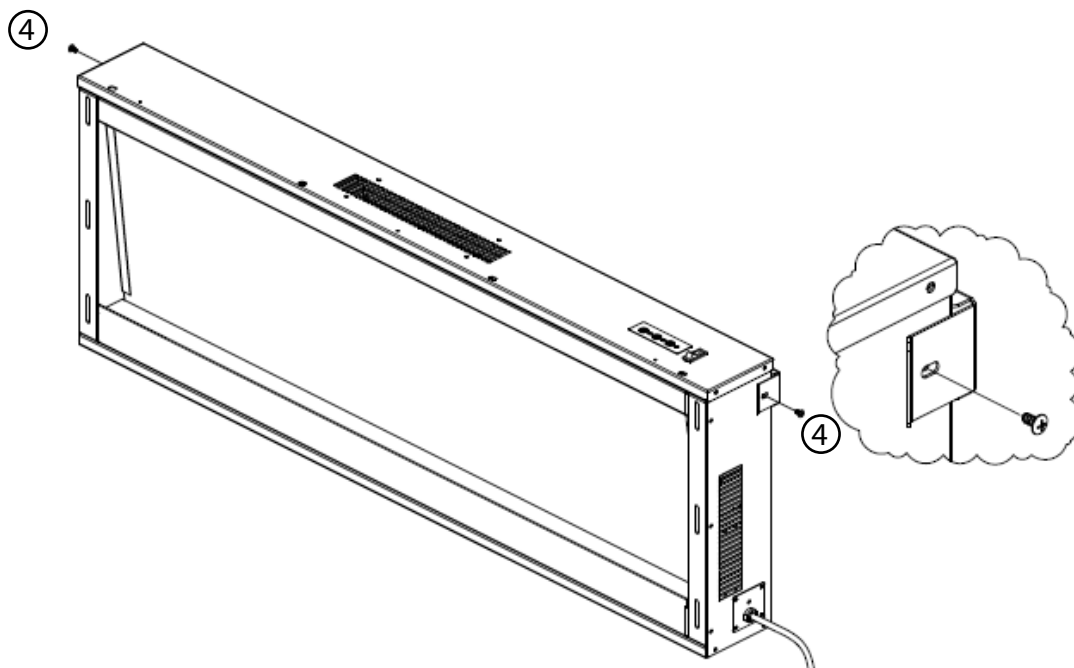


Fig. H

Étape 9 : Placez le verre broyé sur le panneau d'étagère de la cheminée. Voir Fig. I.

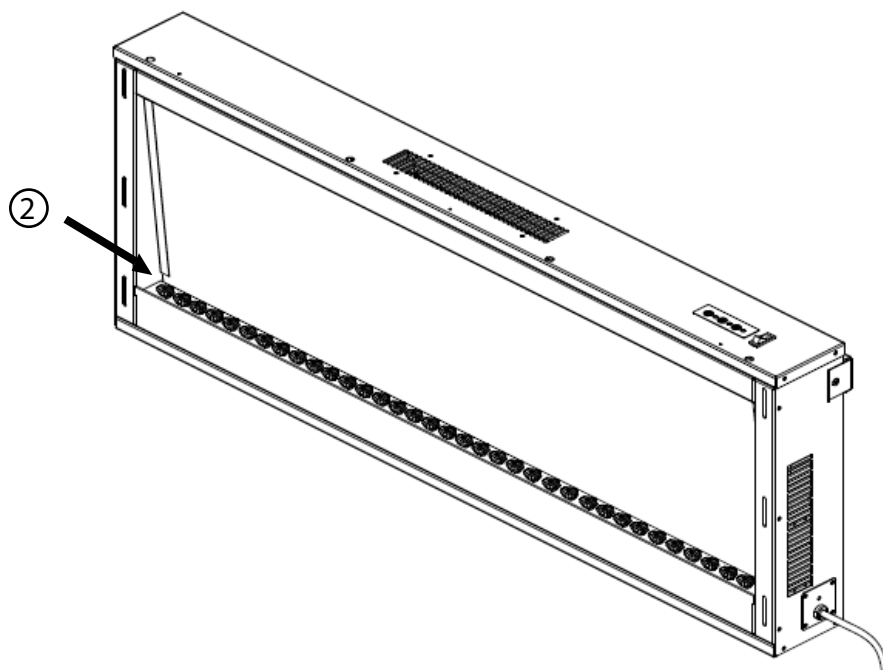


Fig. I

INSTALLATION (suite)

Étape 10 : Tenez correctement le couvercle avant et enclenchez-le avec les 6 fentes situées des deux côtés de la cheminée. Assurez-vous que le couvercle avant a été complètement inséré dans **TOUTES les 6 fentes** avant de le relâcher. Voir Fig. J.

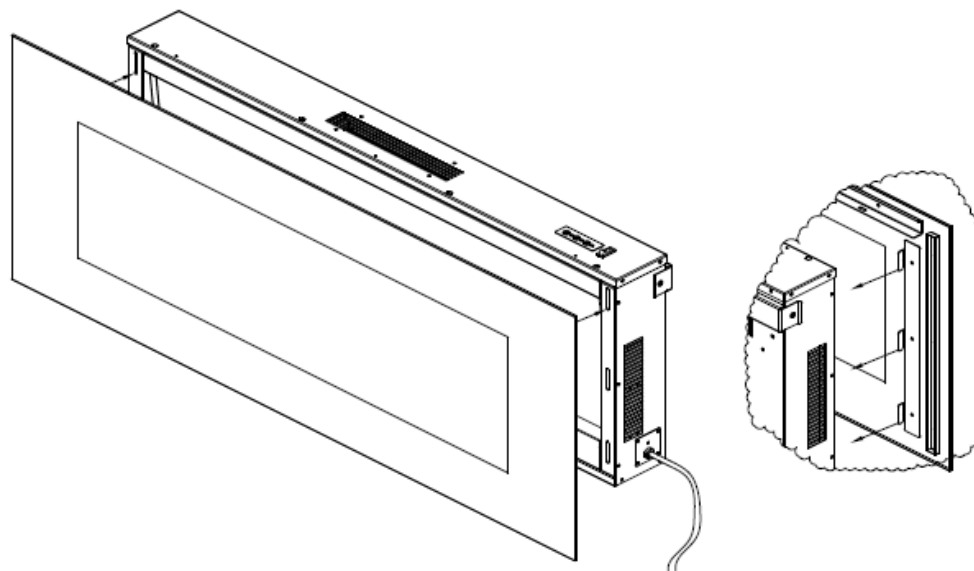


Fig. J

Étape 11 : Fixez le couvercle avant dans la partie supérieure et des deux côtés de la cheminée à l'aide de 10 vis de montage. Voir Fig. K.

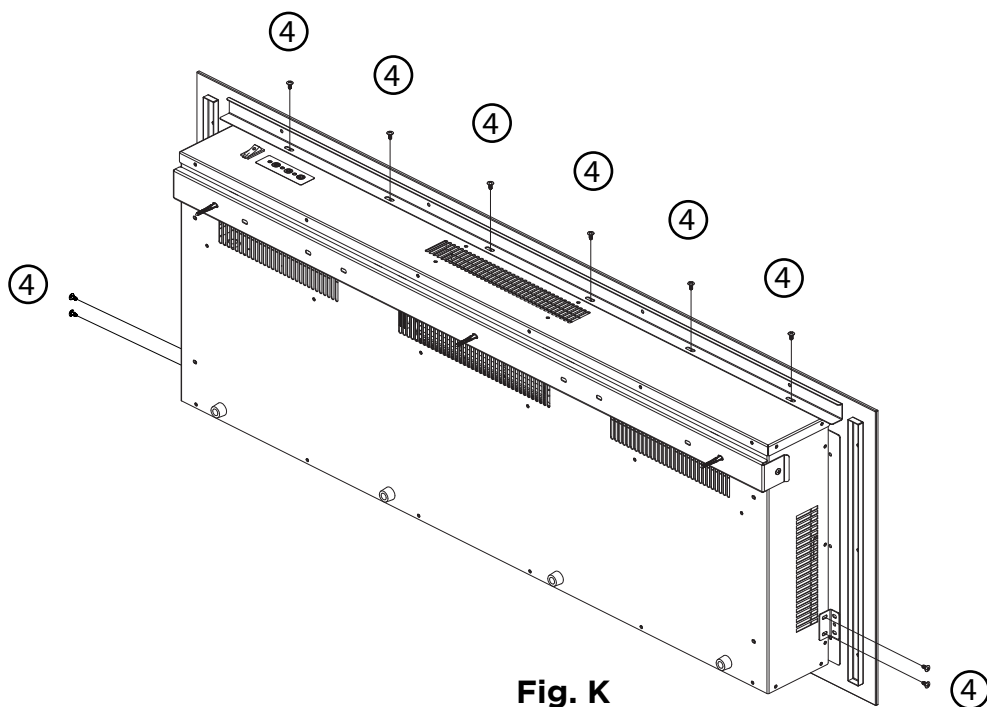


Fig. K

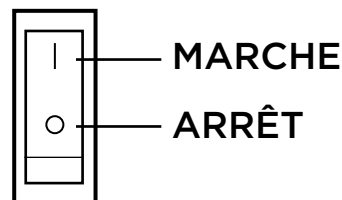
UTILISATION ET FONCTIONNALITÉS

UTILISATION DU PANNEAU DE COMMANDE

Après lecture de toutes les instructions, confirmez que toutes les commandes de la cheminée sont en position OFF (DÉSACTIVÉE). Branchez la cheminée à une prise 15 A/120 Volts. Le panneau de commande est situé dans la partie supérieure droite de la cheminée.

ALIMENTATION PRINCIPALE

Appuyez sur le bouton O/I pour l'alimentation principale.



ALIMENTATION (Veille)

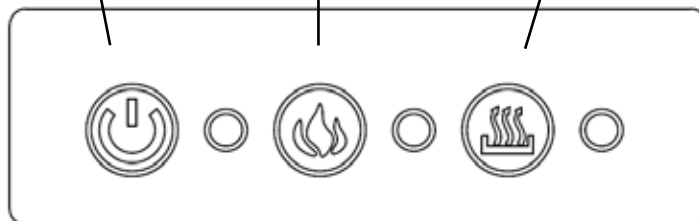
Appuyez une fois sur l'interrupteur, l'appareil est mis sous tension et vous pouvez sélectionner les fonctions suivantes à votre convenance. Appuyez à nouveau sur ce bouton, l'appareil s'éteint et passe en mode Veille.

COULEUR DE LA FLAMME

Modifie la couleur de la flamme.

RÉGLAGE DE CHALEUR

Appuyez une fois sur ce bouton pour un réglage de chaleur faible (700 W) ; appuyez deux fois pour un réglage de chaleur élevé (1 400 W) ; appuyez à nouveau pour désactiver le dispositif de chauffage.



REMARQUE : Lorsque l'interrupteur O/I est en position OFF (ARRÊT), toutes les autres fonctions de la cheminée sont à l'arrêt.

Remarque Lorsque l'appareil est en mode Veille, les braises ne s'éteignent pas immédiatement. C'est une fonctionnalité conçue pour représenter les braises du feu s'éteignant lentement.

Remarque Même si le dispositif de chauffage est à l'arrêt, le ventilateur fonctionne toujours pour éviter toute surchauffe.

SPÉCIFICATIONS TECHNIQUES : Alimentation : 120 V-60 Hz, Puissance nominale : 1 400 W

UTILISATION ET FONCTIONNALITÉS (suite)

UTILISATION DE LA TÉLÉCOMMANDE

Pour toute utilisation de la télécommande, assurez-vous que le Power Switch (I/O) de la cheminée a été allumé.

ALIMENTATION (VEILLE)

Cela permet de mettre l'appareil en position ON/OFF (MARCHE/ARRÊT) lors du mode Veille.

RÉGLAGE DE LA LUMINOSITÉ

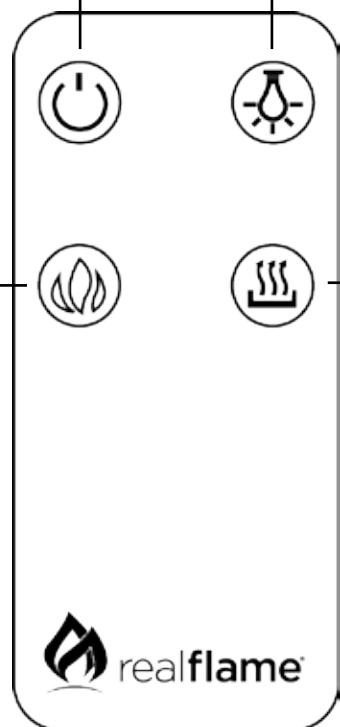
Cela permet d'augmenter ou de réduire le niveau de luminosité de la flamme.

COULEUR DE LA FLAMME

Ce bouton permet de modifier la couleur de la flamme.

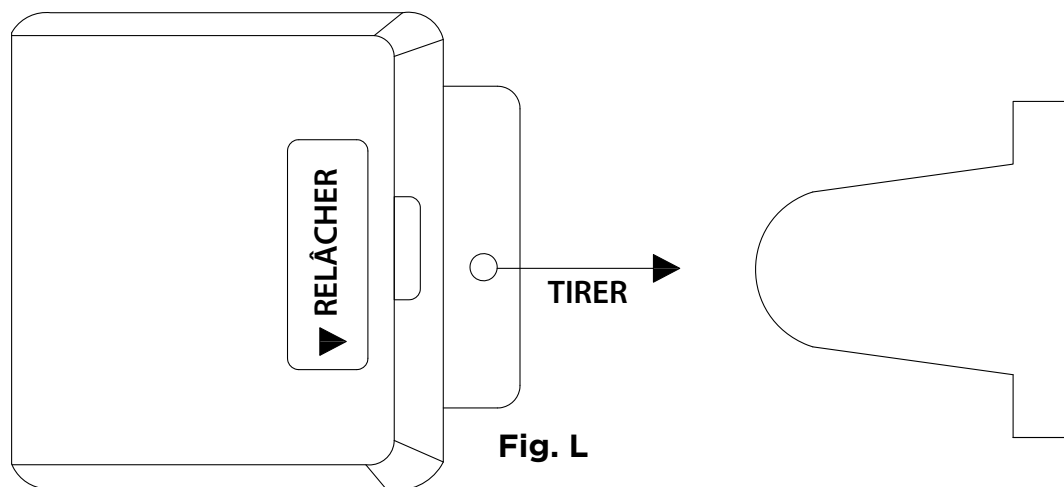
RÉGLAGE DE CHALEUR

Appuyez une fois sur ce bouton pour un réglage de chaleur faible (700 W) ; appuyez deux fois pour un réglage de chaleur élevé (1 400 W) ; appuyez à nouveau pour désactiver le dispositif de chauffage.



REMPACEMENT DE LA PILE DE LA TÉLÉCOMMANDE

La télécommande nécessite une pile 3 V CR2025 au lithium de type bouton (fournie). Retirez la feuille de protection située entre la pile et les contacts pour l'utiliser. Voir Fig. L



UTILISATION ET FONCTIONNALITÉS (suite)

Si la télécommande ne fonctionne plus ou sa plage semble réduite, remplacez la pile en place par une nouvelle.

Remplacez l'ancienne pile par une pile CR2025 et suivez le schéma situé à l'arrière de la télécommande pour installer la nouvelle pile. Voir Fig. M.

1. La compartiment de pile est situé à l'extrémité arrière de la télécommande.
2. Appuyez sur et faites glisser le couvercle du compartiment de pile et retirez l'ancienne pile.
3. Insérez une pile CR2025, tout en vous assurant que la polarité des bornes « + » et « - » correspond à celle du compartiment de pile.
4. Remplacez le couvercle du compartiment de pile.

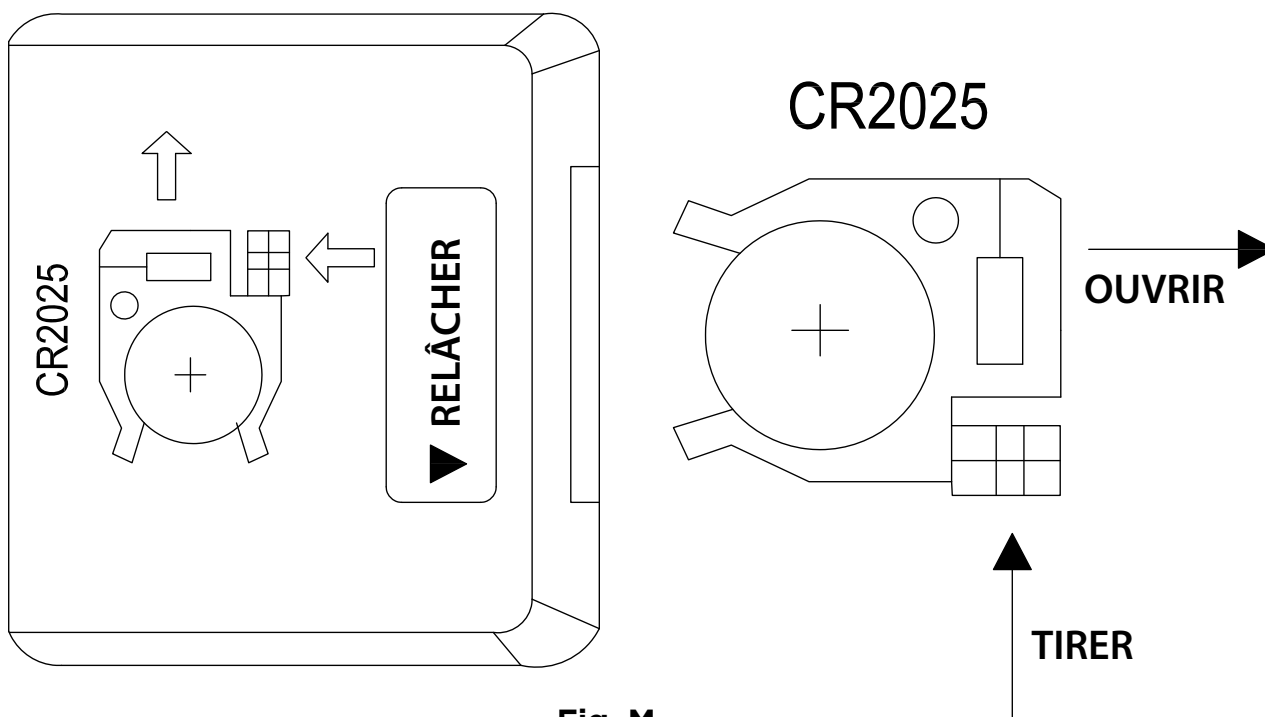


Fig. M

NETTOYAGE ET ENTRETIEN

AVERTISSEMENT

Débranchez l'appareil avant de procéder à toute opération d'entretien ou de nettoyage afin d'éviter tout risque d'incendie, de choc électrique, de blessure ou de décès.

NETTOYAGE Avant de nettoyer l'appareil, mettez d'abord l'interrupteur O/I en position OFF (ARRÊT) et débranchez l'appareil.

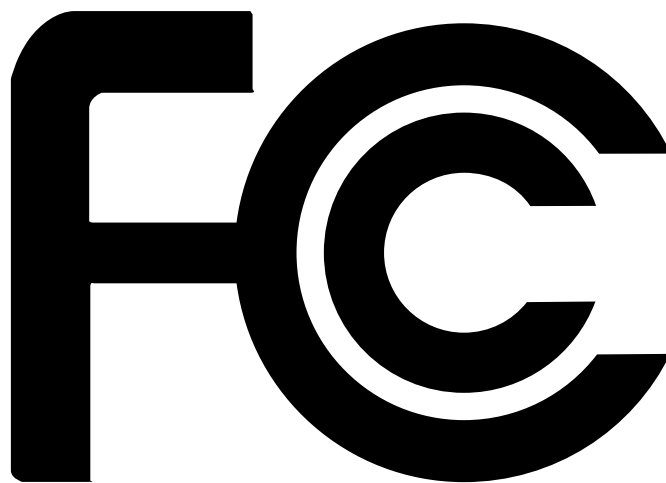
- Éliminez toute poussière de la cheminée à l'aide d'un chiffon sec.
- Utilisez de l'eau chaude et nettoyez-y le chiffon afin d'essuyer les surfaces peintes. N'utilisez des nettoyeurs abrasifs.
- Utilisez un nettoyant pour vitres standard pour la vitre du panneau de la cheminée.

MISE EN GARDE

Lors du transport ou de la conservation, rangez l'appareil et son cordon dans un endroit sec, exempt de toute vibration excessive de sorte à éviter tout dommage.

Diode électroluminescente

Ce foyer est doté d'ampoules à LED (Diode électroluminescente) en lieu et place d'ampoules classiques. Elles génèrent le même niveau de lumière que celui des ampoules classiques ; cependant, elles utilisent une fraction de l'énergie. Les ampoules à LED ne nécessitent pas d'entretien, encore moins un remplacement pendant la durée de vie de l'appareil.



GARANTIE DE REAL FLAME ET POLITIQUE DE RETOUR

Merci de nous avoir fait confiance en vous procurant un de nos produits Real Flame®. Nous sommes fiers de vous avoir comme client! Nous vous suggérons de visiter notre site web www.realflame.com qui vous donnera l'occasion de remplir le plus rapidement et le plus efficacement possible le formulaire d'enregistrement de votre produit.

Complétez le formulaire sur la page arrière de ce manuel pour enregistrer et protéger votre produit!

1	<p>Remplissez le formulaire d'enregistrement du produit sur la dernière page de ce manuel et le poster ou l'envoyer par courriel à aujourd'hui.</p> <p>Garder en pensée que nous pourrions vous contacter dans l'éventualité d'une modification relative à la sécurité de votre produit.</p>	2	<p>Après avoir expédié le formulaire d'enregistrement ci-dessous, garder en lieu sûr les instructions concernant votre produit. Elles contiennent l'information dont vous aurez besoin si vous deviez réclamer des pièces ou recourir à nos services. Le numéro de notre service à la clientèle est le 1 800 654-1704.</p>	3	<p>Lire avec attention votre manuel d'instructions. Il vous fournira l'aide nécessaire à la bonne utilisation et au bon entretien de votre nouveau foyer. Surtout, vous assurer de bien noter votre numéro de série sur la première page de votre manuel d'instructions.</p>
----------	---	----------	---	----------	---

Garantie

La compagnie Real Flame® garantit les foyers sans ventilation Real Flame et ses accessoires de tout défaut (pièces et main d'œuvre) conformément à un usage courant et pour une période de 90 jours suivant la date d'achat. Dans l'éventualité de défectuosité, Real Flame remplacera, selon sa convenance, le produit défectueux ou procédera au remboursement du coût d'achat. Les présentes constituent le seul recours et Real Flame ne reconnaît aucune autre garantie que ce soit, incluant les garanties implicites de la qualité marchande ou d'adaptation à un usage particulier. De plus, Real Flame ne se tient aucunement responsable des dommages consécutifs à un usage abusif où lesdits dommages représenteraient une valeur supérieure au coût du produit sur lequel cette responsabilité tient place. Les foyers électriques offrent une garantie d'un an sur la chambre de combustion électrique seulement.

Politique de retour

Vous pouvez retourner votre produit dans les 90 jours suivant sa réception. Aucun remboursement ne sera accordé pour les retours non autorisés ou incomplets. Tous les produits retournés doivent être complets à 100 %, emballés adéquatement dans leur emballage original et dans une bonne condition de revente. Les produits qui ont été assemblés ou modifiés ne seront pas admissibles à un retour. Tous les articles doivent être retournés dans leur intégralité, ce qui veut dire que tous les éléments inclus doivent être retournés ensemble. Il n'y a aucun retour ou échange pour les articles qui ne sont plus sur le marché. Veuillez entreprendre les procédures de retour de marchandise en contactant premièrement le détaillant ou la compagnie où vous vous êtes procuré l'article Real Flame.

Pièces de rechange

Si une pièce était perdue ou endommagée soit par le manufacturier ou lors de l'expédition, vous pouvez demander un remplacement. Les pièces de rechange ne sont pas offertes pour tous les articles et ne sont données qu'à la discrétion de Real Flame. Nous estimerons chacun des dommages et trouverons une solution, pouvant inclure l'envoi d'un remplacement et la commande d'un nouvel article. Aucun remplacement n'est possible pour les articles qui ne sont plus sur le marché ou pour les articles réemballés (boîte ouverte). Avant de retourner les articles endommagés, veuillez contacter le service à la clientèle de Real Flame au 1 800 654-1704 pour des pièces de rechange. Avant de contacter le service à la clientèle, ayez en main les informations suivantes, se trouvant dans votre manuel d'instructions :

- Le numéro du produit
- Le numéro de la pièce de 4 à 8 chiffres
- Le numéro de code de lot
- L'adresse d'expédition
- Une photo de l'article endommagé peut être demandée. Les photos devront être envoyées à custserv@realflame.com

Réception de commande irrégulière

Si vous recevez un article différent que celui que vous avez commandé, veuillez contacter le service à la clientèle de Real Flame au 1 800 654-1704 dans les 48 heures suivant la réception de la marchandise.

Veuillez consulter le www.Realflame.com pour une vue complète de nos directives et de nos politiques de retour de marchandise.

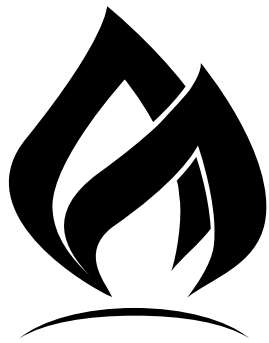
Real Flame®
7800 Northwestern Ave.
Racine, WI 53406

Customer Service: 1-800-654-1704 in USA
Service à la clientèle: 1-800-363-6443 in Canada
custserv@realflame.com

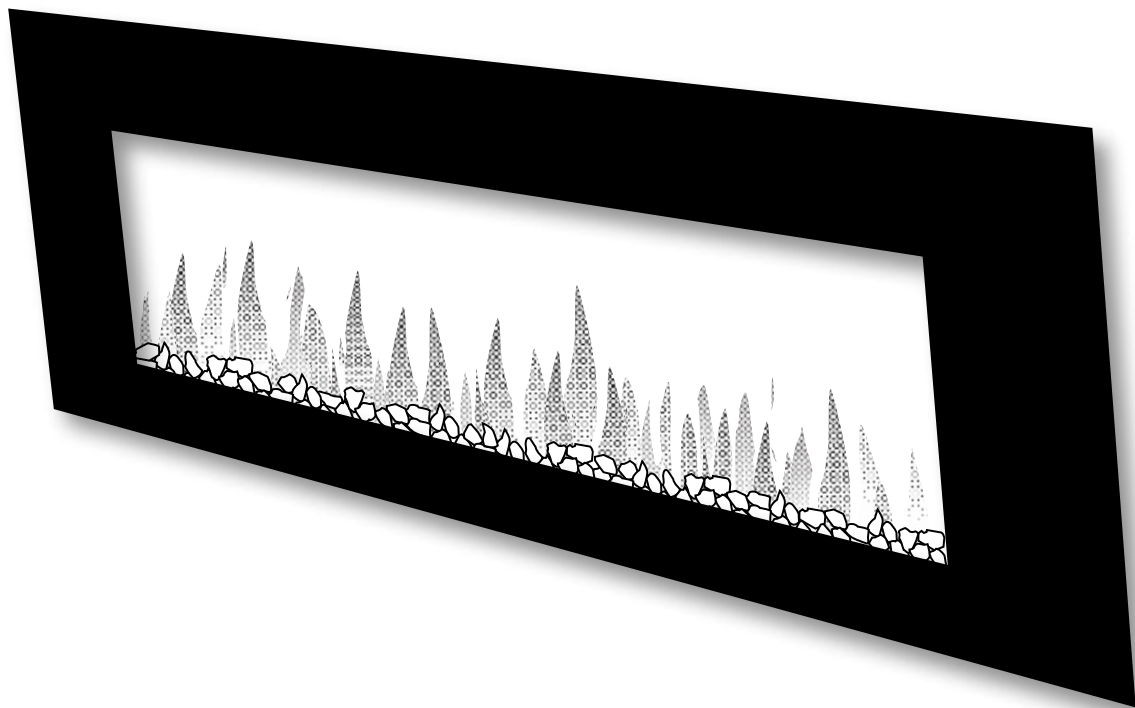


PO: _____

Lot: _____



realflame[®]
fireplaces



**Chimenea de pared DiNatale
de 50 pulgadas**

No. de Modelo 1330

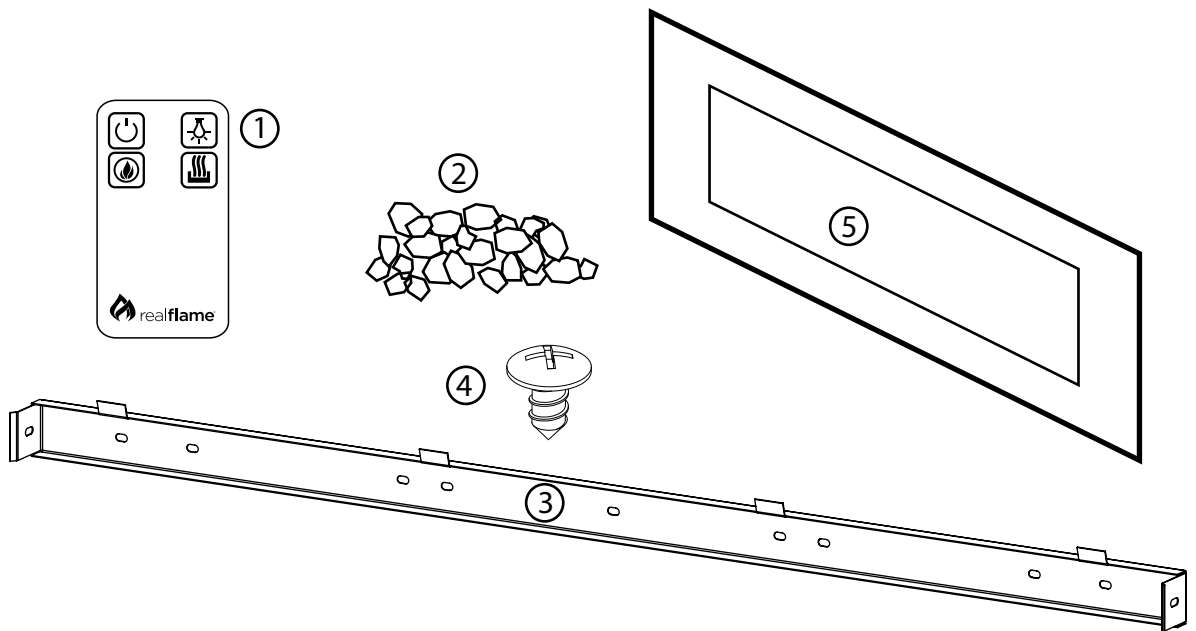
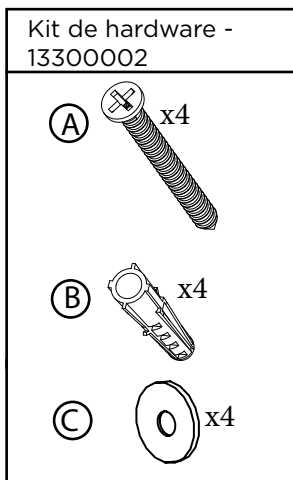
English • Français • Español

ÍNDICE

Lista de Partes	34
Instrucciones importantes sobre seguridad	35
Selección y Preparación del Sitio	37
Instalación	38
Características y Operación	44
Cuidado y Mantenimiento	47
Garantía y Devoluciones	48

LISTA DE PARTES

Nú. Descripción	Cantidad	Nú. Descripción	Cantidad
① Control Remoto	1	④ Tornillos de Montaje <small>(Nota: Adjunto al calefactor eléctrico)</small>	12
② Vidrio Triturado	1 caja (1.4 kg)	⑤ Panel frontal de cristal	1
③ Soporte de Montaje <small>(Nota: Adjunto al calefactor eléctrico)</small>	1		



NOTA Herramientas que necesitará: nivel, taladro eléctrico, brocas [8 mm (5/16 pulgadas)], destornillador Phillips, martillo, gafas de seguridad y guantes.

INSTRUCCIONES IMPORTANTES DE SEGURIDAD

AVISO IMPORTANTE Conserve esta guía para el usuario para consultarla en el futuro.

Siempre que se utilicen equipos eléctricos, deben tomarse precauciones básicas para reducir el riesgo de incendio, choque eléctrico y lesiones físicas. Entre estas precauciones se incluyen las siguientes:


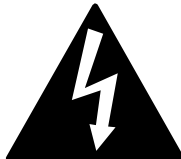
1. Lea todas las instrucciones antes de utilizar este aparato.
2. Durante el uso, el calefactor se calienta. Evite tocar las superficies calientes con la piel descubierta para evitar quemaduras. El reborde que rodea la salida del calefactor se calienta durante el funcionamiento. **Mantenga los materiales combustibles, como muebles, almohadones, ropa de cama, papeles, prendas de vestir y cortinas al menos a 3 pies (0,9 m) de distancia de las partes delantera, posterior y laterales de la unidad.**
3. Se debe actuar con máxima prudencia si el calefactor es utilizado por niños o personas con discapacidades, o cerca de ellos, y cada vez que se deje el equipo en funcionamiento y sin supervisión.
4. Desenchufe el calefactor eléctrico en todos los casos mientras no lo utilice.
5. No ponga en funcionamiento el equipo si posee roturas en el cable o el enchufe, si el calefactor ha estado funcionando mal o si se ha caído o roto de cualquier otra manera. Lleve el calefactor a un centro autorizado de servicio técnico para su revisión, reparación o la realización de ajustes eléctricos o mecánicos.
6. No lo utilice al aire libre.
7. Este calefactor no fue diseñado para su uso en baños, lavaderos ni habitaciones de características similares. Nunca coloque el calefactor en un lugar desde el que pueda caer dentro de una bañera o cualquier otro recipiente con agua.
8. No realice el tendido del cable por debajo de alfombras, muebles ni electrodomésticos. No cubra el cable con alfombrillas, tapetes o materiales similares. Coloque el cable alejado de áreas de alto tránsito, donde nadie se tropiece con él.
9. Para desconectar la unidad, apague el hogar y, a continuación, quite el enchufe del tomacorriente.
10. Conéctelo solamente a tomacorrientes con la conexión a tierra adecuada.
11. No introduzca ni permita la entrada de objetos extraños en las aberturas de ventilación o escape ya que podría ocasionar un choque eléctrico, incendio o la rotura del calefactor.
12. Para evitar un posible incendio, no obstruya la entrada ni la salida de aire de ninguna manera. No lo coloque sobre superficies blandas, como camas, ya que las aberturas podrían quedar obstruidas.
13. Todos los calefactores eléctricos poseen piezas calientes o que generan chispas o arcos eléctricos en su interior. No lo utilice en zonas en las que se empleen o guarden gasolina, pintura o líquidos inflamables, ni en lugares en los que la unidad esté expuesta a vapores inflamables.
14. No modifique el calefactor eléctrico. Utilícelo exclusivamente según se describe en este manual. Cualquier otro uso no recomendado por el fabricante puede provocar incendios, choques eléctricos, lesiones o la muerte.
15. No queme madera u otros materiales en el calefactor eléctrico.
16. No golpee el panel de vidrio.
17. Consulte a un electricista matriculado cada vez que precise nuevos circuitos o tomacorrientes.




Acerca del vidrio


1. Este producto no debe ponerse en funcionamiento en ninguna circunstancia si el panel de vidrio se encuentra roto o astillado.
2. No golpee ni cierre de golpe el vidrio.
3. No use limpiadores abrasivos para limpiar el vidrio.
4. Este producto posee vidrio templado.

INSTRUCCIONES IMPORTANTES DE SEGURIDAD

CONSERVE ESTAS INSTRUCCIONES

 ADVERTENCIA	
	<ul style="list-style-type: none">• Riesgo de choque eléctrico.• No abrir.• Contiene piezas que no pueden ser reparadas por el usuario.


DESCRIPCIÓN DE LAS ADVERTENCIAS	
 NOTA	Procedimientos y técnicas cuya importancia es suficiente para enfatizarlos.
 PRECAUCIÓN	Procedimientos y técnicas que, de no seguirse con cuidado, producen daños al equipo.
 ADVERTENCIA	Procedimientos y técnicas que, de no seguirse con cuidado, exponen al usuario a riesgos de incendio, lesiones graves, enfermedad o muerte.

 **NOTA** Este aparato se ha sometido a pruebas y se ha determinado que cumple con los límites correspondientes a dispositivos digitales de Clase B, de acuerdo con la sección 15 de las normas de la Comisión Federal de Comunicaciones (FCC) de los EE. UU. El objetivo de estos límites es ofrecer protección razonable contra las interferencias perjudiciales en instalaciones residenciales. Este aparato genera, utiliza y es capaz de irradiar energía de radiofrecuencia. Si no se lo instala y utiliza de acuerdo con las instrucciones, puede generar interferencias perjudiciales para la recepción de radio o televisión, lo cual puede confirmarse apagando y encendiendo el equipo. Se recomienda al usuario intentar corregir la interferencia mediante una o más de las siguientes acciones:

- Modificar la orientación o ubicación de la antena receptora.
- Aumentar la separación entre el equipo y el receptor.
- Conectar el equipo a un tomacorriente que no pertenezca al mismo circuito al que está conectado el receptor.
- Consultar al distribuidor o a un técnico de radio/televisión con experiencia para obtener ayuda.

El funcionamiento está sujeto a las dos condiciones siguientes:

- (1) Este dispositivo no debe provocar interferencias y;
- (2) Este dispositivo debe aceptar cualquier interferencia, inclusive las que pudieran provocar un funcionamiento distinto al deseado.

 **NOTA** Requiere un circuito de 15 A y 120 V. Es preferible contar con un circuito exclusivo, pero no es imprescindible en todos los casos. Es necesario un circuito exclusivo si, después de la instalación, el disyuntor se acciona o salta el fusible periódicamente al utilizar el calefactor. La conexión de otros aparatos al mismo circuito puede exceder la capacidad nominal de corriente del disyuntor.

Si tiene alguna duda sobre nuestros productos, comuníquese con el servicio de atención al cliente de Real Flame® al 1-800-654-1704

SELECCIÓN Y PREPARACIÓN DEL SITIO



ADVERTENCIA

Compruebe que, al tenderlo, el cable de alimentación no quede atascado ni apoyado sobre bordes filosos. Compruebe también que el cable de alimentación se conserve o esté fijado de manera de evitar tropiezos o enganches para reducir el riesgo de incendio, choque eléctrico o lesiones físicas.

El cableado del edificio y del tomacorriente debe cumplir con los códigos edilicios locales y otras normas aplicables para reducir el riesgo de incendio, choque eléctrico y lesiones físicas.

No intente conectar nuevos tomacorrientes ni circuitos por su cuenta. Para reducir el riesgo de incendio, choque eléctrico o lesiones físicas, siempre recurra a un electricista matriculado.

Consulte las instrucciones de puesta a tierra en la figura 1. Este calefactor debe usarse a 120 V. El cable posee un enchufe como el que se ilustra en la parte A de la Figura 1. Hay disponibles conectores como el de la pieza C de la ilustración para conectar enchufes de tres espigas con conexión a tierra a receptáculos de dos orificios. El terminal de tierra verde que sobresale del adaptador debe conectarse a masa permanente, por ejemplo, a un tomacorrientes con la conexión a tierra adecuada. No se debe usar adaptador si cuenta con un tomacorriente de tres ranuras con conexión a tierra.

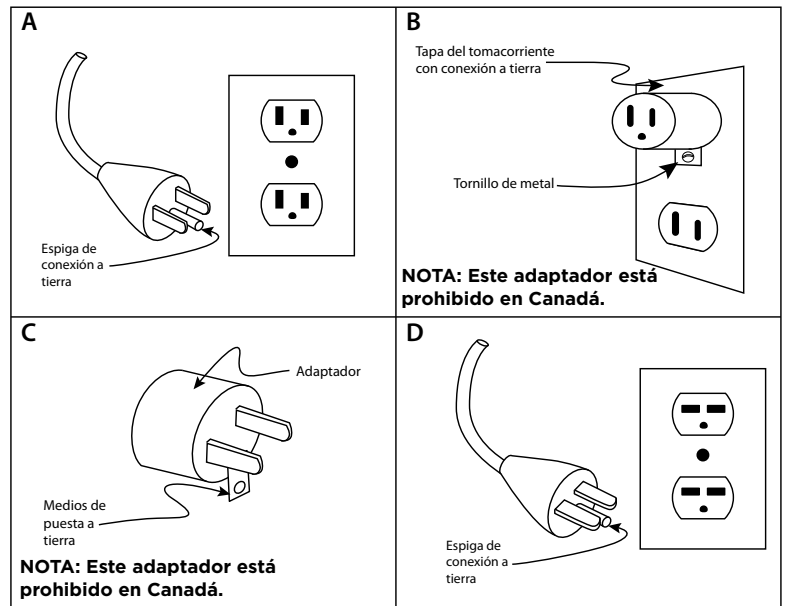


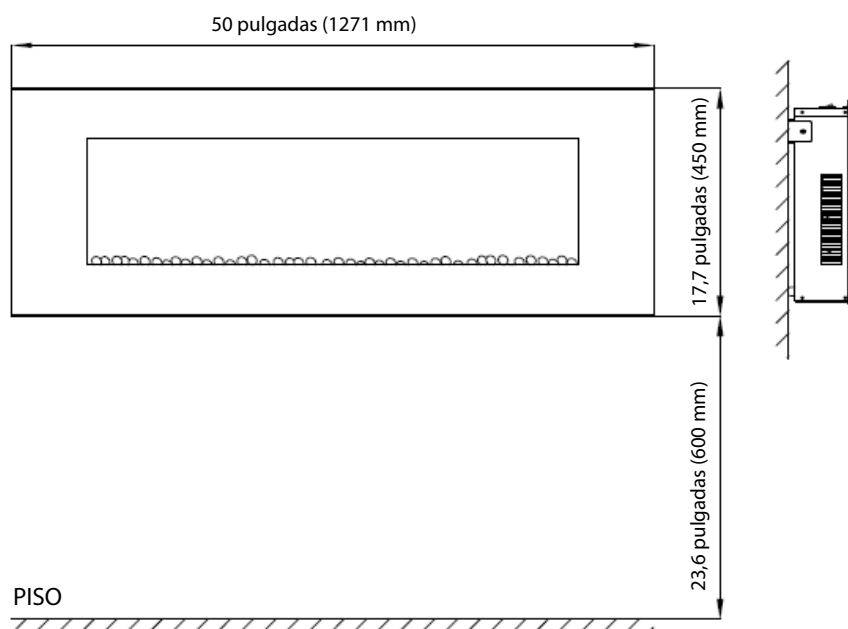
Fig. 1

INSTALACIÓN

⚡ ADVERTENCIA Este artefacto está diseñado para quedar empotrado en una pared a una altura mínima de 12 pulgadas (300 mm). Asimismo la distancia mínima entre la parte superior del calefactor y el techo debe ser de 39 pulgadas (1000 mm). El oporte de la pared debe colocarse en forma horizontal con el cable hacia la parte inferior derecha de la chimenea.

NOTA Para tener una mejor vista de la chimenea, se recomienda una distancia de 23,62 pulgadas (600 mm) entre la base de la chimenea y el piso.

NOTA Se requieren dos personas para realizar la instalación.



Paso 1: Coloque la chimenea sobre una superficie acolchonada. Retire los 6 tornillos de montaje de la parte superior y 2 tornillos de montaje de cada lado de la chimenea (ver Imagen A). Coloque estos tornillos a un lado.

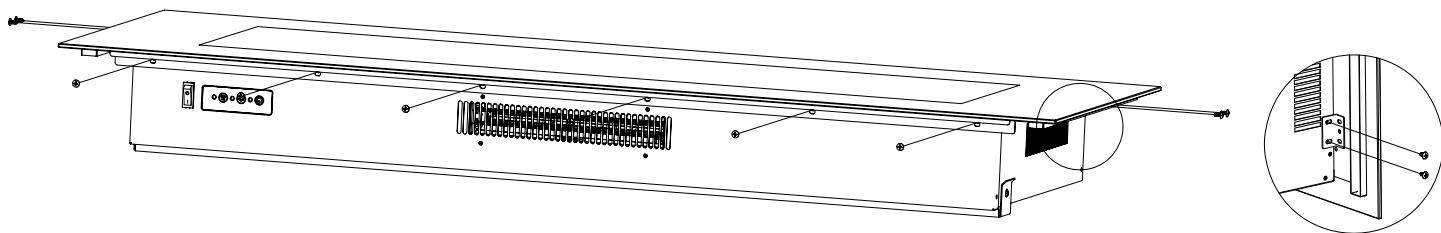


Fig. A

INSTALACIÓN (Cont.)

Paso 2: Retire el vidrio de la parte frontal tal como se muestra en la Imagen B. Tenga cuidado al manipularlo.

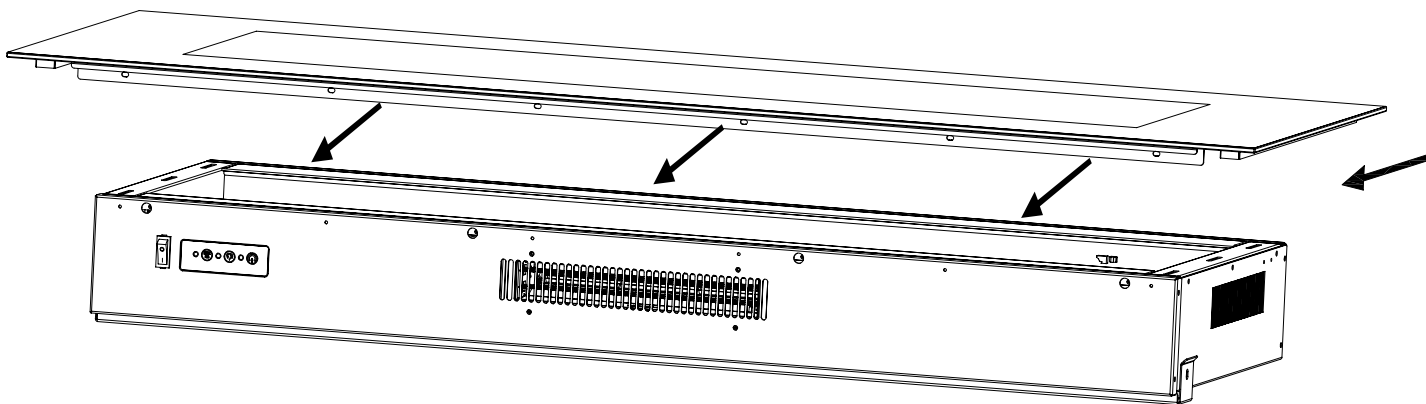


Fig. B

Paso 3: El soporte de montaje se encuentra colocado en la parte posterior de la chimenea. Retire 2 tornillos y separe el soporte. Ver Imagen C.

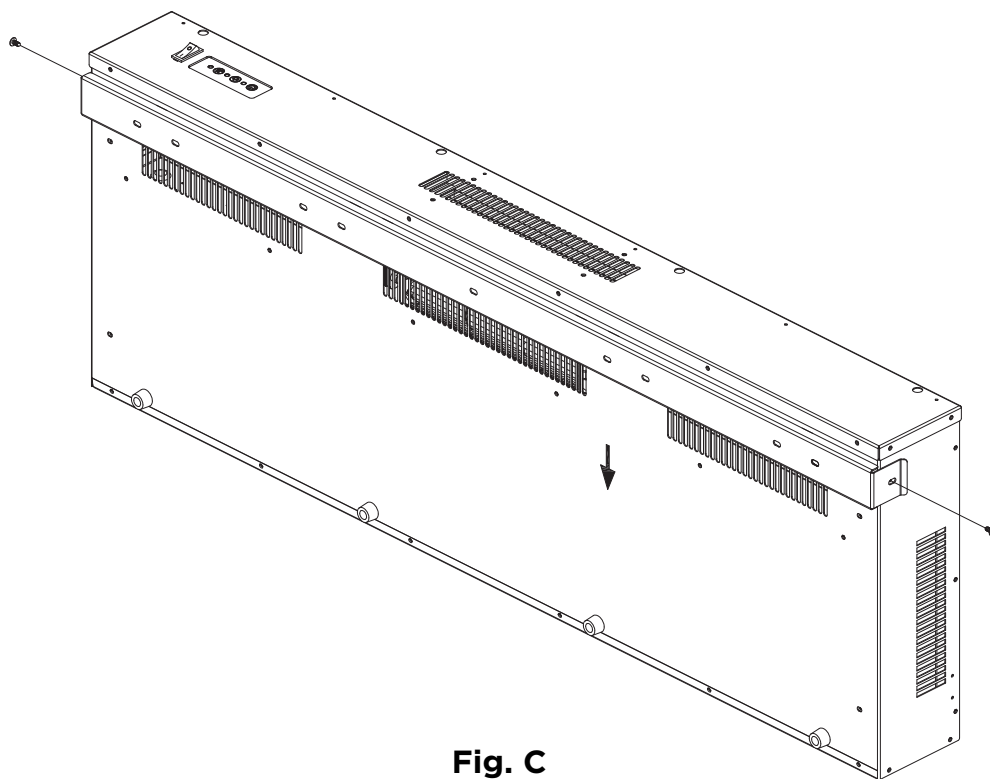


Fig. C

INSTALACIÓN (Cont.)

Paso 4: Fig. D

- Localice el travesaño donde la chimenea será montada.
- Observando el diagrama de altura en la página 6, marque el lugar en un travesaño y perforo un orificio piloto de 1/16" para montar el soporte en un vástago del travesaño. Se requiere un travesaño para montar en forma segura este soporte usando los 2 orificios en el centro del soporte de montaje (3).
- Afirme el soporte de montaje a la pared usando uno tornillo.
- Nivele el soporte y marque los 3 lugares para los orificios restantes.
- Nivele nuevamente el soporte e instale los 3 tornillos para montar el soporte (3).

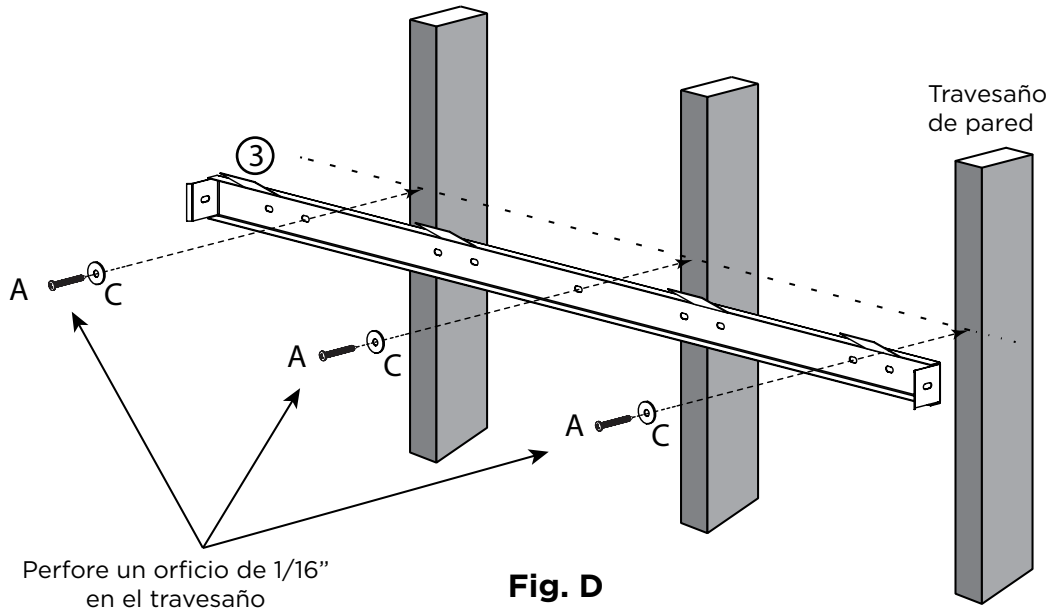


Fig. D

Paso 5: Perfore orificios de 5/16 de pulgada (8 mm) de diámetro y 2,2 pulgadas (56 mm) de profundidad en los puntos marcados. Para los orificios que no hagan tope con pernos, utilice los anclajes de pared incluidos. Coloque los anclajes de pared en los orificios y aplique golpes suaves con el martillo hasta que la brida del anclaje de pared quede al ras de la pared. Ver Imagen E.

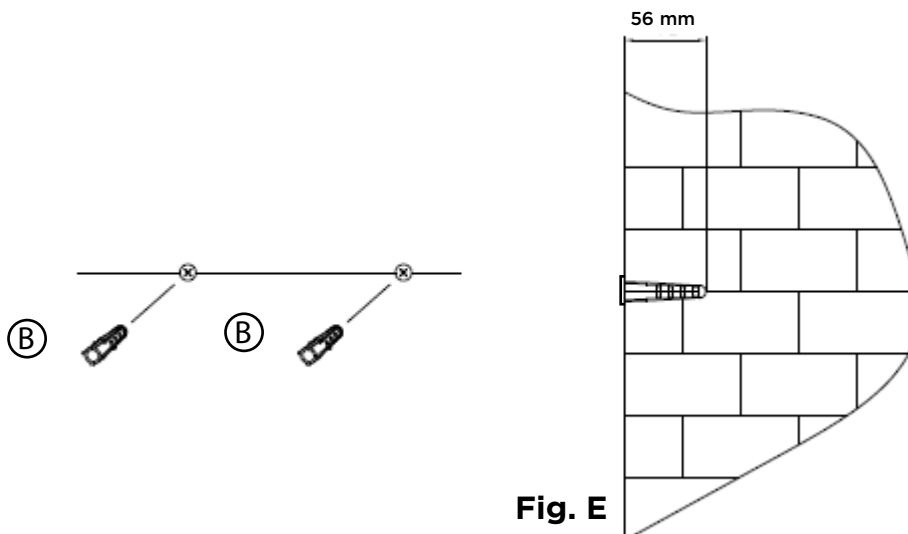


Fig. E

INSTALACIÓN (Cont.)

Paso 6: Asegure el soporte de montaje en los anclajes de pared con los 4 torillos de anclaje, tal como se muestra en la Imagen F.

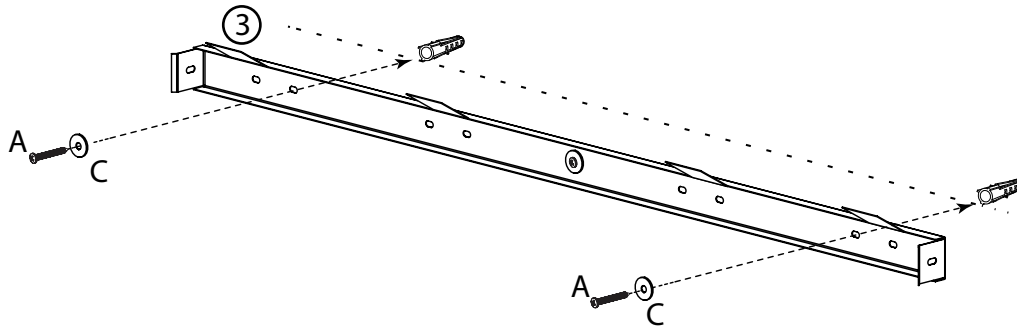


Fig. F

Paso 7: Coloque la chimenea en la pared guiándose con las ranuras del soporte metálico de la parte posterior de la chimenea. Ver Imagen G. Asegúrese de que el soporte de montaje encaje completamente en el soporte metálico de la parte posterior de la chimenea.

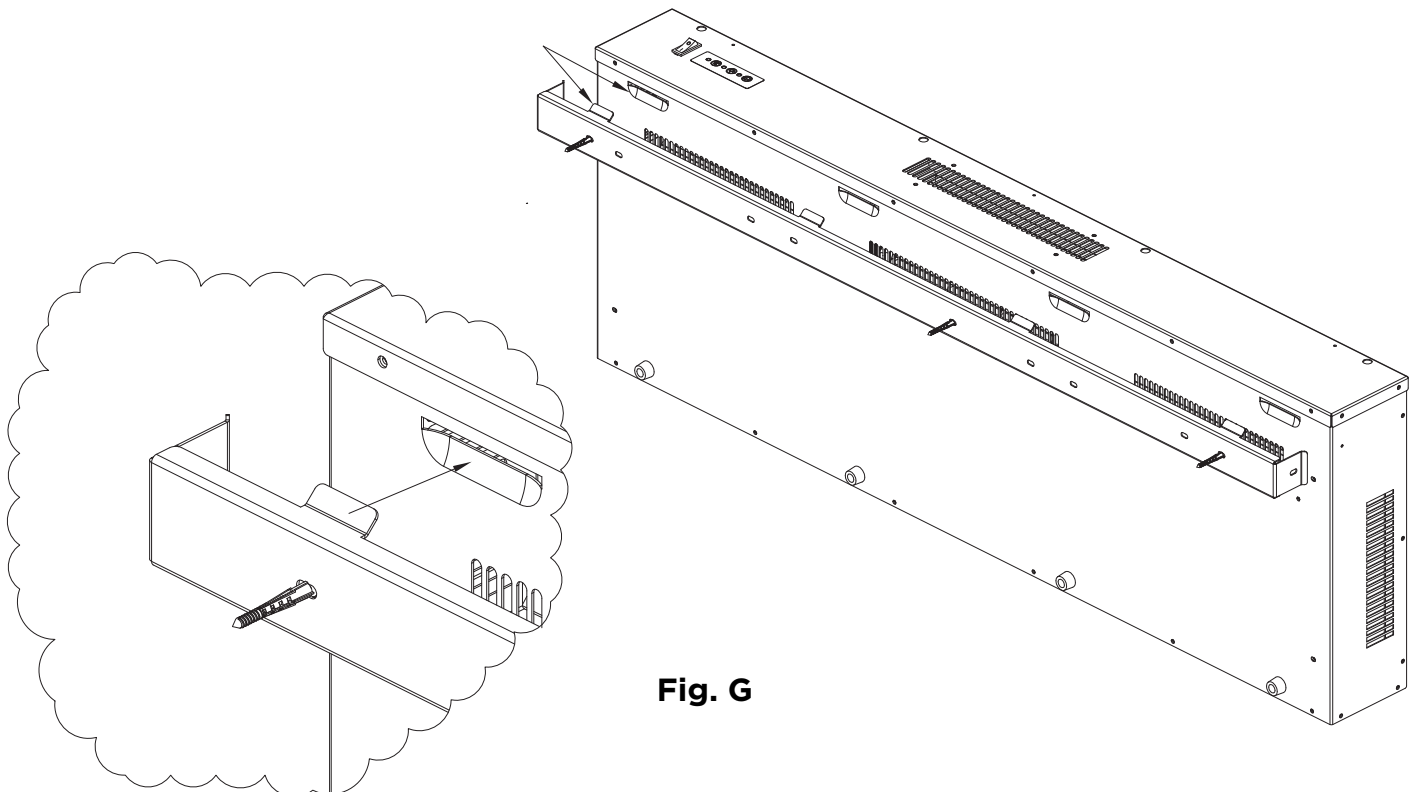


Fig. G

INSTALACIÓN (Cont.)

Paso 8: Asegure el soporte de montaje a la chimenea con 2 tornillos de montaje. Ver Imagen H.

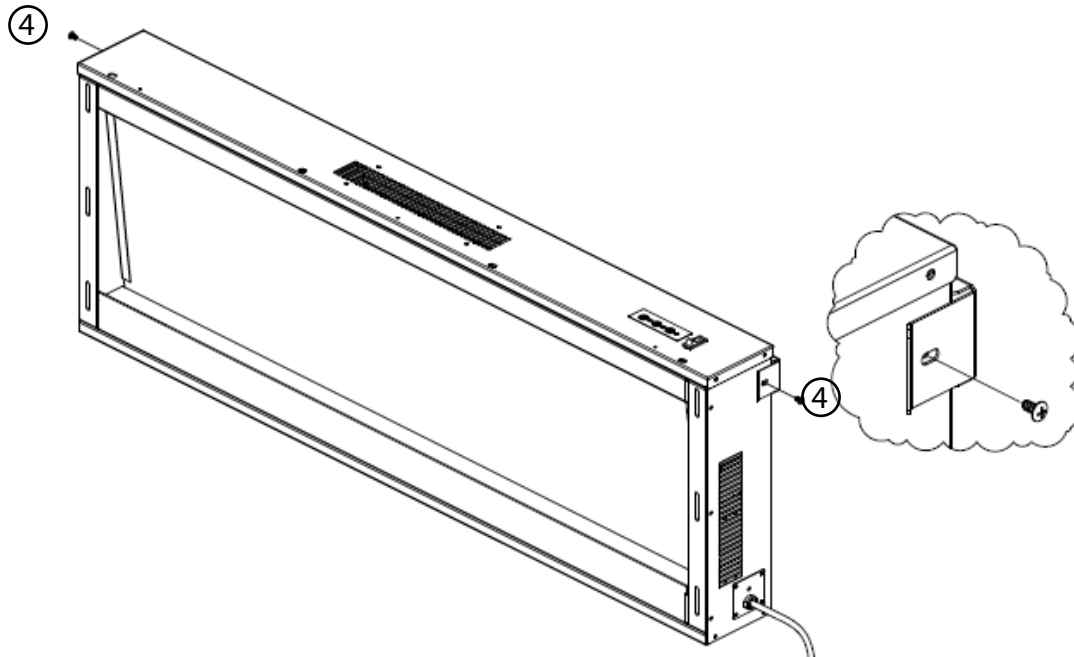


Fig. H

Paso 9: Coloque el vidrio triturado en el panel de la estantería de la chimenea. Ver Imagen I.

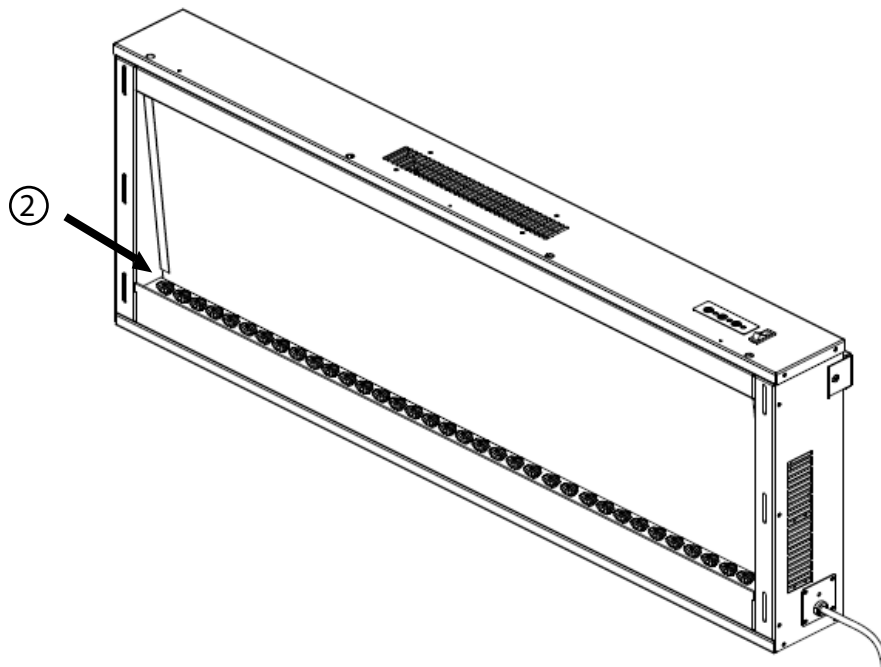


Fig. I

INSTALACIÓN (Cont.)

Paso 10: Sostenga la cubierta frontal firmemente y colóquela en las 6 ranuras que se encuentran a ambos lados de la chimenea. Asegúrese de que la cubierta frontal se encuentra completamente encajada en **LAS 6 RANURAS** antes de soltarla. Ver Imagen J.

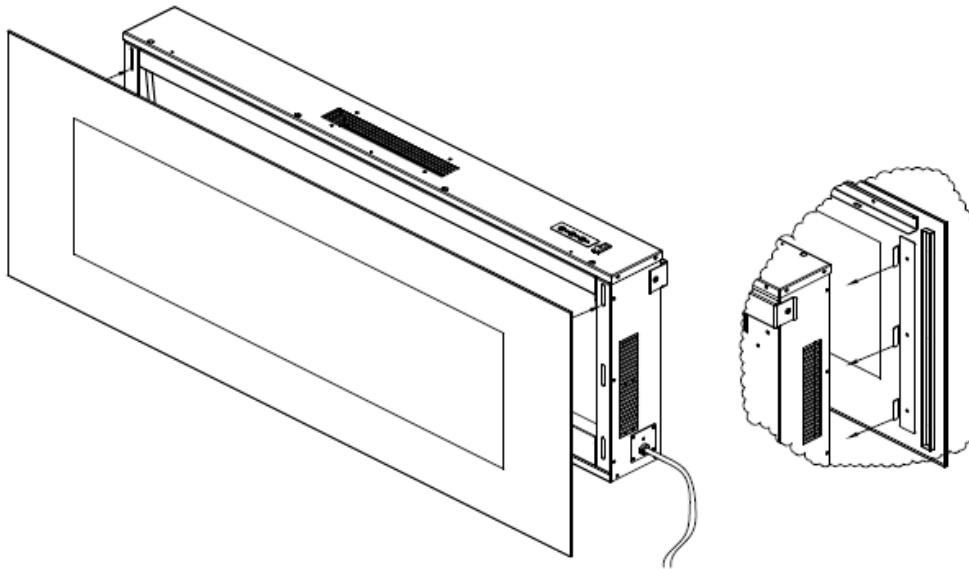


Fig. J

Paso 11: Asegure la cubierta frontal a la parte superior y a ambos lados de la chimenea con 10 tornillos de montaje. Ver Imagen K.

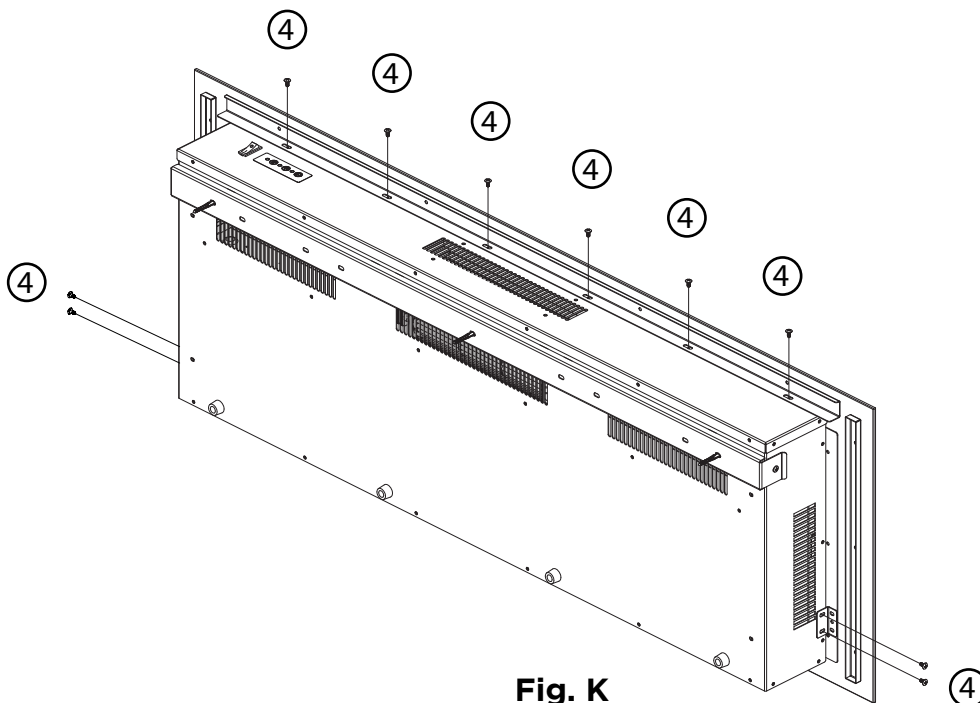


Fig. K

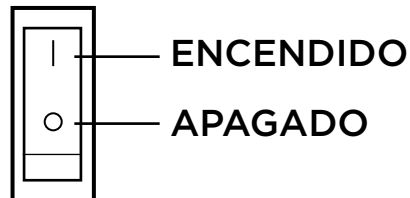
CARACTERÍSTICAS Y OPERACIÓN

OPERACIÓN DEL PANEL DE CONTROL

Luego de haber leído todas las instrucciones, confirme que todos los controles de la chimenea se encuentren en posición de APAGADO. Conecte la chimenea a una toma de 15AMP/120Voltios. El panel de control se encuentra ubicado en la parte superior derecha de la chimenea.

INTERRUPTOR PRINCIPAL

Presione el botón O/I para hacer uso del interruptor principal .



INTERRUPTOR (Inactividad)

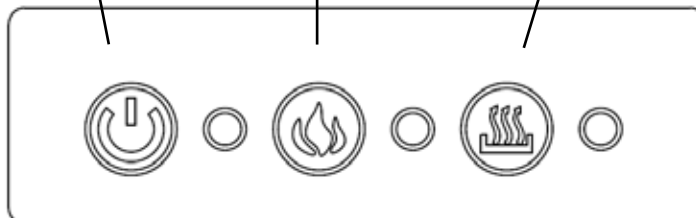
Presione el interruptor una vez. La unidad se encenderá y podrá seleccionar las siguientes funciones según lo desee. Presione este botón nuevamente para que la unidad se apague e ingrese en el modo de inactividad.

COLOR DE LA LLAMA

Permite cambiar el color de la llama.

TEMPERATURA

Presione este botón una vez para activar la temperatura más baja (700W); presiónelo dos veces para pasar a la temperatura más alta (1400W); presiónelo una vez más para apagar el calefactor.



Nota: Cuando el interruptor de O/I se encuentre APAGADO, las demás funciones de la chimenea se detendrán.



NOTA Cuando la chimenea ingrese en el modo de inactividad, las brasas de la llama no se apagarán inmediatamente.



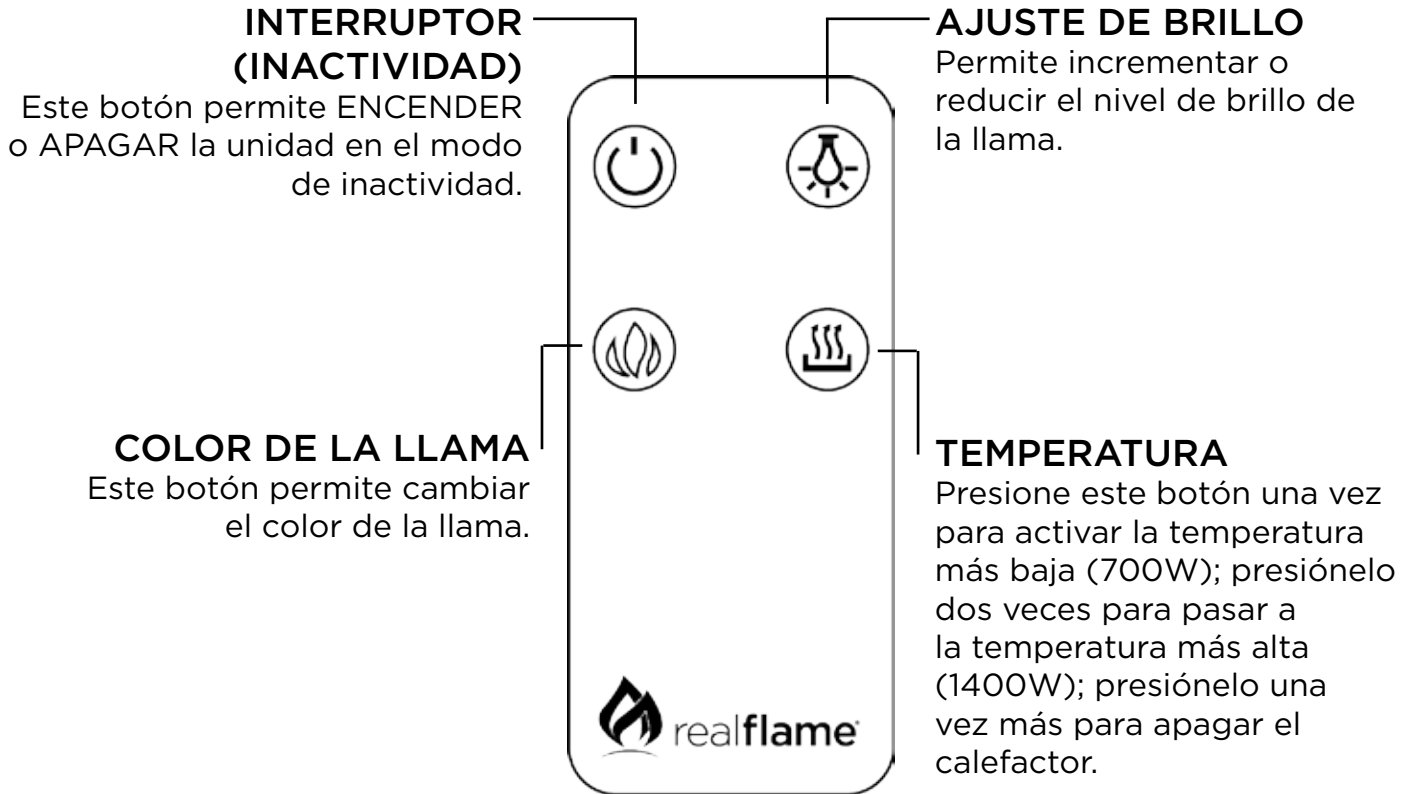
NOTA Esta es una característica diseñada para imitar el modo en que las brasas del fuego se apagan lentamente. Si bien el calefactor se encuentra apagado, el ventilador podría continuar funcionando para evitar el sobrecalentamiento.

ESPECIFICACIONES TÉCNICAS: Fuente de alimentación: 120V~60Hz, Potencia nominal: 1400W

CARACTERÍSTICAS Y OPERACIÓN (Cont.)

OPERACIÓN DEL CONTROL REMOTO

Para utilizar el control remoto, asegúrese de que el interruptor principal (I/O) de la chimenea se encuentre encendido.



CAMBIO DE BATERÍAS DEL CONTROL REMOTO

El control remoto funciona con una batería de ion de litio CR2025 de 3V (que viene incluida)

Para realizar el cambio, retire la película protectora que se encuentra entre la batería y los contactos. Ver Imagen L.

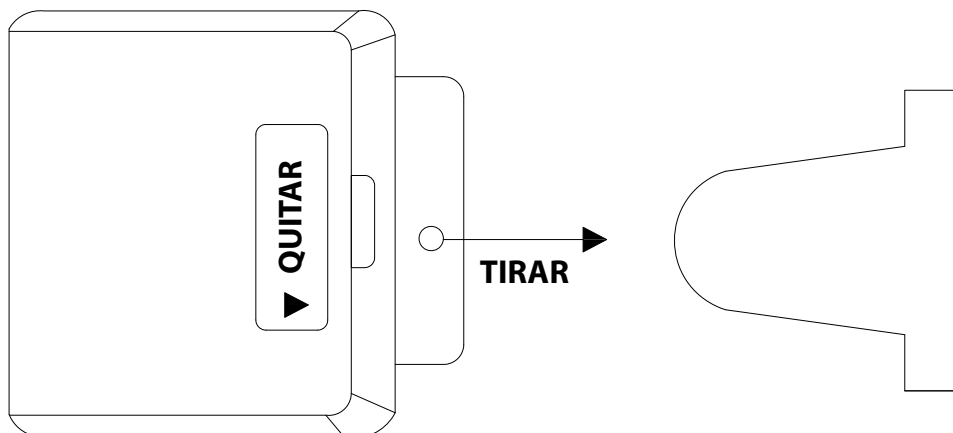


Fig. L

CARACTERÍSTICAS Y OPERACIÓN (Cont.)

Si el control remoto deja de funcionar o su rango de alcance parece reducirse, reemplace la batería por una nueva.

Reemplácela por otra batería CR2025 y siga el diagrama que figura en la parte trasera del control remoto para colocar la nueva batería. Ver Imagen M.

1. El compartimiento de la batería se encuentra ubicado en la parte posterior del control remoto.
2. Presione y deslice la cubierta de la batería para abrirla y quitar la batería vieja.
3. Coloque una batería CR2025, comprobando que las terminales “+” y “-” de la batería coincidan con las indicaciones que figuran dentro del compartimiento.
4. Vuelva a colocar la cubierta del compartimiento de la batería.

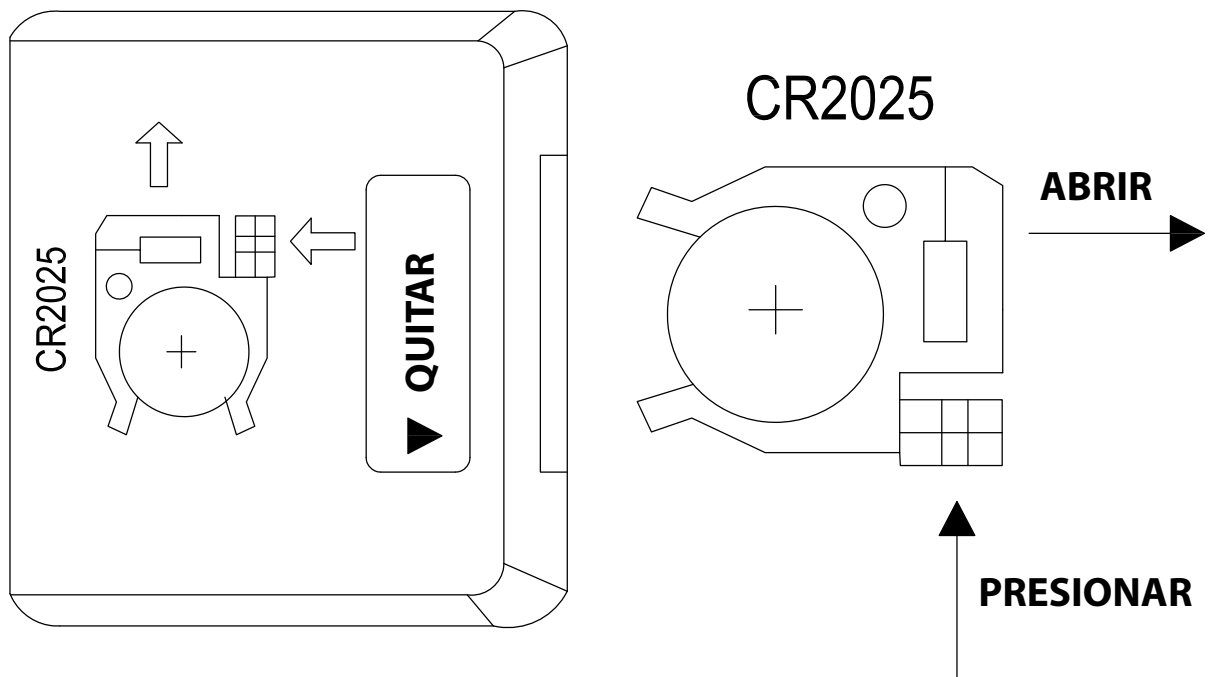


Fig. M

CUIDADO Y MANTENIMIENTO

ADVERTENCIA

Desconecte la unidad de la toma eléctrica antes de realizar cualquier tarea de mantenimiento o limpieza, a fin de reducir el riesgo de incendio, descarga eléctrica, lesiones o muerte.

LIMPIEZA Antes de limpiar la unidad, apague el interruptor O/I y desconecte la unidad de la toma eléctrica.

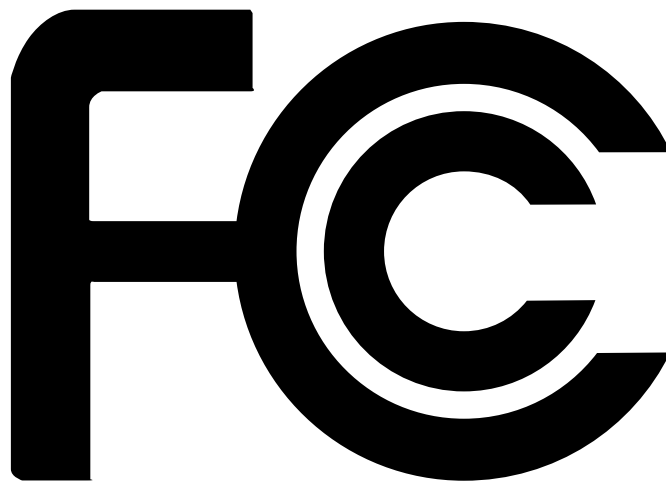
- Para quitarle el polvo a la chimenea, utilice un paño seco y limpio.
- Para limpiar cualquier superficie pintada, utilice agua tibia y un paño limpio. No utilice limpiadores abrasivos.
- Para limpiar el panel de vidrio de la chimenea, utilice un limpiador de cristales común.

PRECAUCIÓN

Al transportar o guardar la unidad y el cable, manténgalos en un lugar seco y libre de vibraciones excesivas. Guárdelos de manera tal que se evite cualquier daño.

Diodo emisor de luz

La chimenea viene con bombillas LED (diodo de emisor de luz) en lugar de bombillas convencionales. Estas bombillas generan los mismos niveles de luz que las bombillas convencionales, pero utilizan una fracción de la energía. Estas bombillas LED no requieren mantenimiento y deberán tener la misma duración que la vida útil del producto.



POLÍTICAS DE DEVOLUCIÓN Y GARANTÍA

Gracias por su compra del producto Real Flame®. Nos enorgullece contarle entre nuestros clientes. Le recomendamos que visite el sitio www.realflame.com. Allí encontrará la manera más rápida y eficiente de registrar su producto.

Complete el formulario de la última página de este manual para registrar y proteger su producto!

1 Complete el formulario de registro del producto en la última página de este manual y electrónico o por correo electrónico en la actualidad. Tenga la tranquilidad de saber que podemos comunicarnos con usted en el caso improbable de que sea necesario realizar una modificación de seguridad.	2 Después de enviar su registro, conserve las instrucciones del producto en un lugar seguro. Estas instrucciones contienen información que necesitará si alguna vez debe solicitar piezas o servicio. Nuestro número de servicio de atención al cliente es 1-800-654-1704	3 Lea atentamente el manual de instrucciones. Lo ayudará a utilizar y cuidar su nuevo hogar correctamente. Recuerde anotar el número de serie en la primera página de las instrucciones.
--	---	--

Garantía

Real Flame® Company garantiza los hogares sin ventilación Real Flame y sus accesorios contra defectos en la fabricación y la mano de obra, en condiciones de uso y servicio normales, durante un período de 90 días desde la fecha de compra. En caso de que surjan estos defectos, Real Flame, a su sola discreción, reemplazará el producto defectuoso o reembolsará el dinero abonado por el producto. Éste es el único recurso y Real Flame niega cualquier otra garantía, incluidas las garantías implícitas de comercialización o aptitud para un fin determinado. Asimismo, Real Flame no será responsable por los daños resultantes que superen el precio de compra del producto sobre el que se basa la responsabilidad. Los hogares eléctricos cuentan con una garantía de un año exclusivamente sobre el hogar eléctrico.

Política de devolución

Puede devolver la compra dentro de los 90 días de haberla recibido. No se realizarán reembolsos en el caso de devoluciones incompletas o no autorizadas. Todos los productos devueltos deben estar totalmente completos, correctamente empacados en su empaque original y en condiciones para ser puestos nuevamente a la venta. No se podrán devolver productos que hayan sido ensamblados o modificados. Se deben devolver todos los artículos en conjunto, es decir que todos los elementos incluidos en el empaque se deben devolver juntos. No se realizarán devoluciones o cambios de elementos discontinuados. Para comenzar el proceso de devolución, comuníquese con la tienda o la compañía donde adquirió su Real Flame.

Piezas de reemplazo

Si se perdió o se dañó alguna pieza durante el envío, puede solicitar un reemplazo. No hay piezas de repuesto para todas las unidades y éstas se entregan únicamente a discreción de Real Flame. Evaluaremos todos los daños y encontraremos una solución, que podría incluir el envío de un repuesto. No hay repuestos para elementos discontinuados o productos vueltos a empacar (cajas abiertas). Comuníquese con el Servicio de atención al cliente del Real Flame al 800-654-1704 para solicitar piezas de repuesto antes de devolver el artículo dañado. Cuando se comunique con el Servicio de atención al cliente, debe tener a su alcance la siguiente información (puede encontrarla en el manual de instrucciones).

- Número de modelo del artículo
- Número de pieza de 4 a 8 dígitos
- Número de código del lote
- Domicilio de entrega
- Es posible que se le solicite una fotografía del artículo dañado. Las fotografías se deben enviar a: custserv@realflame.com

Recepción de un pedido incorrecto

Si recibió un artículo distinto del solicitado, comuníquese con el Servicio de atención al cliente de Real Flame al 800-654-1704, dentro de las 48 horas de haberlo recibido.

Consulte www.Realflame.com para conocer nuestras instrucciones y políticas de devolución completas.

Real Flame®
7800 Northwestern Ave.
Racine, WI 53406

Customer Service: 1-800-654-1704 in USA
Service à la clientèle: 1-800-363-6443 in Canada
custserv@realflame.com

Real Flame®
7800 Northwestern Ave.
Racine, WI 53403

Customer Service: 1-800-654-1704 in USA
Service à la clientèle: 1-800-363-6443 in Canada
custserv@realflame.com

Consumer Product Real Flame® Ownership Registration

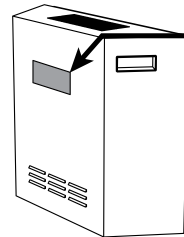
Enregistrement de propriété de produit Real Flame®
 Registro de propiedad del producto de consumo Real Flame®

To activate your warranty complete the form below and mail or email to the following address:

Pour activer la garantie de remplir le formulaire ci-dessous et le courrier ou par courriel à l'adresse suivante:
 Para activar la garantía completa el siguiente formulario y envíelo por correo o correo electrónico a la siguiente dirección:

Real Flame Warranty Dept.
 7800 Northwestern Ave.
 Racine, WI, 53406
 custserv@realflame.com

Model Number / Numéro de modèle / Número de modelo



Model and Serial Numbers can be found on the back panel of the electric fireplace.

Numéros de modèle et de série se trouvent sur le panneau arrière du foyer électrique.

Modelo y número de serie se encuentra en el panel posterior de la cámara de combustión eléctrica.

Serial Number / Numéro de série / Número de serie

Mr./M./Sr.
 Ms./Mme/Srta.
 Mrs./Mile/Sra.
 Miss

First Name
 Prénom
 Nombre

Last Name
 Nom de Famille
 Apellido

Street Address
 Adresse
 Domicilio

Aprt. #
 N° d'app
 dpto.

Country
 Pays
 País

City
 Ville
 Ciudad

État ou Province
 State
 Estado

Zip Code
 Code Postal
 Código postal

Date Purchased/Date de l'achat/Fecha de compra

Month Mois _____ Day Jour _____ Year Année _____
 Mes Mes Día Año

Phone Number
 Téléphone
 Teléfono

_____ - _____ - _____

E-mail Address/
 Courriel/
 Correo electrónico _____

What website or store was this product purchased from?
 À partir de quel site web ou de quel magasin ce produit a-t-il été acheté?
 ¿En qué sitio o tienda adquirió este producto?

Please be advised that as part of our privacy policy we never sell or give your private information to anyone. This information is being used for the sole purpose of product warranty verification.

Soyez assuré que, selon notre politique de confidentialité, nous ne vendrons ou ne donnerons jamais vos renseignements confidentiels à qui que ce soit. Ces informations ne seront utilisées qu'aux seules fins de vérification de garantie de produit.

Tenga en cuenta que nuestra política de privacidad nos impide vender o entregar su información privada a terceros. Esta información se utiliza con el único fin de verificar la garantía del producto.