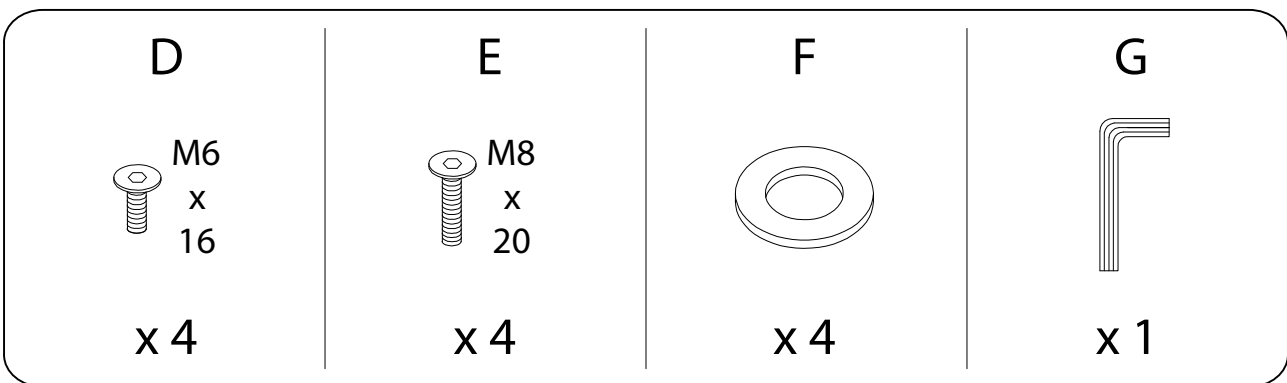
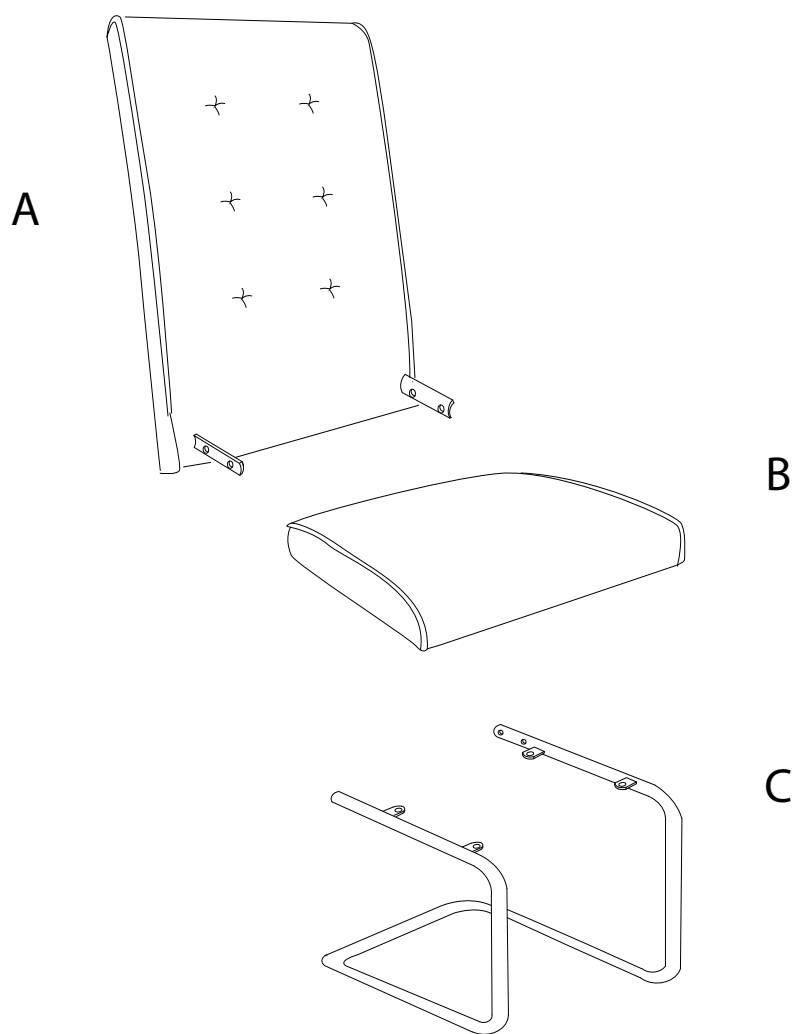
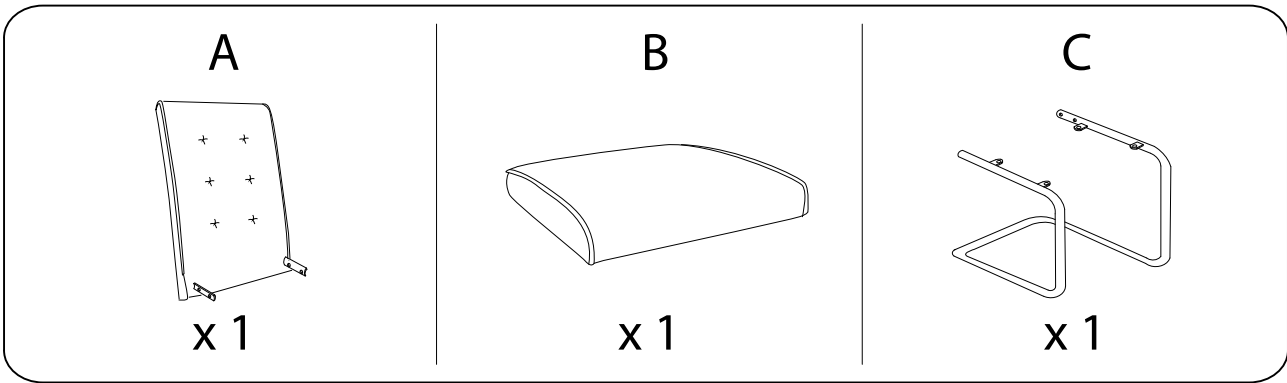


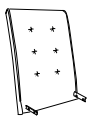
Assembly instructions for the chair base:

- Warning:** Do not use a power drill. Use the provided L-shaped bracket.
- Warning:** Do not use a screwdriver. Use the provided square block.
- Time:** 15 minutes.
- Personnel:** 1 person.



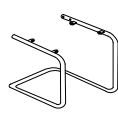
1

A



x 1

C



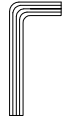
x 1

E

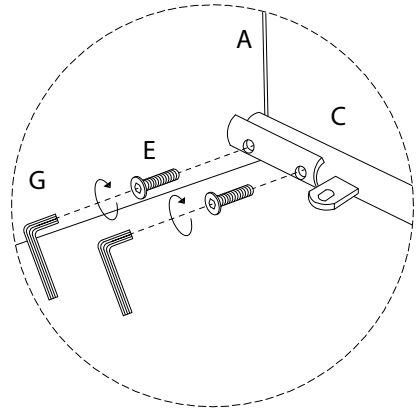
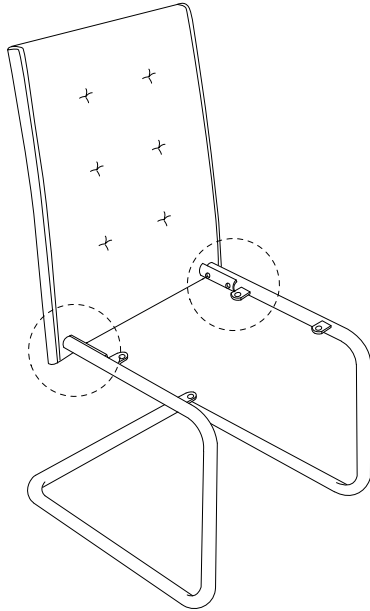


x 4

G

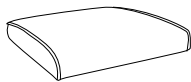


x 1



2

B



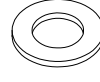
x 1

D



x 4

F



x 4

G



x 1

