

**INSTRUCTION MANUAL ENCLOSED**

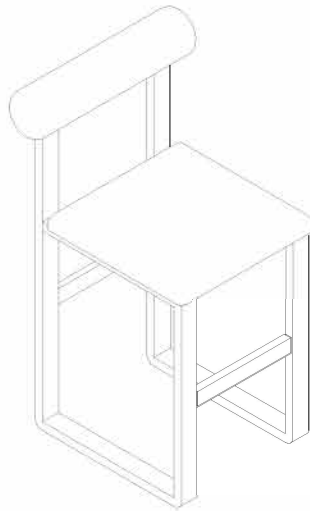
**ATTENTION**

**IF YOU HAVE ANY PROBLEMS OR QUESTIONS, EMAIL OR CALL  
CUSTOMER SERVICE BEFORE YOU RETURN THIS PRODUCT TO THE  
STORE WHERE IT WAS PURCHASED.**





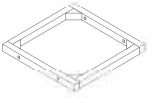









**\*\*When emailing Customer Service, please include your Order Number and platform  
of purchase in the email subject for quicker assistance.**

# INSTRUCTION MANUAL ENCLOSED

## INDOOR COUNTER BAR STOOL ASSEMBLY INSTRUCTION



PARTS LIST			PARTS LIST		
Parts	Description	Quantity	Parts	Description	Quantity
<b>PARTS</b>			<b>SPARE PART</b>		
A	LEFT CHAIR LEG	1	H	BOLT 1/4" x 1-3/4"	1
B	RIGHT CHAIR LEG	1	I	BOLT 1/4" x 1"	1
C	CUSHION	1	J	SPRING WASHER 1/4 "	1
D	PILLOW	1	M	FLAT WASHER 1/4 "	1
E	SEAT FRAME	1	N	SCREW #8 x1-3/4"	1
F	FRONT STRETCHER	1			
G	BACK STRETCHER	1			
<b>HARDWARE</b>					
H	BOLT 1/4" x 1-3/4"	8			
I	BOLT 1/4" x 1"	6			
J	SPRING WASHER 1/4 "	8			
K	FLAT WASHER 1/4 "	8			
L	ALLEN KEY #M4	1			
M	METAL PLATE	2			
N	SCREW #8 x1-3/4"	4			

A  x1	B  x1	C  x1	D  x1
E  x1	F  x1	G  x1	H  x8      1/4" x 1-3/4"
I  x6      1/4" x 1"	J  x8      Ø1/4	K  x8      Ø1/4	L  x1      #M4
M  x2      100*25*2mm	N  x4      #8 x1-3/4"		

**PLEASE READ AND FOLLOW ALL SAFETY TIPS**

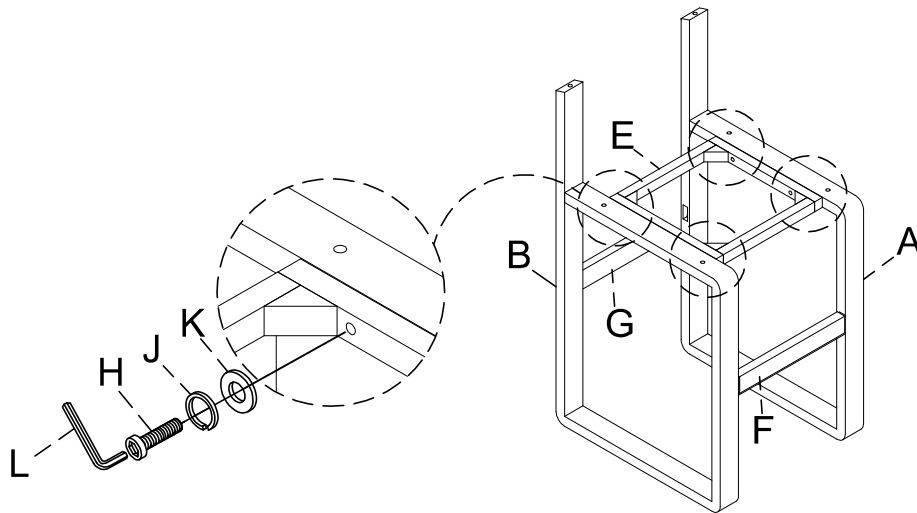
**GETTING STARTED**

1. Before assembly, CAREFULLY use scissors or utility knife to cut and unwrap all parts. Make sure you do not discard the hardware.
2. Make sure that you have all the parts listed. If you are missing any parts, please email us. Please identify the parts you need and model number. Make sure to include your name and address.
3. Please include your **Order Number** and **platform of purchase** in the email subject, and one of our customer service representative will get back to you.

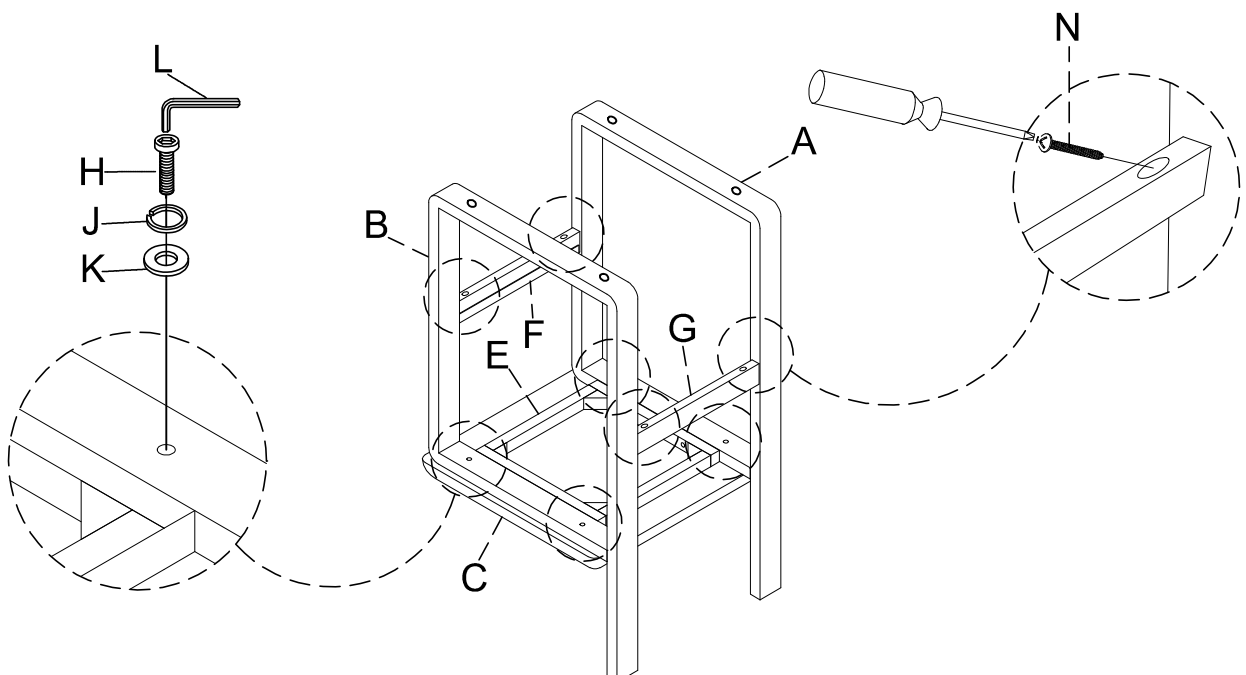
**Warm Tips:**

1. The plastic covers on some metal parts are just for product protection. Please remove it before assembly.
2. Please follow the sequence of A-I during assembly.
3. Do not tighten the screws until all of them are in right positions.

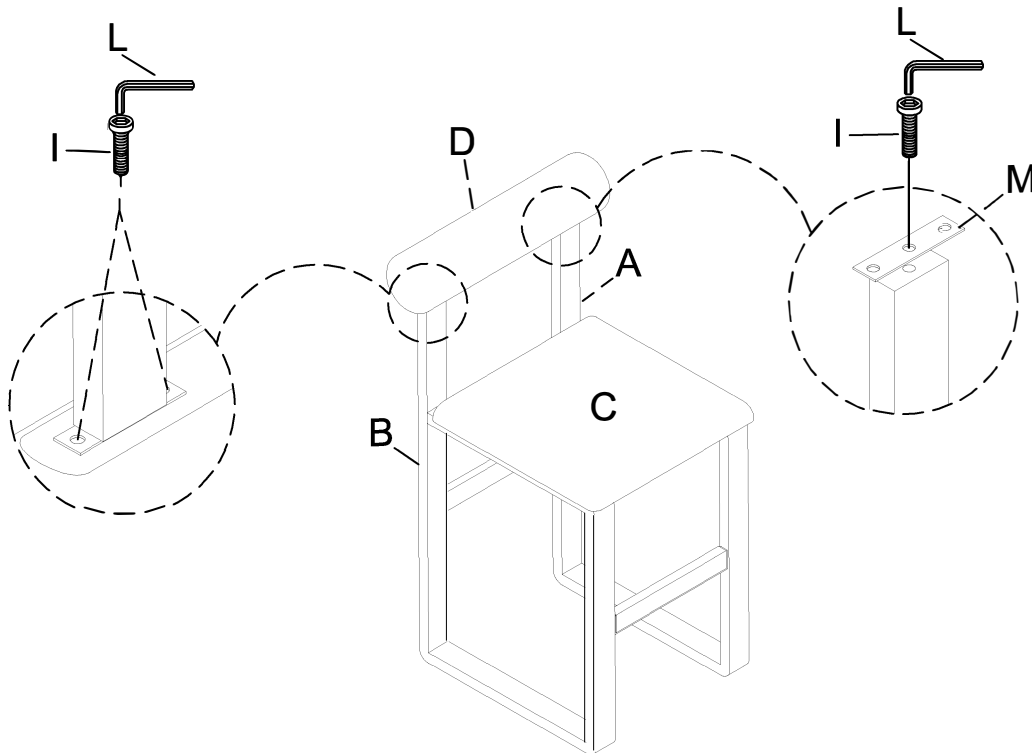
- ① Insert the front stretcher (F) and back stretcher (G) with the chair leg (A)&(B) . Assemble the seat frame (E) to the chair leg (A) & (B) . By using allen key (L) with hardware H,J, and K. It should have 4pcs H & 4pcs J & 4pcs K fastened .  
\*\*Attention: DO NOT TIGHTEN THE BOLTS.



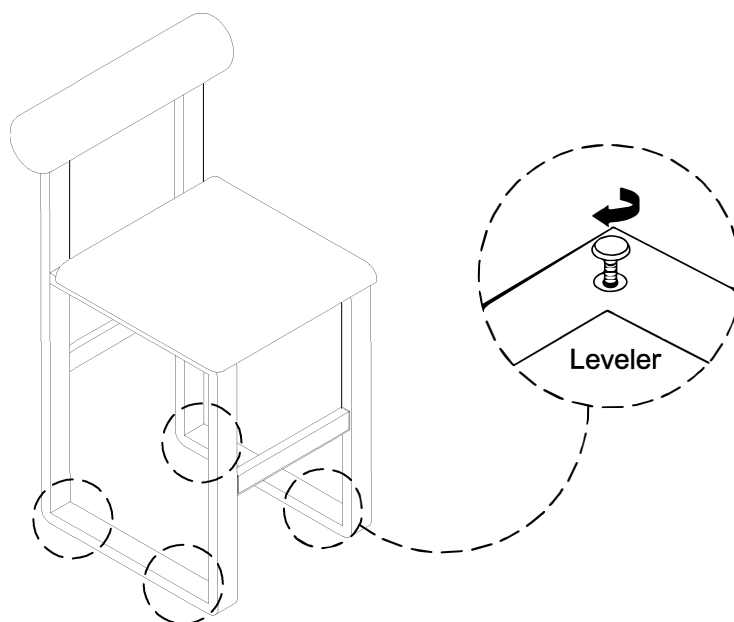
- ② Reverse the chair and put it on the ground . Assemble the cushion (C) with the chair leg (A) & (B), by using Allen Key (L) with hardware H, J, and K .Then by using screw drivers (not provided ) with hardware N. It should have 4pcs H & 4pcs J & 4pcs K & 4pcs N fastened .  
\*\*Attention: DO NOT TIGHTEN THE BOLTS.



- ③ Assemble metal Plate (M) with the chair leg (A) & (B) by using Allen Key (L) with hardware I. Then assemble the pillow (D) with the metal Plate (M), by using Allen Key (L) with hardware I. It should have 6pcs I & 2pcs M fastened .  
\*\*Attention: DO NOT TIGHTEN THE BOLTS.



To level the chair, stand the chair on a flat surface and tighten all the bolts by using Allen Key (L) .



You have completed assembling the furniture - enjoy!